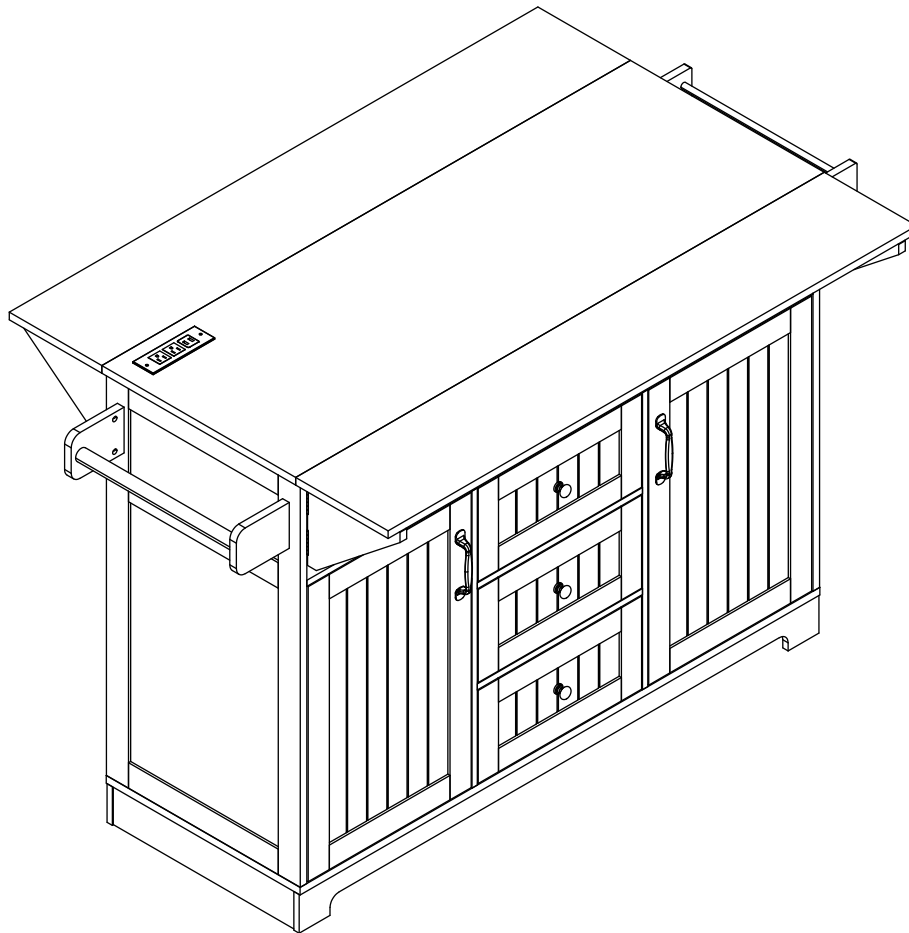


# Kitchen Island Carts

Assembly Instructions - Please keep for future reference



## Dimensions

Width-53.9inch

Depth-17.7inch+8.1inch+8.1inch

Height-35.8inch

**Important – Please read these instructions fully before starting assembly**



# Safety and Care Advice

**Important – Please read these instructions fully before starting assembly**

- Check you have all the components and tools listed on the following pages.
- Remove all fittings from the plastic bags and separate them into their groups.
- Keep children and animals away from the work area, small parts could choke if swallowed.
- Make sure you have enough space to layout the parts before starting.

- During assembly do not stand or put weight on the product, this could cause damage.
- Assemble the item as close to its final position (in the same room) as possible.
- Assemble on a soft level surface to avoid damaging the unit or your floor.
- Parts of the assembly will be easier with 2 people.



power drill is set on a low torque setting.

- To reduce the likelihood of damaging your product please ensure that your

## Care and maintenance

- Only clean using a damp cloth and mild detergent, do not use bleach or abrasive cleaners.

- From time to time check that there are no loose screws on this unit.

- This product should not be discarded with household waste. Take to your local authority waste disposal centre.

## Handy Hints

- Assemble all parts and bolts loosely during assembly, only once the product is complete should you fully tighten the bolts

- Regularly check and ensure That all bolts and fittings are tightened properly.

## WARNING

**In order to help prevent overturning – please follow these instructions**

To help prevent product toppling over please follow the below steps:-

Use the anti tip strap or wall fixing method provided (if applicable)  
Do not allow children to climb or hang on the furniture  
Do not open more than one drawer at a time  
Do not place heavy items in the top drawers  
Do not place heavy items on top of the furniture, unless the furniture has been designed for this purpose

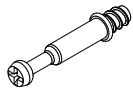

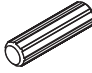

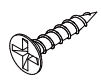
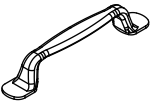

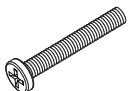

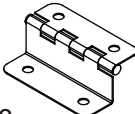
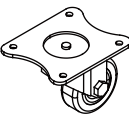
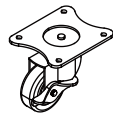

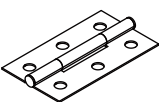
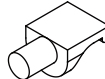

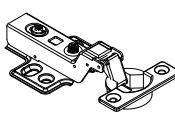
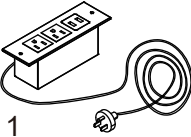

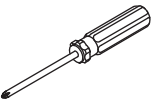


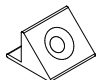
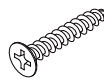
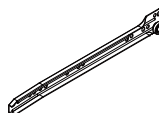

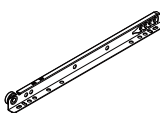
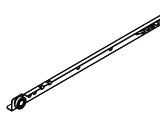
Please note that only the anti tip strap is provided.

You will need to provide wall plugs and screws applicable for your wall type

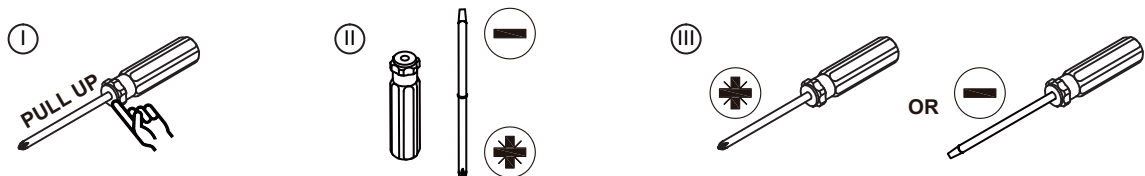
# Components - Fittings

Please check you have all the panels listed below

Note: The quantities below are the correct amount to complete the assembly. In some cases more fittings may be supplied than are required.

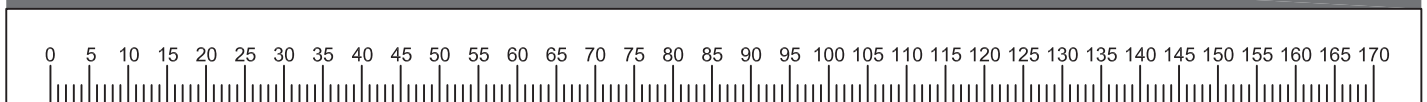
 (A) Cam Bolt x 40	 (B) Cam lock x 40	 (C) 6*30mm Dowel x 42	 (D) 4*35mm Screw x 22
 (E) 3.5*12mm Screw x 116	 (F) Hold hands x 2	 (G) 4*16mm Screw x 4	 (H) 6*45mm Screw x 8
 (I) Vertical nut x 8	 (J) hinge x 8	 (K) Caster x 3	 (L) Locking caster x 2
 (M) 6*14mm Screw x 20	 (N) hinge x 6	 (O) Pivot x 8	 (P) Hold hands x 3
 (Q) 26mm x 4	 (R) Pulley x 1	 (S) Pressure ball x 4	 (T) Screwdriver x 1
 (U) 4*10mm Screw x 3	 (V) 4*25mm Screw x 20	 (W) Back plate buckle x 12	 (X) 3*14mm Screw x 12
 (CR) Runner 350mm x 3	 (CL) Runner 350mm x 3	 (DR) Runner 350mm x 3	 (DL) Runner 350mm x 3

## Tools required



Screwdrivers can be converted to Phillips and Slotted.

## Ruler - Use this ruler to help correctly identify the screws



The screws length is measured from the head to the point (35mm screw shown).

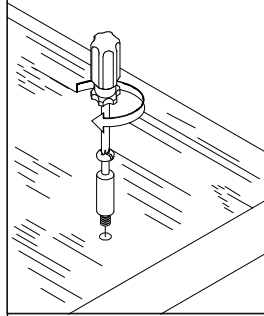
# Using Camlocks

## Step 1

Connect the male camlock as directed in the assembly instructions using a screwdriver.

1

DO NOT OVER TIGHTEN.  
NE PAS SERRER EXCESSIVEMENT.



## Step 2

Push the male camlock into the entry hole.

2

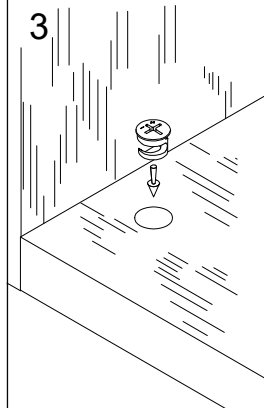


## Step 3

Insert the female camlock as shown in the instruction.

Note: ensure that the arrow on the top of the camlock points towards the entry hole for the male camlock.

3



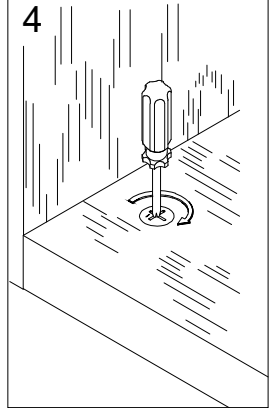
## Step 4

Turn the female camlock clockwise with a screwdriver.

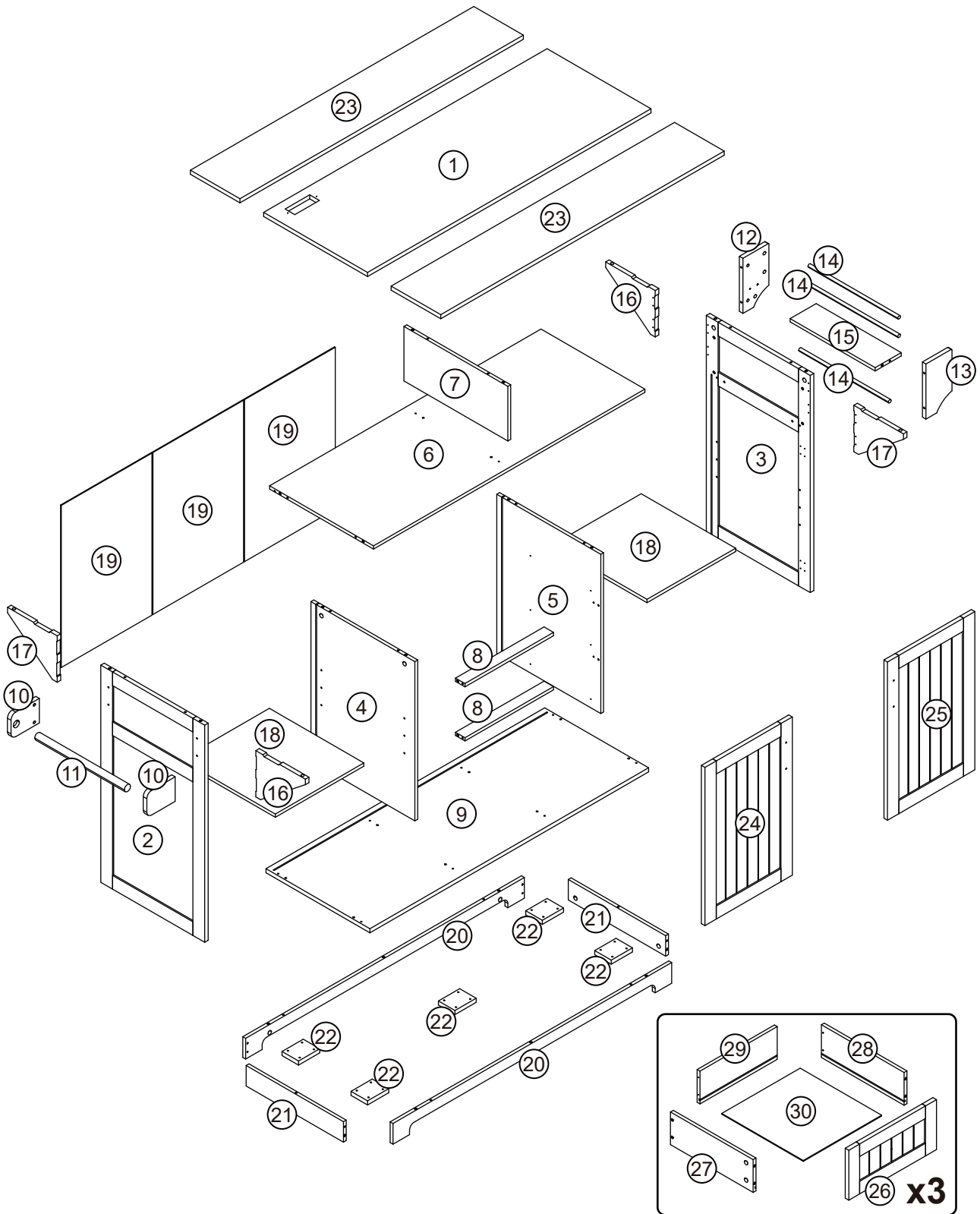
You should feel a click when the camlock is locked in place.

The joint is now secure.

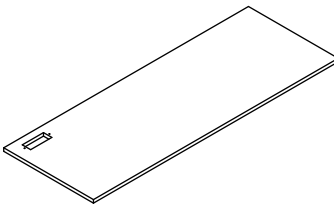
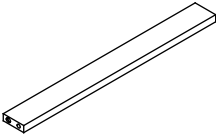
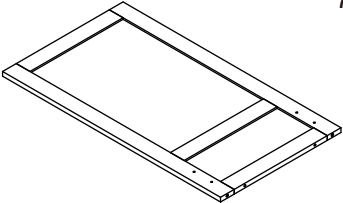
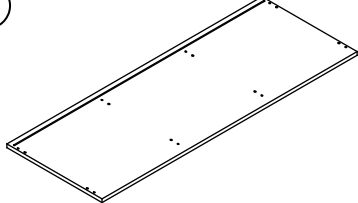
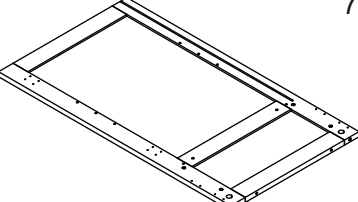
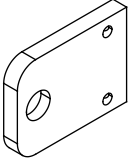
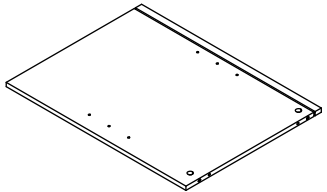
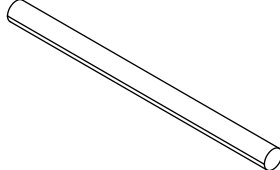
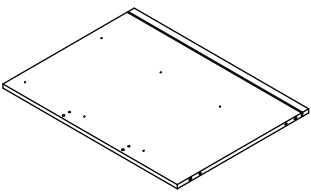
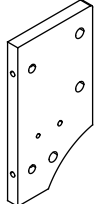
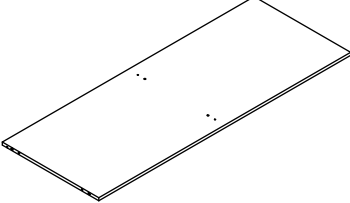
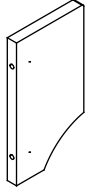
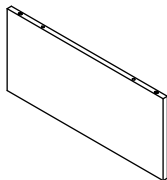
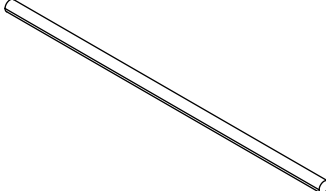
4



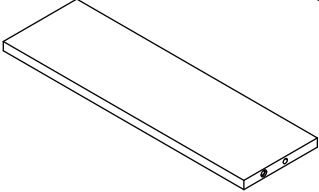
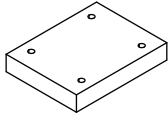
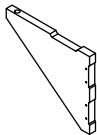
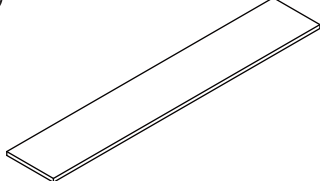
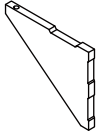
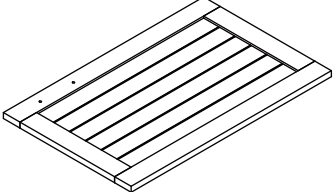
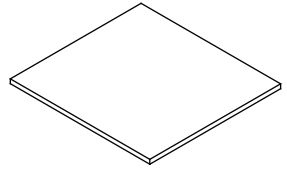
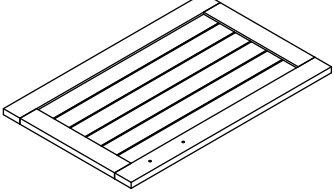
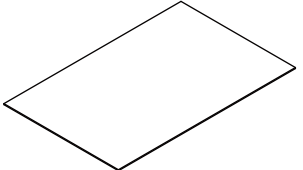
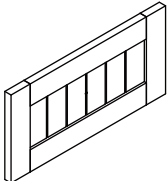
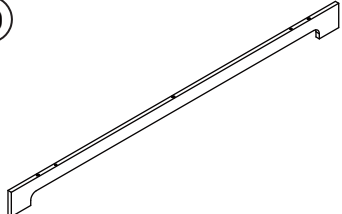
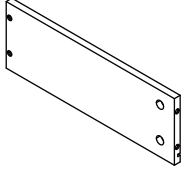
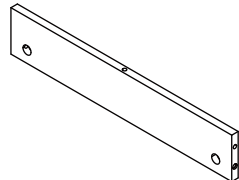
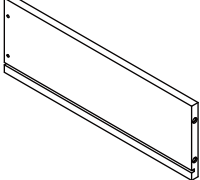
# Assembly Instructions



# Assembly Instructions

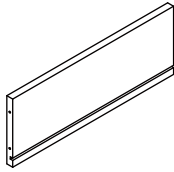
<p>①</p>  <p>1200 x 440 x 15 mm</p> <p><b>1</b></p>	<p>⑧</p>  <p>375 x 40 x 12 mm</p> <p><b>2</b></p>
<p>②</p>  <p>798 x 440 x 15 mm</p> <p><b>1</b></p>	<p>⑨</p>  <p>1180 x 440 x 15 mm</p> <p><b>1</b></p>
<p>③</p>  <p>798 x 440 x 15 mm</p> <p><b>1</b></p>	<p>⑩</p>  <p>120 x 90 x 15 mm</p> <p><b>2</b></p>
<p>④</p>  <p>583 x 440 x 15 mm</p> <p><b>1</b></p>	<p>⑪</p>  <p>376 x 25 x 25 mm</p> <p><b>1</b></p>
<p>⑤</p>  <p>583 x 440 x 15 mm</p> <p><b>1</b></p>	<p>⑫</p>  <p>202 x 110 x 15 mm</p> <p><b>1</b></p>
<p>⑥</p>  <p>1150 x 440 x 12 mm</p> <p><b>1</b></p>	<p>⑬</p>  <p>202 x 110 x 15 mm</p> <p><b>1</b></p>
<p>⑦</p>  <p>440 x 200 x 12 mm</p> <p><b>1</b></p>	<p>⑭</p>  <p>382 x 12 x 12 mm</p> <p><b>3</b></p>

# Assembly Instructions

<p>⑮ 361 x 110 x 12 mm</p>  <p><b>1</b></p>	<p>⑳ 90 x 70 x 18 mm</p>  <p><b>5</b></p>
<p>⑯ 202 x 170 x 15 mm</p>  <p><b>2</b></p>	<p>㉑ 1200 x 207 x 15 mm</p>  <p><b>2</b></p>
<p>⑰ 202 x 170 x 15 mm</p>  <p><b>2</b></p>	<p>㉒ 578 x 370 x 12 mm</p>  <p><b>1</b></p>
<p>⑱ 405 x 375 x 12 mm</p>  <p><b>2</b></p>	<p>㉓ 578 x 370 x 12 mm</p>  <p><b>1</b></p>
<p>㉔ 592 x 382 x 3mm</p>  <p><b>3</b></p>	<p>㉔ 370 x 180 x 12 mm</p>  <p><b>3</b></p>
<p>㉕ 1180 x 76 x 15 mm</p>  <p><b>2</b></p>	<p>㉕ 350 x 117 x 12 mm</p>  <p><b>3</b></p>
<p>㉖ 416 x 76 x 15 mm</p>  <p><b>2</b></p>	<p>㉖ 350 x 117 x 12 mm</p>  <p><b>3</b></p>

# Assembly Instructions

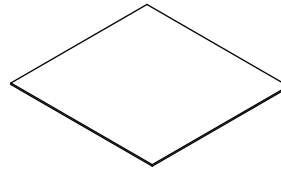
29



326 x 117 x 12 mm

**3**

30

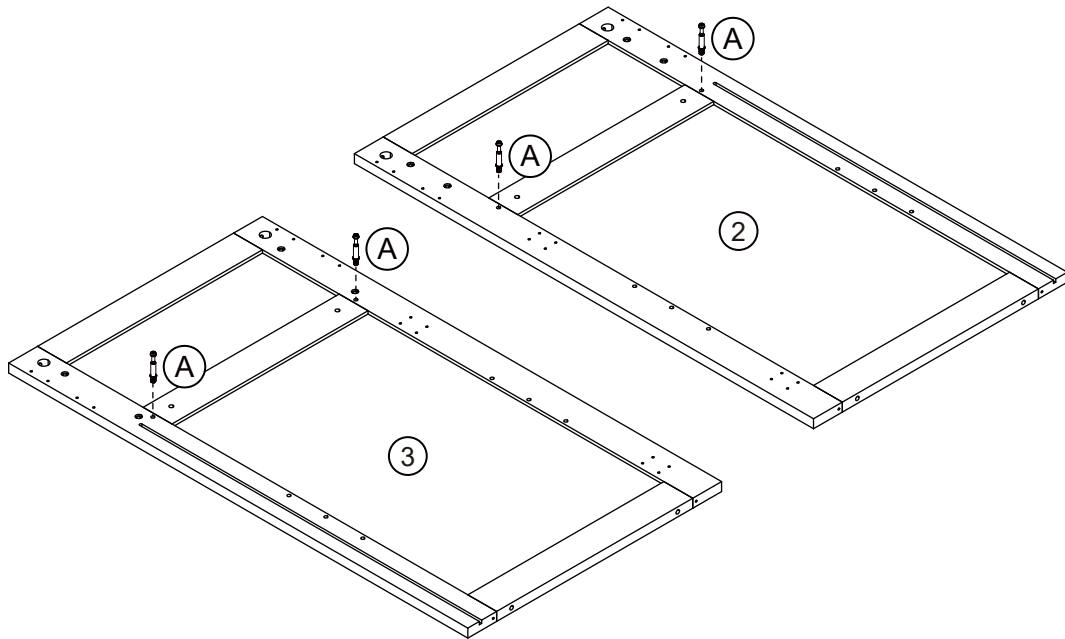


345 x 334 x 3 mm

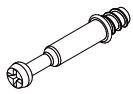
**3**

# Assembly Instructions

## Step 1

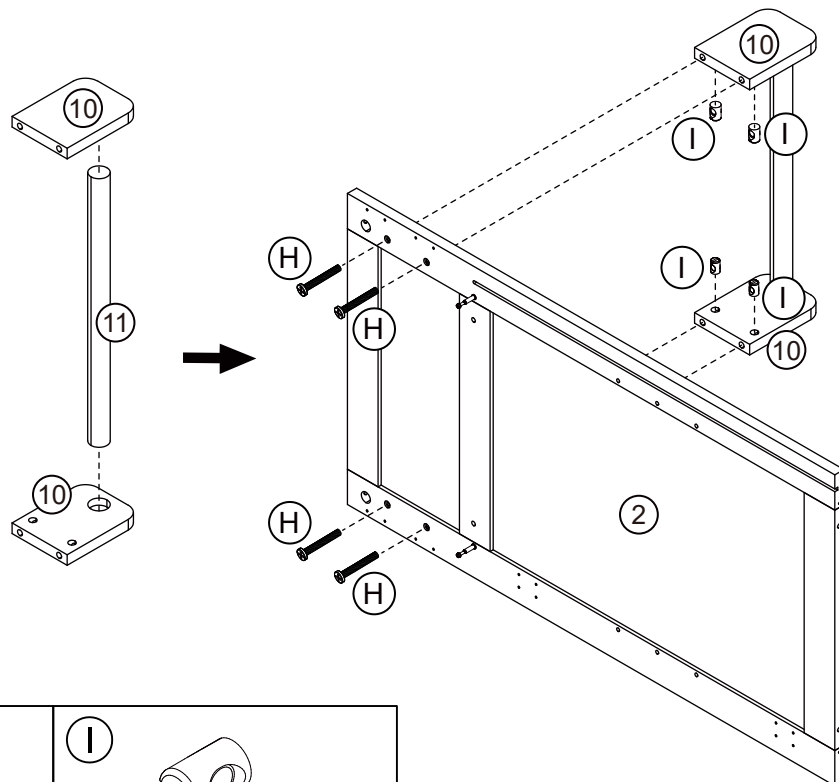


A

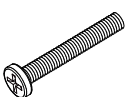


Cam Bolt x 4

## Step 2



H



6\*45mm Screw x 4

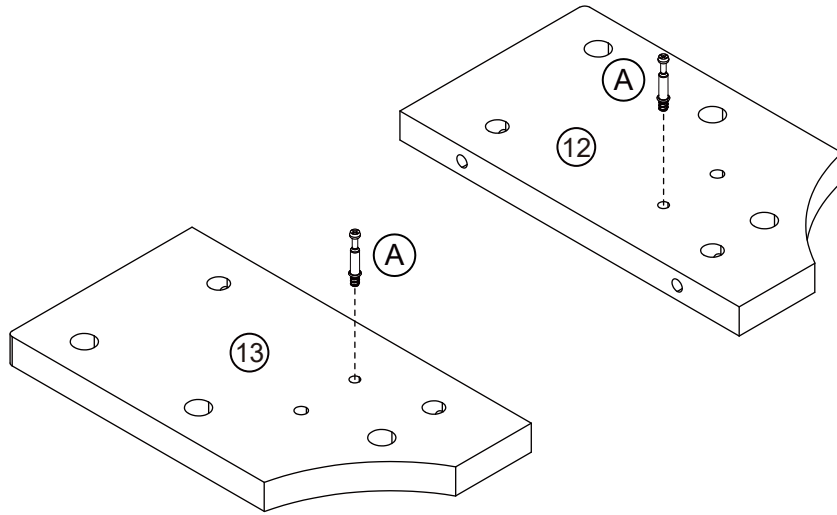
I



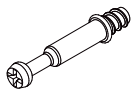
Vertical nut x 4

# Assembly Instructions

## Step 3

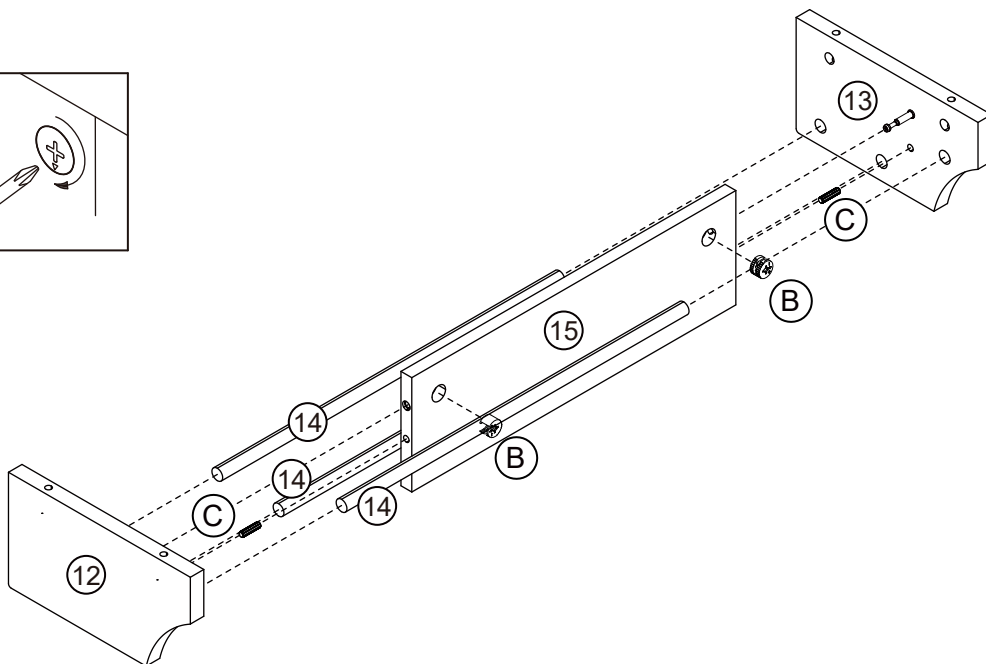
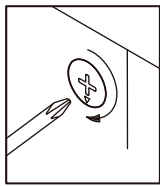
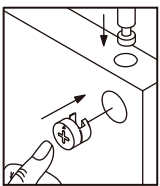


A



Cam Bolt x 2

## Step 4



B



Cam lock x 2

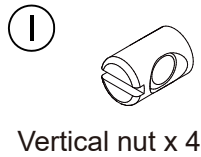
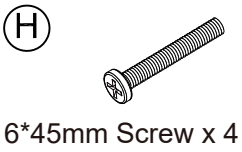
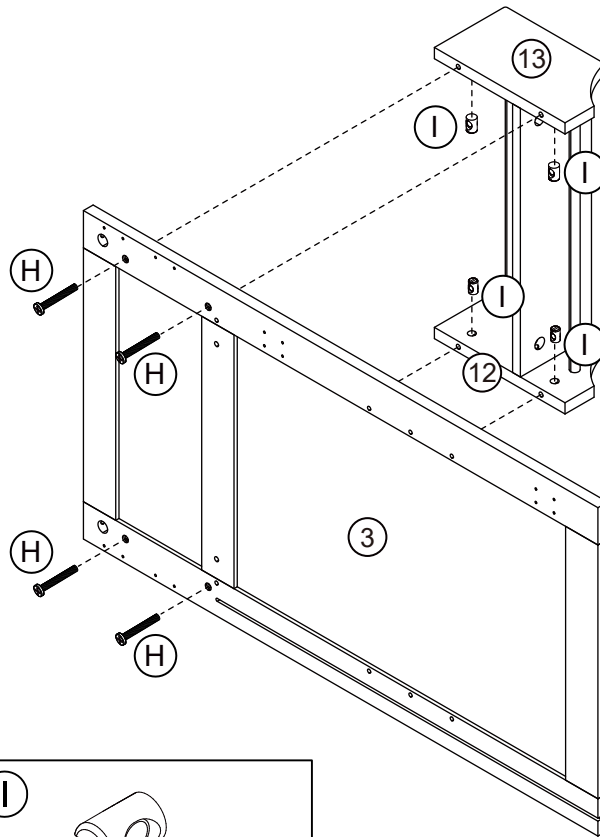
C



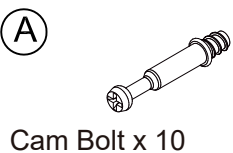
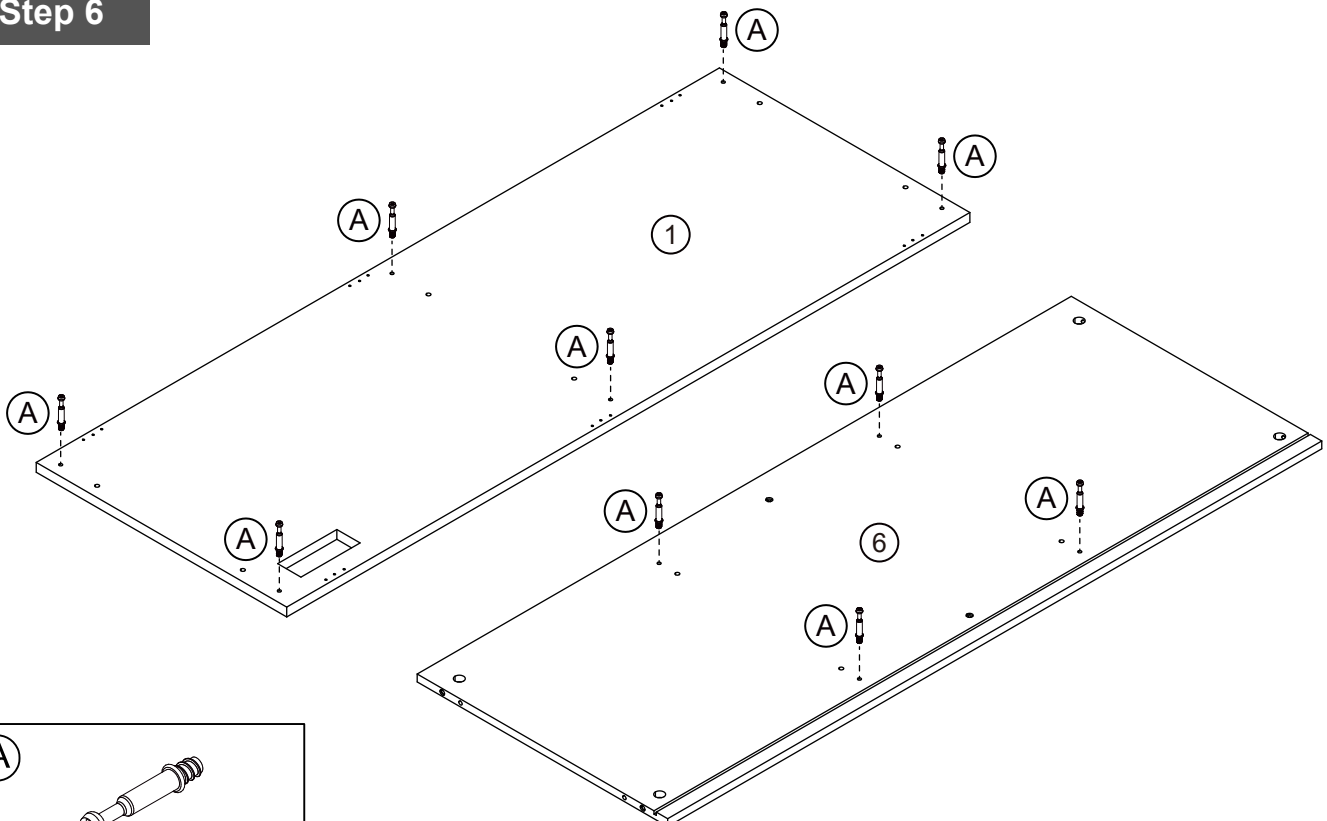
6\*30mm Dowel x 2

# Assembly Instructions

## Step 5

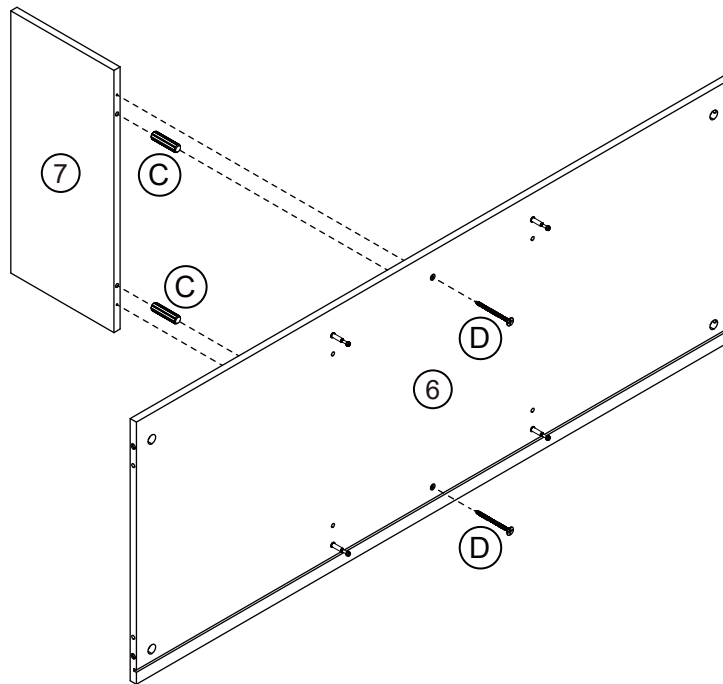


## Step 6



# Assembly Instructions

## Step 7



(C)



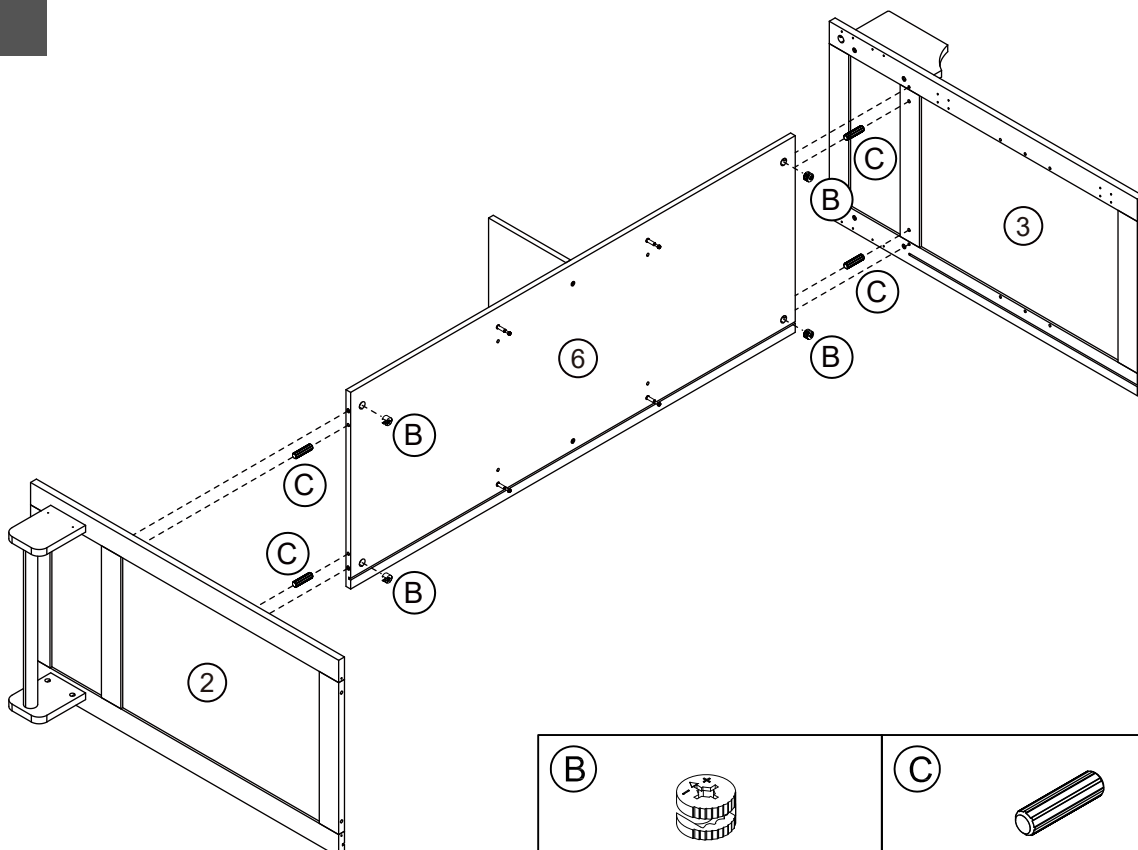
6\*30mm Dowel x 2

(D)



4\*35mm Screw x 2

## Step 8



(B)



Cam lock x 4

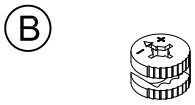
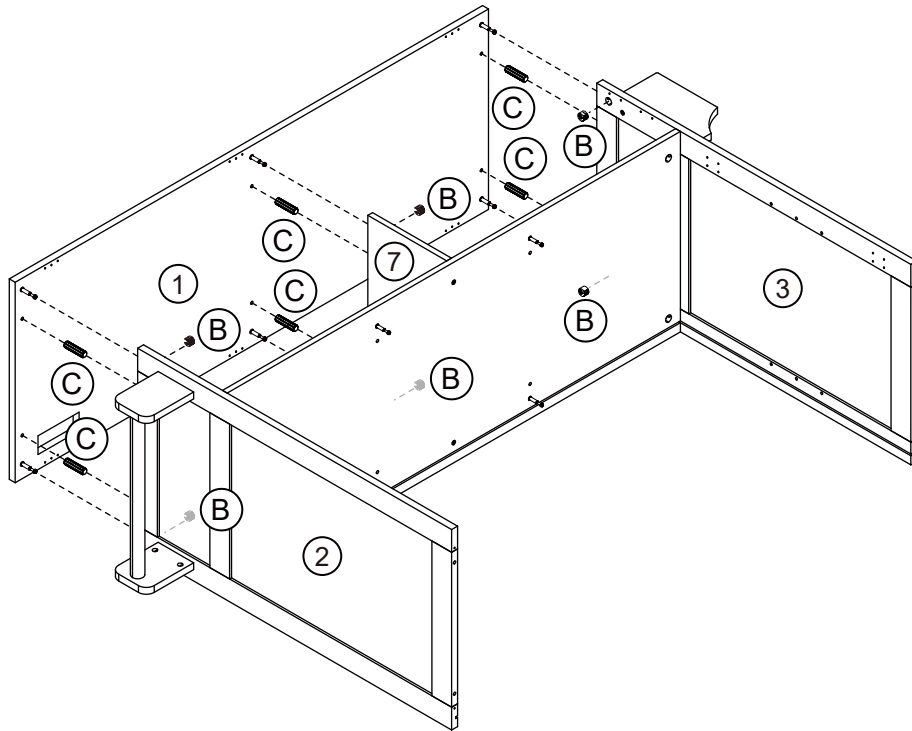
(C)



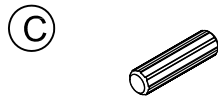
6\*30mm Dowel x 4

# Assembly Instructions

## Step 9

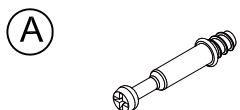
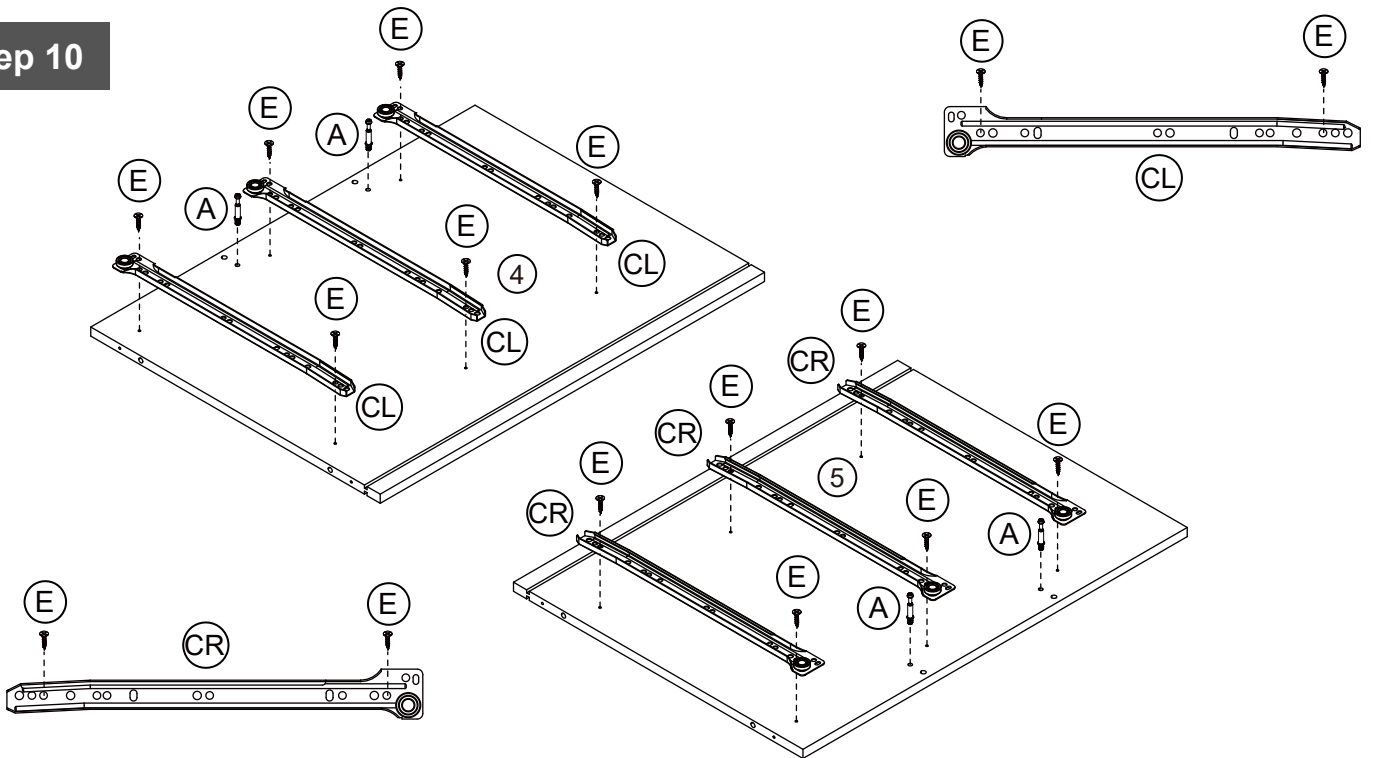


Cam lock x 6

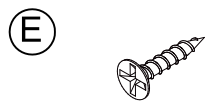


6\*30mm Dowel x 6

## Step 10



Cam Bolt x 4



3.5\*12mm Screw x 12



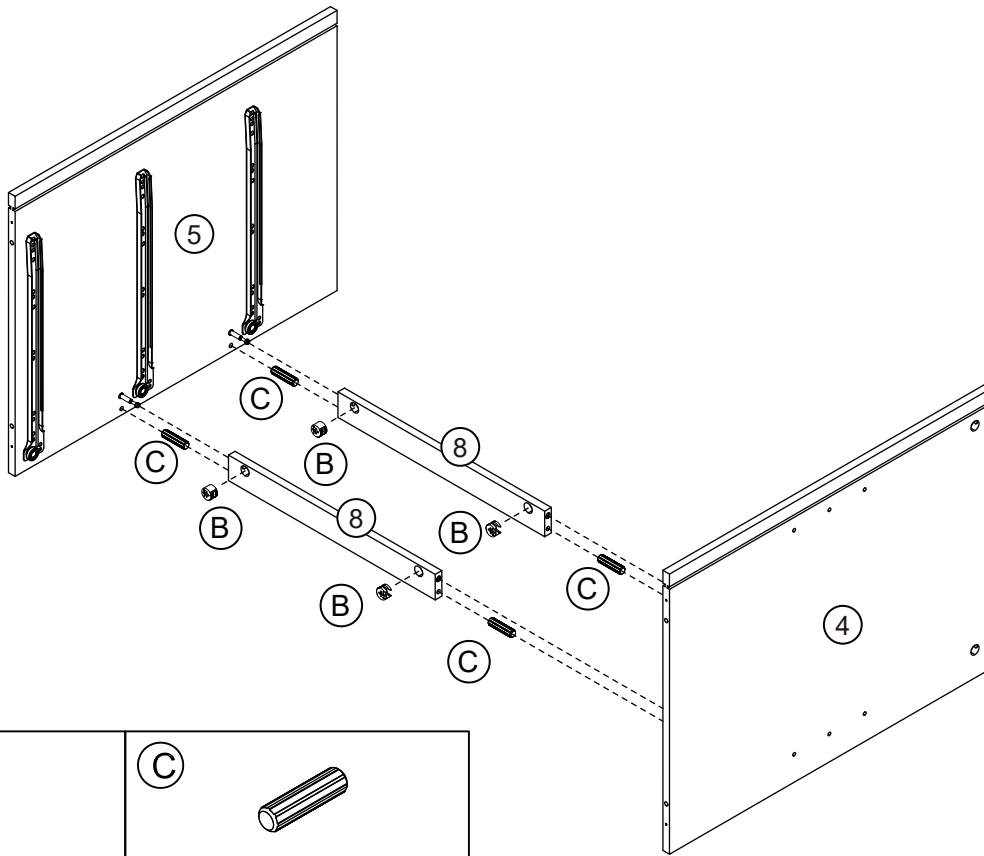
Runner 350mm x 3



Runner 350mm x 3

# Assembly Instructions

## Step 11



(B)



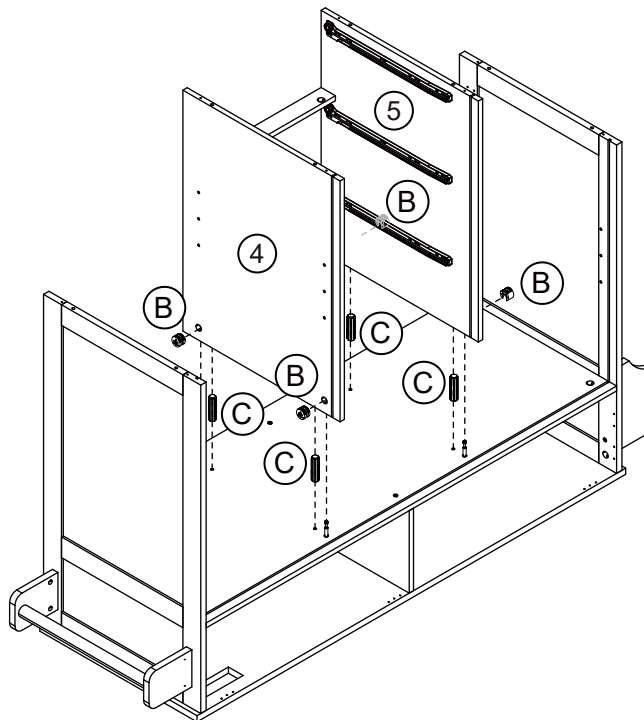
Cam lock x 4

(C)



6\*30mm Dowel x 4

## Step 12



(B)



Cam lock x 4

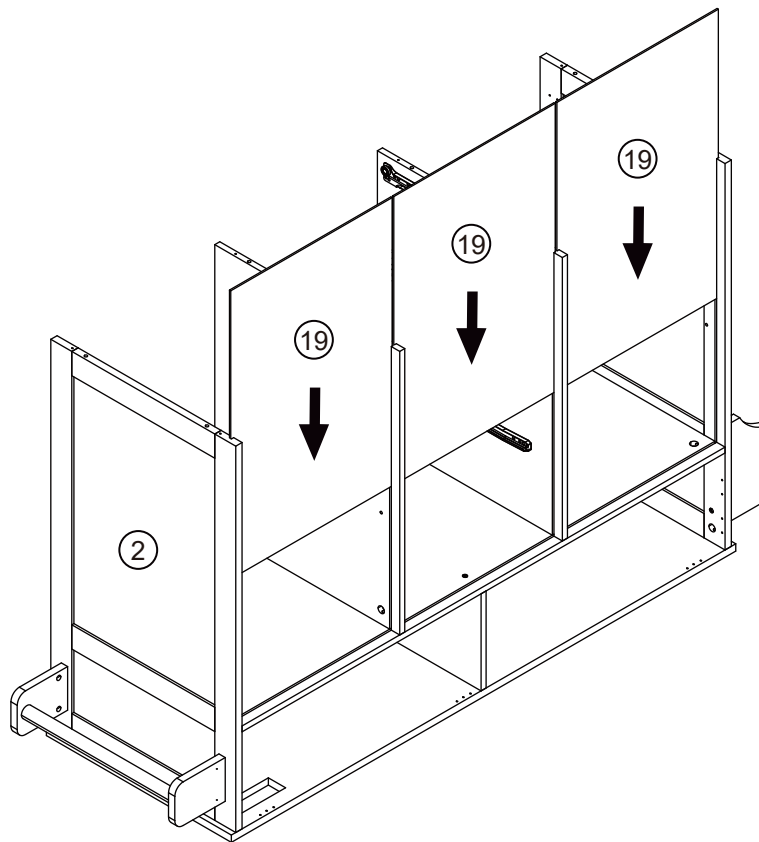
(C)



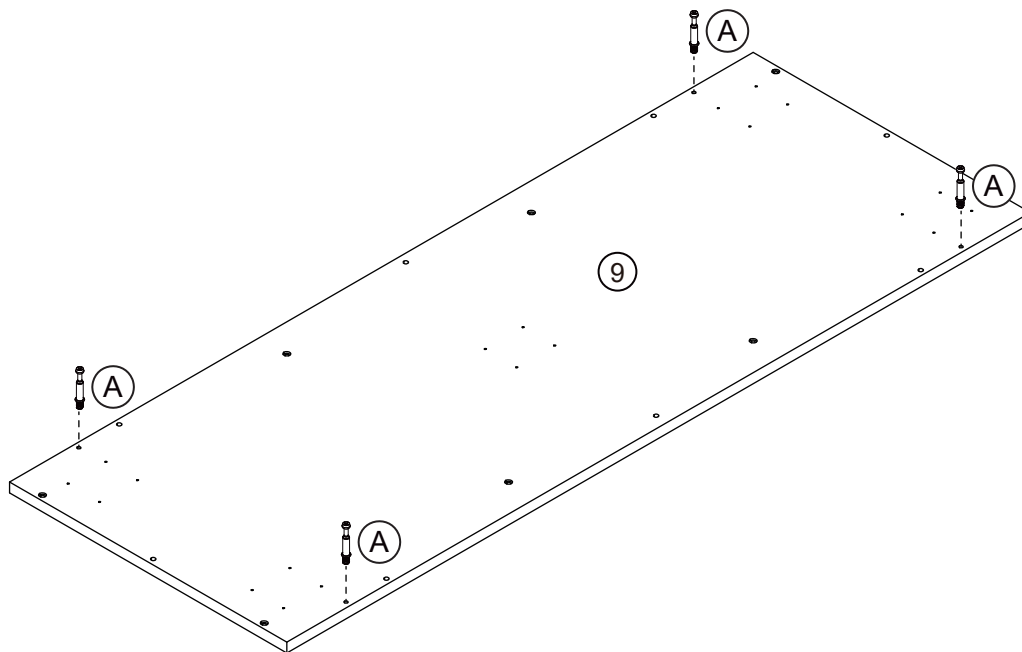
6\*30mm Dowel x 4

# Assembly Instructions

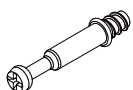
## Step 13



## Step 14



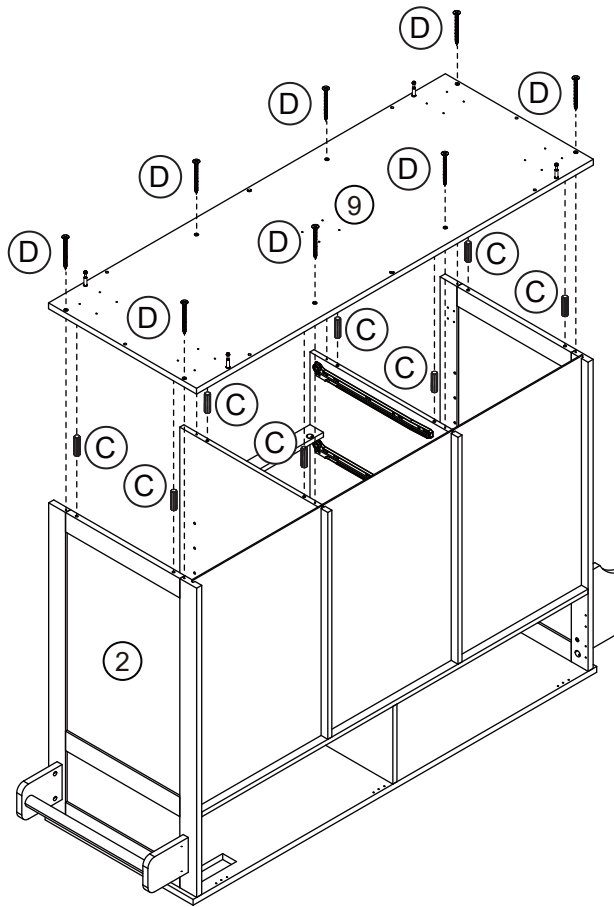
A



Cam Bolt x 4

# Assembly Instructions

## Step 15



(C)



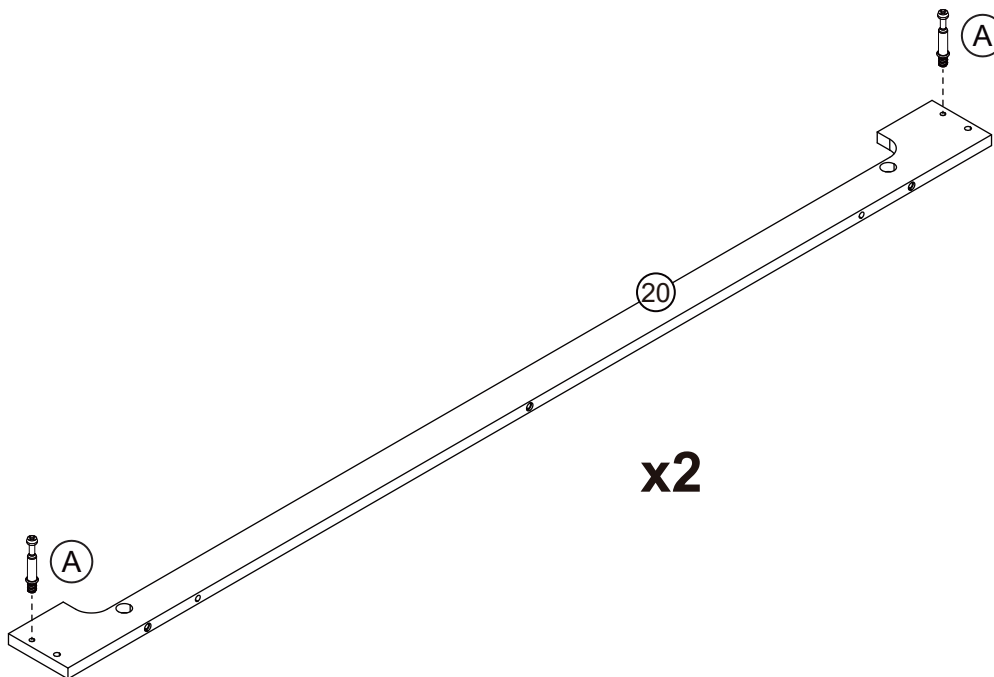
6\*30mm Dowel x 8

(D)

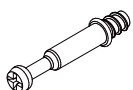


4\*35mm Screw x 8

## Step 16



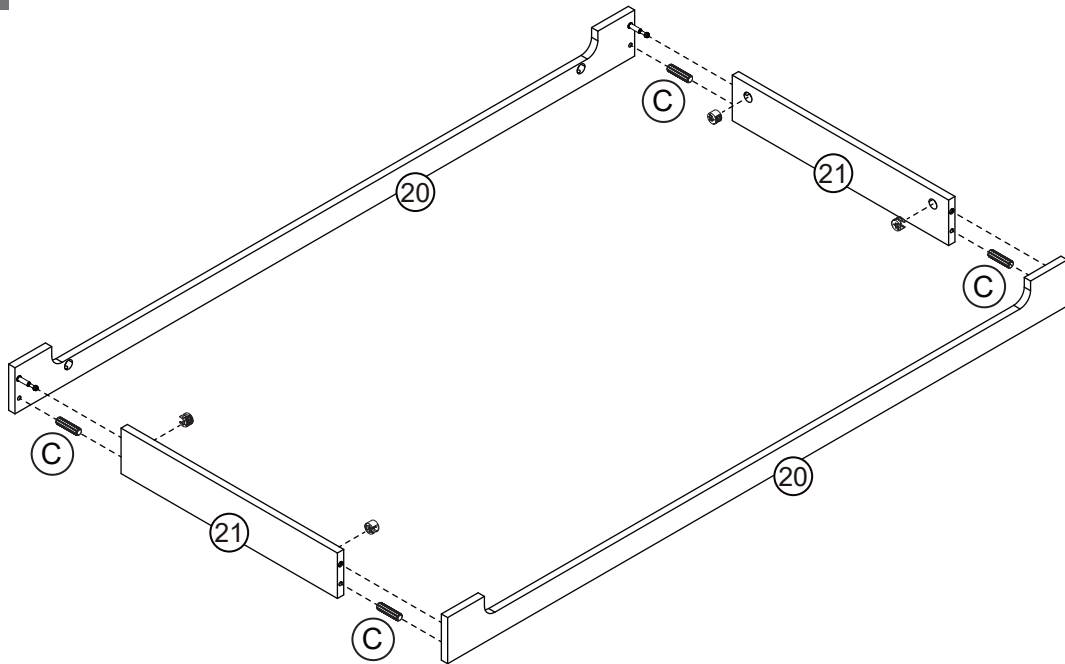
(A)



Cam Bolt x 4

# Assembly Instructions

## Step 17



(B)



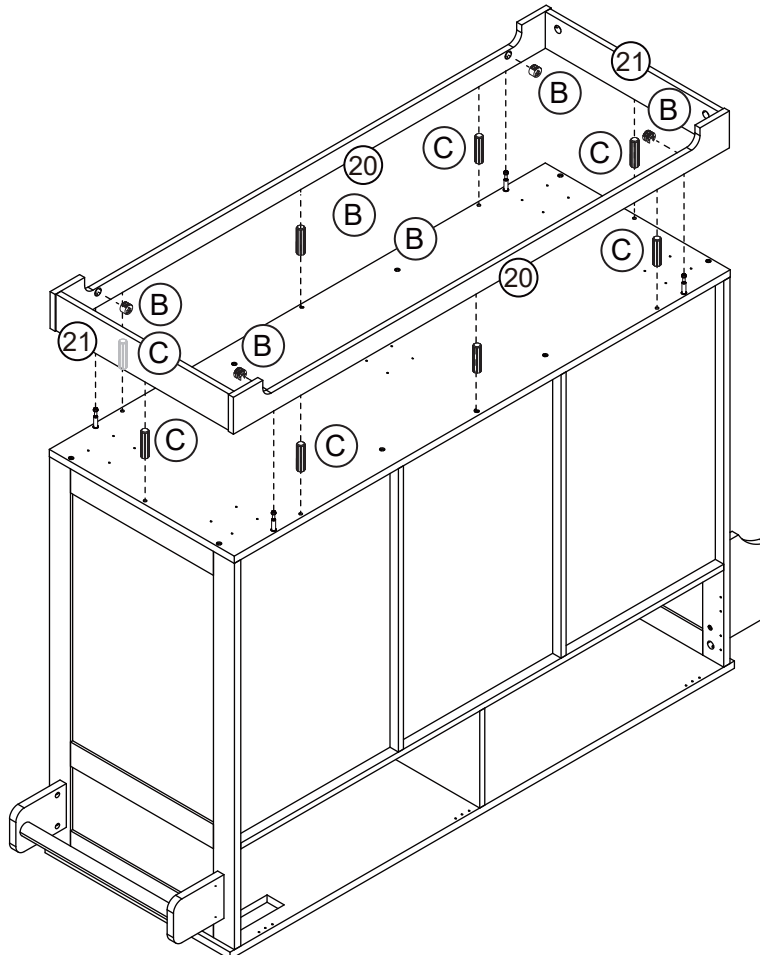
Cam lock x 4

(C)



6\*30mm Dowel x 4

## Step 18



(B)



Cam lock x 4

(C)

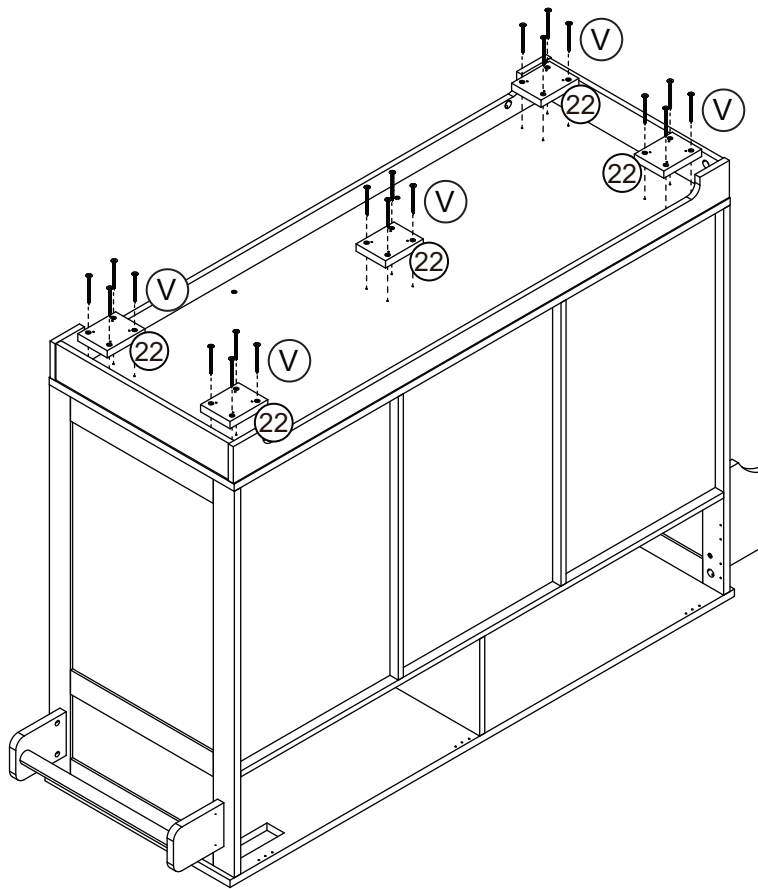


6\*30mm Dowel x 8

# Assembly Instructions

## Step 19

If you do not want to move this kitchen island cart, you may not install this step.

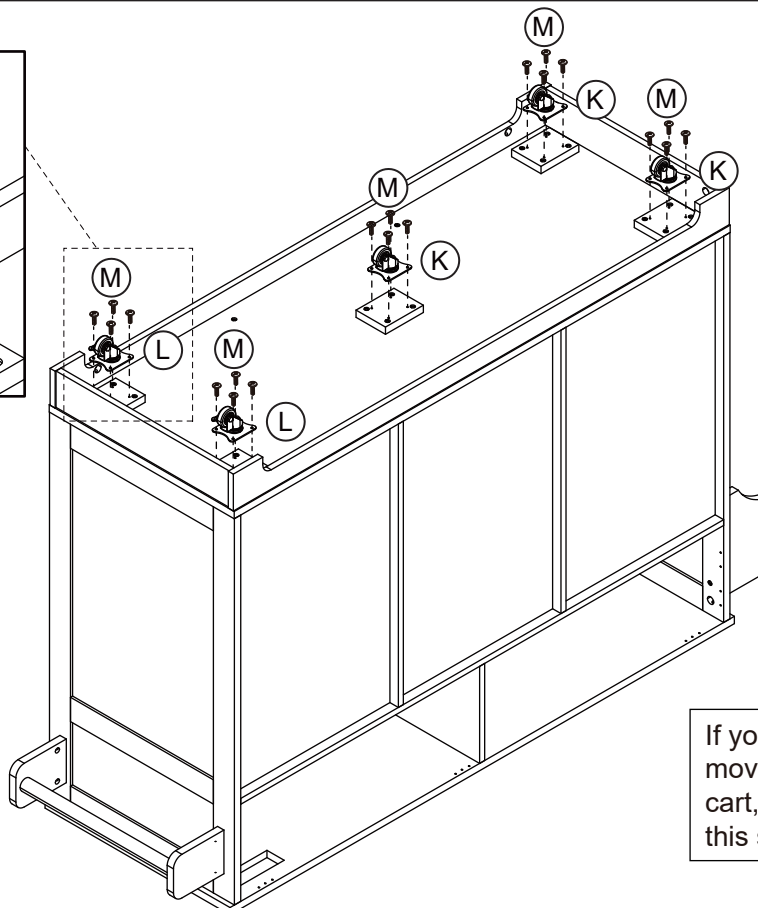
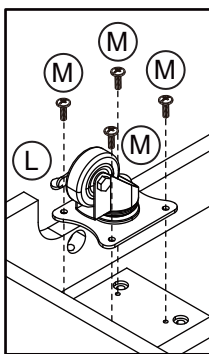


V



4\*25mm Screw x 20

## Step 20

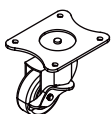


M



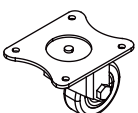
6\*14mm Screw x 20

L



Locking caster x 2

K

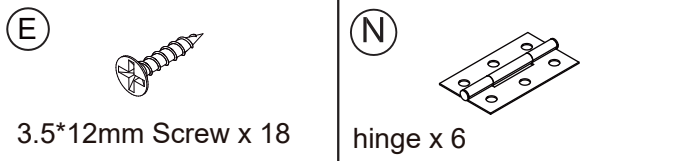
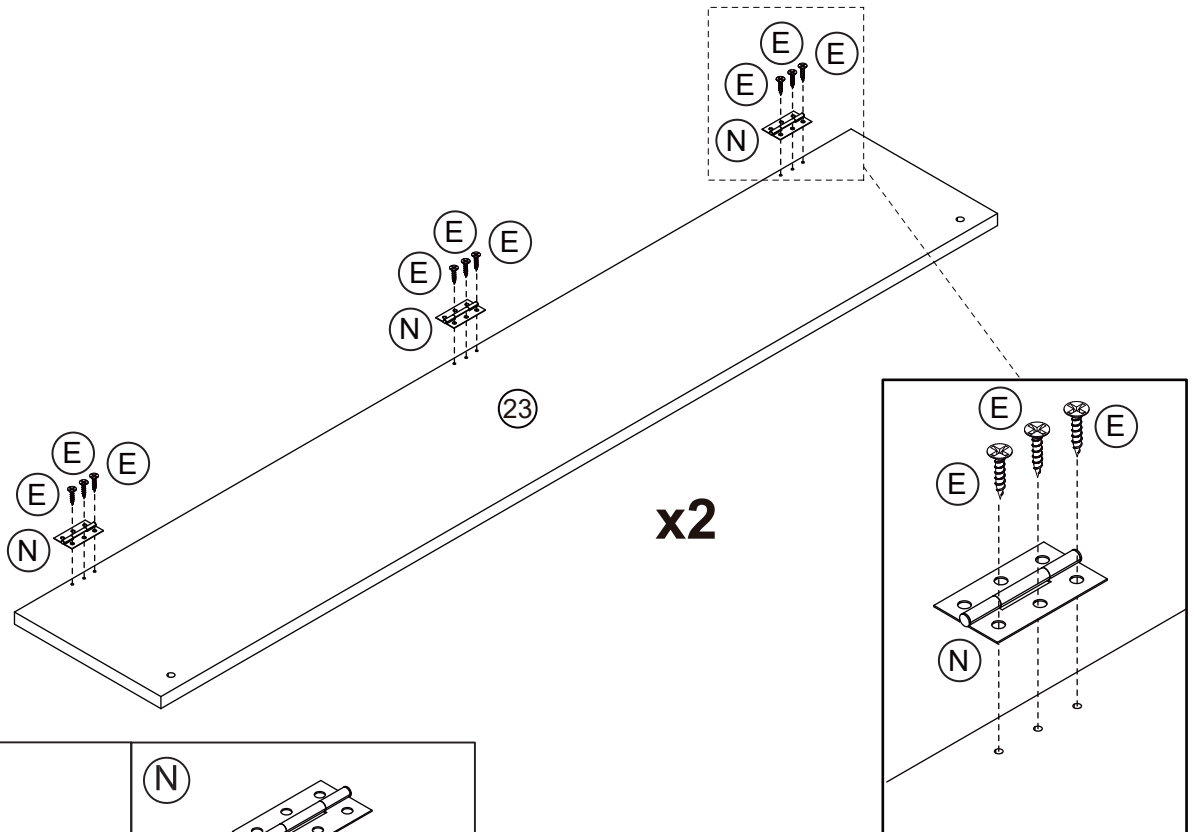


Caster x 3

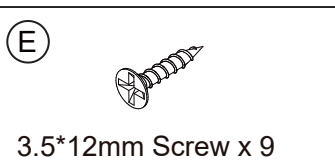
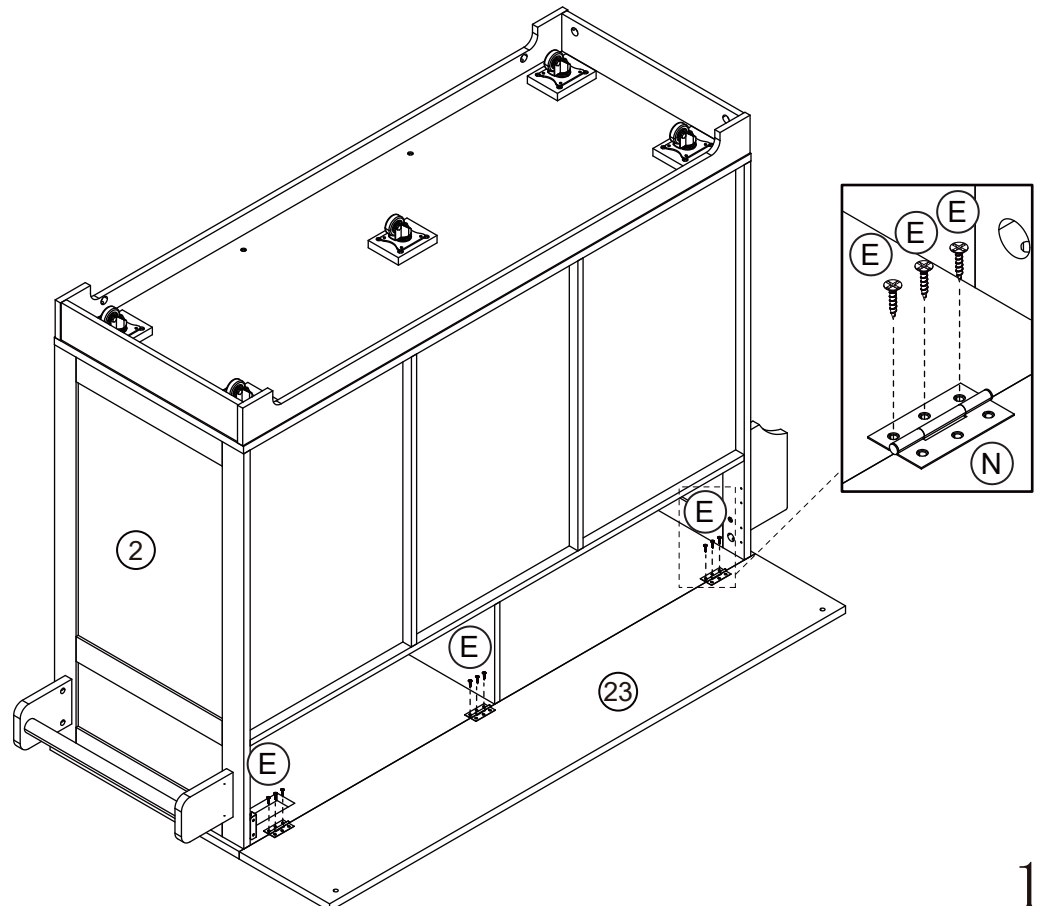
If you do not want to move this kitchen island cart, you may not install this step.

# Assembly Instructions

## Step 21

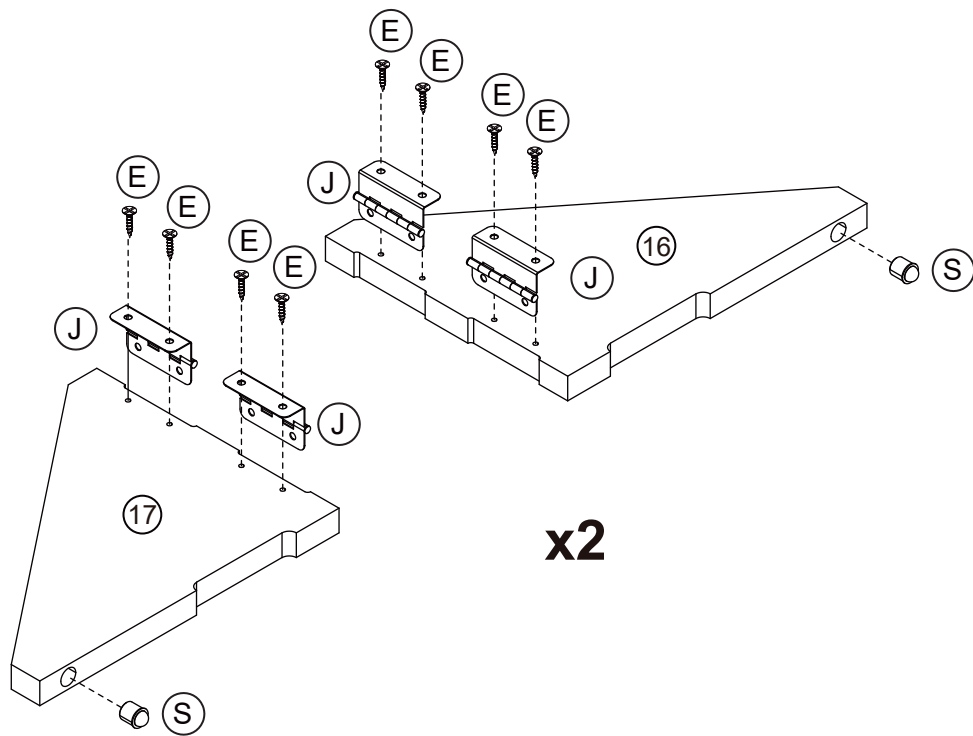


## Step 22



# Assembly Instructions

## Step 23

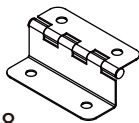


(E)



3.5\*12mm Screw x 16

(J)



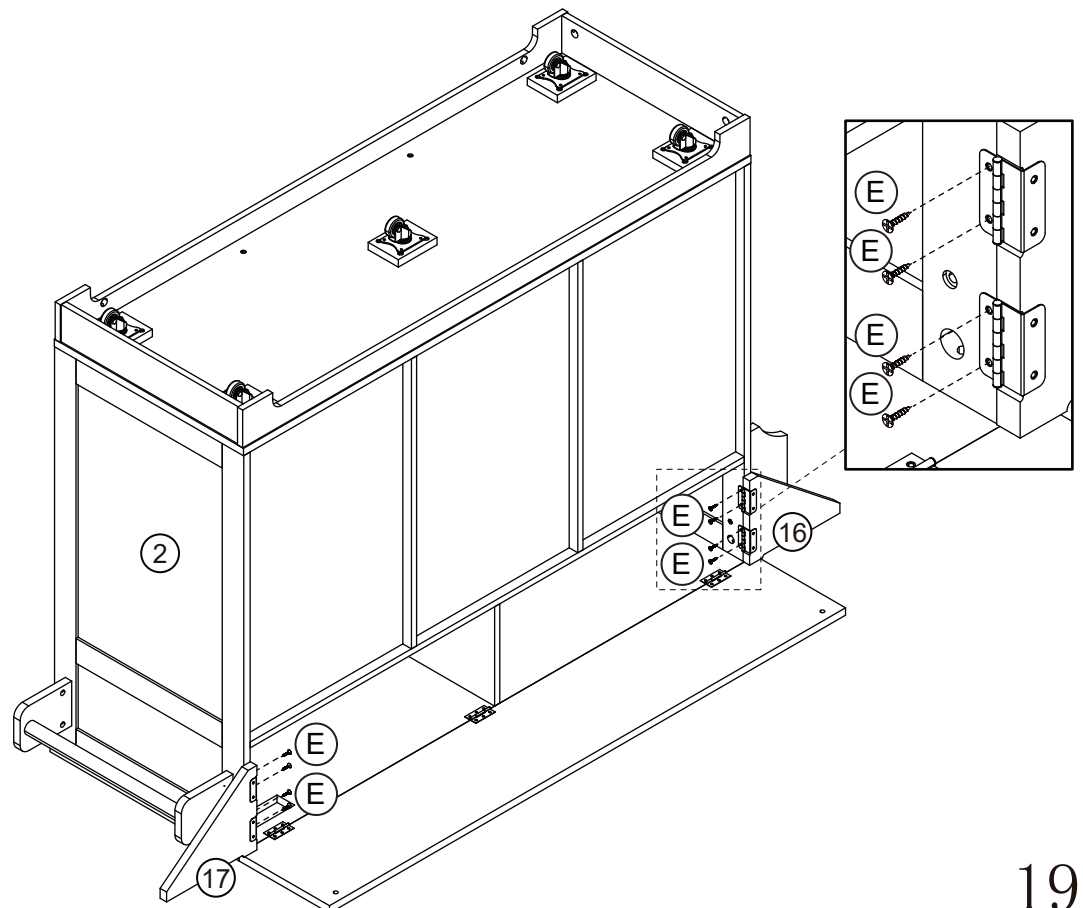
hinge x 8

(S)



Pressure ball x 4

## Step 24



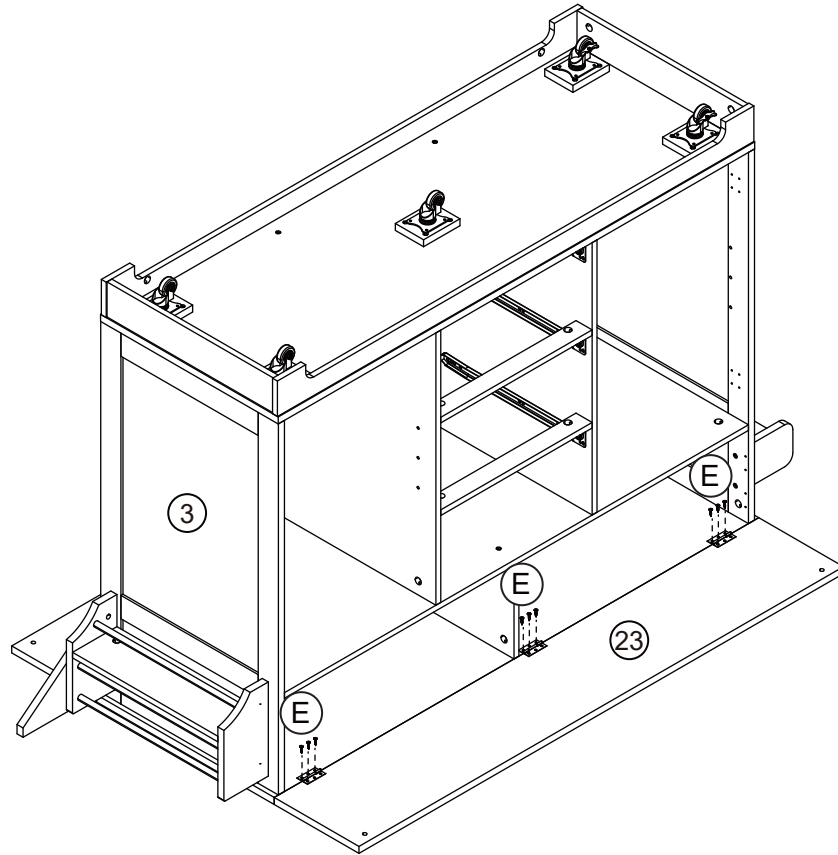
(E)



3.5\*12mm Screw x 8

# Assembly Instructions

## Step 25

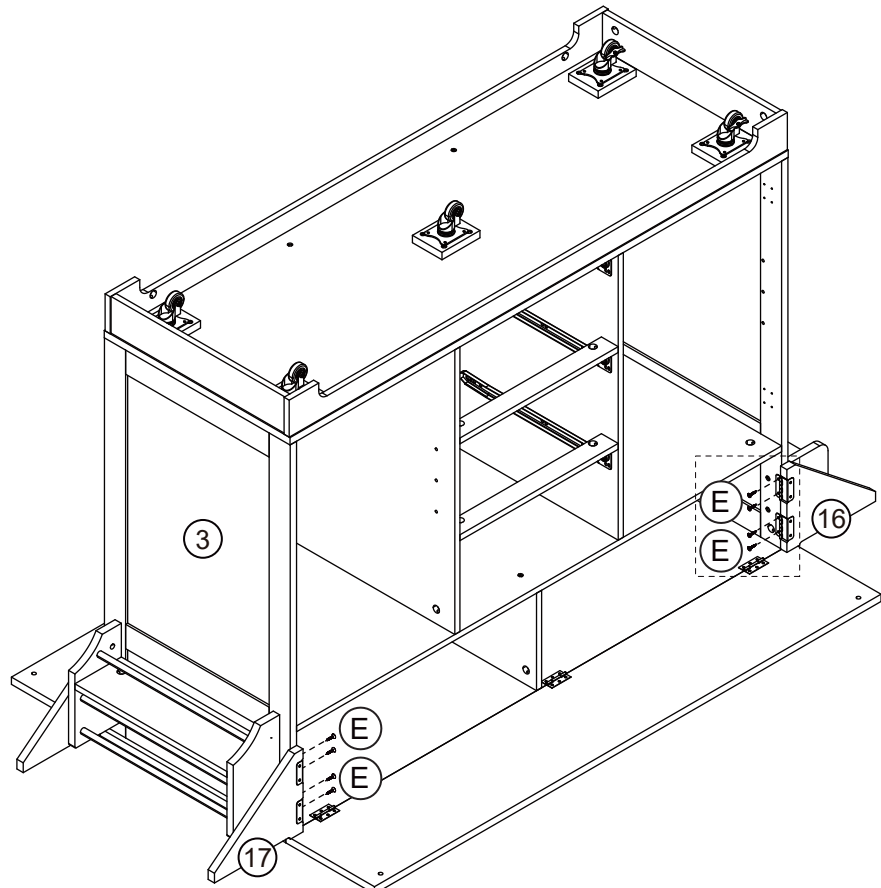


E



3.5\*12mm Screw x 9

## Step 26



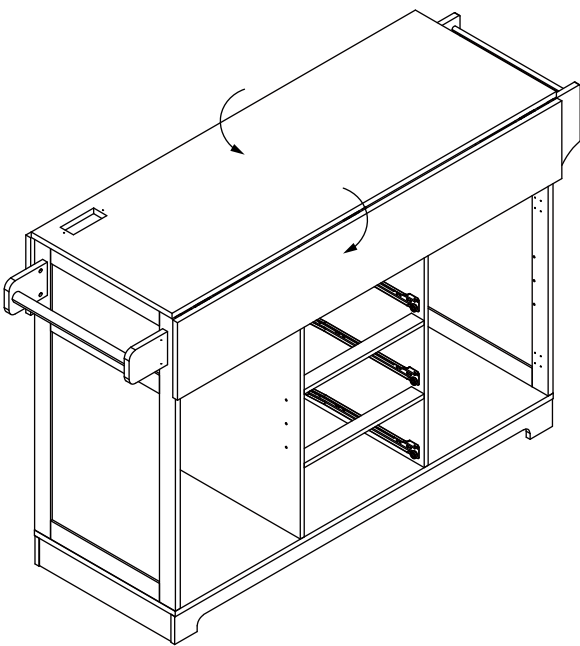
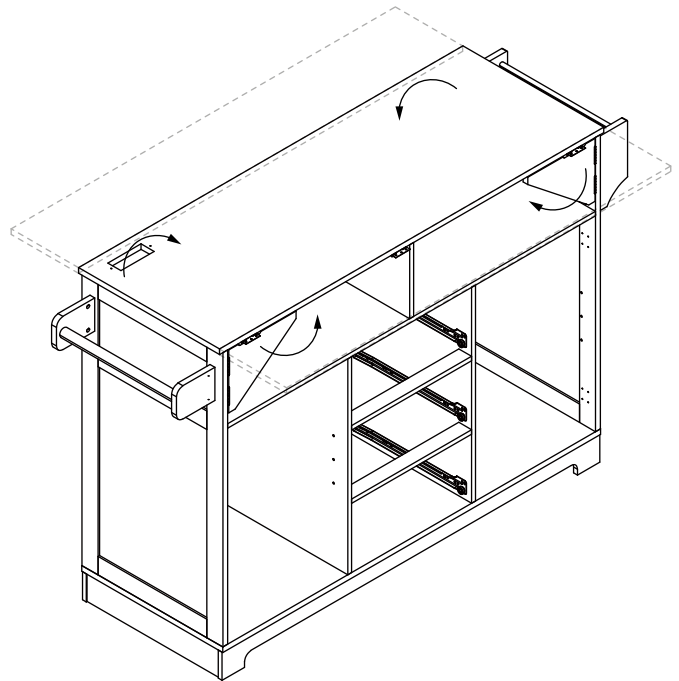
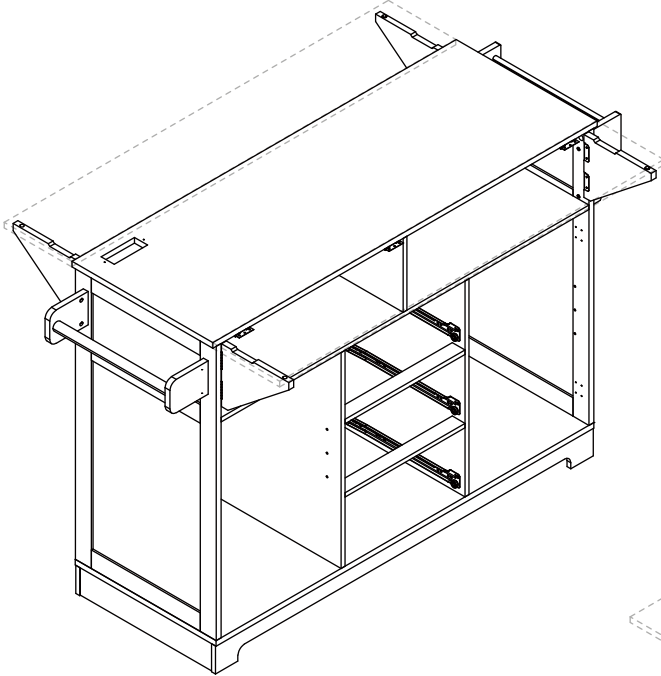
E



3.5\*12mm Screw x 8

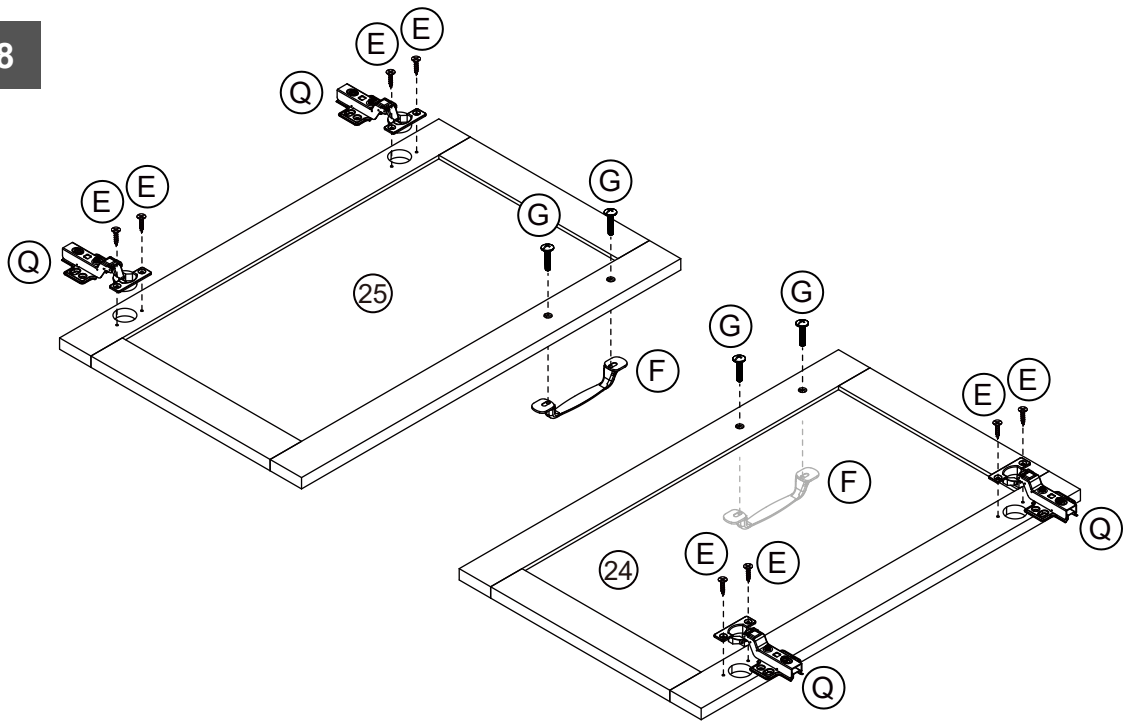
# Assembly Instructions

## Step 27



# Assembly Instructions

## Step 28

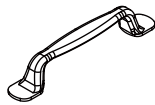


(E)



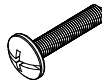
3.5\*12mm Screw x 8

(F)



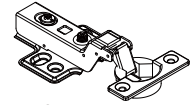
Hold hands x 2

(G)



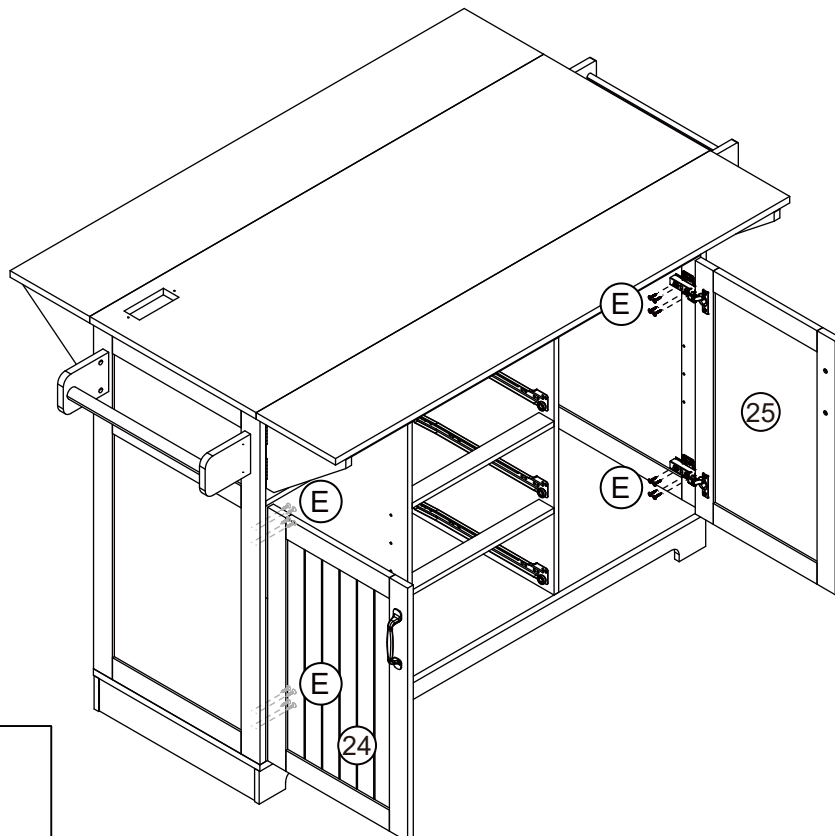
4\*16mm Screw x 4

(Q)



26mm x 4

## Step 29



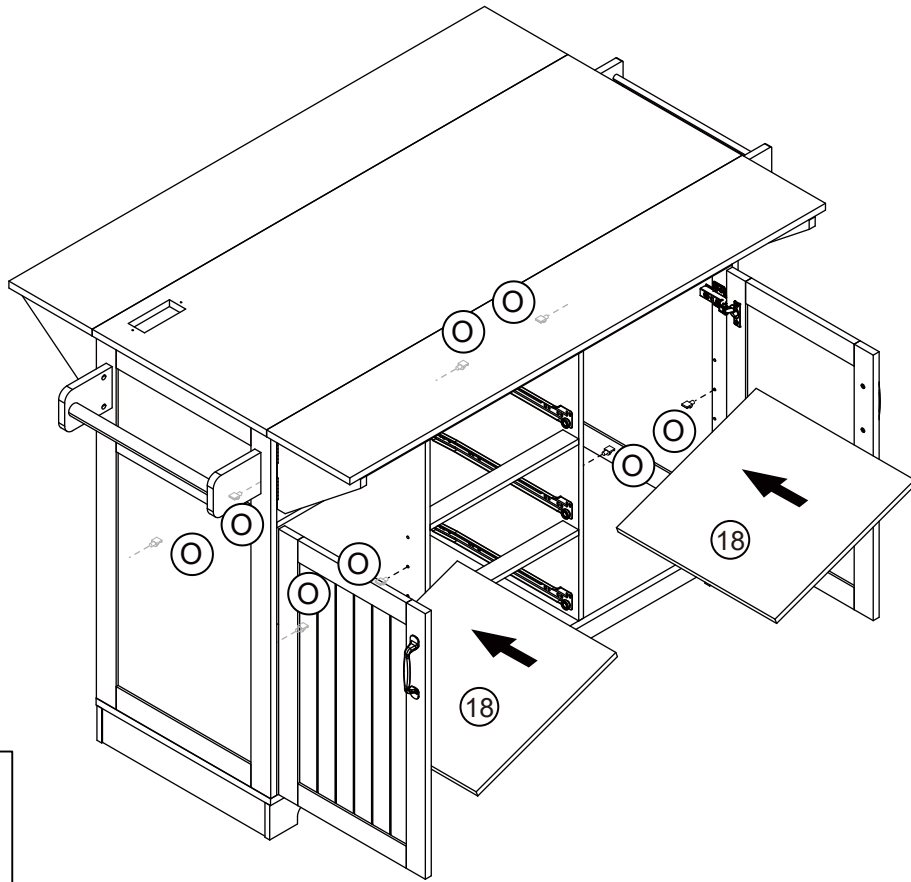
(E)



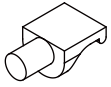
3.5\*12mm Screw x 16

# Assembly Instructions

## Step 30

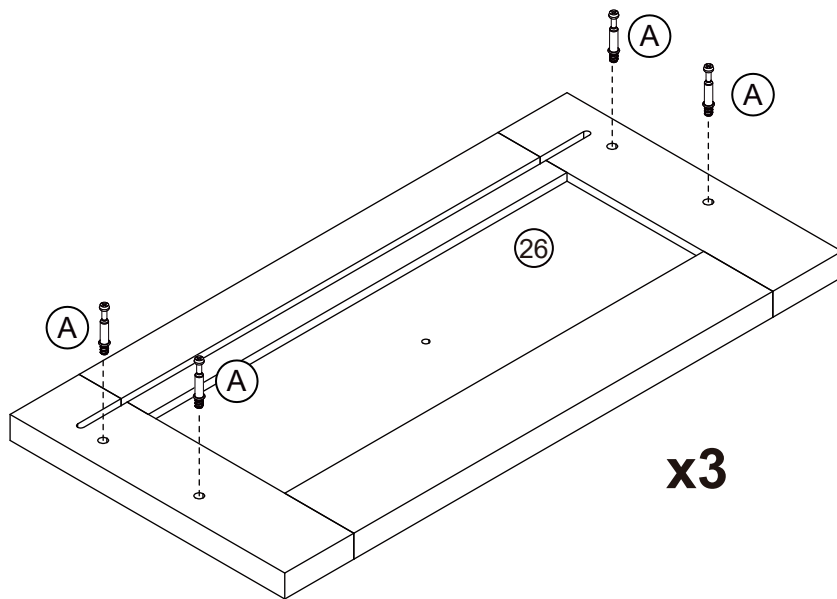


O

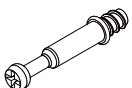


Pivot x 8

## Step 31



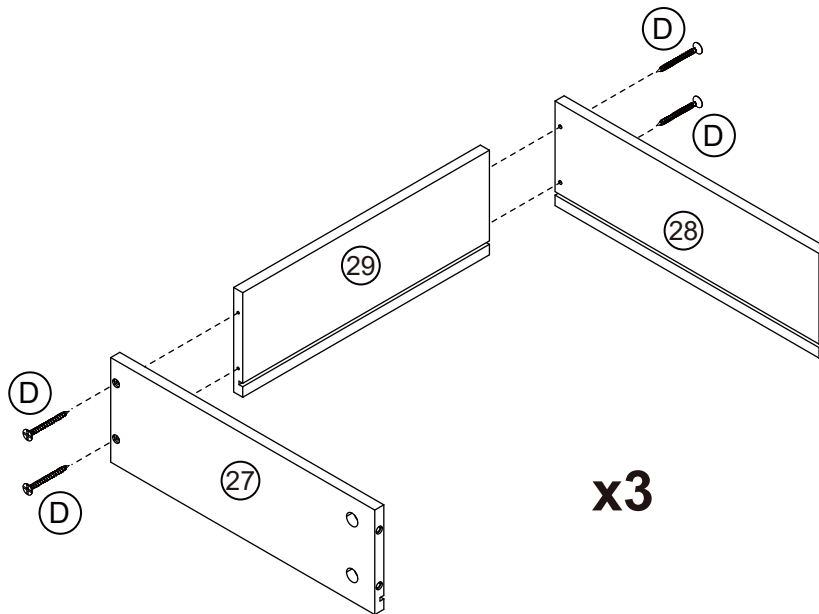
A



Cam Bolt x 12

# Assembly Instructions

## Step 32

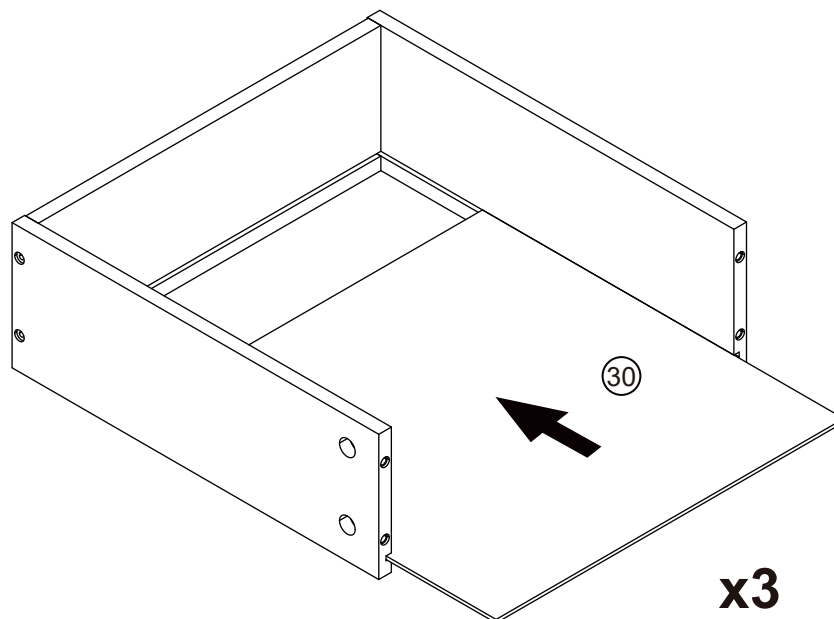


D



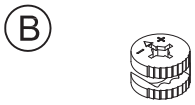
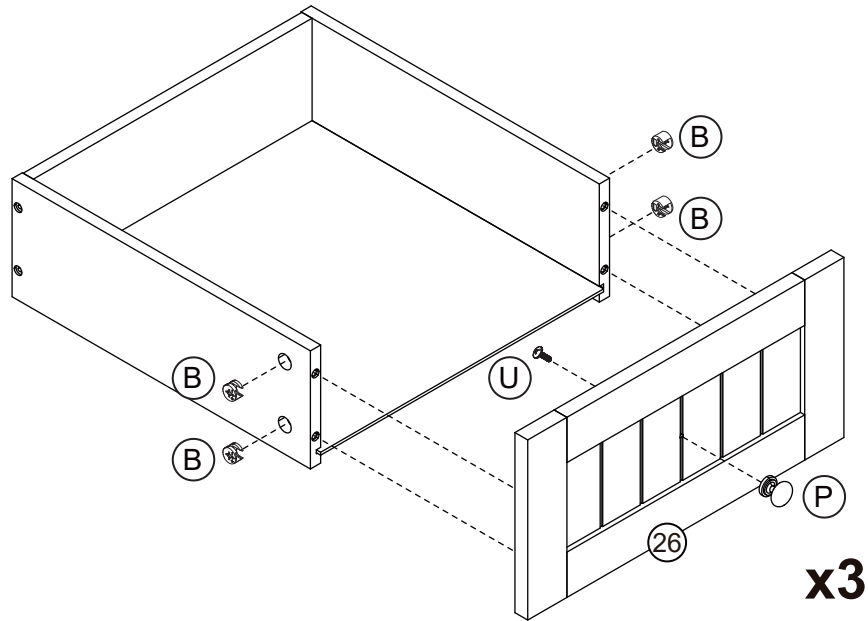
4\*35mm Screw x 12

## Step 33



# Assembly Instructions

## Step 34



Cam lock x 12

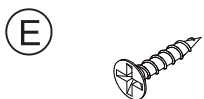
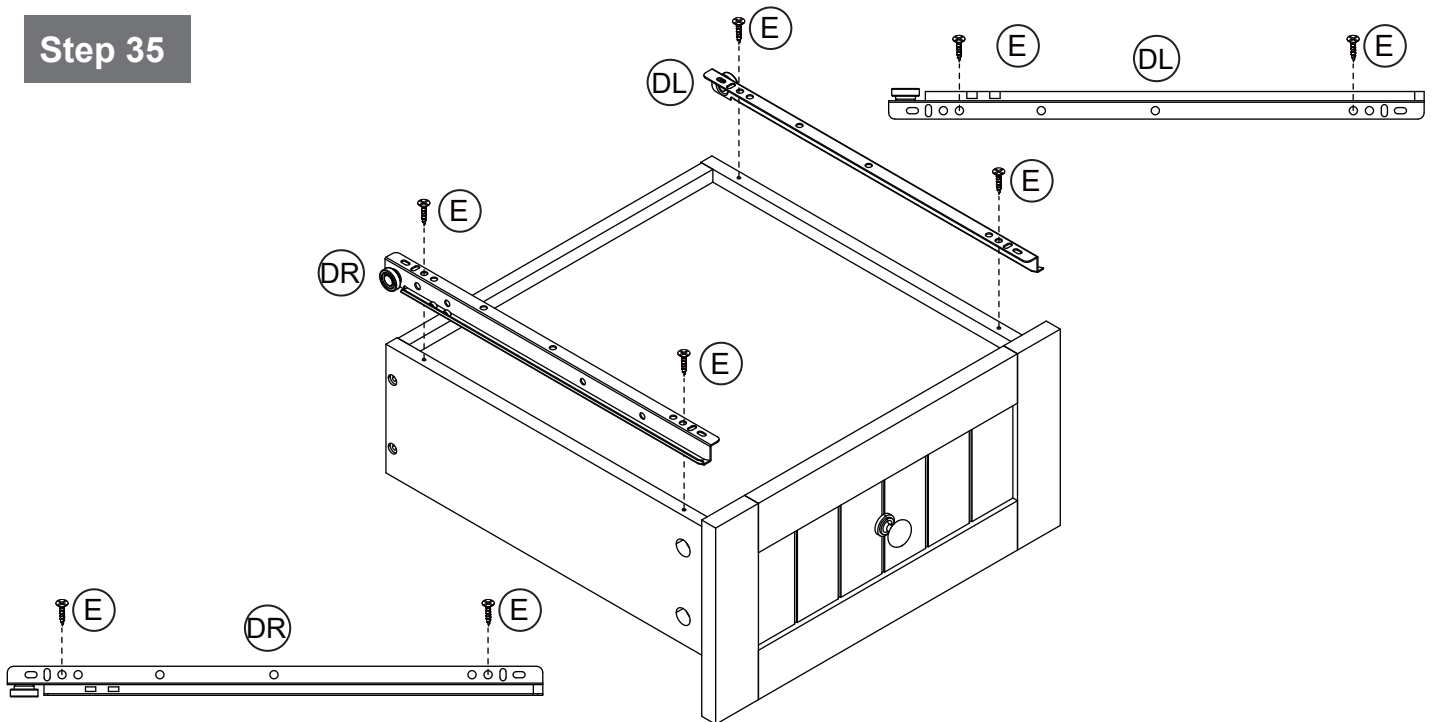


Hold hands x 3

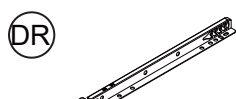


4\*10mm Screw x 3

## Step 35



3.5\*12mm Screw x 12



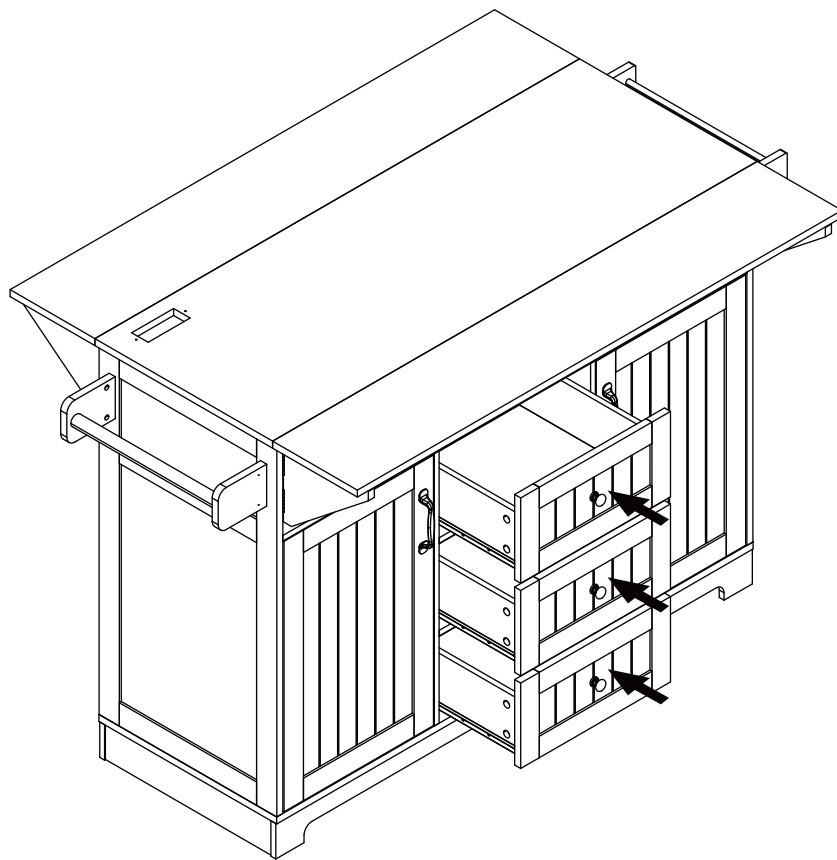
Runner 350mm x 3



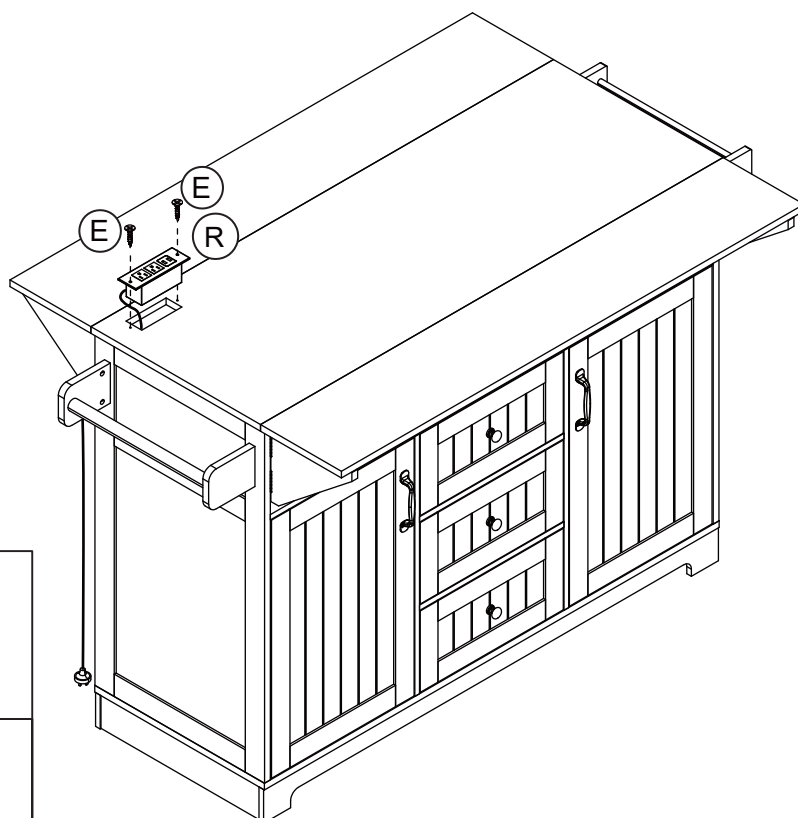
Runner 350mm x 3

# Assembly Instructions

## Step 36



## Step 37

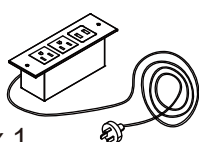


E



3.5\*12mm Screw x 2

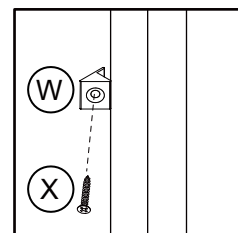
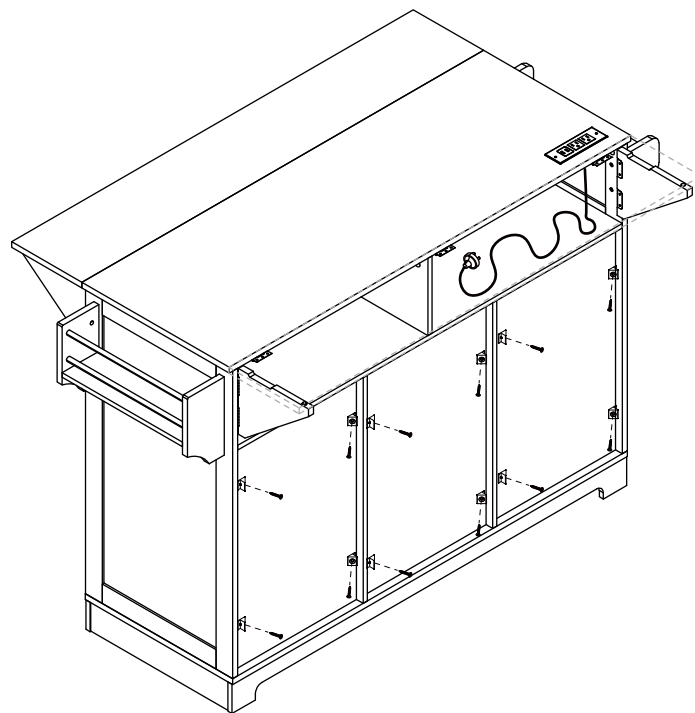
R



Pulley x 1

# Assembly Instructions

## Step 38

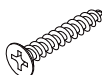


W



Back plate buckle x 12

X



3\*14mm Screw x 12

## Step 39

