

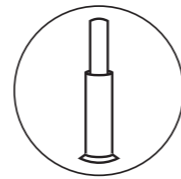
Wobble Stool

ACTIVE TASK CHAIR Assembly & Operating Instructions

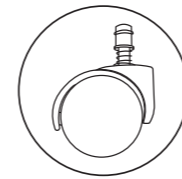
Parts:



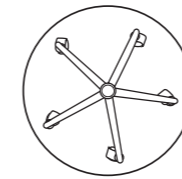
Seat
(1pc)



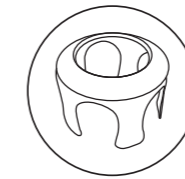
Gas Spring
(1pc)



Wheels
(4pc)



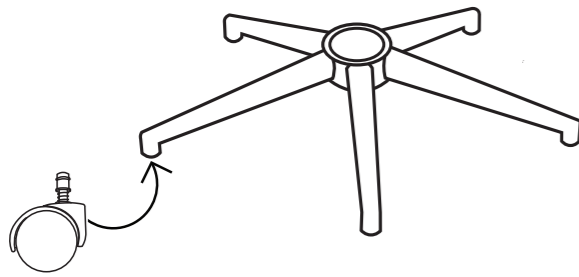
Metal Spoke
(1pc)



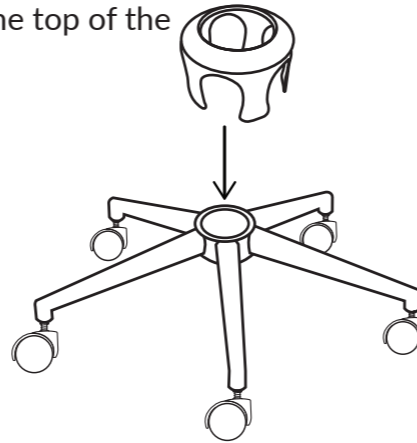
Metal Cover
(1pc)

Assembly Instructions:

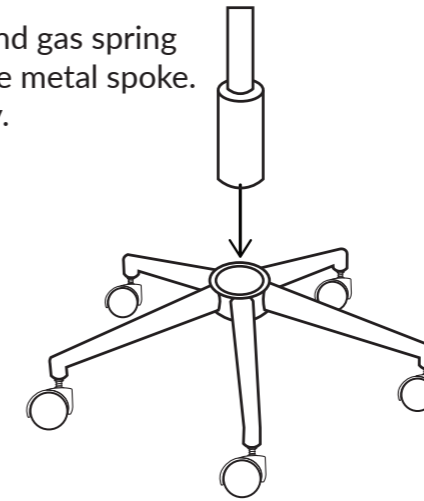
Step 1:
Press the wheels into the
bottom of the metal spoke.



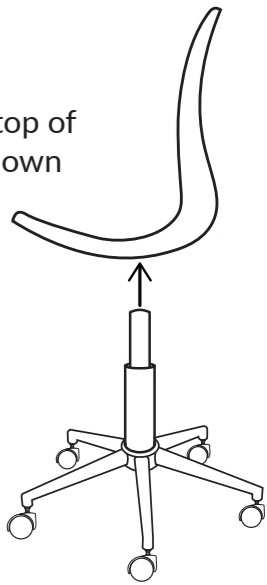
Step 2:
Ensure the metal cover is
connected to the top of the
metal spoke.



Step 3:
Insert the thick end gas spring
into the top of the metal spoke.
Press down finely.



Step 4:
Press the seat on the top of
the gas spring. Press down
finely.



Operating Instructions:

1. Ensure that the Active Task Chair is properly and safely assembled.
2. Press down firmly on the Seat to ensure that it is properly connected to the gas spring.
3. Once properly assembled and tested, sit on the Active Task Chair with both feet firmly on the floor. The unique seat allows gentle, controlled motion in all directions. Become familiar with the seat motion in a safe environment.
4. To raise the seat: squeeze the under-seat lever
5. To lower the seat: squeeze the under-seat lever while sitting or pressing down on the seat

WARNING! DO NOT LEAN BACK. To reduce fall risk, do not tip Active Task Chair past vertical.
WARNING! Not for use by children.
WARNING! Do not use with only 1 foot or no feet on the ground.