

INSTRUCTION MANUAL

12FT x 18FT Gazebo

Series A46

**IF YOU PURCHASED THE GAZEBO ONLINE AND HAVE ANY
QUESTIONS OR CONCERNS
PLEASE CONTACT US WITH EMAIL OR TEXT**

**Email : Hiwarrantyservice@outlook.com
Text : +1 628 263 4608**



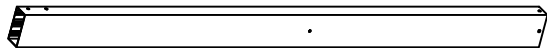
A 4x



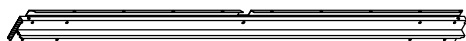
B1 4x



B2 4x



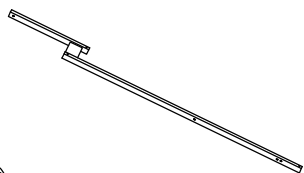
A2 2x



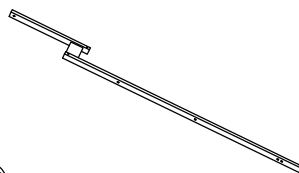
B8 2x



D 4x



D1 2x



D2 6x



C1 4x



C2 4x



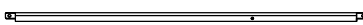
C11 4x



F1 4x



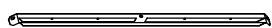
F2 4x



F5 4x



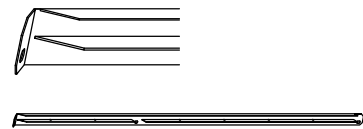
F8 3x



G1 2x



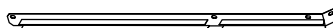
G7 2x



G8 2x



I1 2x



I7 2x



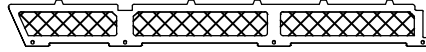
I8 2x



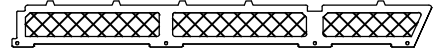
L5A 1x



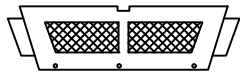
M5 1x



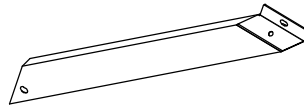
V5a 2x



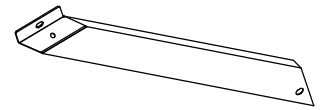
V5b 2x



V1 2x



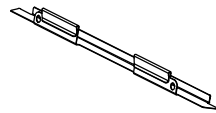
H 4x



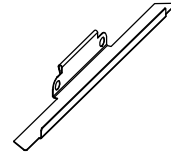
H1 4x



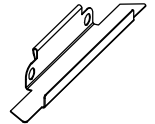
E5 4x



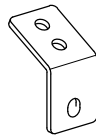
Z 64x



Z1 8x



Z2 8x



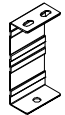
Q1 8x



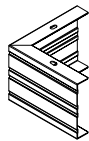
N 12x



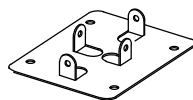
N1 10x



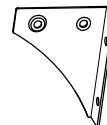
K1 6x



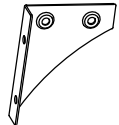
K 4x



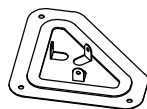
J1 2x



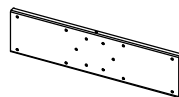
W1 2x



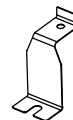
W2 2x



J 4x



P 6x



V 6x



Y 92x



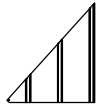
U 144x



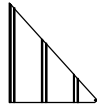
Q3 8x



Q4 8x



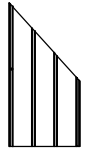
X1 4x



X2 4x



X3 4x



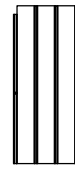
X4 4x



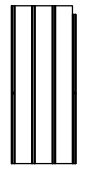
X5 4x



X6 4x



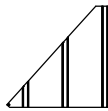
X7 2x



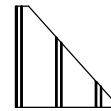
X8 2x



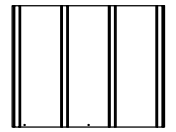
X9 2x



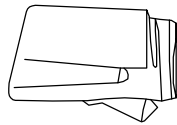
S1 4x



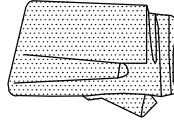
S2 4x



S3 6x



T 4x + 2x



T1 4x + 2x



M6x15

1 244x



M6x23

2 80x



M6x25

3 12x



ST 4.8x12

4 8x



5 3x



M6x45

7 12x



8 16x

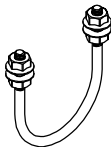


M6x10

9 12x



10 20x



11 1x



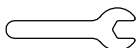
12 2x

4mm



13 1x

6mm



14 1x



M5x15

15 32x

<1>

A 4x

A2 2x

J 4x

J1 2x

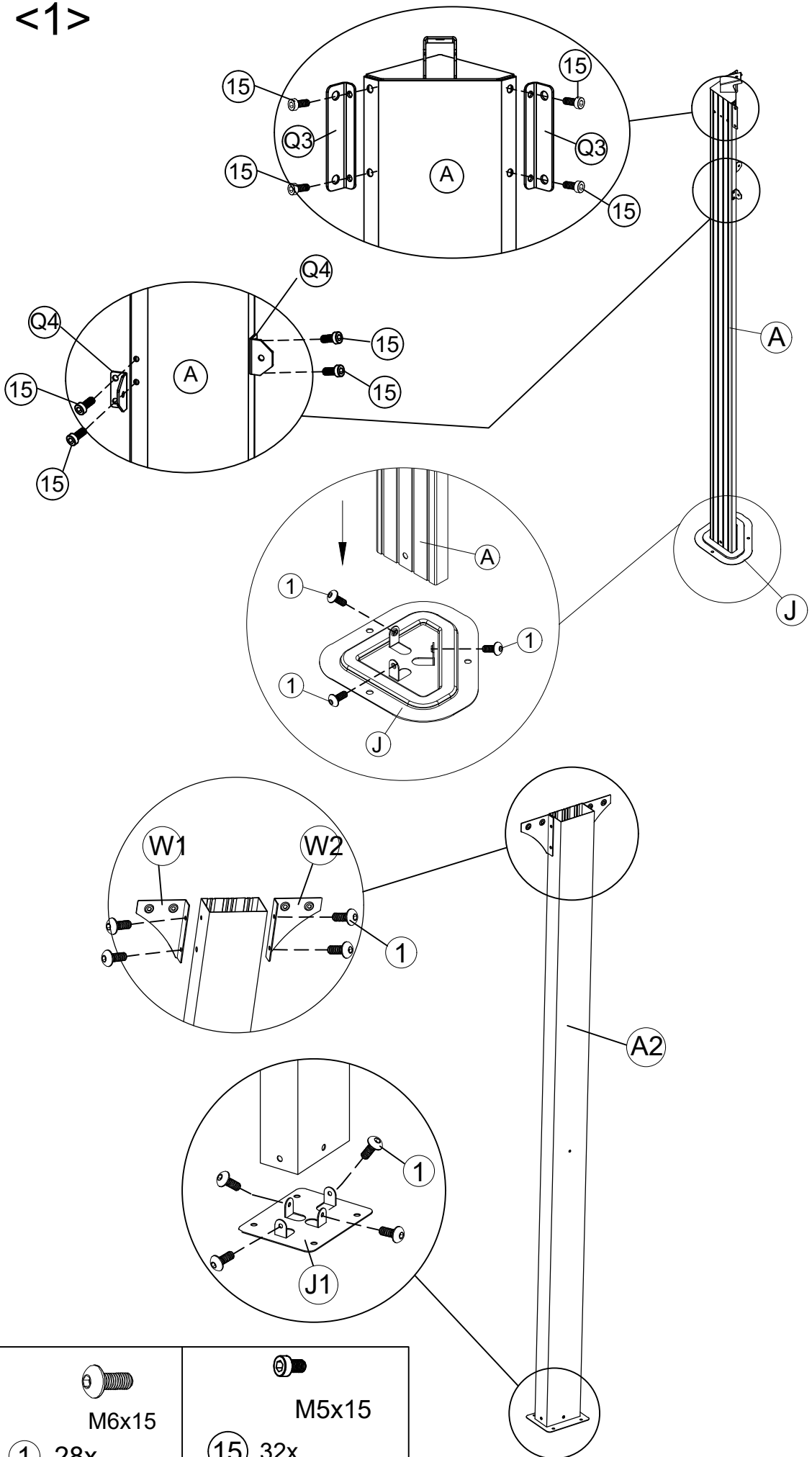
W1 2x

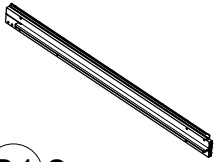
W2 2x

Q3 8x

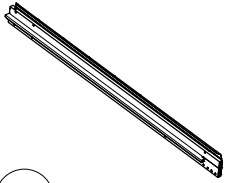
Q4 8x

5

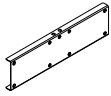




B1 2x



B2 2x



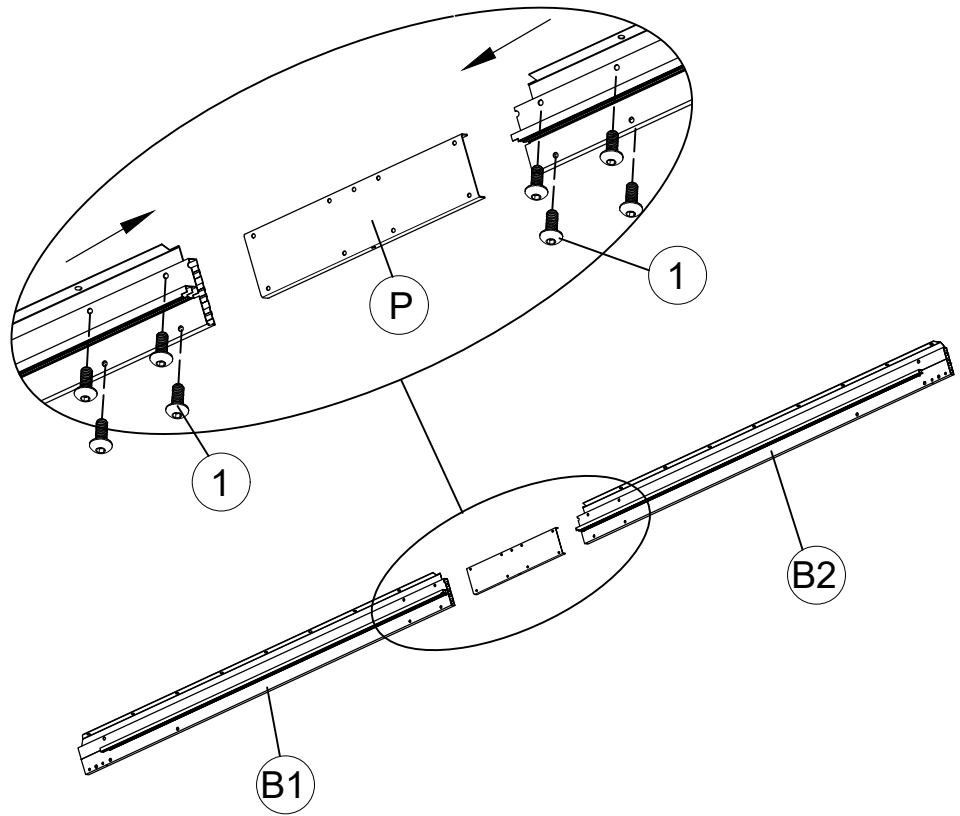
P 2x



M6x15

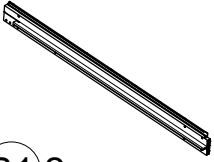
1 16x

<2>

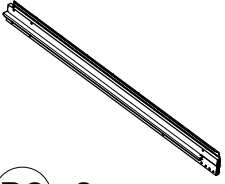


6

<3>



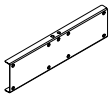
B1 2x



B2 2x



B8 2x

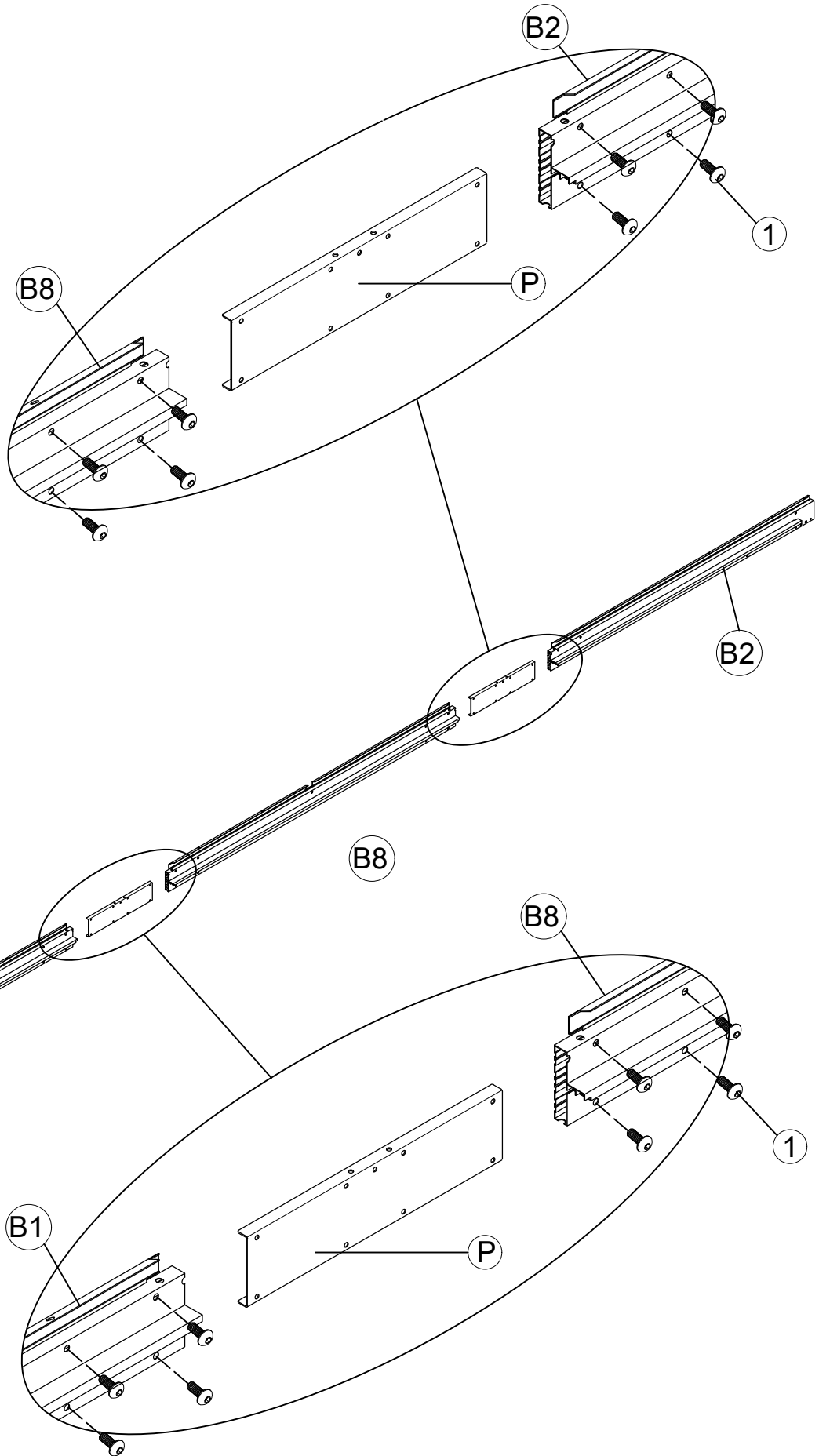


P 4x



M6x15

1 32x



<4>

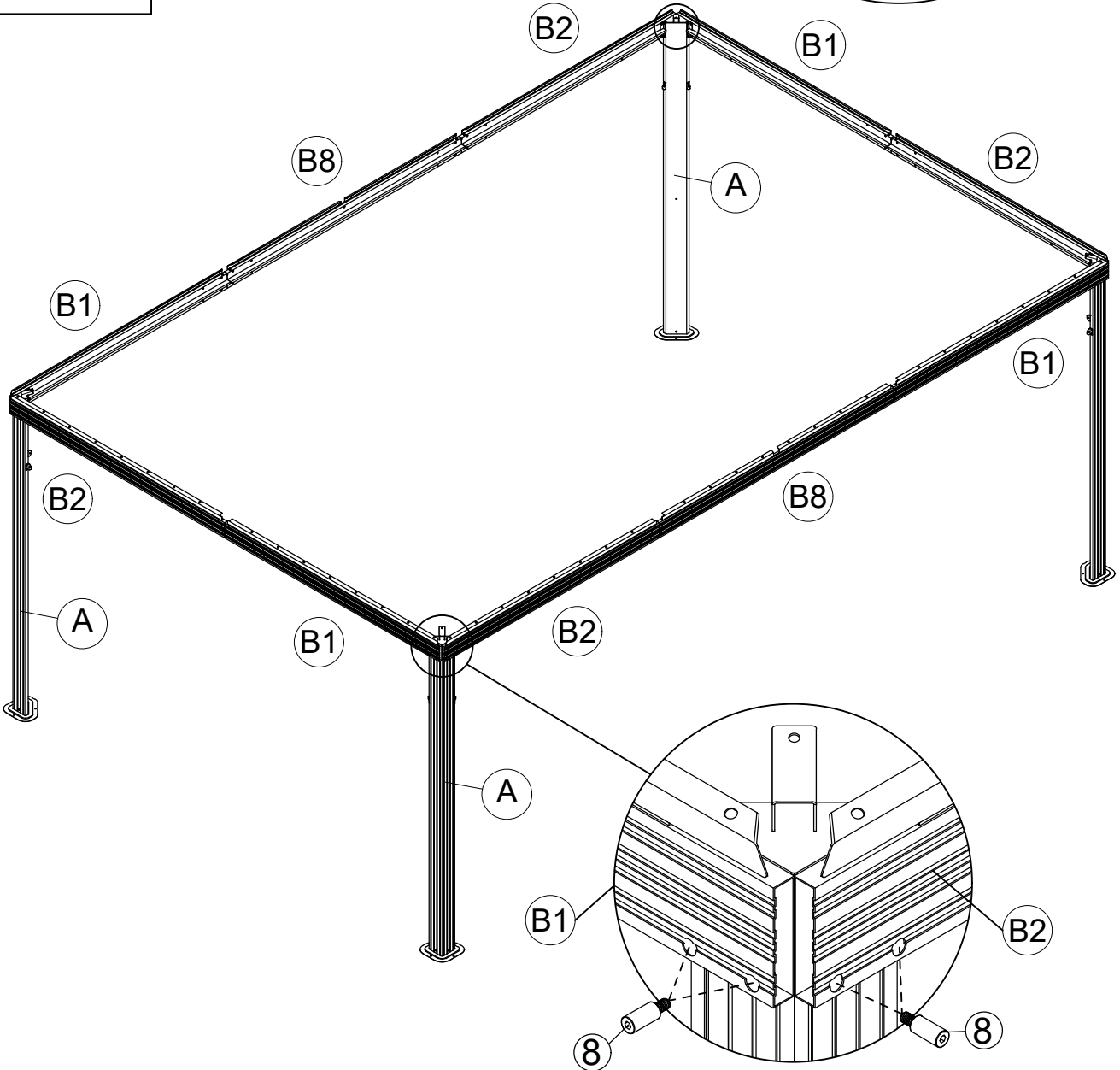
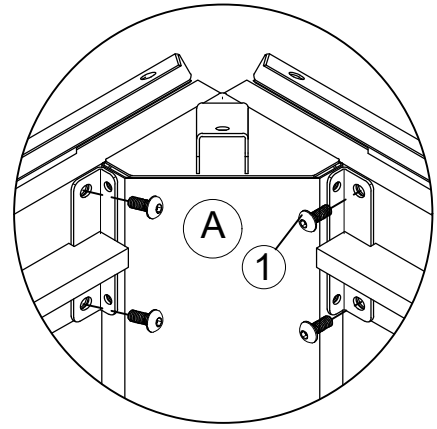


8 16x

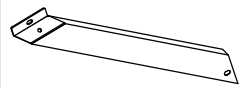


M6x15

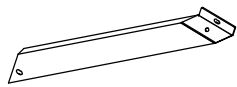
1 16x



8



H1 4x



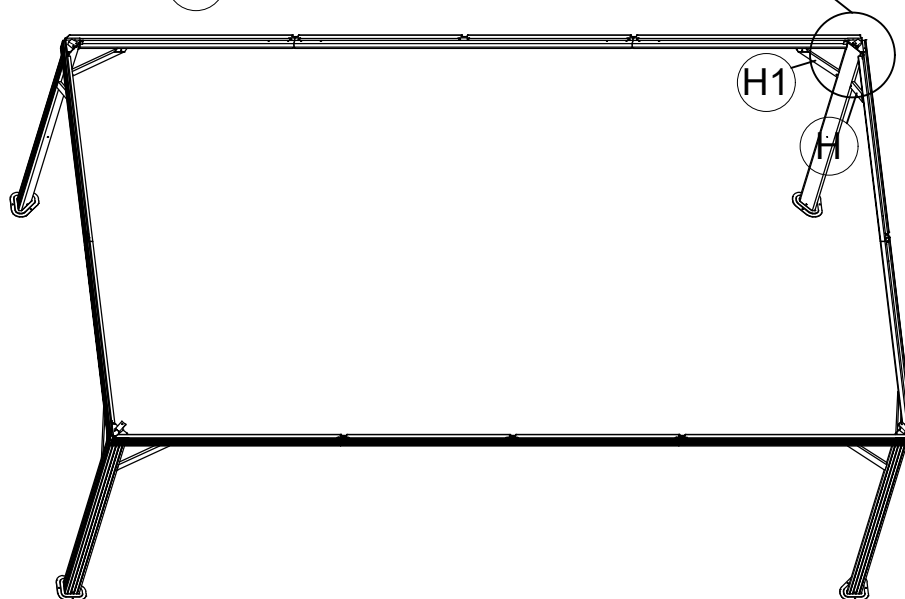
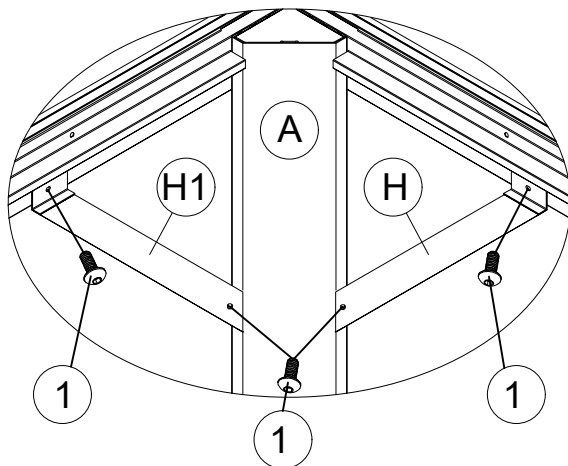
H 4x



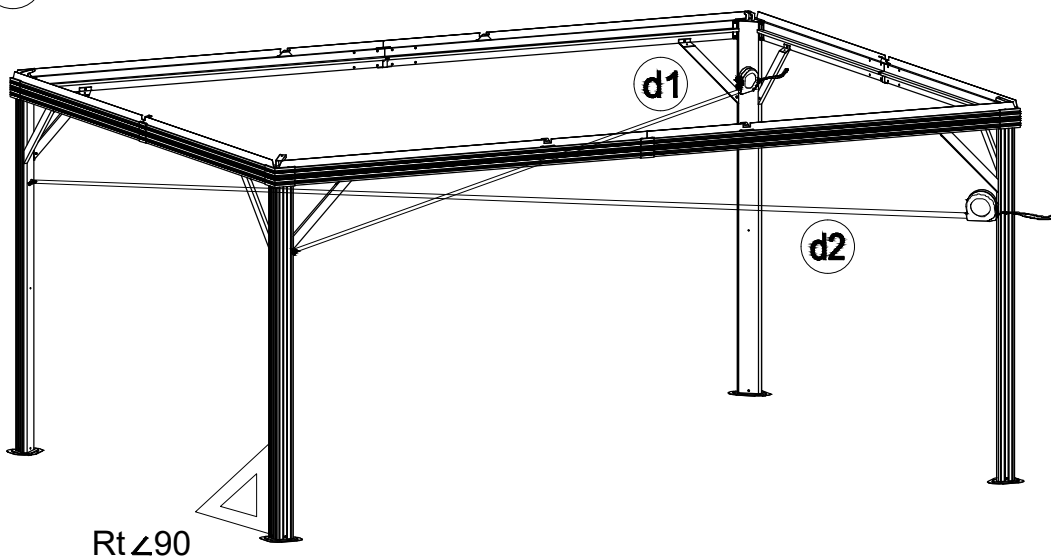
M6x15

1 16x

<5>



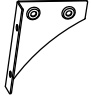
i d1=d2



Tips: Please measure to make sure the length of d1 is equal to d2 before moving to next step to ensure a square frame and best results. Keep the beam at right angles to the post, the post at right angles to the ground, and keep the beam horizontal.



W1 2x



W2 2x



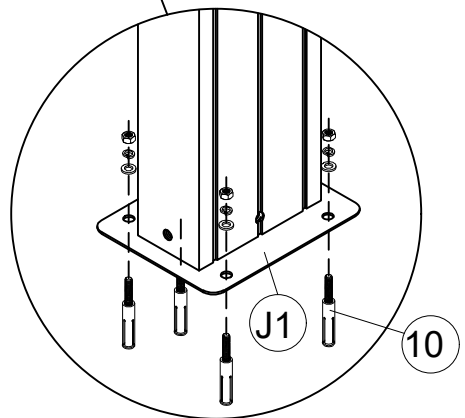
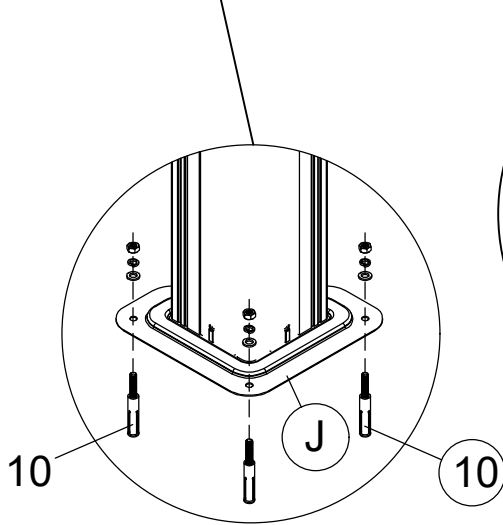
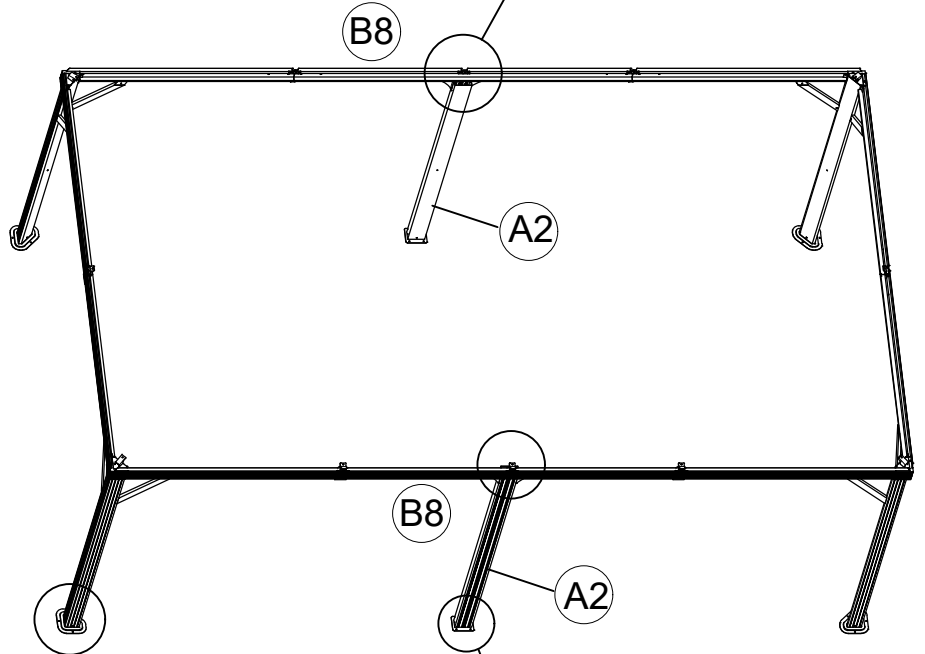
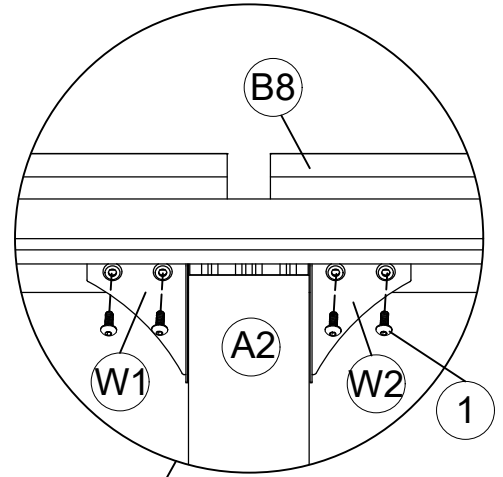
M6x15

1 8x


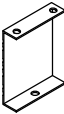

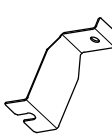




10 20x

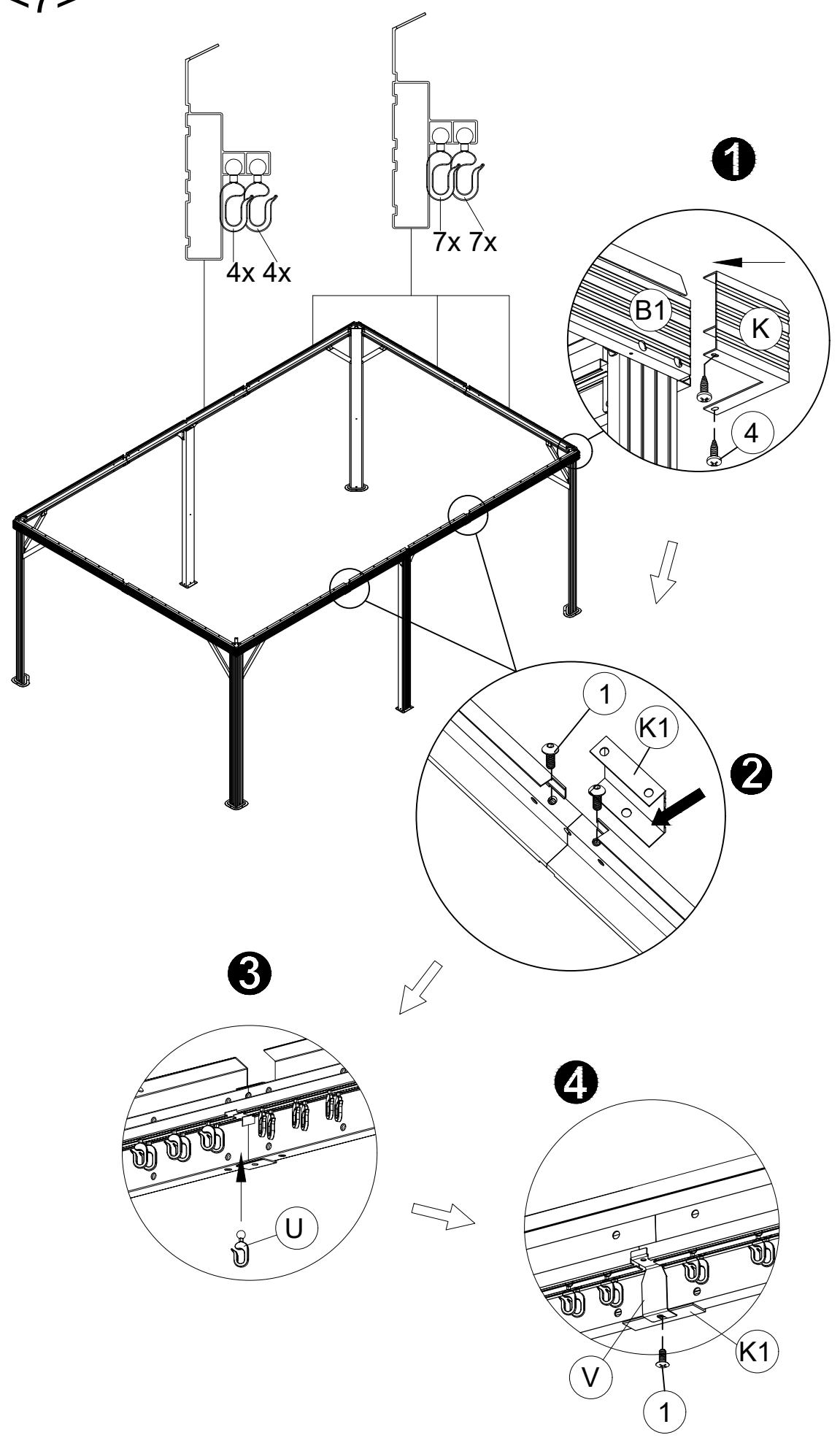
<6>

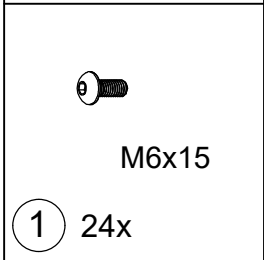
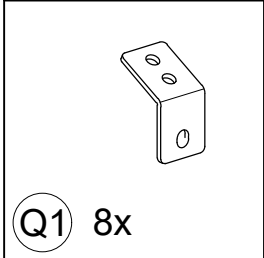
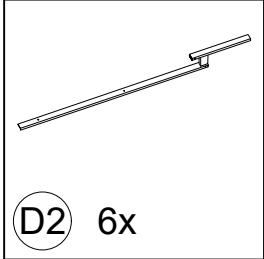
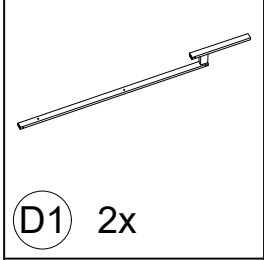
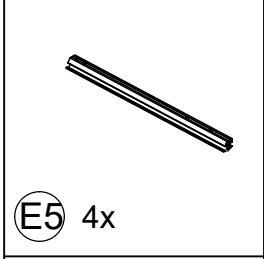
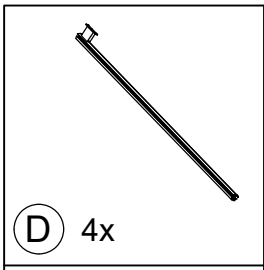


10

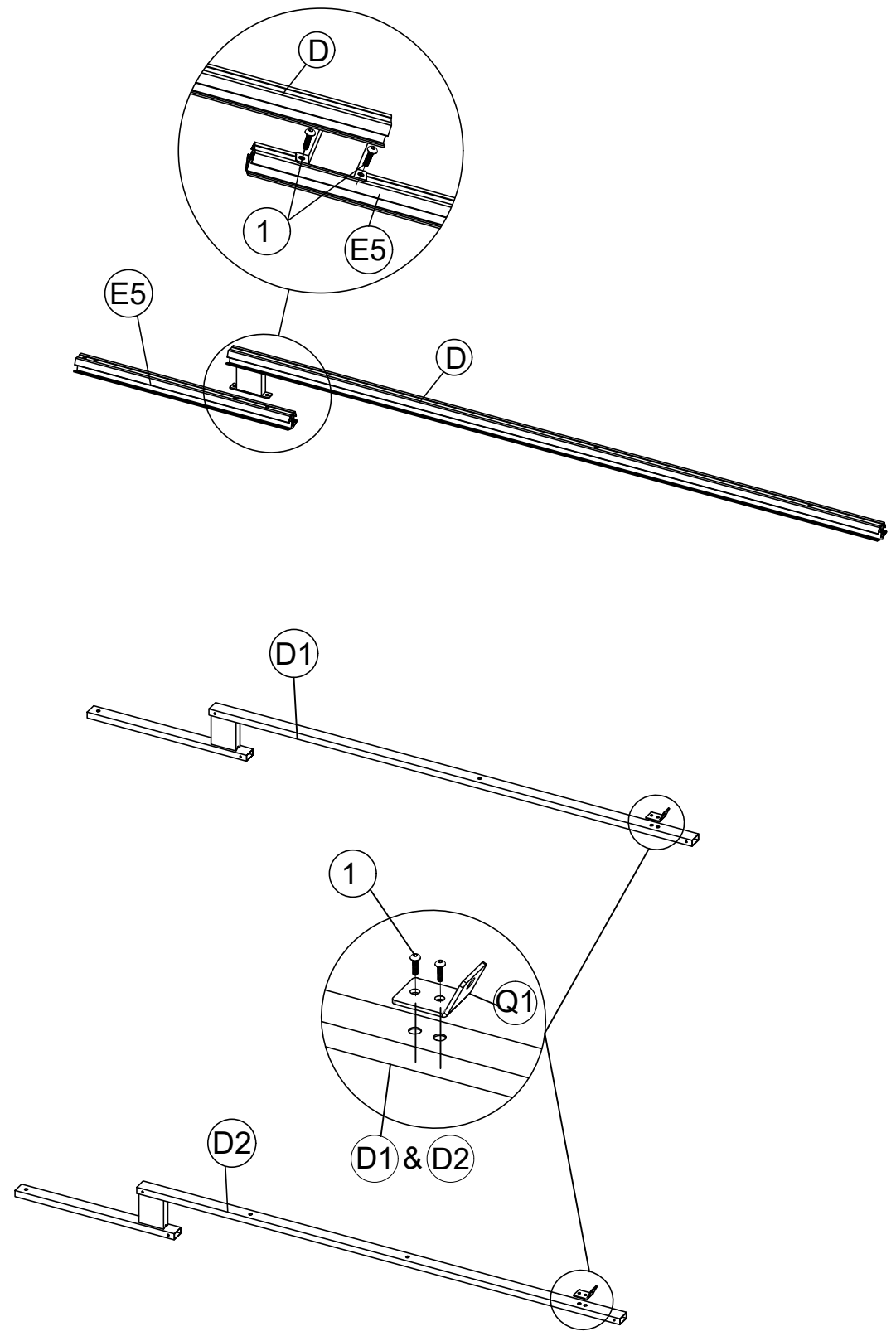
-  **K** 4x
-  **K1** 6x
-  **U** 144x
-  **V** 6x
-  **1** 18x
M6x15
-  **4** 8x
ST4.8x12
- 11**

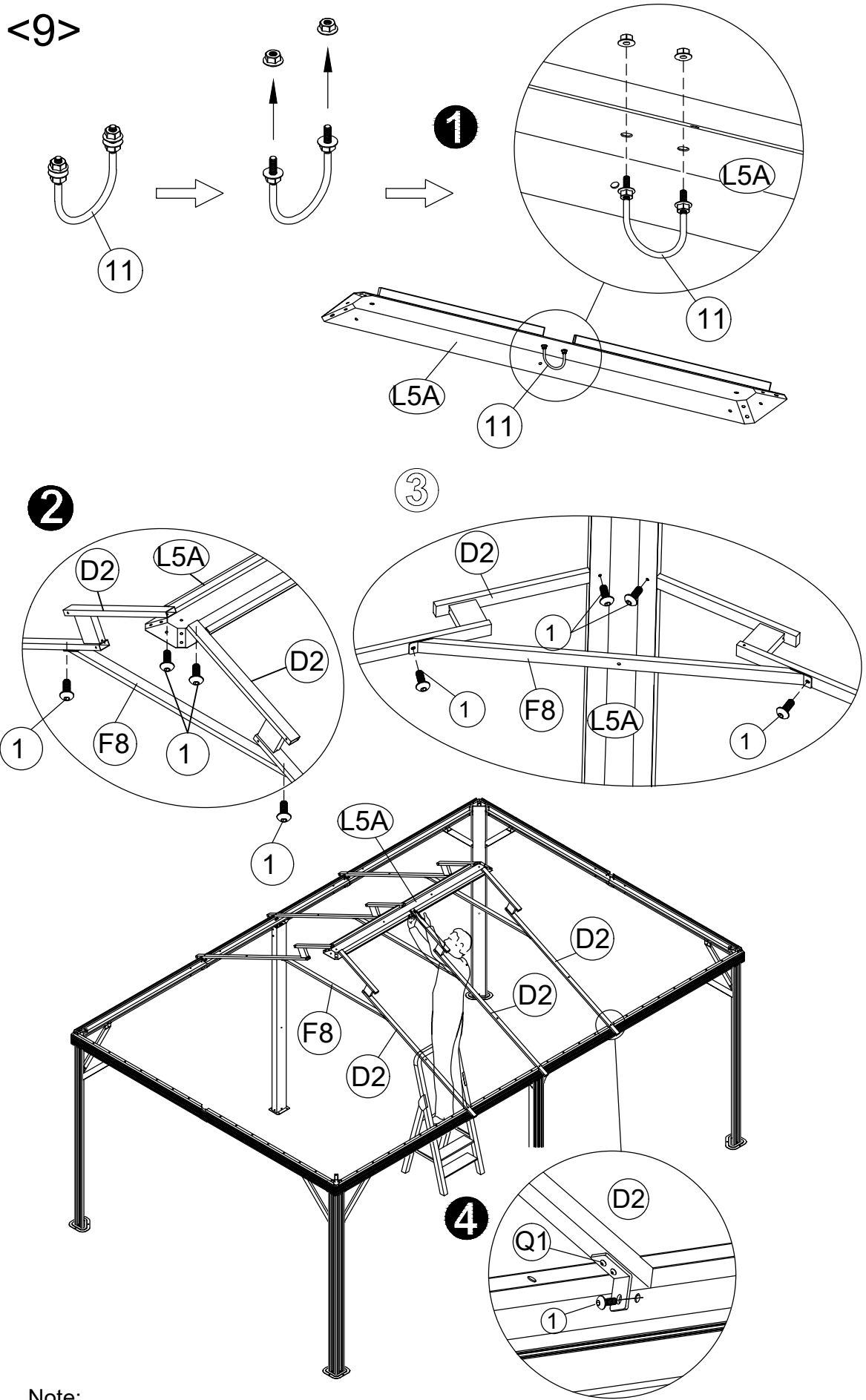
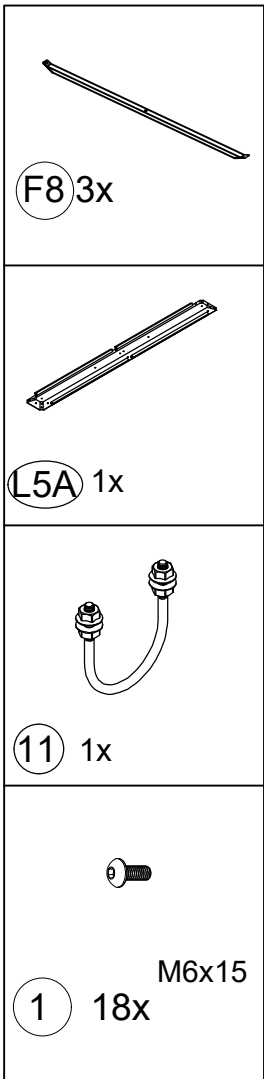
<7>





<8>





Note:

1. Let one person stand on the ladder to lift "L5A" and hold and let others fasten the screws connecting both ends of "D2".
2. Please do not let go of holding "L5A" until all the "D2" screws are installed.



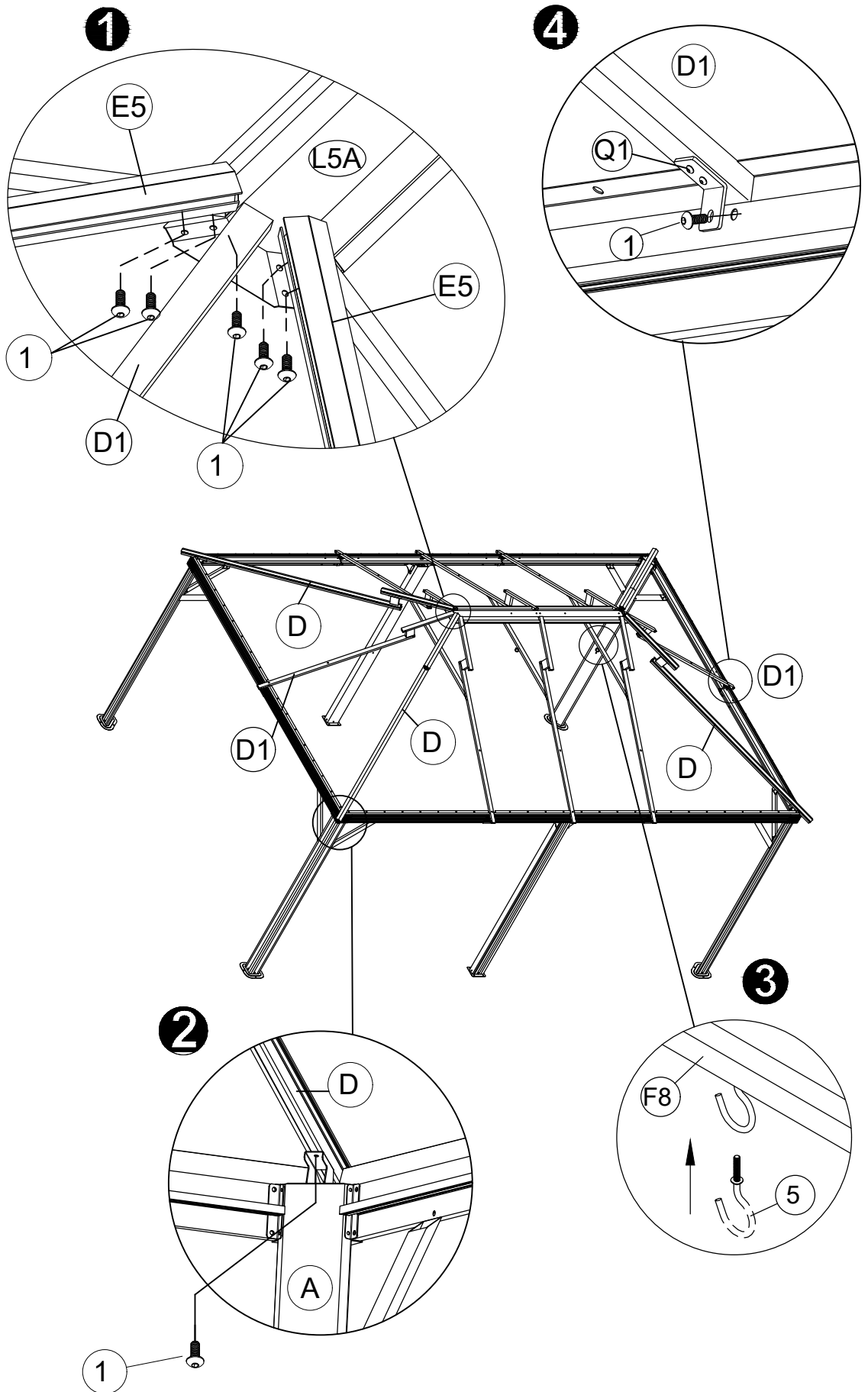
5 3x



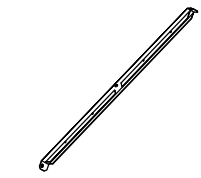
M6x15

1 16x

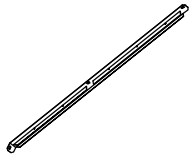
<10>



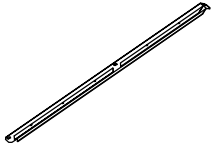
<11>



G1 2x



G7 2x



G8 2x



N 4x



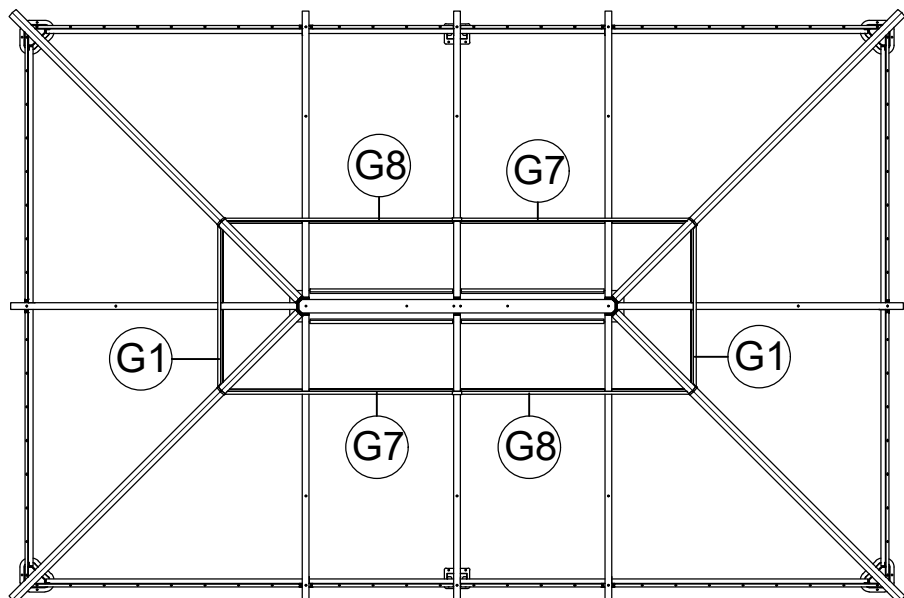
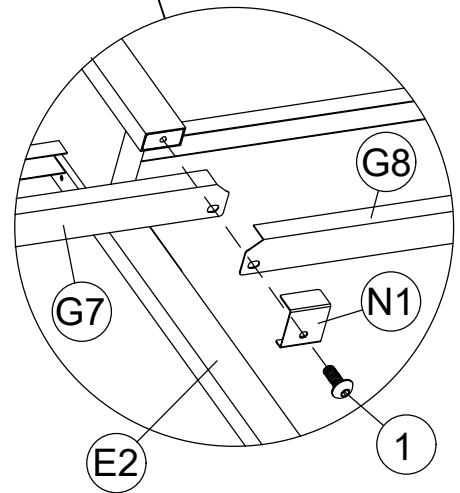
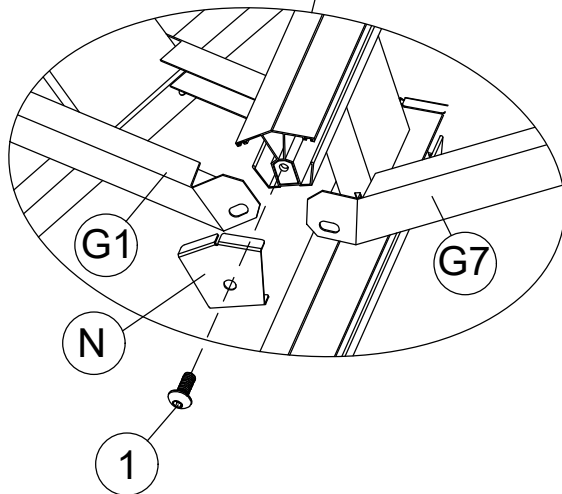
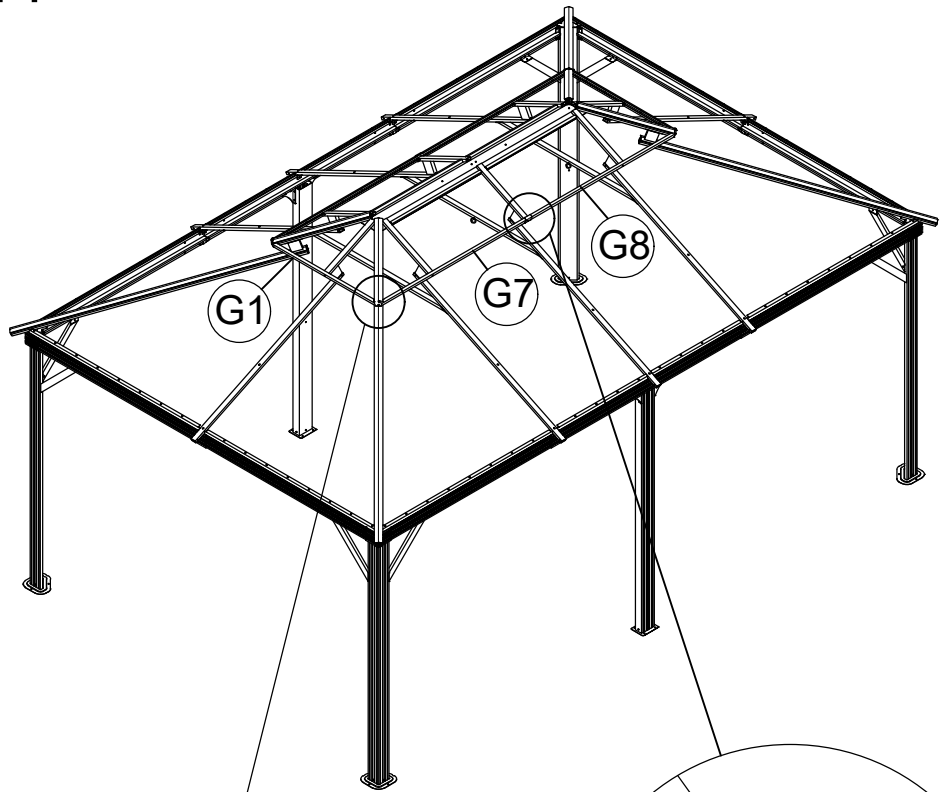
N1 2x



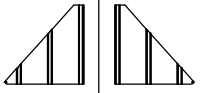
M6x15

1 12x

15



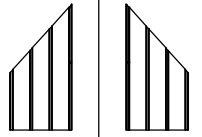
<12>



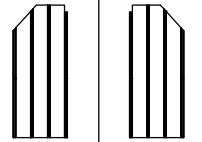
(S1) 2x (S2) 2x



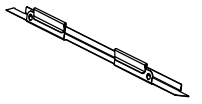
(X1) 2x (X2) 2x



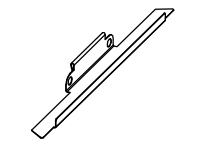
(X3) 2x (X4) 2x



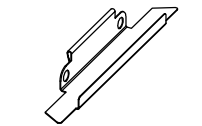
(X5) 2x (X6) 2x



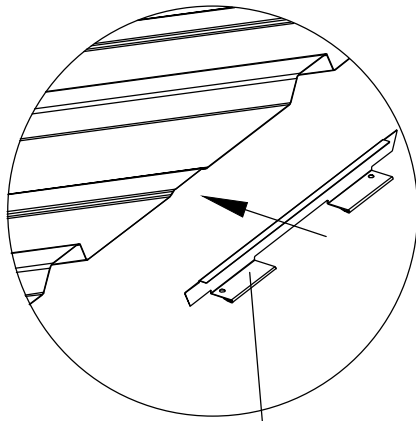
(Z) 32x



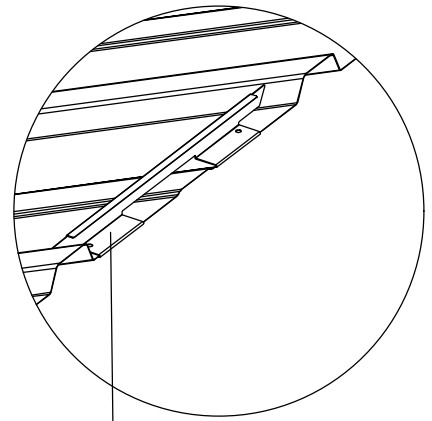
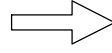
(Z1) 4x



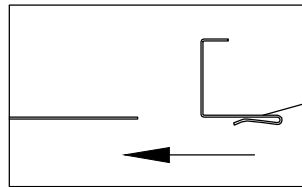
(Z2) 4x



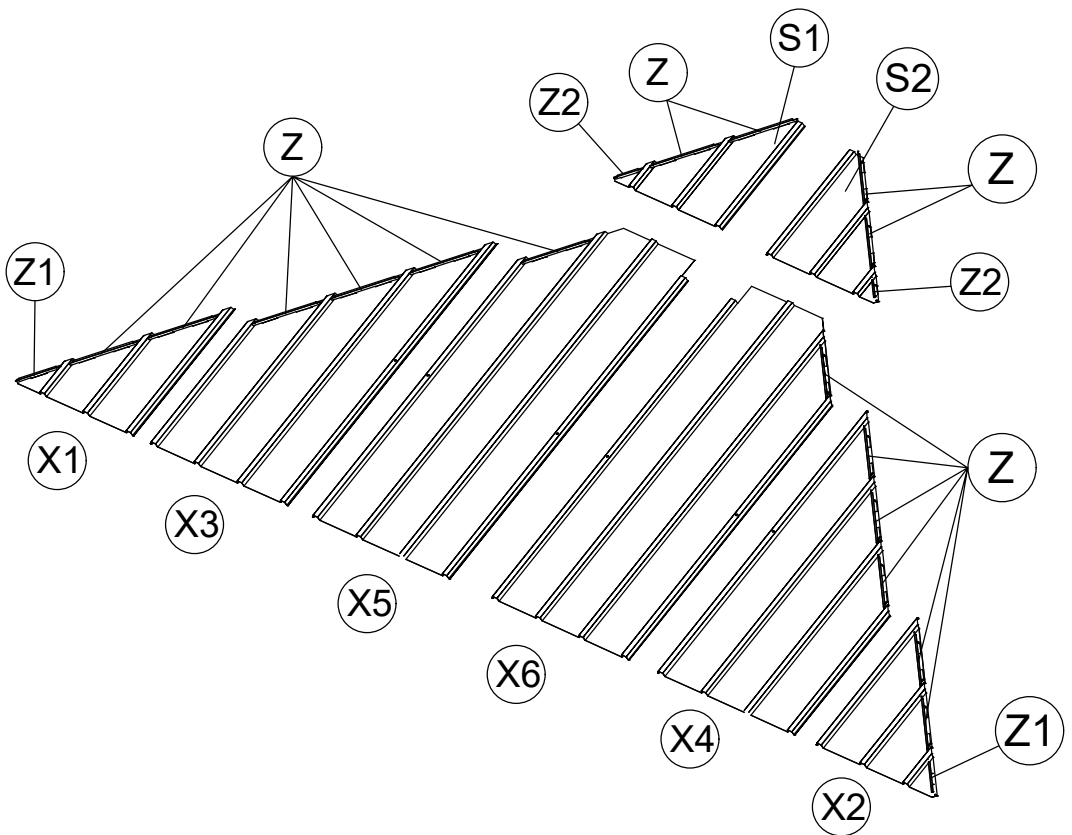
(Z) or (Z1) or (Z2)



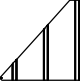
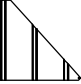
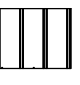
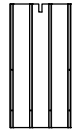
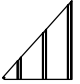
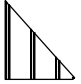
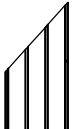
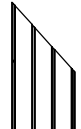
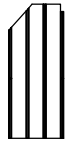
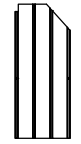
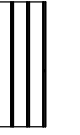
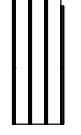
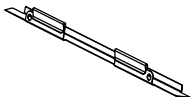
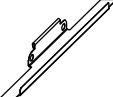
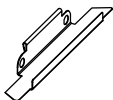
(Z) or (Z1) or (Z2)

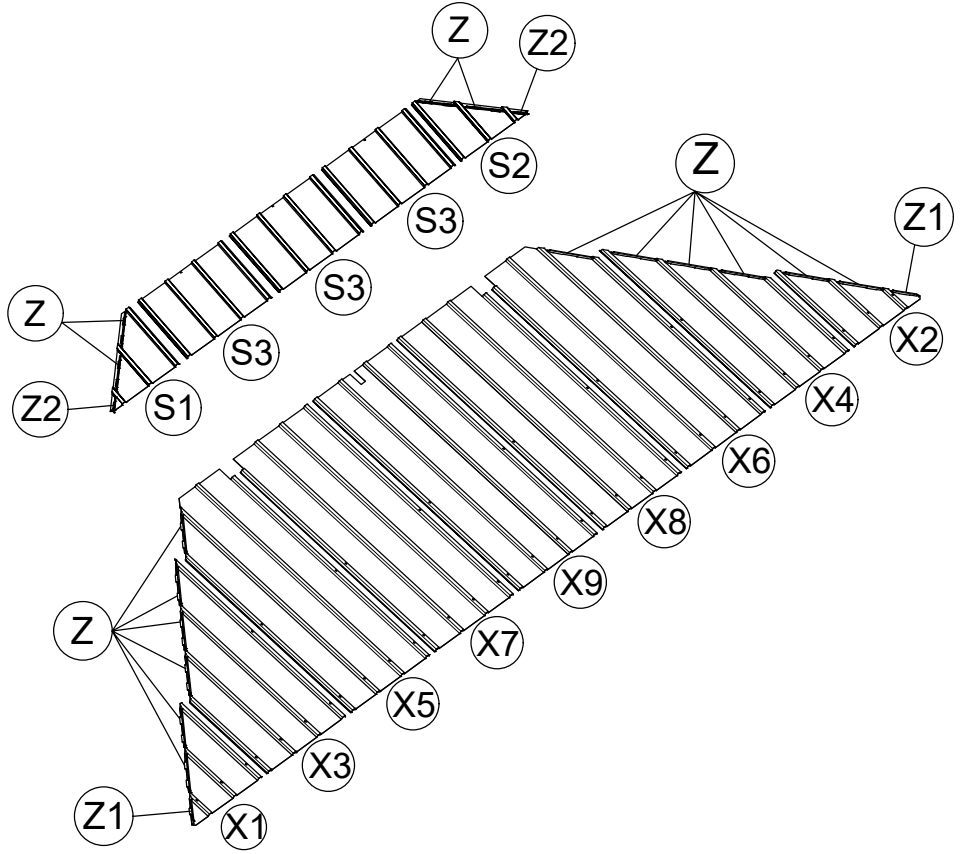
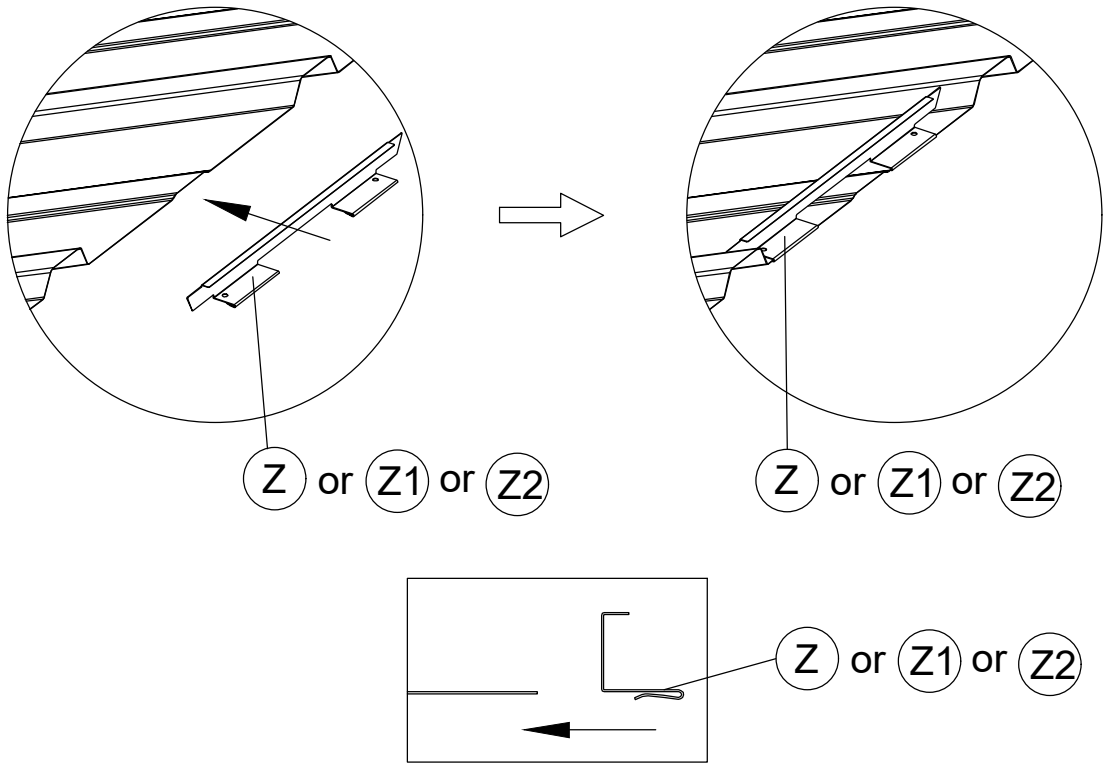


(Z) or (Z1) or (Z2)

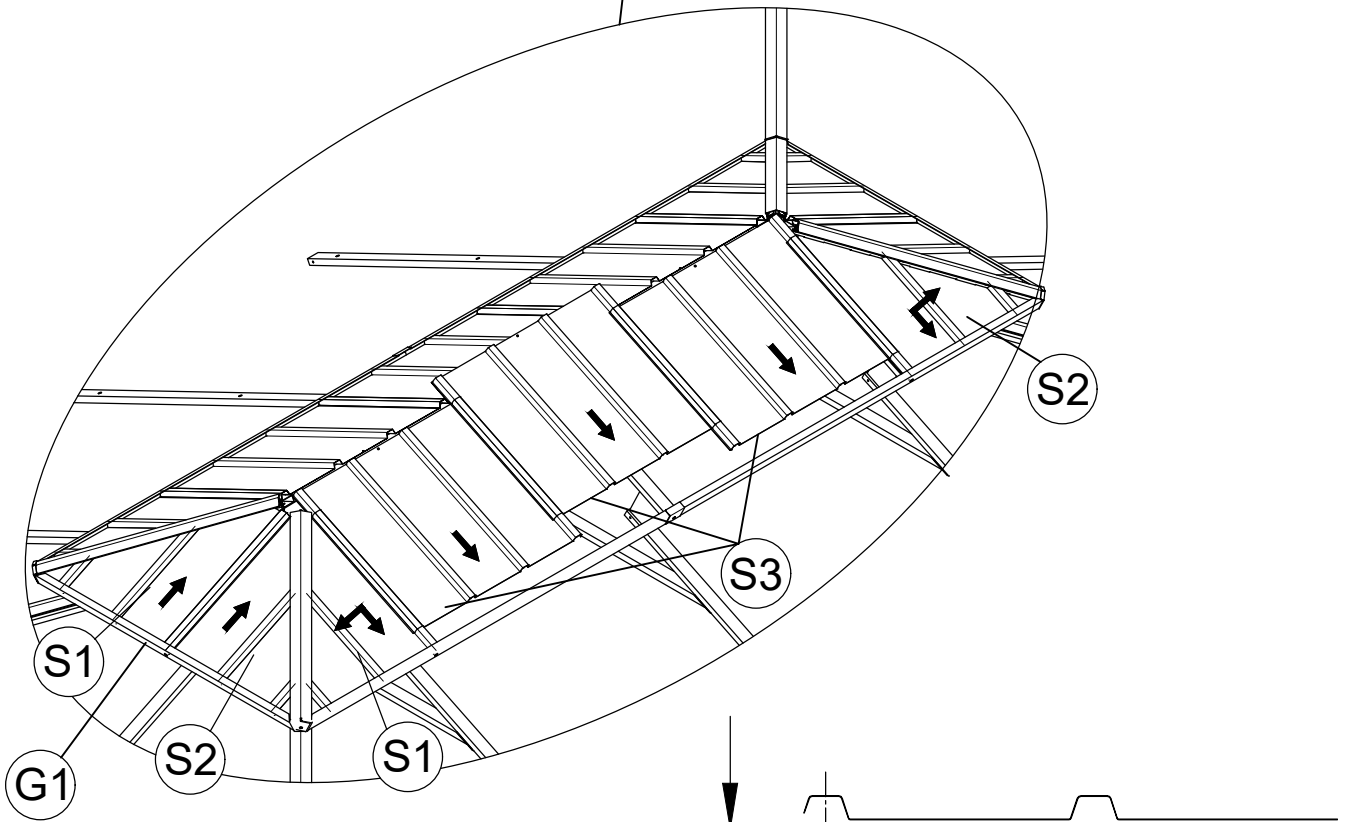
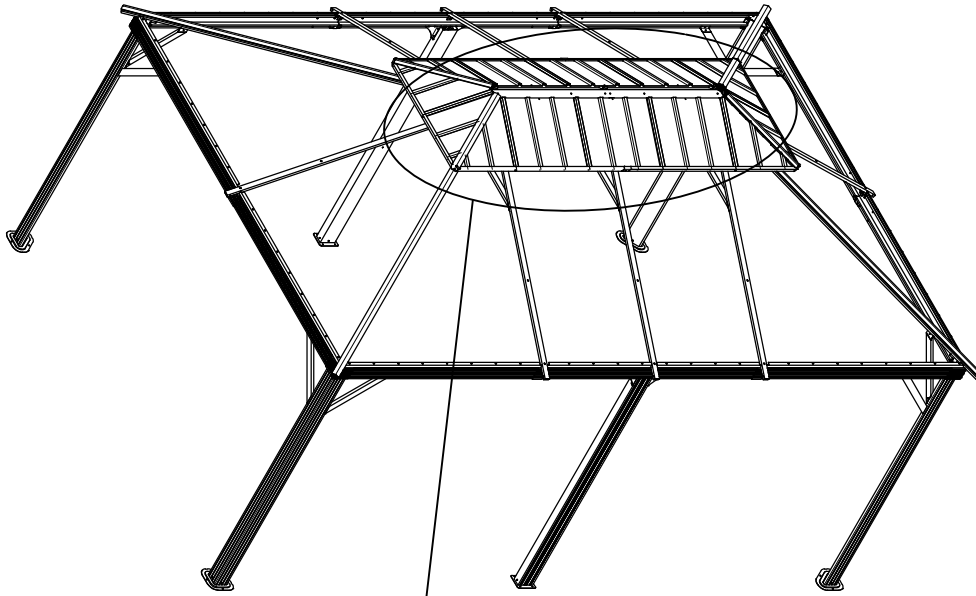


<13>

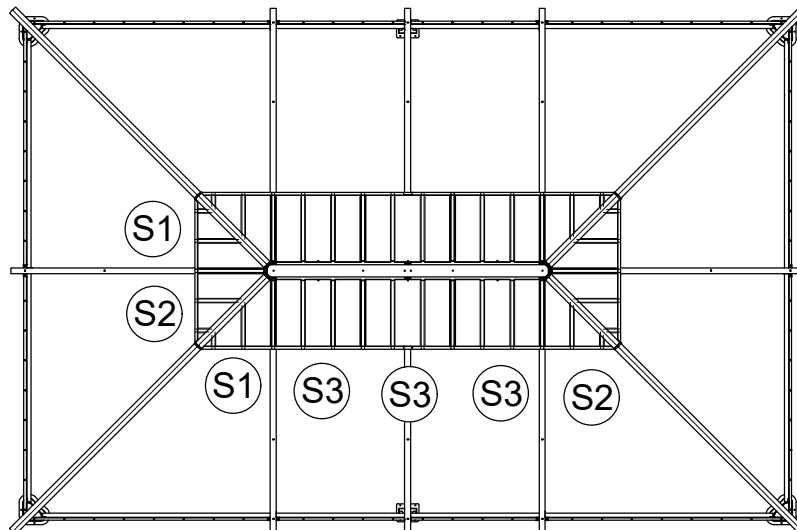
	
(S1) 2x	(S2) 2x
	
(S3) 6x	(X9) 2x
	
(X1) 2x	(X2) 2x
	
(X3) 2x	(X4) 2x
	
(X5) 2x	(X6) 2x
	
(X7) 2x	(X8) 2x
	
(Z) 32x	
	
(Z1) 4x	
	
(Z2) 4x	

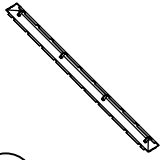


<14>



When installing the Roof plates (S2) onto short side, pls detach the right end of Roof Rib(G1) first. And then install the right end of Roof Rib (G1) again after S2 is installed.





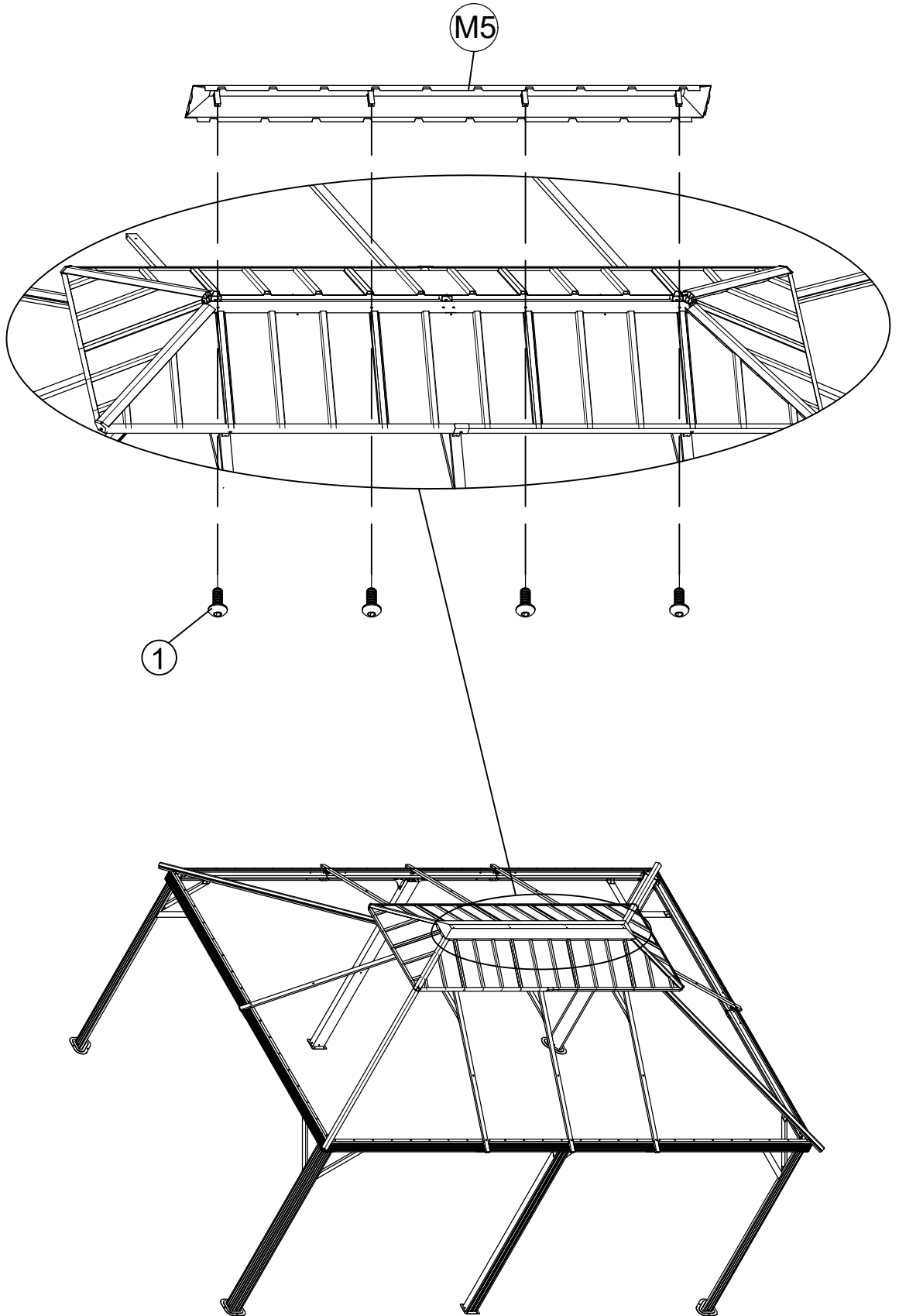
<15>

M5 1x



M6x15

① 4x



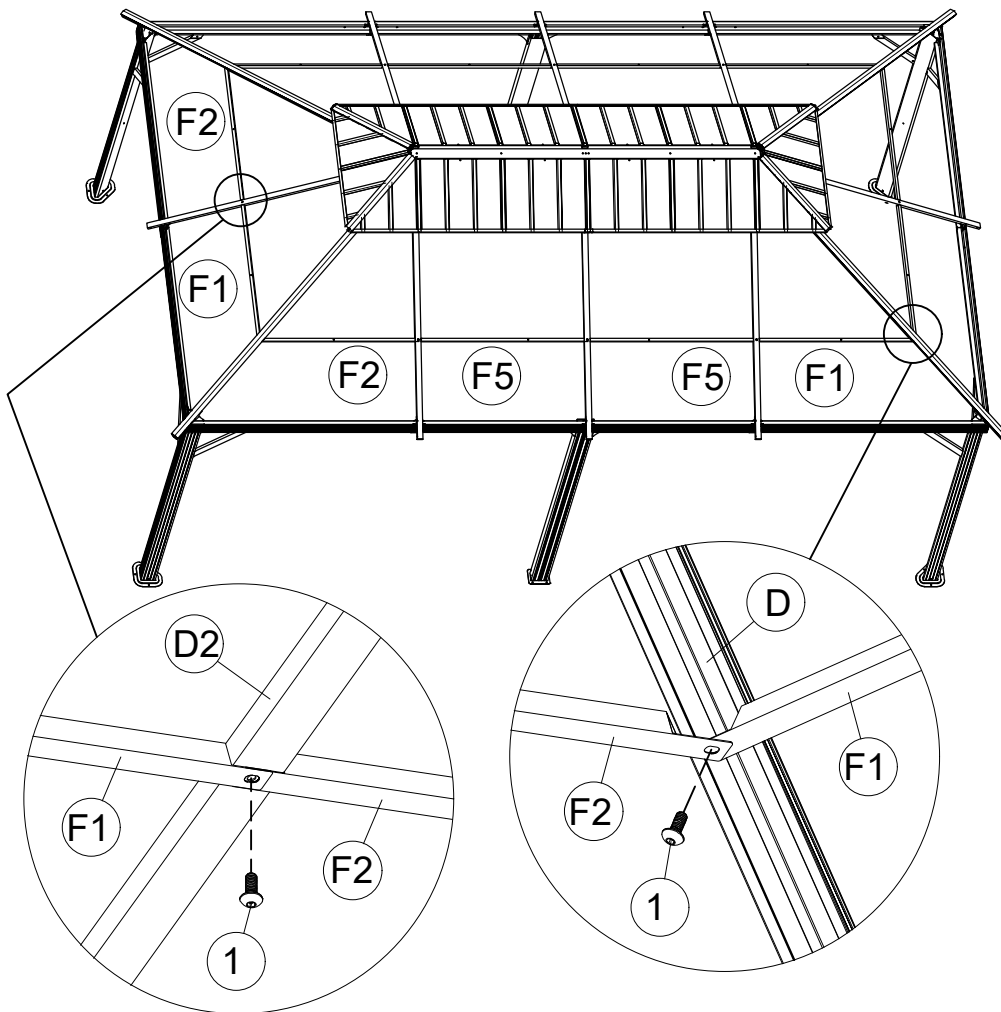
<16>

F1 4x

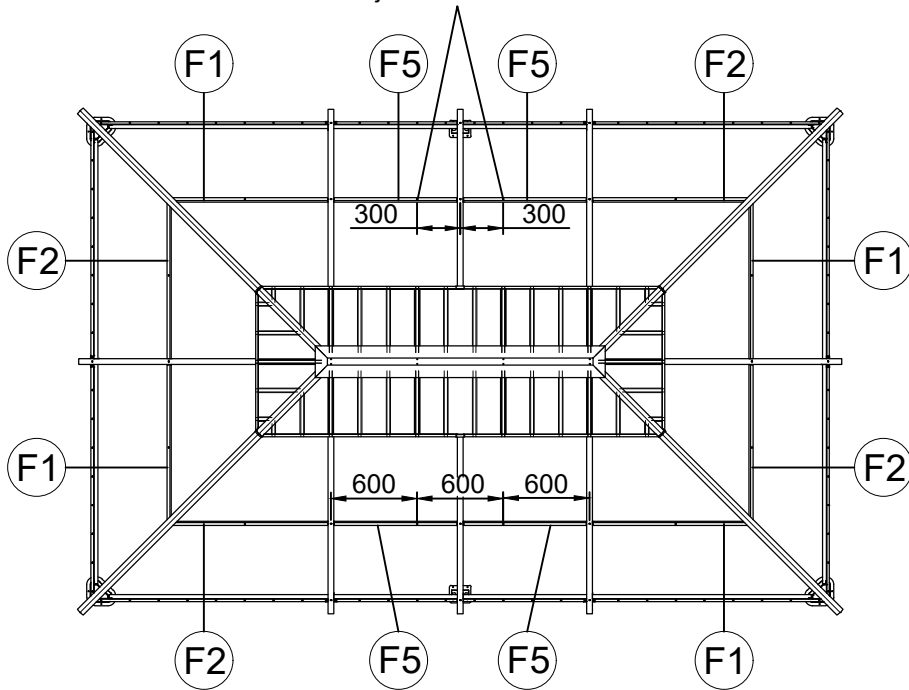
F2 4x

F5 4x

1 12x M6x15

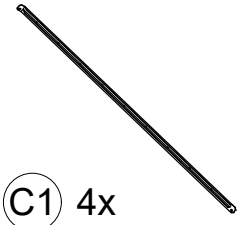


The two offset holes should be near the middle ejector rod



20

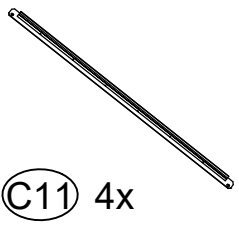
<17>



C1 4x



C2 4x



C11 4x



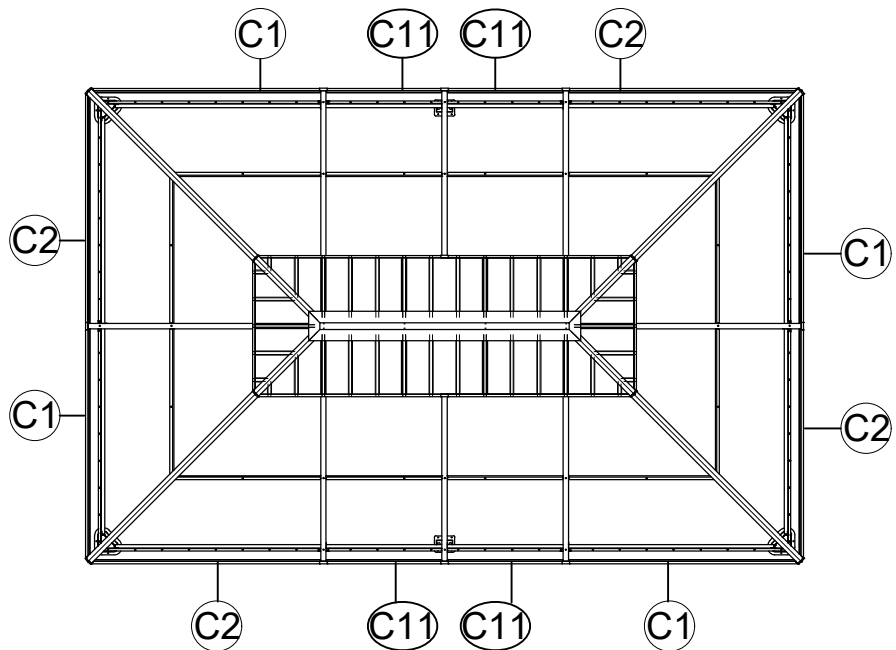
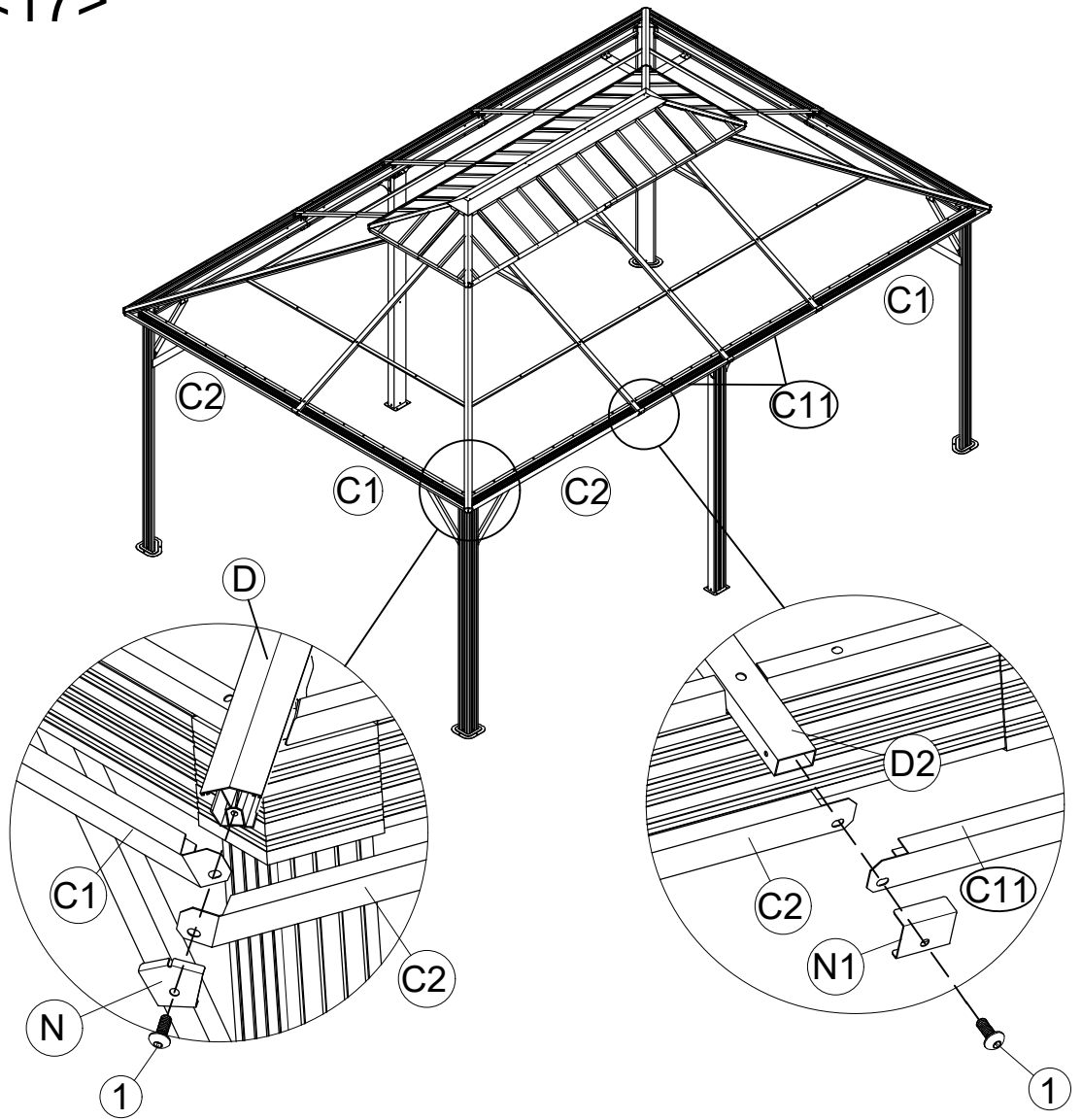
N 4x



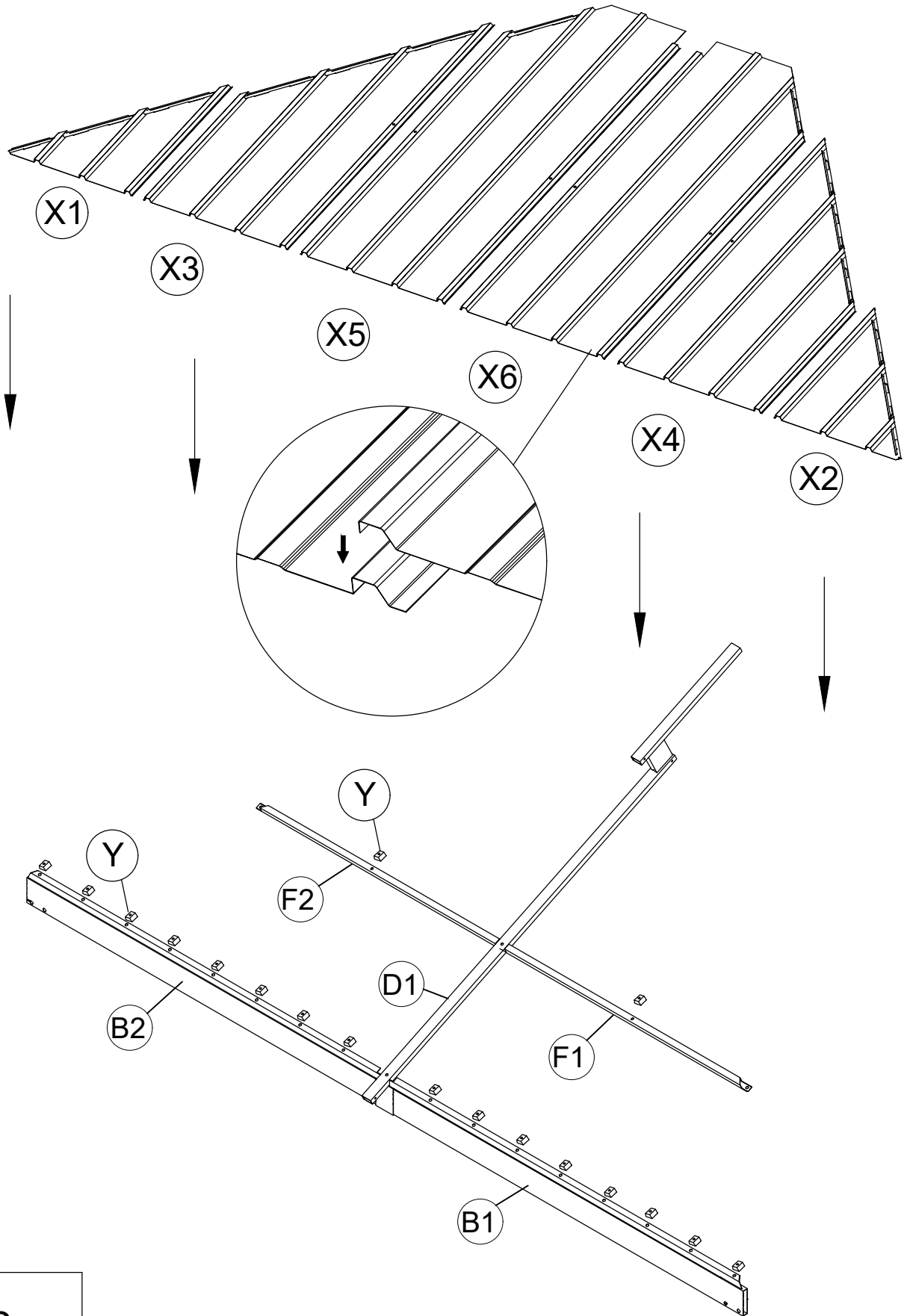
N1 8x



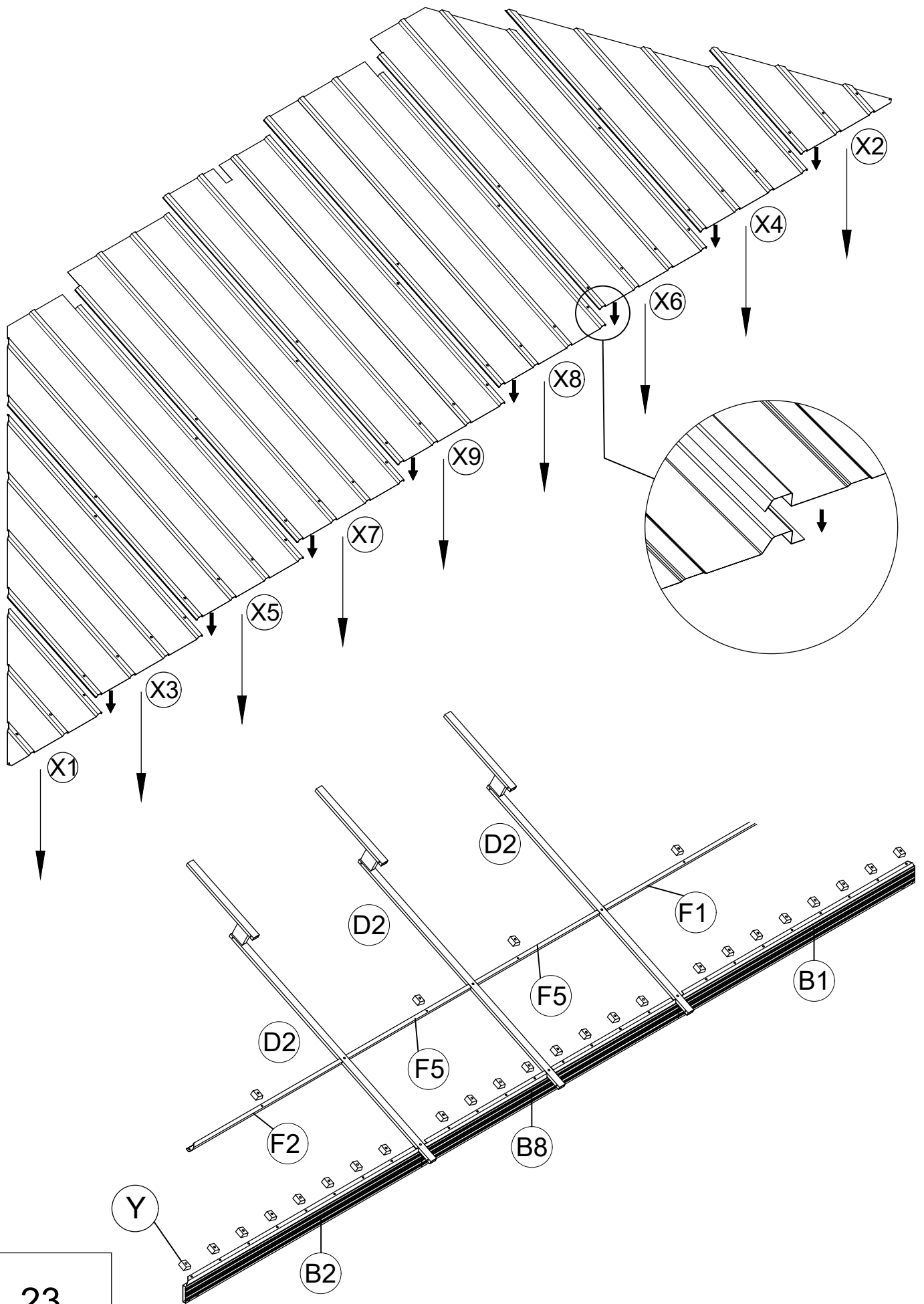
1 12x M6x15



<18>

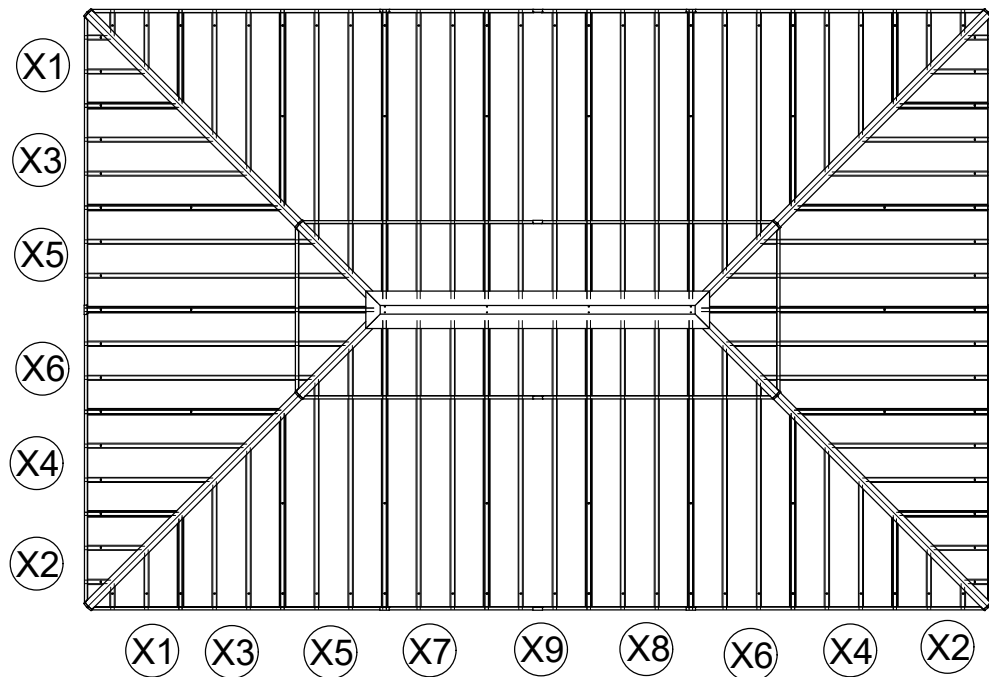
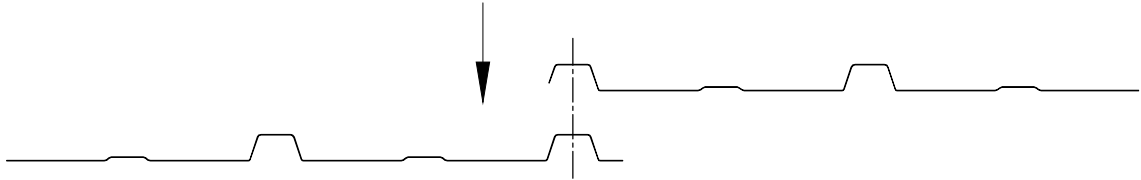
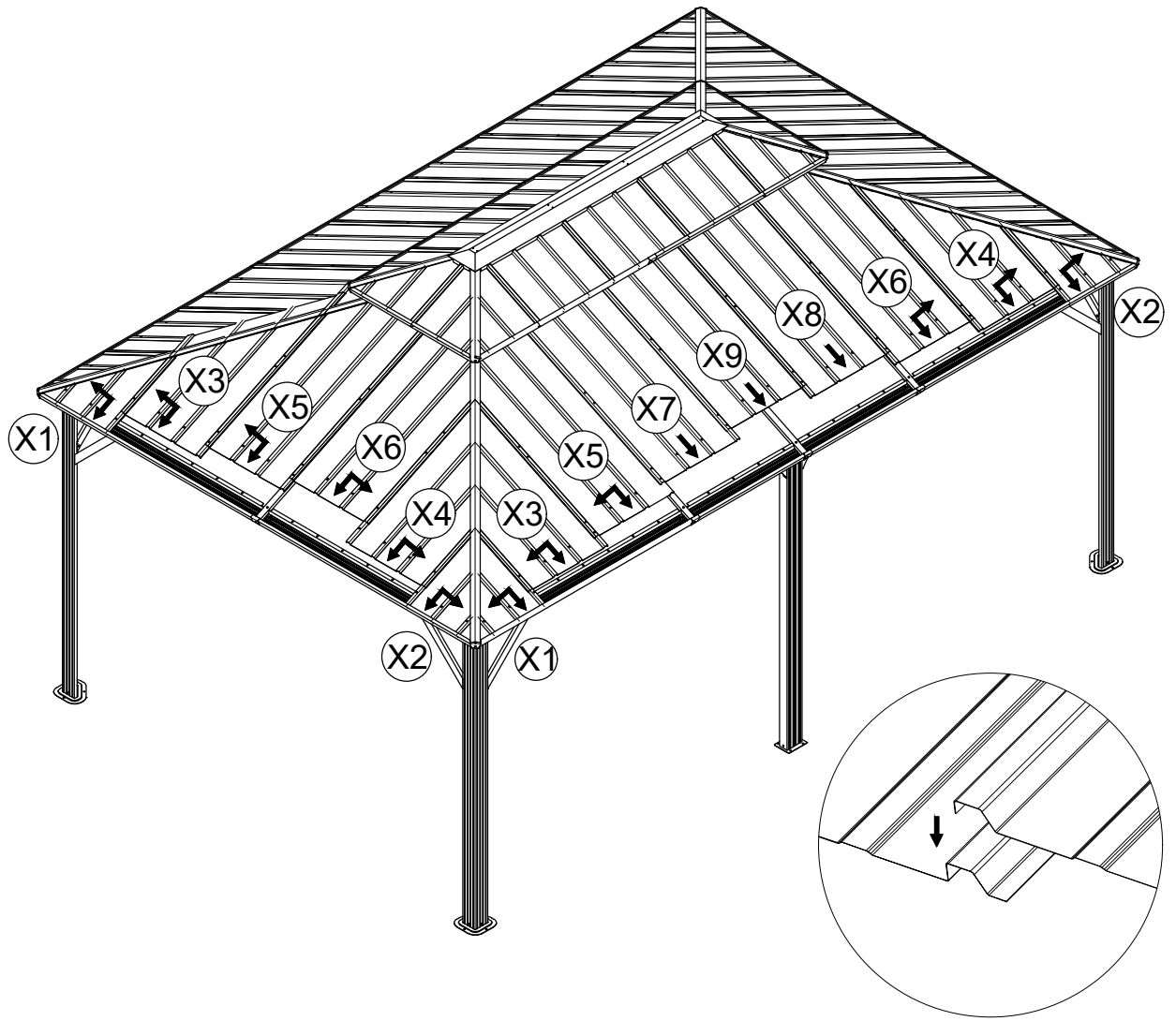


<19>



23

<20>





<21>

Y 92x



M6x25

3 12x



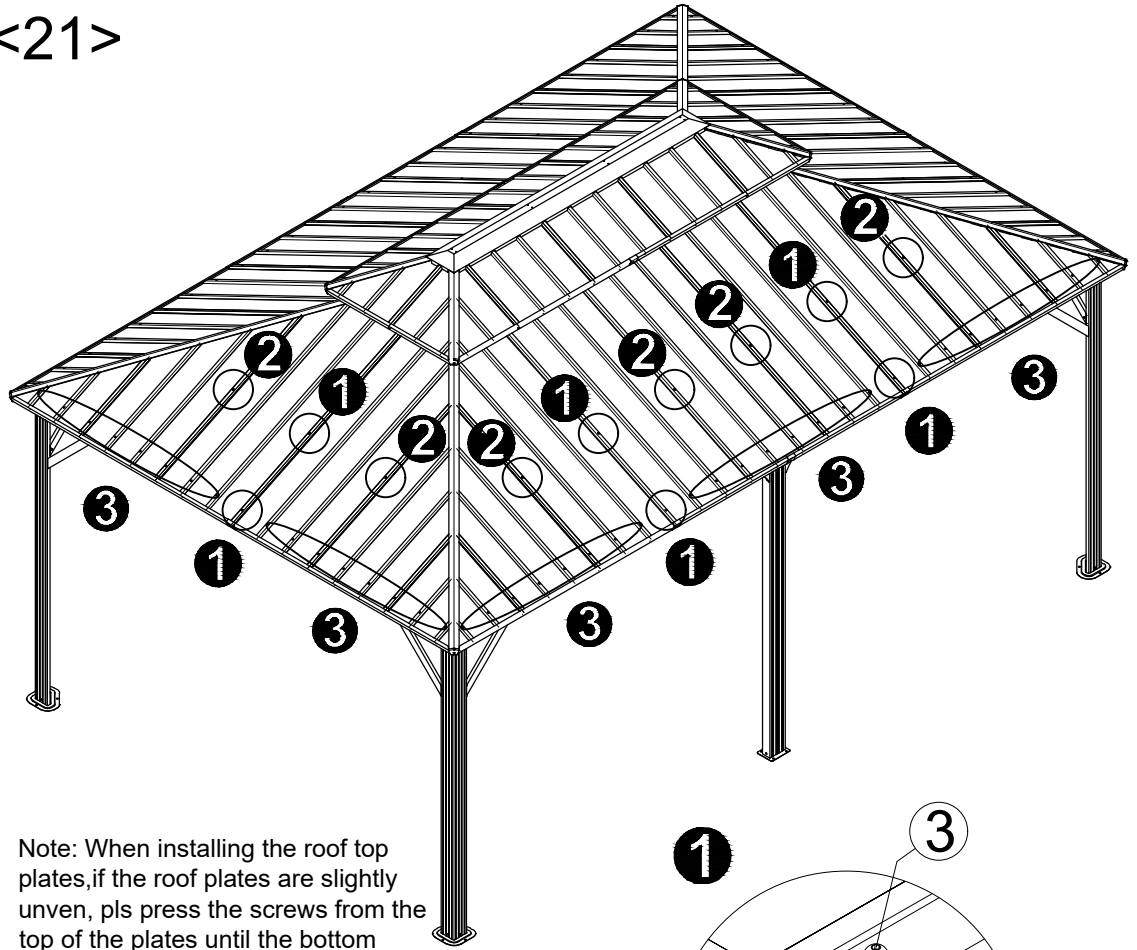
M6x23

2 80x

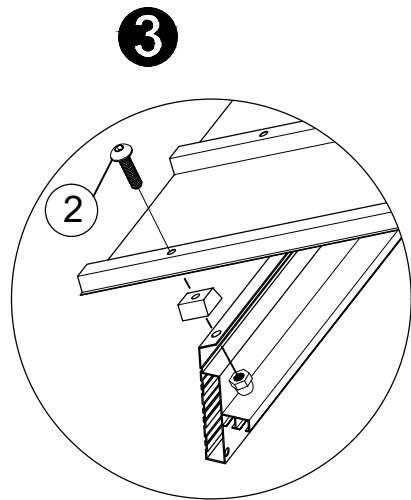
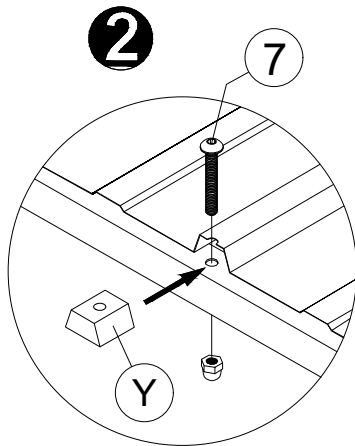
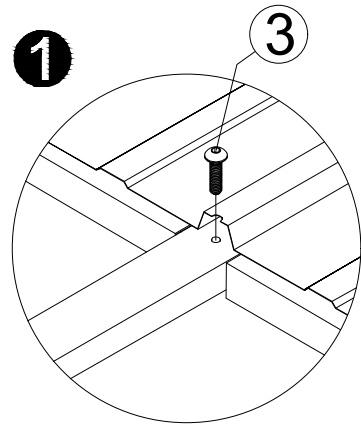


M6x45

7 12x

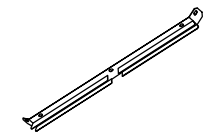


Note: When installing the roof top plates, if the roof plates are slightly uneven, pls press the screws from the top of the plates until the bottom screw thread is exposed by 3 to 4mm, and then screw on the nut.

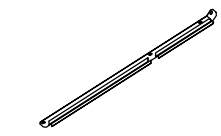


<22>

1



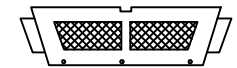
I1 2x



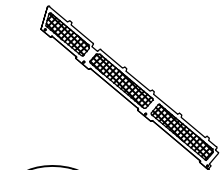
I7 2x



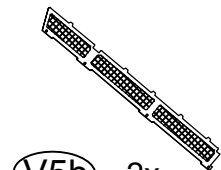
I8 2x



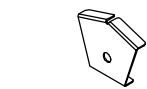
V1 2x



V5a 2x



V5b 2x

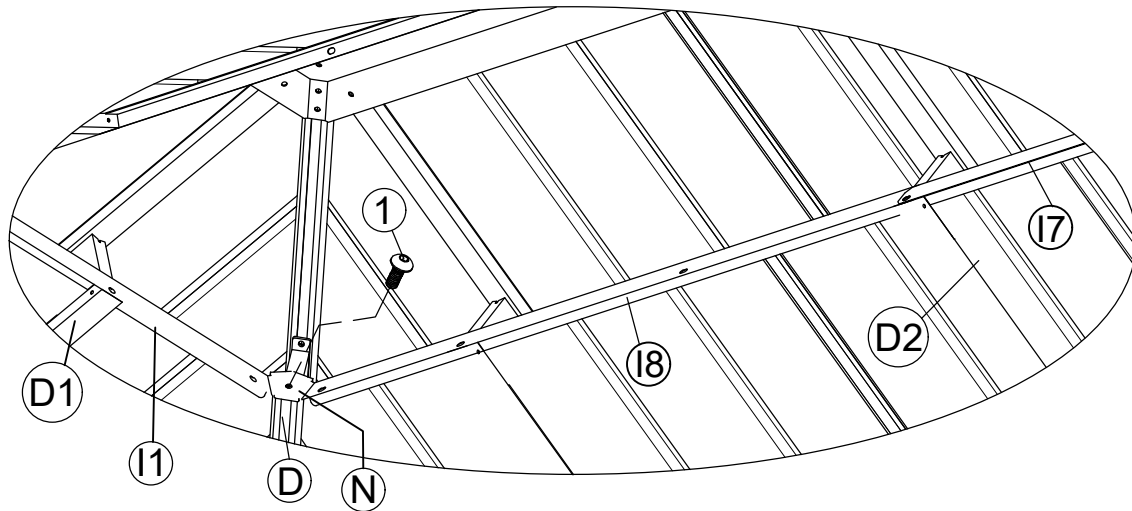


N 4x

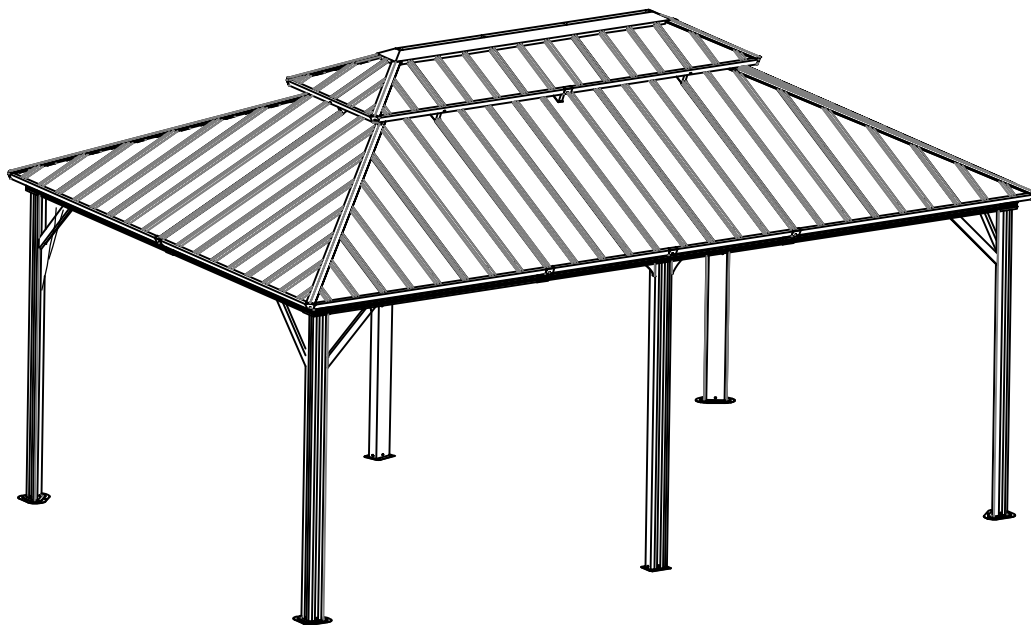
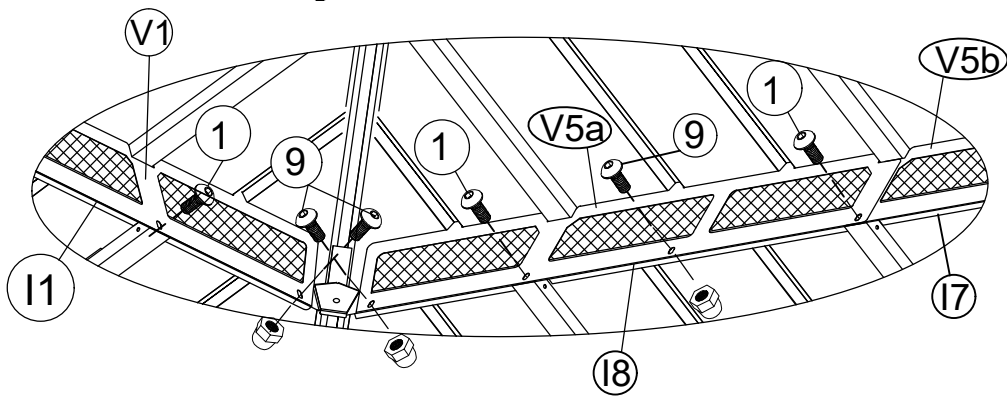


M6x15

1 12x



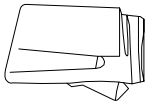
2



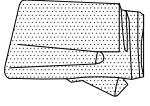
26



9 12x M6x10

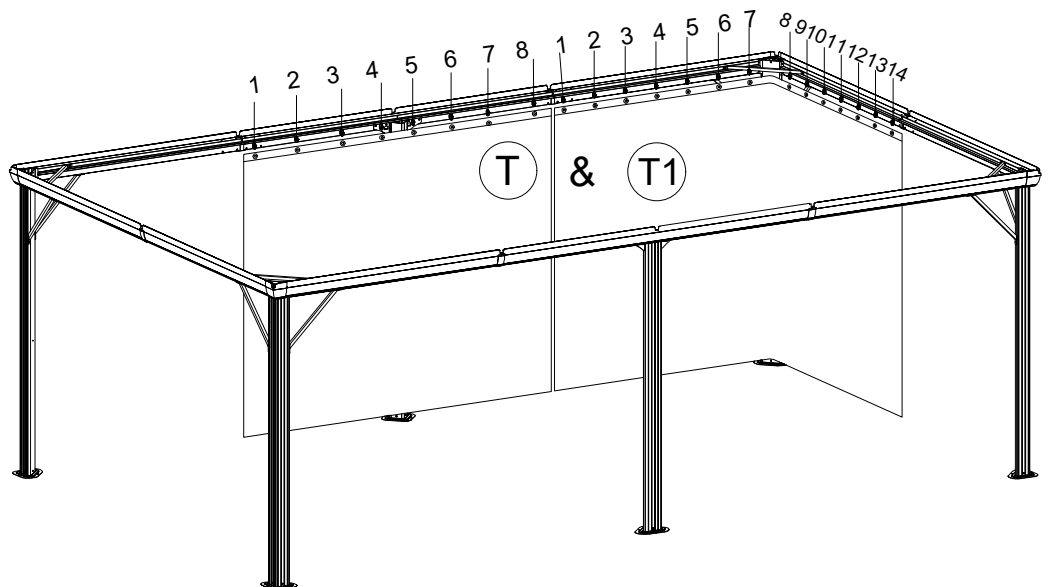
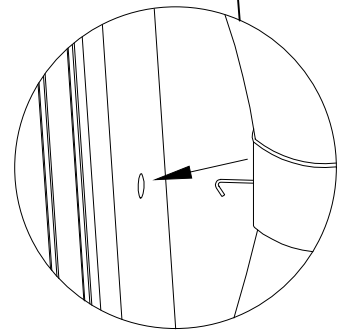
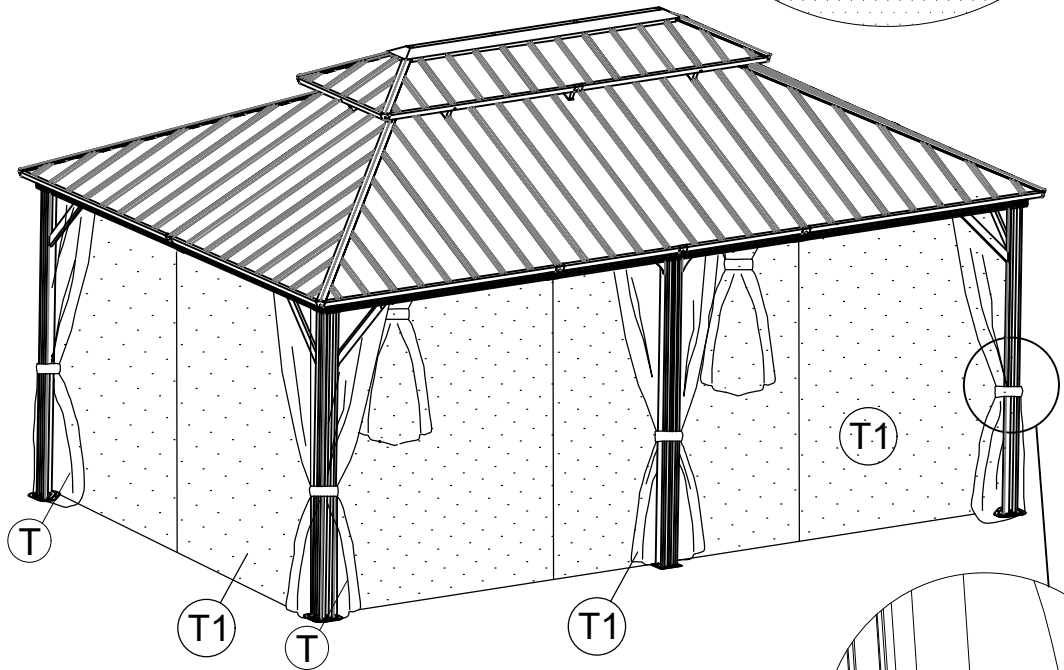
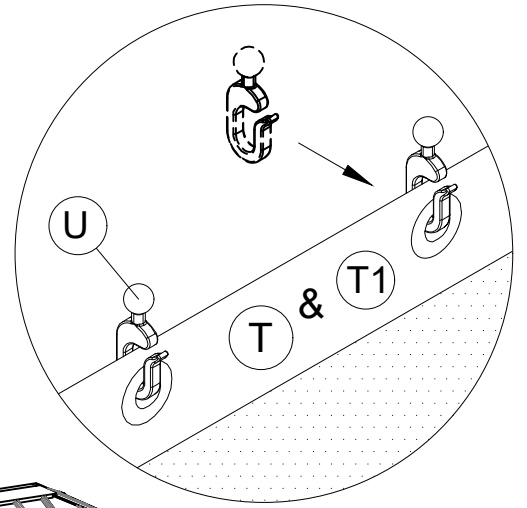
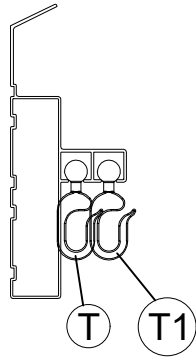


T 4x + 2x



T1 4x + 2x

<23>



Carton-1/6		Carton-3/6		Carton-4/6	
Part	Qty	Part	Qty	Part	Qty
A	4	B1	4	U	144
A2	2	B2	4	Q3	8
		V1	2	Q4	8
		V5a	2	T	4+2
		V5b	2	T1	4+2
				1.2.3.4.5.7.8.9.10. 11.12.13.14.15	1
Carton-2/6					
Part	Qty	Carton-4/6			
D	4	Part	Qty	Carton-5/6	
D1	2	L5A	1	Part	Qty
D2	6	M5	1	X5	4
E5	4	B8	2	X6	4
C1	4	F1	4	X7	2
C2	4	F2	4	X8	2
C11	4	F5	4	X9	2
G1	2	F8	3		
G7	2	H	4		
G8	2	H1	4		
I1	2	Q1	8	Carton-6/6	
I7	2	N	12	Part	Qty
I8	2	N1	10	X1	4
Z	64	K1	6	X2	4
Z1	8	K	4	X3	4
Z2	8	J1	2	X4	4
P	6	W1	2	S1	4
J	4	W2	2	S2	4
		V	6	S3	6
		Y	92		