











# Operating Instructions

Caution : You must read this before you proceed

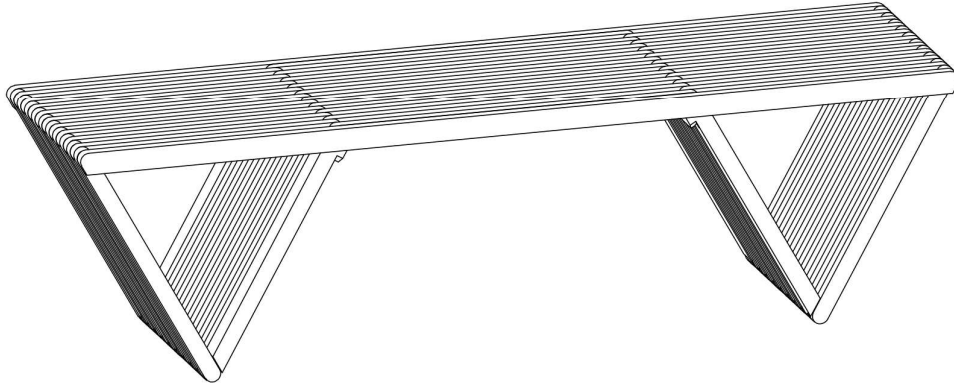
## Care & Maintenance

-  ● Do not put hot items directly on furniture surface
-  ● Do not clean furniture with harsh cleansers or polish.
-  ● To obtain the longest lifespan of your outdoor products, minimizing exposure to direct sunlight is recommended.
-  ● Children should not climb or jump on the furniture.
-  ● Do not write on furniture without a padded barrier to protect the surface.
-  ● To obtain the longest lifespan of your outdoor products, avoid extended and lengthy exposure to rain, snow, and direct sunshine. Whenever possible cover the product and/or place under patio or awnings.
-  ● Not for commercial use. For residential use only.
-  ● Stains may be removed with mild soap solution and damp cloth.
-  ● Keep away from sources of ignition.
-  ● Dust and pick-up spills using a clean, non-colored, lint-free cloth.

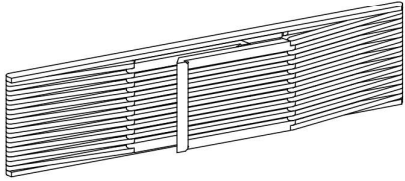
# Assembly Instructions

CAUTION: You must read this Assembly Instructions before you proceed



## **BENCH**



## Part List

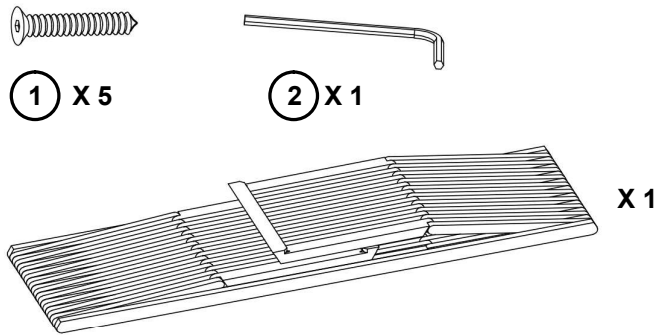
Label	Picture	Description	QTY
		Bench	1

## Hardware

Label	Picture	Description	
1		Screw (M6x45mm)	5
2		Allen Wrench	1

# Assembly Preparation

Before  
Beginning  
Assembly:



- Read instructions, cover to cover-



- Have 2 adults on hand for assembly-



- Do not assemble on flooring or carpet-



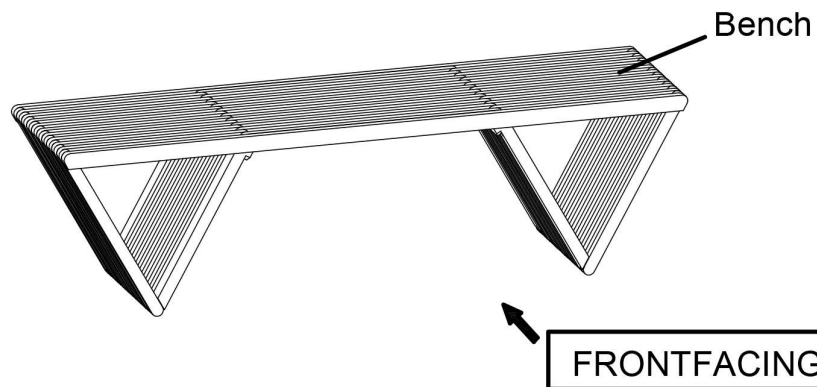
- Assemble on a clean non-marring surface (packing foam)-



- Save all packaging until finished-

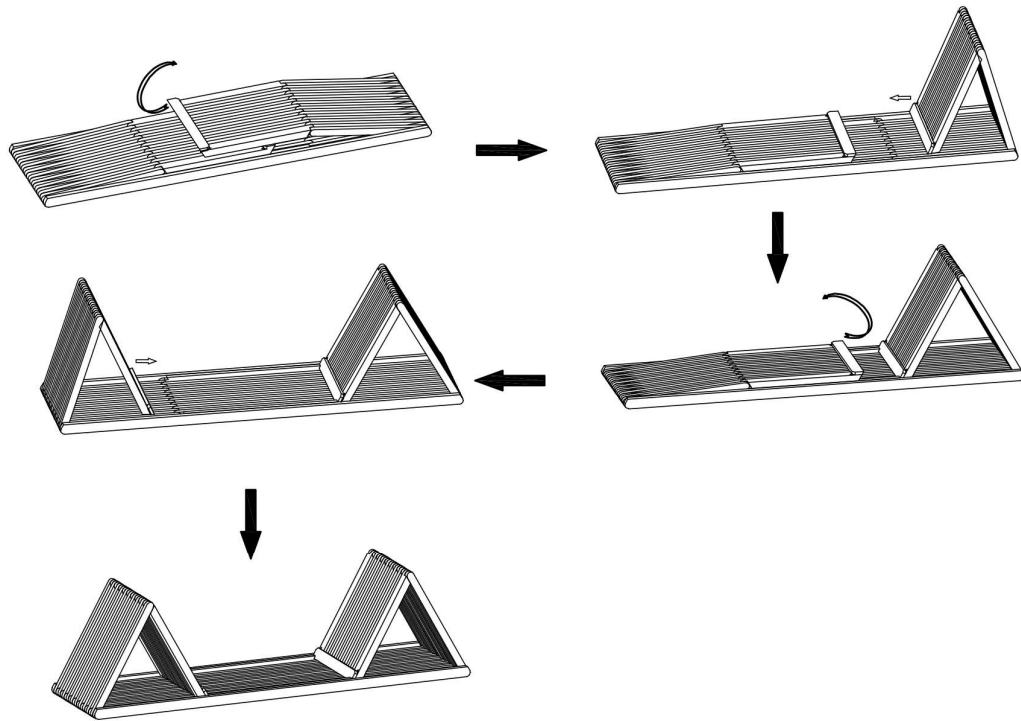
# Assembly Steps

## Overview



This Bench can take up to 5 minutes to assemble. To give you an overview of the table parts, the image above will give you a better idea of each part. Please read the instructions below carefully to familiarize yourself with the parts and steps before assembling.

### Step 1



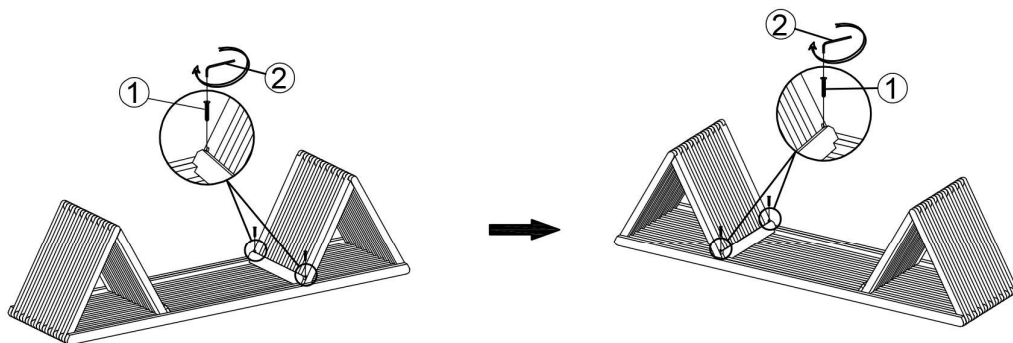
Place Bench the as shown.

How to open: Open the leg frame in the direction of the arrow.

Then open the other leg frame in the same way as above

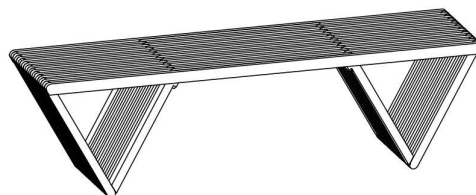
This process is best done with the assistance of an adult.

### Step 2



Attach the two legs of the chair with Screw (①) and Allen wrench (②).

### Step 3



Your Bench is ready for use.