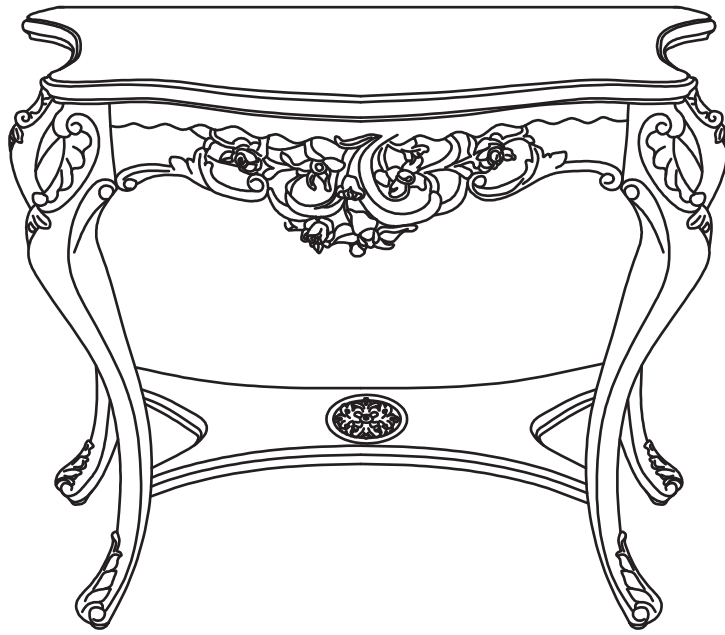


Assembly Instructions



Console Tables

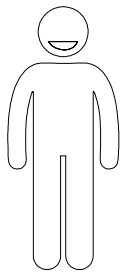
Contact Us

We're here to help you.

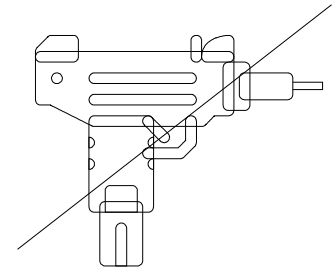
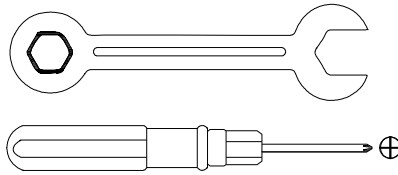
Your satisfaction is our top priority. If you encounter any issues with this product, such as missing or damaged parts, we're here to help. Please retain the original packaging and take photos of the packaging and the product, then contact us as soon as possible.

Warm Tips

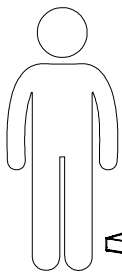
1. Carefully read these instructions and keep them for future reference.
2. Check the parts list and confirm everything's there before starting assembly.
3. When assembling, put all parts on a soft, smooth surface like a carpet to avoid scratches.
4. Don't fully tighten screws until all parts are confirmed in place to avoid misalignment.



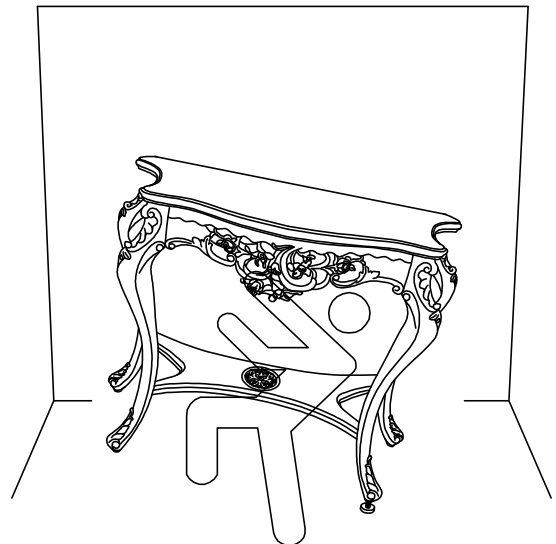
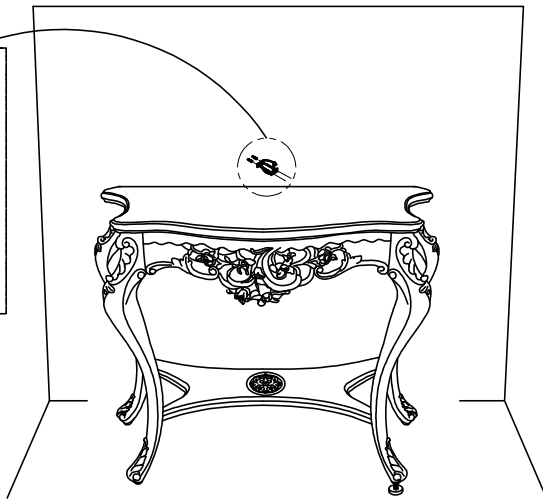
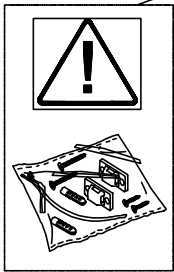
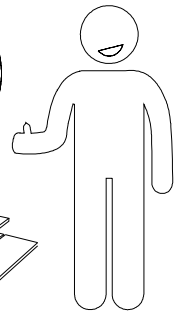
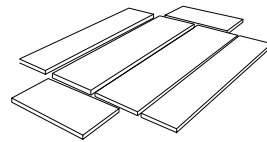
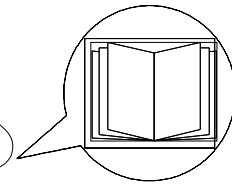
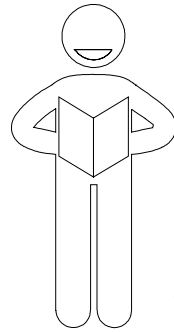
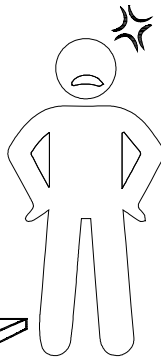
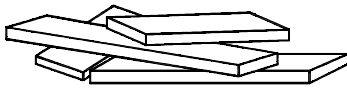
X2



When using the electric screwdriver ,
Reduce the power and torque to avoid damaging the furniture

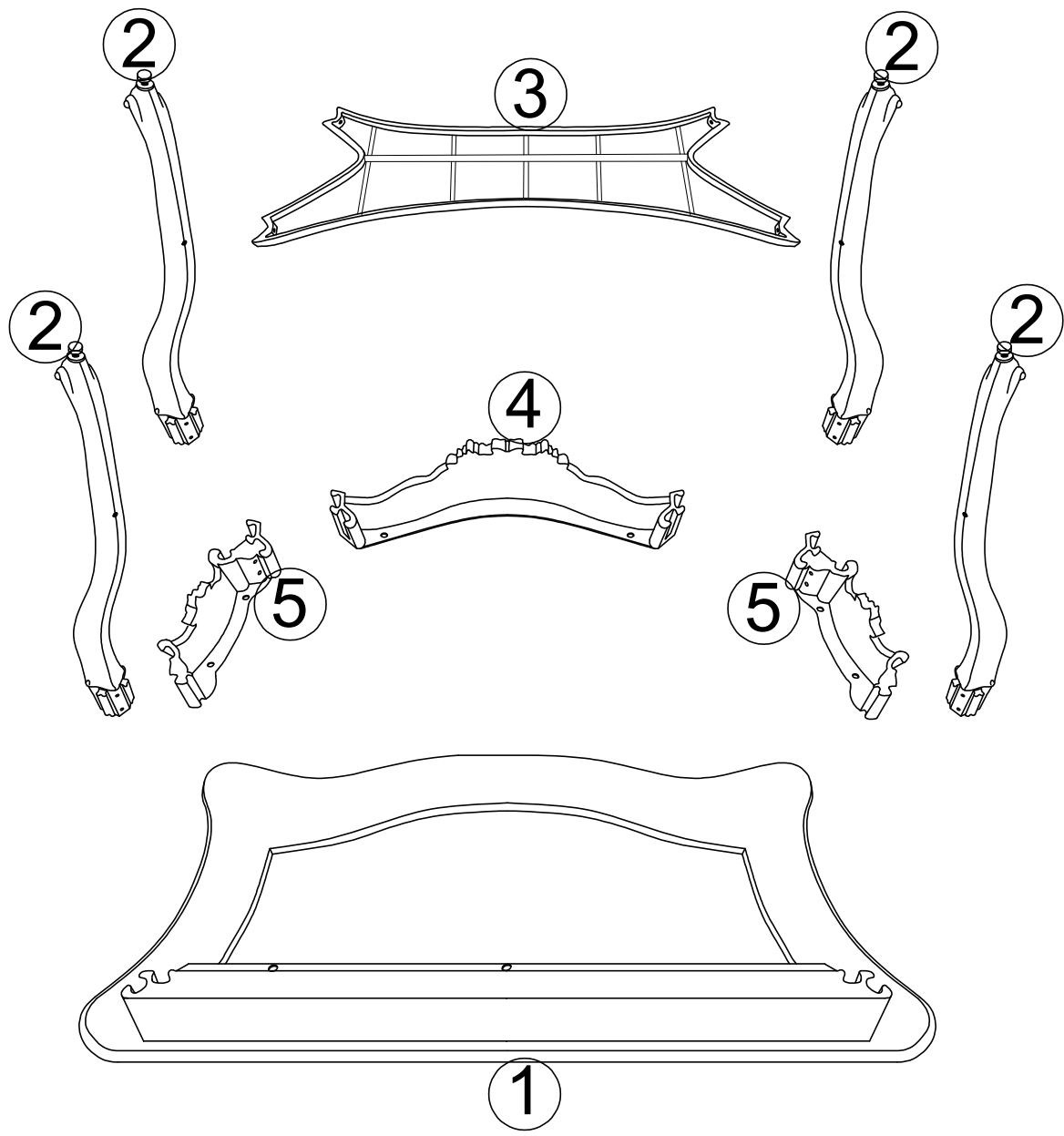


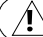
?



(Install tip-over restraint provided)

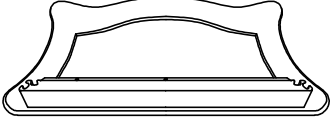

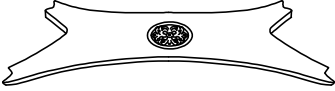
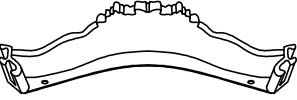

Use of tip-over restraints may only reduce but not eliminate,
the risk of tip-over.



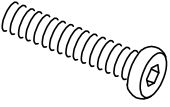
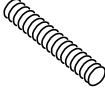
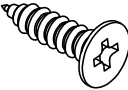
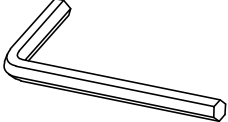

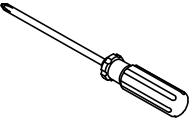
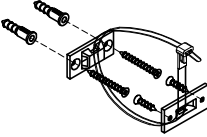
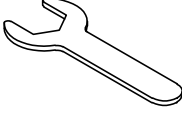
 Caution

Make sure all parts are included. Most board parts are labeled or stamped on the raw edge. Contact us for free replacement if having damaged or missing parts.

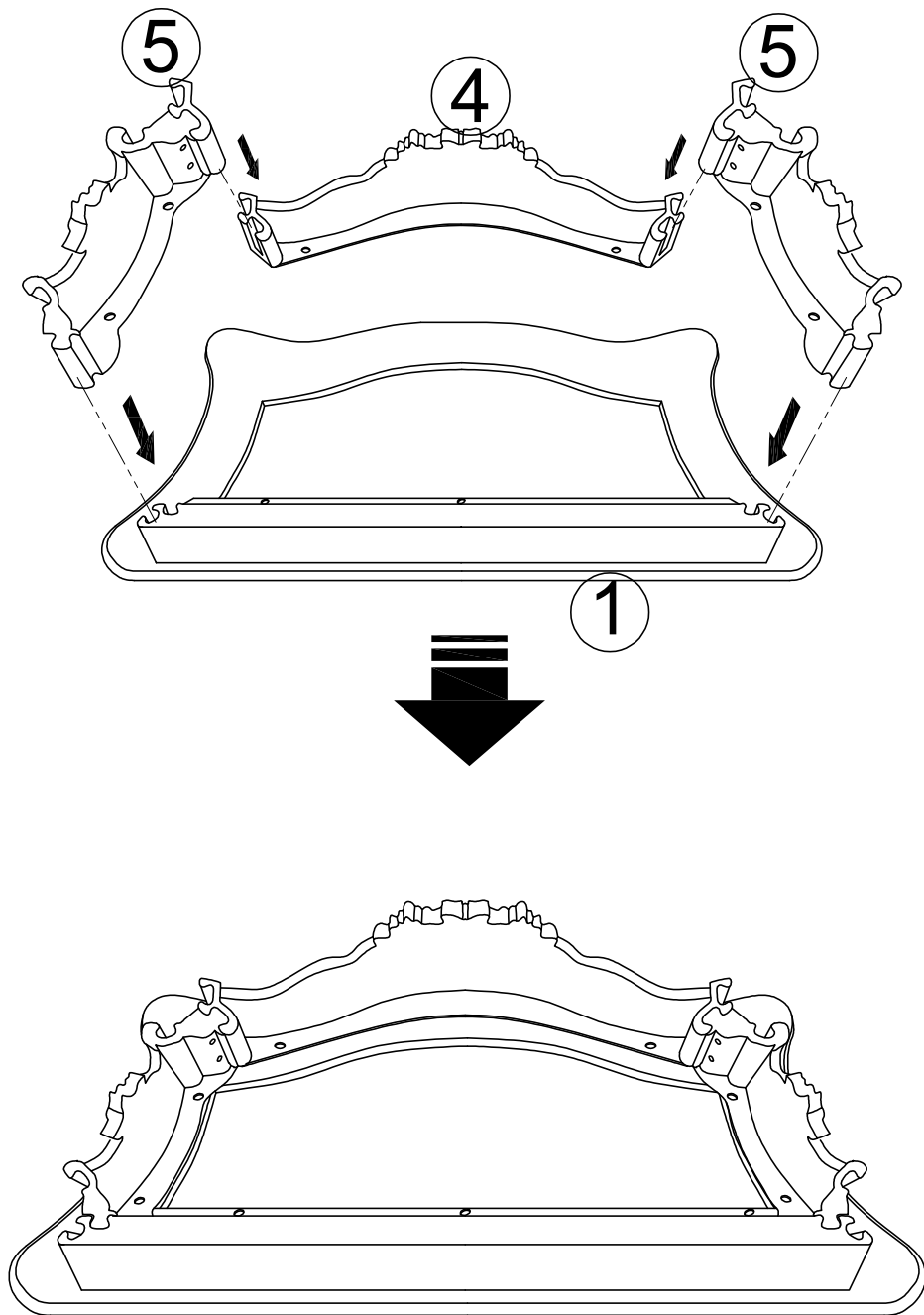
Parts & Hardware List

 <p>① 1pcs</p>	 <p>② 4pc</p>	 <p>③ 1pcs</p>
 <p>④ 1pcs</p>	 <p>⑤ 2pc</p>	

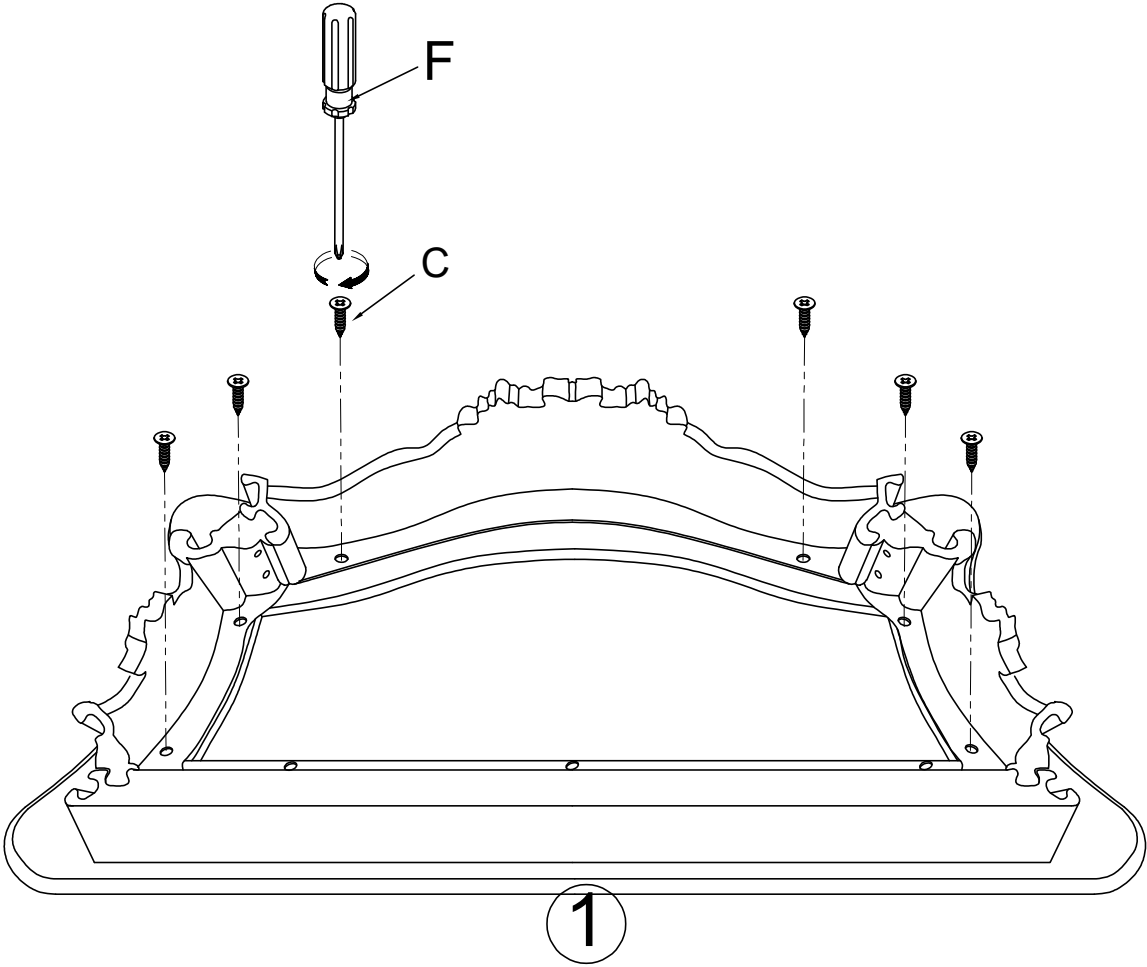
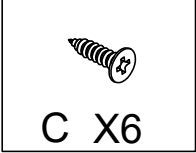
Hardware List

<p>M8*40mm</p>  <p>A 8pcs</p>	<p>M6*30mm</p>  <p>B 4pcs</p>	<p>3.5*15mm</p>  <p>C 9pcs</p>	<p>M8</p>  <p>D 1pc</p>
<p>M6</p>  <p>E 4pcs</p>	 <p>F 1pc</p>	 <p>G 1set</p>	 <p>H 1pc</p>

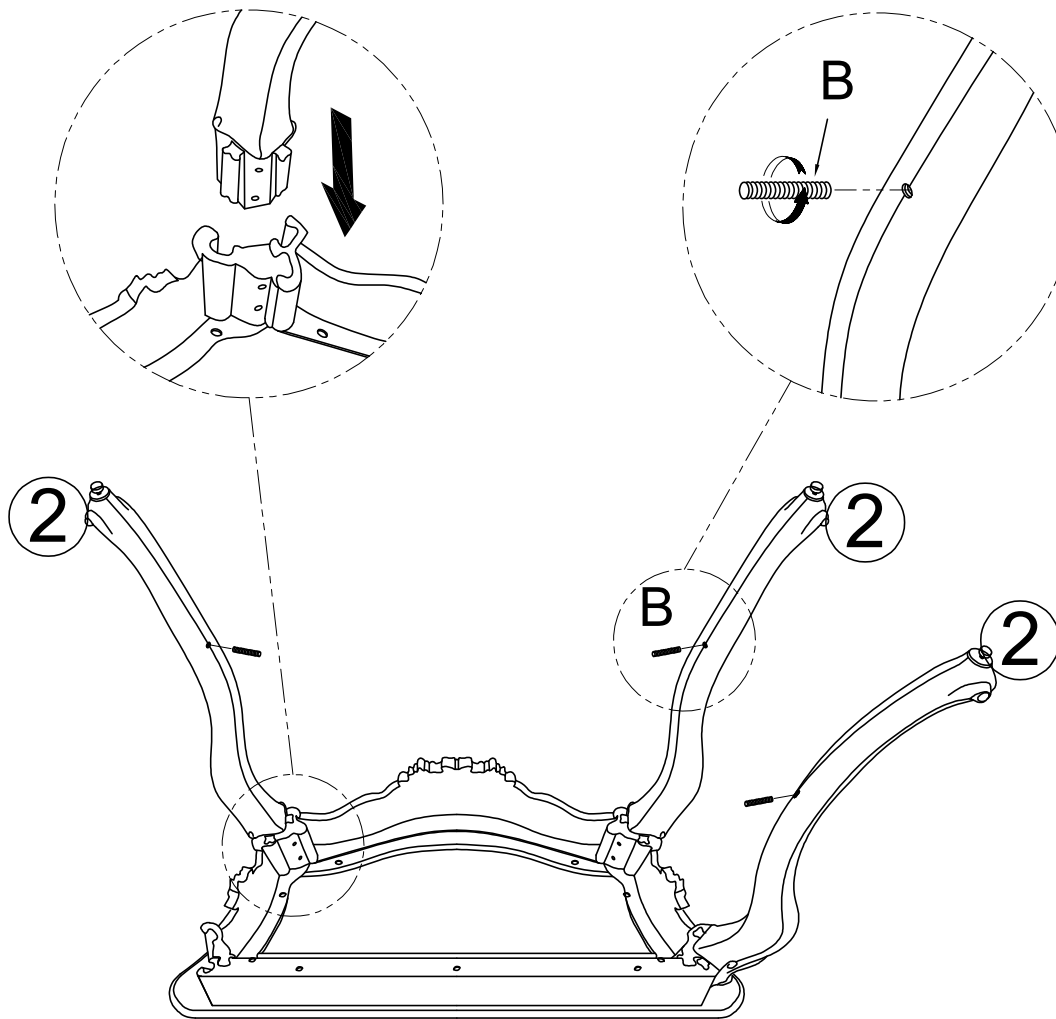
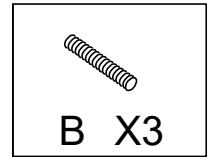
1



2

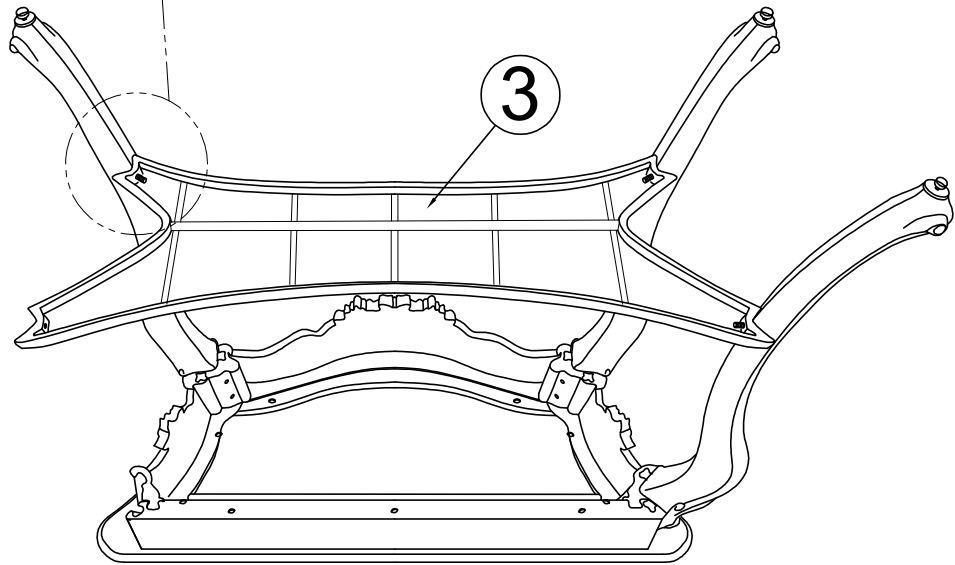
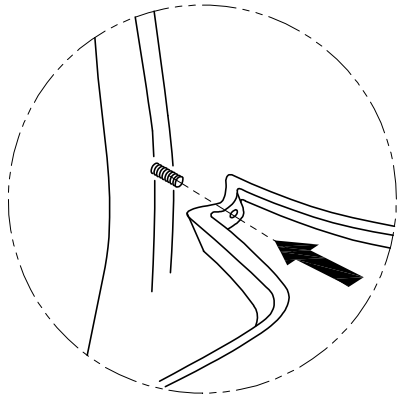


3

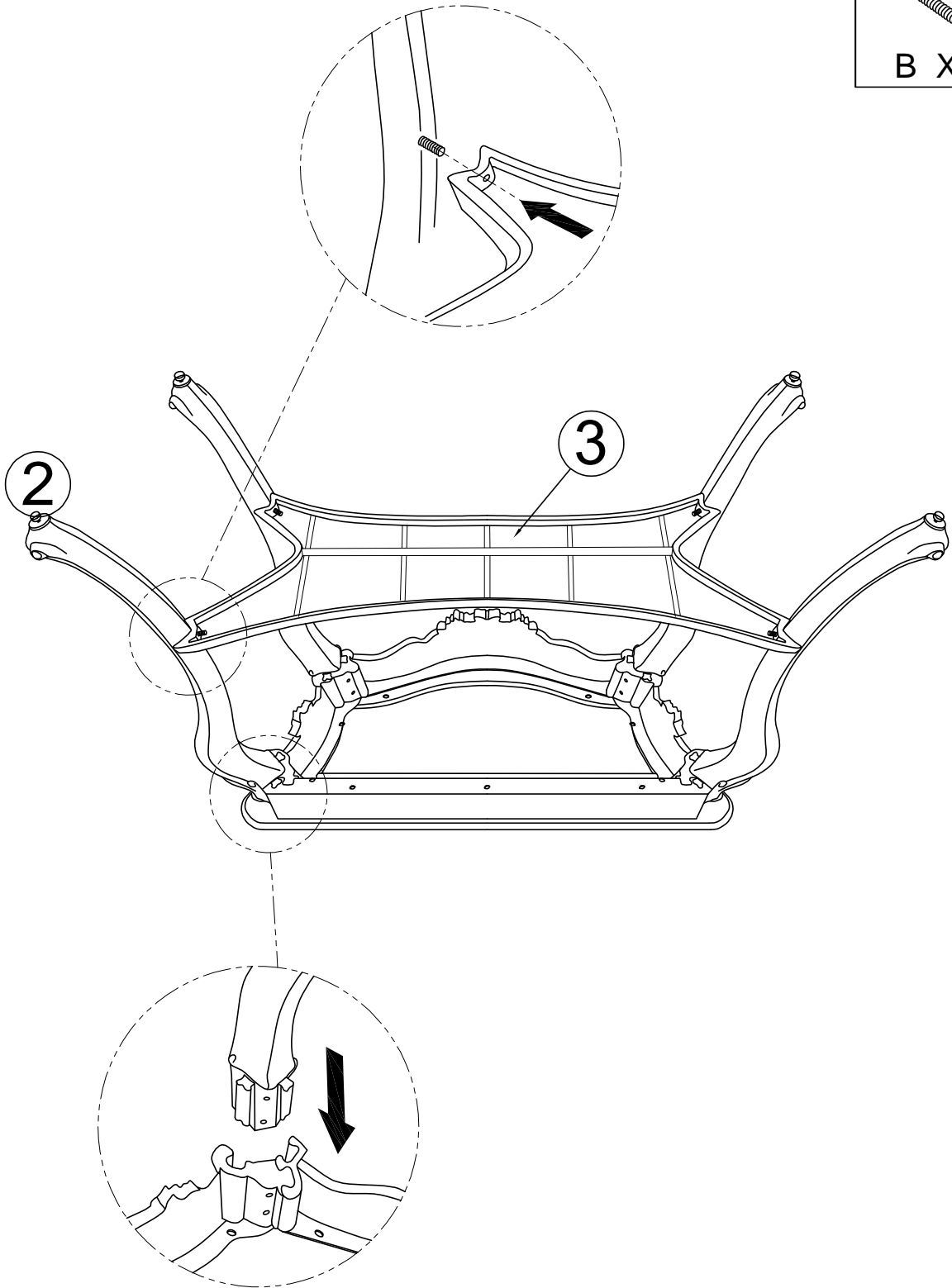
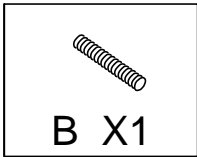


The interface here is tight, you need to tap it with a Heavy objects to get the leg fully fitted in.

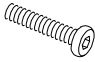

4



5

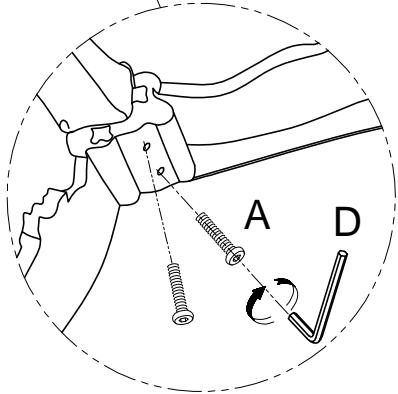
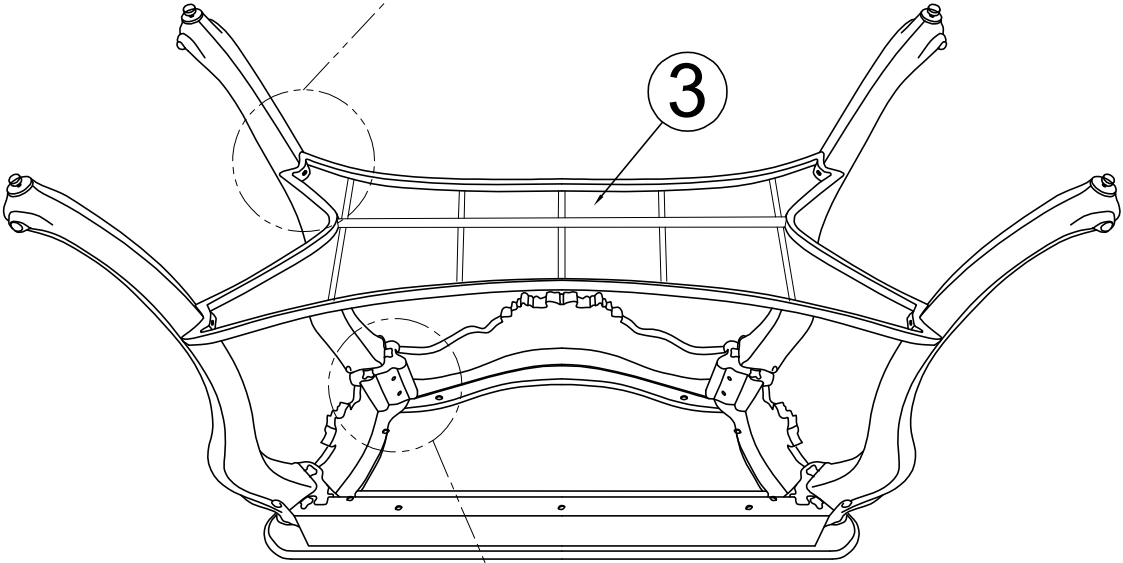
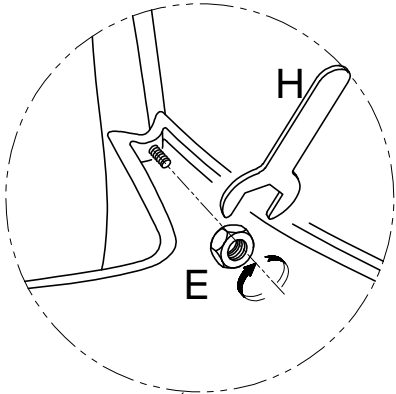


6

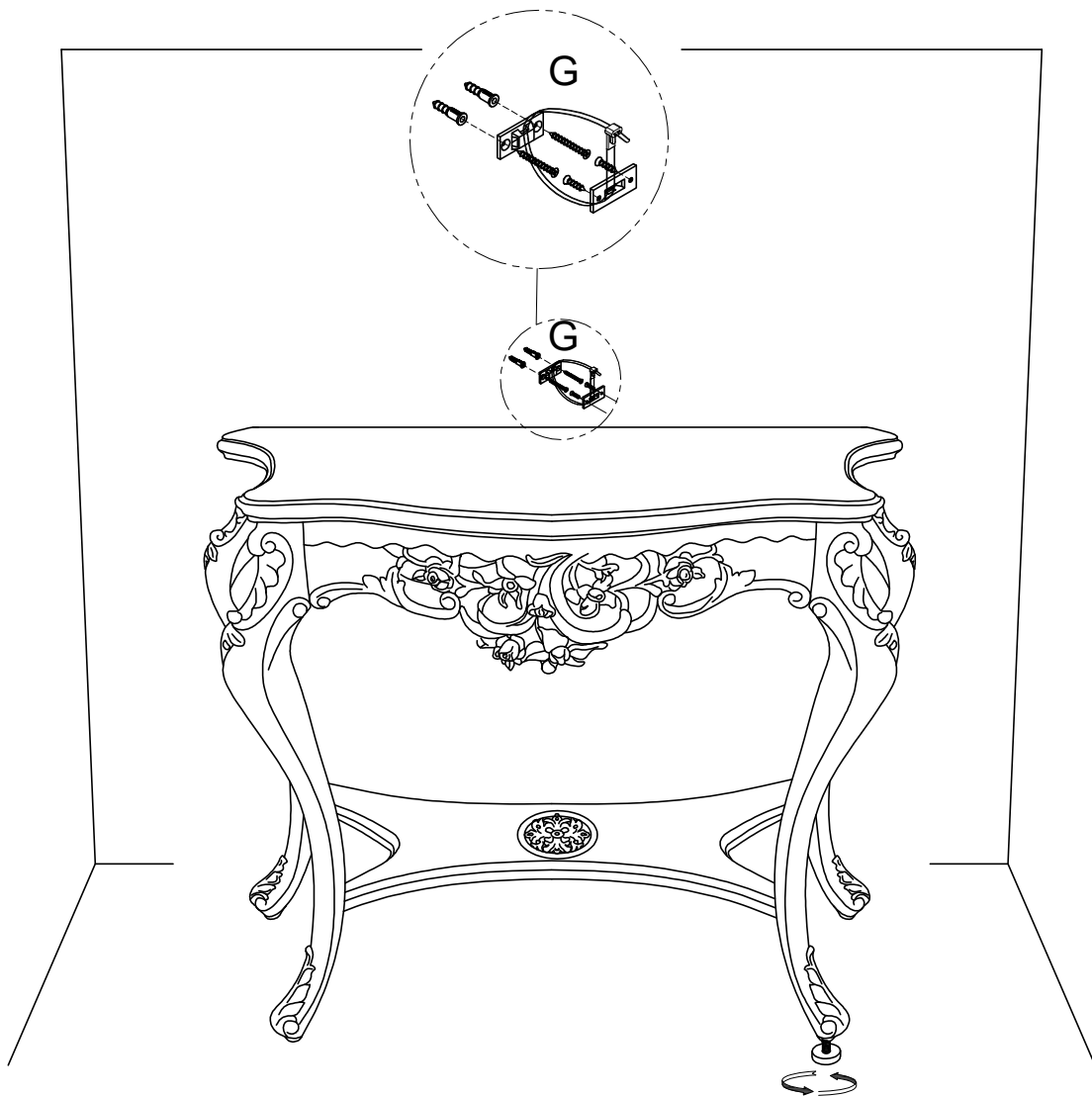
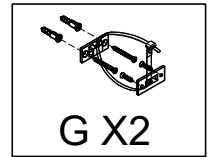
	
A X8	E X4



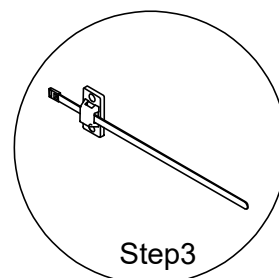
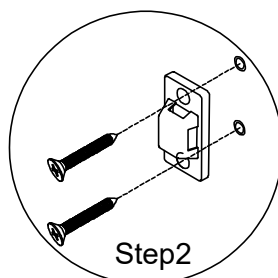
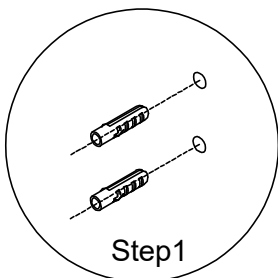
Adjust the chair balance, then tighten the screws to 100% tightness



7



Leveling the chair by nails



Thank you for your support

