

Classic Terrace Dining Chair Assembly Guide



Tools Required



Cordless Drill

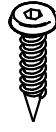


#2 Square Drive Bit
(Included)

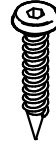


5/32" Allen Drive Bit
(Included)

Hardware Included



2- 1/4" x 1 1/4"
Lags



6- 1/4" x 1 1/2"
Lags



4 - 2"
Panadeck
Screws



2 - 3"
Buglehead
Screws



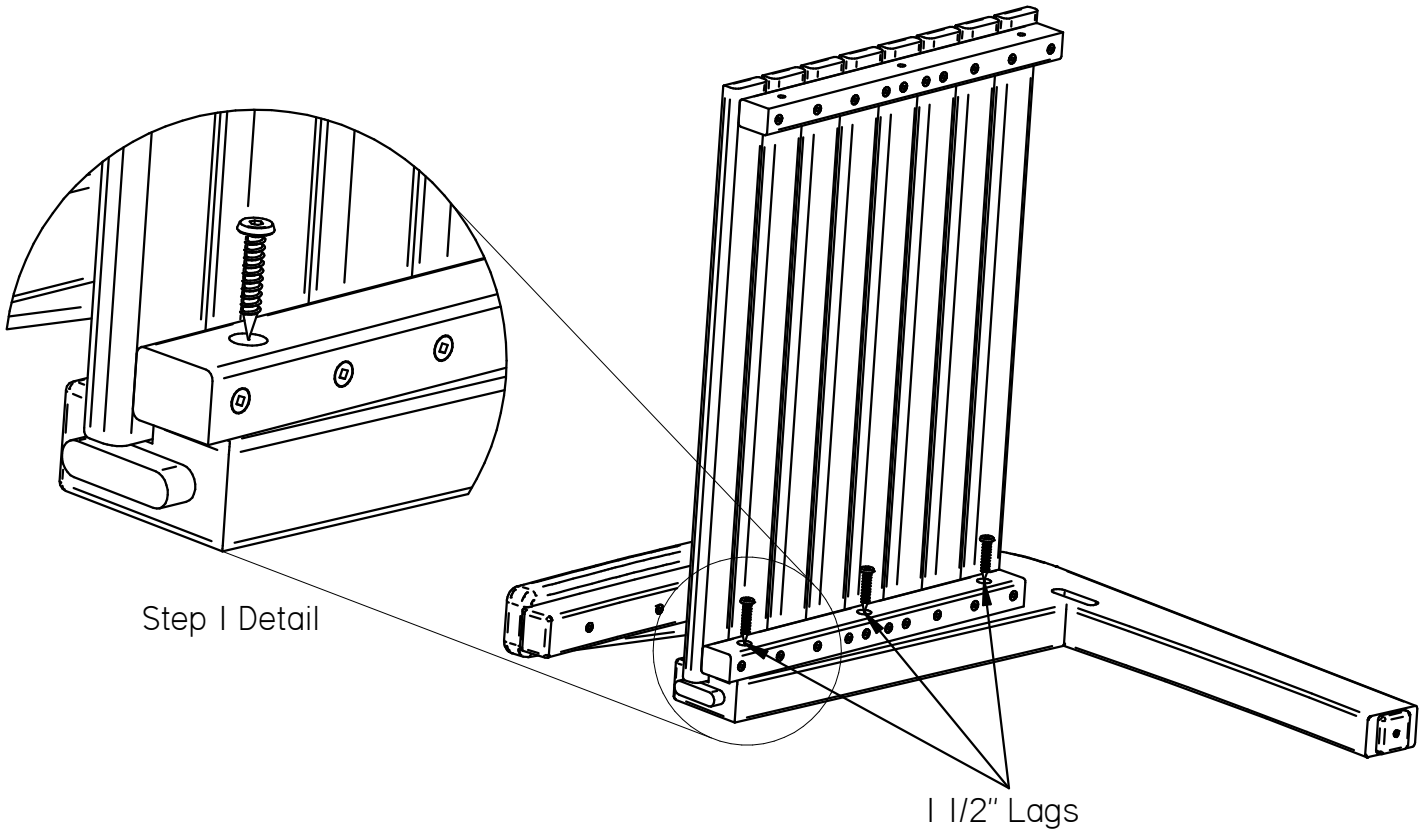
4 - 4"
Buglehead
Screws

Step 1

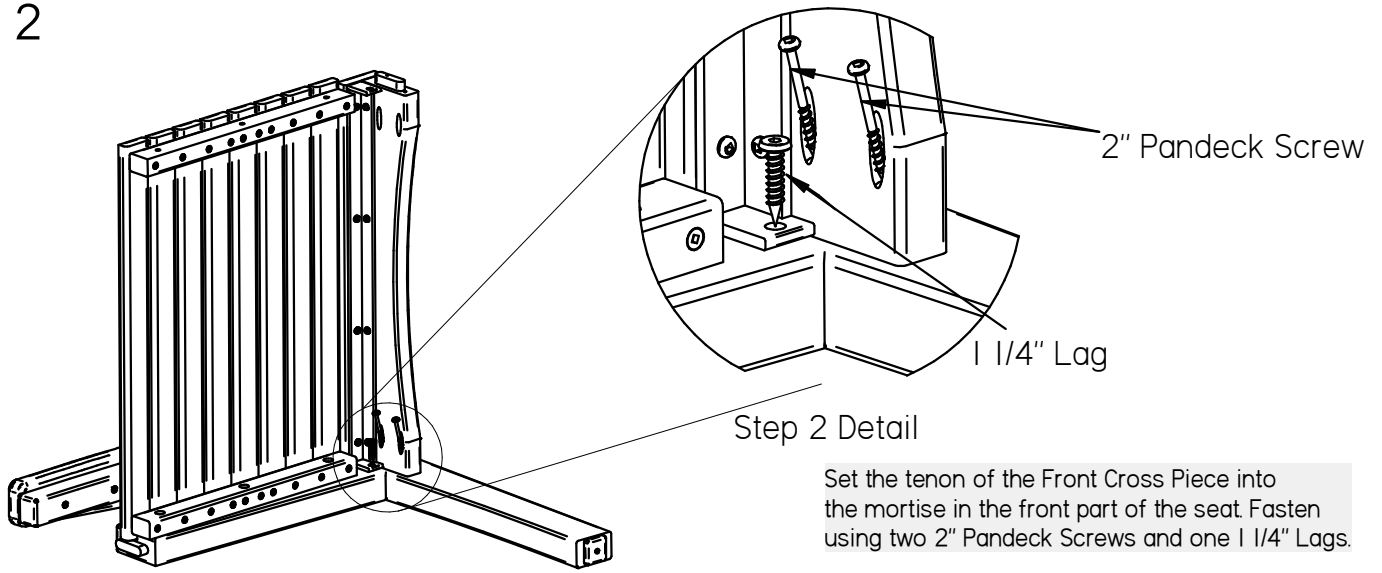
Lay Arm & Front Leg Assembly on side and slide Seat Assembly into slot. Push forward and upward while fastening with three 1 1/2" Lags so that the Seat Slats are flush with top and front of Slot.



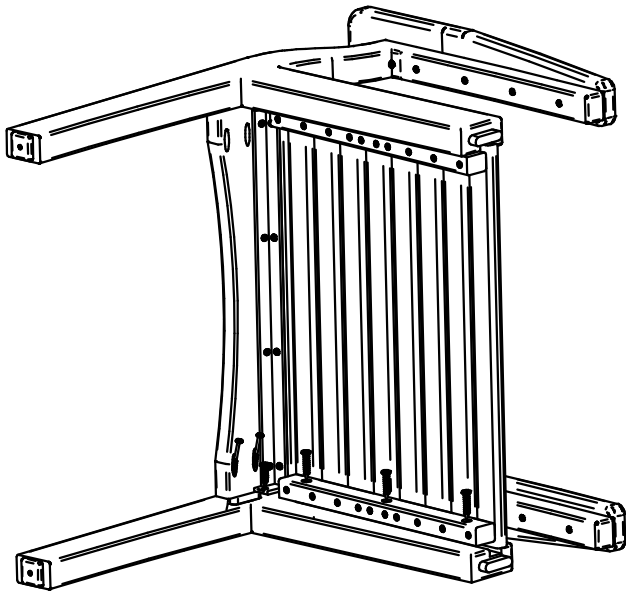
When tightening screws or lags, **DO NOT OVERTIGHTEN** to avoid stripping their hold on the material!



Step 2



Step 3



Lay the second Arm and Front Leg Assembly on its side and fit the Assembly Part into the slot and the mortise. Fasten by repeating Steps 1 & 2. Fasten the Front Cross Support first then fasten the Seat. Be sure the the Seat forward and upward while fastening.

Step 4

