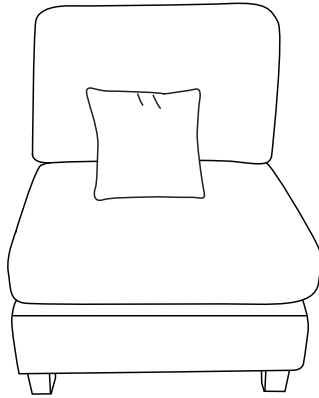
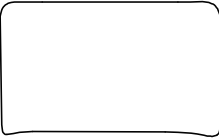
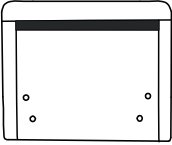

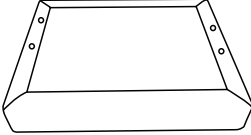
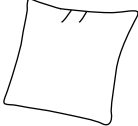
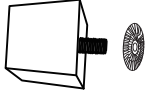


# Assembly Instructions


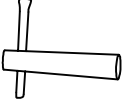
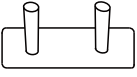
ITEM NO:F10411/10422/10433/10444



## PARTS LIST

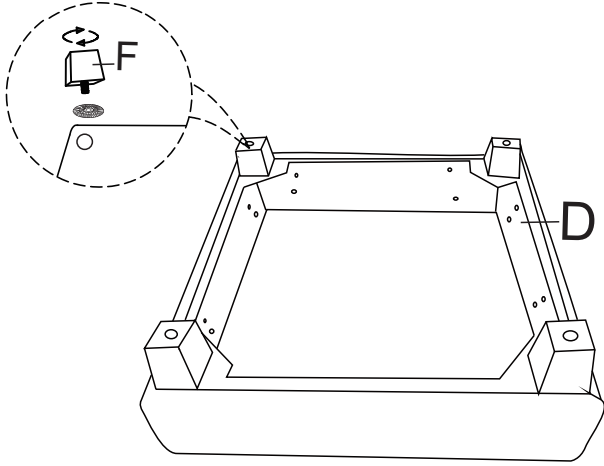
A*1	B*1	C*1
		
D*1	E*1	F*4
		

## HARDWARE LIST

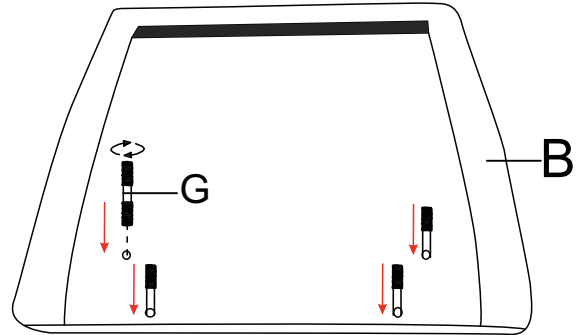
G*4	H*1	J*2
		

# Assembly Steps

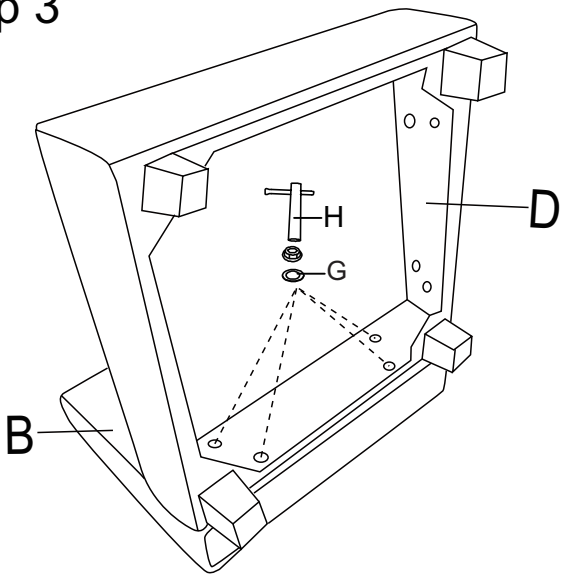
Step 1



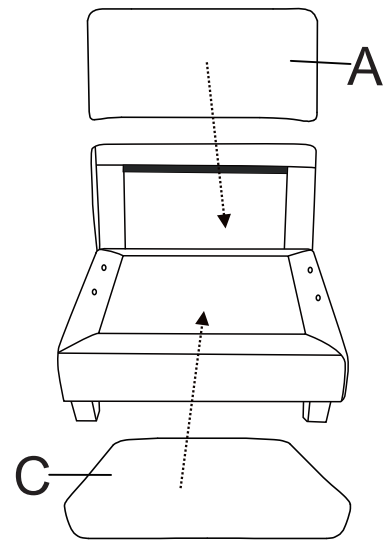
Step 2



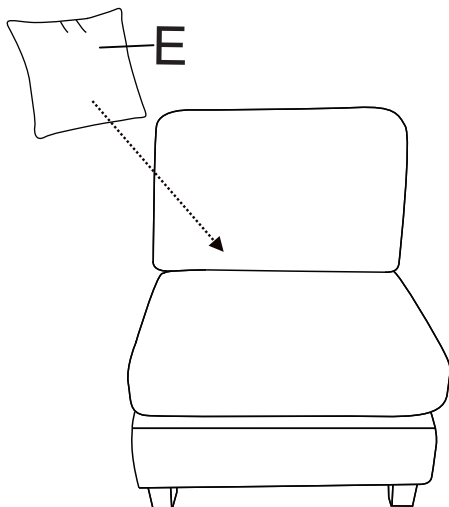
Step 3



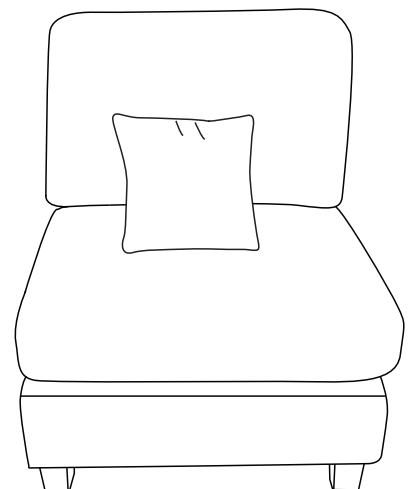
Step 4



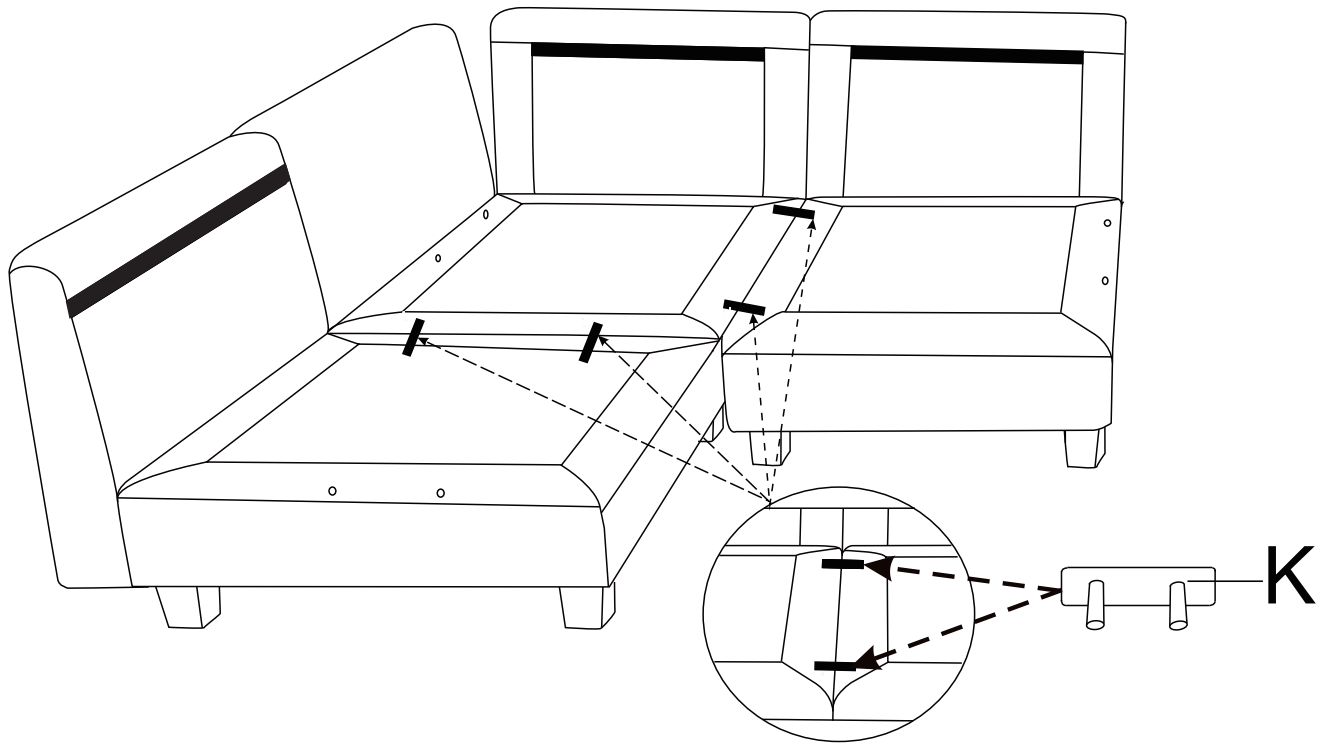
Step 5



Step 6



## Assembly Steps



The connector is only used for fixing between angle and armless and between armless and armless, and the footstool has no fixing system

Toll-Free number: 1-833-273-2277