

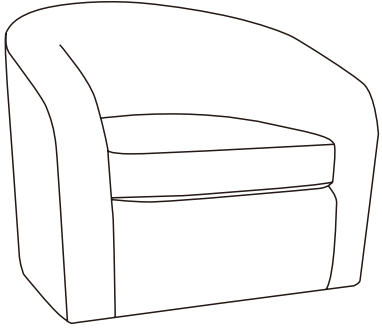
# ASSEMBLY INSTRUCTIONS

HFSN-1006

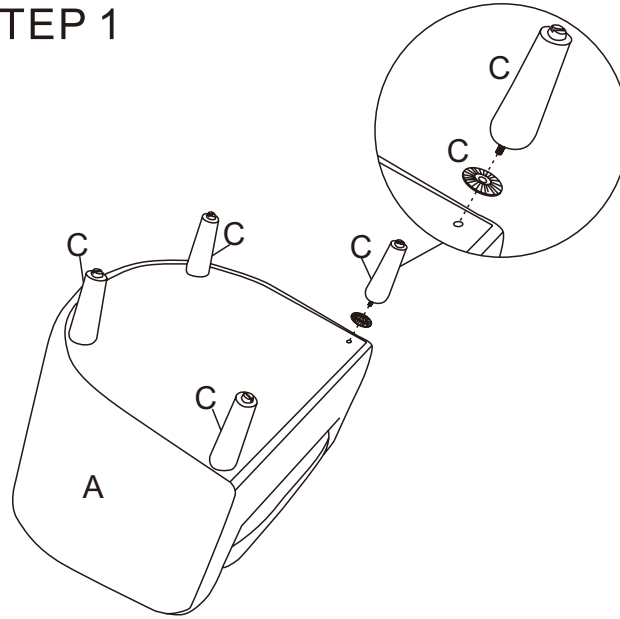
## COMPONENT LIST

## ASSEMBLY STEPS

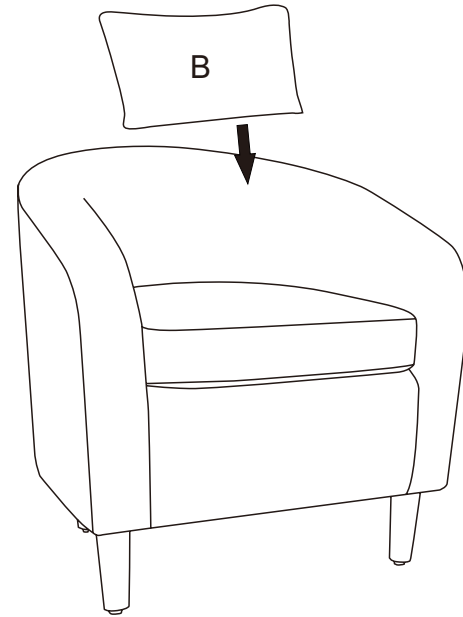
Ax1



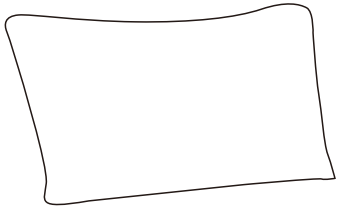
STEP 1



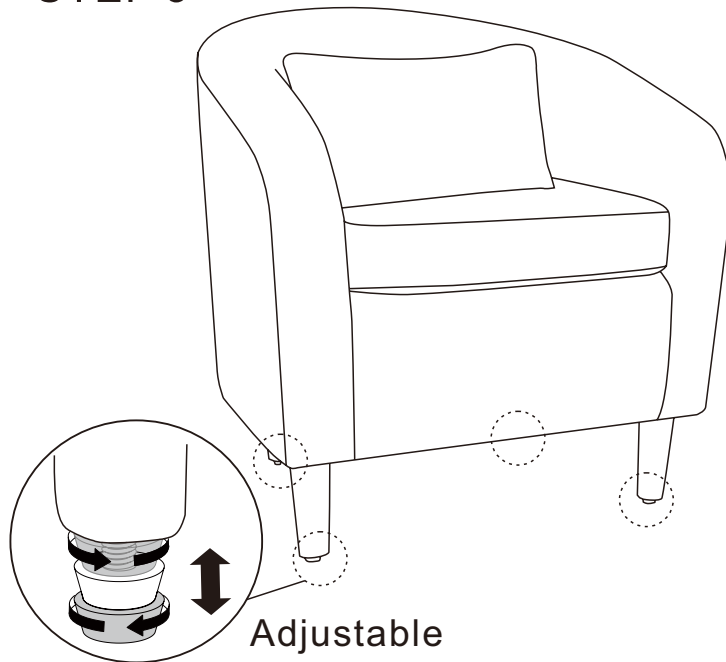
STEP 2



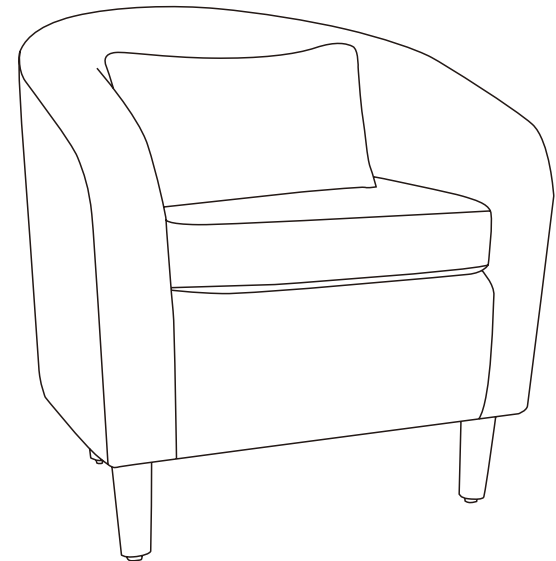
Bx1



STEP 3



STEP 4



Cx4



Adjustable