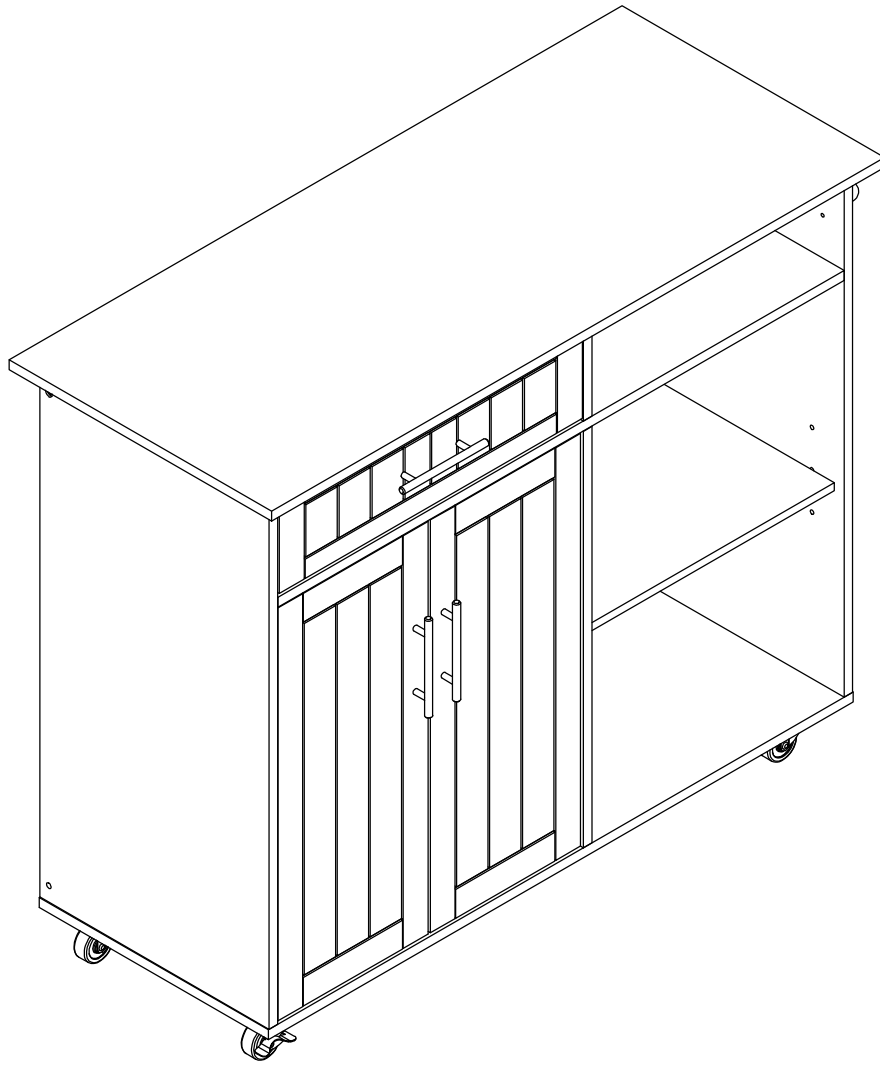
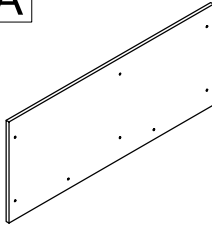
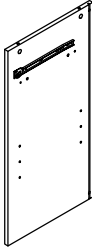

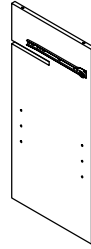
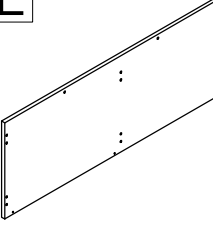
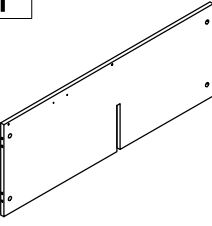

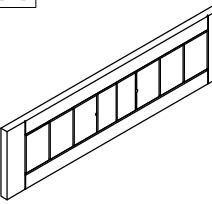
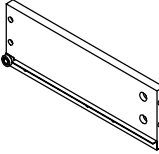
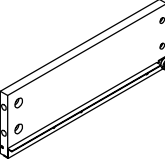
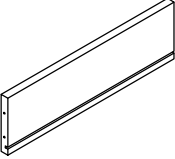
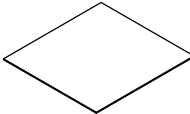

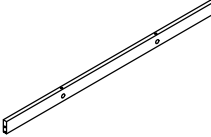
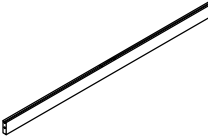
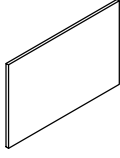
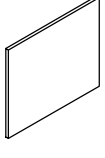
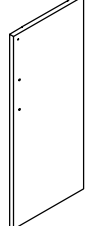
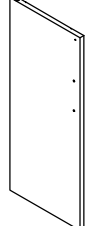


Kitchen Cart



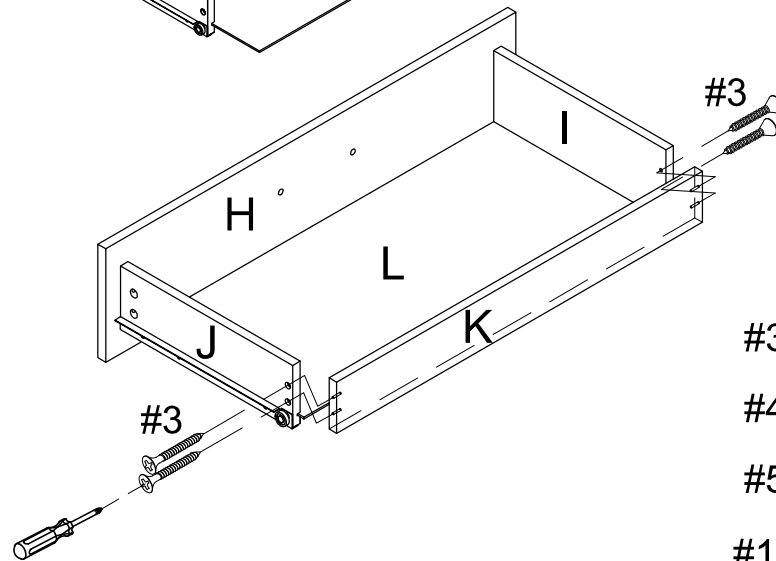
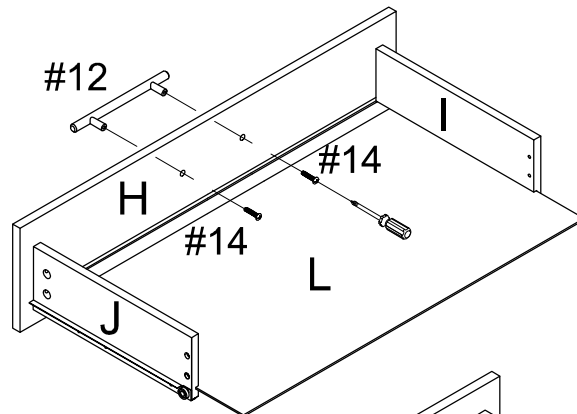
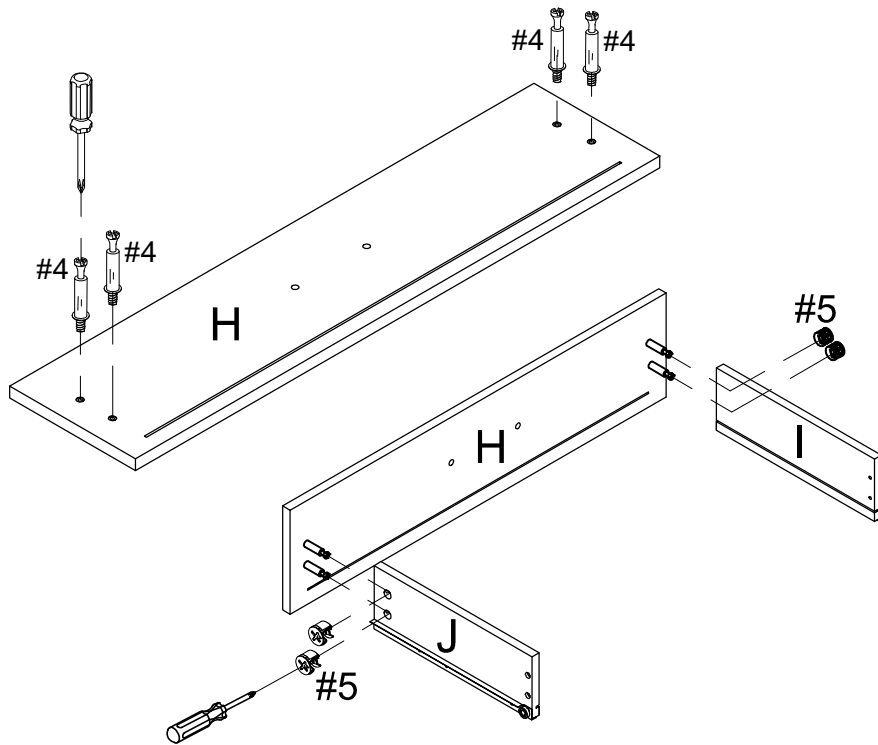
PART LIST




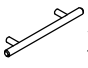

				
<p>Top Panel 1 PC</p>	<p>Left Panel 1 PC</p>	<p>Right Panel 1 PC</p>	<p>Partition Panel 1 PC</p>	<p>Bottom Panel 1 PC</p>
				
<p>Fixed Shelf Panel 1 PC</p>	<p>Back Panel 2 PCS</p>	<p>Drawer Front Panel 1 PC</p>	<p>Drawer Left Panel 1 PC</p>	<p>Drawer Right Panel 1 PC</p>
				
<p>Drawer Back Panel 1 PC</p>	<p>Drawer Bottom Panel 1 PC</p>	<p>Back Post 1 PC</p>	<p>Back Top Rail 1 PC</p>	<p>Back Bottom Rail 1 PC</p>
				
<p>Left Adjustable Shelf 1 PC</p>	<p>Right Adjustable Shelf 1 PC</p>	<p>Left Door 1 PC</p>	<p>Right Door 1 PC</p>	

HARDWARE LIST

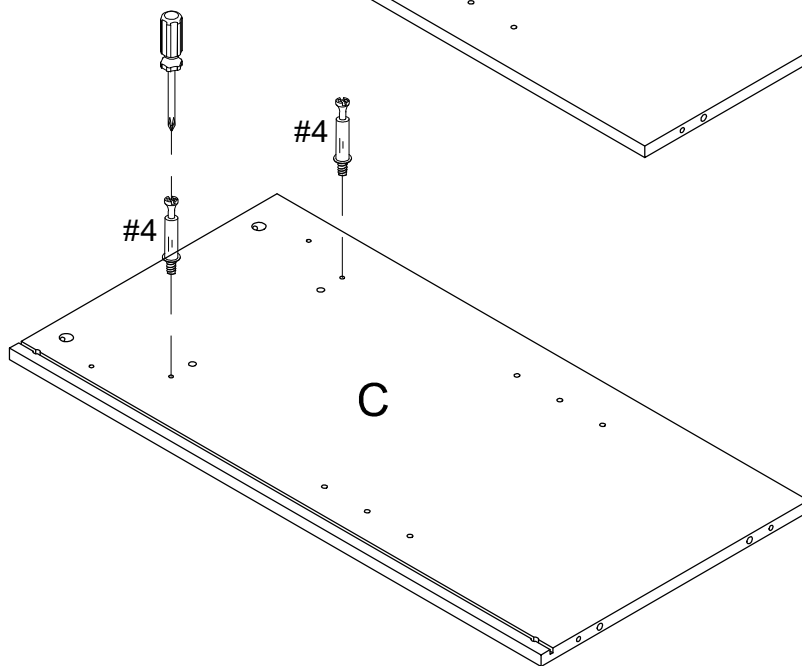
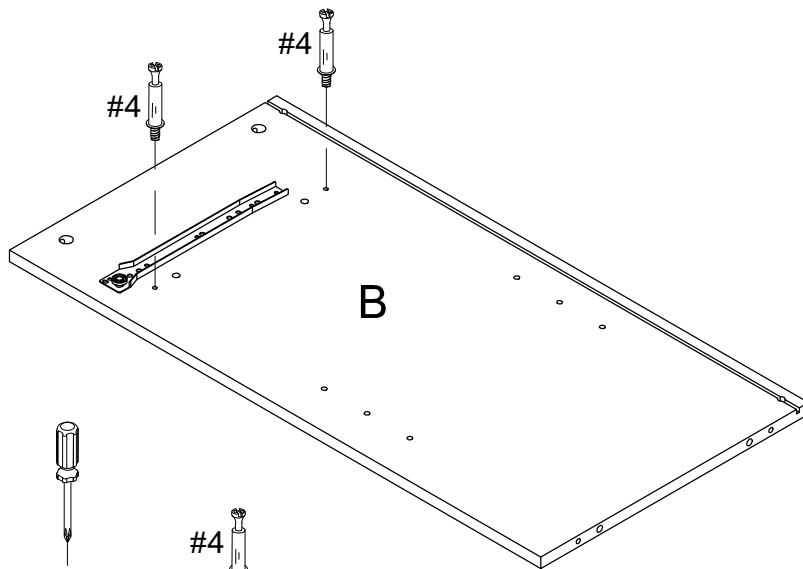
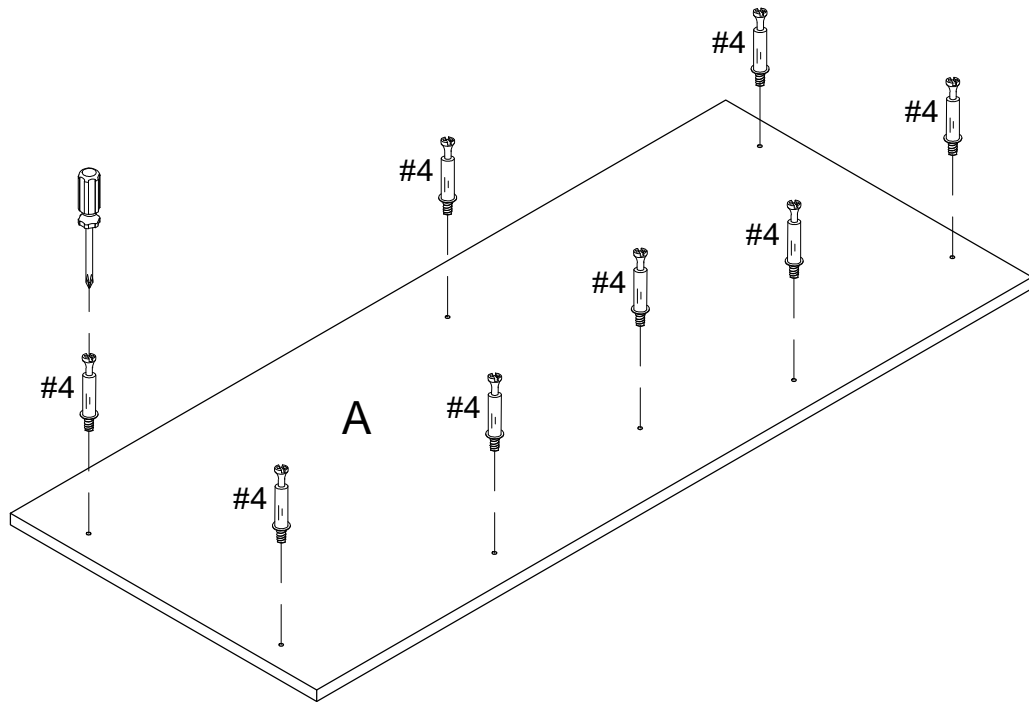
<p>#1</p> 	<p>#2</p> 	<p>#3</p>  <p>Ø4*25mm</p>	<p>#4</p> 	<p>#5</p> 
<p>Screw</p> <p>12 PCS (Extra 2)</p>	<p>Ø8*30mm</p> <p>14PCS (Extra 2)</p>	<p>Screw</p> <p>4PCS (Extra 1)</p>	<p>Ø6*35mm</p> <p>16PCS (Extra 2)</p>	<p>Ø15*9mm</p> <p>16PCS(Extra 2)</p>
<p>#6</p>  <p>3"</p>	<p>#7</p>  <p>3"</p>	<p>#8</p>  <p>Ø4.5*13mm</p>	<p>#9</p> 	<p>#10</p>  <p>Ø3.5*14mm</p>
<p>Caster With Lock</p> <p>2 PCS</p>	<p>Caster</p> <p>2 PCS</p>	<p>Screw</p> <p>16 PCS (Extra 2)</p>	<p>Back Bracket</p> <p>8 PCS (Extra 2)</p>	<p>Screw</p> <p>10 PCS (Extra 2)</p>
<p>#11</p>  <p>Ø6.5mm</p>	<p>#12</p> 	<p>#13</p> 	<p>#14</p>  <p>M4*25mm</p>	<p>#15</p> 
<p>Ø6.5mm</p> <p>8 PCS (Extra 2)</p>	<p>Handle</p> <p>3 PCS</p>	<p>Towel Bar</p> <p>1 PC</p>	<p>Round Head Bolt</p> <p>6 PCS (Extra 2)</p>	<p>Door Magnet</p> <p>1 PC</p>
<p>#16</p>  <p>30*22*1mm</p>	<p>#17</p>  <p>Ø3*12mm</p>	<p>#18</p>  <p>Ø1/4**25mm</p>	<p>#19</p>  <p>4mm</p>	
<p>Door Small Plate</p> <p>2 PCS</p>	<p>Screw</p> <p>2 PCS</p>	<p>Bolt</p> <p>2 PCS</p>	<p>Allen Wrench</p> <p>1 PC</p>	


Step 1.



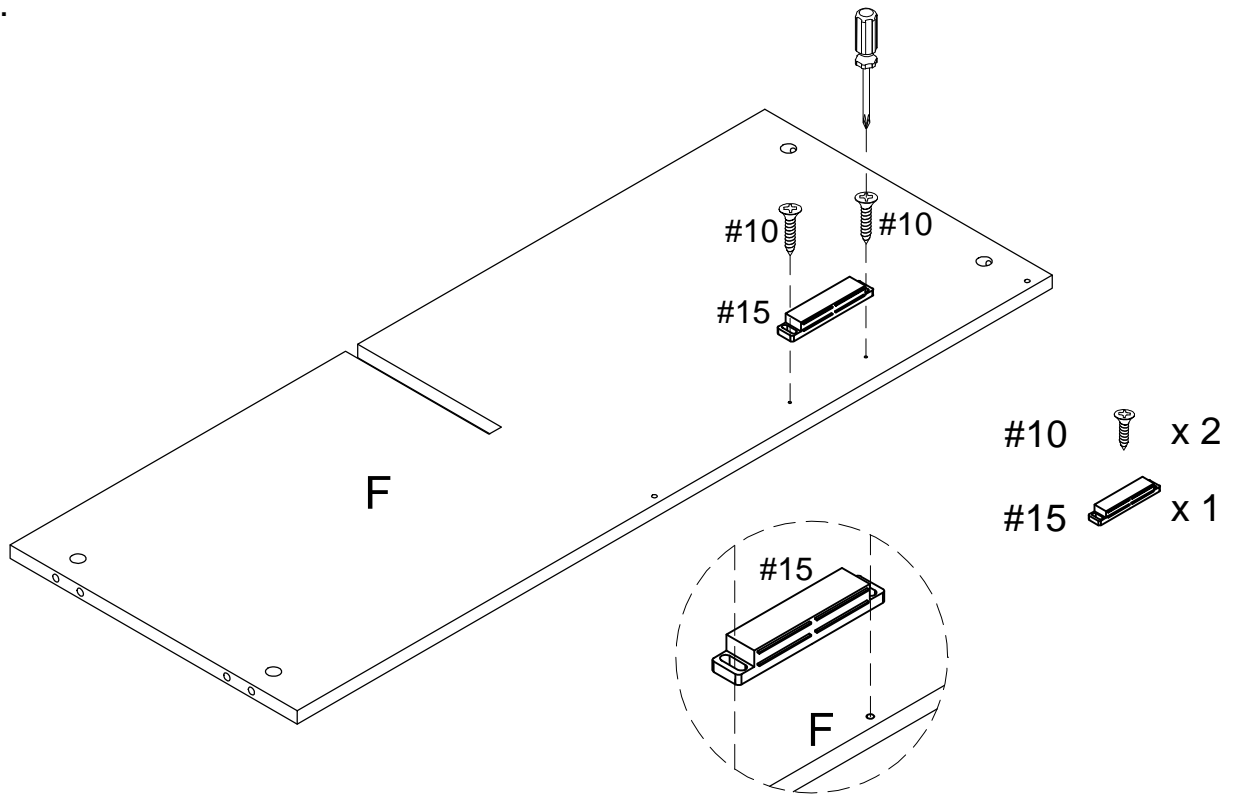
- | | | |
|-----|---|-----|
| #3 |  | x 4 |
| #4 |  | x 4 |
| #5 |  | x 4 |
| #12 |  | x 1 |
| #14 |  | x 2 |

Step 2.

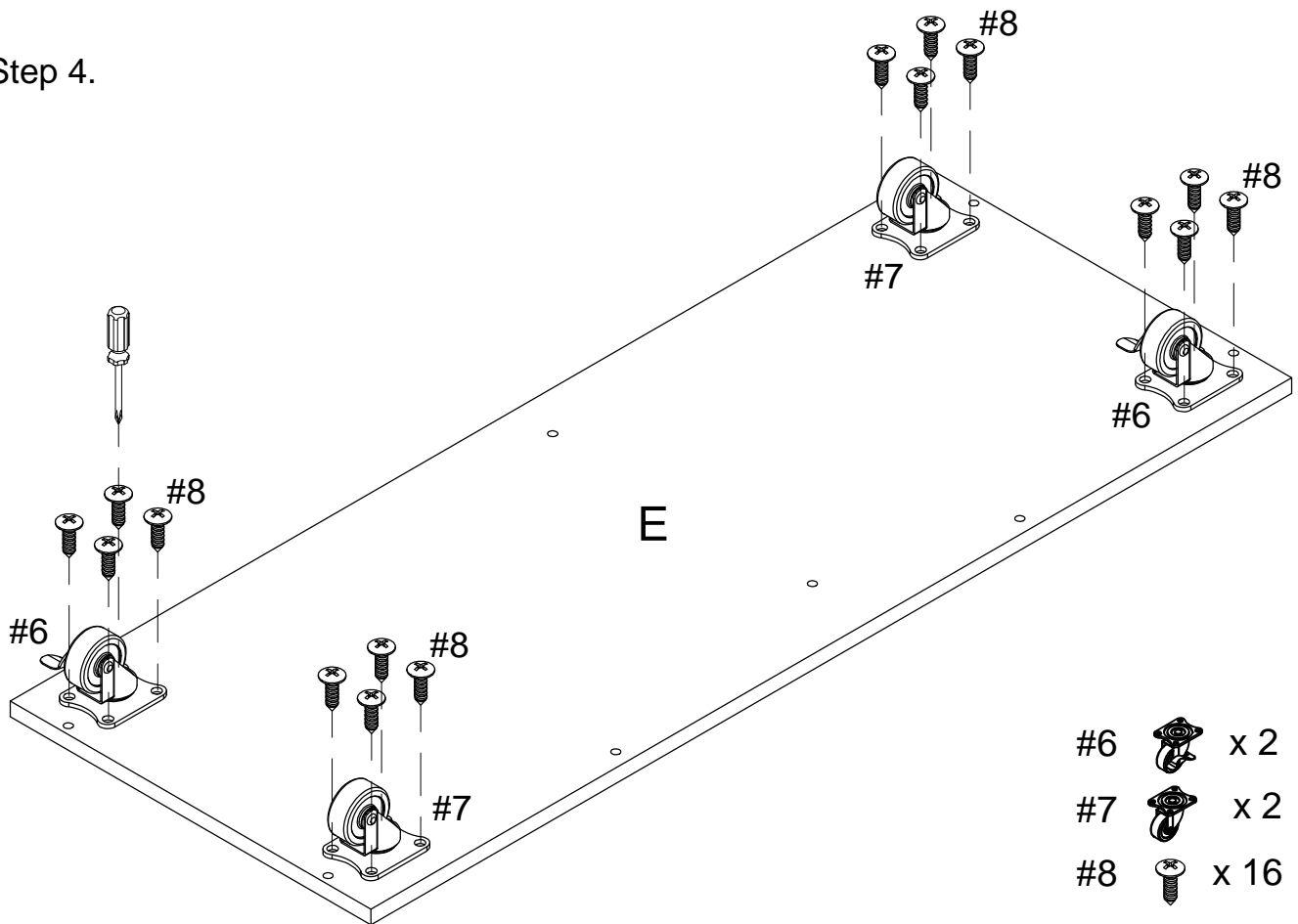


#4  x 12

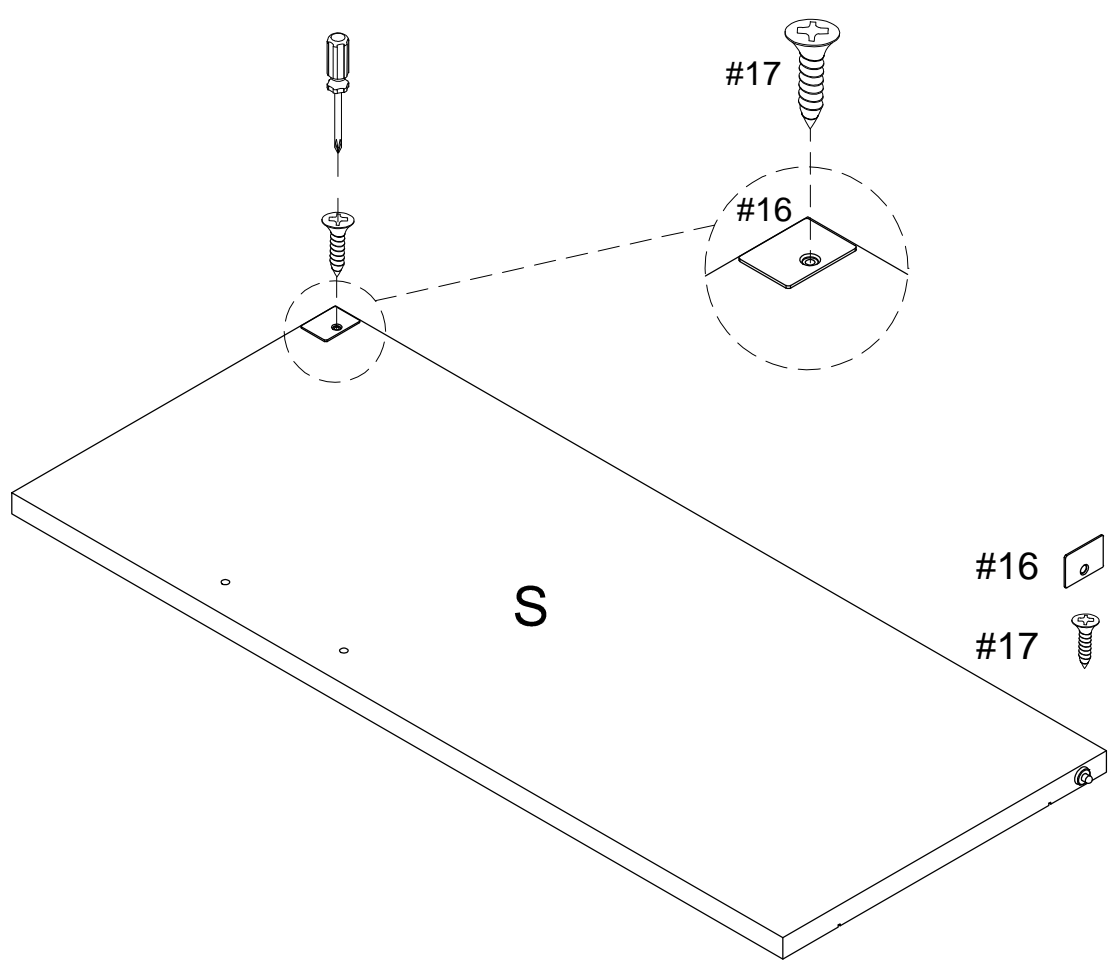
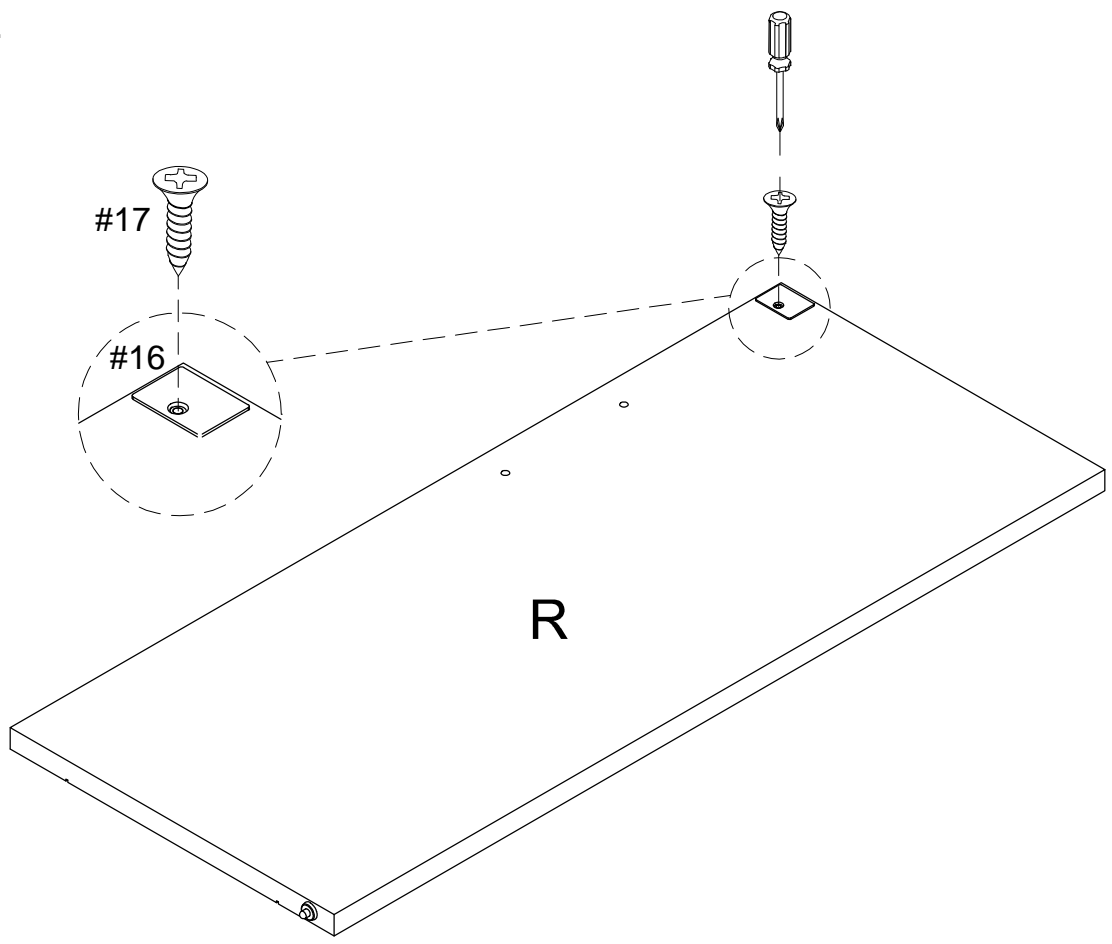
Step 3.




Step 4.



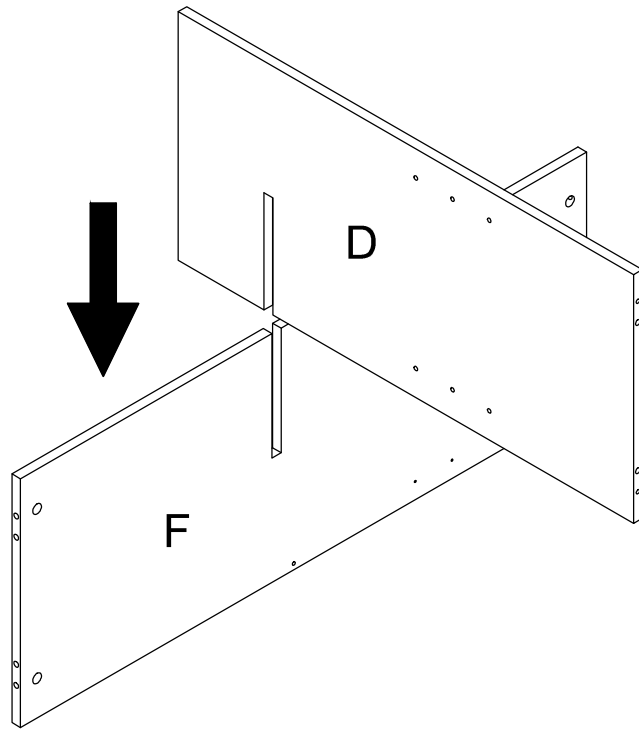
Step 5.



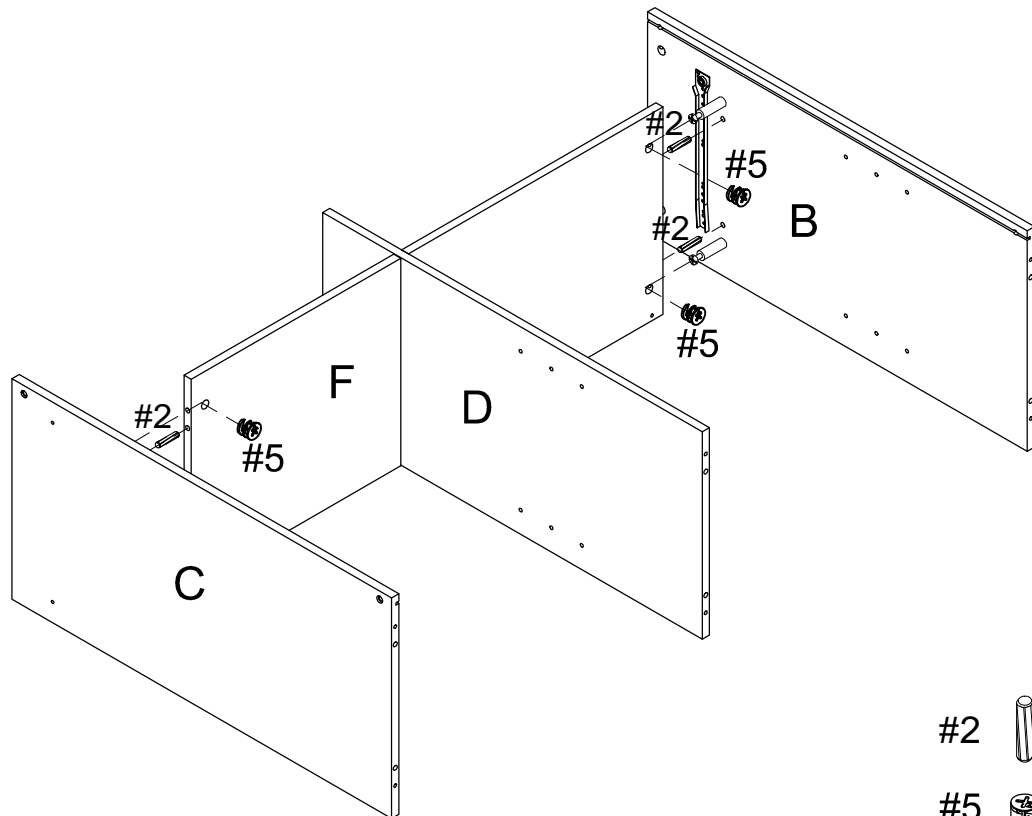
#16  x 2

#17  x 2

Step 6.



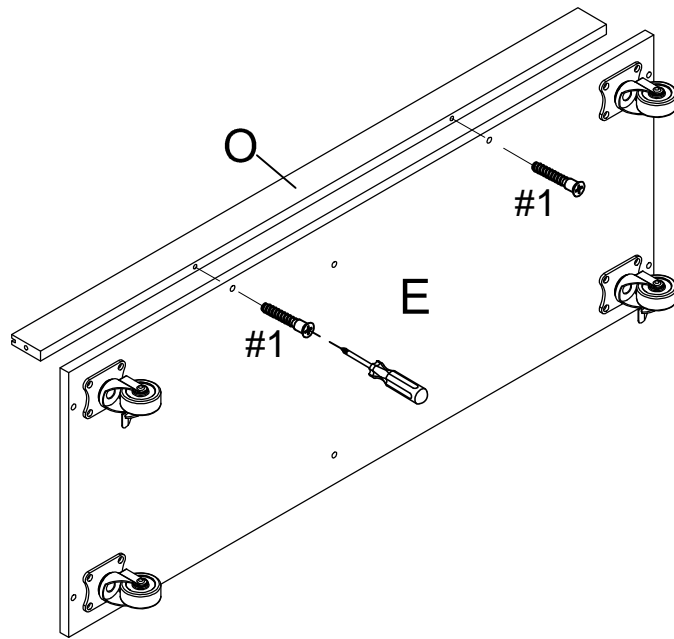
Step 7.




#2  x 4

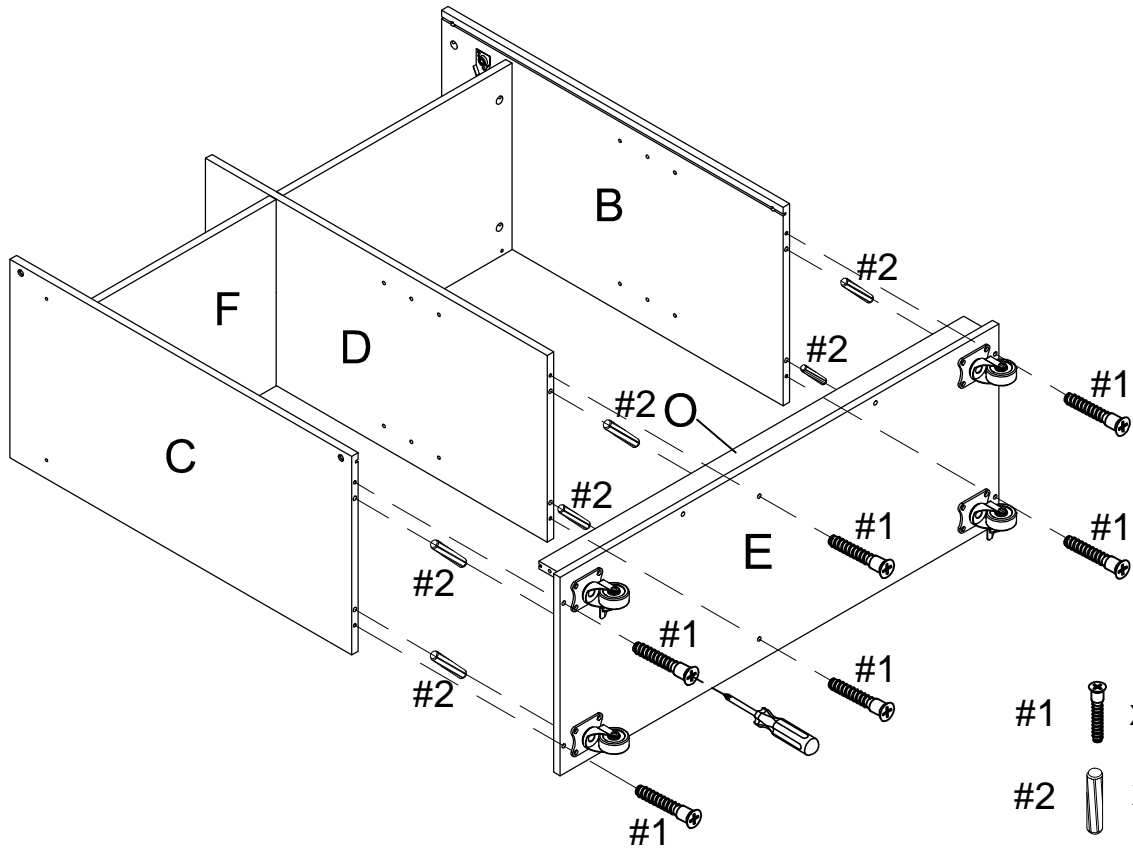
#5  x 4


Step 8.



#1  x 2

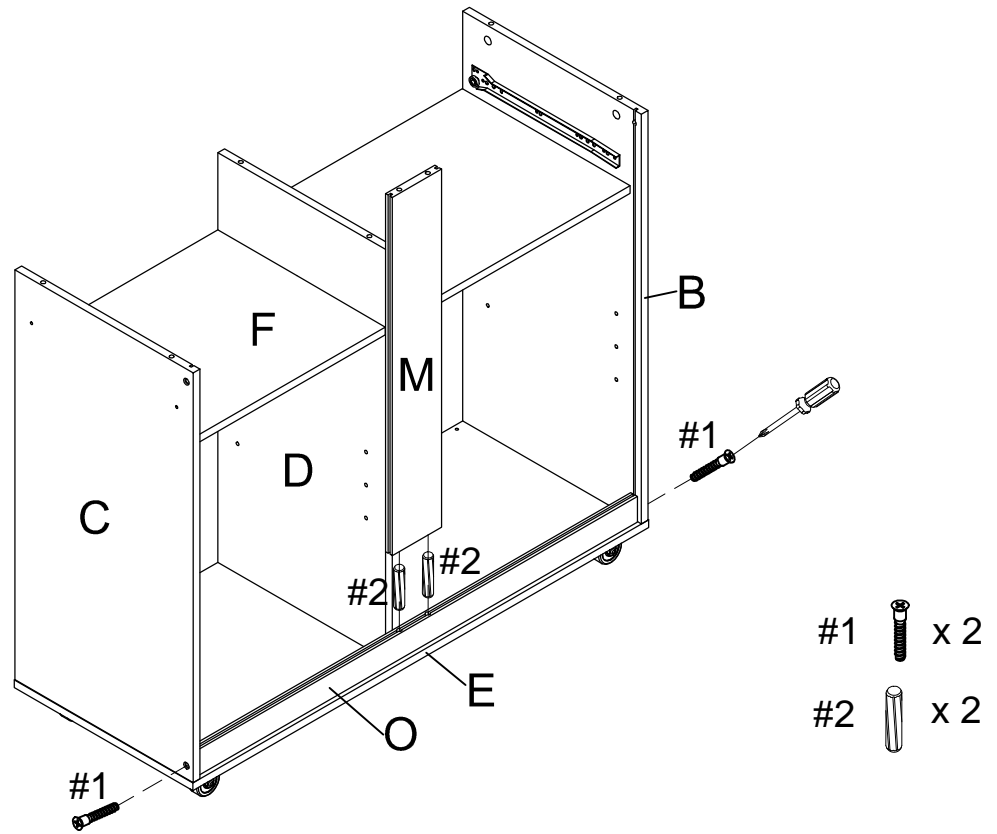
Step 9.



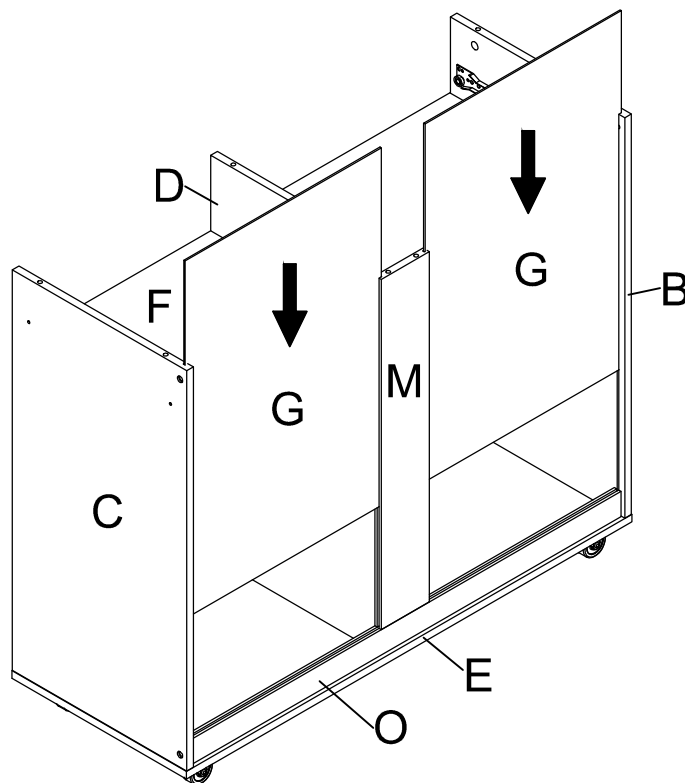
#1  x 6

#2  x 6

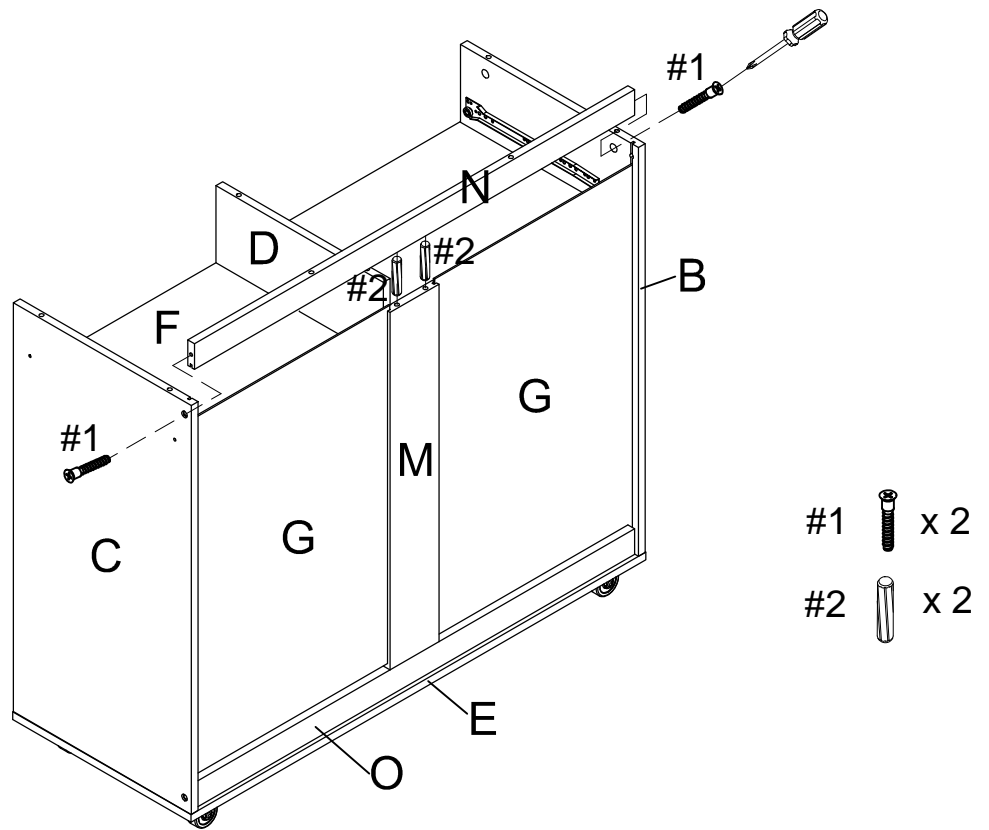
Step 10.



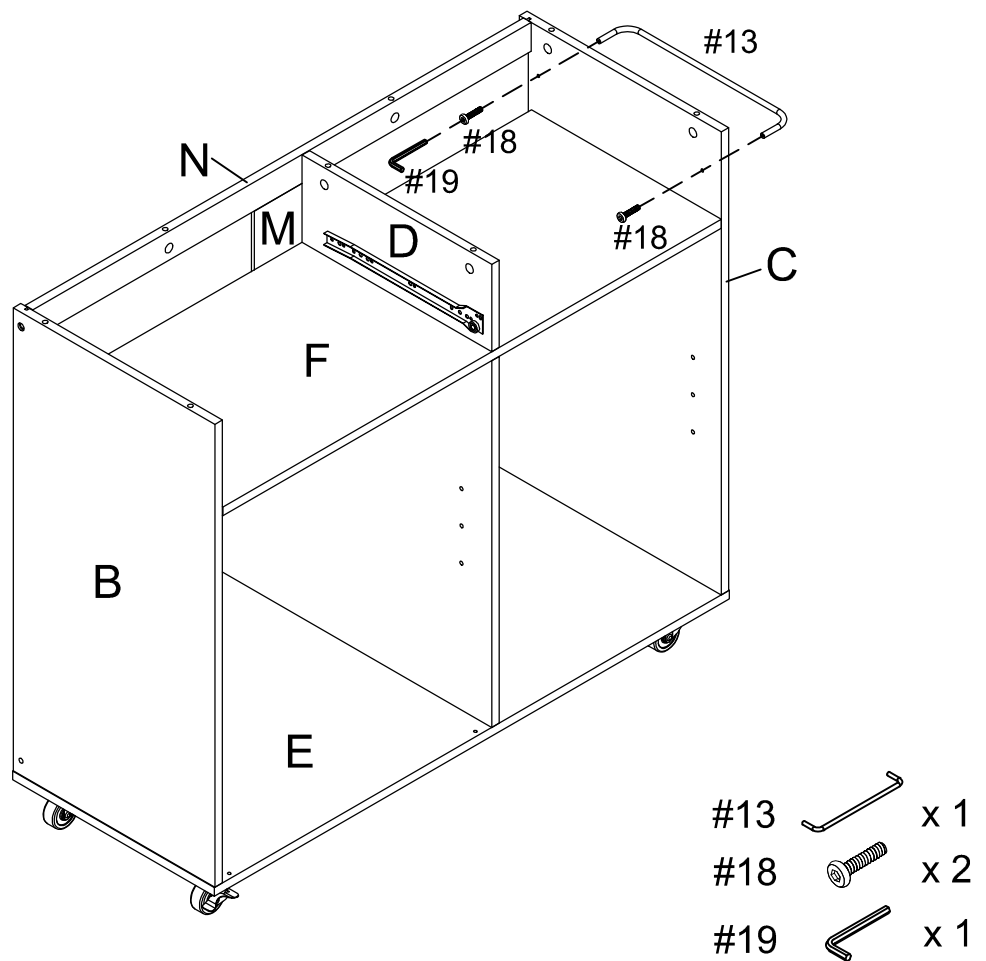
Step 11.



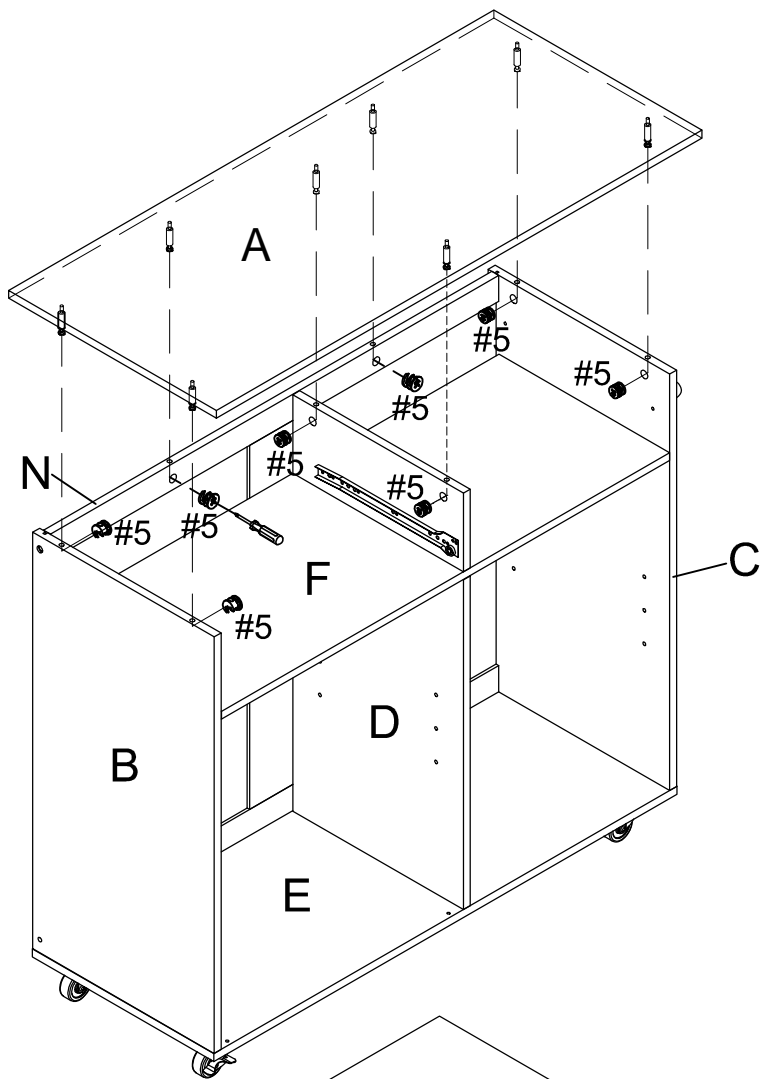
Step 12.



Step 13.

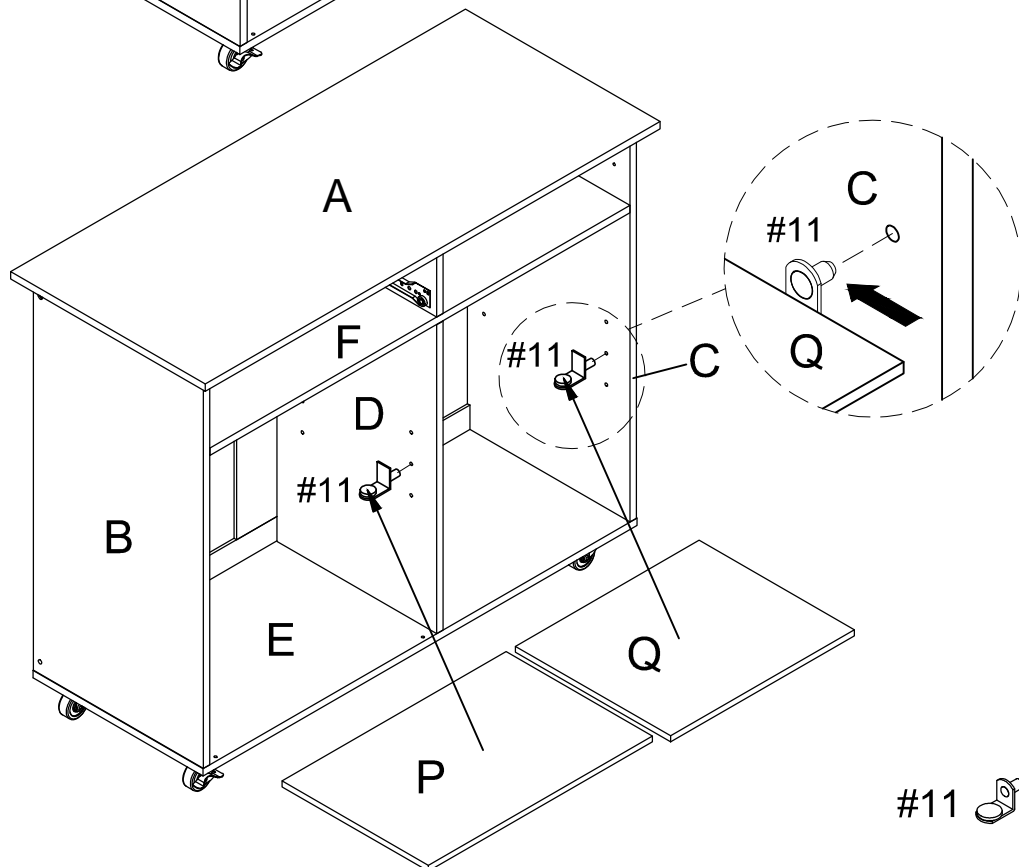


Step 14.



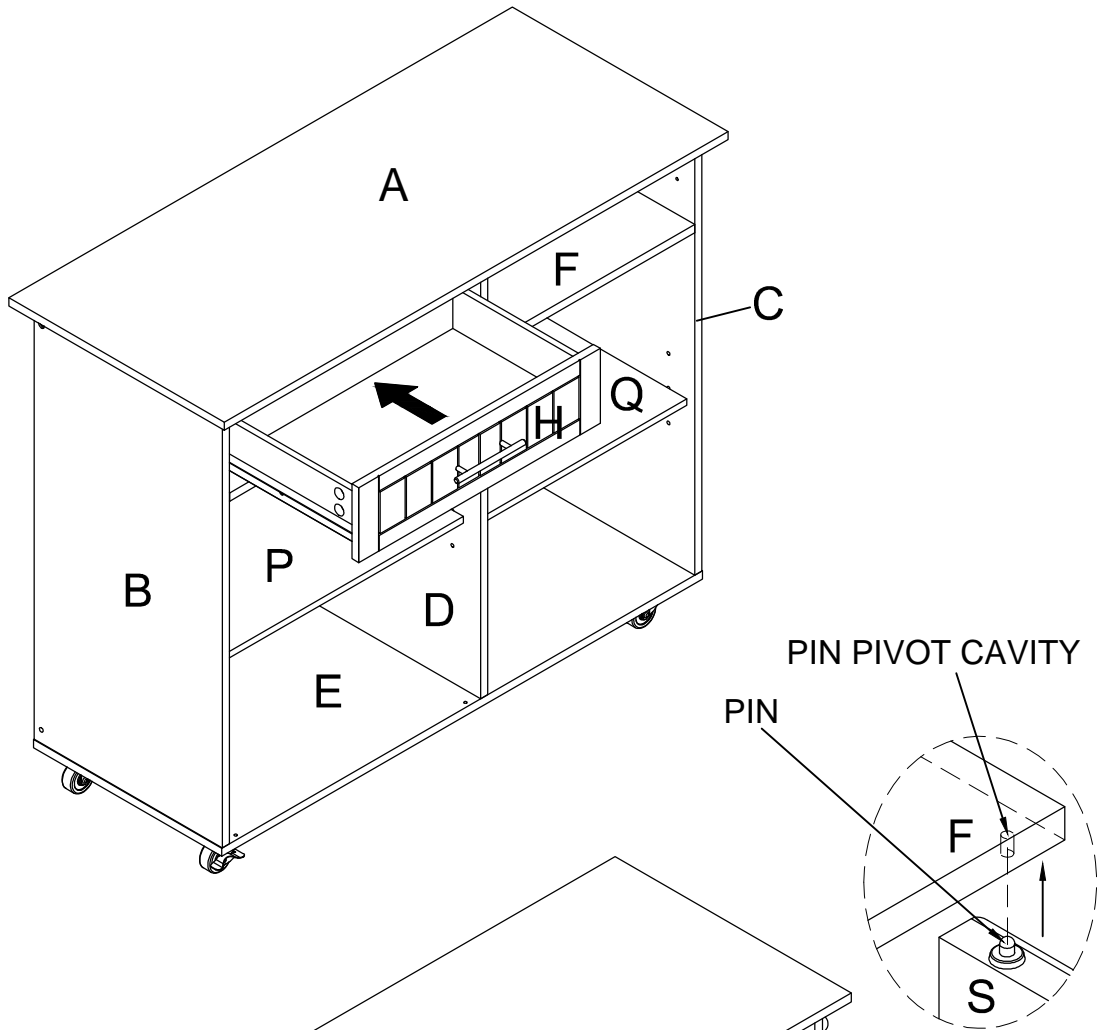
#5  x 8

Step 15.

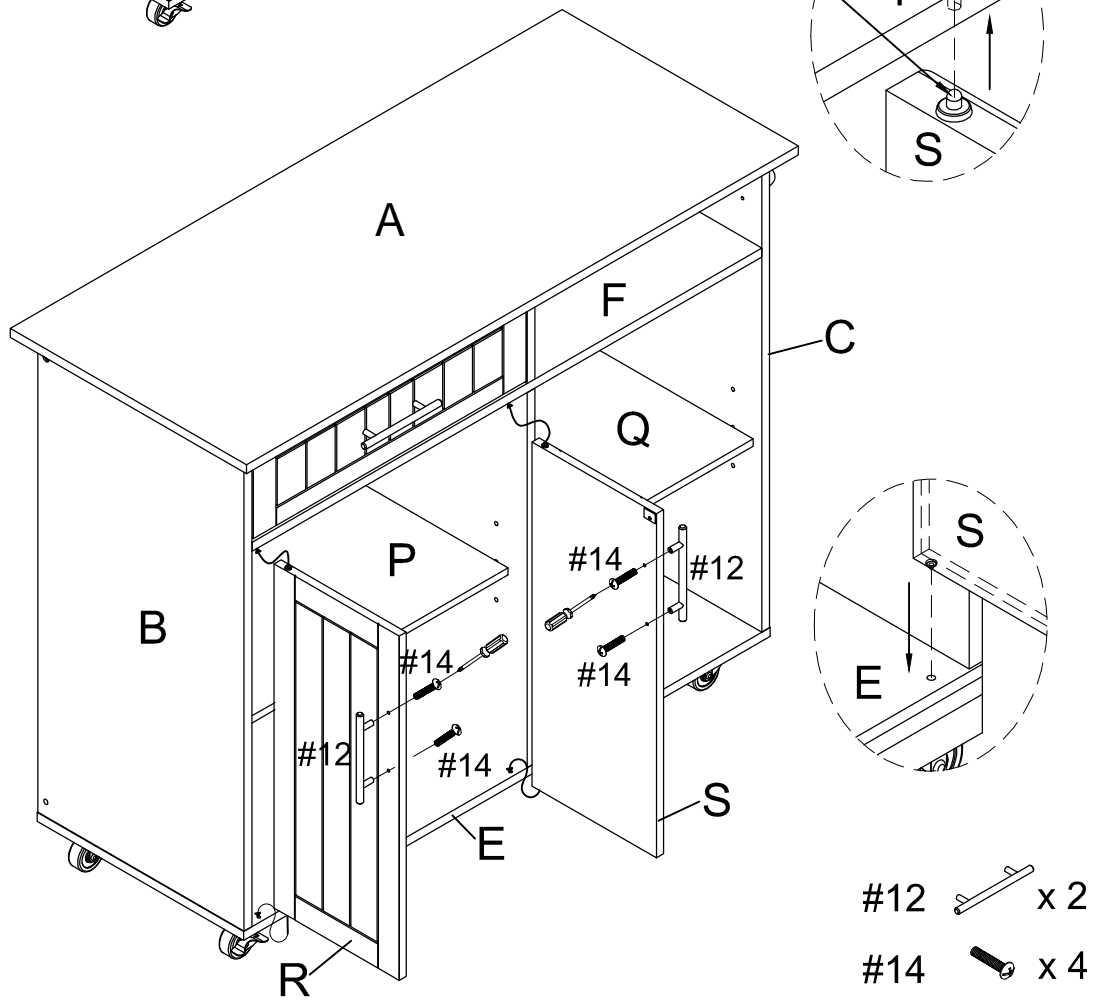


#11  x 8

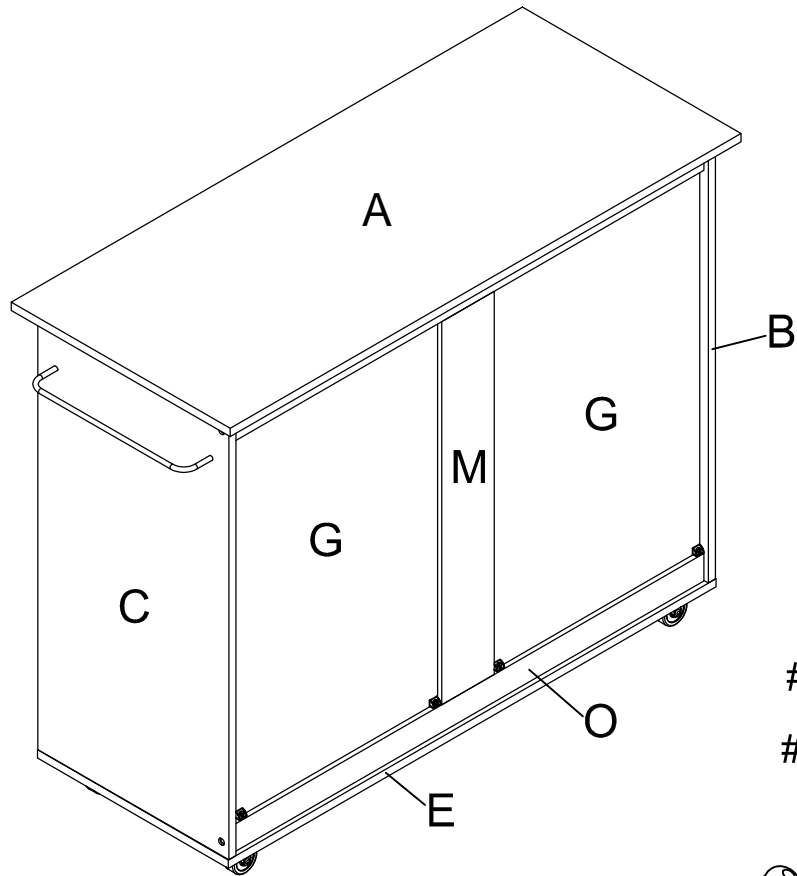
Step 16.





Step 17.



Step 18.



- #9  x 8
- #10  x 8

