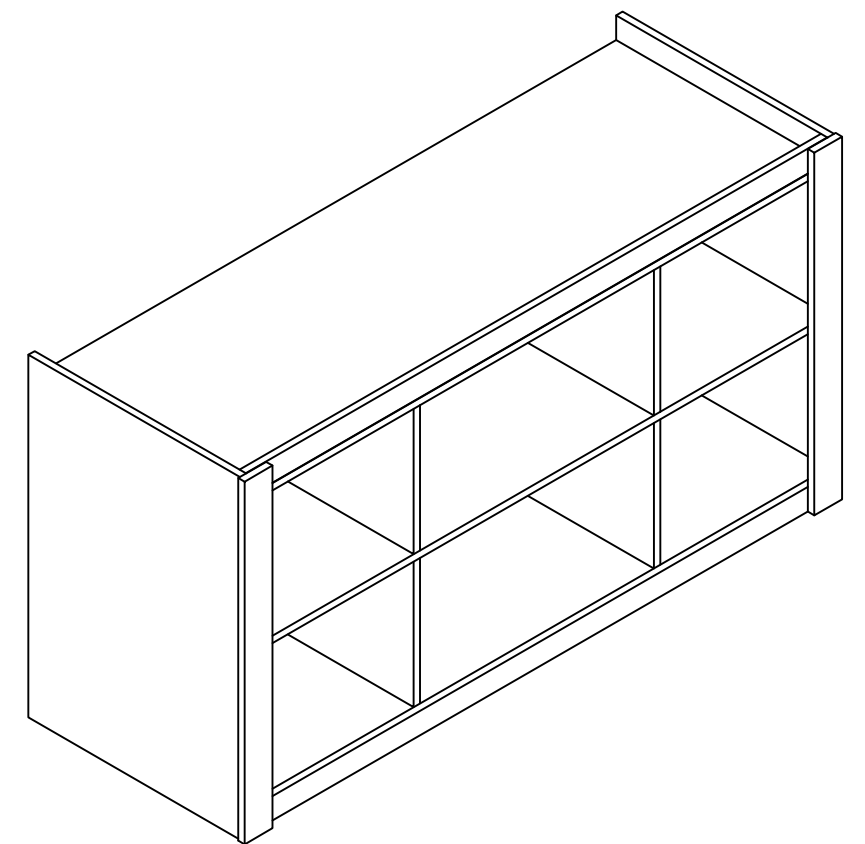
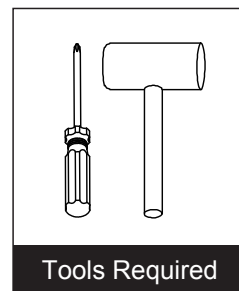
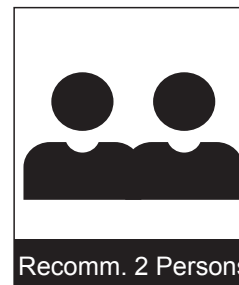
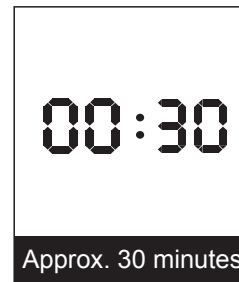











Assembly Instruction

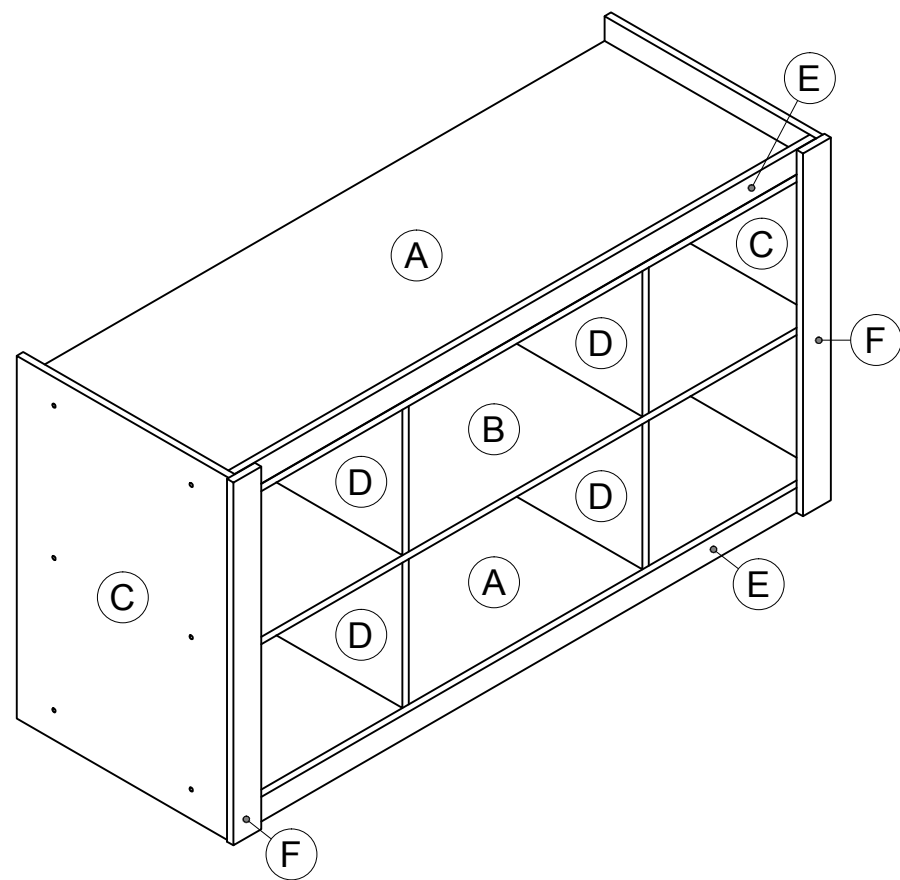
Multipurpose TV Stand Bookshelves



HARDWARE & PARTS LIST

NO	HARDWARE LIST	QTY
1	CAM-LOCK SCREW 	4 PCS
2	CAM-LOCK NUT 	4 PCS
3	38MM C/B SCREW 	12 PCS
4	30MM DOWEL 	14 PCS
5	50MM DOWEL 	4 PCS
6	WHITE GLUE 	1 PC
7	19MM P/H TAPPING SCREW 	4 PCS
8	NAIL 	32 PCS
9	STICKER 	12 PCS

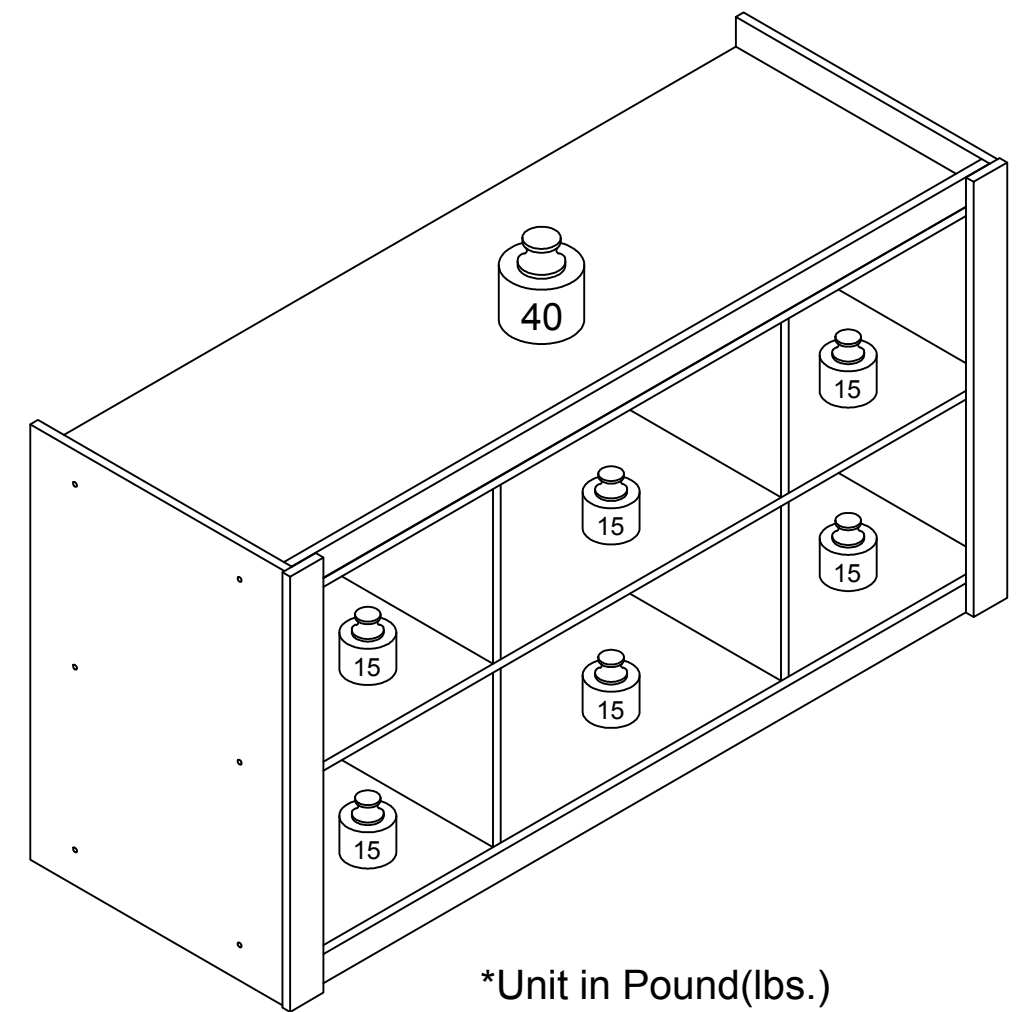
NO	PARTS LIST	QTY
A	TOP & BOTTOM PANEL	2 PCS
B	CENTER PANEL	1 PC
C	SIDE PANEL	2 PCS
D	CENTER SIDE PANEL	4 PCS
E	LONG SUPPORT BAR	2 PCS
F	FRONT SUPPORT BAR	2 PCS
G	BACK PANEL	2 PCS



USEFUL HINTS BEFORE YOU START:

1. Read each step carefully before starting.
2. It is important that each step is performed in correct order to avoid difficulties.
3. Identify, soft and count the parts before assembly.
4. Assemble your furniture on packaging cardboard to prevent scratch or damage.
5. Clean the product with mild cleanser using soft damped cloth. Do not use harsh or abrasive cleanser.
6. Using incompatible hardware might cause damage to product.

Recommended Maximum Weight

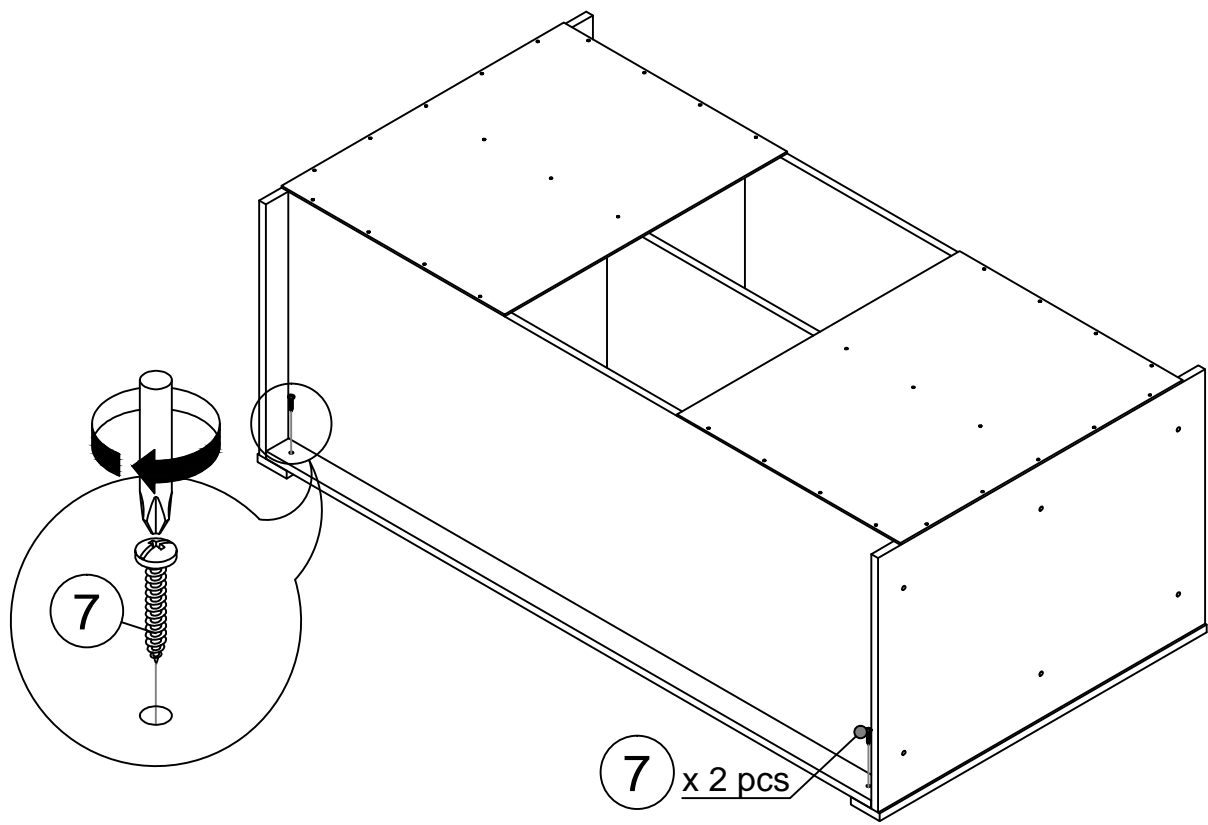


*Unit in Pound(lbs.)

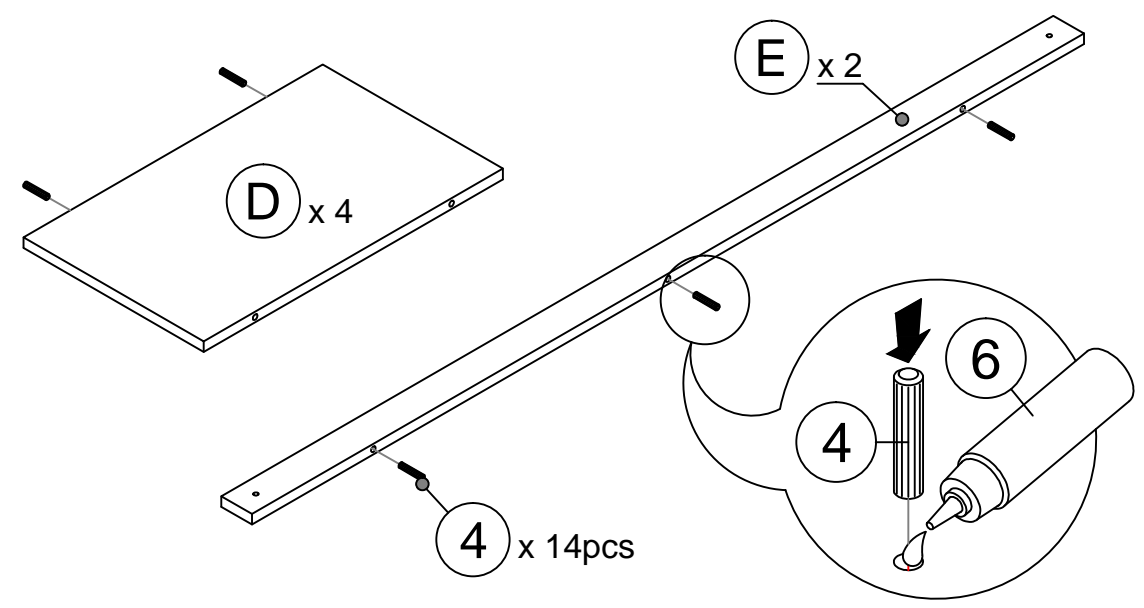
WARNING:

- >This unit has been designed to support the maximum loads shown. Exceeding these load limits could cause sagging, instability, product collapse, and/or serious injury.
- >DO NOT allow children to climb on unit.
- > Put heavier items on lower shelves.

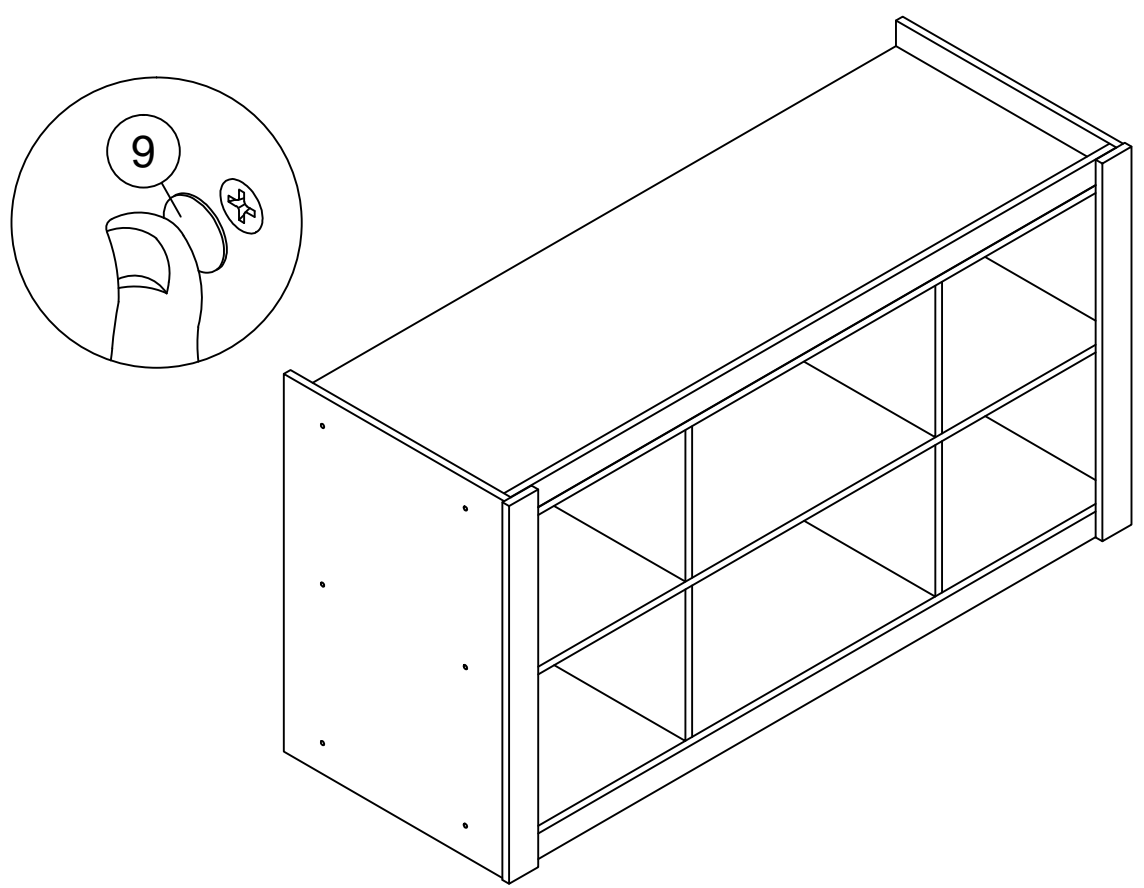
STEP 15



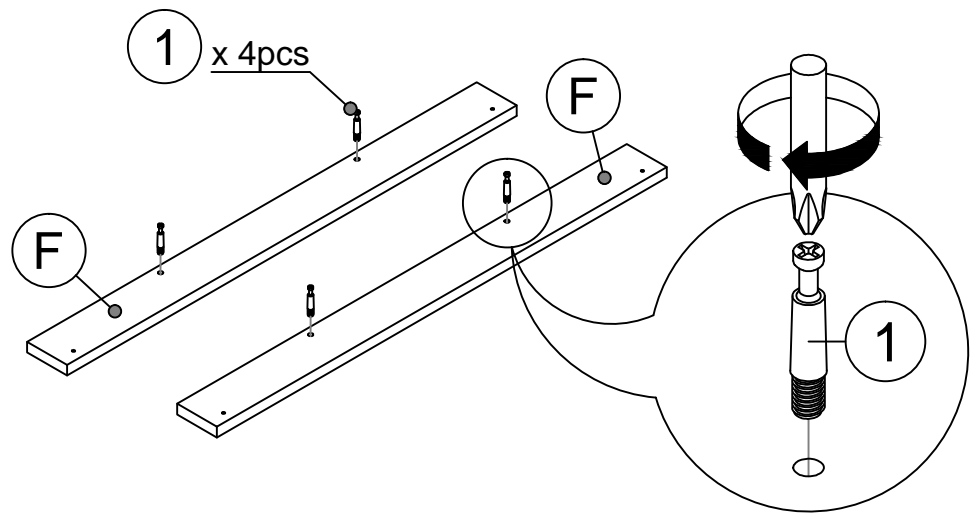
STEP 1



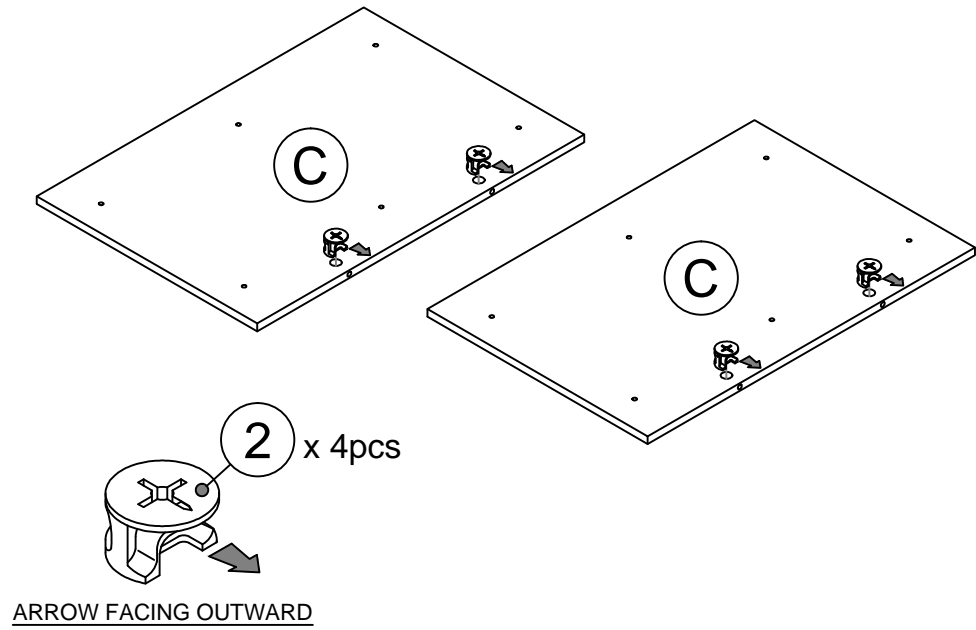
STEP 16



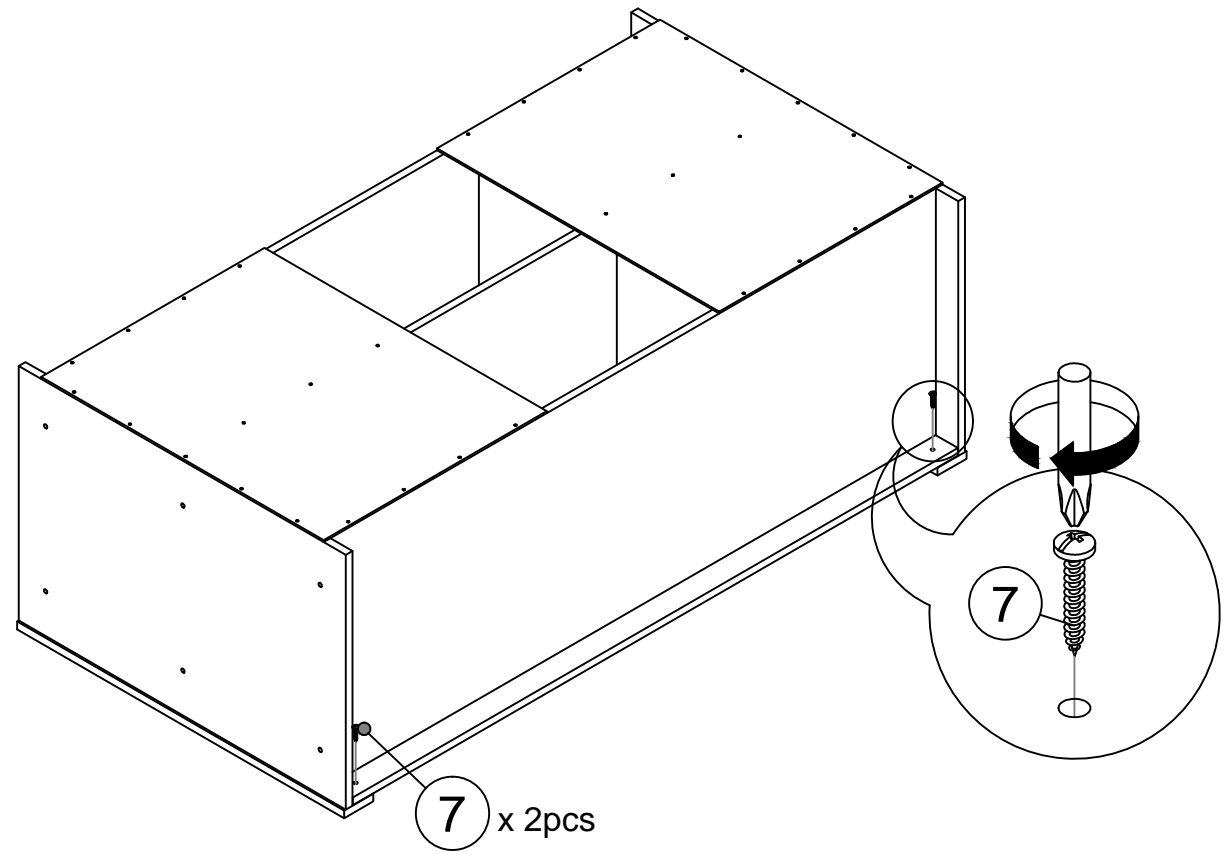
STEP 2



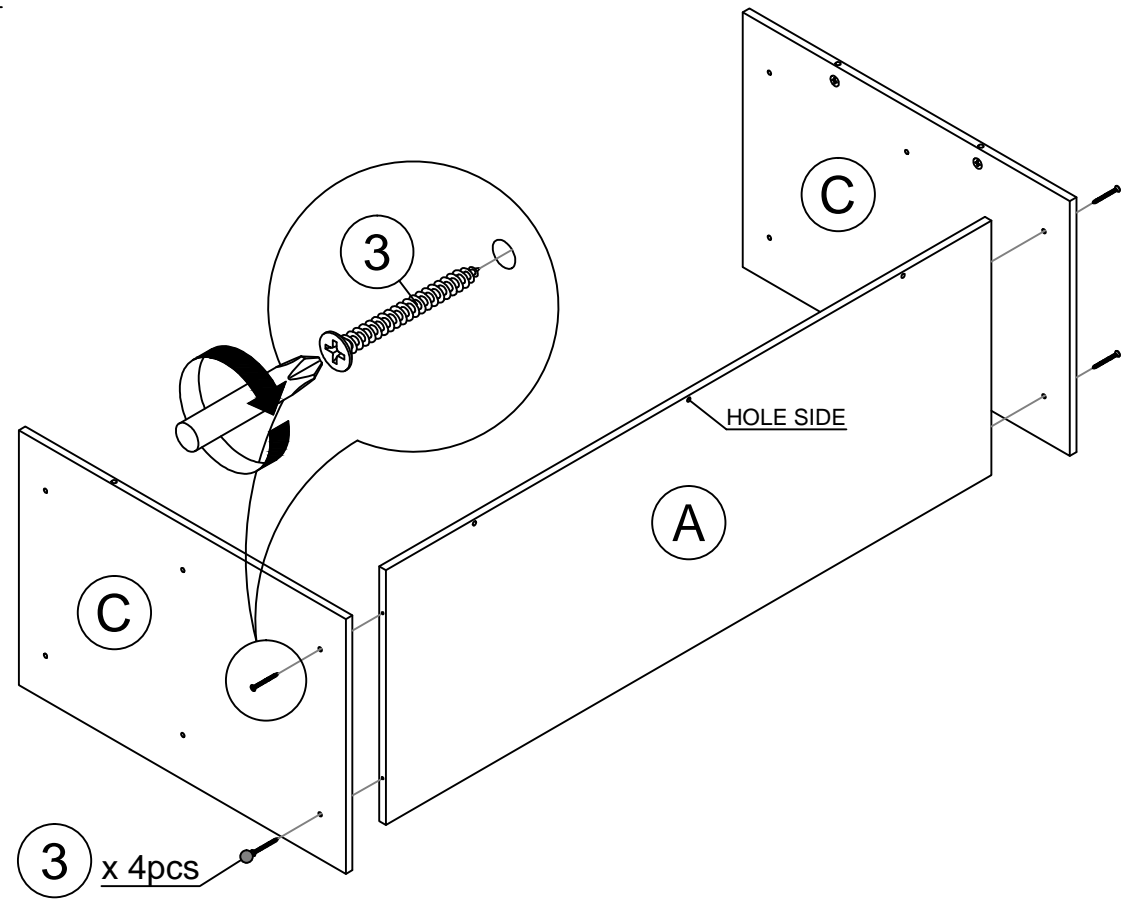
STEP 3



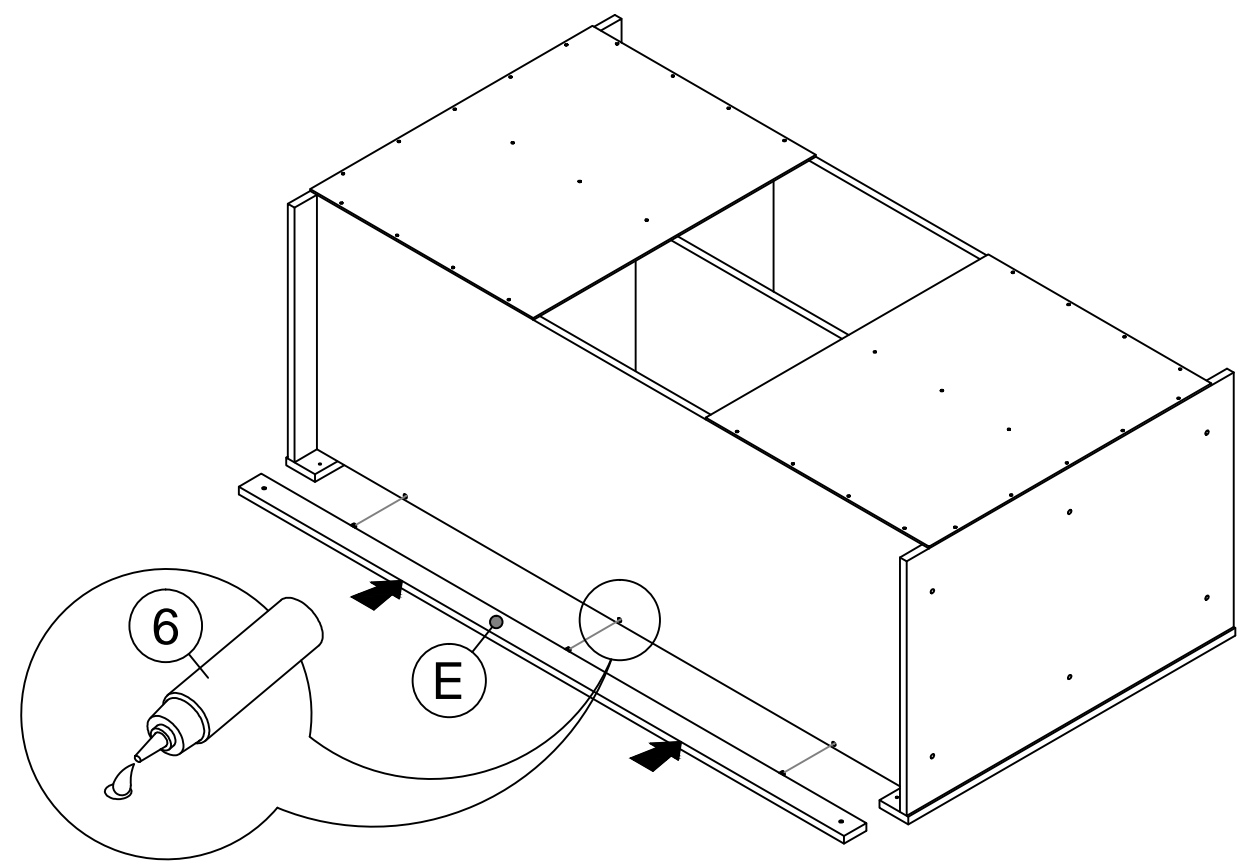
STEP 13



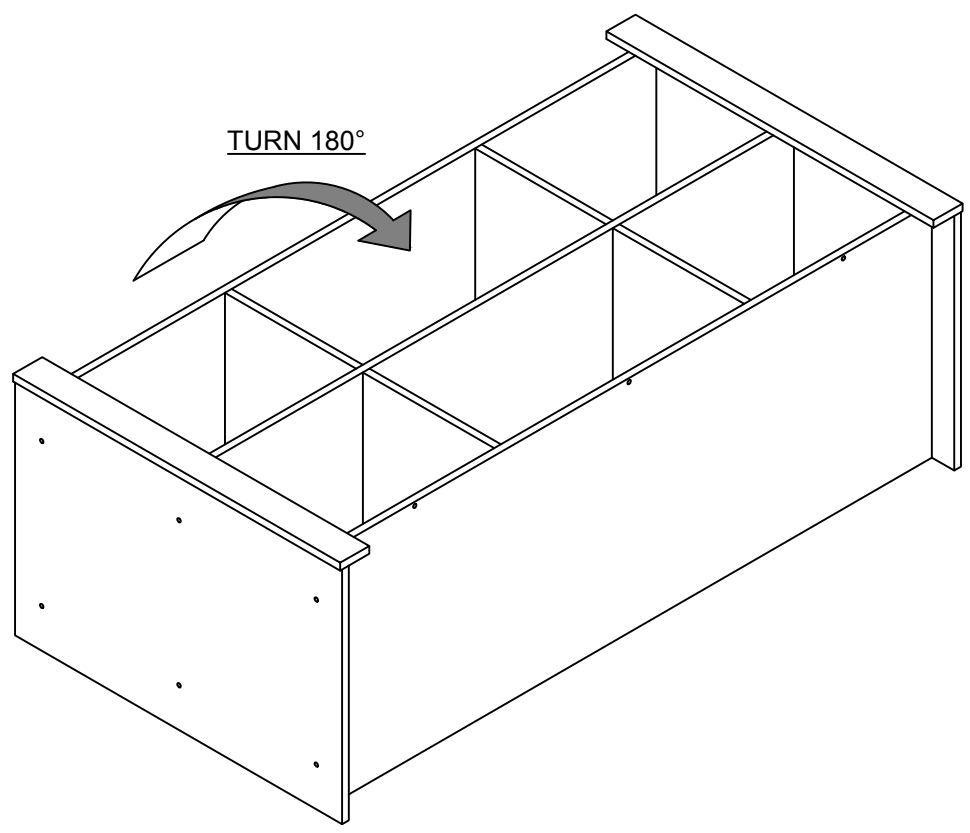
STEP 4



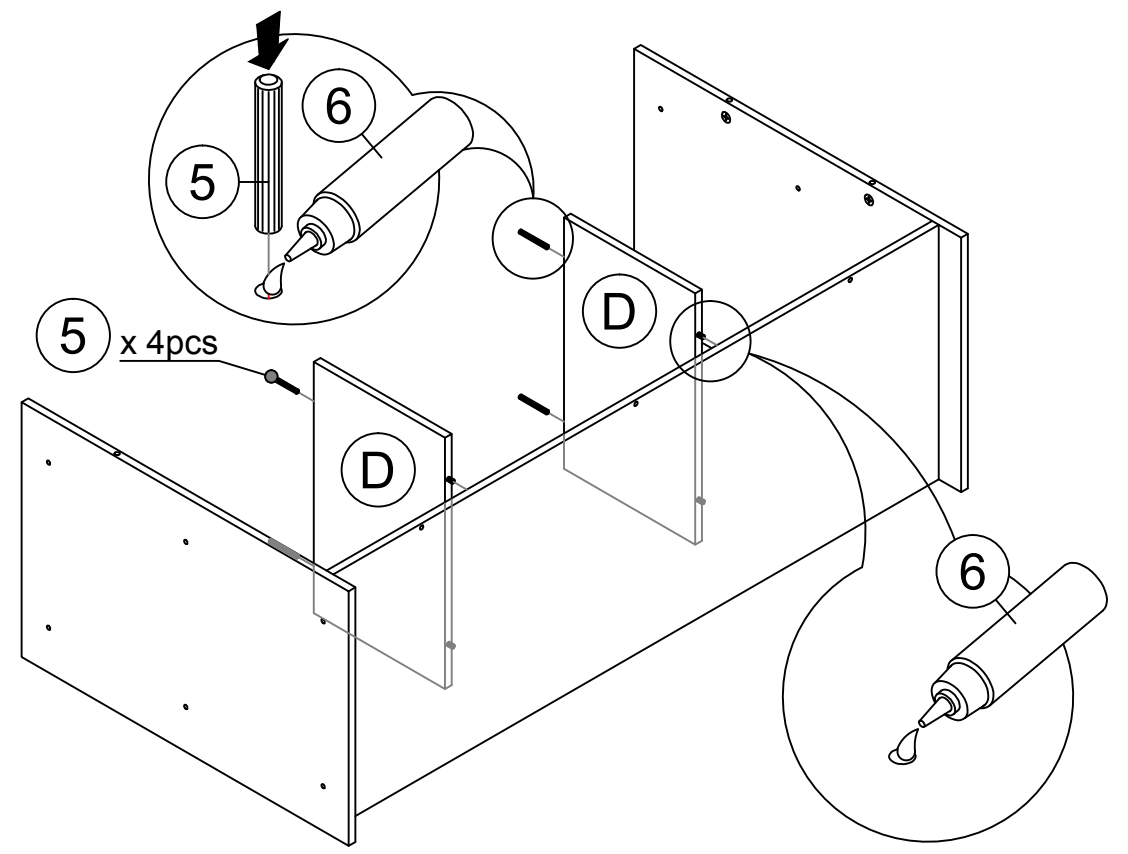
STEP 14



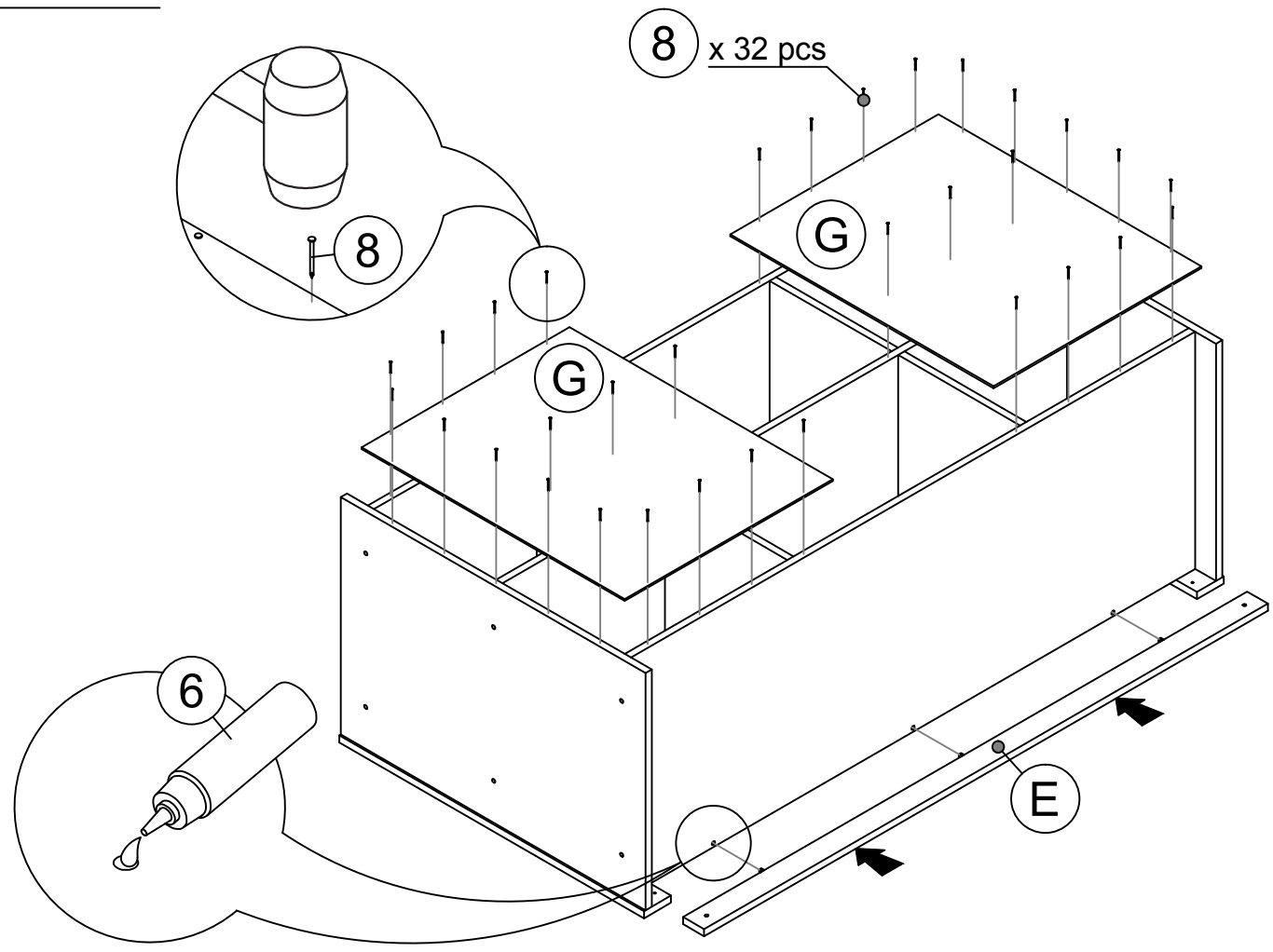
STEP 11



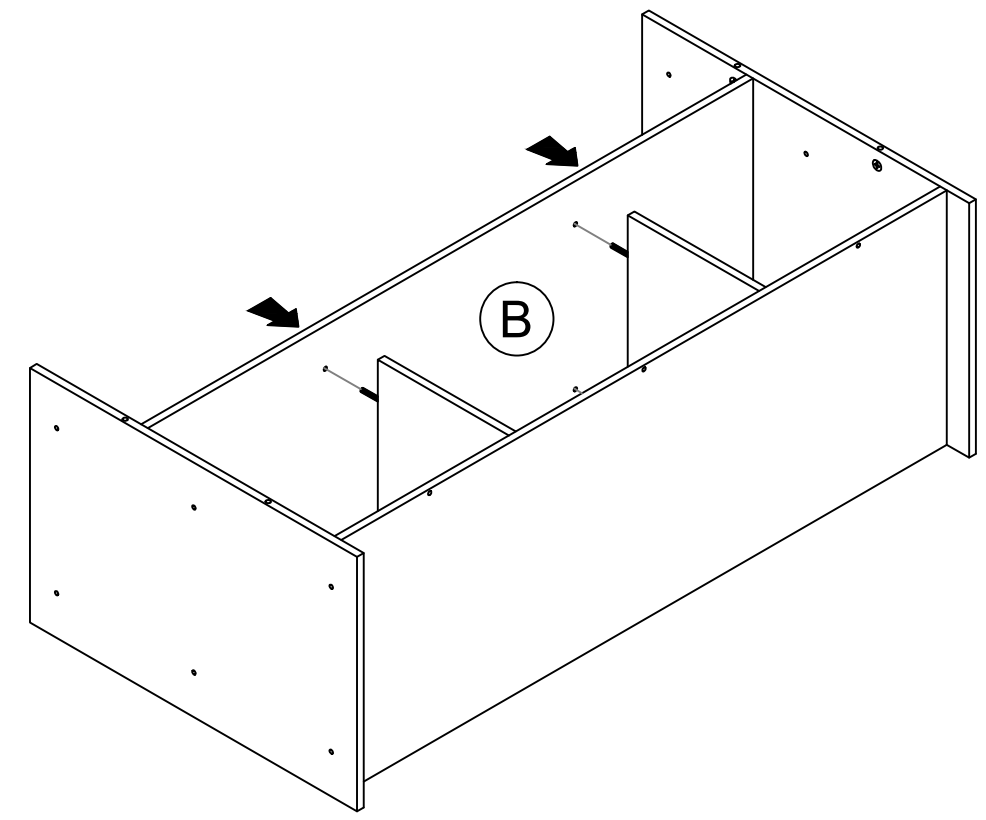
STEP 5



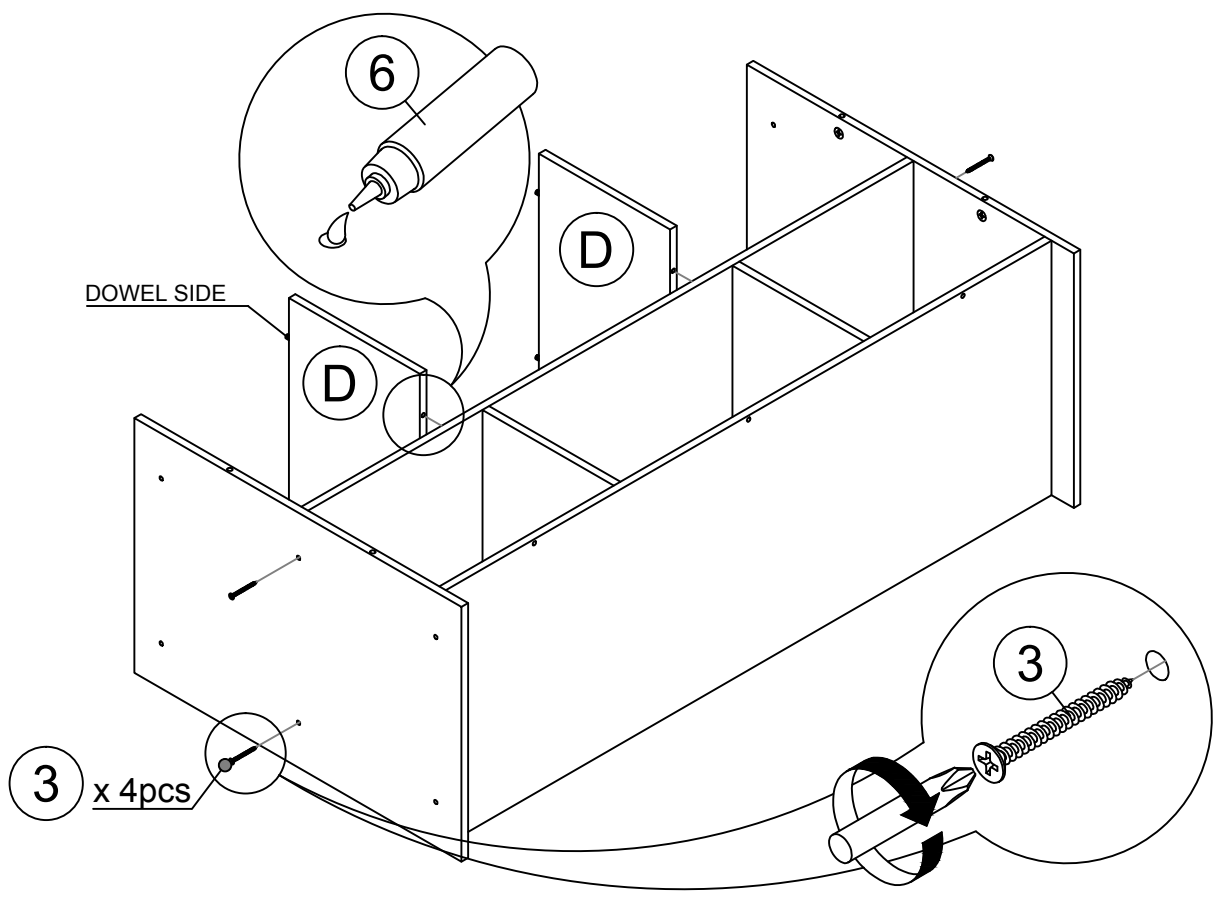
STEP 12



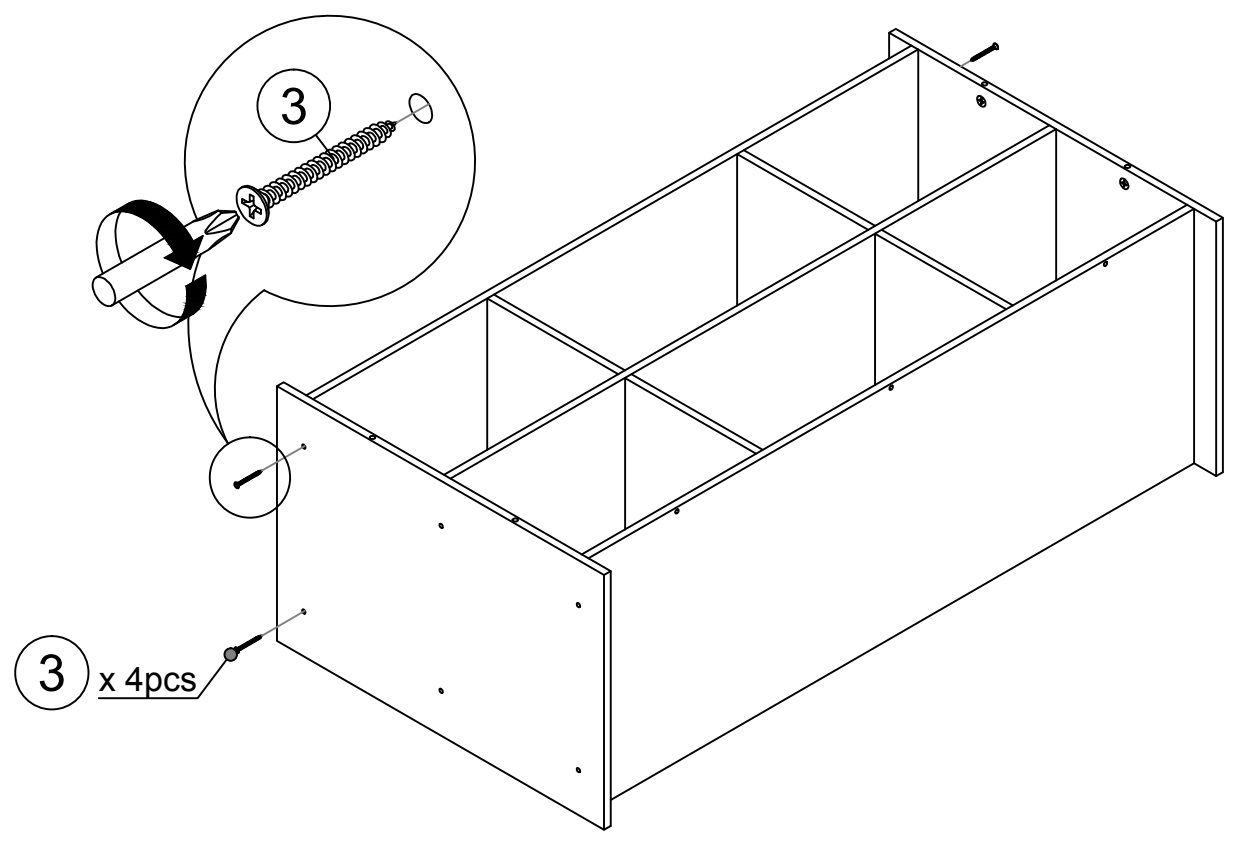
STEP 6



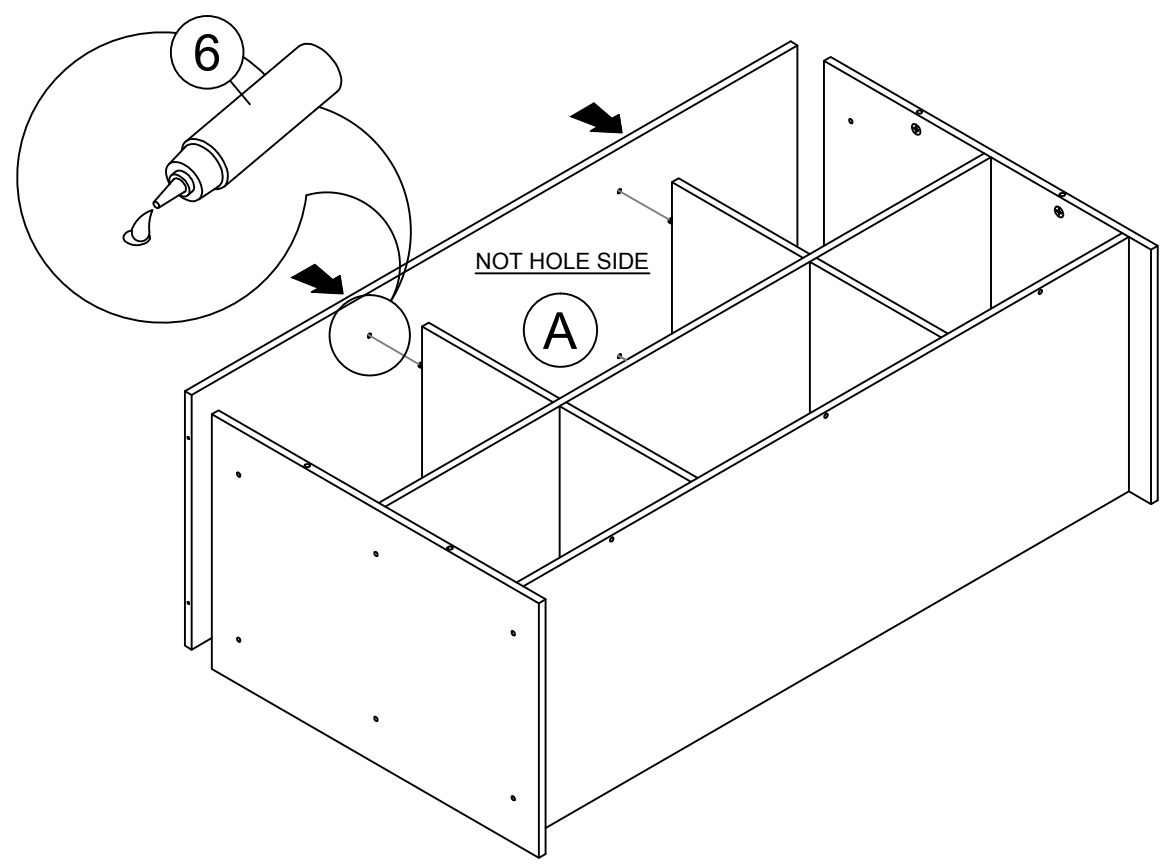
STEP 7



STEP 9



STEP 8



STEP 10

