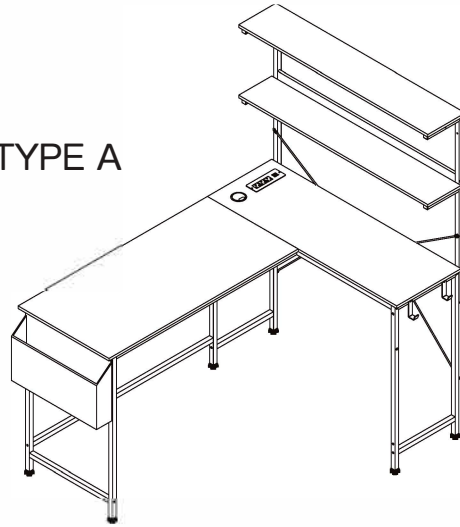
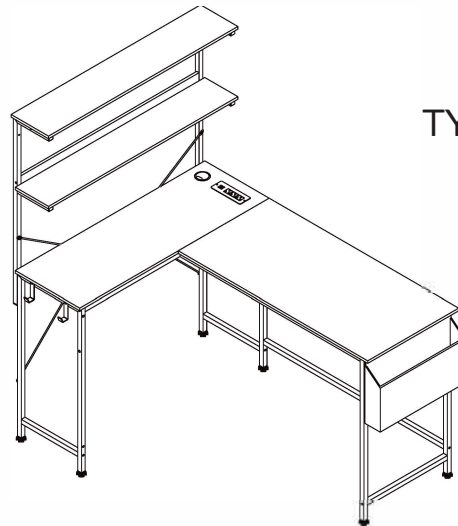


ASSEMBLY INSTRUCTION

TYPE A



TYPE B




Disclaimer

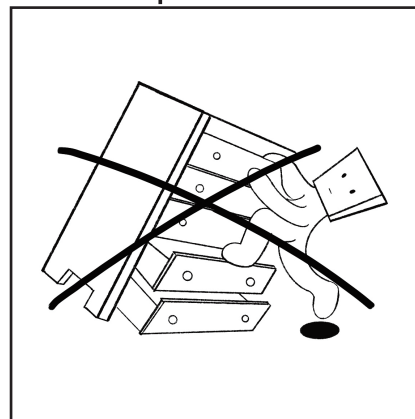
Use of this product constitutes acceptance of this disclaimer. Please read the following terms carefully:

- The product is guaranteed to be safe under normal use or foreseeable misuse.
- This furniture is designed for indoor household use only. Any improper modification, or use beyond the specified weight capacity (see product manual) shall void this disclaimer, and the manufacturer shall not be liable for any damage or injury arising therefrom.
- Regular wear and tear (e.g., fabric fading, minor hardware loosening) due to normal use is not considered a quality defect.
- The manufacturer shall not be responsible for damages caused by improper transportation, storage, or natural disasters (e.g., fire, earthquake).

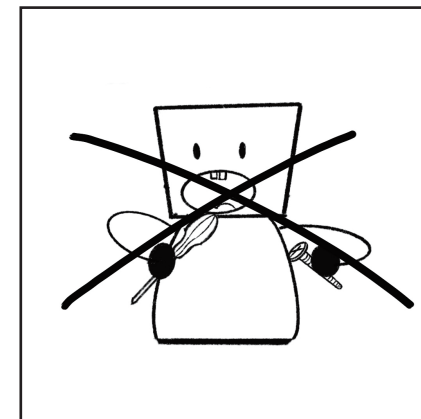
Electrical Safety Precautions

- **Do not** use damaged power plugs or loose power sockets.
- **Do not** move the product by pulling the power cord.
- **Do not** forcibly bend the power cord or place it under heavy objects.
- If the power socket is wet, carefully unplug the product's power plug.
- **Do not** touch the power plug with wet hands.
- Unplug the product's power plug before maintenance.
- For electrical products not in use for an extended period, ensure the power supply is disconnected.

 Children should use this product only with adult supervision.



DO NOT CLIMB OR HANG



DO NOT PLAY WITH OR SWALLOW SMALL PARTS

Installation of Anti-Tip Device Kit:

1. For the safety of you and your family, the Anti-Tip Device Kit must be installed.
2. For products with wheels, it is recommended that the Anti-Tip Device Kit be installed.

Weight Capacity:

–**Do not** place items exceeding the maximum weight capacity of the product. (For the product's weight capacity, please refer to the product link.)

Usage Scenarios and Maintenance Methods

- **Do not** place the product in a humid environment.
- Avoid direct exposure to high temperatures and keep it away from heat sources.
- Clean and maintain the product regularly.
- Place it on a flat surface. When moving is required, ensure that at least two people lift it together.
- Check the condition of screws regularly. If any screws are loose or fall off, reinforce them promptly.

Steel–wood products



Preparation before Installation

–Please read the assembly instructions carefully before installation and keep this manual for future reference. Check that all components are complete, including panels, hardware fittings, screws, plastic parts and other small components.

Ensure that **only adults** perform the installation, and keep children away from the installation area.

Instructions for Use

- (1) Install in accordance with the instruction manual or professional guidance to ensure that screws, connectors, and other components are securely fastened. Make sure the support points are evenly in contact with the ground; if not, adjust the adjustable feet to level the product.
- (2) Place items stably. Heavier items should be placed at the bottom (layer) to avoid instability and tipping due to an unbalanced center of gravity.
- (3) Avoid prolonged exposure to direct sunlight or humid environments to prevent aging or mildew.
- (4) **Do not** place heavy objects exceeding the product's load – bearing capacity, so as to avoid deformation and sagging of the wooden boards, which may affect the service life of the product.
- (5) Regularly clean dust and stains on the surface to maintain hygiene.
- (6) Suitable anti – collision corners can be installed to prevent children from being injured by sharp parts. This product is not a children's furniture. When children use this product, they should be accompanied and supervised by adults to ensure safe use. Adults and children are prohibited from climbing on it. It is forbidden to use the product as a support or stand on it for high – altitude operations.

- Steel–wood furniture is prone to moisture and rust, so it should avoid long–term contact with water or exposure to light and humid environments.
- Keep away from corrosive substances and avoid contact with corrosive chemicals such as acids and alkalis to prevent damage to the surface coating.
- High–temperature or frozen items should be placed on the furniture after being padded with heat–resistant mats; heavy or hard items should be placed on the tabletop after being padded with soft decorative tablecloths or felt pads for protection.
- Keep away from high temperatures and fire sources: It should be kept away from high temperatures, open flames or heat sources to prevent fires.
- Pay attention to the load–bearing range of the product and avoid overloading.
- Secondary drilling on metal parts is not recommended, as it will damage the internal structural strength.
- It is recommended to replace the product under the following circumstances: large–area rust or deformation of the base material, loose connection parts after multiple repairs, and significant decline in load–bearing capacity.
- Strictly use anti–tipping components in accordance with the instructions.
- It is strictly forbidden to violently open or close the doors and drawers of the furniture. When in use, appropriate force should be applied to avoid loose connections.

- When moving the furniture, items in the cabinet and drawers should be taken out, and movable parts such as doors and drawers should be fixed to prevent the furniture from tilting and parts from sliding off and causing injury. Do not drag or push hard during moving to avoid loose connectors and broken parts. The product needs to be lifted off the ground by multiple people at the same time, and attention should be paid to safety during moving.



Maintenance Methods

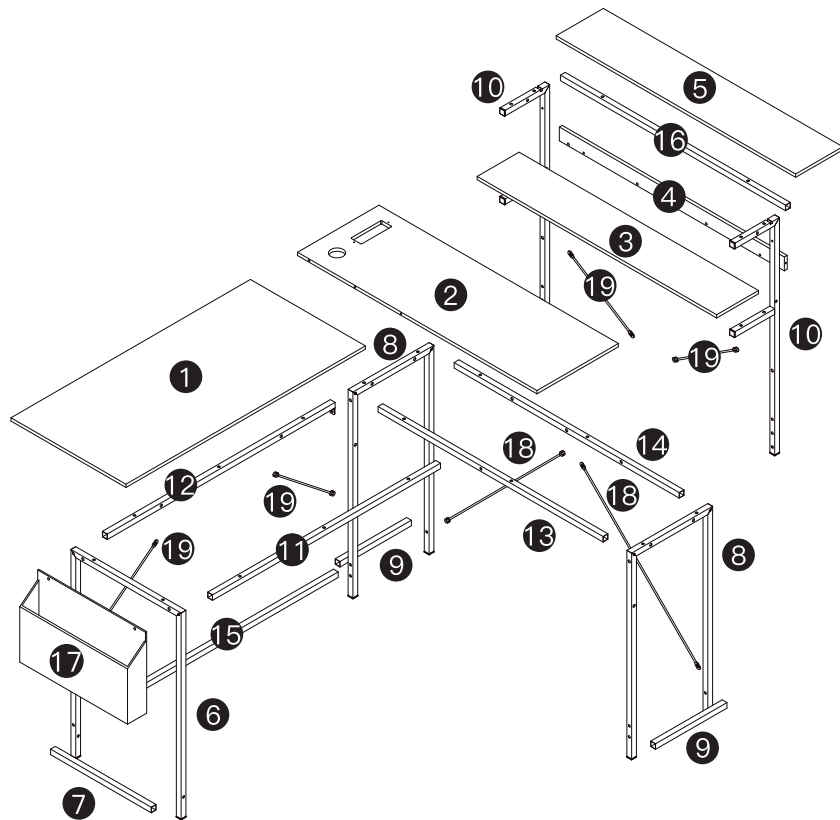
- (1) **Loose connectors:** Check the tightness of the connectors every 3 months. If they are loose, use the matching wrench to adjust and tighten them.
- (2) **Surface cleaning:** Wipe with a soft dry or slightly damp cloth; do not use steel wool, hard objects, rough scouring pads, or acidic cleaners to avoid scratching the surface coating.
- (3) When opening the cabinet doors and drawers of the product, apply appropriate force. It is strictly forbidden to open or close them violently, as this may cause loose connections.
- (4) In suitable weather, regularly open the cabinet doors and drawers, take out the internal items, and ventilate the furniture to remove moisture.
- (5) Place high-temperature or frozen items on the furniture after placing them on heat-resistant mats; place heavy or hard items on the tabletop after covering them with soft decorative tablecloths or felt pads for protection.
- (6) **Rust prevention:** Regularly apply anti-rust oil or wax, especially in humid environments.

(7) **Coating protection:** For metal parts with coatings, avoid using strong acid or strong alkali cleaners to prevent the coating from peeling off.

(8) **Lubricating connectors:** Regularly lubricate moving parts (such as hinges and slide rails) to maintain flexibility.

(9) **Products with wheels:** Regularly remove entangled hairs and fibers.

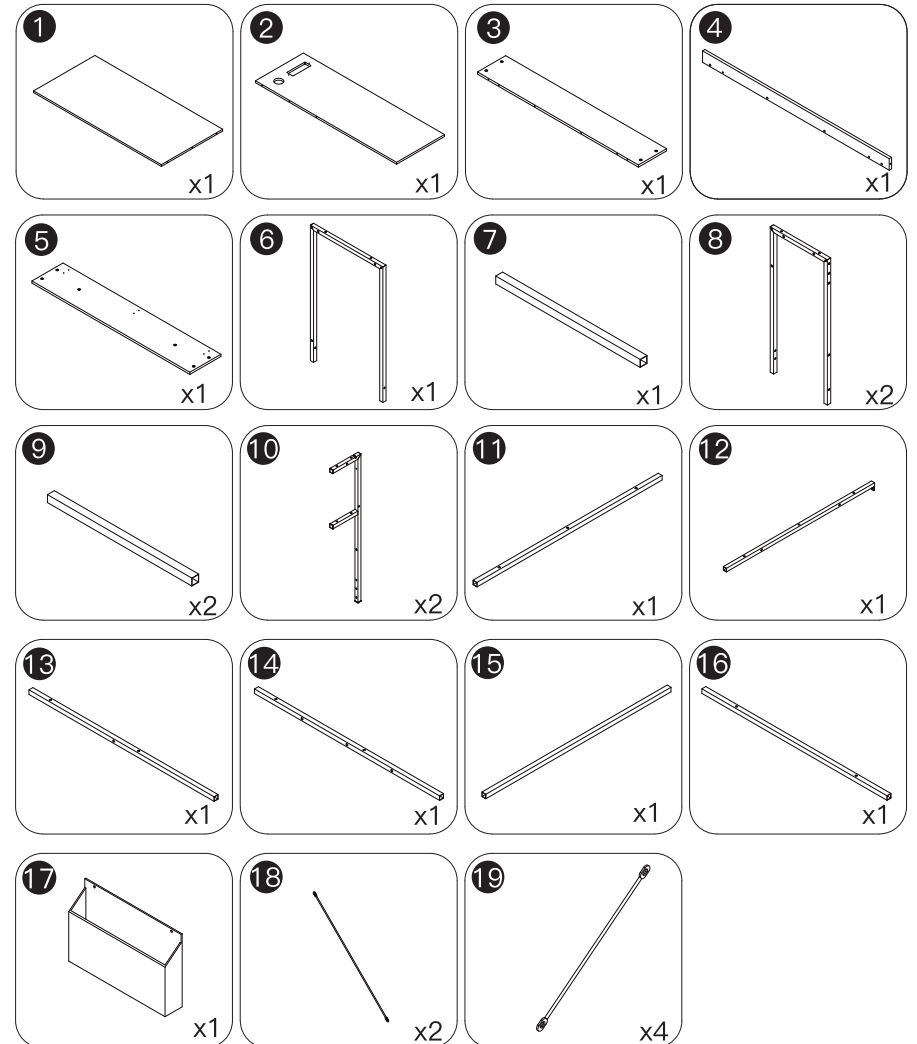
EXPLODED DRAWING:



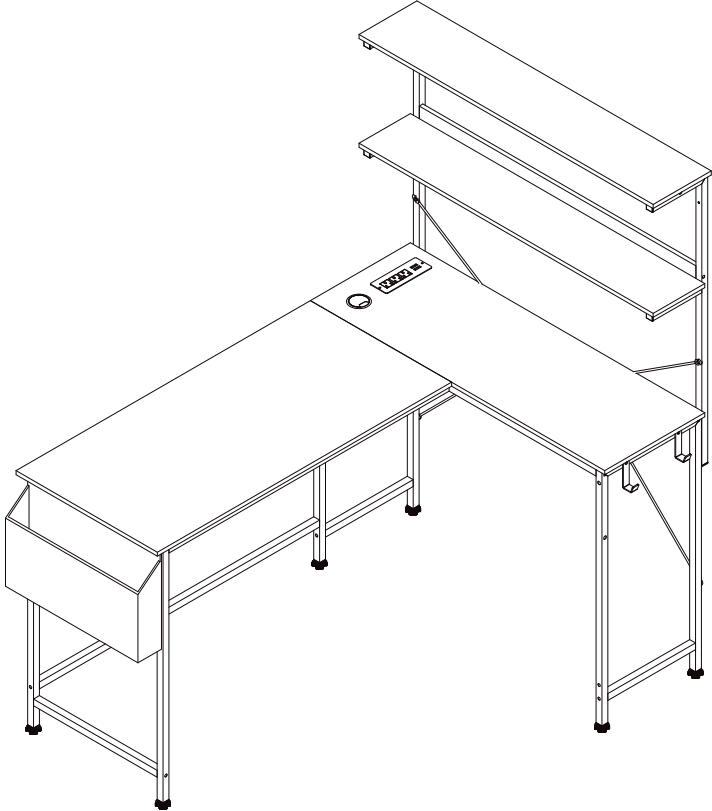
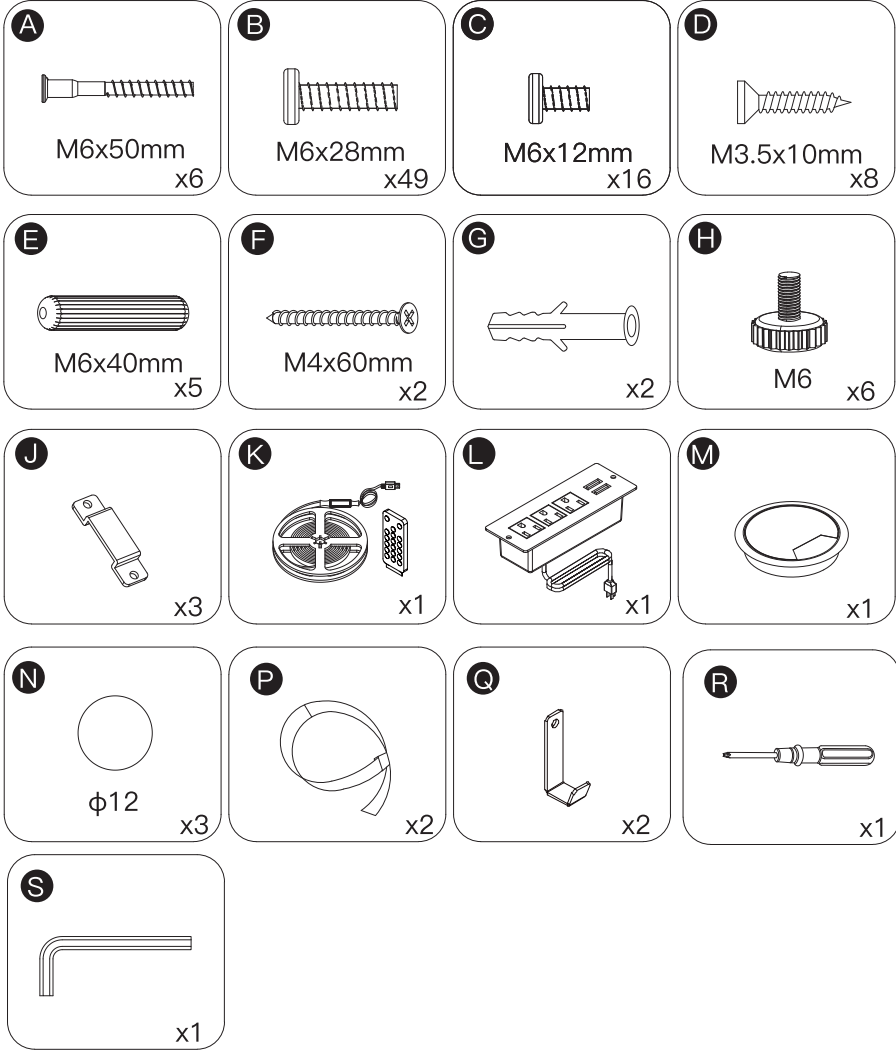
Please check all parts and accessories according to the parts list before assembling, make sure all contents are sufficient and in good condition.

If there is any parts missing or defective, please contact us immediately with purchase platform message to get replacement parts.

PARTS:

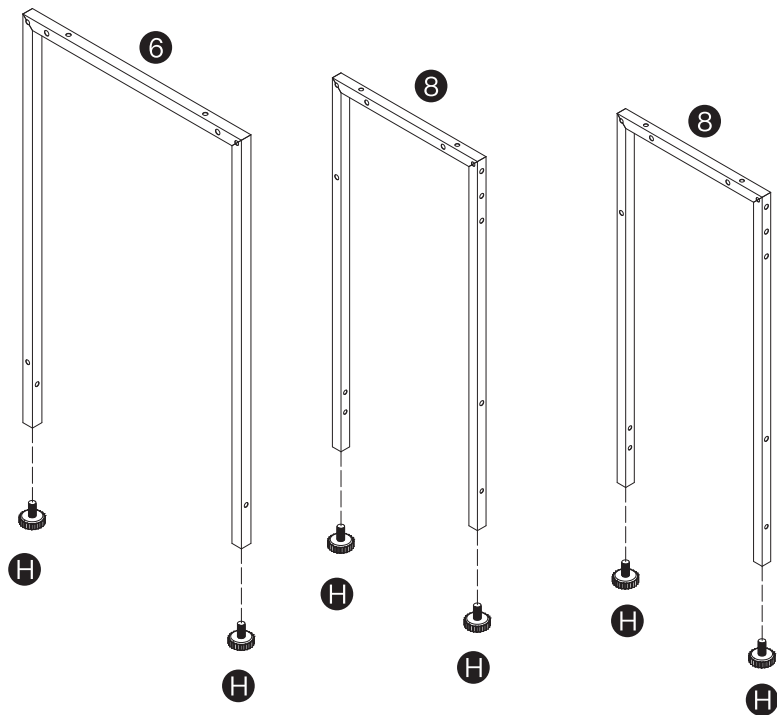
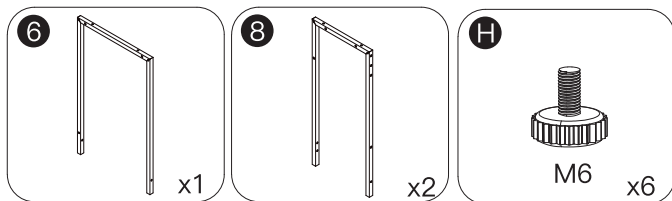


TYPE-A INSTALLATION

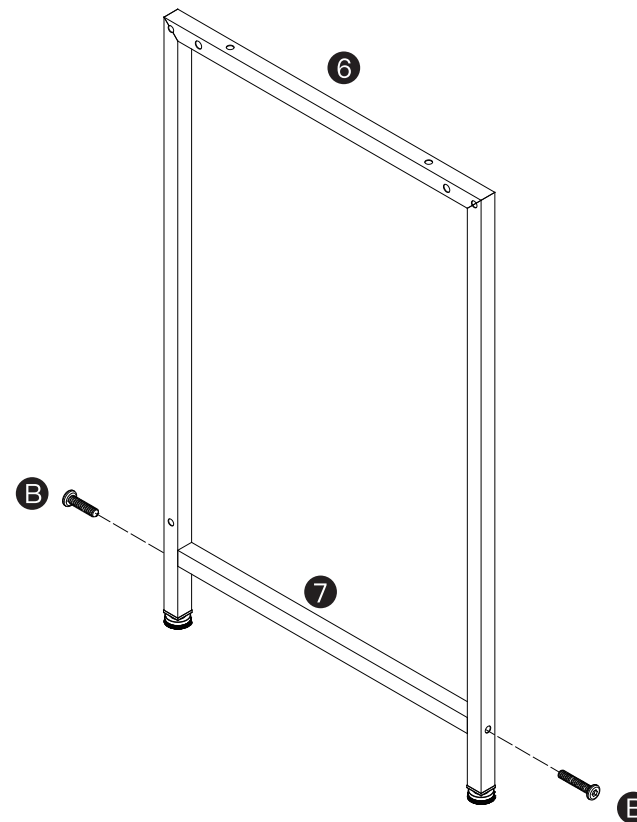
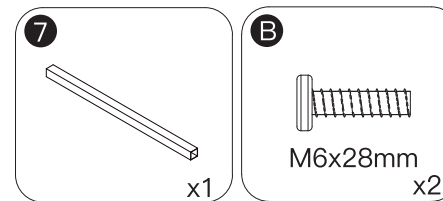


HOW TO INSTALL

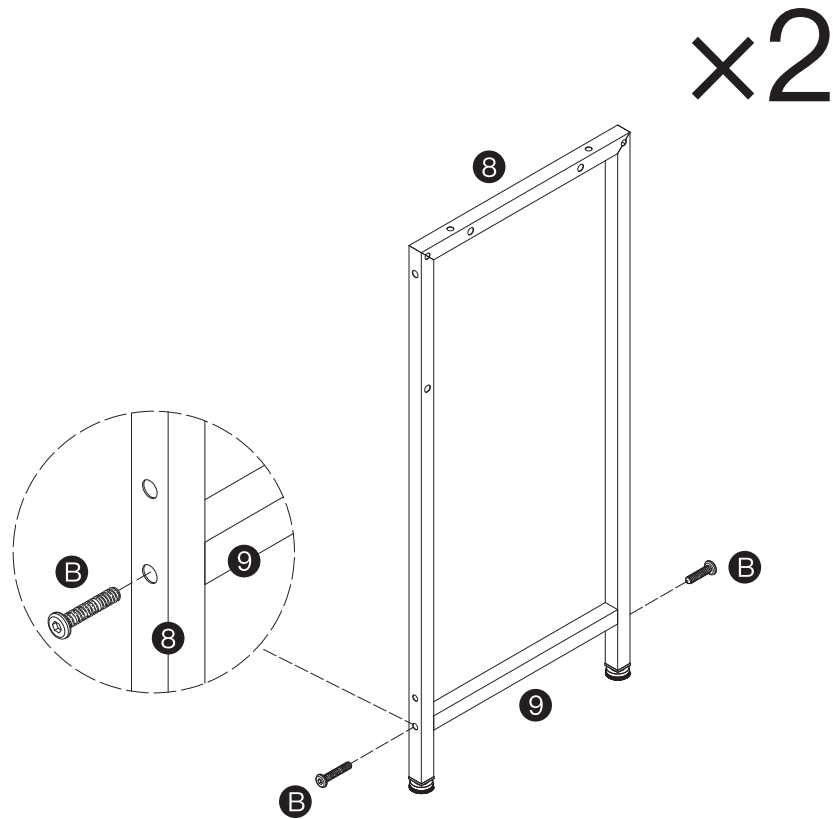
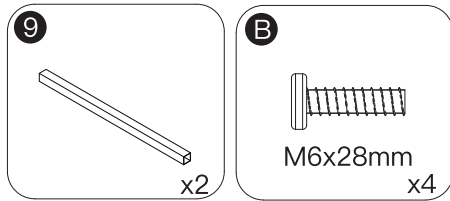
STEP 1



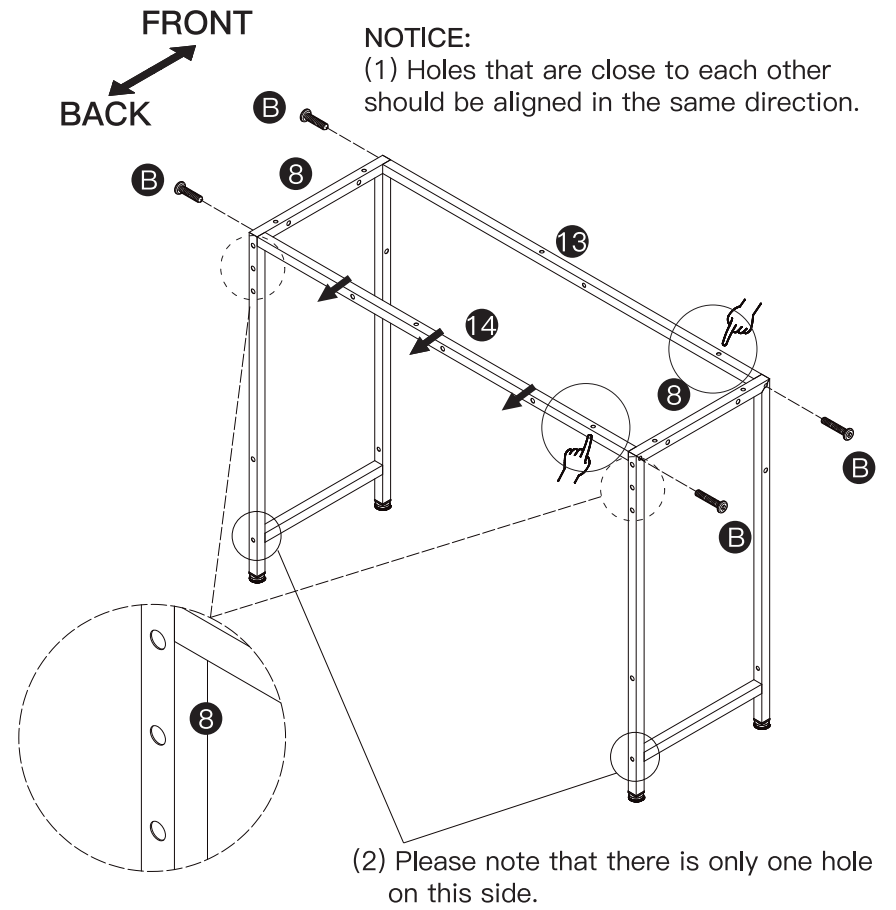
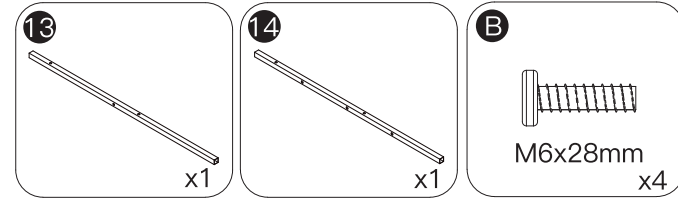
STEP 2



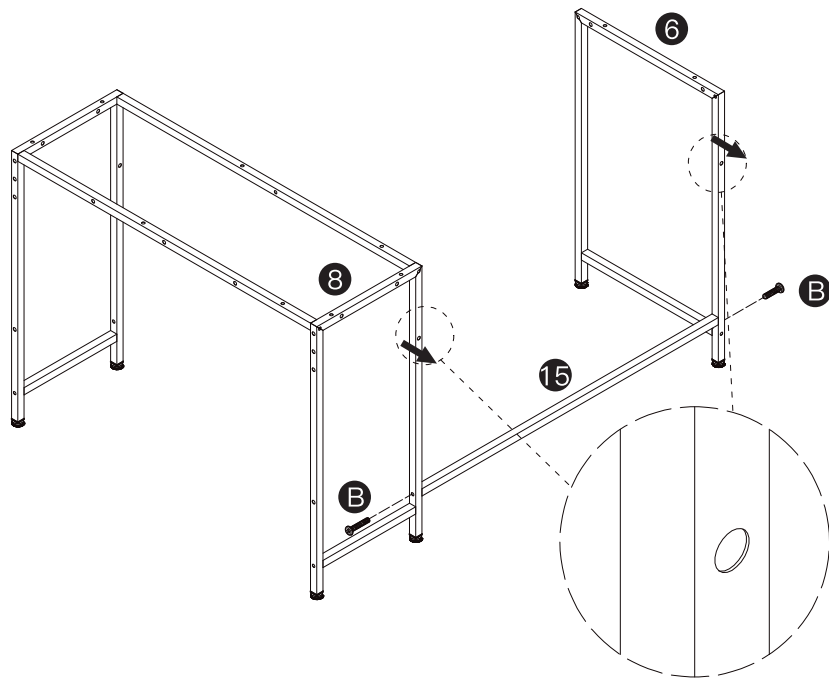
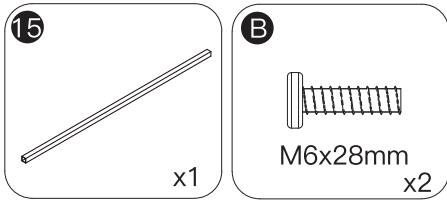
STEP 3



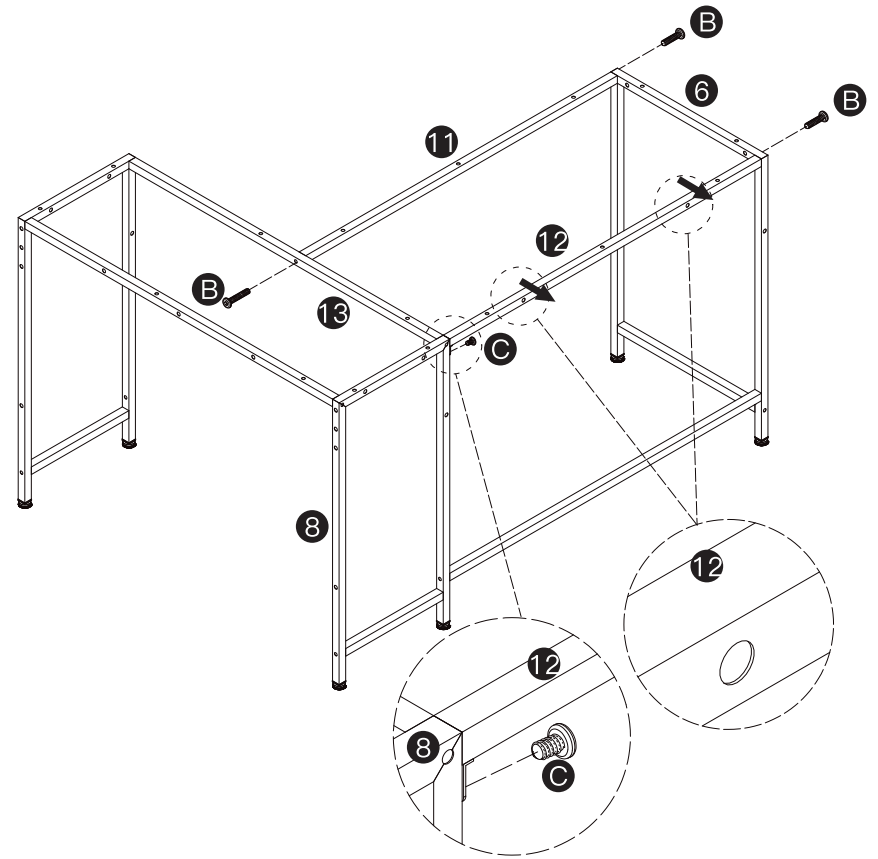
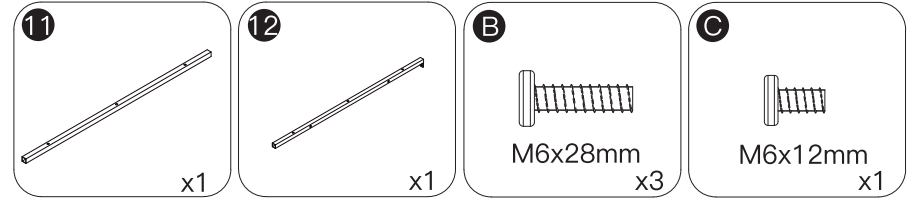
STEP 4



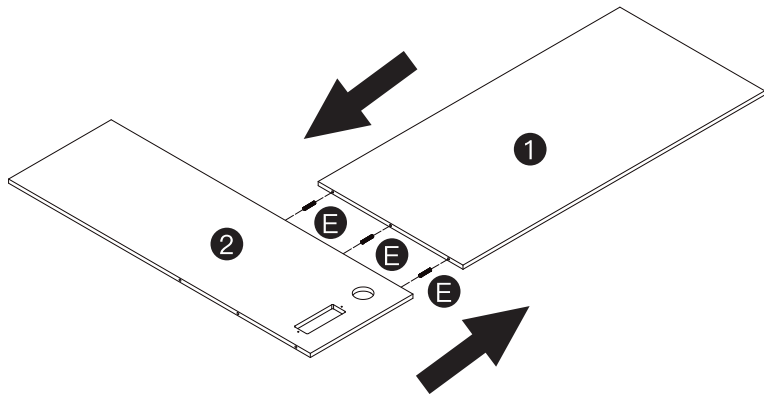
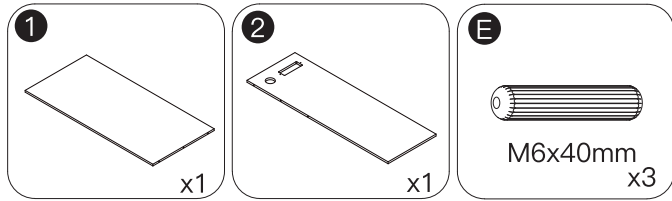
STEP 5



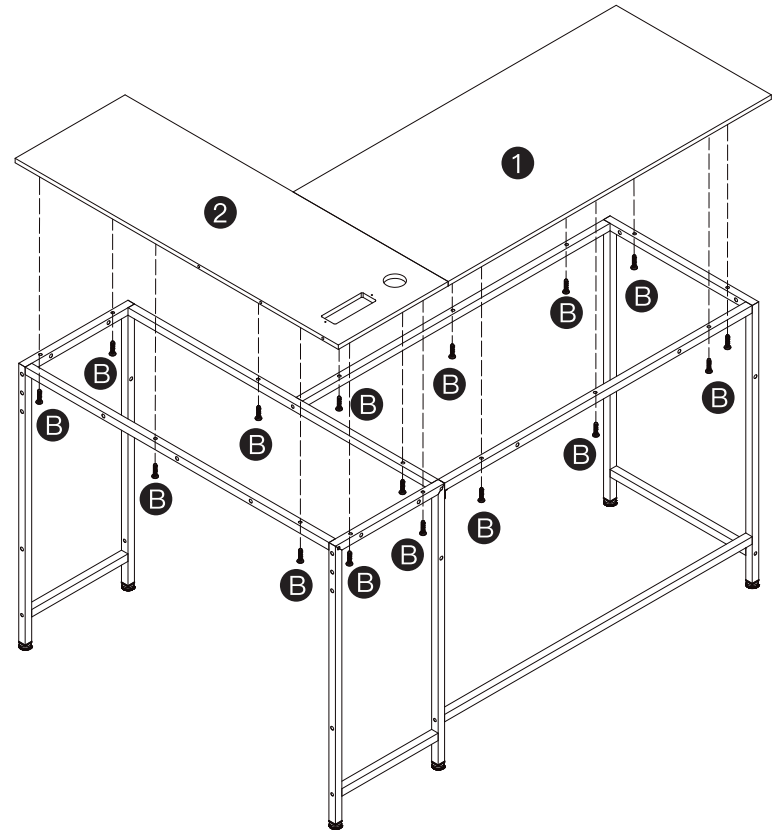
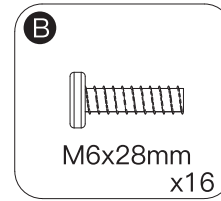
STEP 6



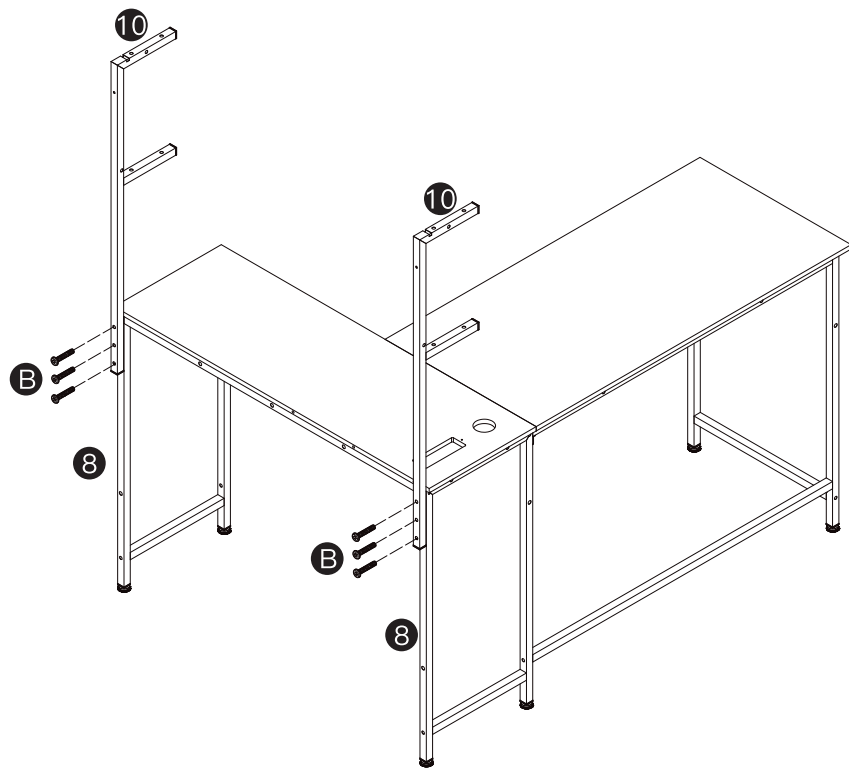
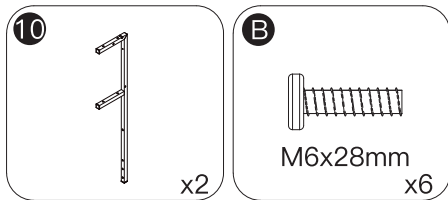
STEP 7



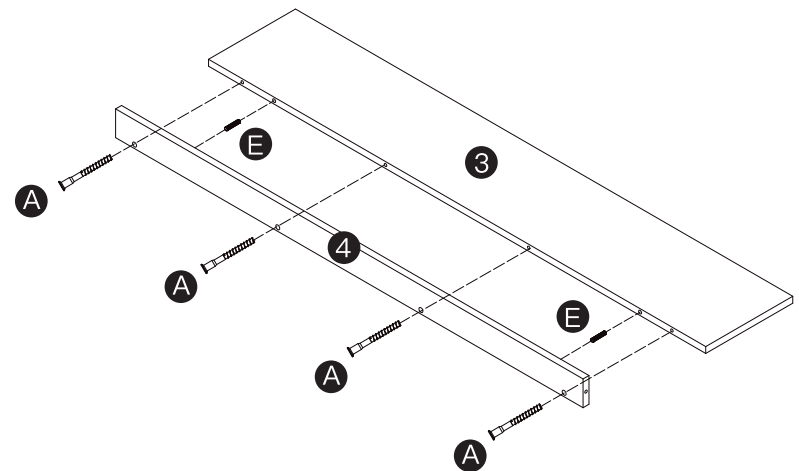
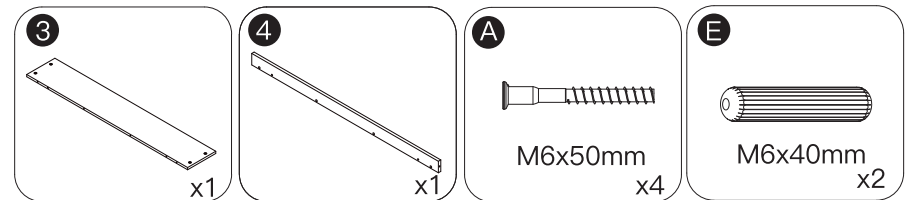
STEP 8



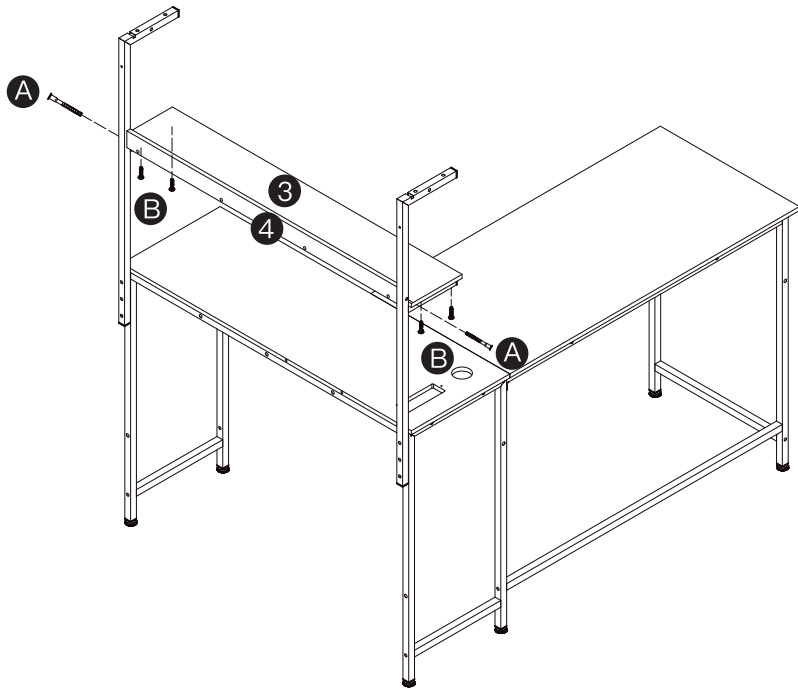
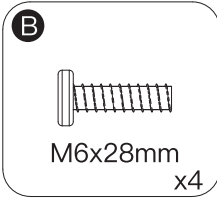
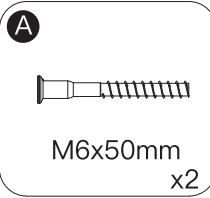
STEP 9



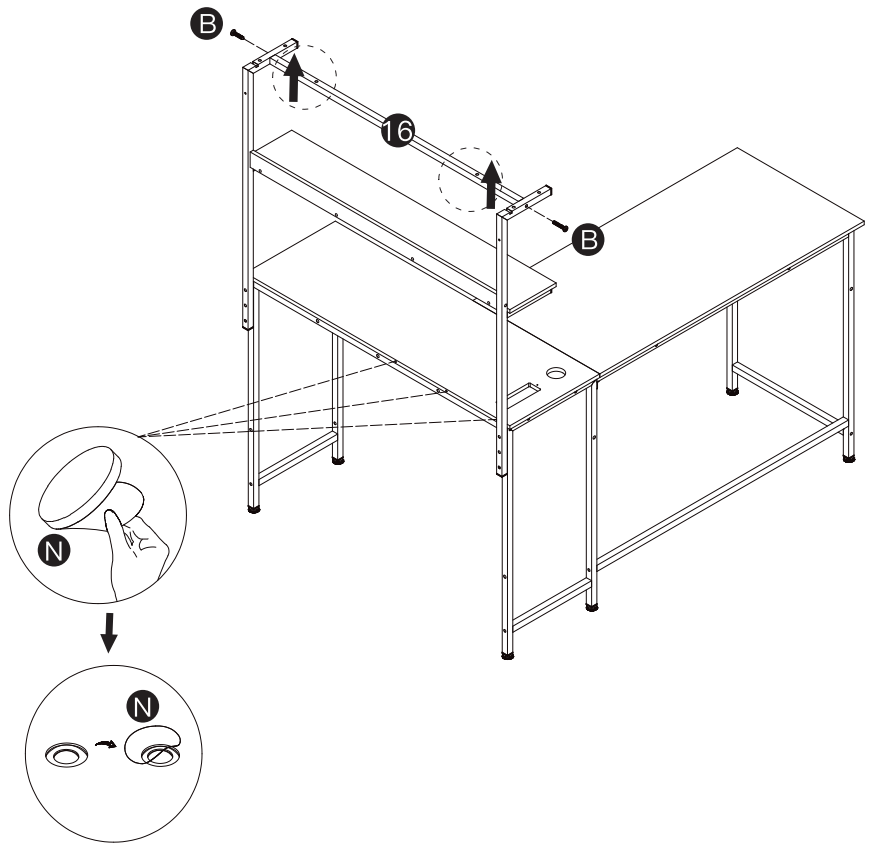
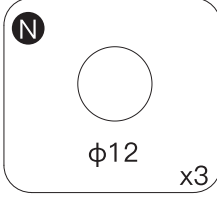
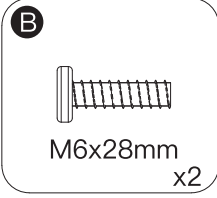
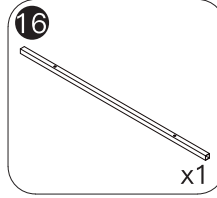
STEP 10



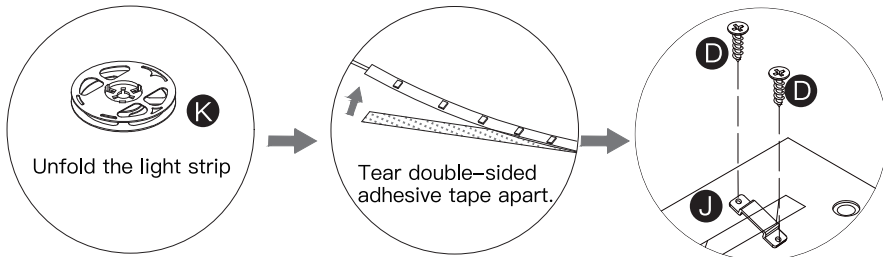
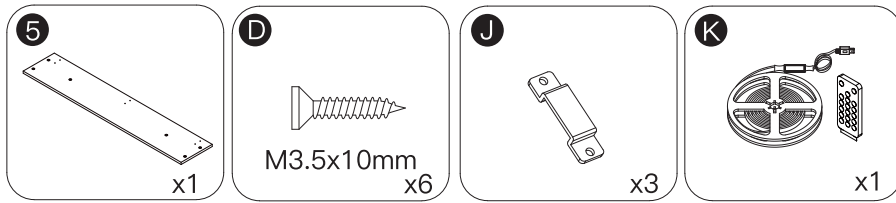
STEP 11



STEP 12

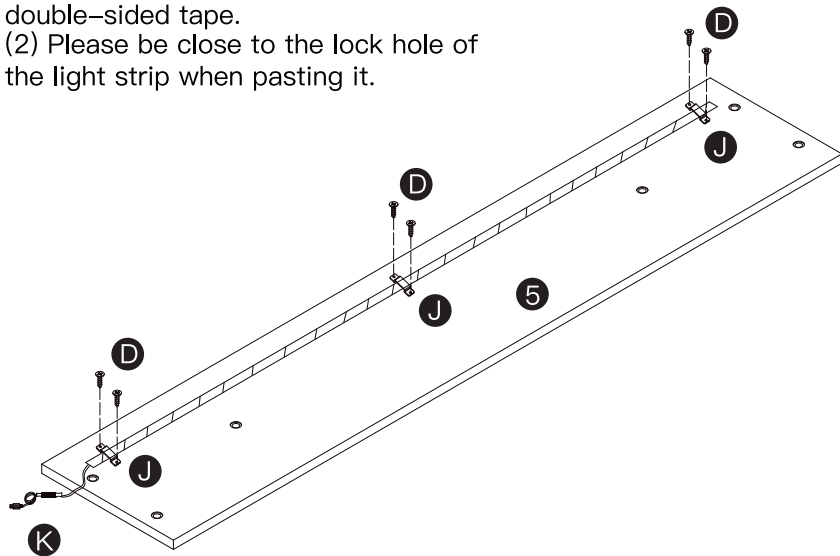


STEP 13

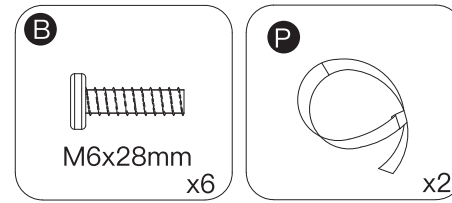


NOTICE:

- (1) Please be careful not to tear off the adhesive surface, when removing the double-sided tape.
- (2) Please be close to the lock hole of the light strip when pasting it.

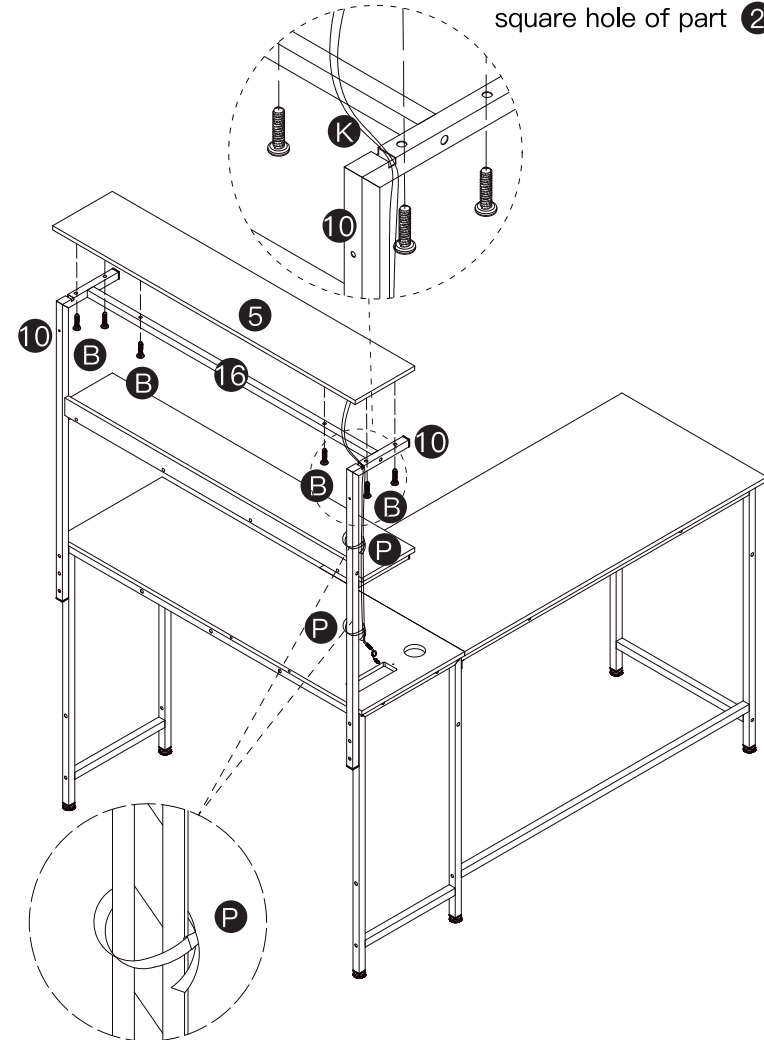


STEP 14

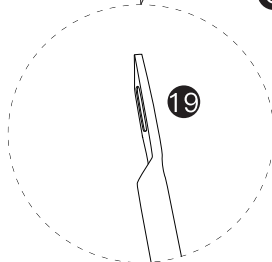
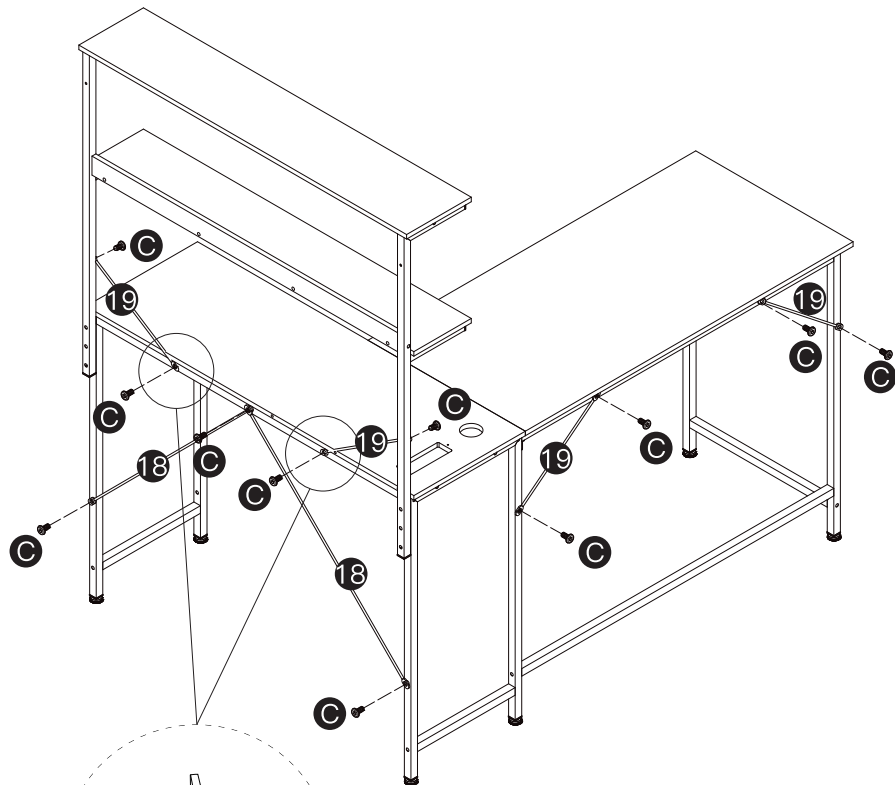
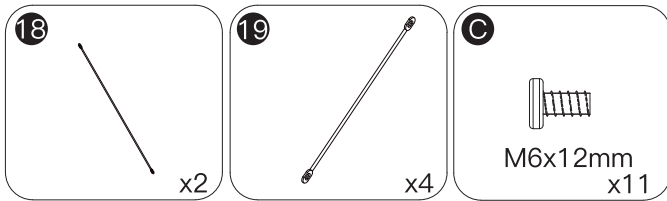


NOTICE:

1. Please note that the light strip should be snapped into the groove of Part 10.
2. The tail of the light strip should be installed near the square hole of part 2.

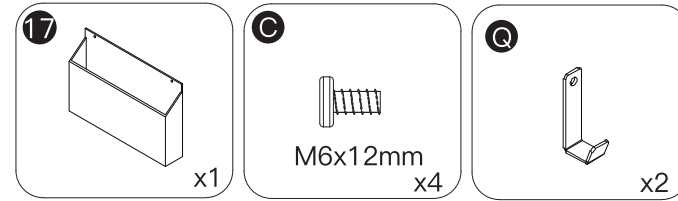


STEP 15

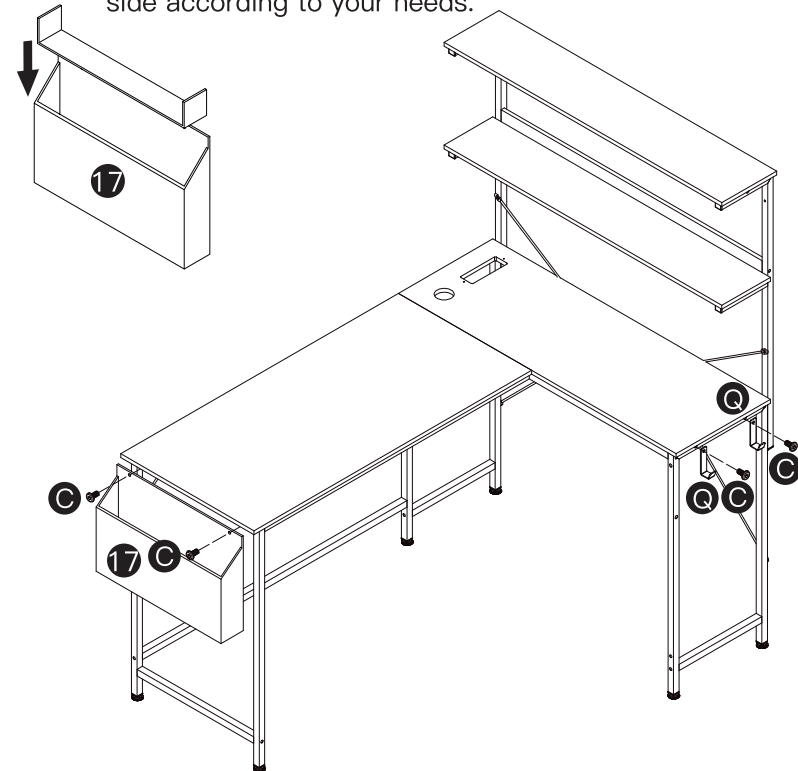


NOTICE:
Please note that the concave surfaces of Part 19 at these two positions face outward.

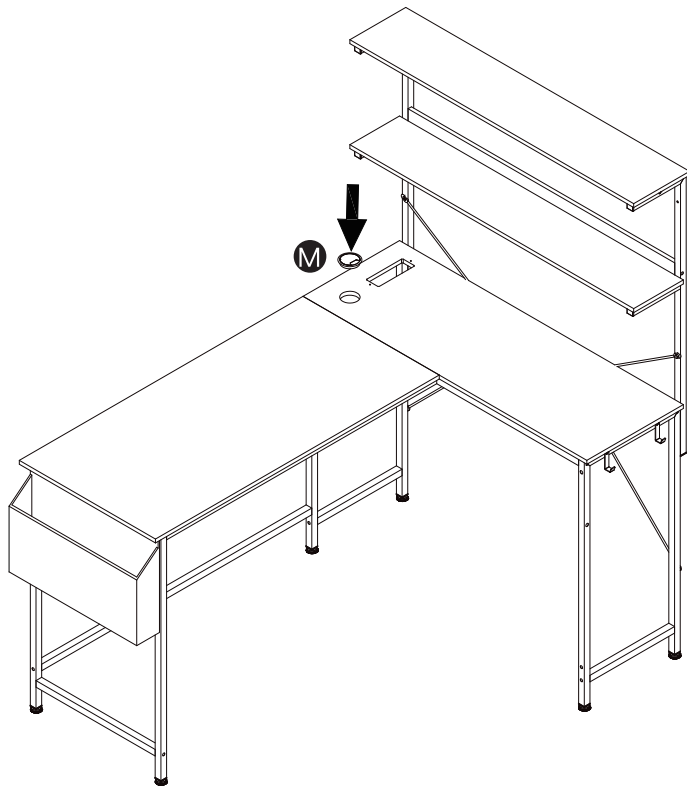
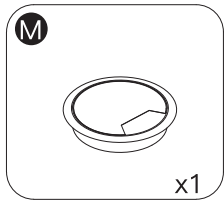
STEP 16



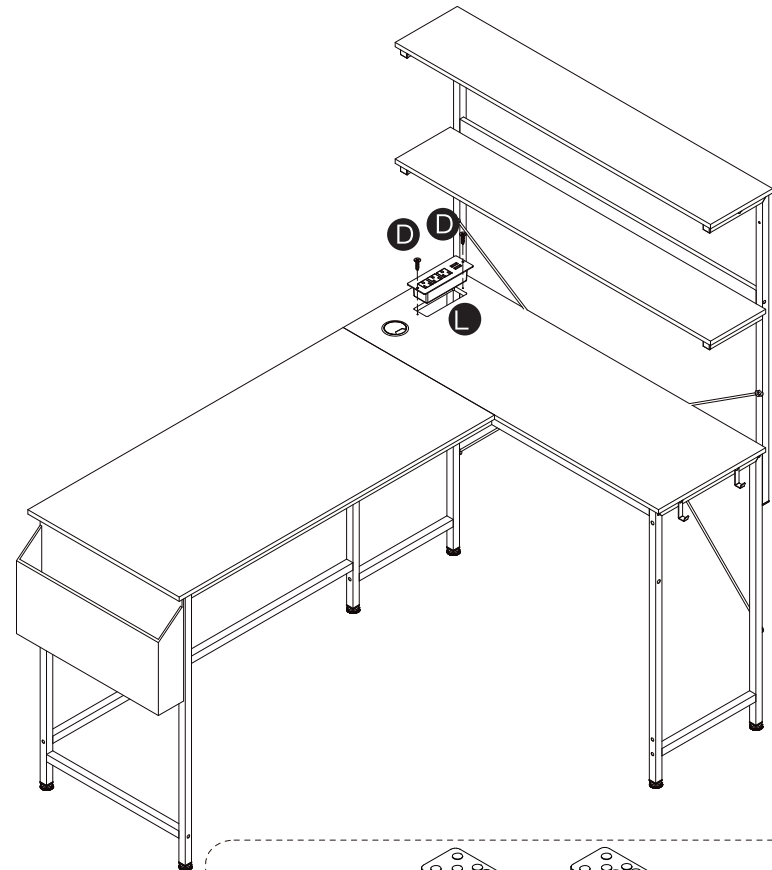
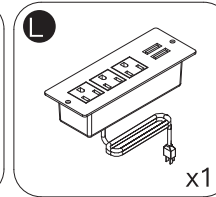
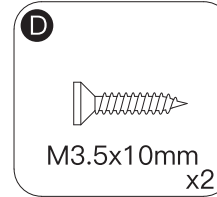
NOTICE:
Part 17 and Part C can be installed interchangeably on the left or right side according to your needs.



STEP 17

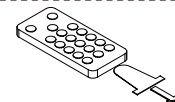
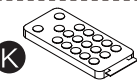


STEP 18



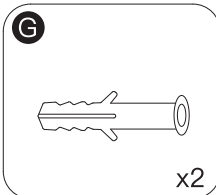
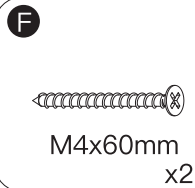
NOTICE:

K



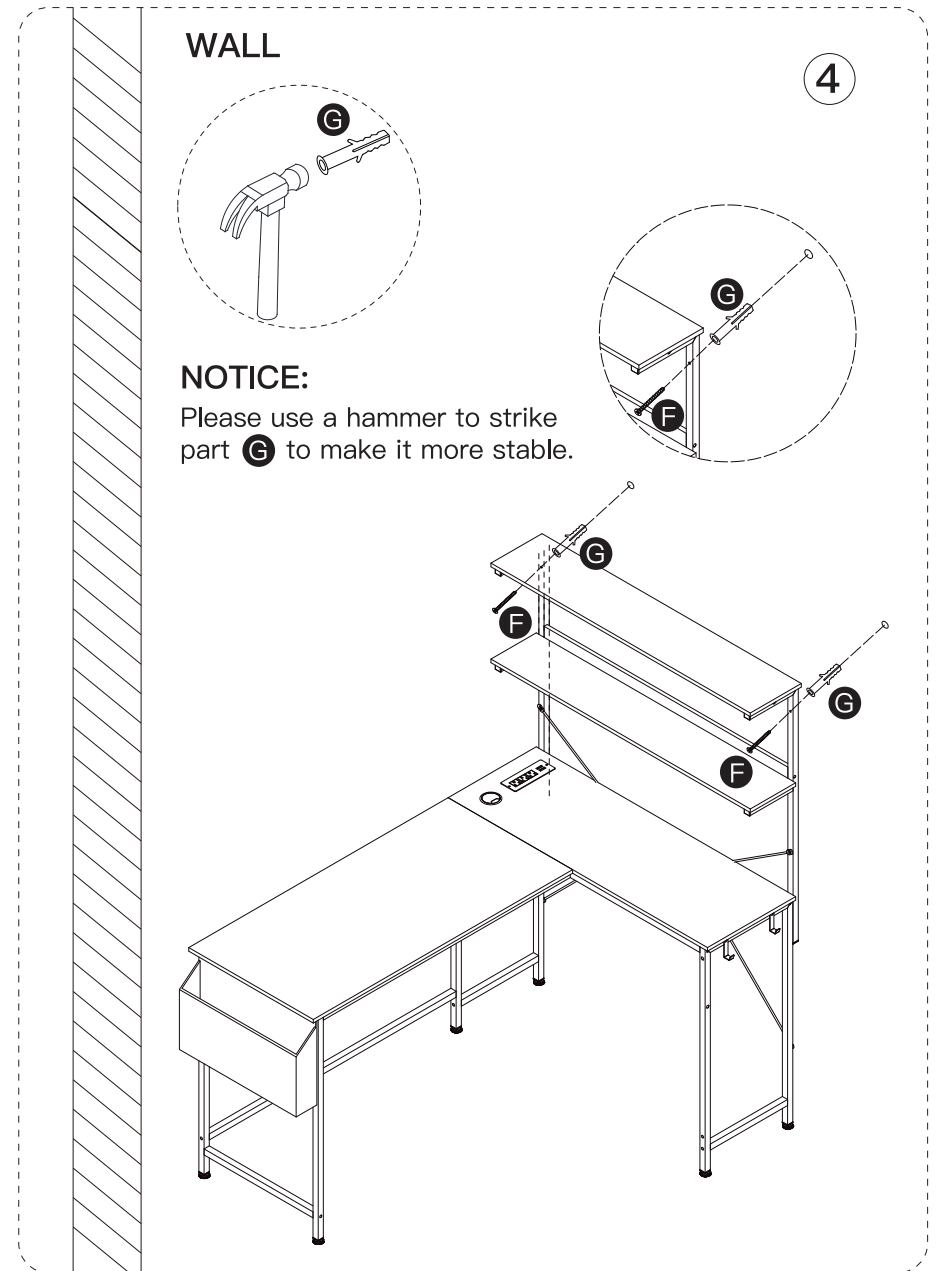
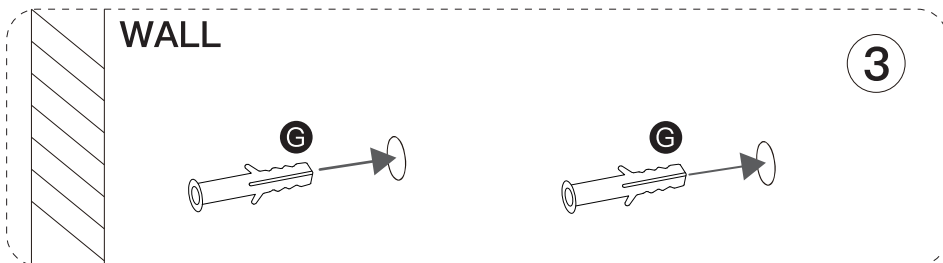
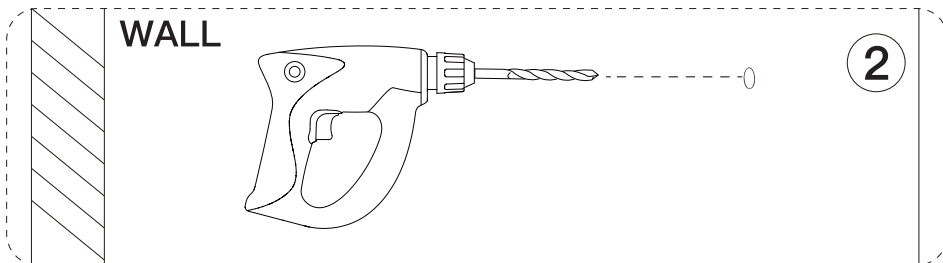
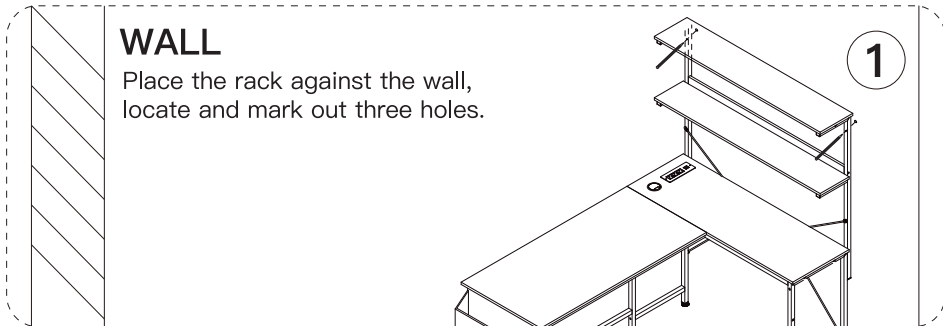
When you use the remote control board to control the color of the light, Please remove the clear plastic card.

STEP 19

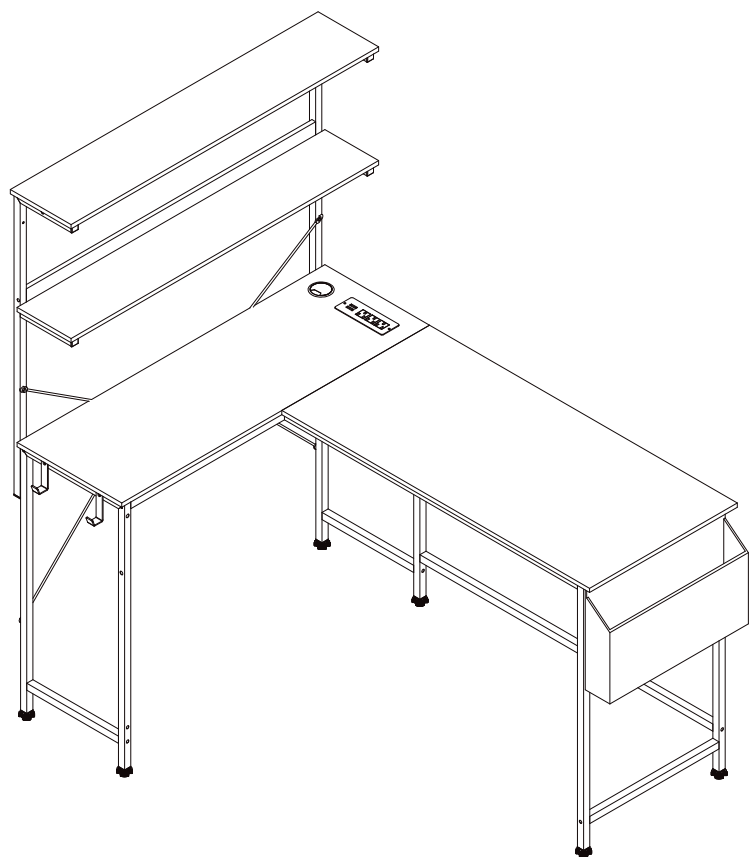


NOTICE
For the safety of you and your family, the **Anti-Tip Device Kit** must be installed.

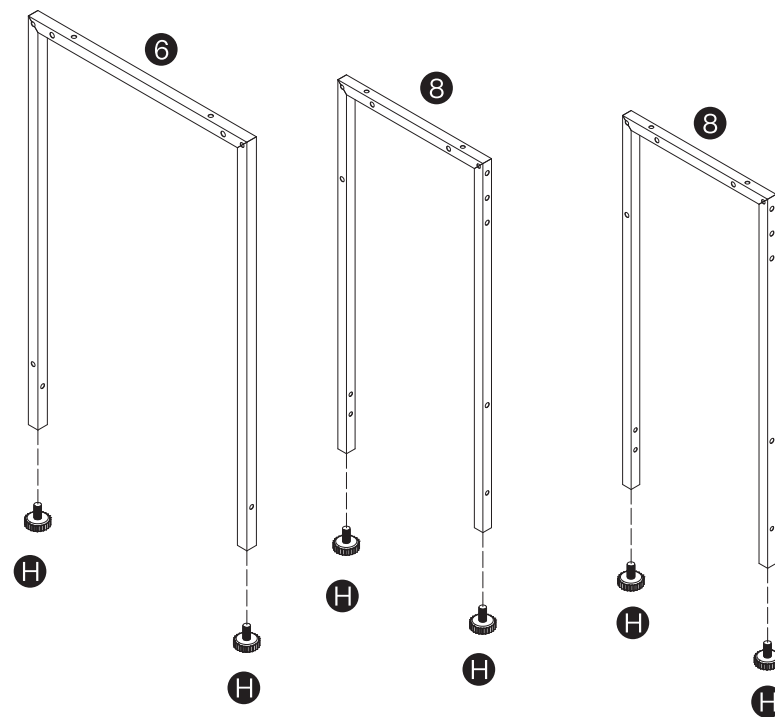
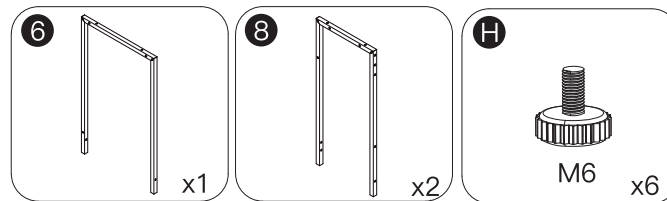
NOTICE:
Electric drill and hammer are not included in our parts, please prepare them by yourself.



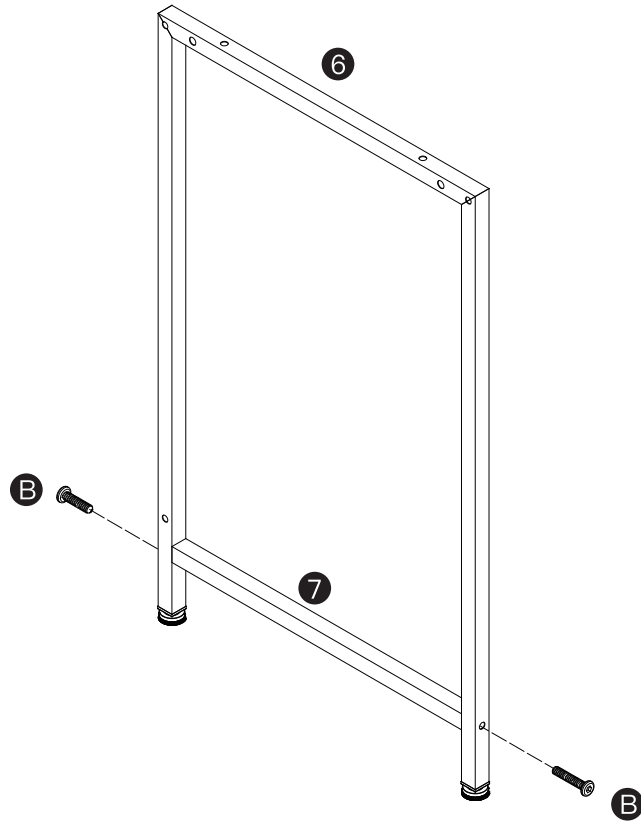
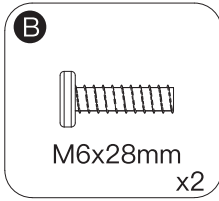
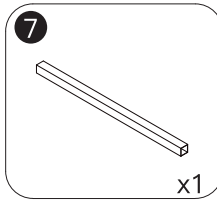
TYPE-B INSTALLATION



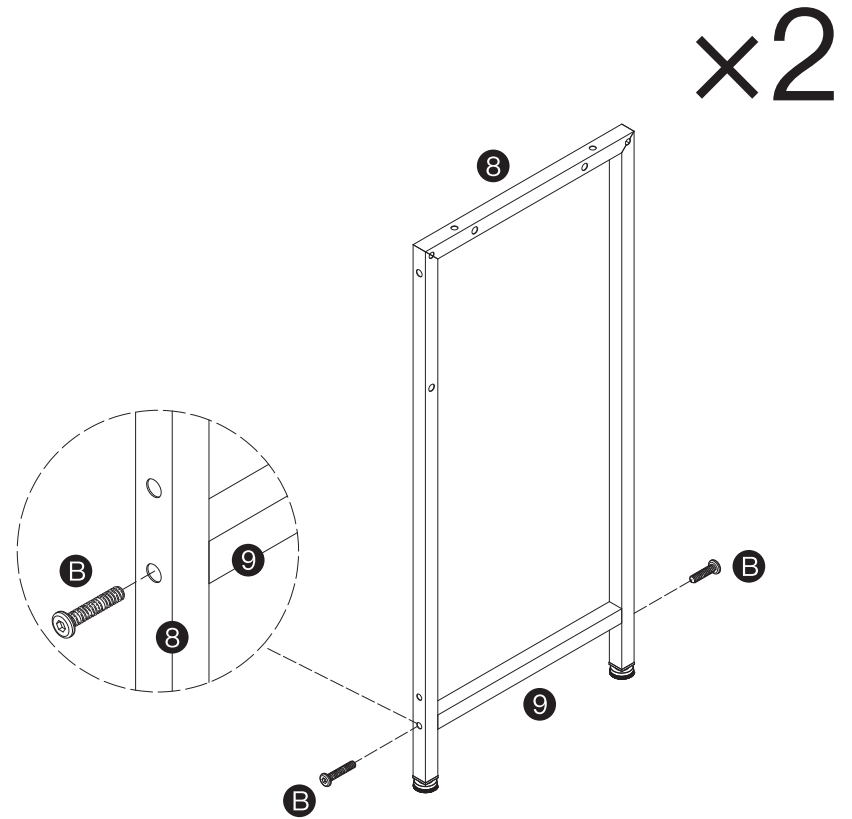
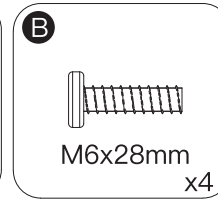
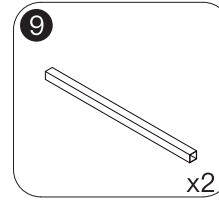
STEP 1



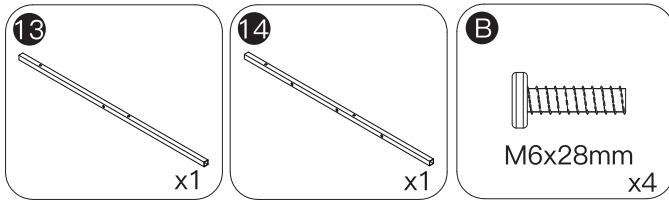
STEP 2



STEP 3

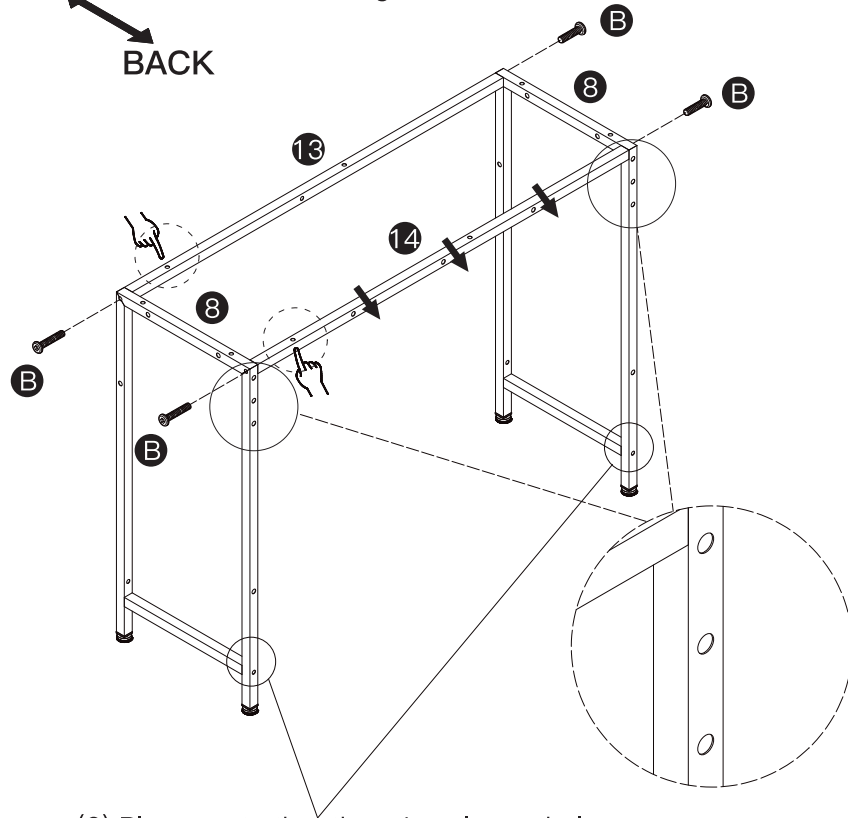


STEP 4



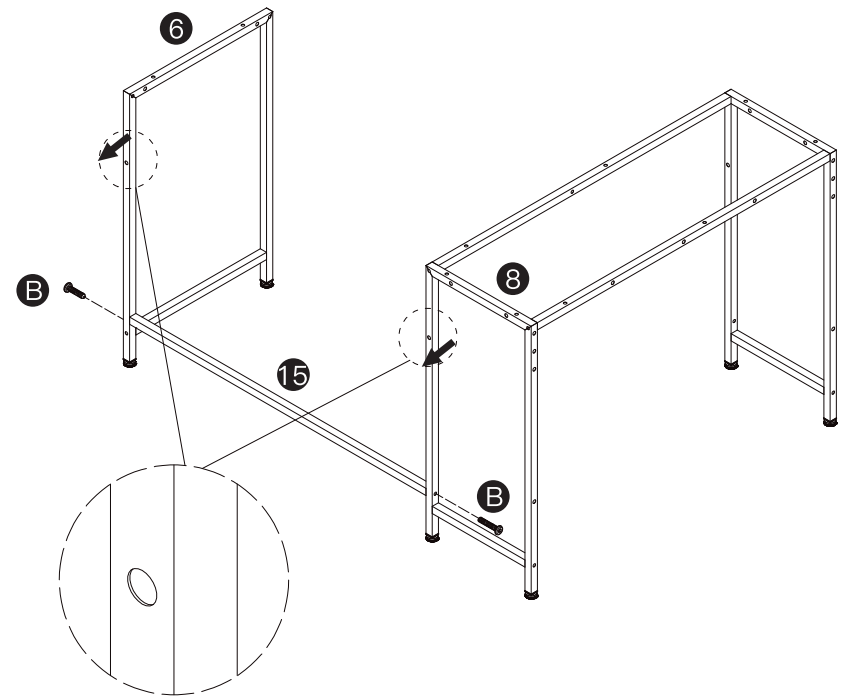
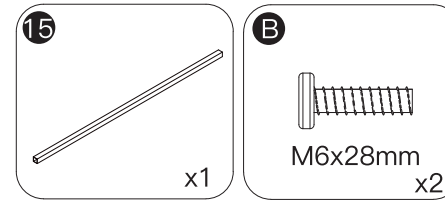
NOTICE:
Holes that are close to each other should be aligned in the same direction.

FRONT
BACK

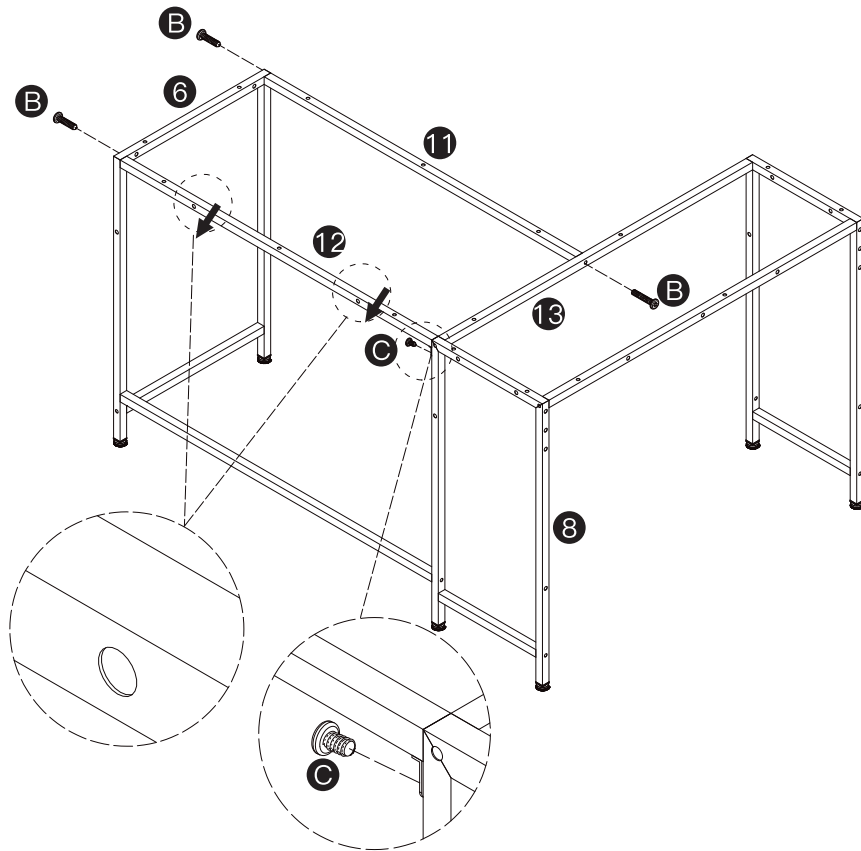
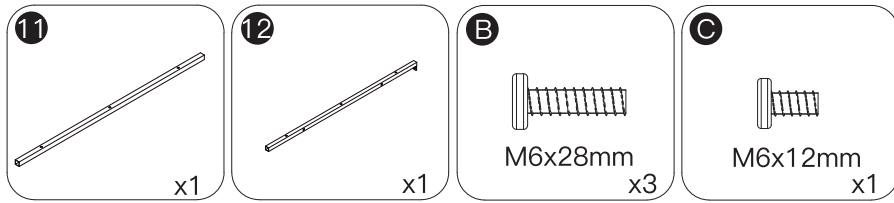


(2) Please note that there is only one hole on this side.

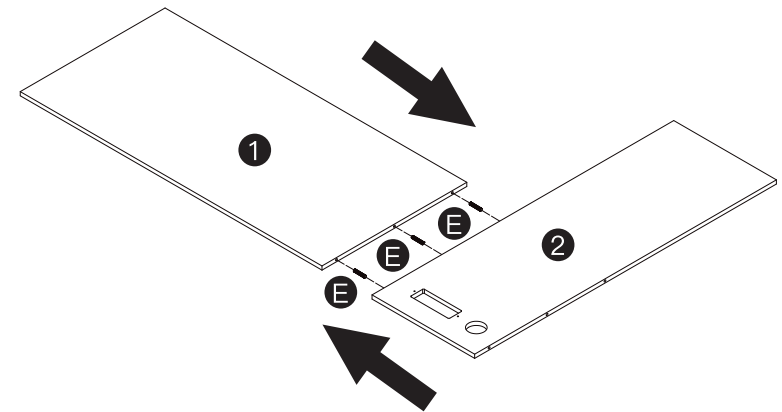
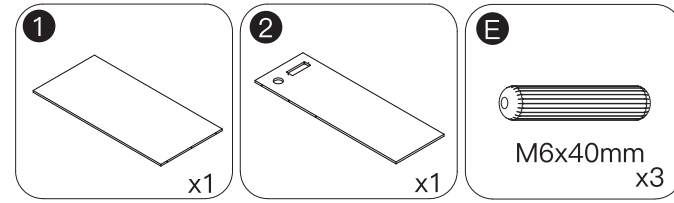
STEP 5



STEP 6

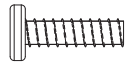


STEP 7

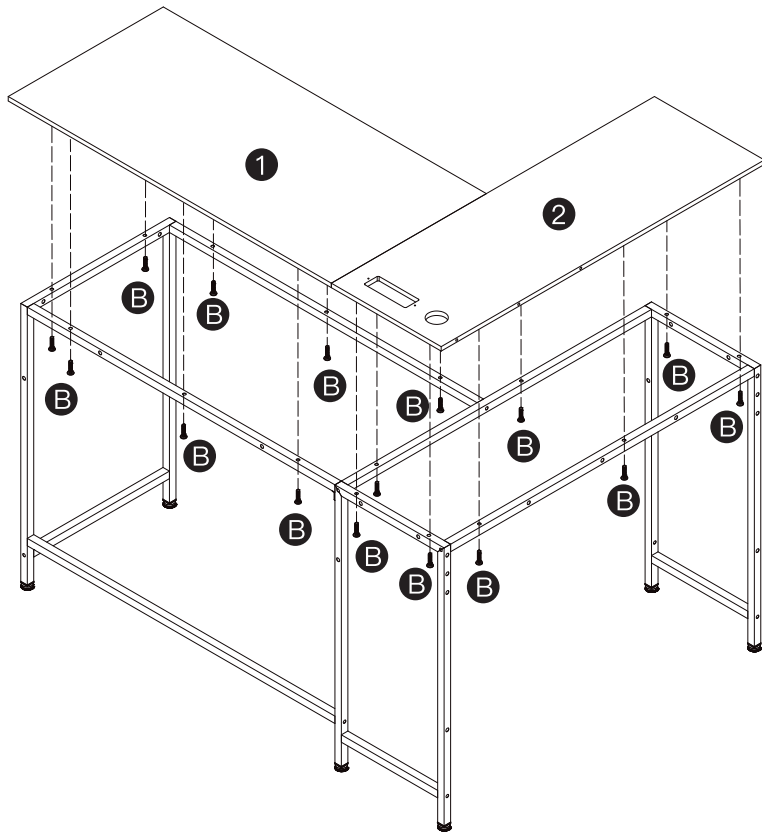


STEP 8

B



M6x28mm
x16



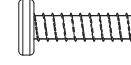
STEP 9

10

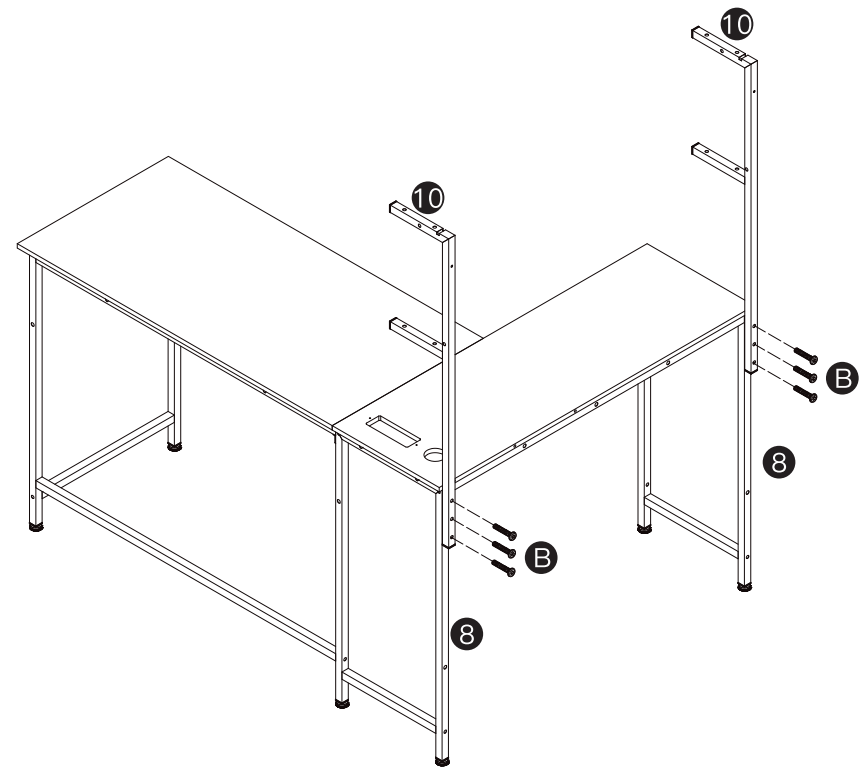


x2

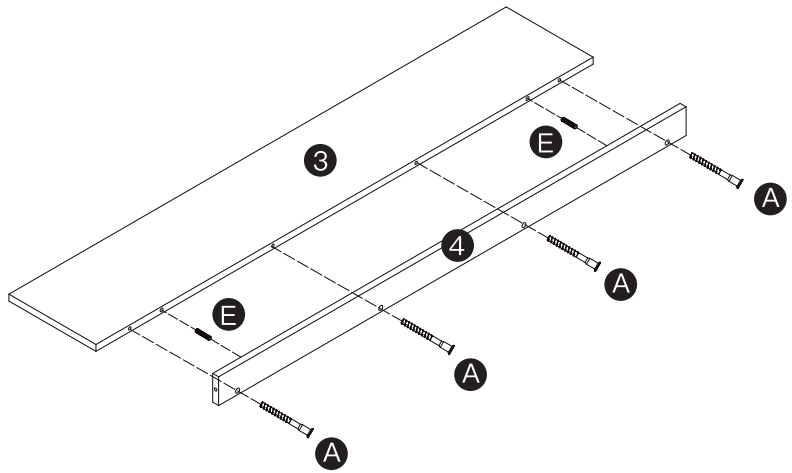
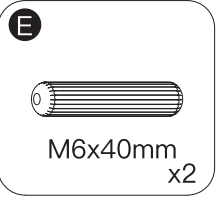
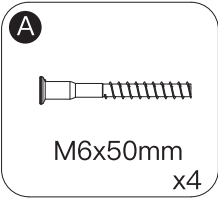
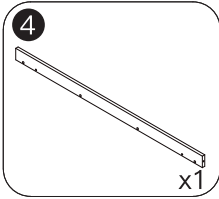
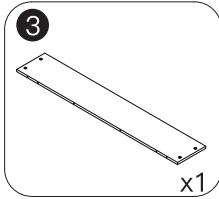
B



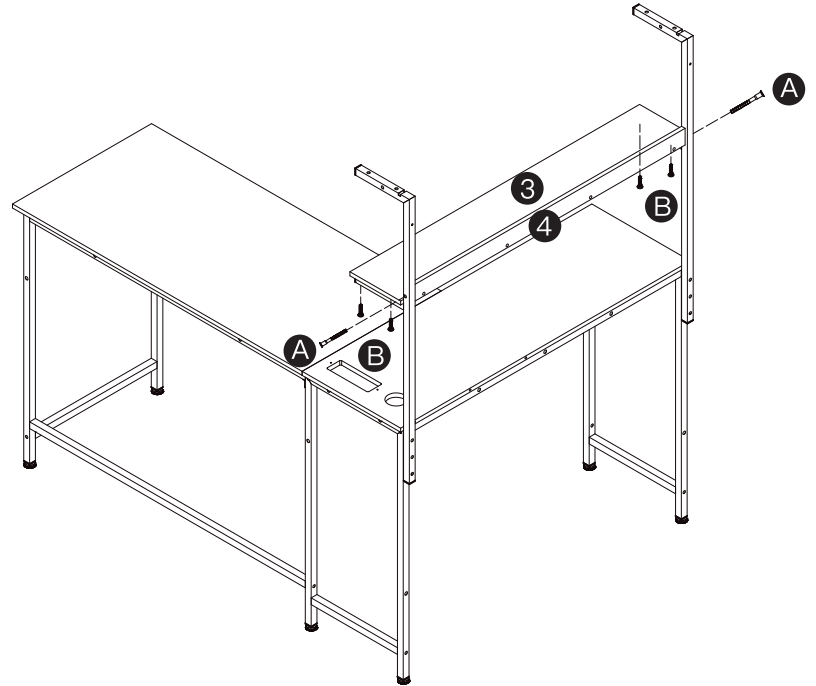
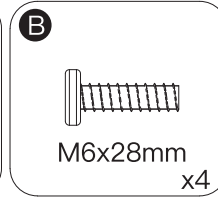
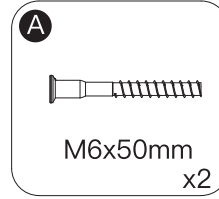
M6x28mm
x6



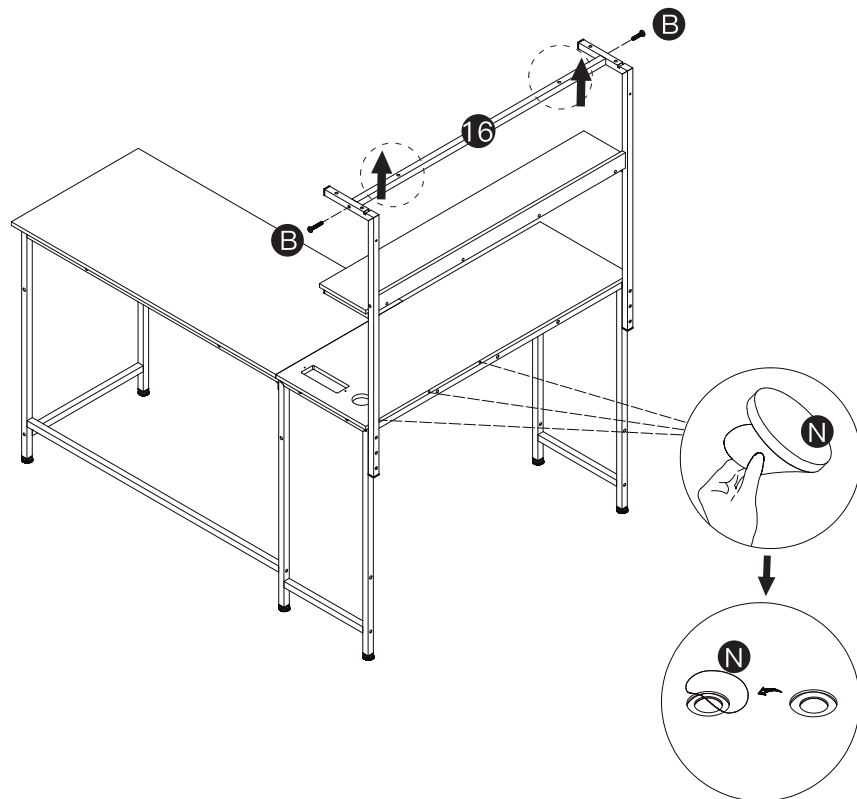
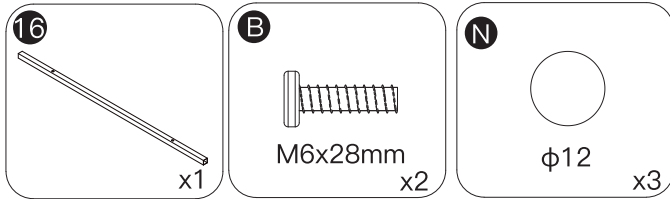
STEP 10



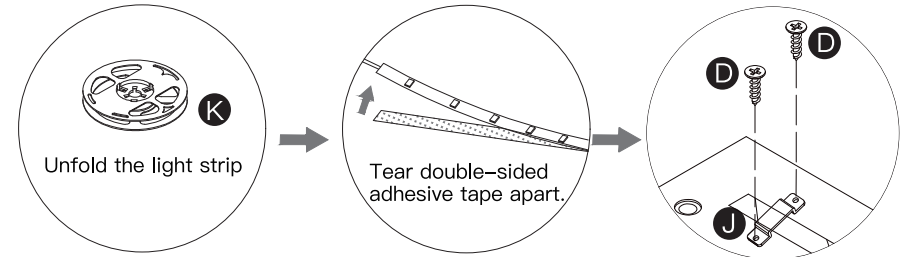
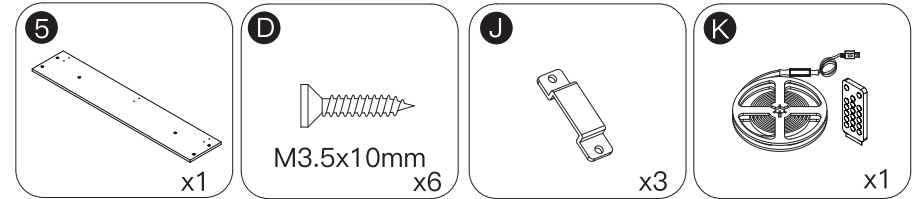
STEP 11



STEP 12

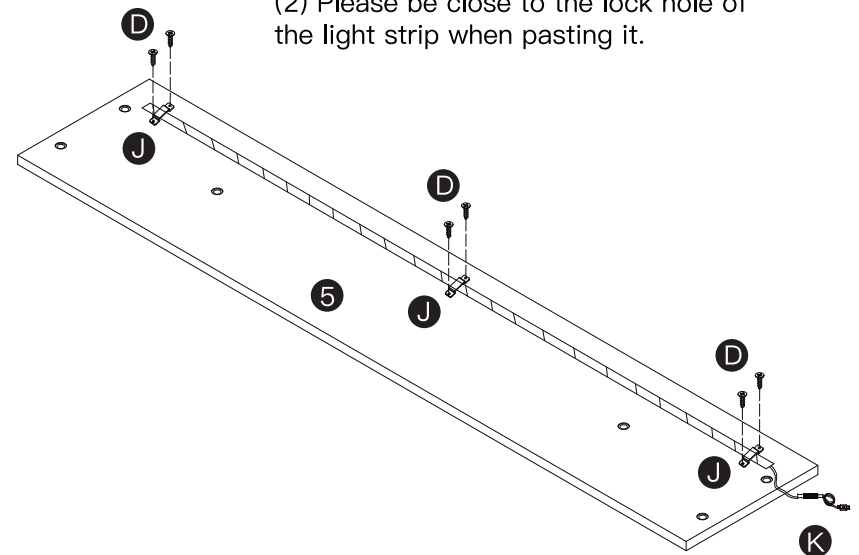


STEP 13

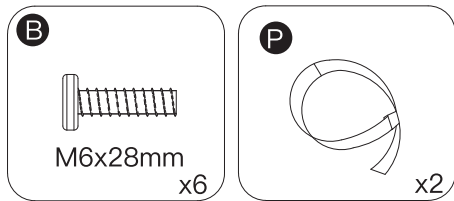


NOTICE:

- (1) Please be careful not to tear off the adhesive surface, when removing the double-sided tape.
- (2) Please be close to the lock hole of the light strip when pasting it.

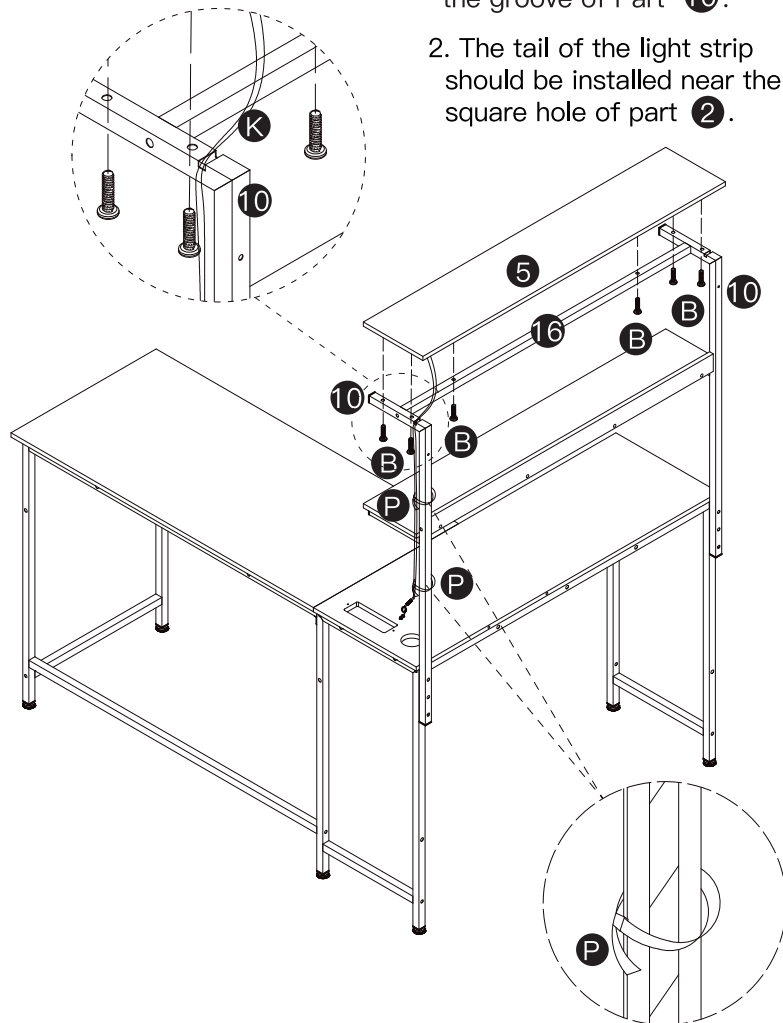


STEP 14

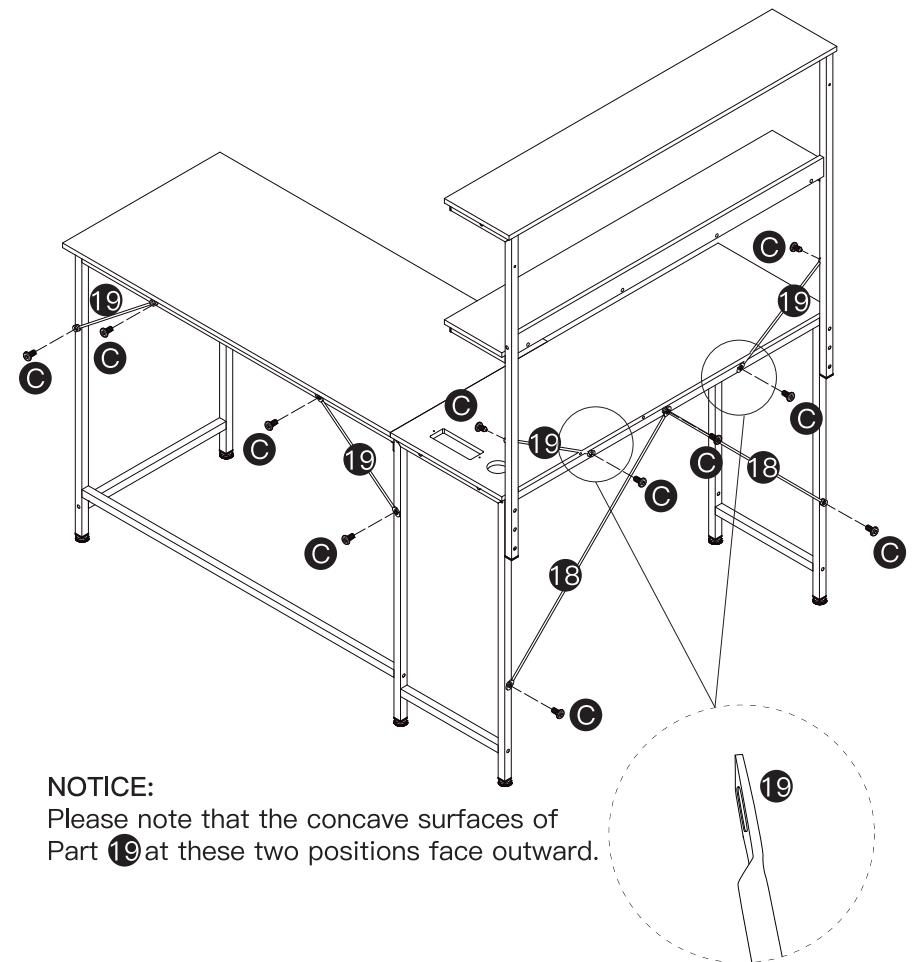
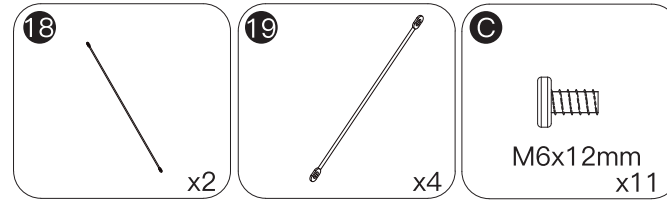


NOTICE:

1. Please note that the light strip should be snapped into the groove of Part 10.
2. The tail of the light strip should be installed near the square hole of part 2.



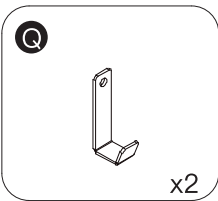
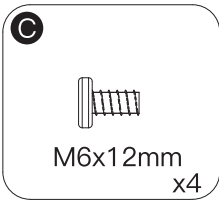
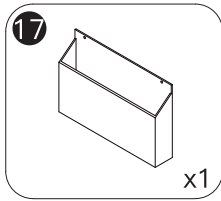
STEP 15



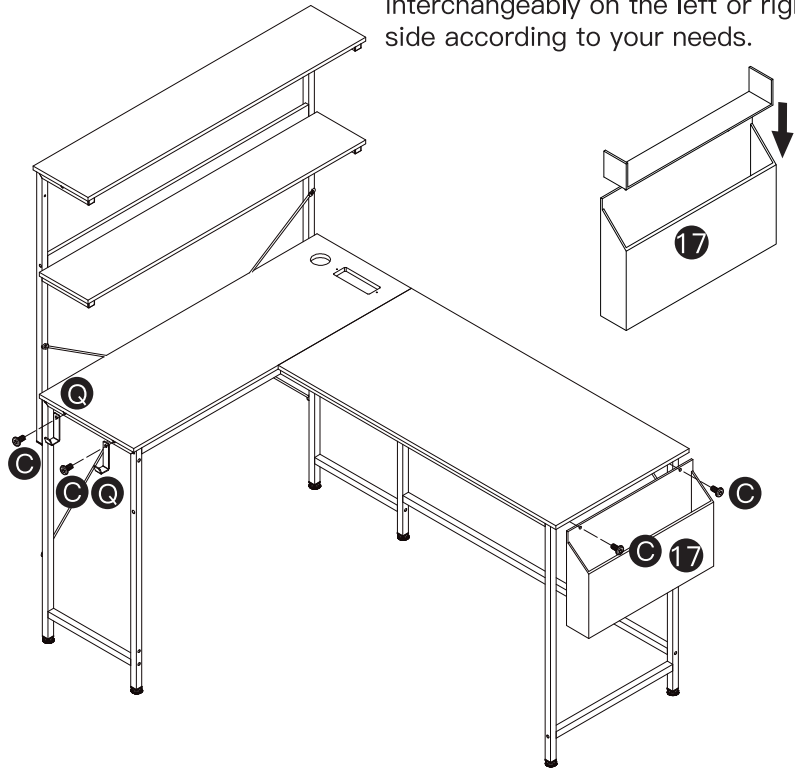
NOTICE:

Please note that the concave surfaces of Part 19 at these two positions face outward.

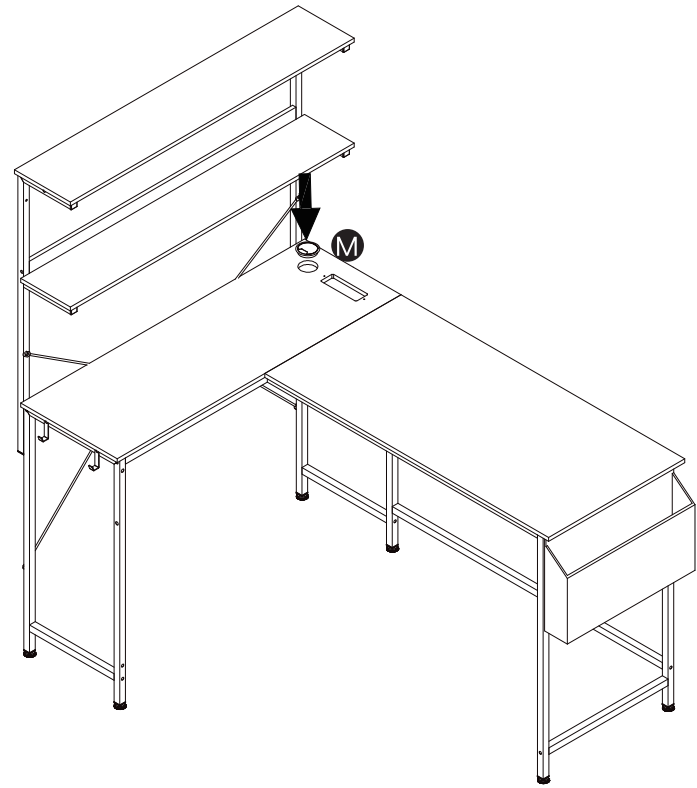
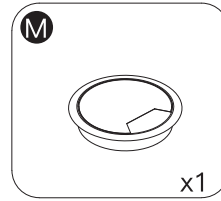
STEP 16



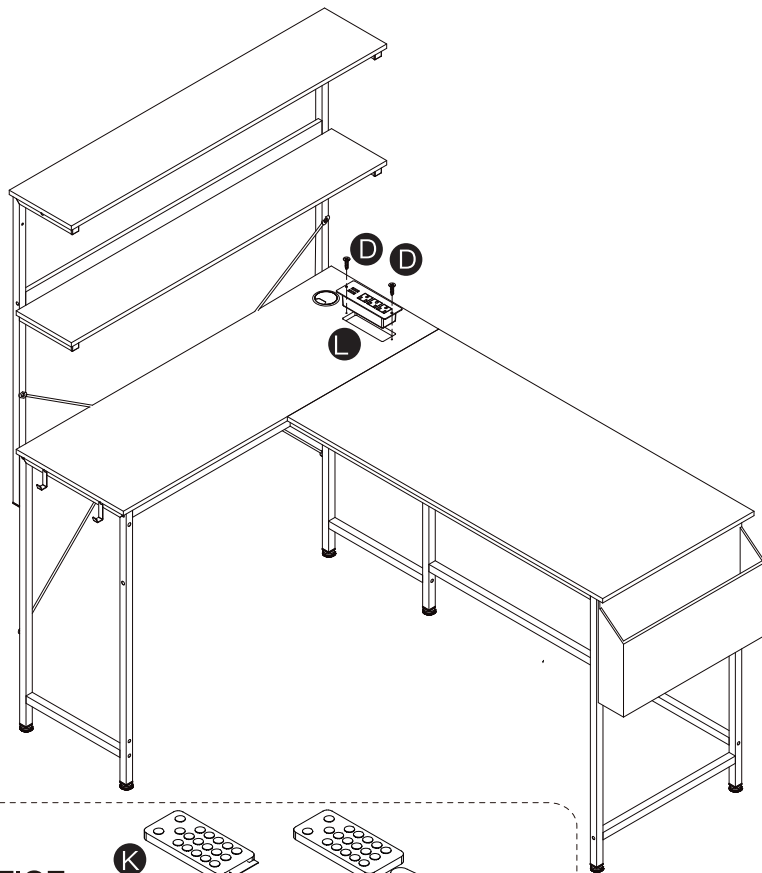
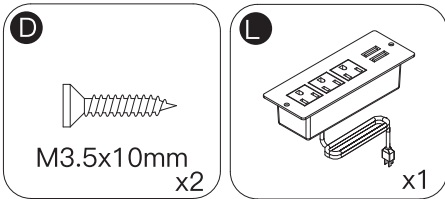
NOTICE:
Part 17 and Part Q can be installed interchangeably on the left or right side according to your needs.



STEP 17



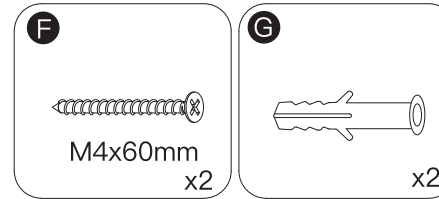
STEP 18



NOTICE:

K
When you use the remote control board to control the color of the light, Please remove the clear plastic card.

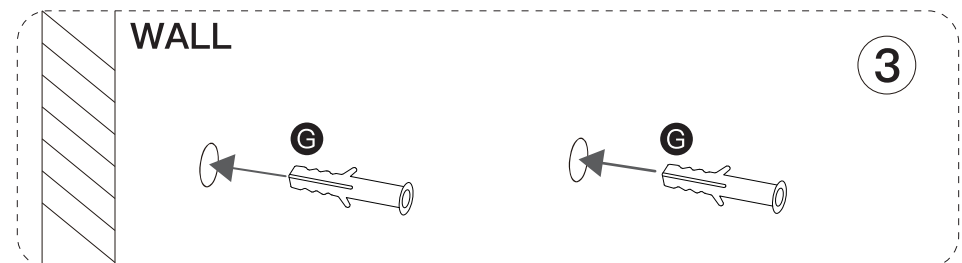
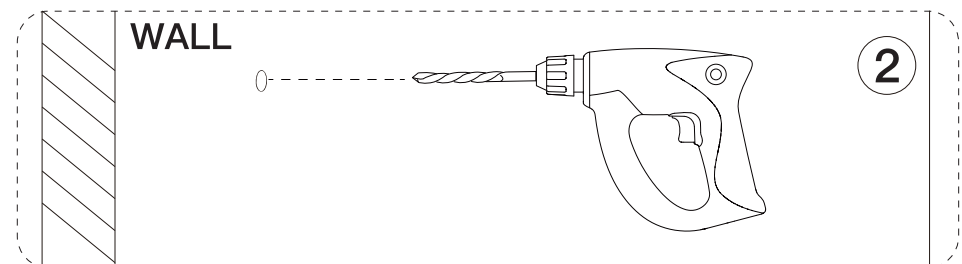
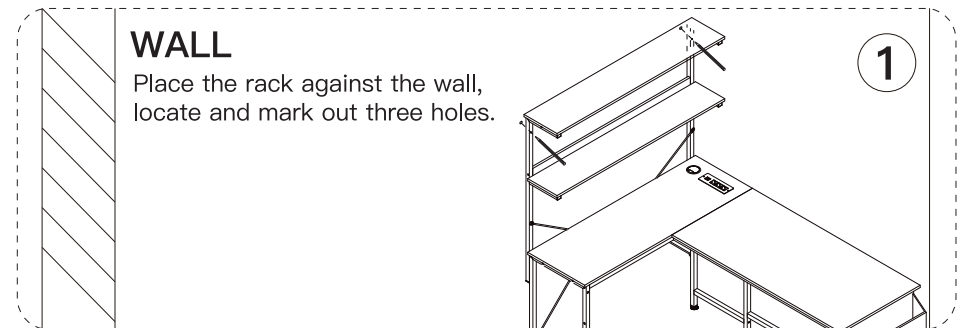
STEP 19



NOTICE
For the safety of you and your family, the **Anti-Tip Device Kit** must be installed.

NOTICE:

Electric drill and hammer are not included in our parts, please prepare them by yourself.



Light strip

Preparation before Installation

Before installation, please carefully read the instructions for this type. Check whether the light strip, power adapter, controller (if any), and connecting wires are in good condition, without extrusion, cuts, or exposed wires.

Confirm that the output voltage (V), current (A), or power (W) of the power adapter fully matches the rated input parameters of the light strip. **Strictly prohibit use with overvoltage or overpower!**

Confirm that the type of the controller (RF remote control, WiFi, Bluetooth, DMX, etc.) is consistent with your needs and compatible with the light strip (in terms of voltage and signal protocol).

Instructions for Use

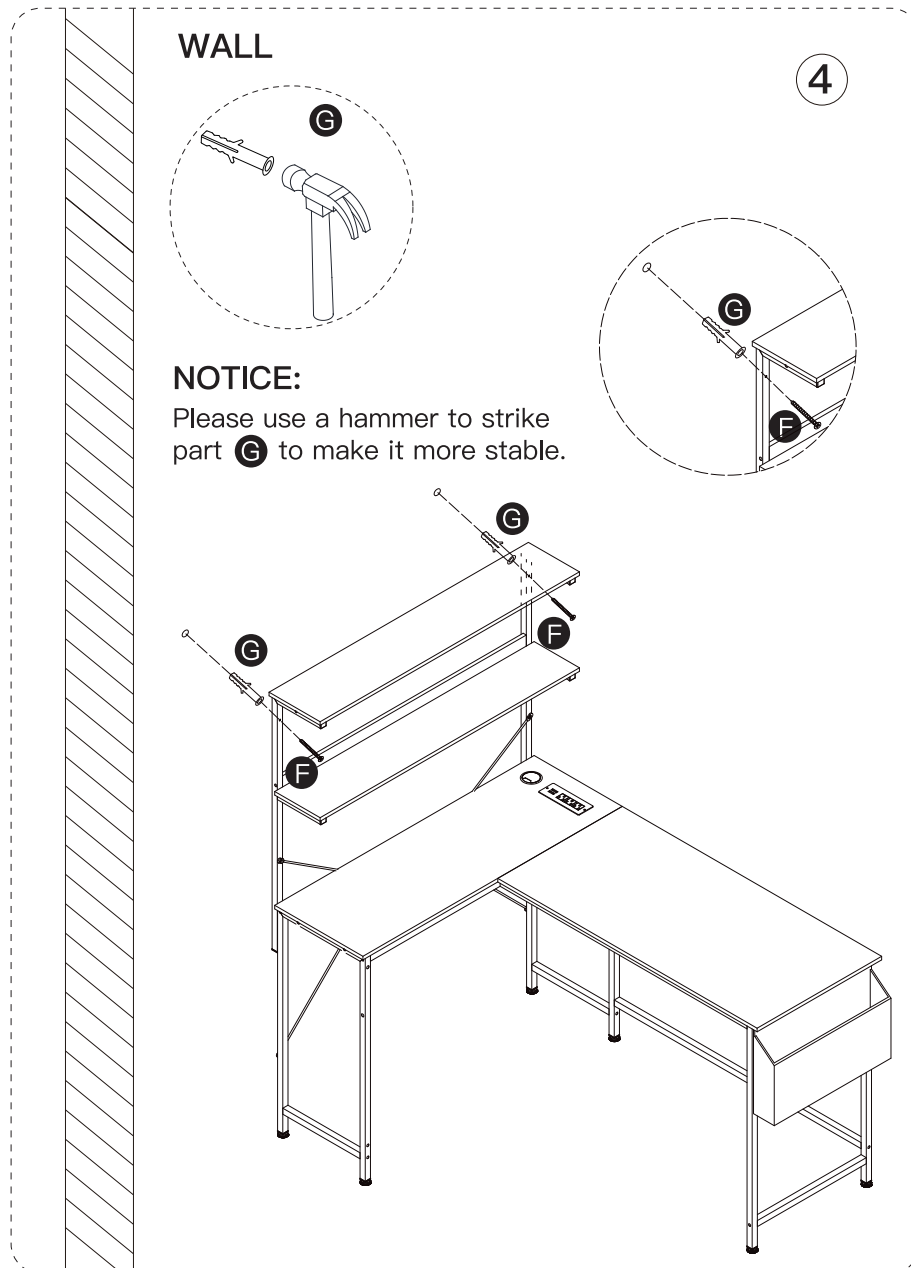
(1) Operate the on/off function, dimming, color adjustment, and mode switching according to the controller's instructions. Avoid prolonged full – power operation in extremely high – temperature environments (such as direct sunlight without heat – dissipation measures) or enclosed, poorly ventilated spaces.

(2) Unless necessary, Do not frequently turn the power on and off. Avoid pulling, squeezing, or folding the light strip, as this may cause circuit breaks and render the light source inoperable.



Notes

- **Stay away from all water sources:** Use the light strip away from water sources or humid environments.
- **Strictly prohibit live – line operation:** All installation, cutting, connection, and maintenance must be carried out when the power is off.
- **Power adapter:** Be sure to use the original or high – quality power adapter with strictly matching parameters.



- **Pay attention to temperature:** It is normal for the light strip to feel slightly warm when working. But if it feels scalding hot ($> 50^{\circ}\text{C}$), it indicates poor heat dissipation or overload. You must immediately cut off the power and check (installation environment, power matching, whether there is a local short circuit).
- **Professional installation:** For complex installations (such as long – distance, high – power, special environments) or if you lack electrical knowledge, it is recommended to seek the help of a professional electrician.
- **Child safety:** Keep children away from this component; Prevent children from biting, swallowing, or wrapping it around their bodies.



Maintenance Methods

(1) **Cleaning Method:** Before cleaning, be sure to disconnect the power supply and wait for the light strip to cool down. Use a dry or slightly damp soft cloth to gently wipe dust and stains on the surface of the light strip. The surface of the encapsulated glue is relatively easy to clean. It is strictly forbidden to use corrosive chemical cleaning agents (such as strong acids, strong alkalis, alcohol, gasoline, thinner, etc.), abrasives, steel wire balls and other hard objects for wiping, so as not to damage the surface finish, transparency of the encapsulated glue layer or cause aging and cracking. **Do not** soak the light strip in water for cleaning!

(2) **Inspection and Maintenance:** Regular inspection (recommended quarterly or semi – annually): Check whether the light strip has physical damage (such as cuts, indentations, colloid cracking, degumming). Check whether all connection points (joints, solder joints, power interfaces) are firm, free of rust, and free of water ingress marks. Check whether the waterproof measures (end caps, connector seals, sealant) are in good condition and not aged and ineffective. Check whether the fixing devices (back glue, buckles, cable ties) are loose or fallen off.

Power strip

Preparation before Installation

Ensure the rated voltage range marked on the power strip covers your local voltage. **Never use** it if they don't match!

Carefully check the maximum rated power (in Watts, W) or maximum current (in Amperes, A) marked on the power strip. This indicates the total load limit the strip can handle.

Instructions for Use

(1) Insert the power strip plug fully into the wall socket to ensure good contact.

(2) Plug appliances directly into the power strip's sockets. Never daisy-chain (cascade) another power strip onto this one, especially for high-power devices. This significantly increases the risk of overloading and circuit overheating.



Notes

- **Waterproof and moisture – proof:** Keep away from water sources. Do not cover the power strip (such as covering it with blankets, books, curtains). Ensure there is enough space around for heat dissipation. Stay away from heat sources and flammable materials. **Do not** let heavy objects press on the power cord or the power strip itself. **Do not** bend, pull, or step on the power cord. Do not use nails to fix the power cord.
- **Regular Touch Checks:** After using for a while (especially after using high-power devices), gently touch the power strip casing and power cord with the back of your hand. A slight warmth is normal (heat is generated when electricity passes through), but if it feels hot to the touch, stop using it immediately and unplug all devices!
- **Child Safety:** If there are children in the household, choose a power strip with safety shutters (to prevent foreign objects from being inserted into individual sockets) and educate children not to play with the power strip or power cord.



Maintenance Methods:

(1) **Regular Cleaning:** Be sure to first unplug all plugs and disconnect the power strip from the wall socket, then wipe dust off the casing and power cord with a dry, soft cloth, use a dry, soft brush to clean gaps, strictly prohibit using liquid cleaners like wet cloths, cleaning agents, alcohol, sprays, etc. as liquid seeping inside can cause short circuits and electric shock risks; if there's dust in the sockets, carefully clean them using a can of dry compressed air (keep a certain distance) or a dry, soft brush and never poke the sockets with metal objects such as paper clips or toothpicks!

(2) **Regular Inspection:** Conduct inspections once a month or once a quarter: check if the power cord has damage, hardening, cracks, indentations, or pet bite marks; check if the plug and sockets have signs of scorching, deformation, looseness, or poor contact; inspect the casing for cracks, deformation, or traces of abnormal heating; and smell for any unusual burning odor (even when not powered on, internal faults may leave residual odors). If any of the above issues are found, stop using it immediately and replace it!

(3) **Avoid Improper Operation:** Do not force mismatched plugs into the sockets; when plugging in or unplugging, hold the plug itself with your hand and Do not pull the power cord; Do not place the power strip in locations where it may be stepped on or cause people to trip.

AFTERSALE SERVICE

Dear customer,

We are pleased that you have chosen our product as part of your home. We care deeply about your experience and hope that you receive all the help you need.

We sincerely hope this product meets your expectations and hope that you will consider us again in your future needs.

The packaging may exceed our control during transportation. If there are any issues with the box or contents, please contact us directly. We will provide you with high-quality after-sales service. Please kindly wait for the response from our team.

Thank you once again for choosing us. Let's create wonderful memories and comfortable spaces together!

Kind regards,
Customer Care Team