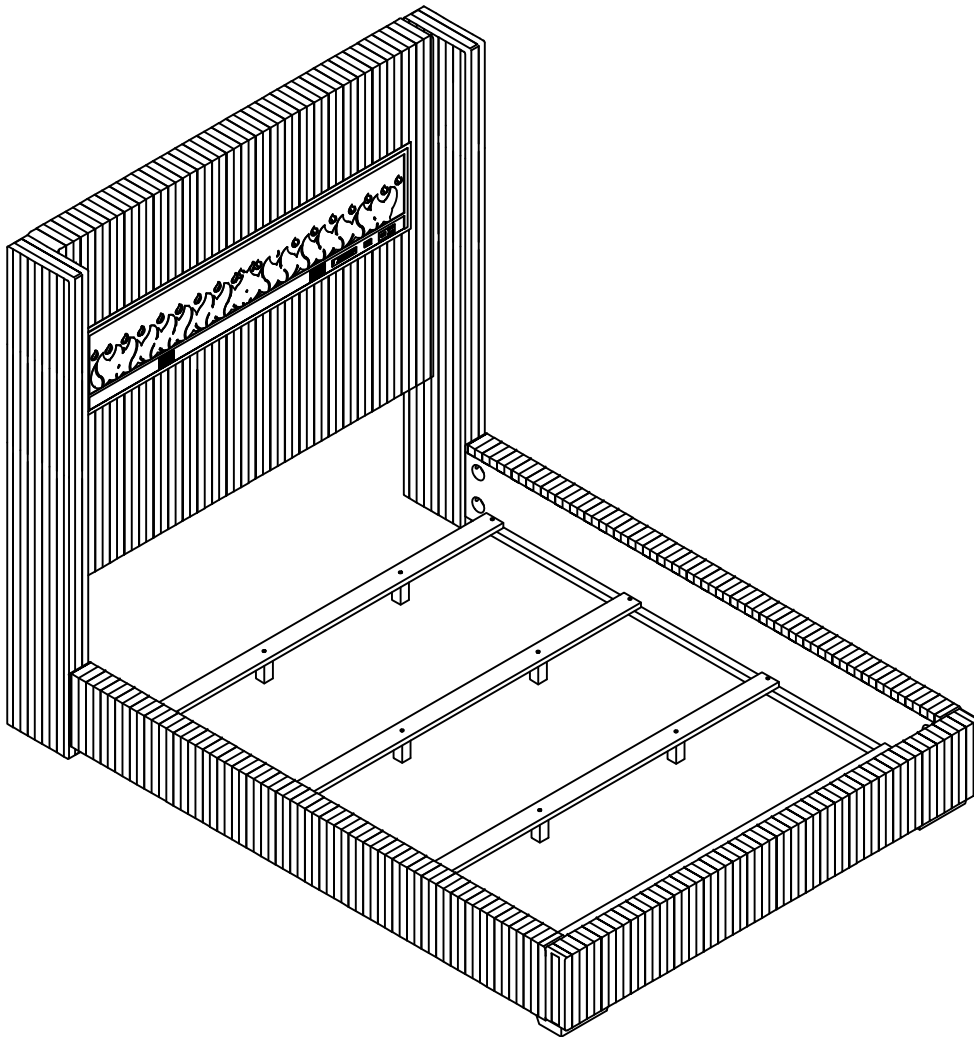


# ASSEMBLY INSTRUCTIONS

## EASTERN KING BED CAL KING BED

### TOOLS REQUIRED



Screwdriver  
(Not Included)



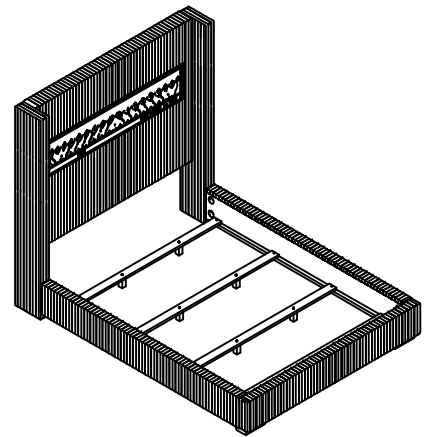
(Included)  
Allen Wrench



2 - People

Enjoying this product? We'd love your 5-star review!  
If you have any issues, our support team is happy to help.

# EASTERN KING BED CAL KING BED



## CHECK BEFORE STARTING

### Are you missing anything?

Please double check all hardware and parts match the assembly guide before putting the product together. If damaged, we suggest you put the item back in the box and start your claim or return

### Should we send any replacements?

If there are any manufacturer defects or missing pieces please contact us for replacements. If purchased online, please contact the website of where you purchased it from, DIRECTLY

## IMPORTANT INFO before assembly:

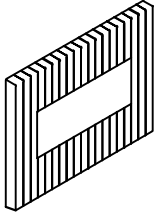
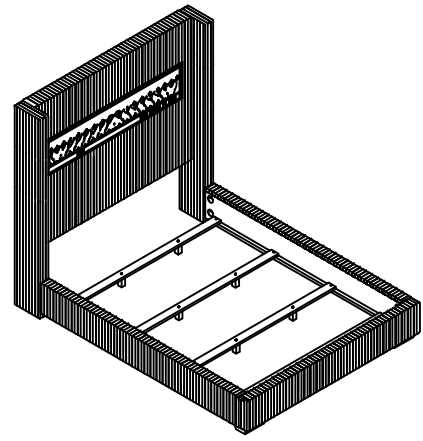
- \* **If there's a problem with the parts do not attempt to assemble the product**
- \* Place all parts on a clean and smooth surface such as a rug/carpet to avoid parts from being scratched
- \* When tightening screws to product do not overtighten until product is fully setup
- \* If product is too heavy for a single person to carry do not attempt and ask for assistance
- \* **DO NOT DRAG or PUSH** item to desired location. Must be carried when moving
- \* If item is not working as intended please review the assembly guide to see if any steps were missed or incorrectly built. If there's a problem with part please contact seller for additional assistance
- \* Please keep all hardware and small parts away from pets/infants
- \* Please wear gloves or protective gear to protect from getting cuts
- \* It is normal for new furniture to have an off gassing smell. Please air out furniture near a window for a few hours or a day before placing it in its desired location
- \* All products may have a slight color and texture variation due to different shipments, natural materials, screen-resolutions, or lighting in home. Images are rendered by different devices or websites

# EASTERN KING BED CAL KING BED

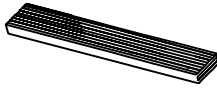
\* Ease keep instructions for future reference

\* Check the quantity and irregularity of parts and hardware before you start

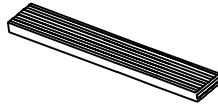
\* If assembly guide is misplaced, please visit ourwebsite for copy



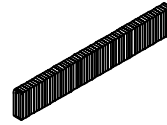
1 HEADBOARD  
1pc



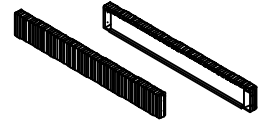
2 LSF HEADBOARD WING  
1pc



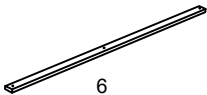
3 RSF HEADBOARD WING  
1pc



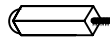
4 FOOTBOARD  
1pc



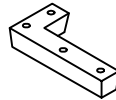
5 LSF/ RSF SIDE RAILS  
2pcs



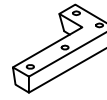
6 SLATS  
4pcs



7 SUPPORT LEG WITH LEVELER  
8pcs



8 LSF L FEET  
1pc



9 RSF L FEET  
1pc



10 REMOTE CONTROL  
1pc



A BOLT  
5/16"60MM  
6pcs



B THERED BOLT  
5/16"90mm  
8pcs



C SPRING WASHER  
5/16" X 22MM"  
14pcs



D FLAT WASHER  
5/16" x 22mm  
14pcs



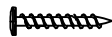
E ALLEN WRENCH  
M5  
1pc



F HEX NUT  
16X13X13MM  
8pcs



G WRENCH  
1pc



H SHORT SCREWS  
M4X30MM  
8pcs



I LONG SCREWS  
M4X50MM  
8pcs



J FLAT WASHER  
1/4"  
8pcs

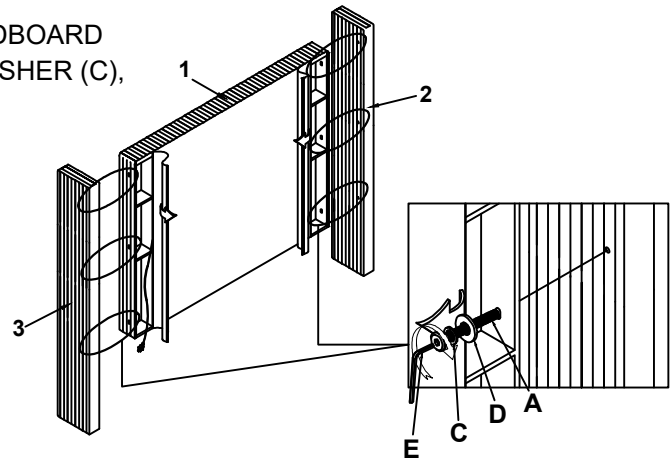
If any parts/hardware listed are damaged or missing  
Please contact the seller for additional assistance

# EASTERN KING BED CAL KING BED ASSEMBLY INSTRUCTIONS

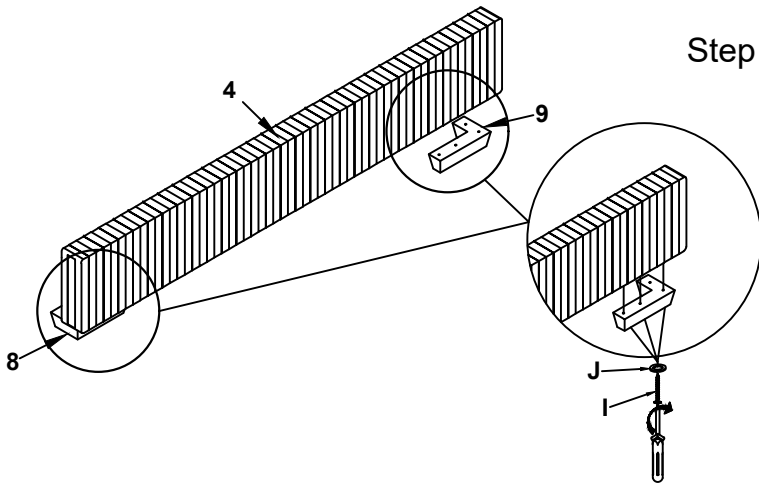
## IMPORTANT

- Please keep Hex Wrench and Key Wrench in a safe as you may to tighten up the Head Cap Bolts in the future.
- Use a soft cloth between these part and the floor.
- After assembly, item must be level to work proper. Use the included adjustable levelers to level.

**Step 1:** Attach LSF HEADBOARD WING (3) and RSF HEADBOARD WING (4) to HEADBOARD (1) using BOLT (A), SPRING WASHER (C), FLAT WASHER (D) and tighten with ALLEN WRENCH (E).

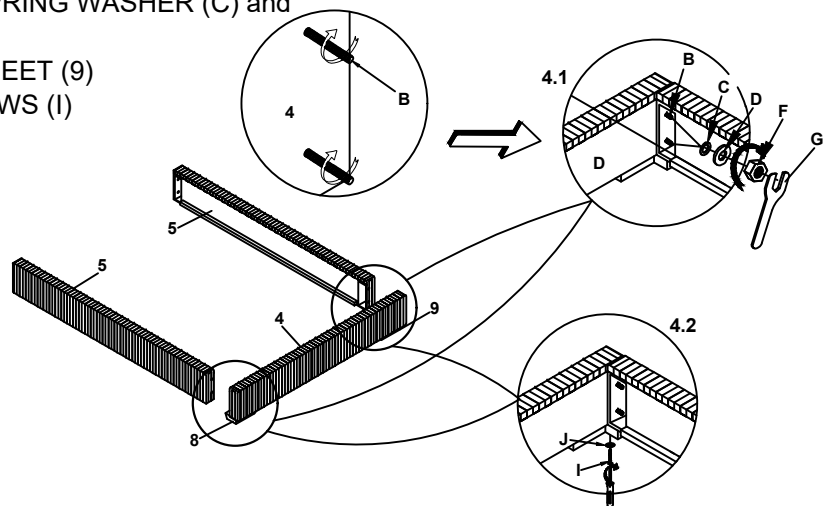


**Step 2:** Attach LSF L FEET (8) AND RSF L FEET (9) TO FOOTBOARD (4) using LONG SCREWS (I) and FLAT WASHER (J).



**Step 3:** 4.1 Attach the LSF/RSF SIDE RAILS (5) to the FOOTBOARD (4) using THERES BOLT (B), FLAT WASHER (D), SPRING WASHER (C) and tighten them using the WRENCH (G).

4.2 Attach LSF L FEET (8) AND RSF L FEET (9) TO LSF/RSF SIDE RAILS (5) using LONG SCREWS (I) and FLAT WASHER (J).

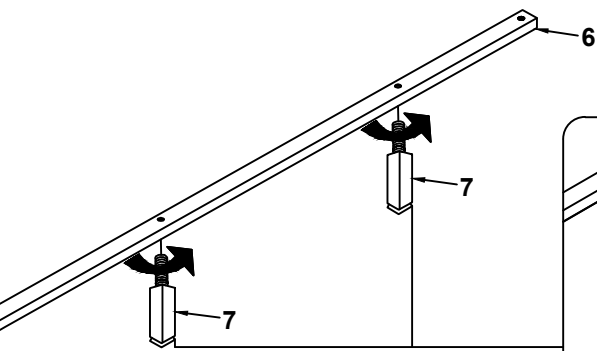
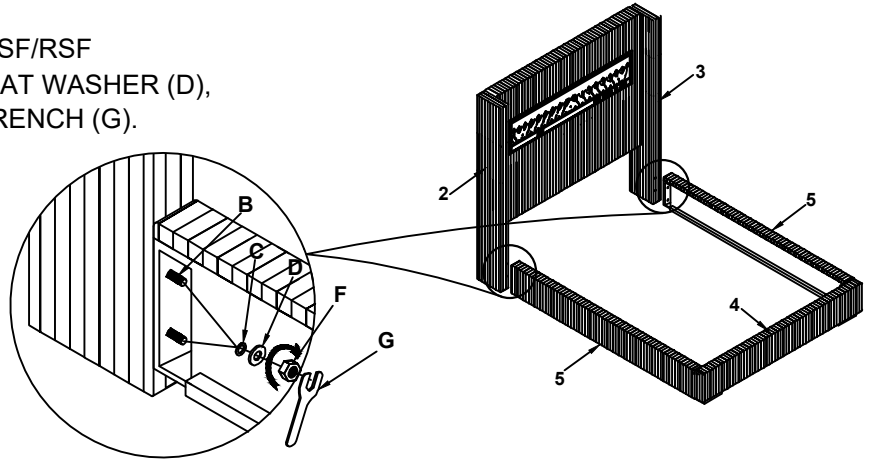


# EASTERN KING BED CAL KING BED

## ASSEMBLY INSTRUCTIONS

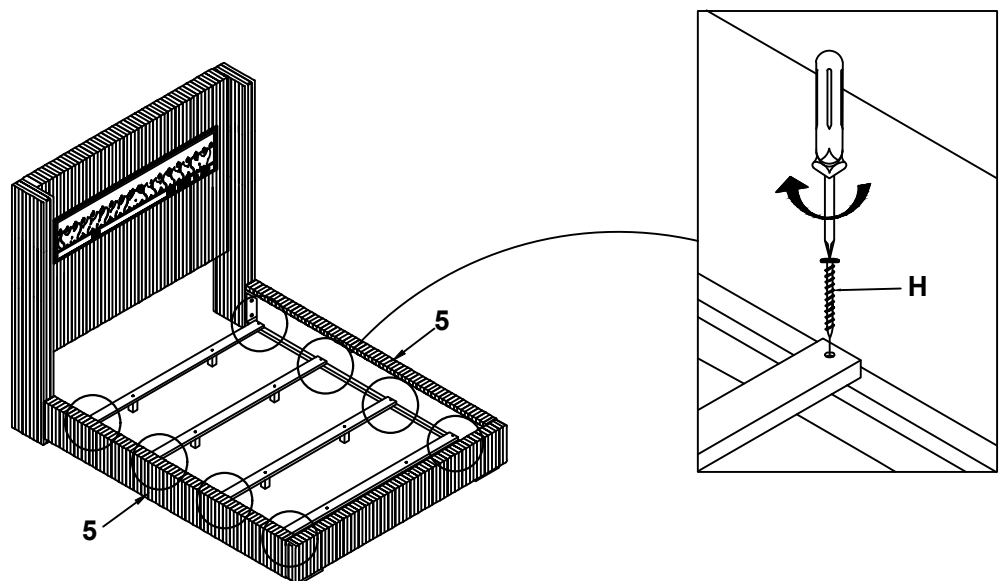
---

**Step 4:** Attach the LSF/RSF SIDE RAILS (5) to the LSF/RSF HEADBOARD WING by using THERES BOLT (B), FLAT WASHER (D), SPRING WASHER (C) and tighten them using the WRENCH (G).



**Step 5:** Attach the SUPPORT LEG WITH LEVELER (7) to the SLATS (6) by turning clockwise.

**Step 6:** Secure SLATS to LSF/RSF SIDE RAILS (5) using SHORT SCREWS (H).



# EASTERN KING BED CAL KING BED

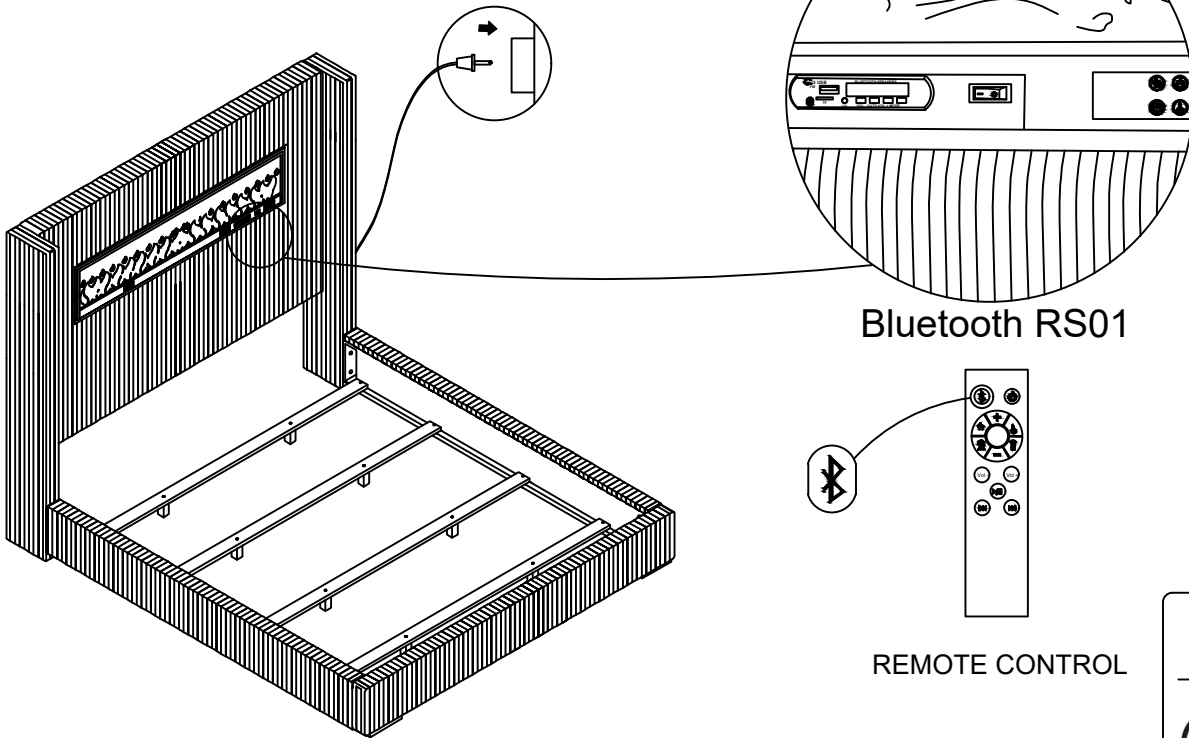
## ASSEMBLY INSTRUCTIONS

---

Step 7: COMPLETED



Connect power



Bluetooth RS01

REMOTE CONTROL

### ASSEMBLY COMPLETED



Please ensure the furniture rests on an even and flat surface. If the product wobbles or feels loose, double-check all bolts and/or screws are properly tightened and secured.



#### Keep this handy!

Please retain this instruction manual and any order-related information for future reference.



#### Lift, don't drag

To avoid damage to product please always LIFT the product when transporting or adjusting the placement.

---

This product is intended for RESIDENTIAL USE ONLY and not for commercial use.