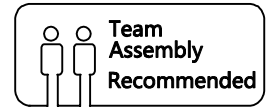
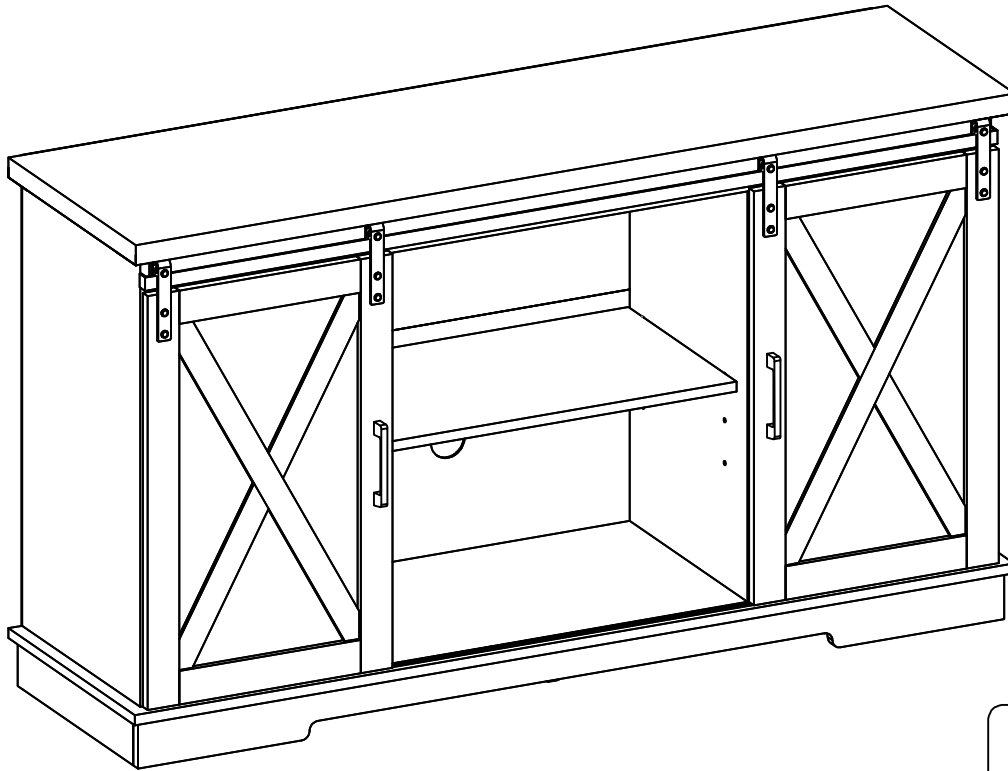


# TV Stand Installation Manual



## Trouble shooting:

Missing / Wrong / Broken parts and installation issues



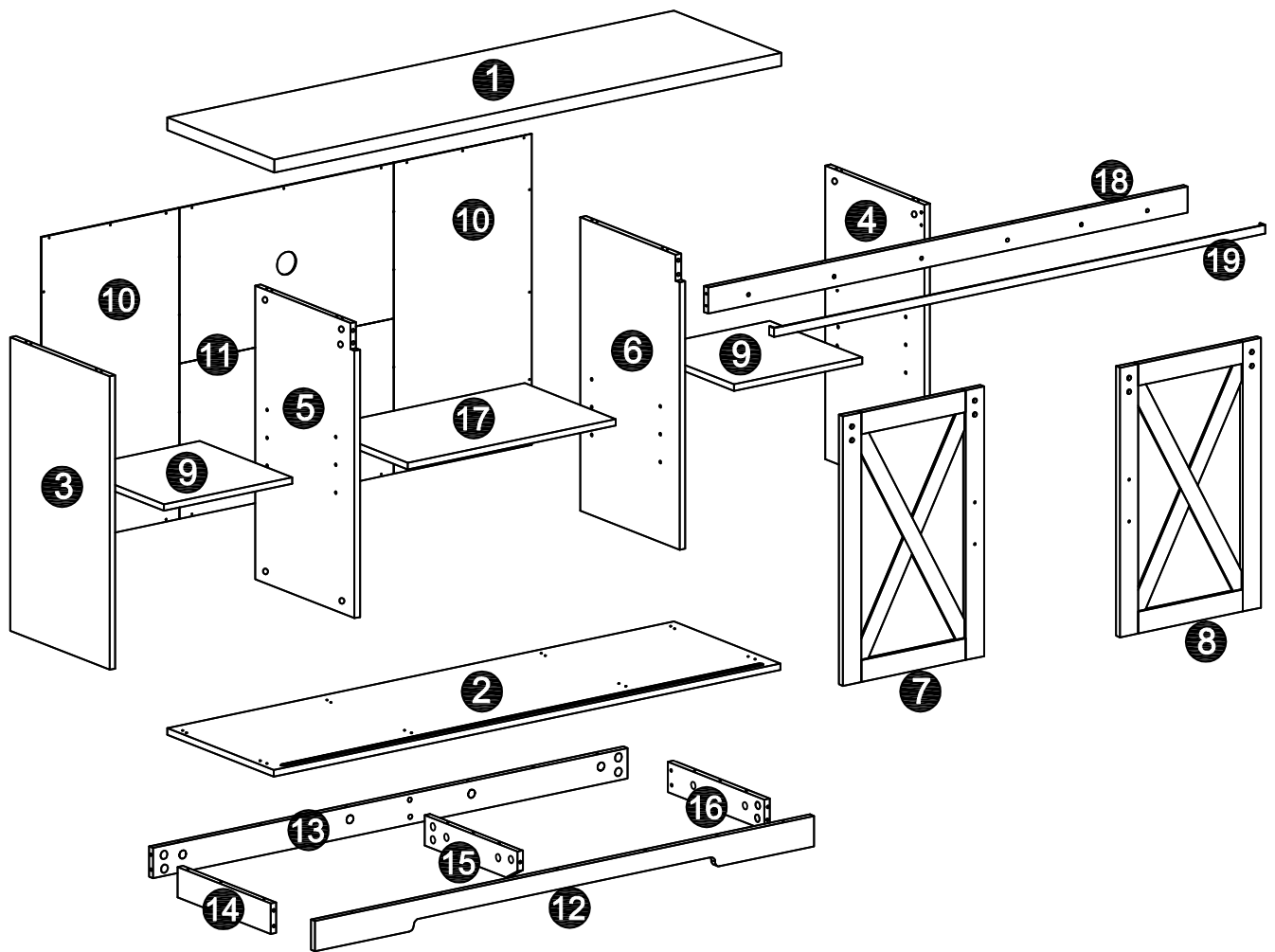
Send email with your question, pic and order NO. to  
[support@idealhouse.vip](mailto:support@idealhouse.vip)



Respond within 24 hours

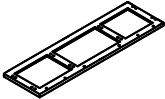
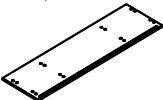
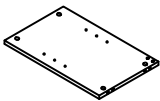
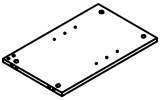
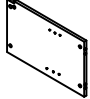
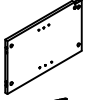


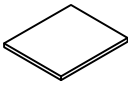
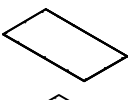
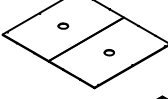
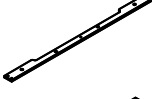
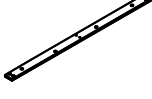
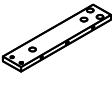
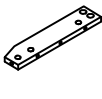
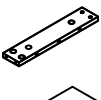
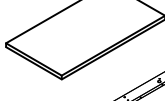
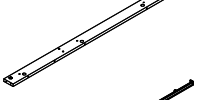



Issue resolved






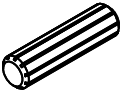



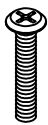





Note: Don't tighten all screws during installation.

### Components

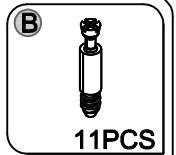
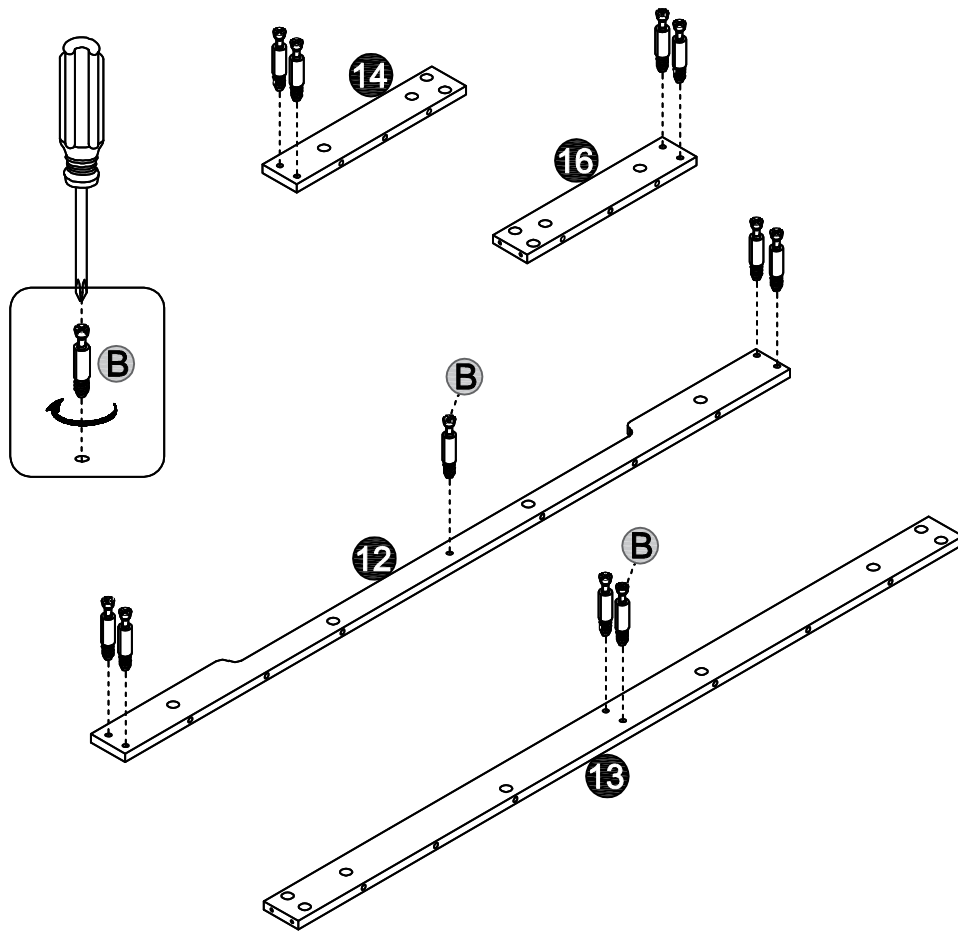
-  ..... **1** x1
-  ..... **2** x1
-  ..... **3** x1
-  ..... **4** x1
-  ..... **5** x1
-  ..... **6** x1
-  ..... **7** x1
-  ..... **8** x1
-  ..... **9** x2
-  ..... **10** x2
-  ..... **11** x1
-  ..... **12** x1
-  ..... **13** x1
-  ..... **14** x1
-  ..... **15** x1
-  ..... **16** x1
-  ..... **17** x1
-  ..... **18** x1
-  ..... **19** x1

### Screws & Tools

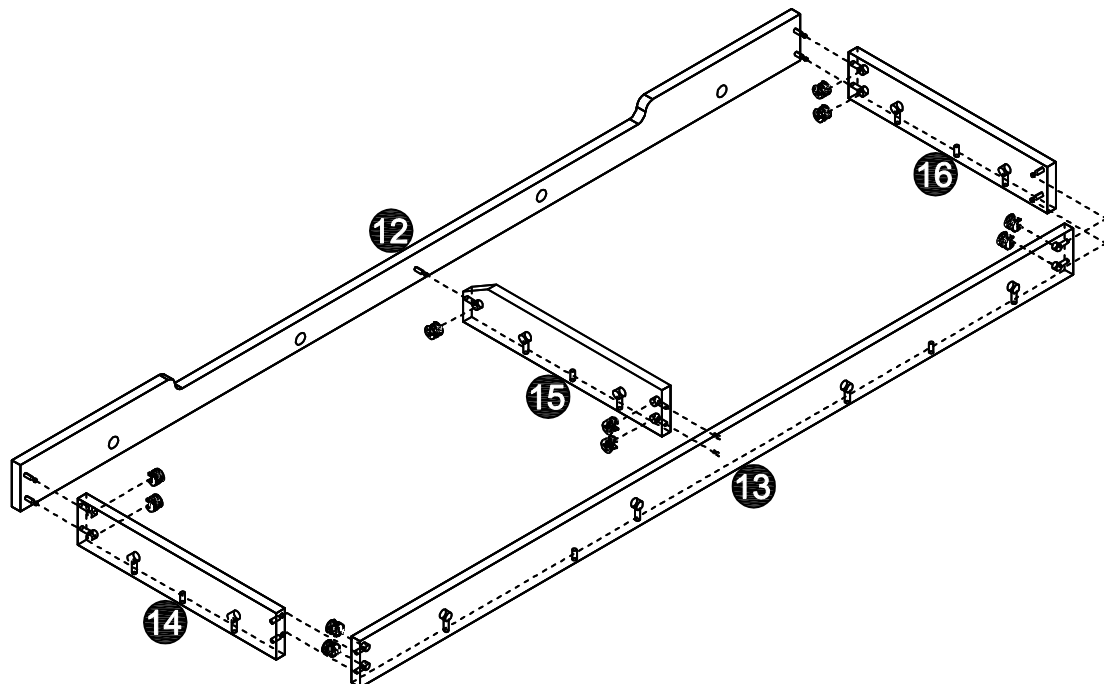
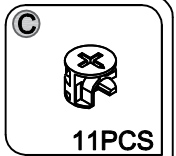
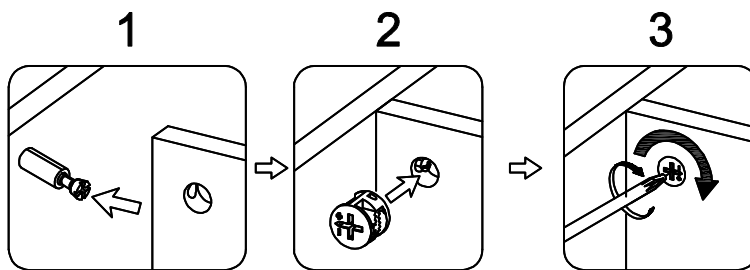
<b>A</b>	 A1  M4 x 18mm	 A2	x2
<b>B</b>			x49+1
<b>C</b>	 Ø15 x 11mm		x49+1
<b>D</b>	 Ø8 x 30mm		x29+1
<b>E</b>			x12
<b>F</b>	 Ø3 x 12mm		x32+1
<b>G</b>	 M6 x 12mm		x8
<b>H</b>	 M6 x 25mm		x6
<b>I</b>			x4
<b>J</b>			x4
<b>K</b>	 Ø3.5 x 12mm		x8+1

Check all the components & screws before assembly.  
Do not install in case part is missing, contact us to get.  
Send email with your question to [support@idealhouse.vip](mailto:support@idealhouse.vip)  
We will resend within 24 hours


# Step 1

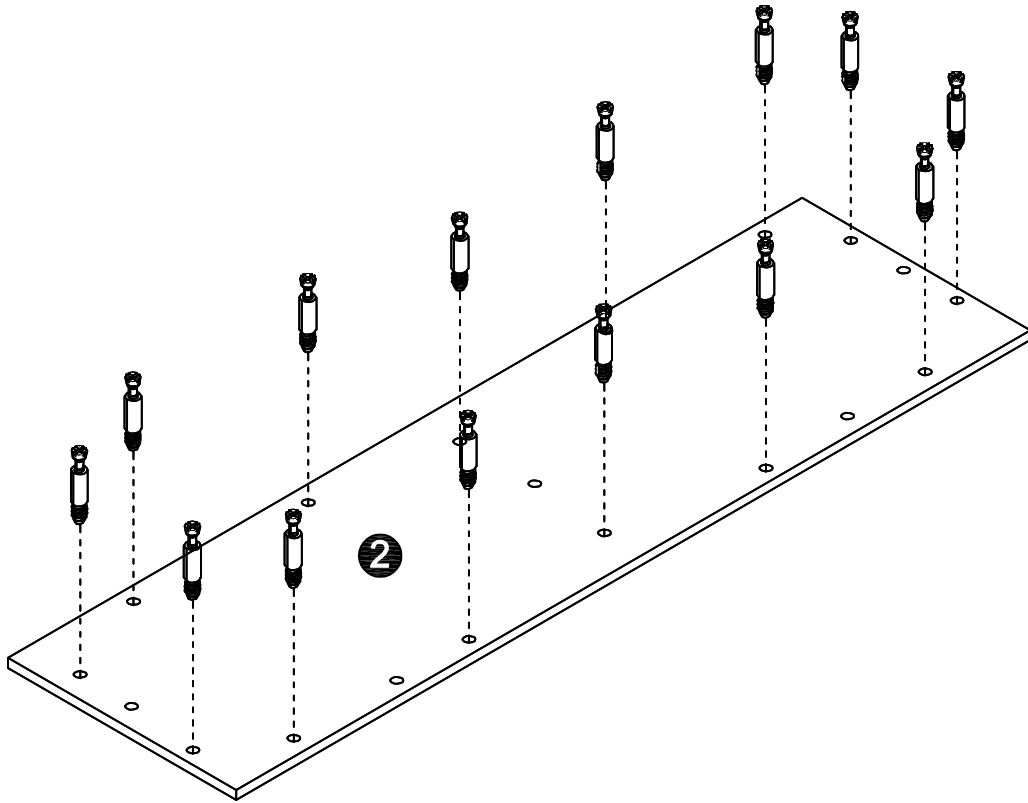


# Step 2





# Step 3

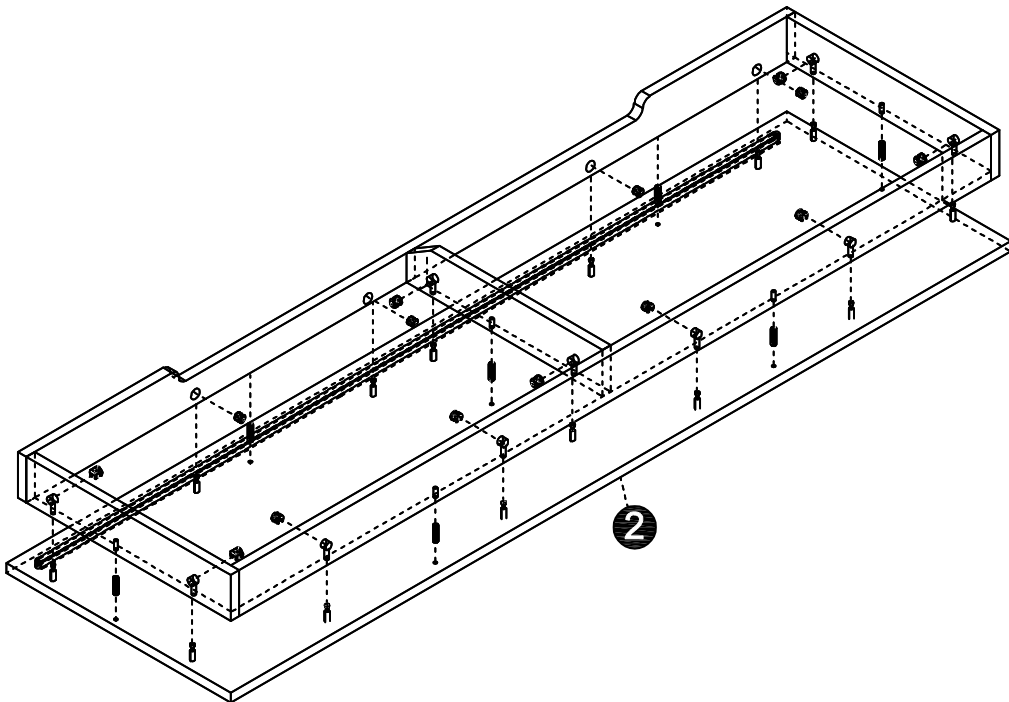
**B**  
  
14PCS



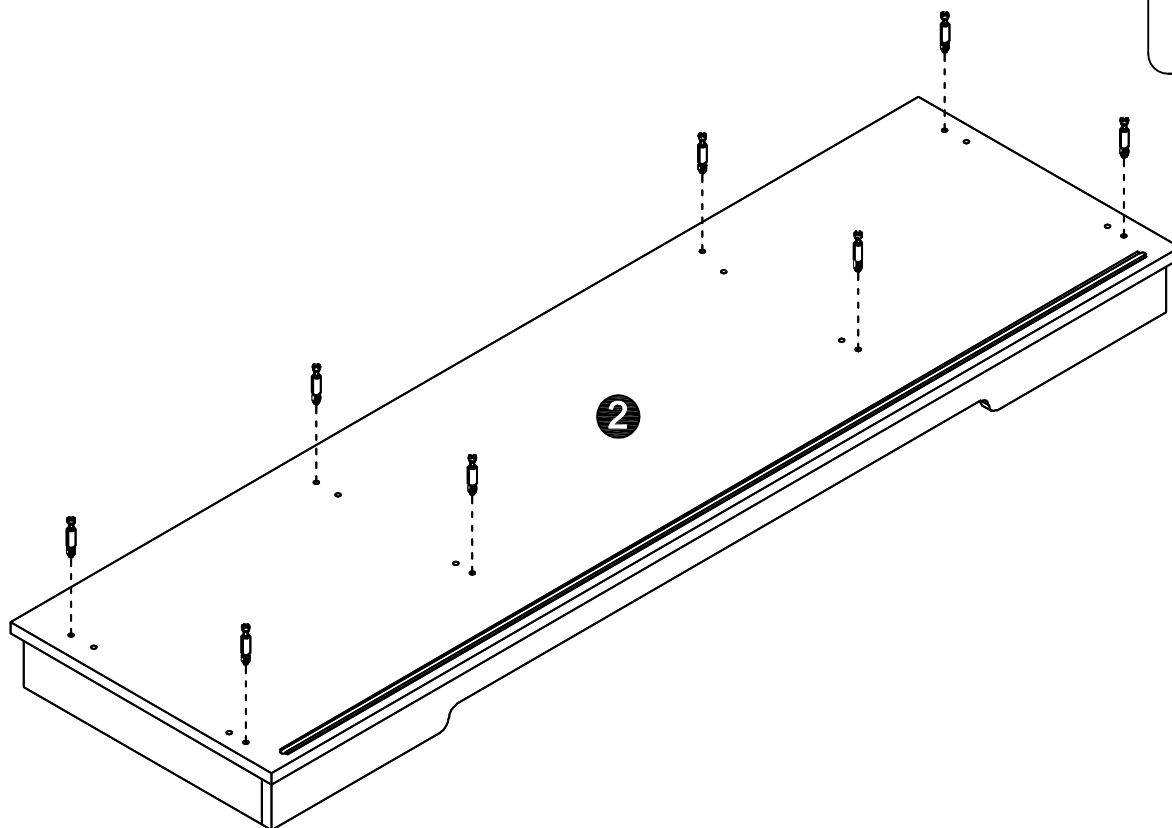
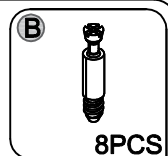
# Step 4

**C**  
  
14PCS

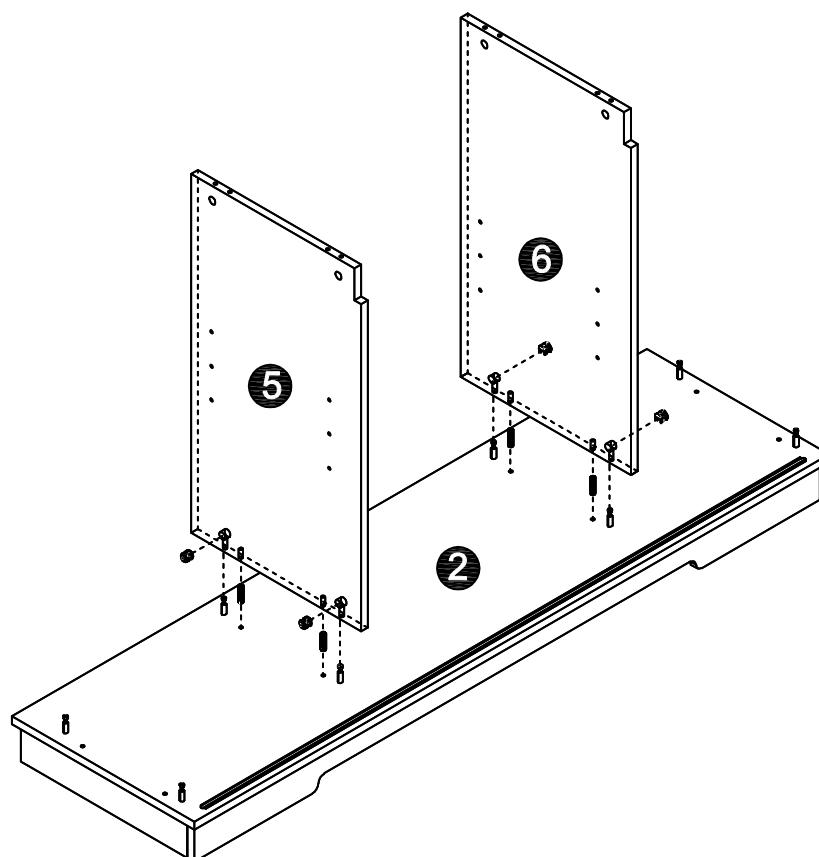
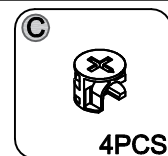
**D**  
  
7PCS



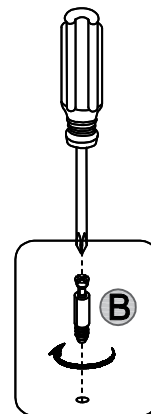
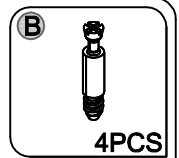
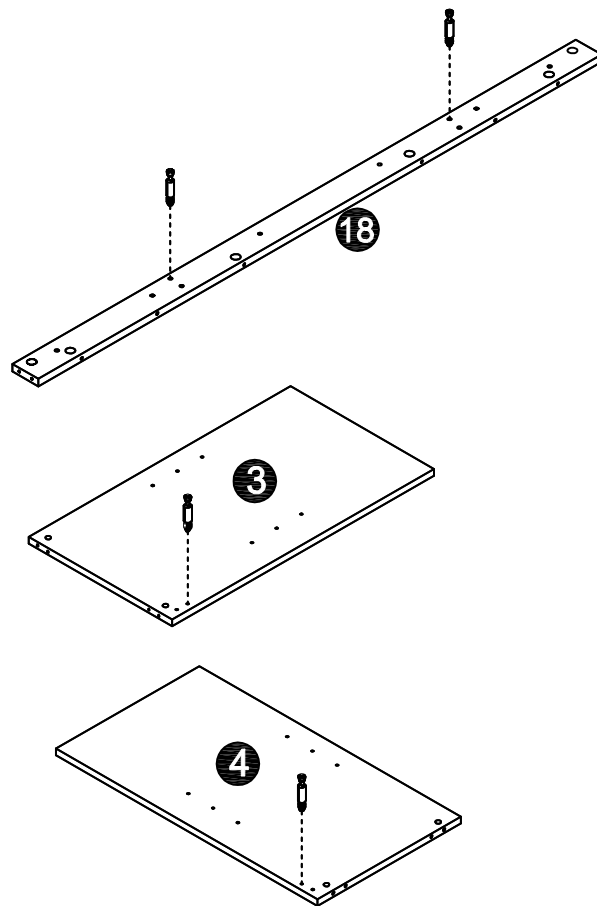
# Step 5



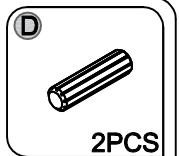
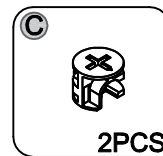
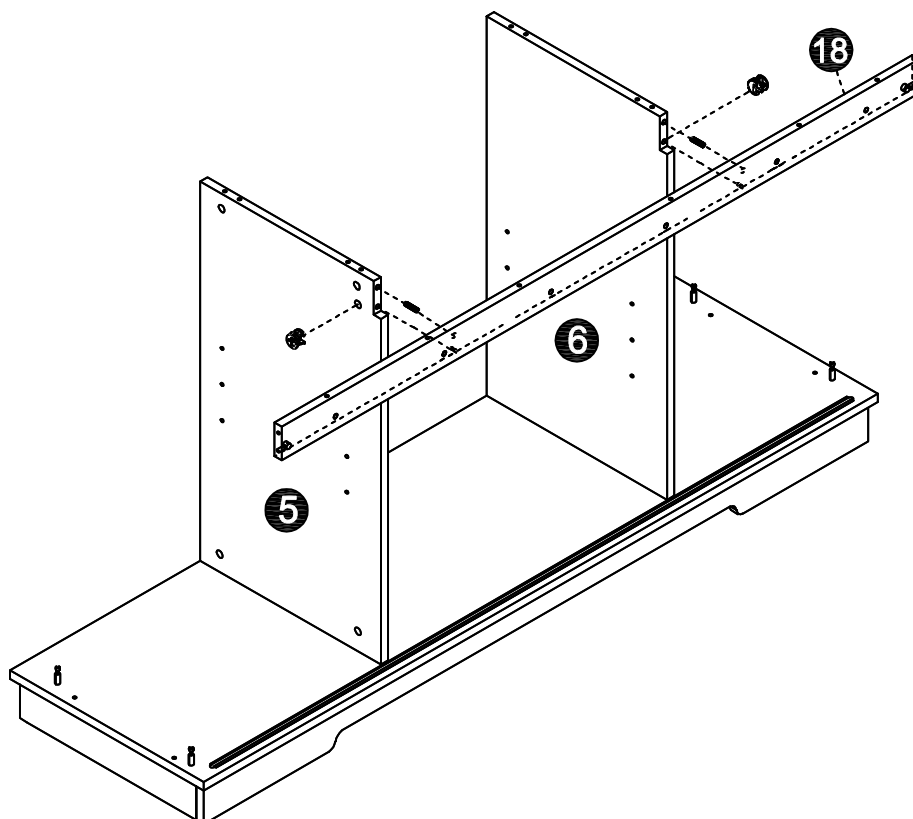
# Step 6



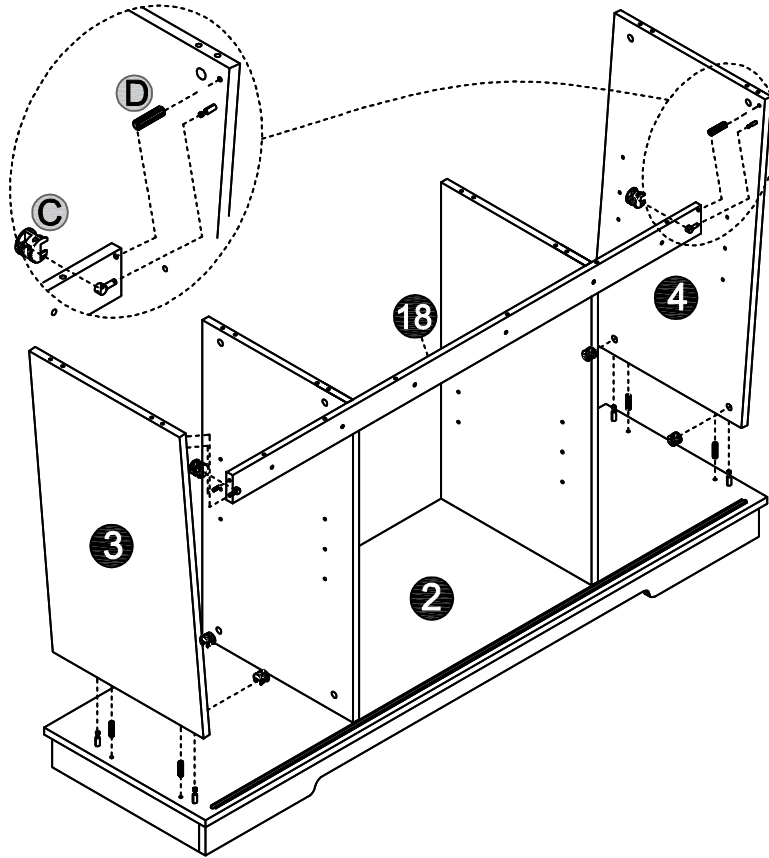
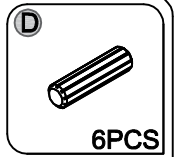
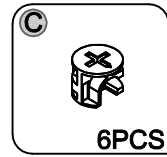
# Step 7



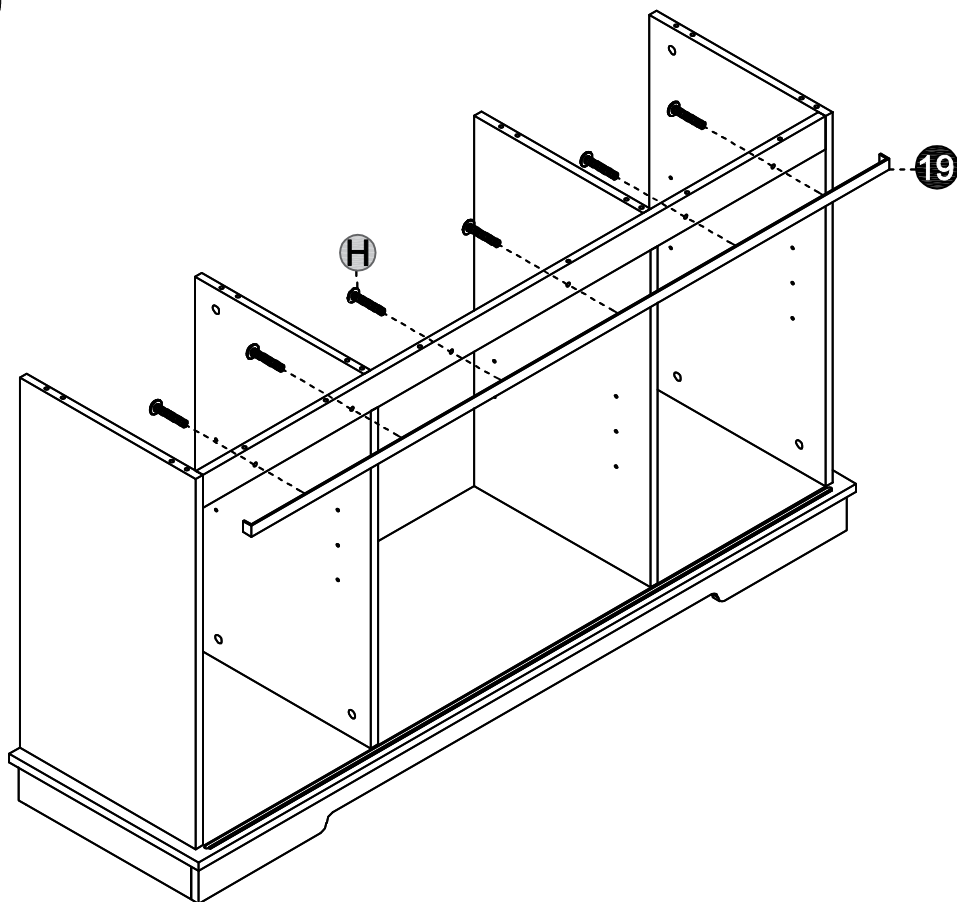
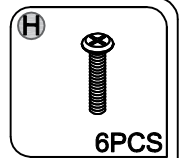
# Step 8



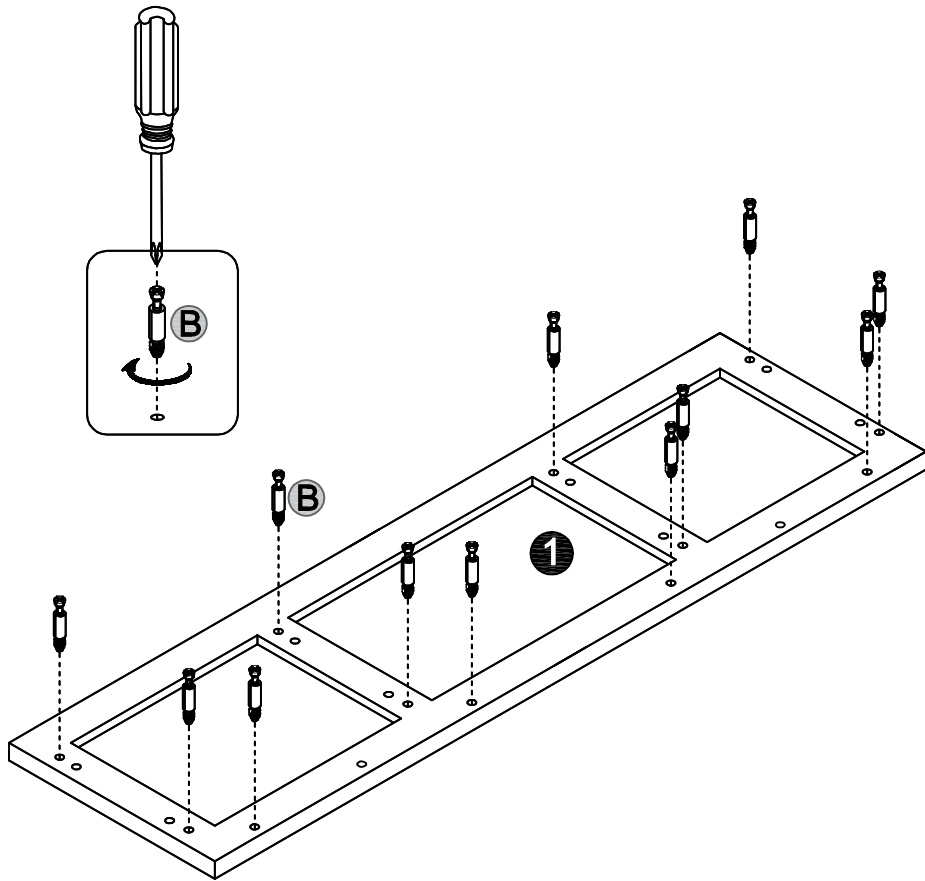
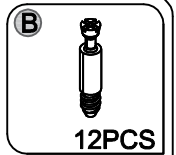
# Step 9



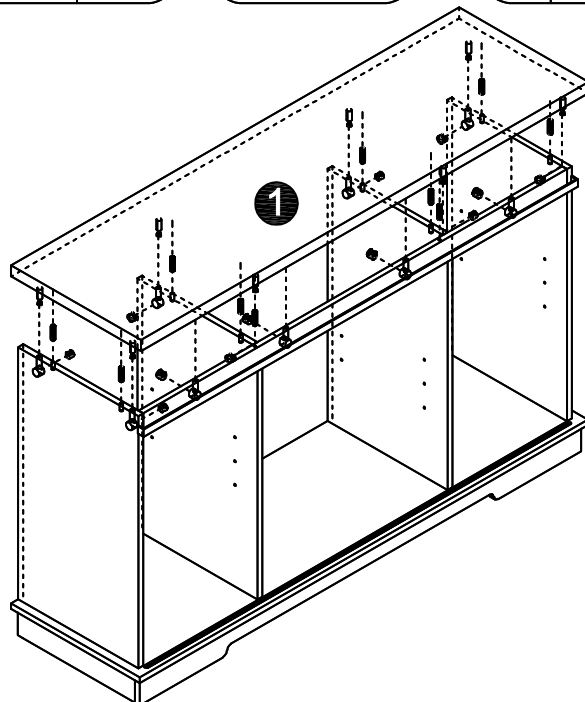
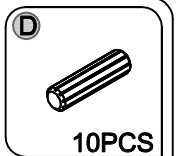
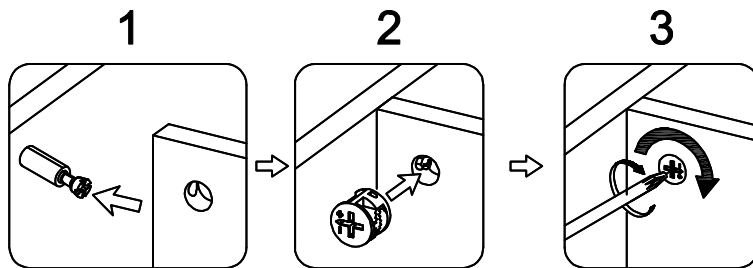
# Step 10



# Step 11

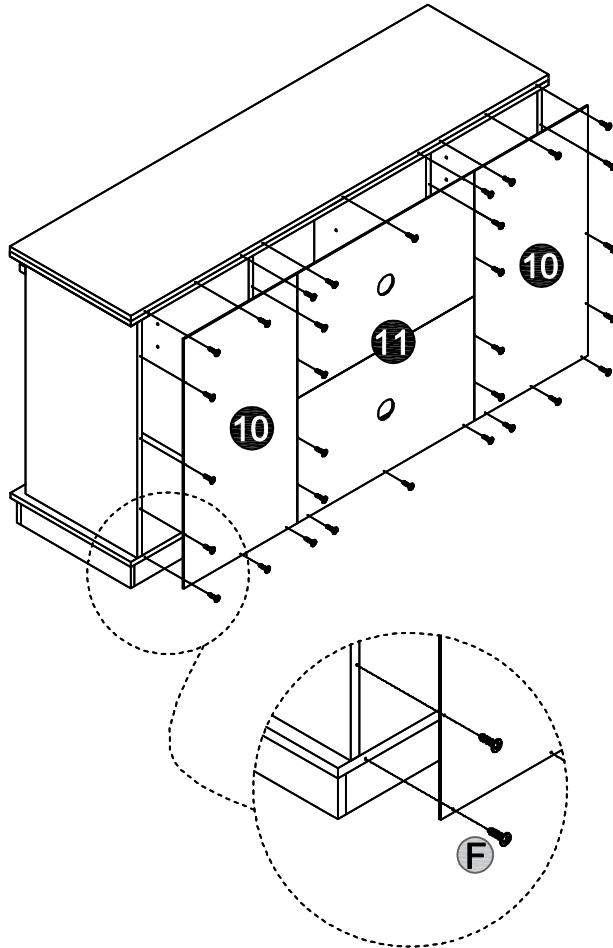


# Step 12



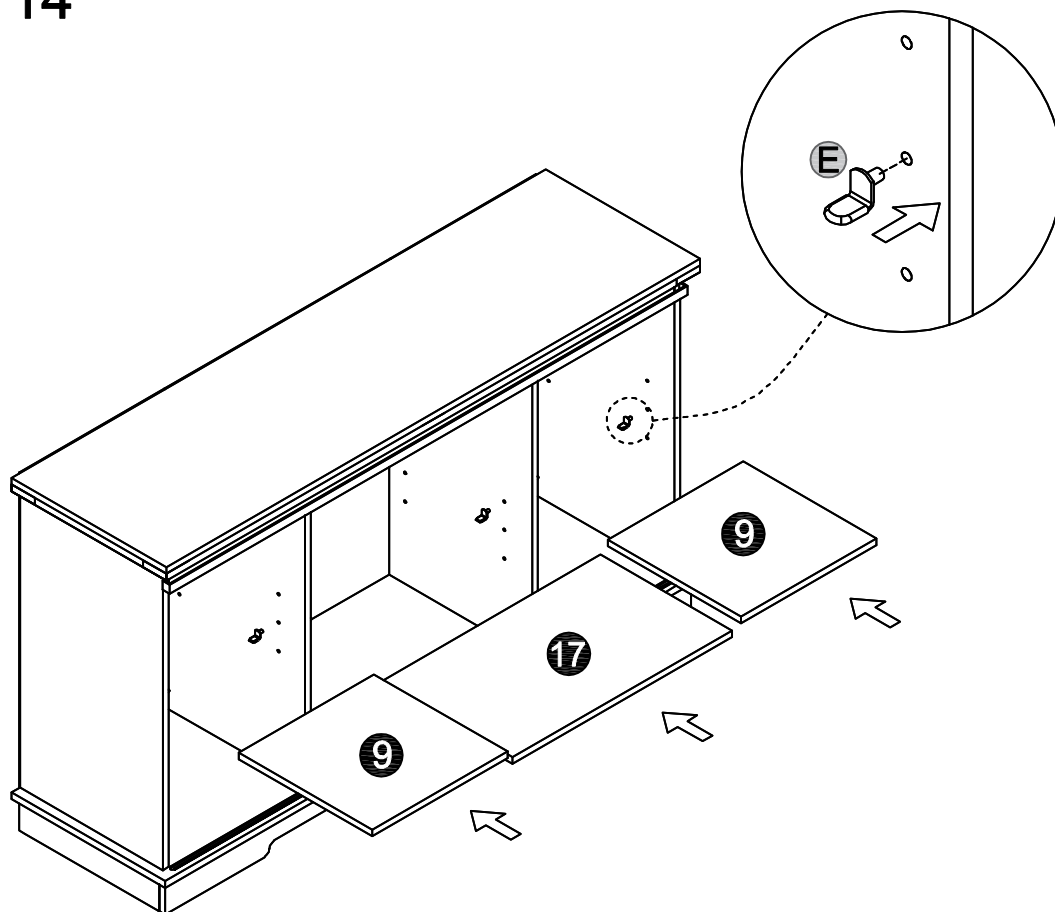
# Step 13

F  
32PCS

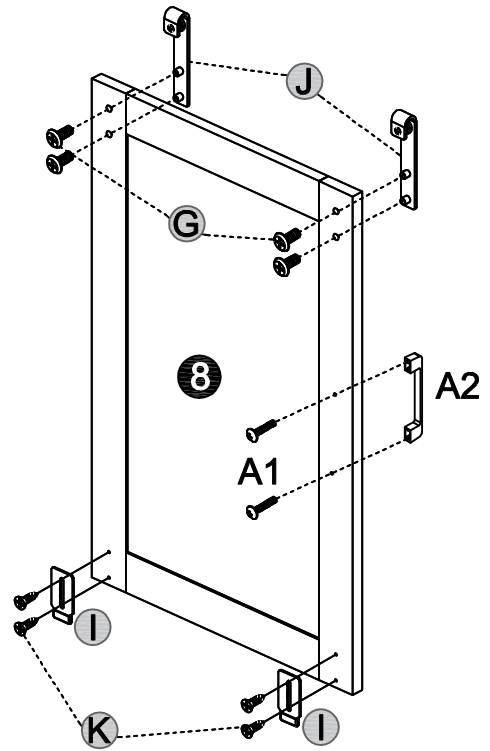
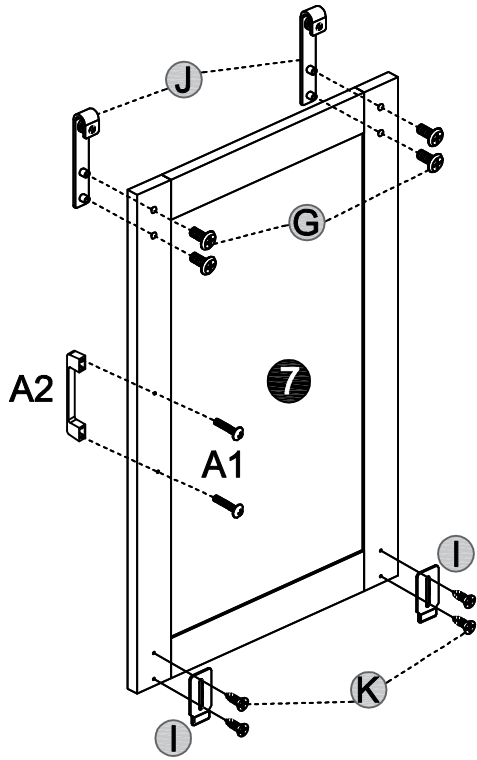
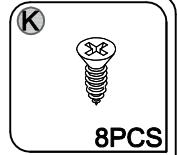
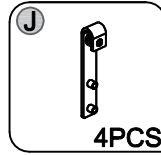
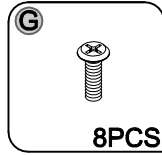
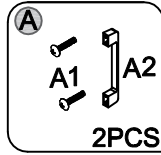


# Step 14

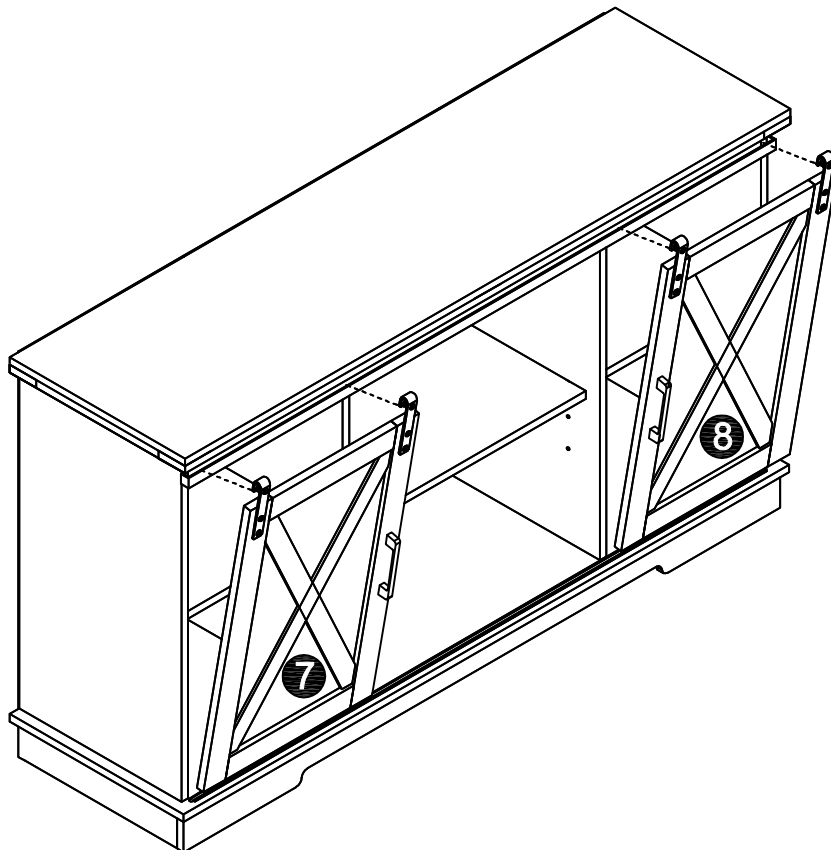
E  
12PCS



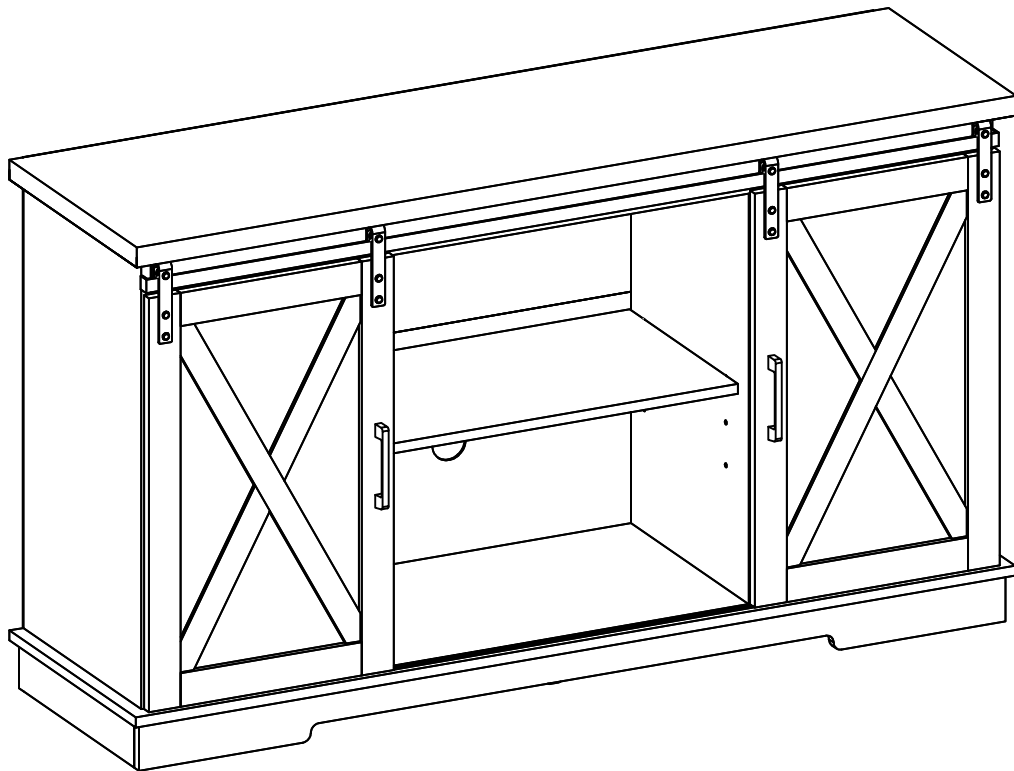
# Step 15



# Step 16



## Step 17



**Note: Pls check and tighten all screws.**