

ASSEMBLY INSTRUCTION

MODEL : BOOKSELF WITH DOOR











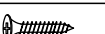


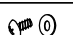

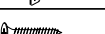
Thanks you for purchasing this quality product. Be sure to lay all components on a soft and clean surface before assembly in order to avoid components from being scratched.

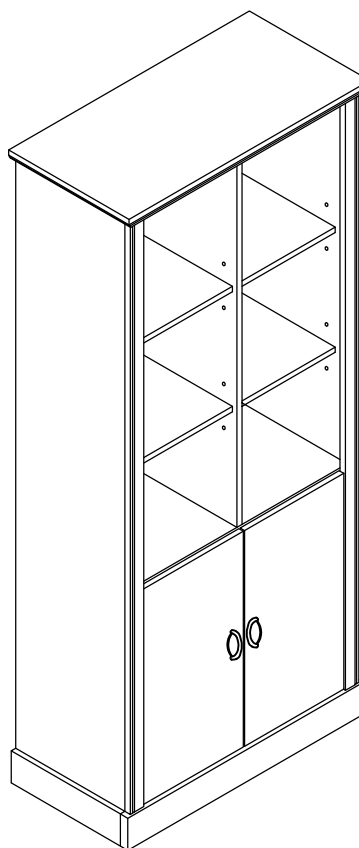
CAUTIONS :

1. Check contents against list for quantity.
2. Familiarize yourself with the components and hardware by reviewing the Assembly Instructions.
3. Do not over tightened the screws and bolts as it may damage the threads.

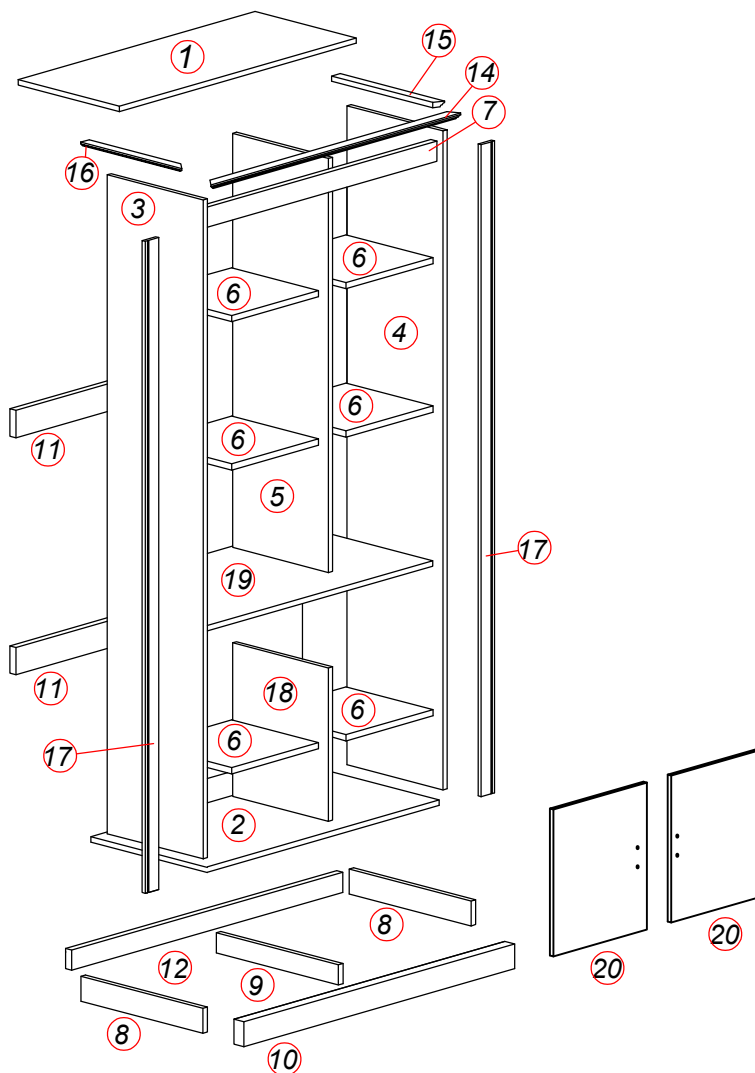
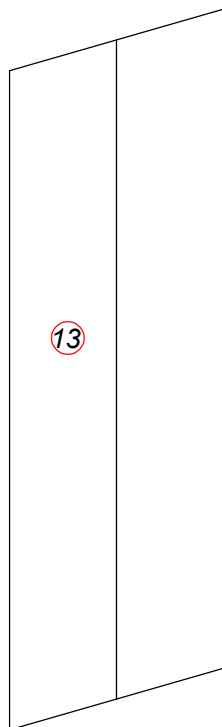
PAGE : 1 OF 6

FULL SETUP

NO	DESCRIPTION		QTY
A	MINIFIX 16MM		38
B	MINICAM 16MM		38
C	ALLEN KEY		1
D	DOWEL 8 X 30 MM		40
E	L BRACKED PLASTIC BLACK		6
F	SHELF SUPPORT		24
G	NAIL LEG		6
H	CORNER BRACKET		2
I	CSK M3.5 X 16MM		40
J	CSK M3 X 16MM		4
K	CSK M4 X 25MM		14
L	PLASTIC STOPPER 35MM		4
M	HANDLE HA 7201		2
N	SCREW HANDLE M4 X 12MM (WITH WASHER)		4
O	HINGES DV 08 (2/8)		4
P	CSK M3.5 X 25MM		8



PARTLIST

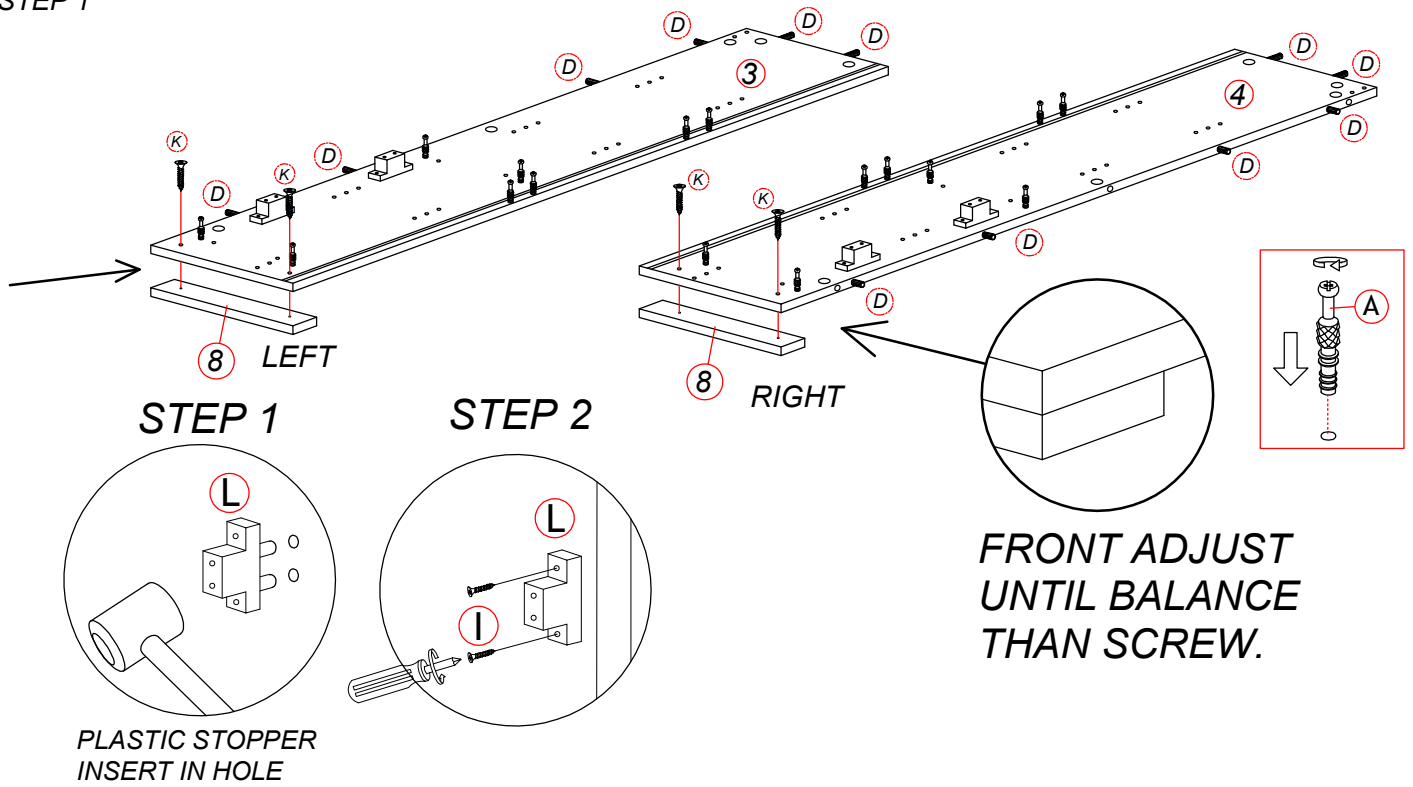


ASSEMBLY INSTRUCTION

MODEL : BOOKSELF WITH DOOR

PAGE : 2 OF 6

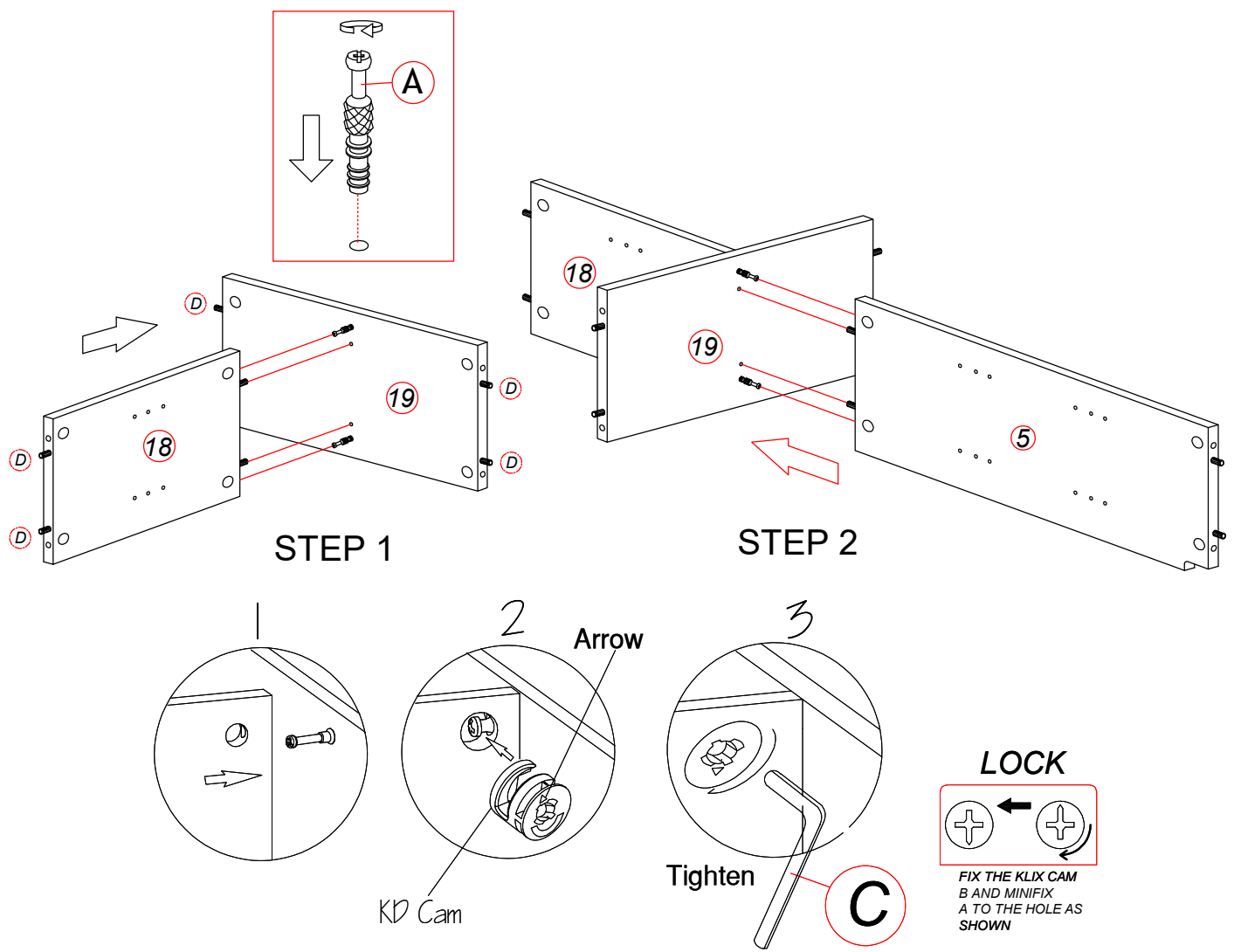
STEP 1



FRONT ADJUST UNTIL BALANCE THAN SCREW.

PLASTIC STOPPER INSERT IN HOLE

STEP 2



LOCK
FIX THE KLIX CAM B AND MINIFIX A TO THE HOLE AS SHOWN

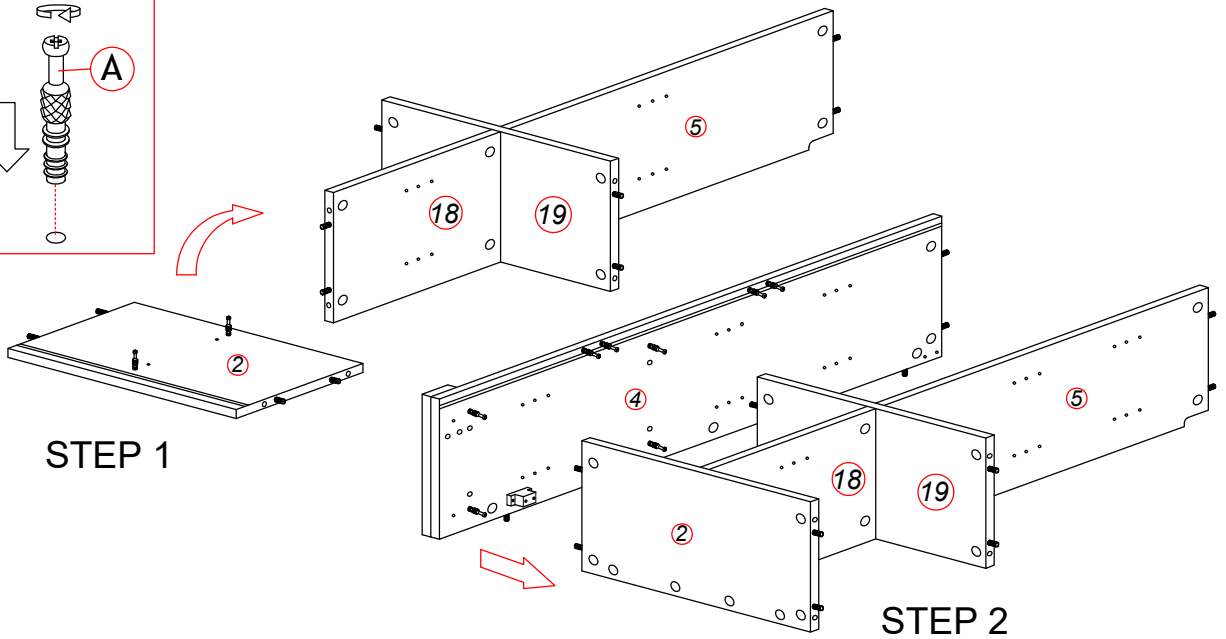
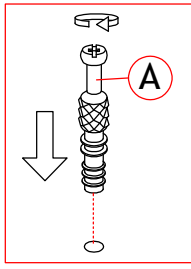
KD Cam

Tighten

C

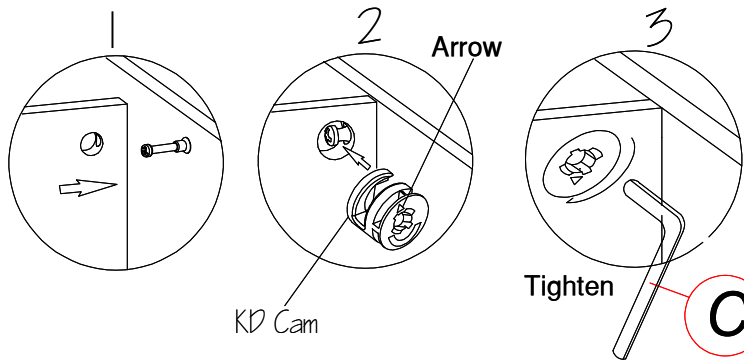
ASSEMBLY INSTRUCTION

STEP 3

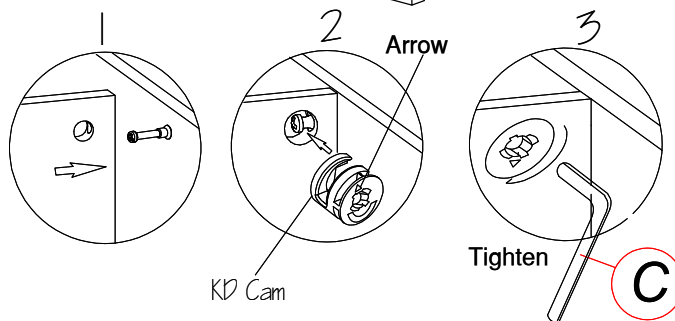
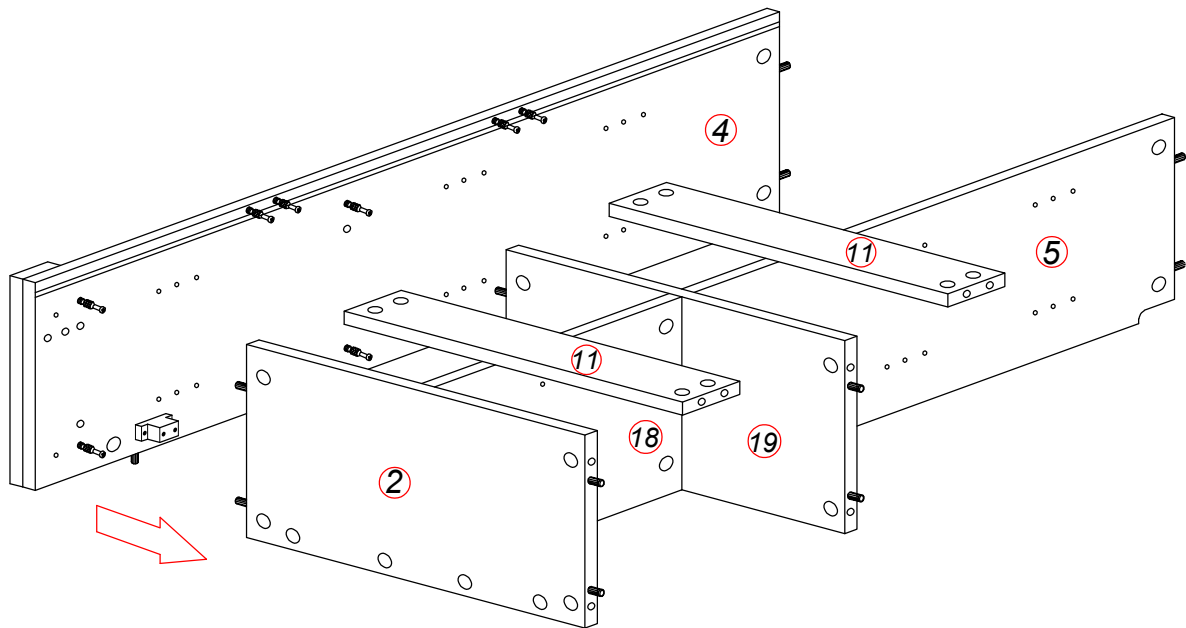


STEP 1

STEP 2

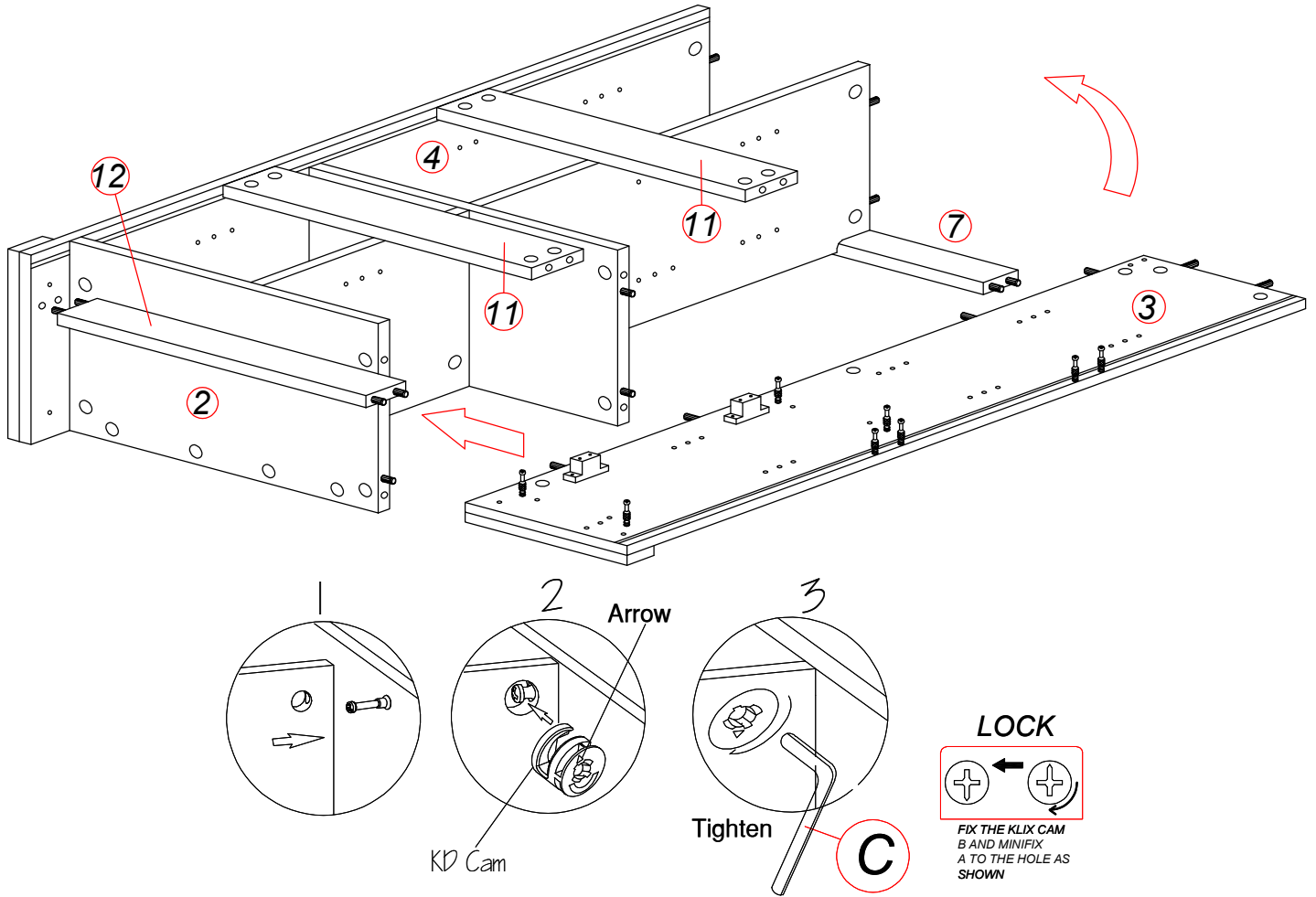


STEP 4

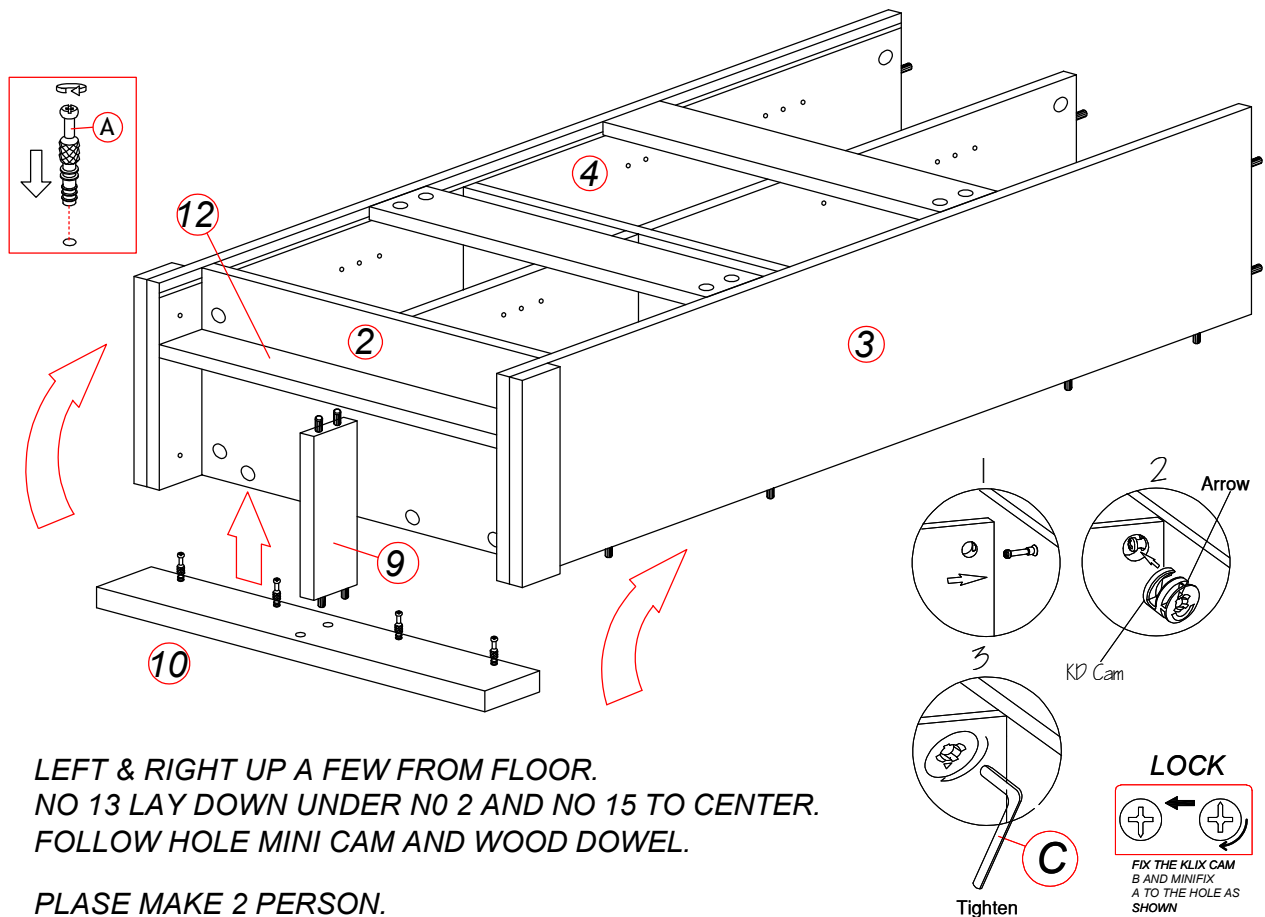


ASSEMBLY INSTRUCTION

STEP 5



STEP 6



LEFT & RIGHT UP A FEW FROM FLOOR.
NO 13 LAY DOWN UNDER NO 2 AND NO 15 TO CENTER.
FOLLOW HOLE MINI CAM AND WOOD DOWEL.

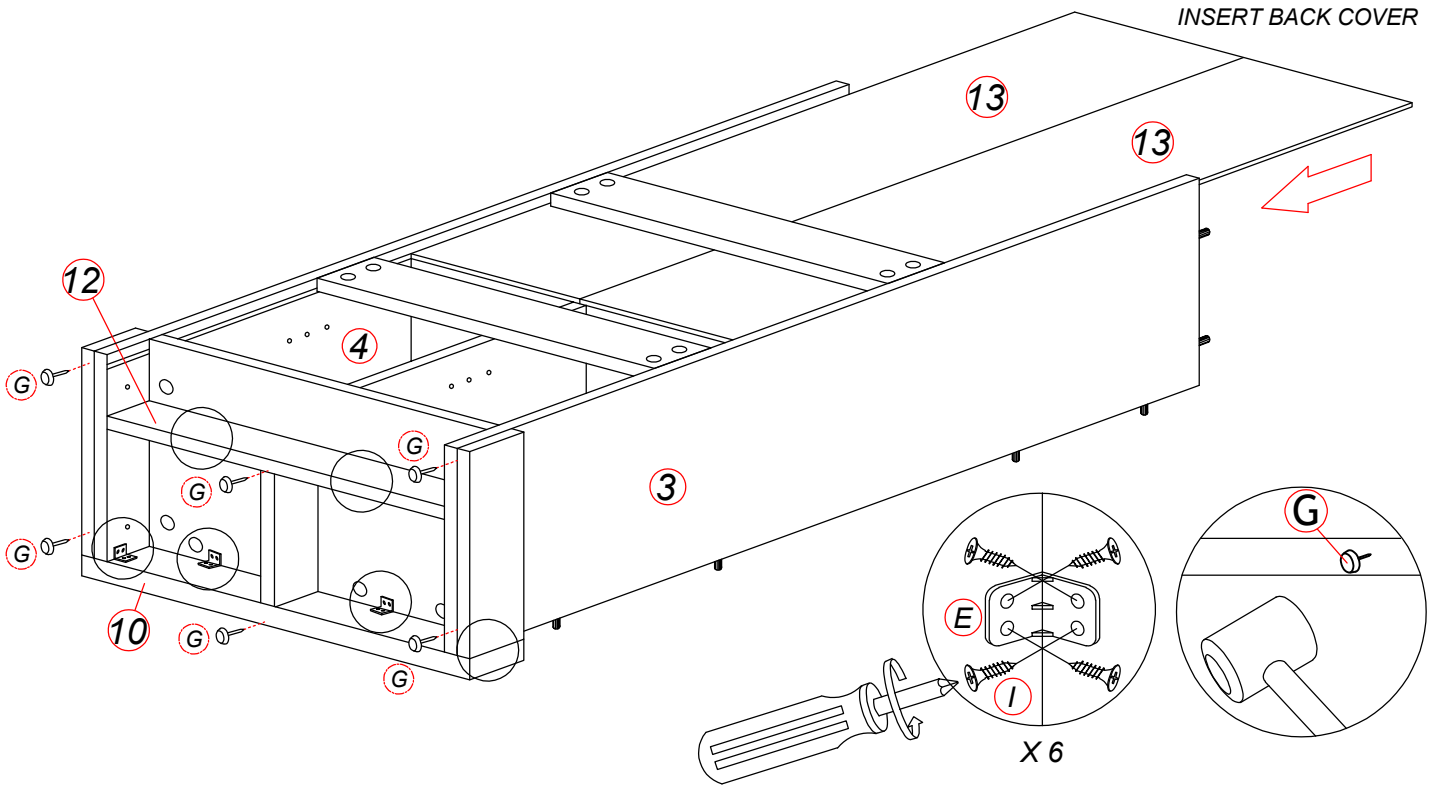
PLASE MAKE 2 PERSON.

ASSEMBLY INSTRUCTION

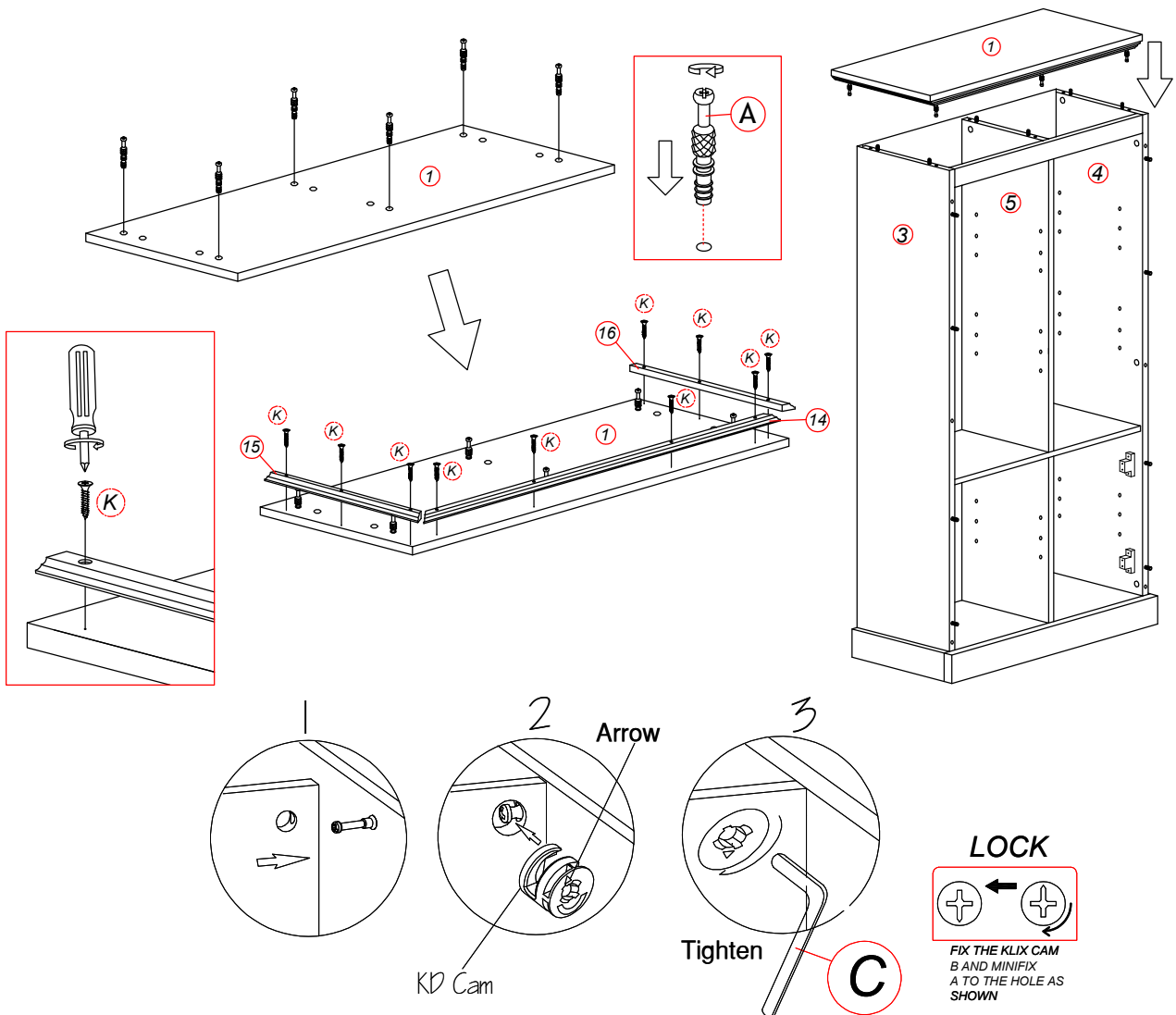
MODEL : BOOKSELF WITH DOOR

PAGE : 5 OF 6

STEP 7



STEP 8

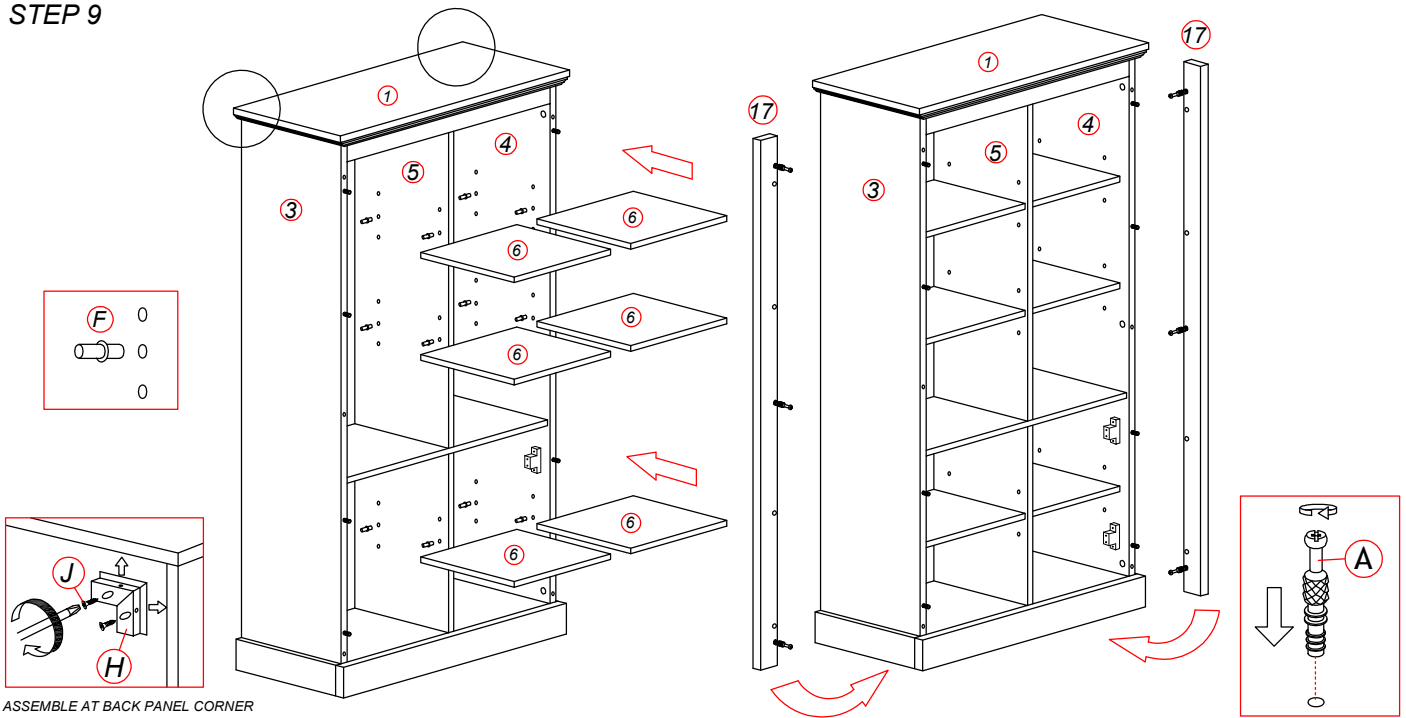


ASSEMBLY INSTRUCTION

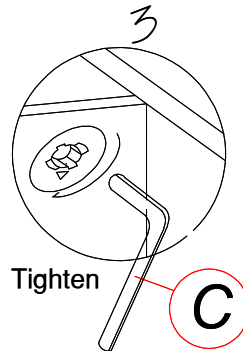
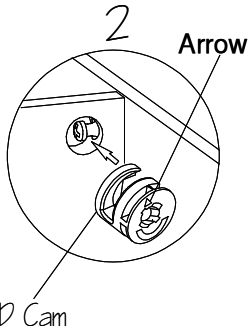
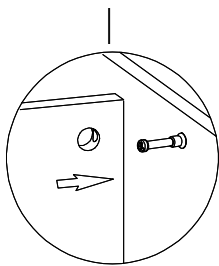
MODEL : BOOKSELF WITH DOOR

PAGE : 6 OF 6

STEP 9



STEP 1



LOCK

FIX THE KLIX CAM B AND MINIFIX A TO THE HOLE AS SHOWN

STEP 2

STEP 10

