

COMBINATION SOFA

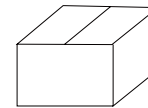
The product comes in 2 BOXES. Do not proceed with unpacking or assembly until both boxes are received.



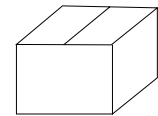
- To prevent the hardware package from being lost, a special loss-prevention cord is included. Use it to locate the hardware package.



Carton 1 of 2
(65*53.5*42cm)

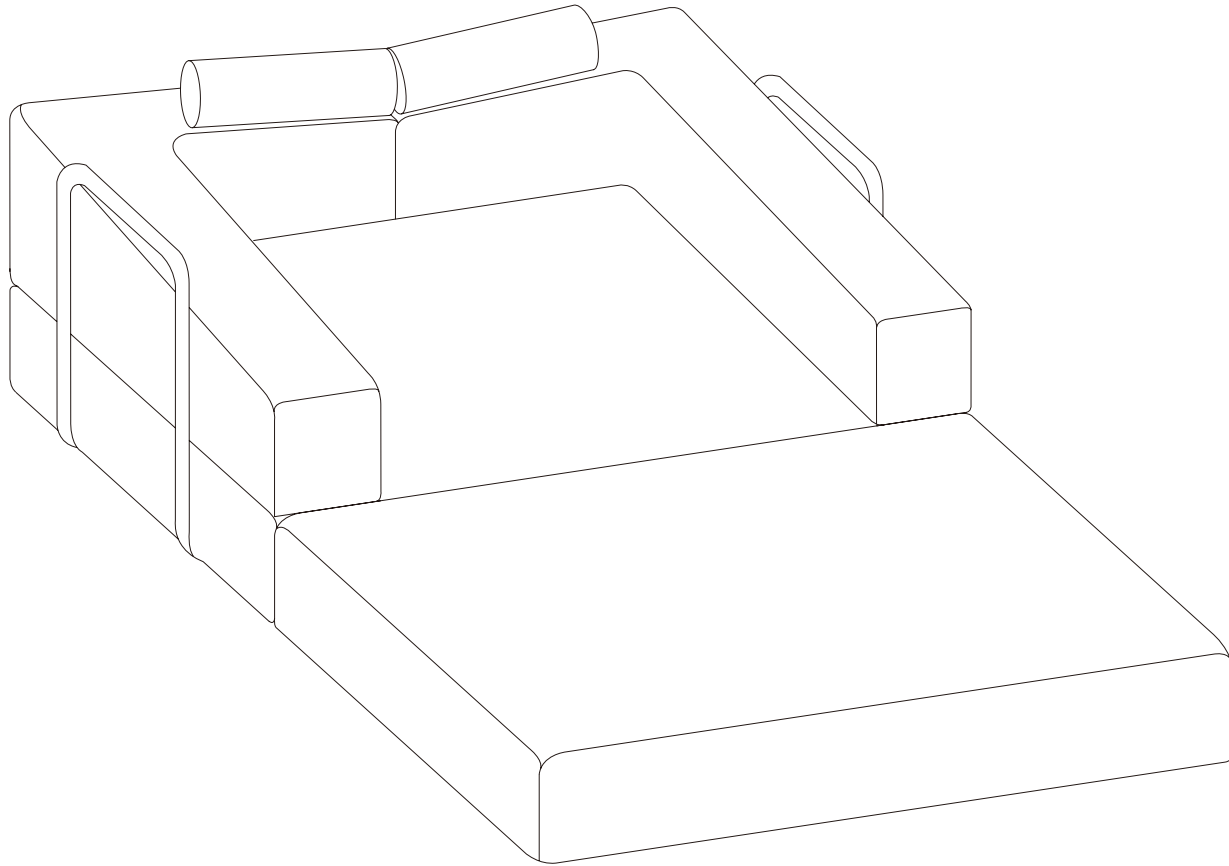


Carton 2 of 2
(108*51*47cm)



- Box identification is shown in the location indicated in the picture on the left of the outer box. The assembly guide and accessory box (including hardware, socket, lamp, and remote) are in box 1/2. Please locate all accessories from both boxes before assembly.

Assembly Instruction



1. There are 2 boxes of products, please do not further unpack and install before receiving the complete 2 boxes.
2. Assembly instructions(located in the Box1) , hardware accessories(located in the Box1). please find all hardware accessories before installation.



BEFORE INSTALLATION

Please read this guide carefully so that you are familiar with the required tools, materials and installation procedures. Please follow the applicable section to install this product to avoid unnecessary losses caused by improper installation, and be sure to read all operating and safety guidelines in addition to the correct installation method.

All information recorded in this guide is based on all current product conditions at the time of printing and we reserve the right to change product features, packaging or availability at any time without prior notice. Before installing furniture, confirm that all required electrical work has been completed.

The manual contains important installation, cleaning and maintenance aspects, so please read and keep these materials in their entirety.

Before installation, carefully inspect the new product for damage.

It should be placed on a clean, flat ground for installation to maintain balance.

This product should be protected from prolonged moisture and sun exposure.

Furniture should be wiped down frequently to keep it clean to avoid the growth of bacteria. Use a wrung out wet towel to avoid scratching the lacquer surface.

Avoid contact with corrosive liquids such as acids and alkalis.

Pay attention to product protection during installation, and handle it gently to avoid scratches.



SAFETY WARNINGS

Follow the warning information that appears on this product and the box. Do not remove the warning label.

Regularly check and confirm that all components of the product are installed in the correct position, without damage, and that all connectors are tight.

Play on or under the sofa is not allowed, and jumping on the sofa is prohibited.

Do not use replacement parts. If a part needs to be replaced, contact the manufacturer or dealer to replace the part.

No machine washing

Please keep these instructions for future reference.

Safety is a joint effort between us as a manufacturer and you as a guardian. When choosing a sofa, read and consider the warnings on the page.

Winding hazard

Winding hazard

Do not hang or attach to any part of this product anything that is not designed for this bed, includes but is not limited to hooks, belts and jump ropes.



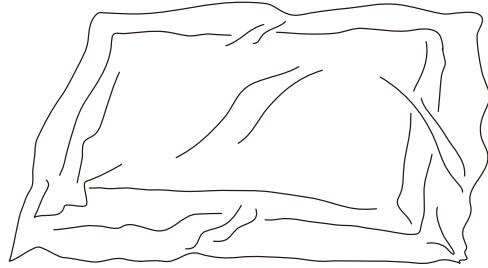
Safety and Care Advice

Important - Please read these instructions fully before starting assembly

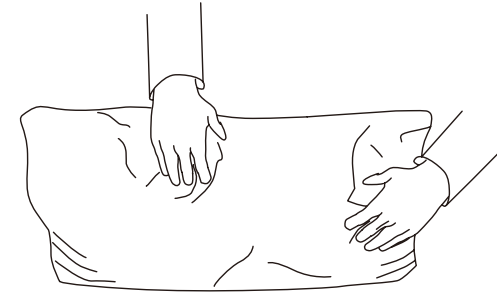
Thanks for your purchase. Before assembling, please follow the instructions to check if all the spare parts and screws are intact.

- Considering the size and weight of the sofa, we recommend two adults to assemble the sofa, on a carpeted or padded area, in the room that it is intended for. Approximate assembly time: 30 minutes.
- Please do not throw away any of the packaging or the instruction until you have checked all the components and hardware and the furniture is fully assembled. Please ensure that the packaging is disposed in a safe and environmentally friendly way.
- Keep all components and packaging out of reach of children or animals to avoid the risk of choking or suffocation.
- Please do not take off the cover, and do not wash.

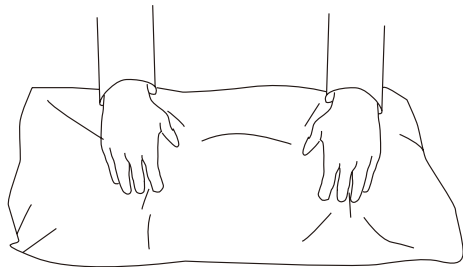
Your cushions come vacuum packed and sealed for shipping. To restore the cushion's original shape, follow the steps below.



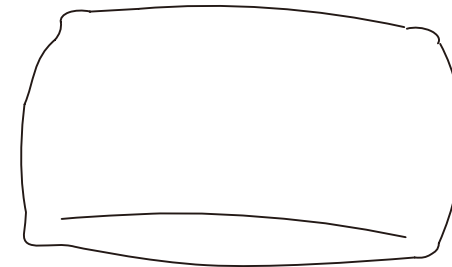
Open the vacuum bag carefully.



Press and tap with both hands from the side to fully inhale air.



Press and tap with both hands from the front to fully inflate.



Carefully smooth out each section until the surface is even.

After packing up, place them somewhere dry and ventilated. After about 72-96 hours, it can be restored to the best-use condition.

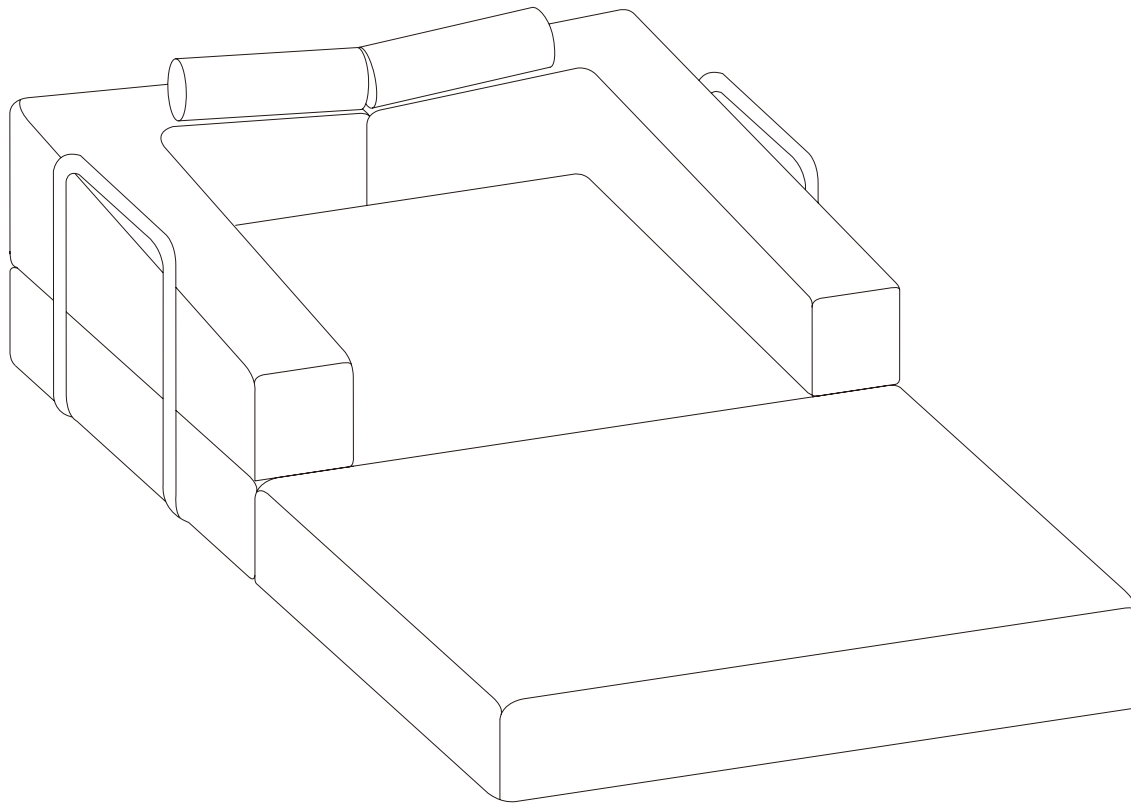
CONTEMPORARY SOFA

Assembly Instruction



NOTE:

Delivered with TWO PACKAGES with TWO TRACKINGS, may NOT be delivered at the same time.



Tape measure



Other Tools Required
· Phillips Screwdriver
(Not Included)
· Flathead Screwdriver



SIMPLE ASSEMBLY STEPS

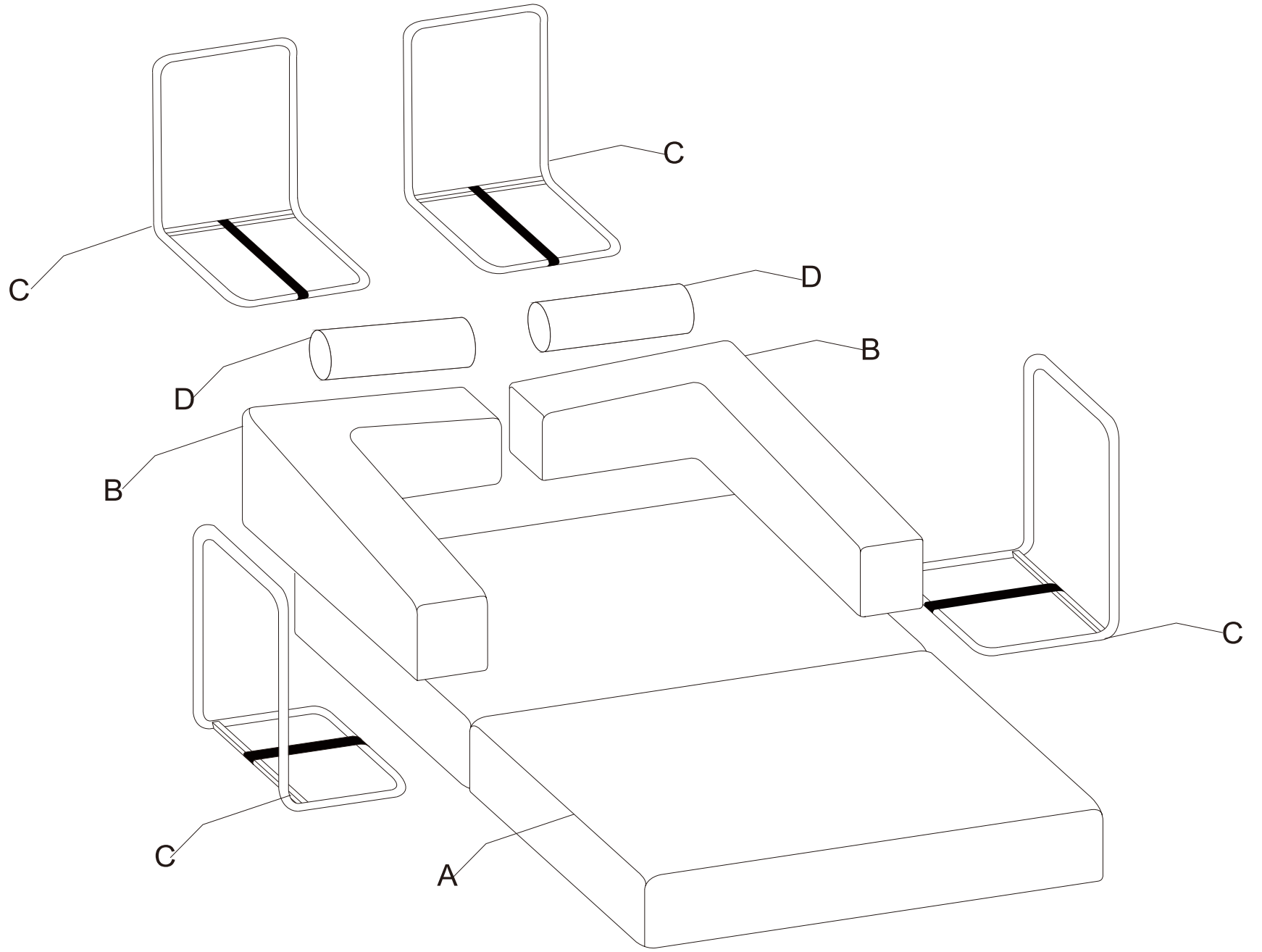
1. Read the manual carefully.
2. Check all parts and hardware.
3. Prepare necessary tools.
4. Have at least two adults for assembly.

Please follow the instructions and use a sanitary napkin to protect the product during your assembly process.

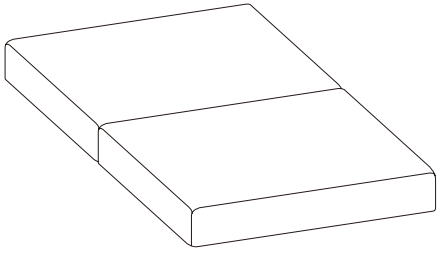
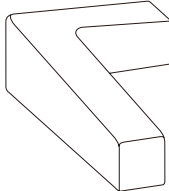
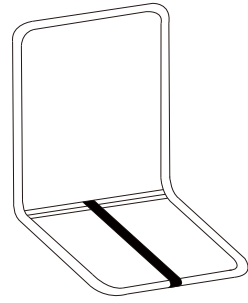


Note:

1. The assembly should be done on a flat surface to maintain balance.
 2. Do not tighten the screws before the assembly is complete.
- To make the assembly process easier and better, two or more adults are needed.

Important - Please read these instructions fully before starting assembly.

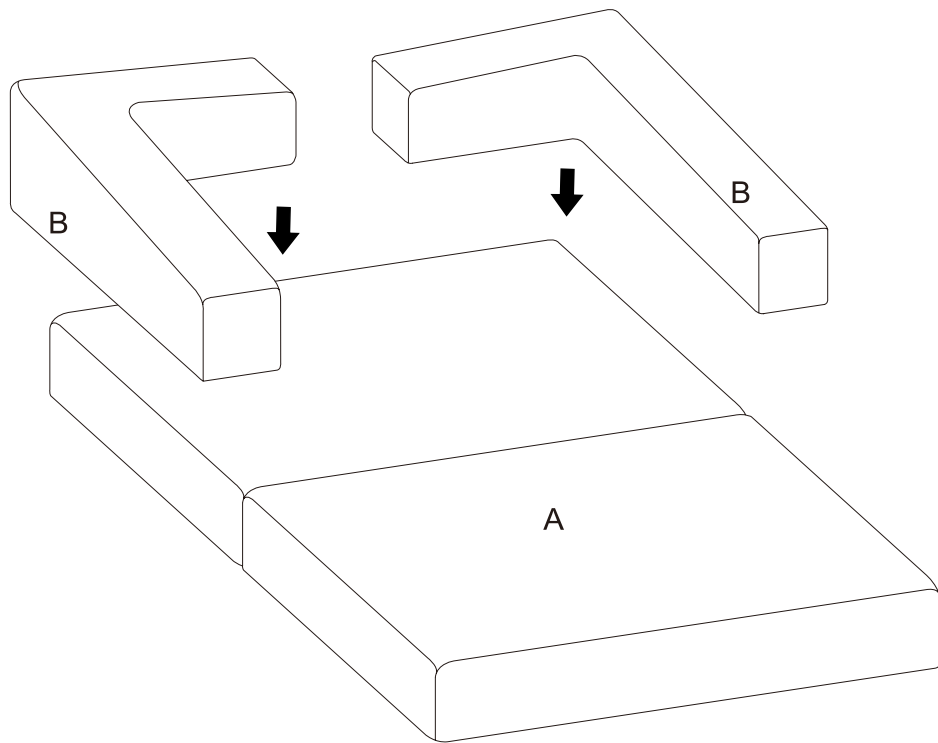


Main Structure Accessories

<p>Ax1</p> 	<p>Bx2</p> 	<p>Cx4</p> 	<p>Dx2</p> 
<p>Ex2</p> 			

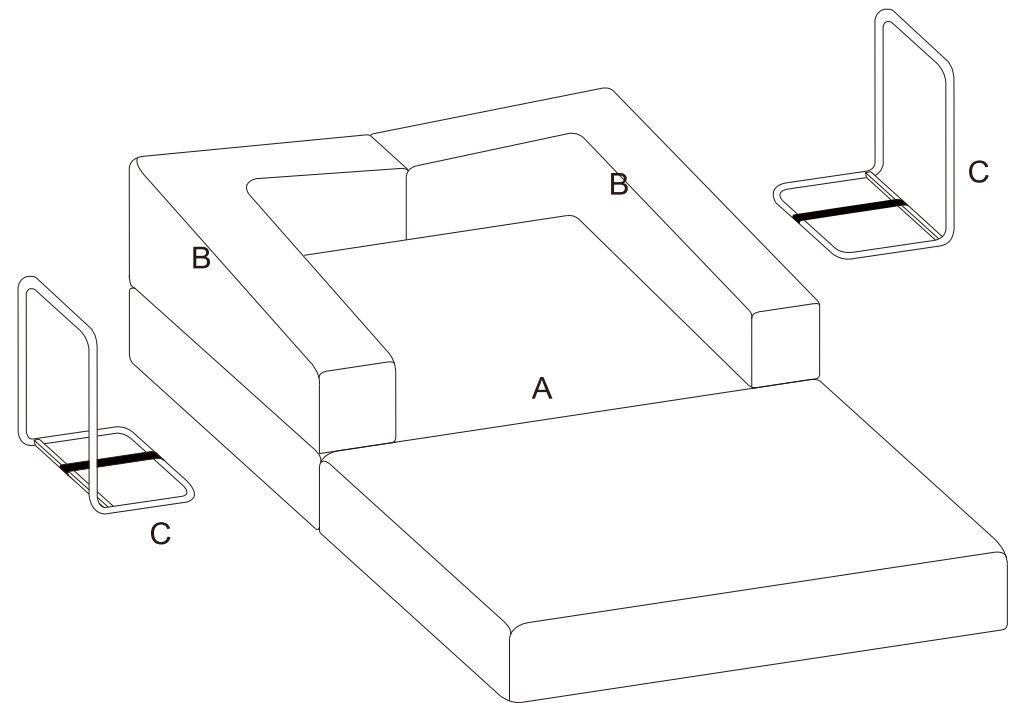
<p>1</p>  <p>Remove from box</p>	<p>2</p>  <p>Cut outer white wrapper</p>	<p>3</p>  <p>Unroll the mattress</p>	<p>4</p>  <p>Remove plastic</p>	<p>5</p>  <p>Wait for expand</p>
---------------------------------------------------------------------------------------------------------------------------	------------------------------------------------------------------------------------------------------------------------------------	---------------------------------------------------------------------------------------------------------------------------------	-----------------------------------------------------------------------------------------------------------------------------	------------------------------------------------------------------------------------------------------------------------------

STEP: 1



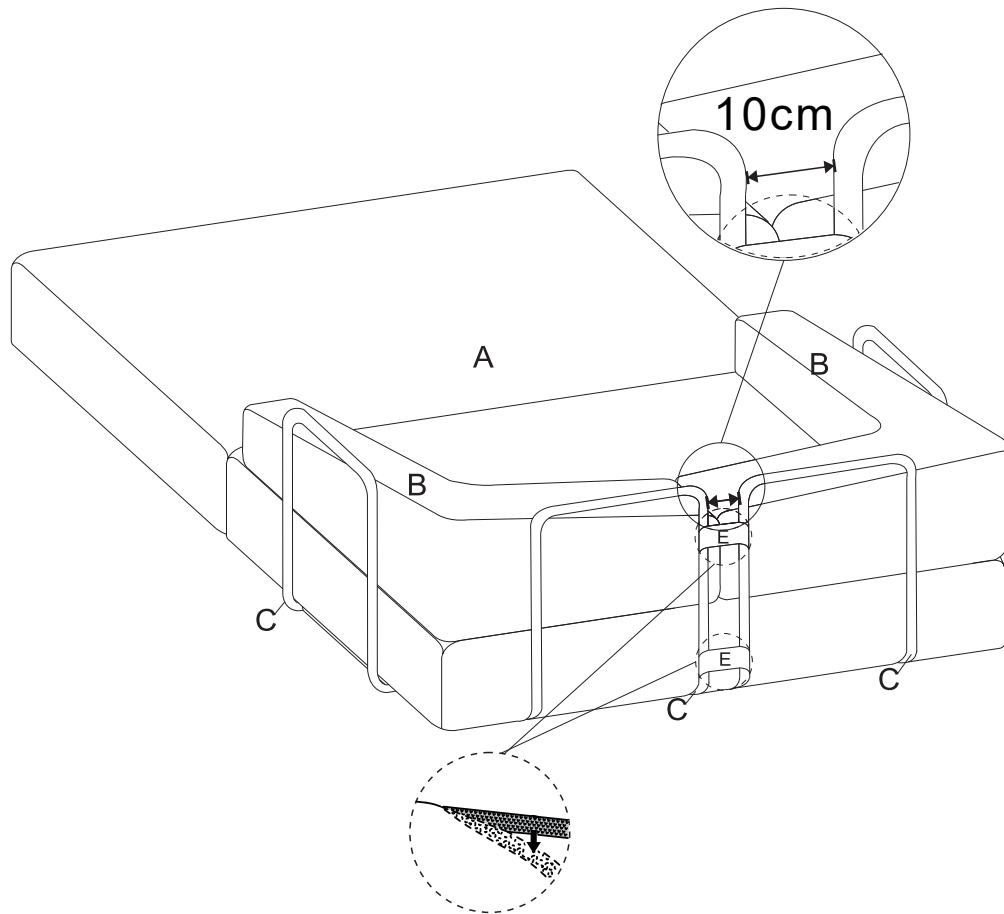
Assemble B with A

STEP: 2



Insert C into the bottom of A.

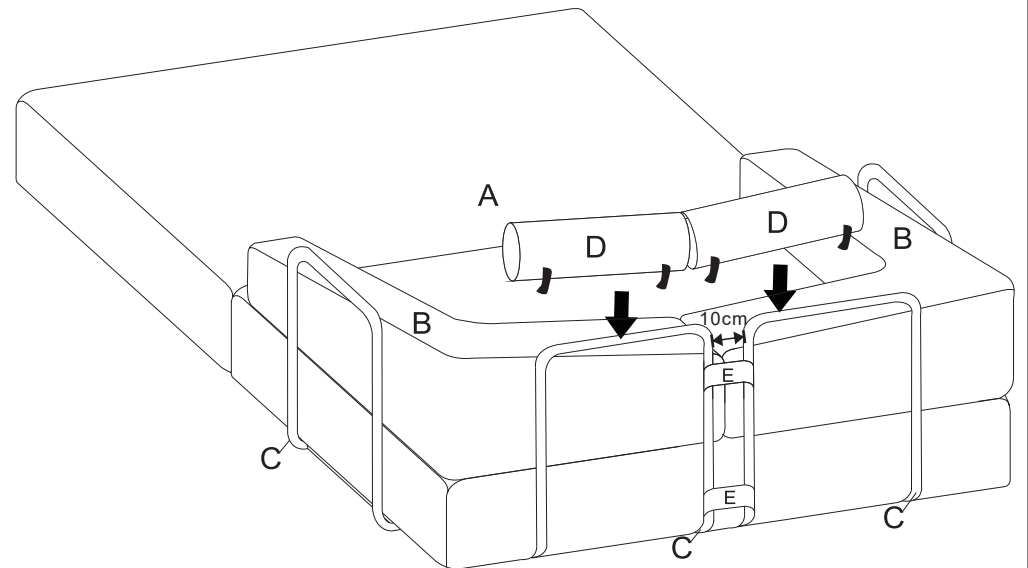
STEP: 3



Use Nylon Fastener to secure it in place.

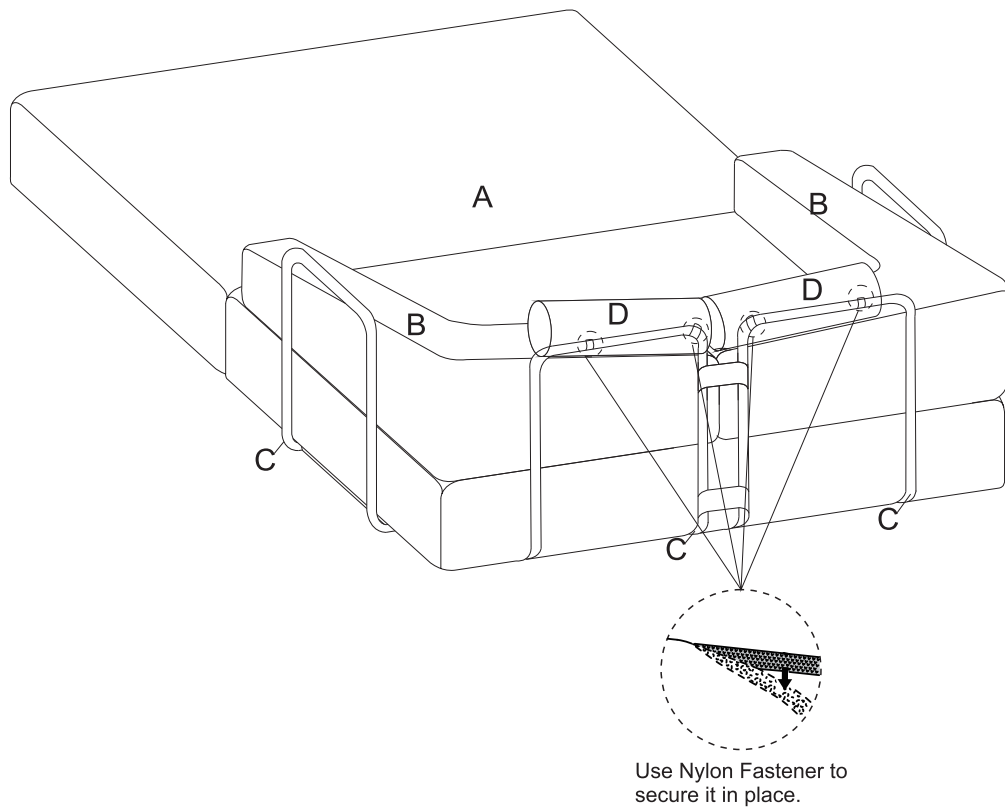
Insert C into the bottom of A, fix E onto C, and secure it with Nylon Fastener. (Note: The distance between C components is 10cm.)

STEP: 4



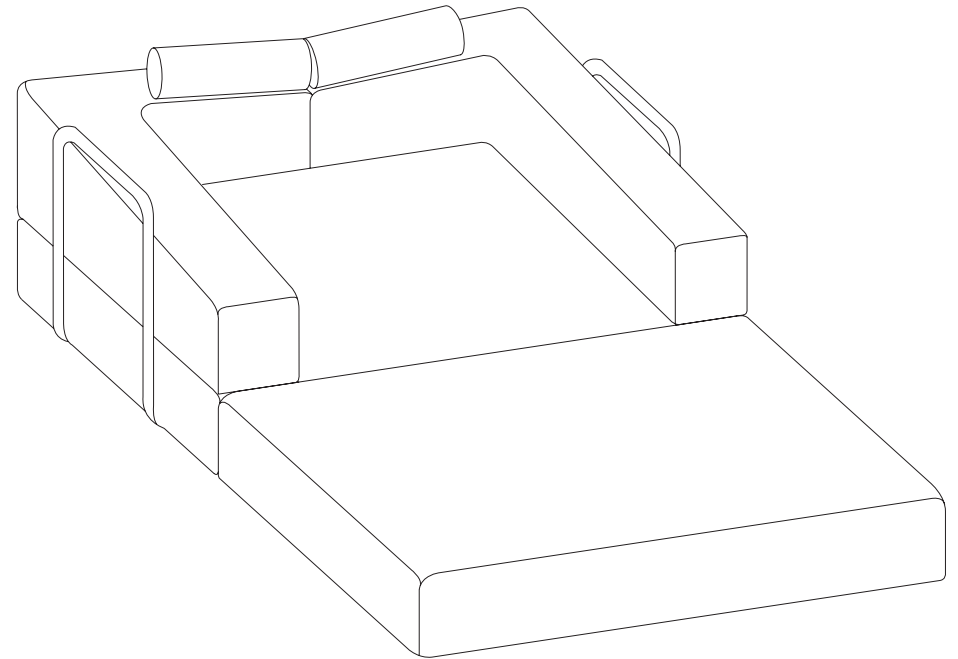
Align D with the two C iron frames and place it on B.

STEP: 5



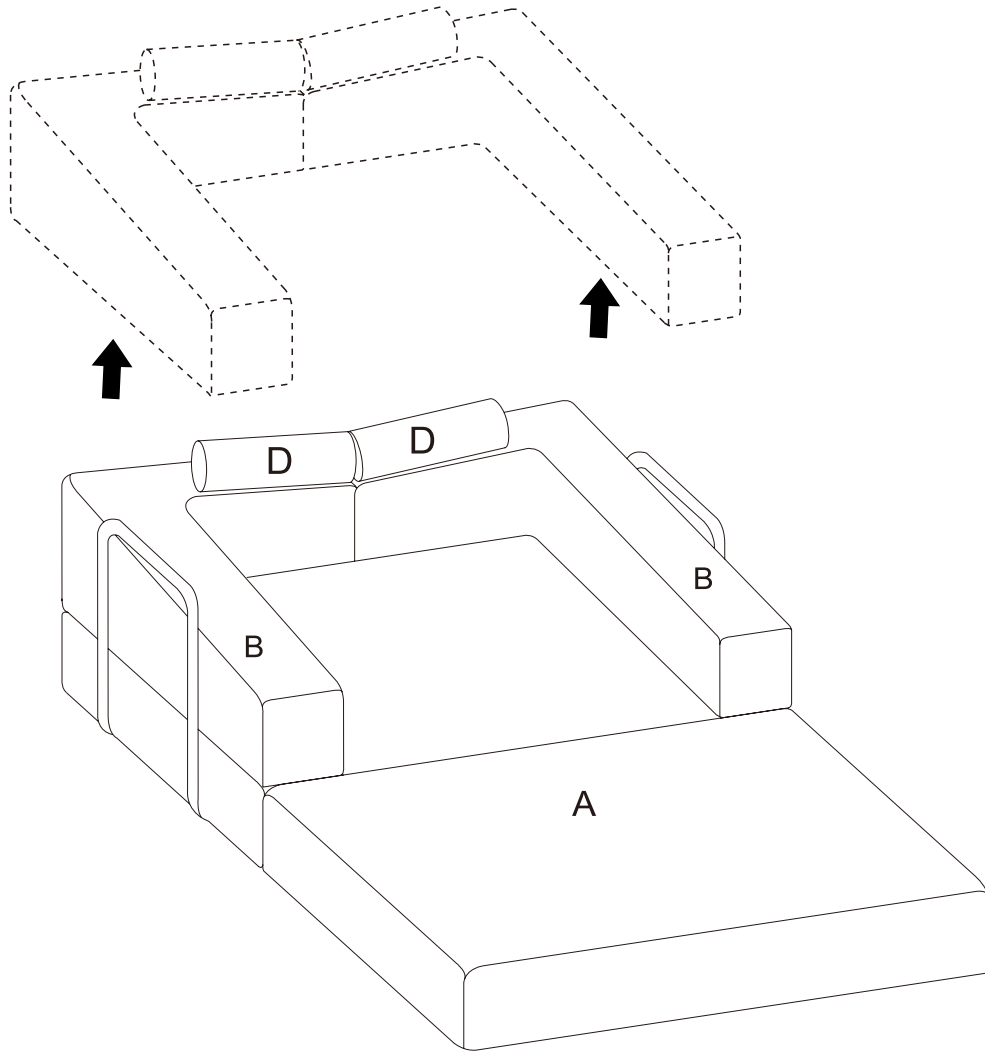
Tie D to C and secure it with Nylon Fastener.

STEP: 6



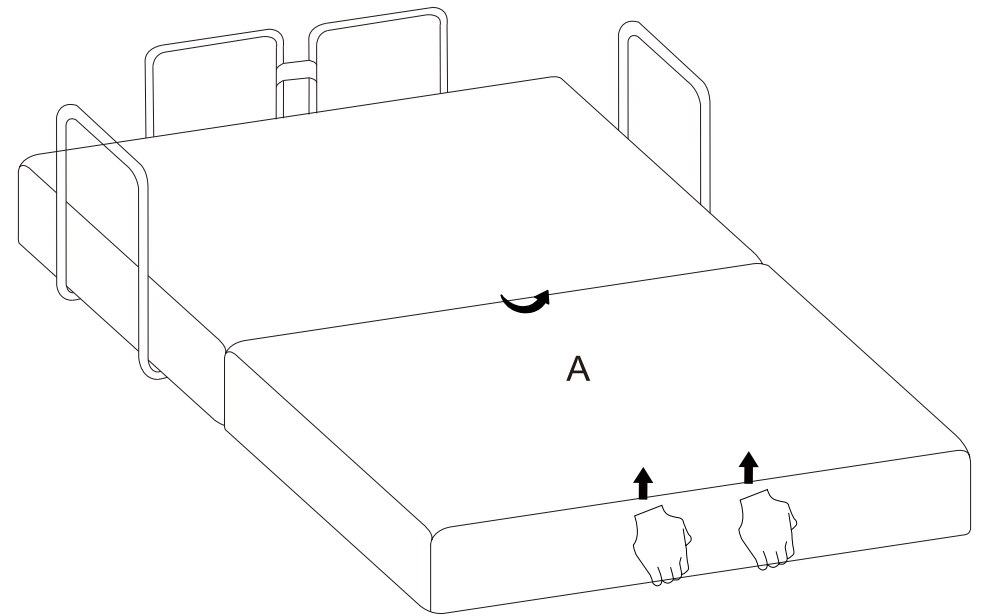
The bed assembly is complete.

STEP: 7



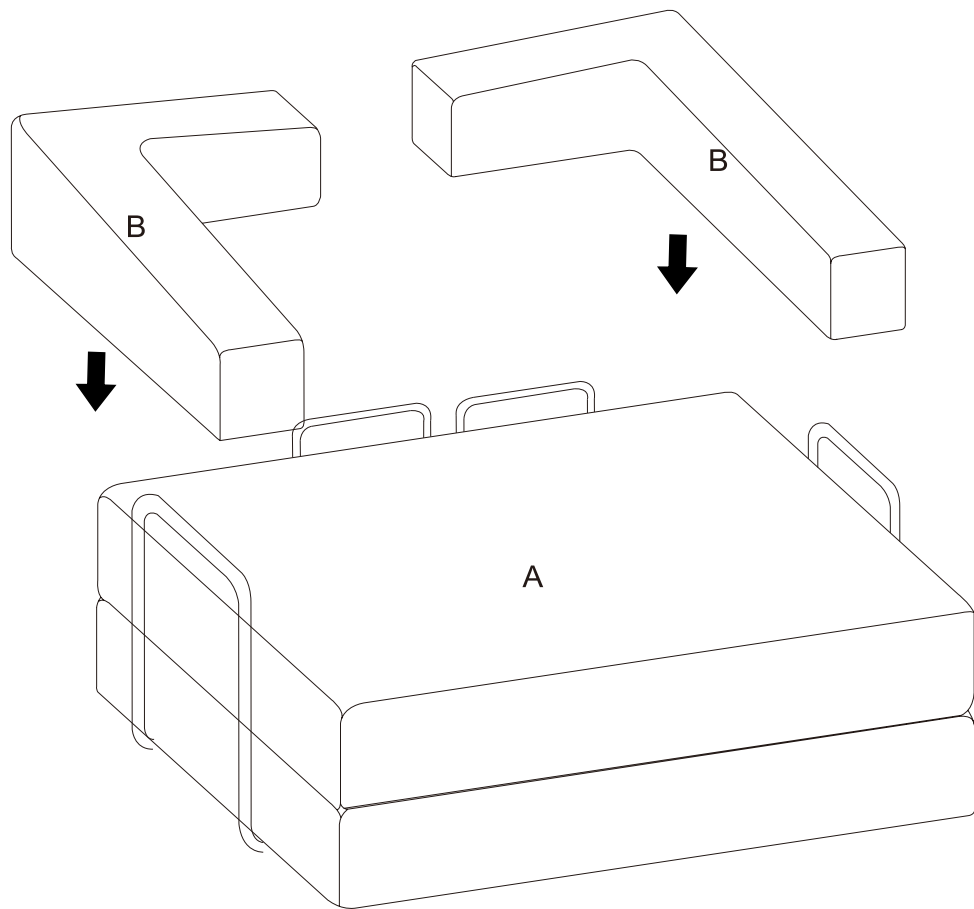
Remove B and D.

STEP: 8



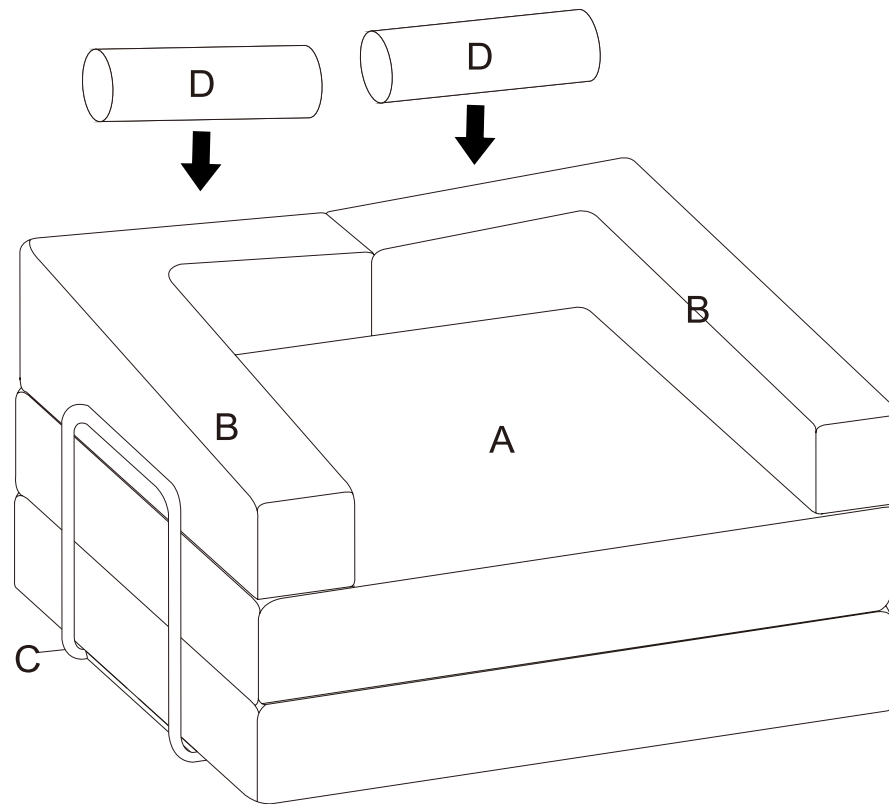
Flip A up from the front and fold it.

STEP: 9



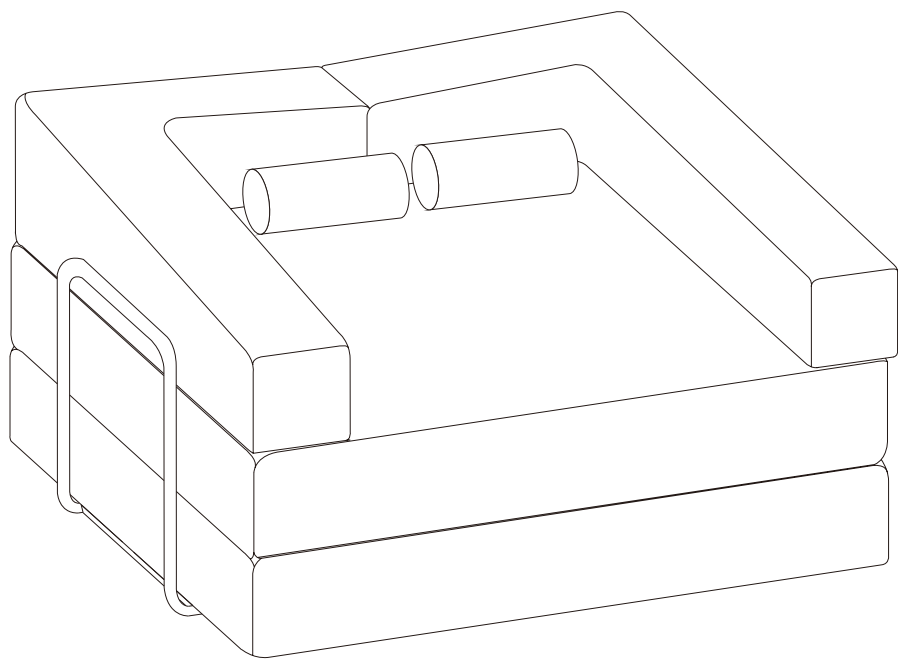
Place B on top of A.

STEP: 10

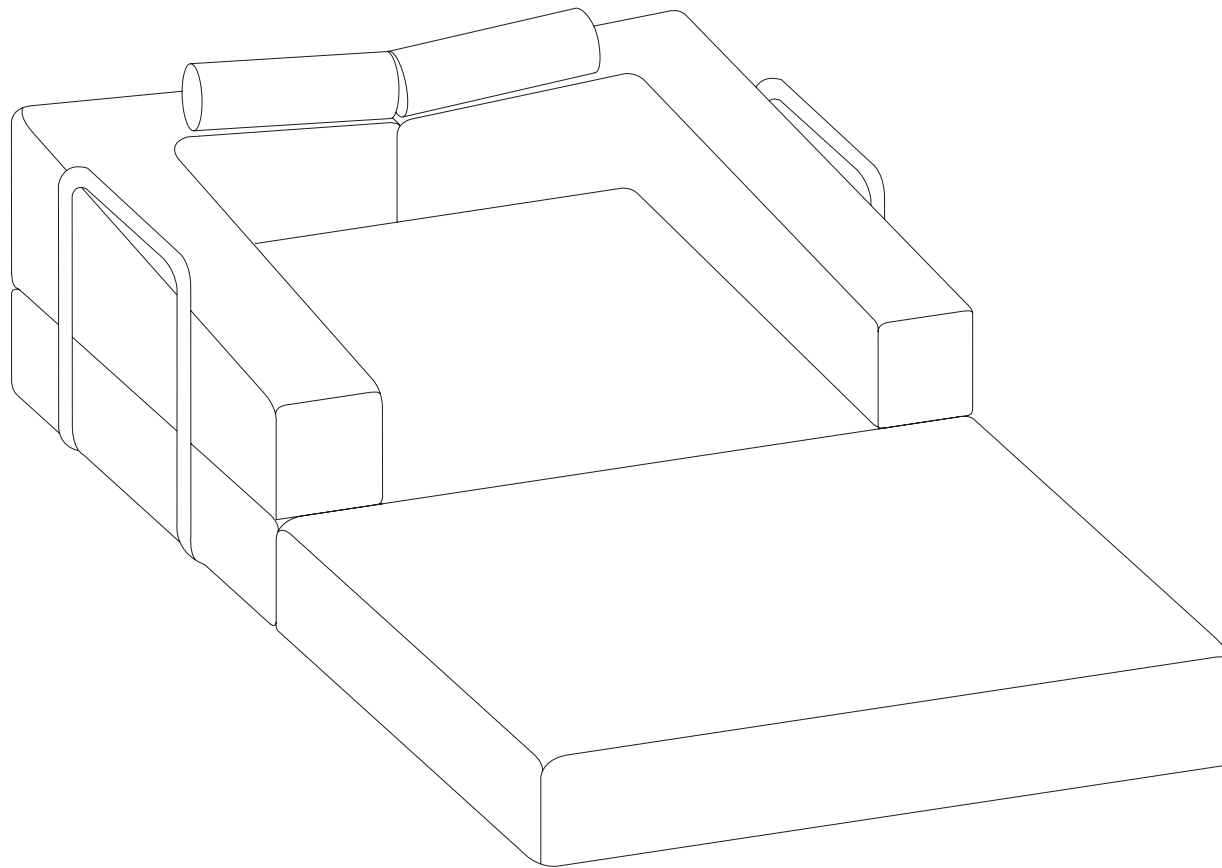


Place D on top of A.

STEP: 11



The sofa assembly is complete.



1. Keep a gap of 0.5-1 cm between the wall part of the sofa and the wall.
2. Avoid direct sunlight, preferably placed in a place that can avoid sunlight, or use translucent tulle curtains to block the sun.
3. Vacuum at least once a week, paying particular attention to removing dust accumulation between fabric structures.
4. Sofa cushions are turned over once a week to evenly distribute wear.
5. If stained, use a clean cloth dipped in water to wipe, in order to avoid leaving marks, it is best to wipe from the periphery of the stain. Velvet furniture should not be dipped in water, should use dry cleaning agent.
6. All cloth covers and bushings should be dry-cleaned, not washed, not bleached.
7. If you find loose thread, do not tear it with your hand, it is best to cut the thread neatly with scissors