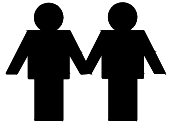


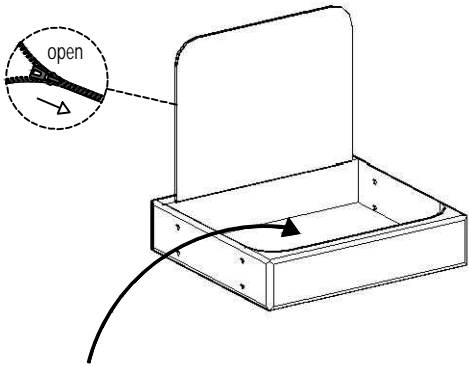
D-S02-L ASSEMBLY INSTRUCTION



① M8x60 x10	② x2	③ x2	④ M8/12 x2
⑤ x2	⑥ Ø20xØ8 x12	⑦ 5# x1	⑧ 14# x1

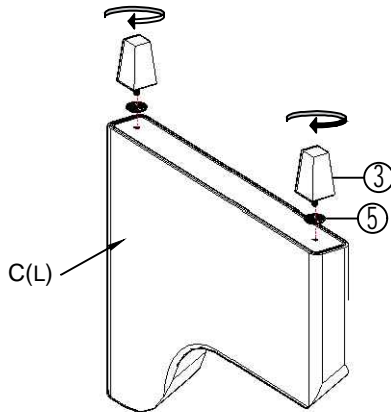


1)

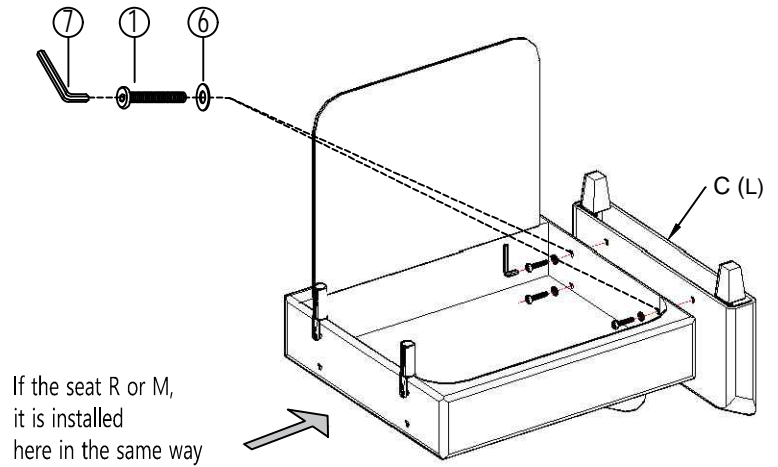


After opening, you will find inside all the elements required for assembling

2)



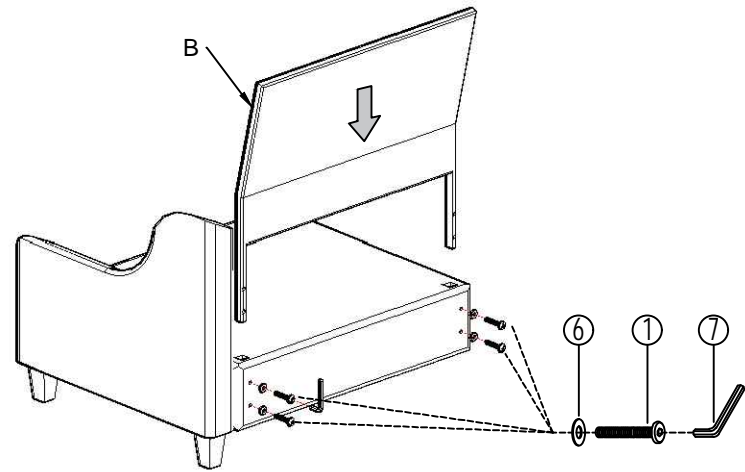
4)



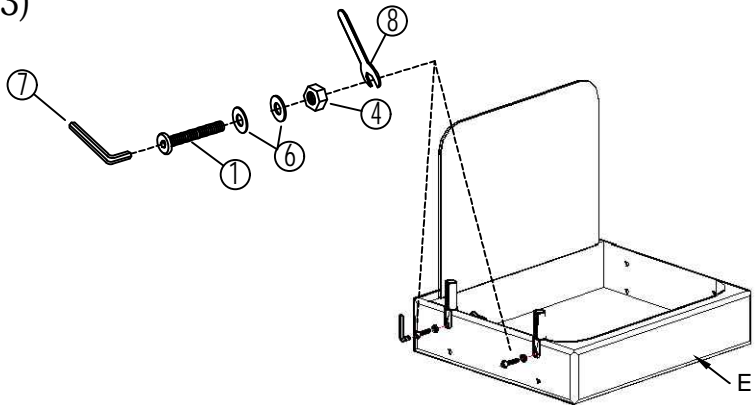
If the seat R or M, it is installed here in the same way



5)



3)



6)

