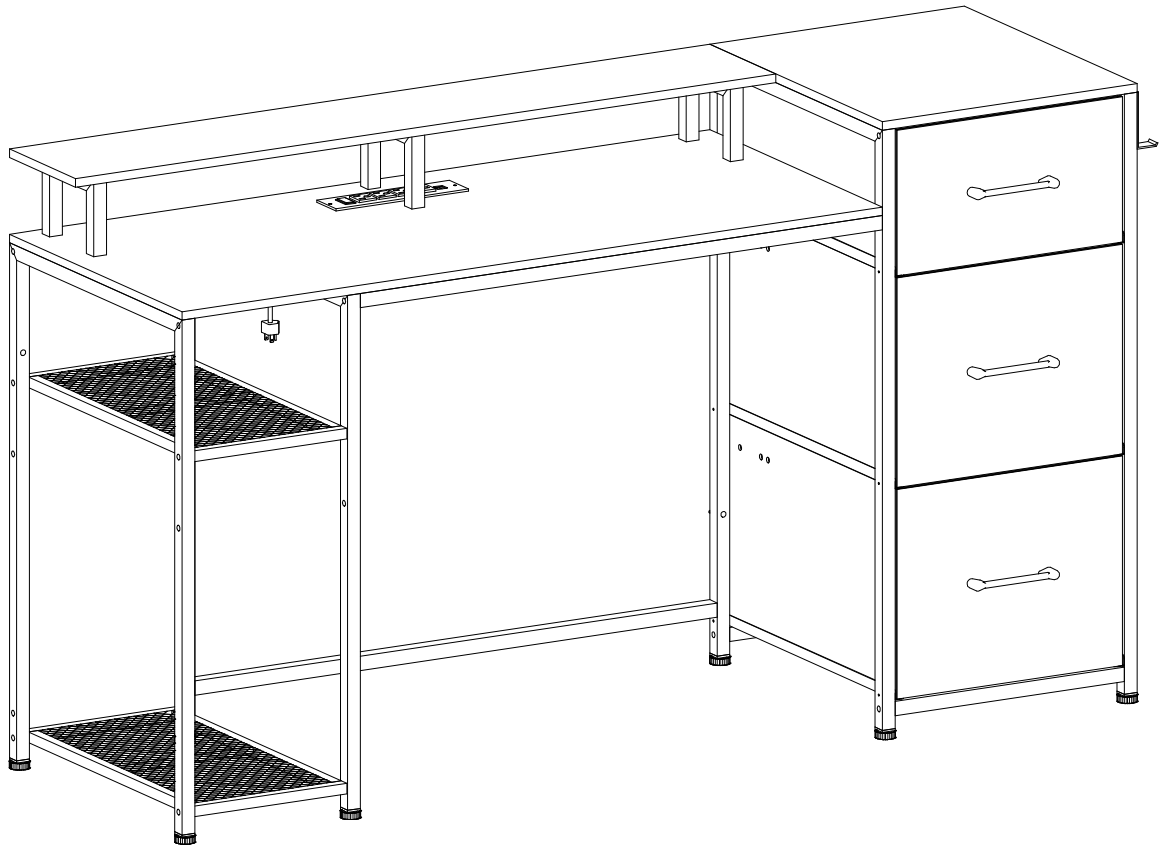
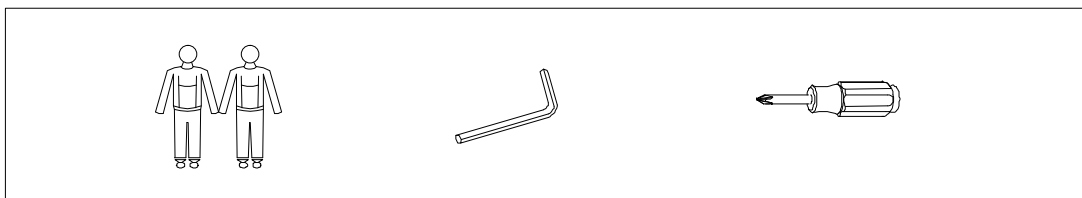


Computer Desk



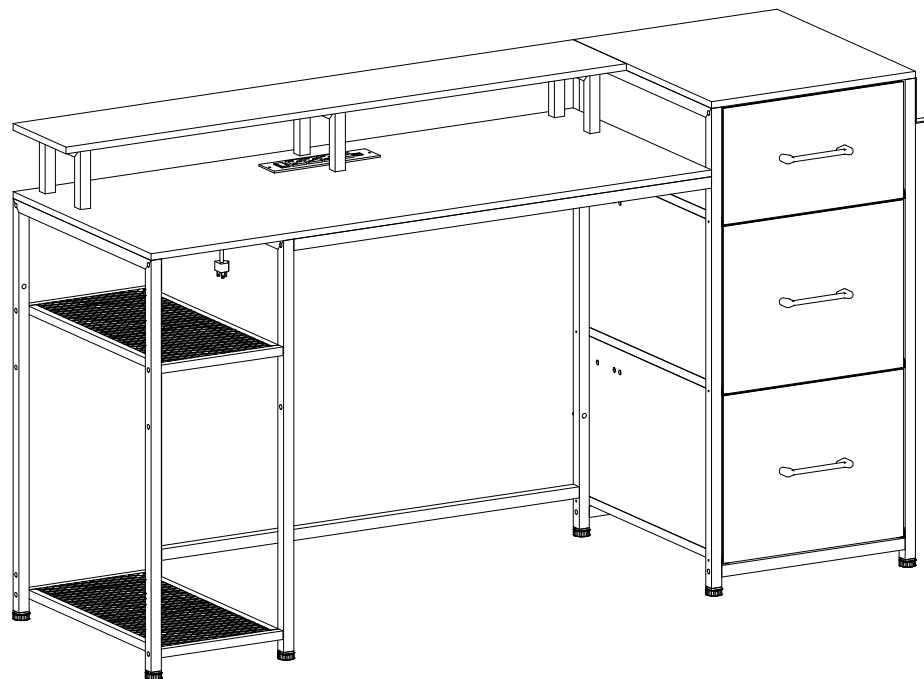
Warning: Please read this instruction manual carefully before using the product.



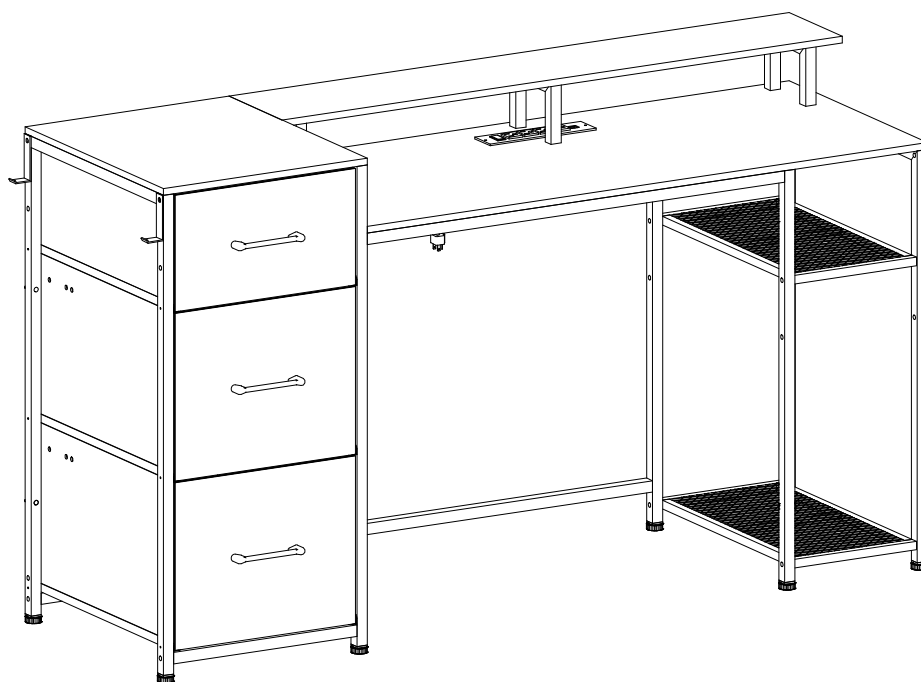
GAUTION:When tightening the screws,tighten sequentially.
Do not tighten any screws fully and then towards the next one.
When every part is OK,then tighten all the screws.

ASSEMBLY INSTRUCTION FOR COMPUTER DESK

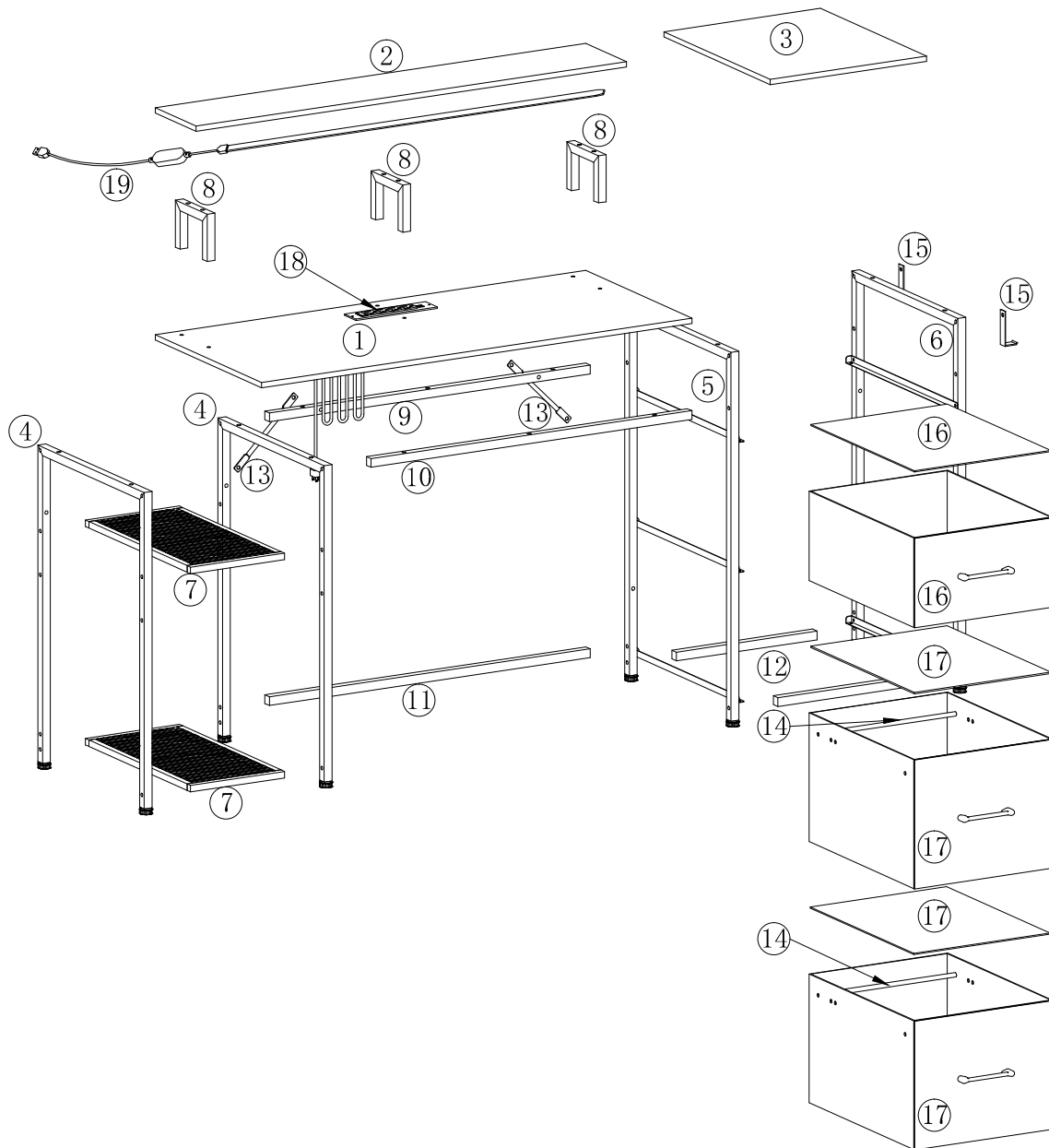
Installation method I



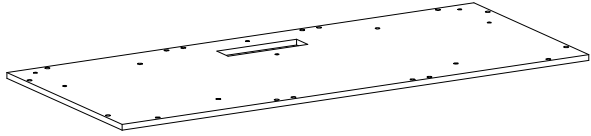
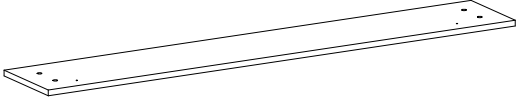
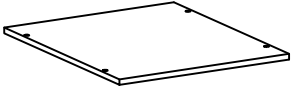
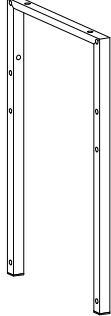
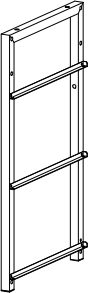
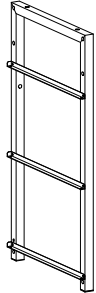

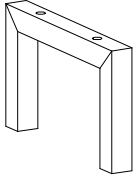




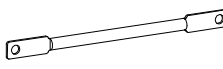


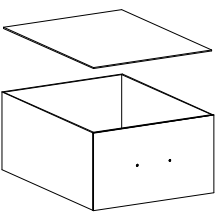
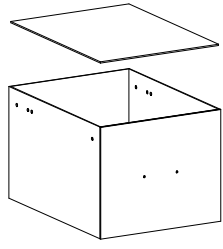
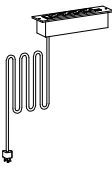
Installation method II



ASSEMBLY INSTRUCTION FOR COMPUTER DESK

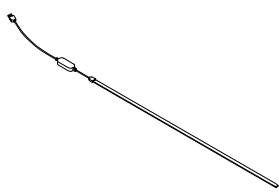


ASSEMBLY INSTRUCTION FOR COMPUTER DESK

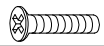

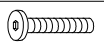

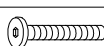

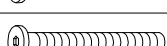

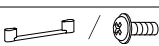
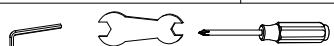
<p>①</p>  <p>1PC</p>	<p>②</p>  <p>1PC</p>		
<p>③</p>  <p>1PC</p>	<p>④</p>  <p>2PCS</p>	<p>⑤</p>  <p>1PC</p>	<p>⑥</p>  <p>1PC</p>
<p>⑦</p>  <p>2PCS</p>	<p>⑧</p>  <p>3PCS</p>	<p>⑨</p>  <p>1PC</p>	<p>⑩</p>  <p>1PC</p>
<p>⑪</p>  <p>1PC</p>	<p>⑫</p>  <p>2PCS</p>	<p>⑬</p>  <p>2PCS</p>	<p>⑭</p>  <p>4PCS</p>
<p>⑮</p>  <p>2PCS</p>	<p>⑯</p>  <p>1PC</p>	<p>⑰</p>  <p>2PCS</p>	<p>⑱</p>  <p>1PC</p>

ASSEMBLY INSTRUCTION FOR COMPUTER DESK

19



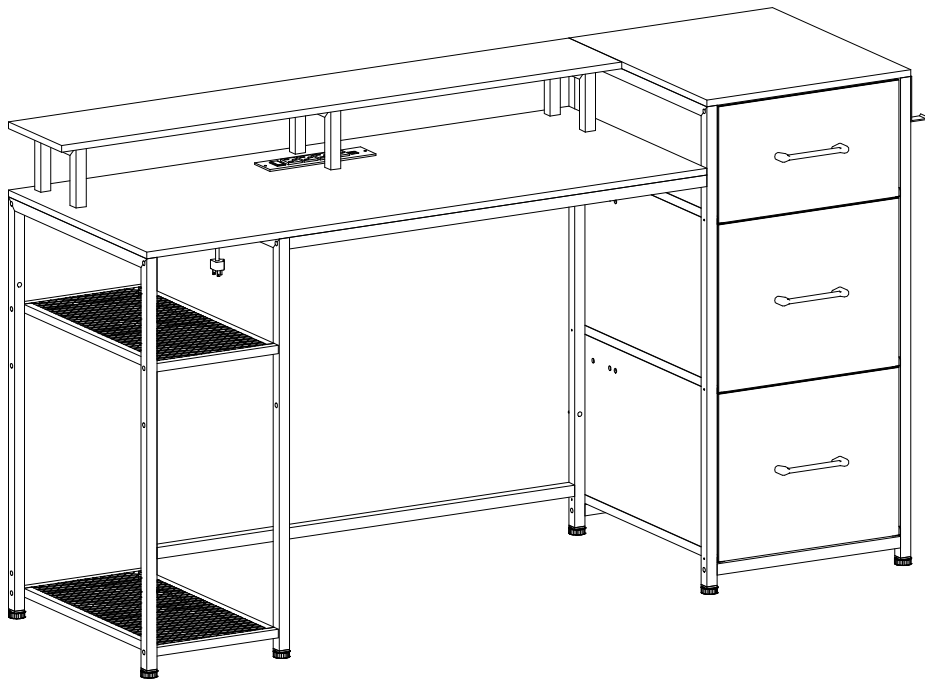
1PC

serial number	schematic diagram	Specification	quantity	serial number	schematic diagram	Specification	quantity
A		M6x20	8	G		M3.5x10	3
B		M6x25	20	H		M6	8
C		M6x30	12	I			1
D		M6x40	18				
E		M6	6				
F		9906-96/M4x10	3/6				

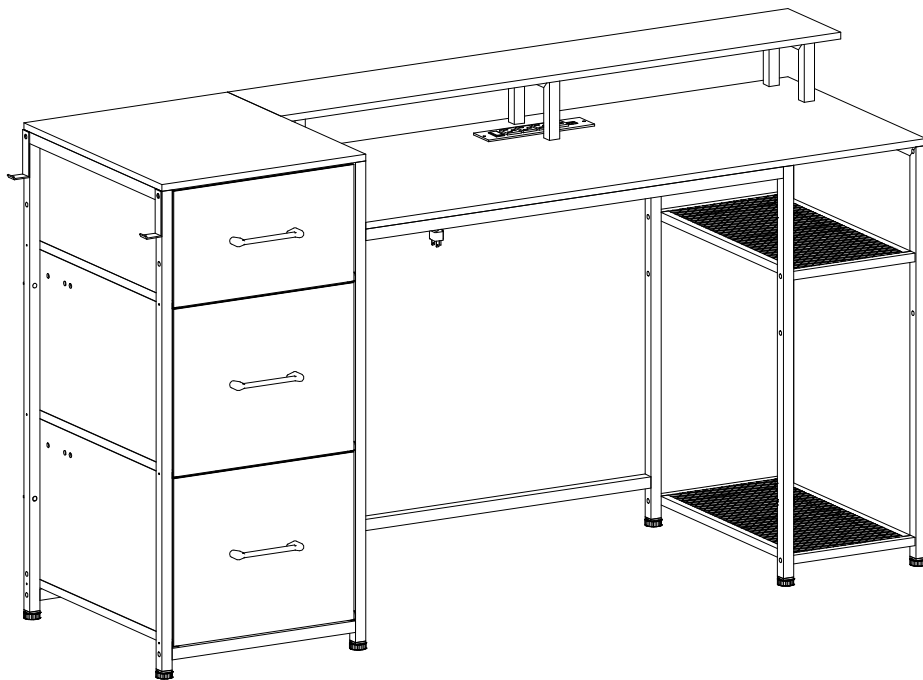
ASSEMBLY INSTRUCTION FOR COMPUTER DESK

This computer desk has two different installation methods, please choose one of the installation methods and install it according to its unique assembly method.

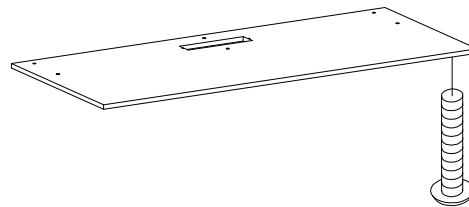
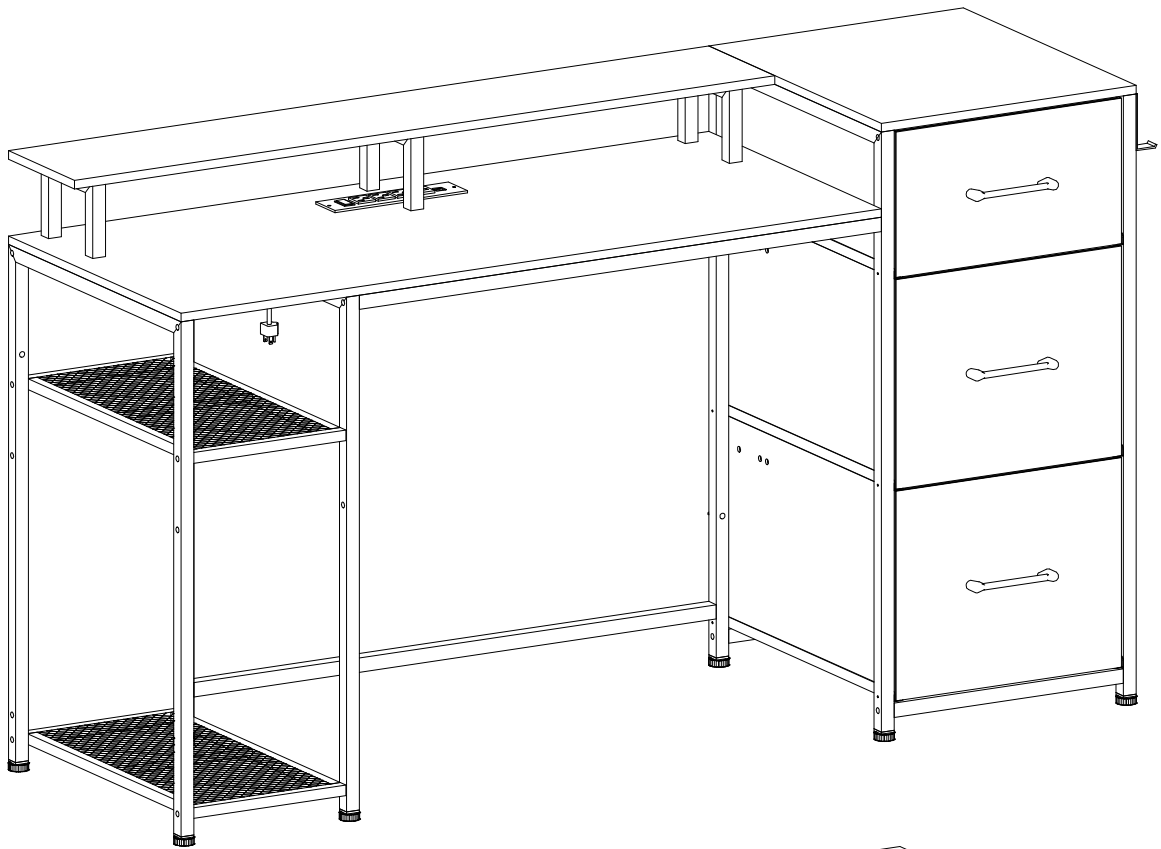
Installation method I: Please refer to Step 8~Step 14



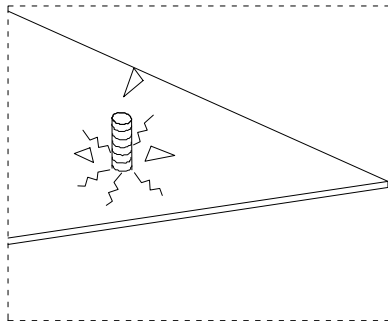
Installation method II: please refer to Step 15~Step 21



ASSEMBLY INSTRUCTION FOR COMPUTER DESK

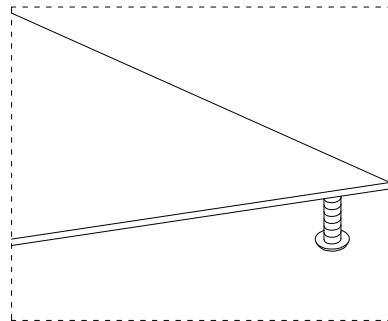


Make sure to use the correct screws to avoid damaging components



✘

Wrong size screw can split the board



✔

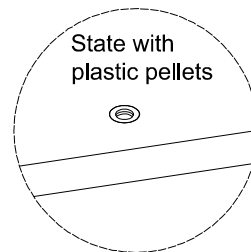
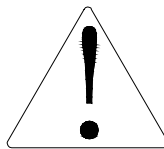
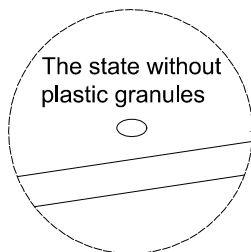
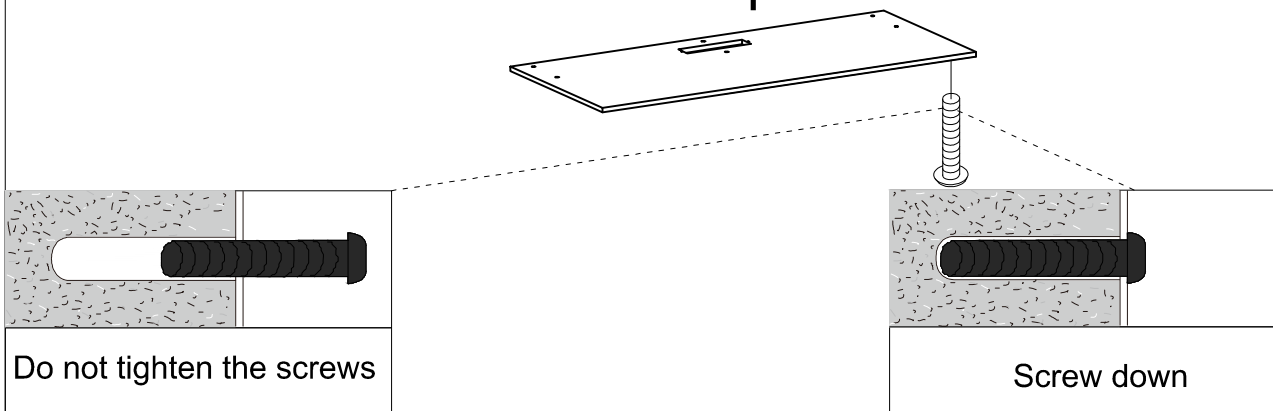
Correct screw size is correct

ASSEMBLY INSTRUCTION FOR COMPUTER DESK

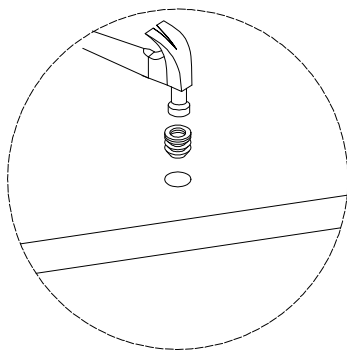
Matters needing attention

- (1) When installing the screws in the installation step, the screws do not need to be tightened. After this installation step is confirmed and the holes are aligned, then tighten all the screws.
- (2) If the screws are tightened during the installation process, it will cause problems such as misalignment of the screw holes and misalignment of the board in subsequent installations.

example



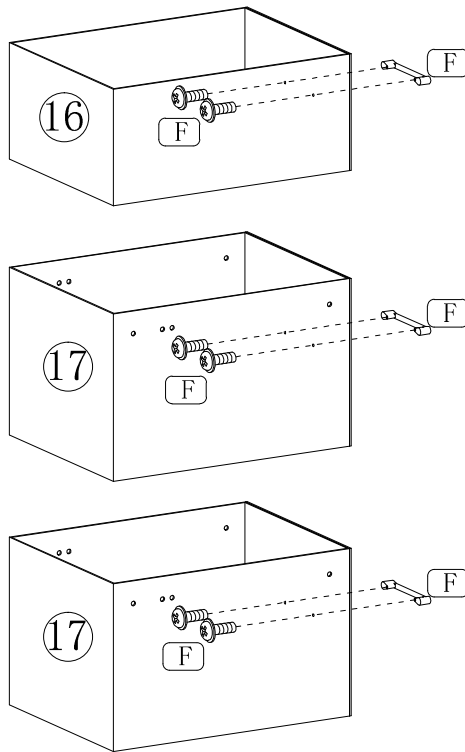
Note that if you find that there are no plastic granules on the wooden block, the table cannot be assembled, please don't worry, please use the spare plastic granules in the screw bag

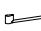



Note, please use a tool to carefully align the plastic pellets with the holes and then knock them down

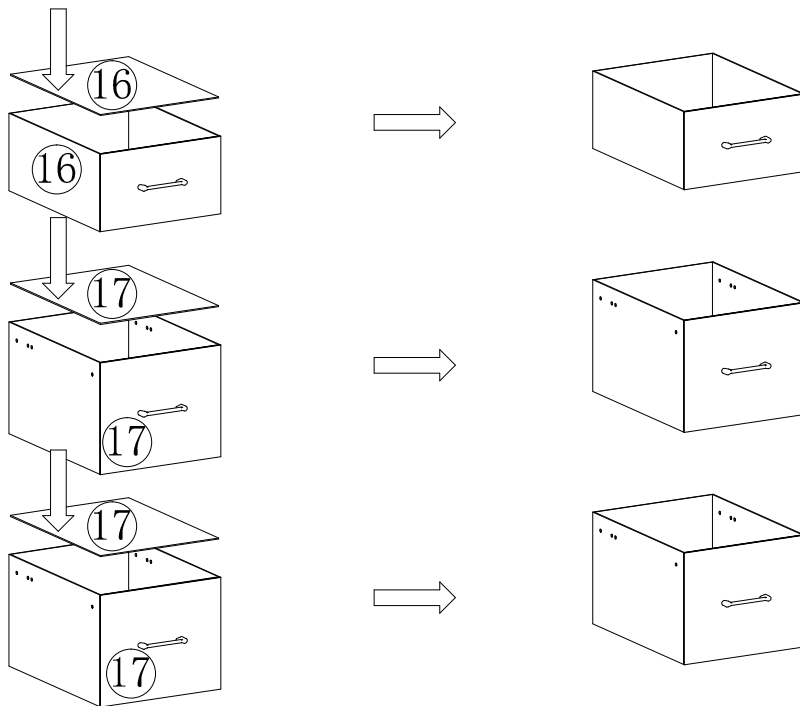
ASSEMBLY INSTRUCTION FOR COMPUTER DESK

STEP1



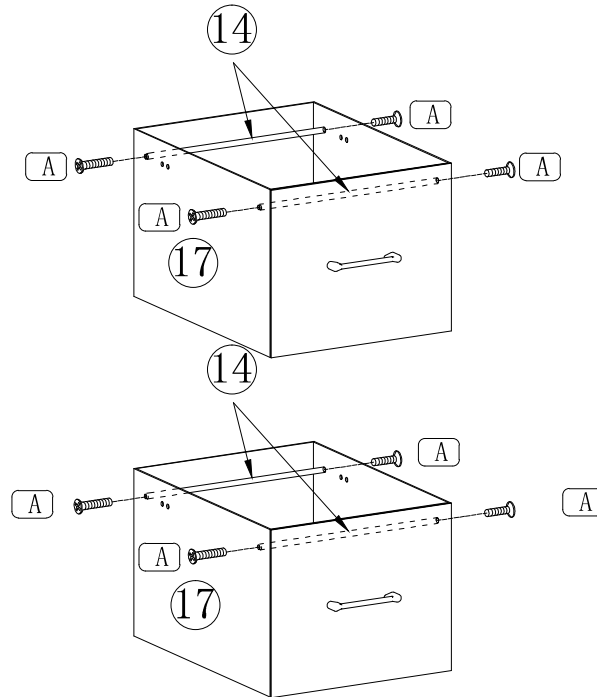
F  9906-96 3 /  M4x10 6

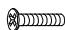
STEP2



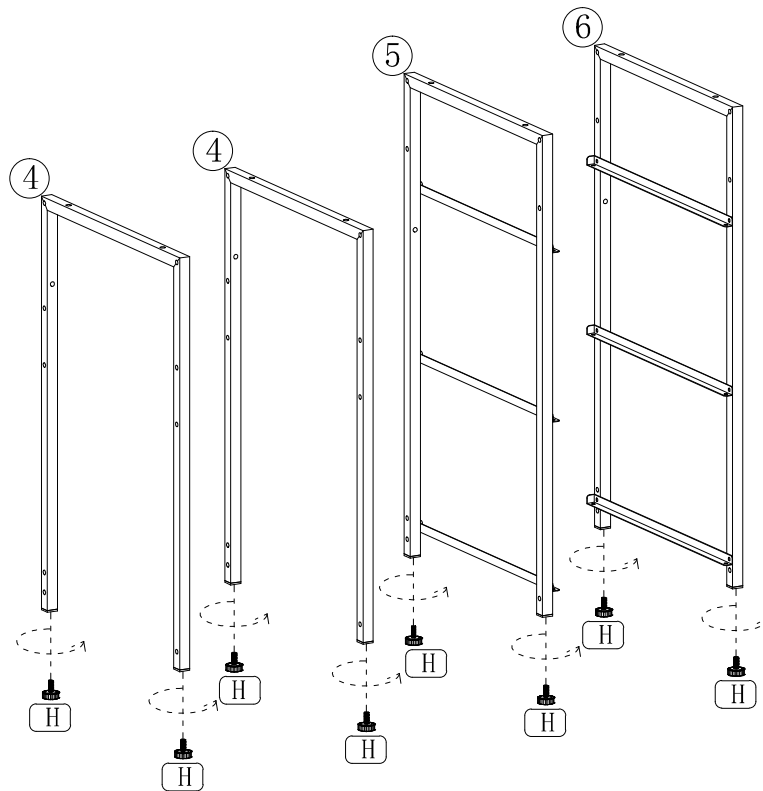
ASSEMBLY INSTRUCTION FOR COMPUTER DESK

STEP3



A  M6x20 8

STEP4

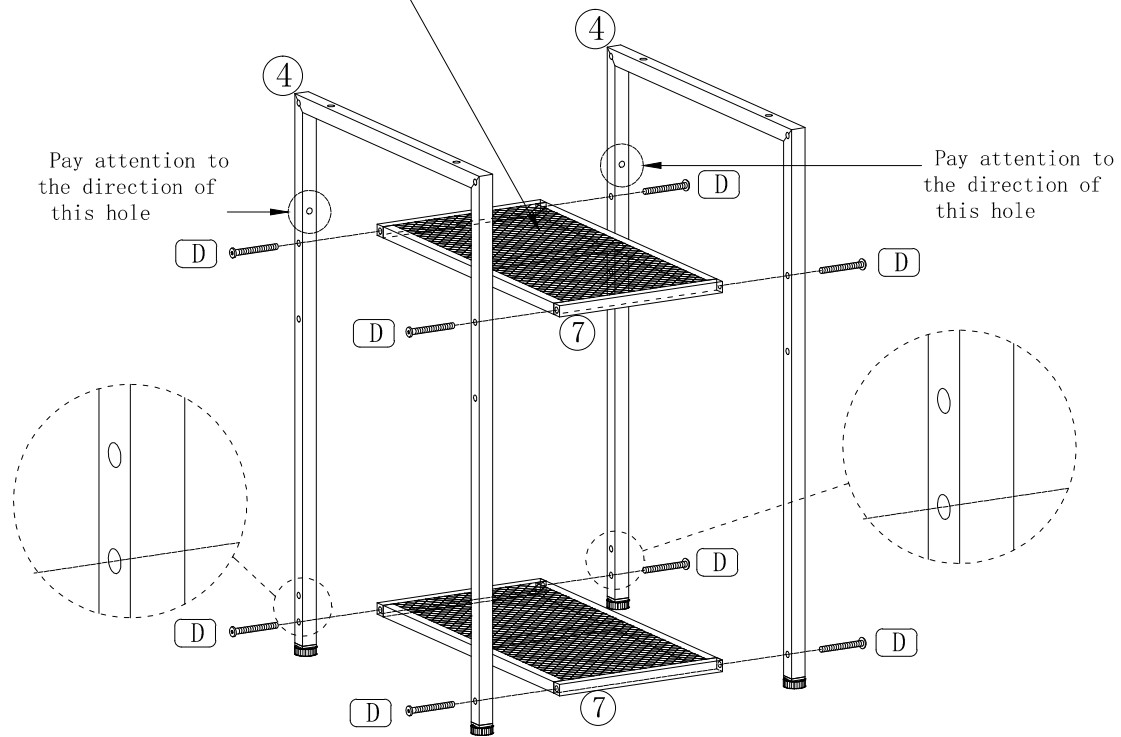


H  M6 8

ASSEMBLY INSTRUCTION FOR COMPUTER DESK

STEP5

Please pay attention to the installation direction of part "7",
with the flat side facing up

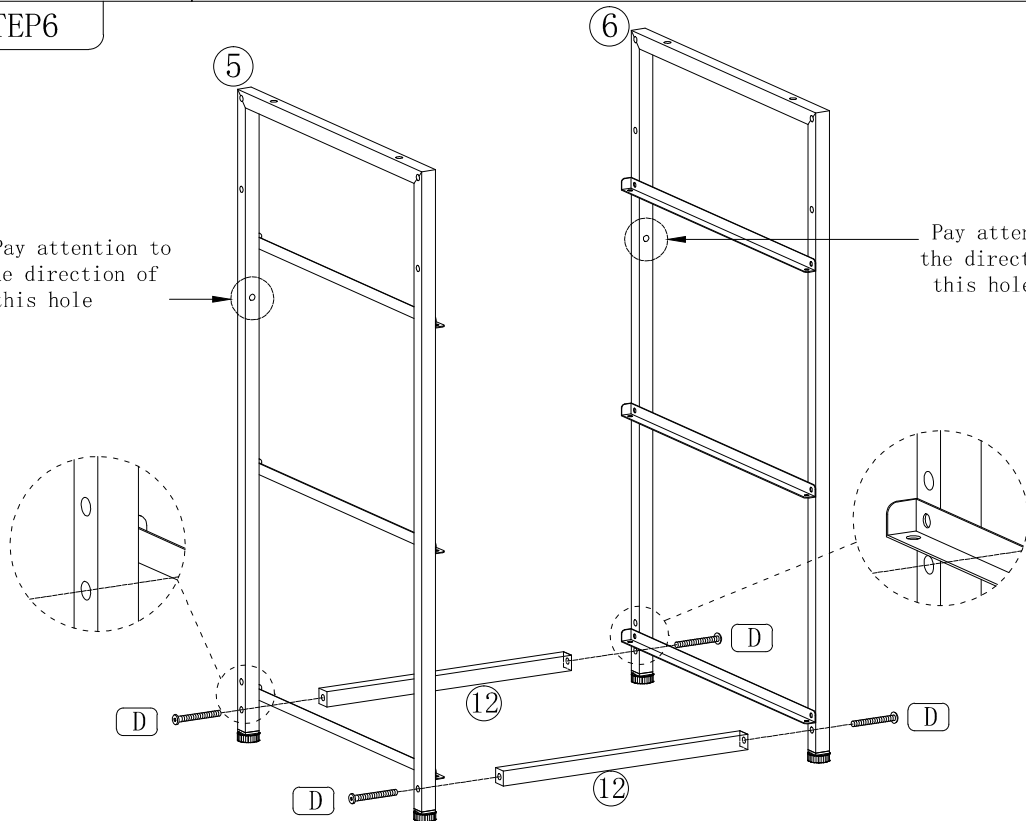


D  M6x40 8

STEP6

Pay attention to the direction of this hole

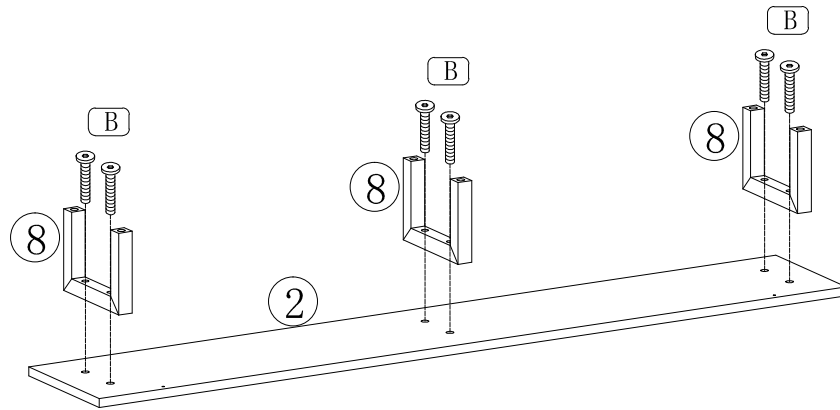
Pay attention to the direction of this hole




D  M6x40 4

ASSEMBLY INSTRUCTION FOR COMPUTER DESK

STEP 7

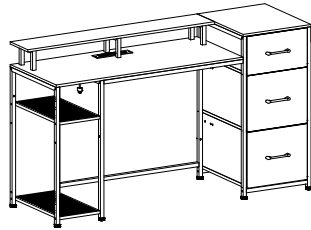


B  M6x25 6

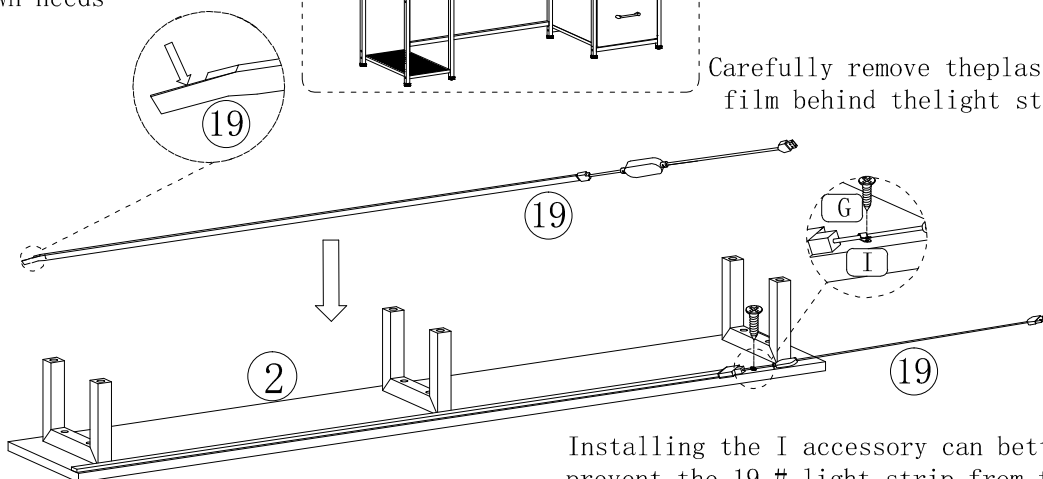
STEP 8

The light strip can be pasted to the desired position according to your own needs

Installation method I



Carefully remove the plastic film behind the light strip.



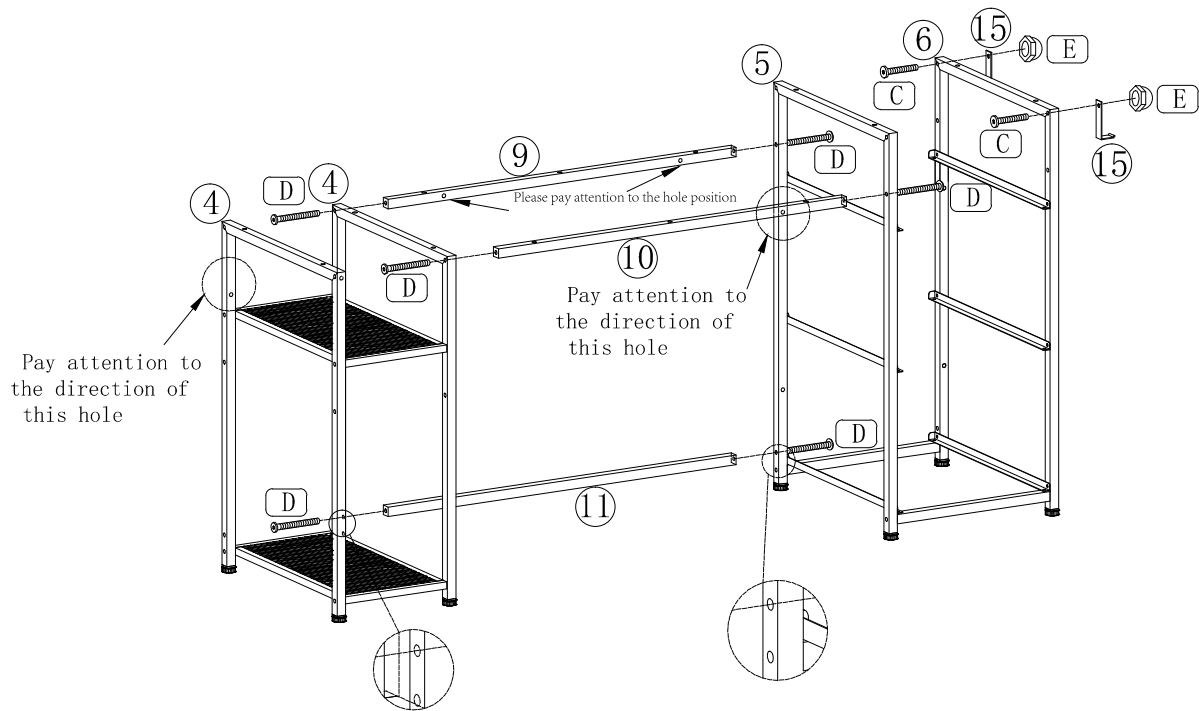
Installing the I accessory can better prevent the 19 # light strip from falling off. but the installation of the I accessory is a bit difficult and requires you to firmly lock the G screw. You can choose not to install the I accessory, which will not affect use!

G  M3.5x10 1

I  1

ASSEMBLY INSTRUCTION FOR COMPUTER DESK

STEP9

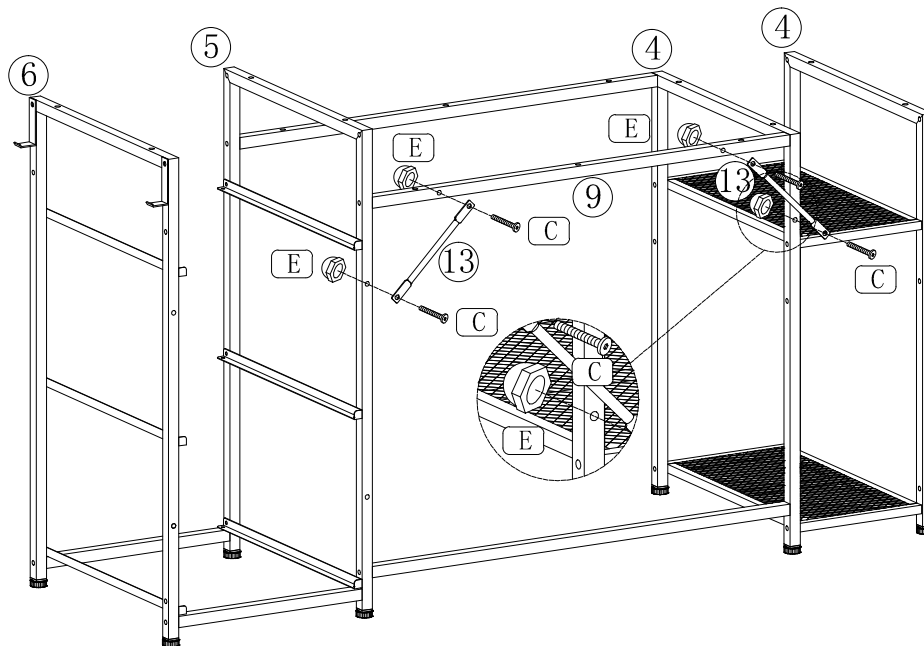


C M6x30 2

D M6x40 6

E M6 2

STEP10

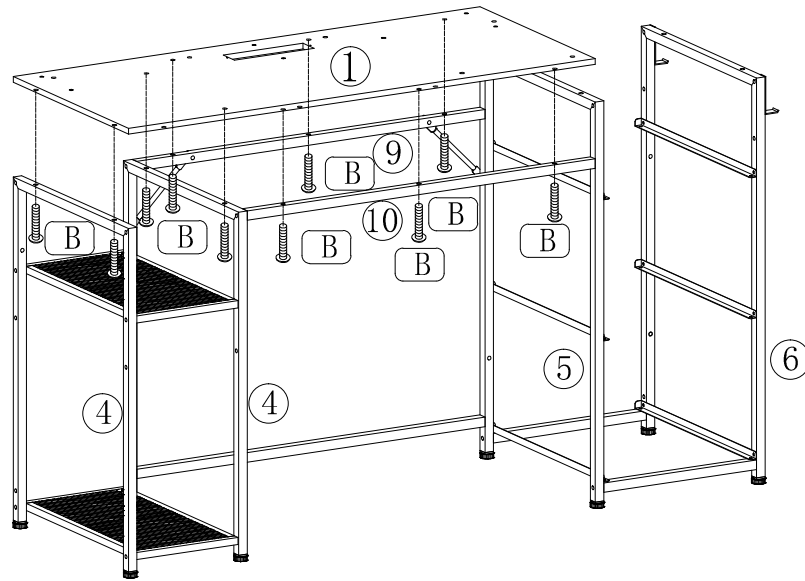


C M6x30 4

E M6 4

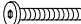
ASSEMBLY INSTRUCTION FOR COMPUTER DESK

STEP11

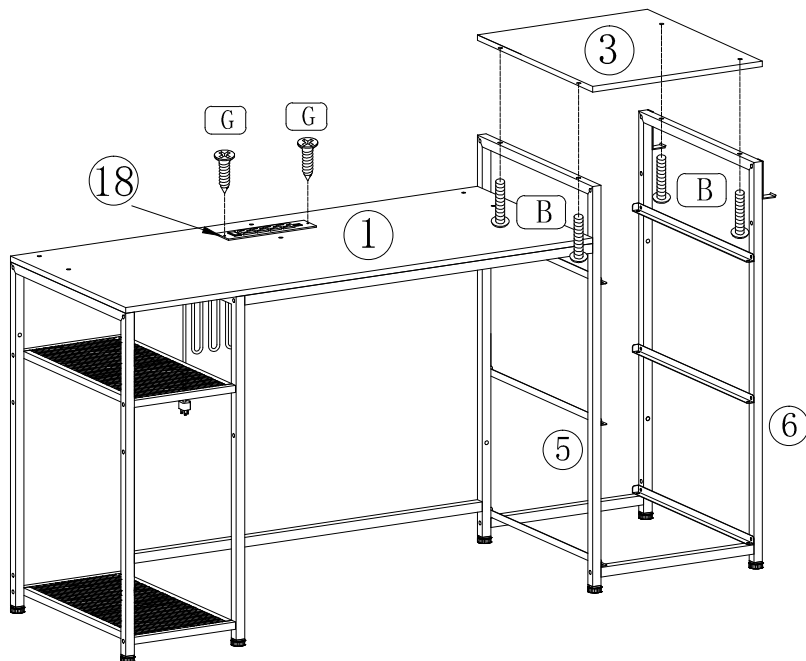


Notice:

In this step, there are many holes for installing screws. If the hole positions are slightly off, please pay attention to positioning the screws in this step first, and do not tighten the screws. In this step, all the hole positions must be positioned with the corresponding screws before tightening.

B  M6x25 10

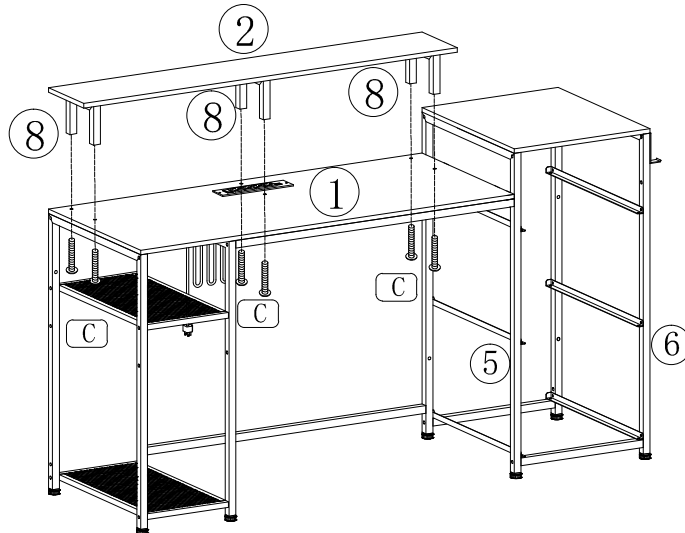
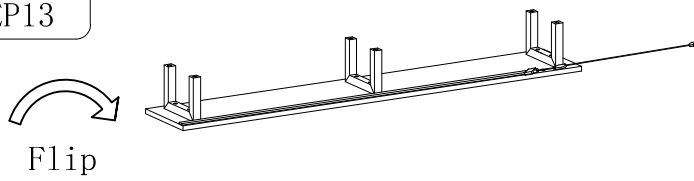
STEP12



B  M6x25 4 **G**  M3.5x10 2

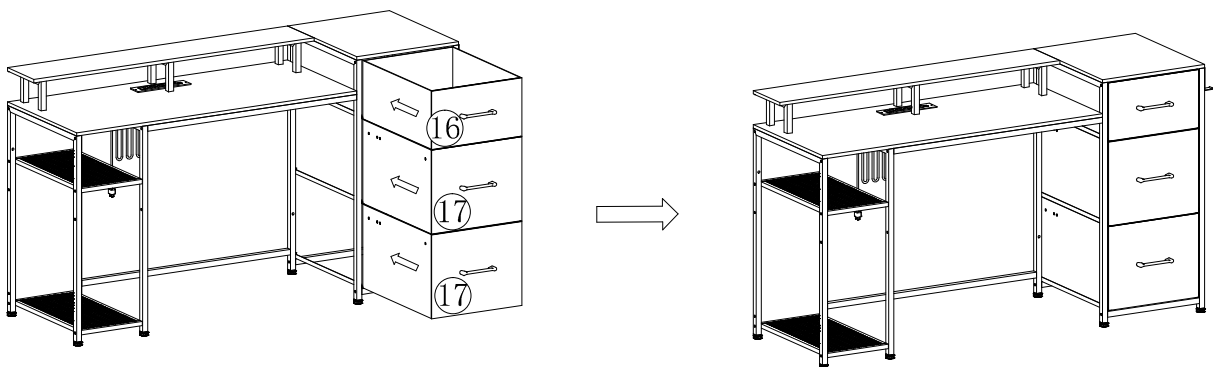
ASSEMBLY INSTRUCTION FOR COMPUTER DESK

STEP13



C  M6x30 6

STEP14

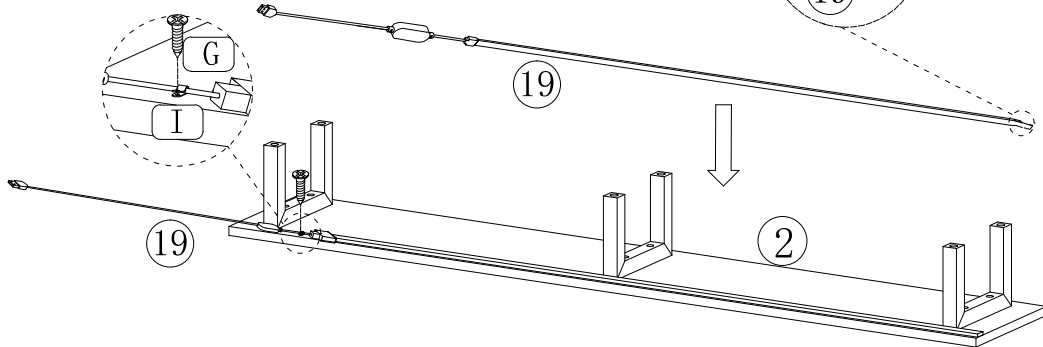


STEP15

Installation method II

The light strip can be pasted to the desired position according to your own needs

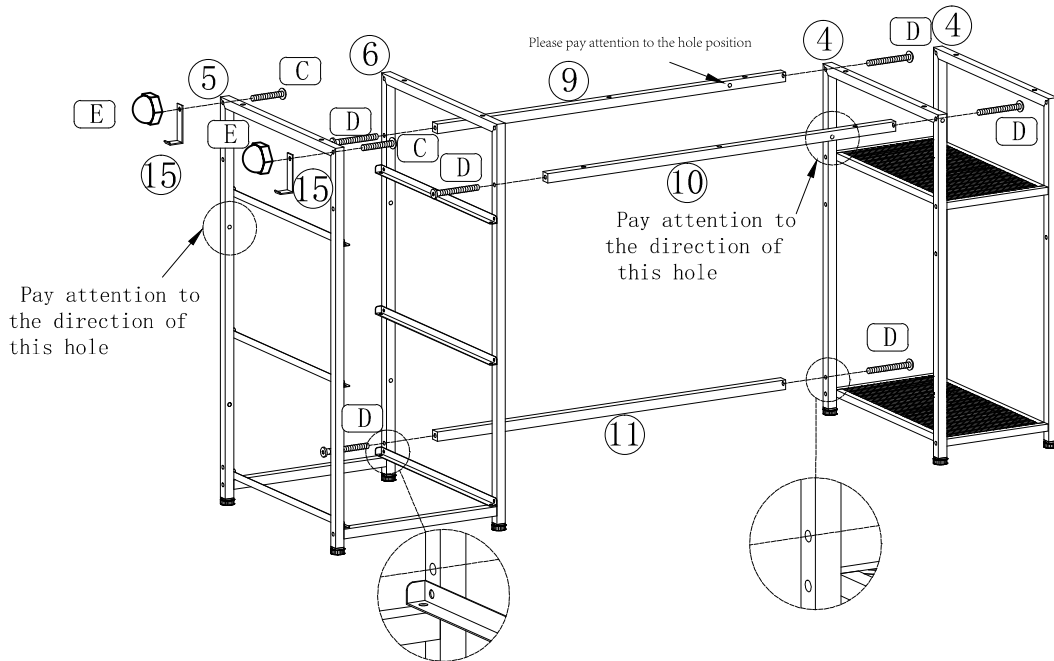
Carefully remove the plastic film behind the light strip.



Installing the I accessory can better prevent the 19 # light strip from falling off, but the installation of the I accessory is a bit difficult and requires you to firmly lock the G screw. You can choose not to install the I accessory, which will not affect use!

- | | | | | | | |
|---|--|---------|---|---|--|---|
| G | | M3.5x10 | 1 | I | | 1 |
|---|--|---------|---|---|--|---|

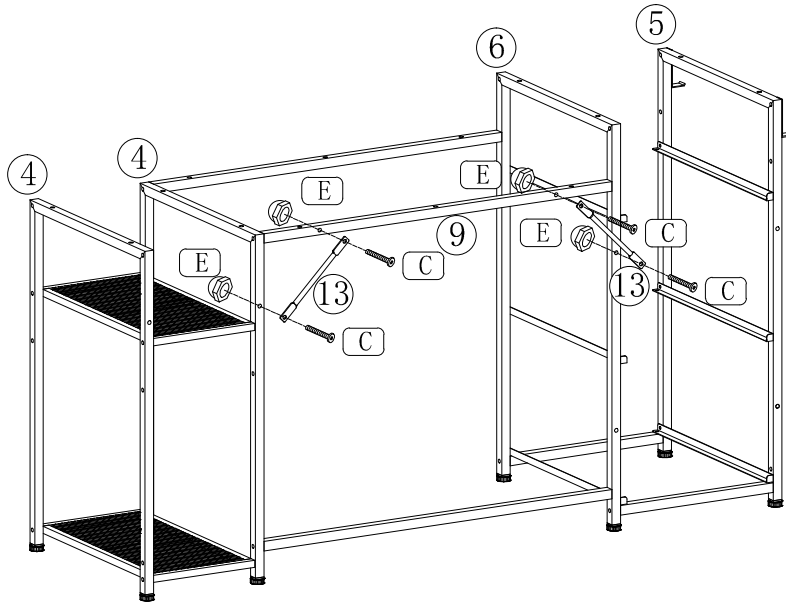
STEP16

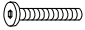


- | | | | | | | | | | | | |
|---|--|-------|---|---|--|-------|---|---|--|----|---|
| C | | M6x30 | 2 | D | | M6x40 | 6 | E | | M6 | 2 |
|---|--|-------|---|---|--|-------|---|---|--|----|---|

ASSEMBLY INSTRUCTION FOR COMPUTER DESK

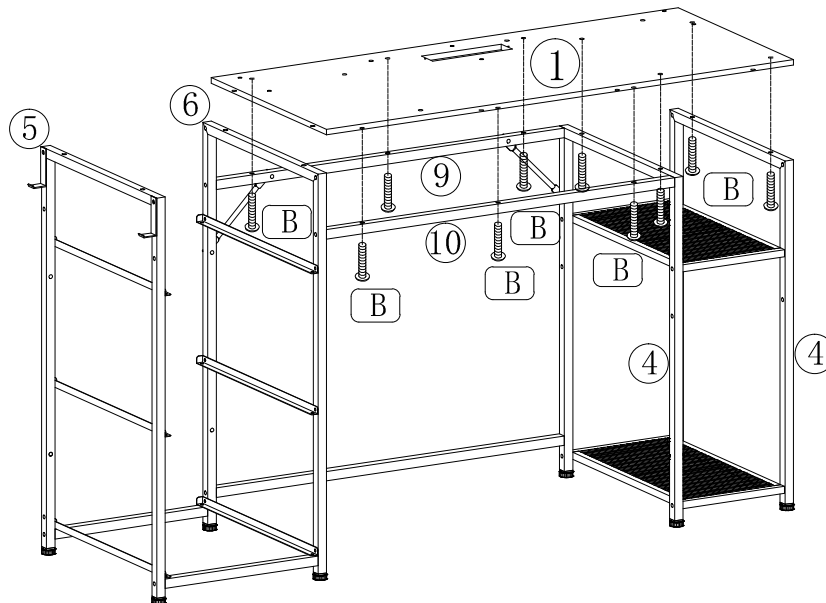
STEP17



C  M6x30 4

E  M6 4

STEP18



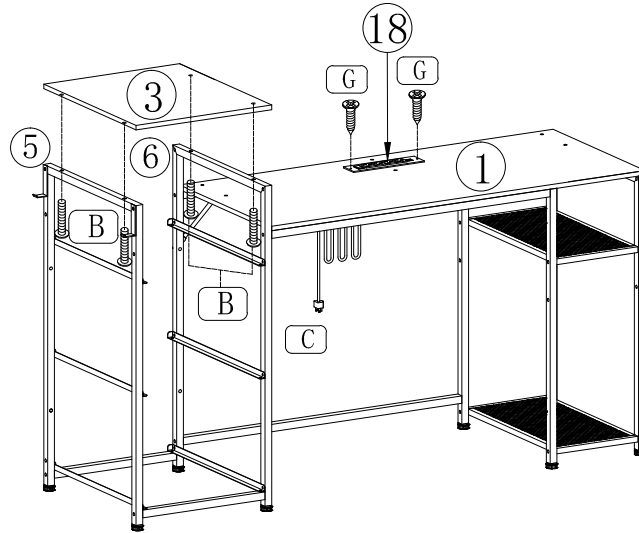
Notice:

In this step, there are many holes for installing screws. If the hole positions are slightly off, please pay attention to positioning the screws in this step first, and do not tighten the screws. In this step, all the hole positions must be positioned with the corresponding screws before tightening.

B  M6x25 10

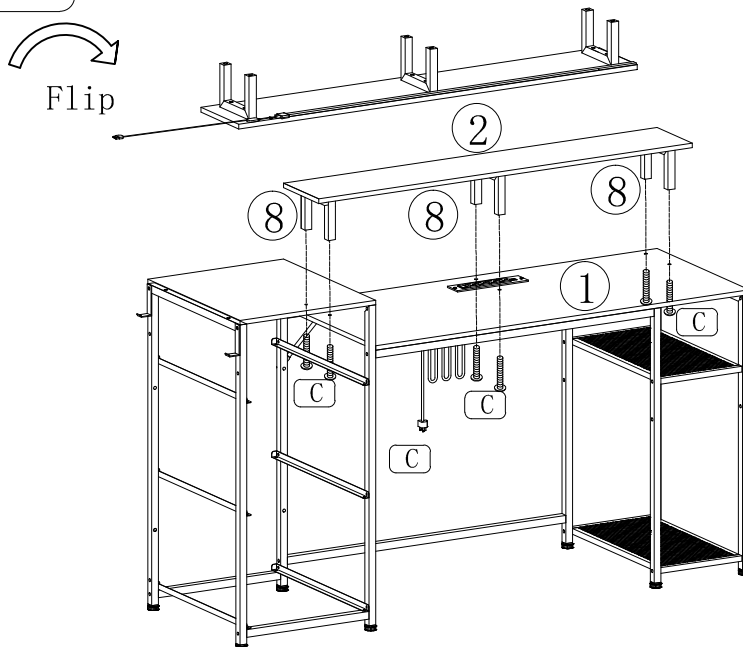
ASSEMBLY INSTRUCTION FOR COMPUTER DESK

STEP19



B  M6x25 4 **G**  M3.5x10 2

STEP20



C  M6x30 6

ASSEMBLY INSTRUCTION FOR COMPUTER DESK

STEP21

