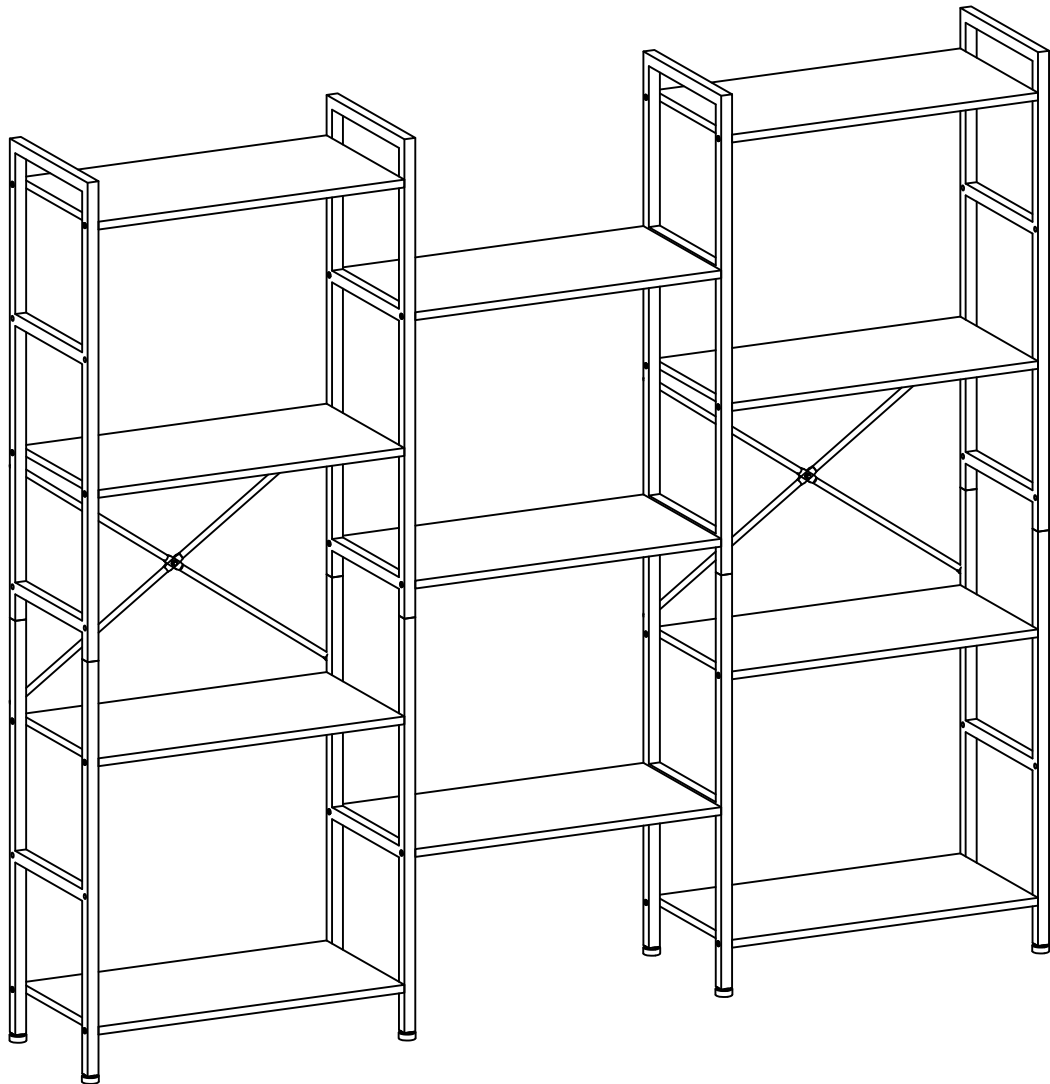


Commodity shelf

E101-034-001

V-1-1



Thank you for choosing our products. We are committed to providing excellent customer service and support. Please feel free to reach out to us with any inquiries or assistance you may need.



▪ home@homeselecting.com

WARNING

Children have died from furniture tipovers. To reduce the risk of furniture tip-over.

- ALWAYS install anti-tip device provided.
- NEVER put a TV on this product.
- NEVER allow children to stand, climb, or hang on any drawers, doors, or shelves.
- NEVER open more than one drawer at a time.
- Place the heaviest items in the lowest drawers.

IMPORTANT SAFETY NOTICE READ CAREFULLY BEFORE BEGINNING ASSEMBLY

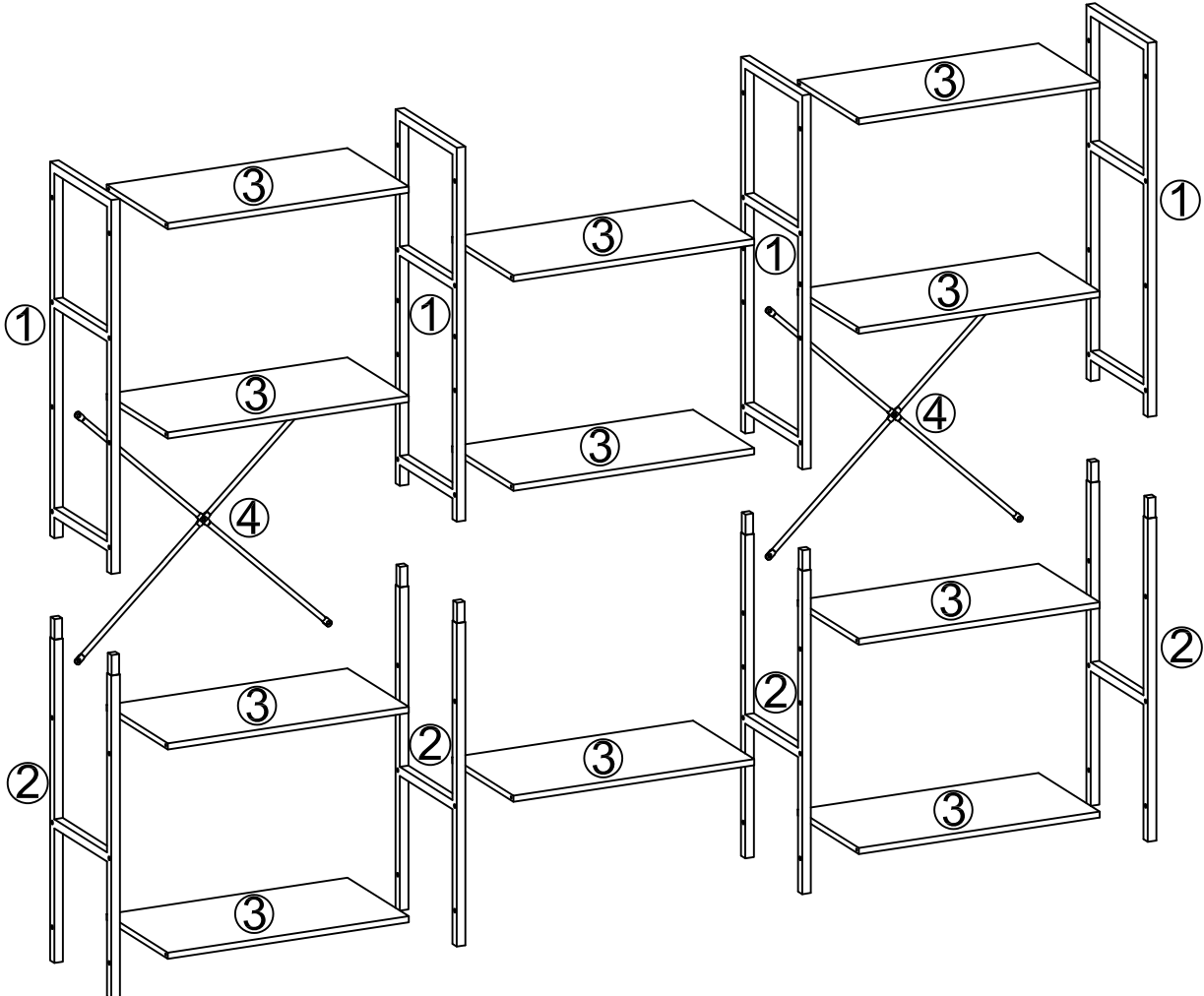
- This cabinet contains small parts that present a choking hazard for children under 3 years of age. Adult assembly only. Secure parts permanently to furniture.
- To make the assembly process easier, ask a friend to help you. 2 people required.
- Always use proper tools. Avoid using a electric drill excessively to prevent damage to cabinet components, especially in wooden furniture.
- Carefully review the parts and hardware list.
- Recommend assembling the storage cabinet on a protected or carpeted surface to prevent scratches.
- Follow assembly steps in order. DO NOT SKIP ANY STEPS.
- Regularly check and tighten all connectors (bolts, screws, etc.). Keep instructions for future reference.
- Exercise caution with sharp edges during assembly and use to avoid scratching or cutting the skin.

CARE AND CLEANING GUIDELINES

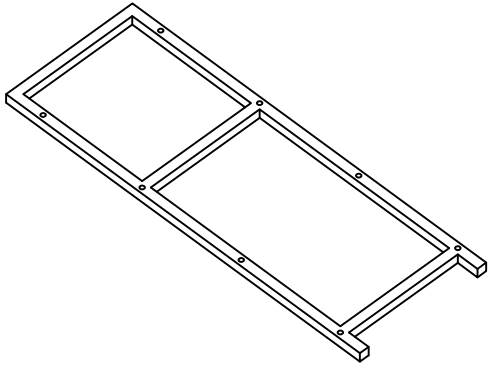
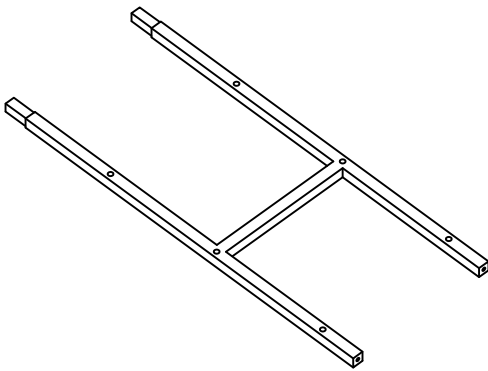
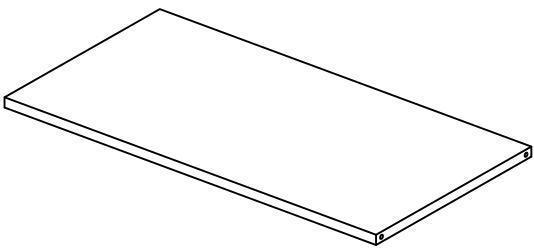
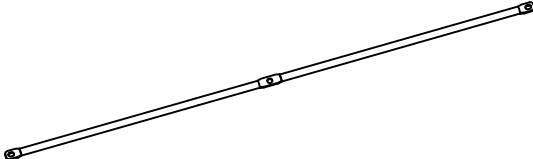
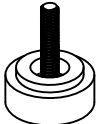

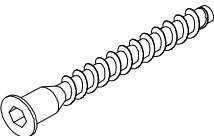
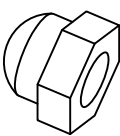
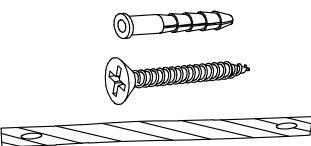

Congratulations on your new purchase! Follow these simple care instructions to keep your product in top condition:

- Use a soft, clean cloth that will not scratch the surface when dusting
- Wipe clean using a damp cloth and a mild cleaner
- Liquid spills should be removed immediately.
- Direct sunlight may fade or alter the color of wood finishes.

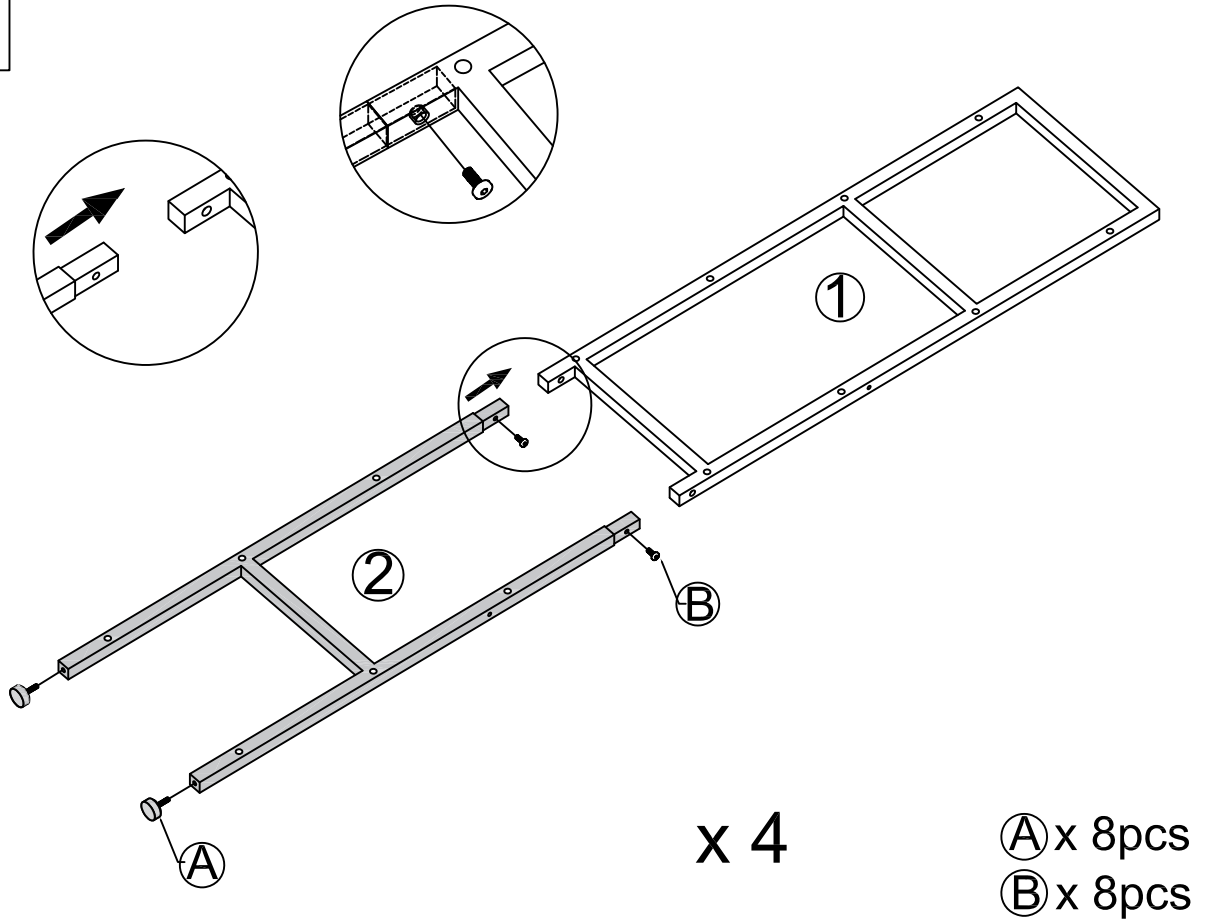
EXPLODED DRAWING:



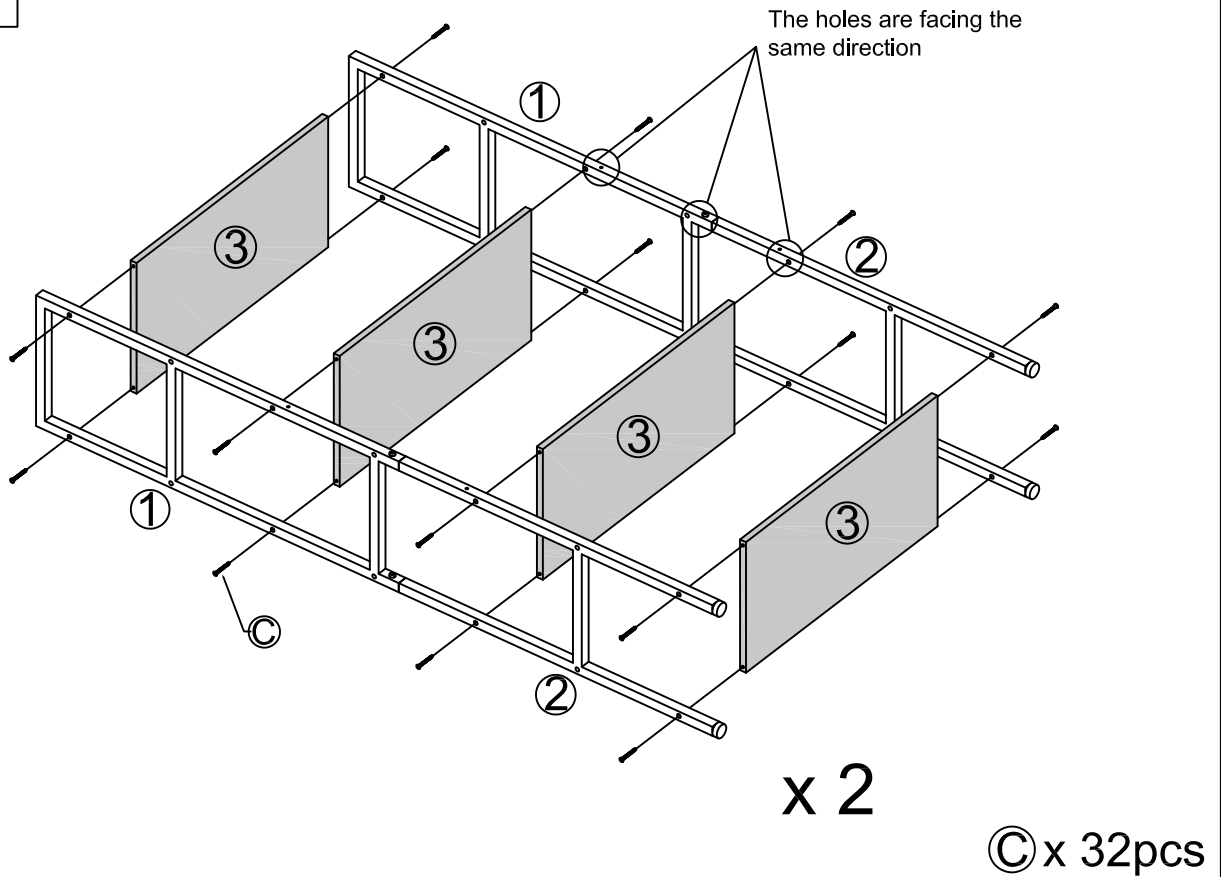
Part List

<p>① x4pcs</p> 	<p>② x4pcs</p> 	
<p>③ x11pcs</p> 	<p>④ x4pcs</p> 	
<p>Ⓐ x8pcs</p>  <p>Ø25x1/4*20mm</p>	<p>Ⓑ x18pcs</p>  <p>1/4x10mm</p>	<p>Ⓒ x44pcs</p>  <p>Ø6x50mm</p>
<p>Ⓓ x2pcs</p> 	<p>Ⓔ x2pcs</p> 	<p>Ⓕ x1pcs</p>  <p>M4</p>

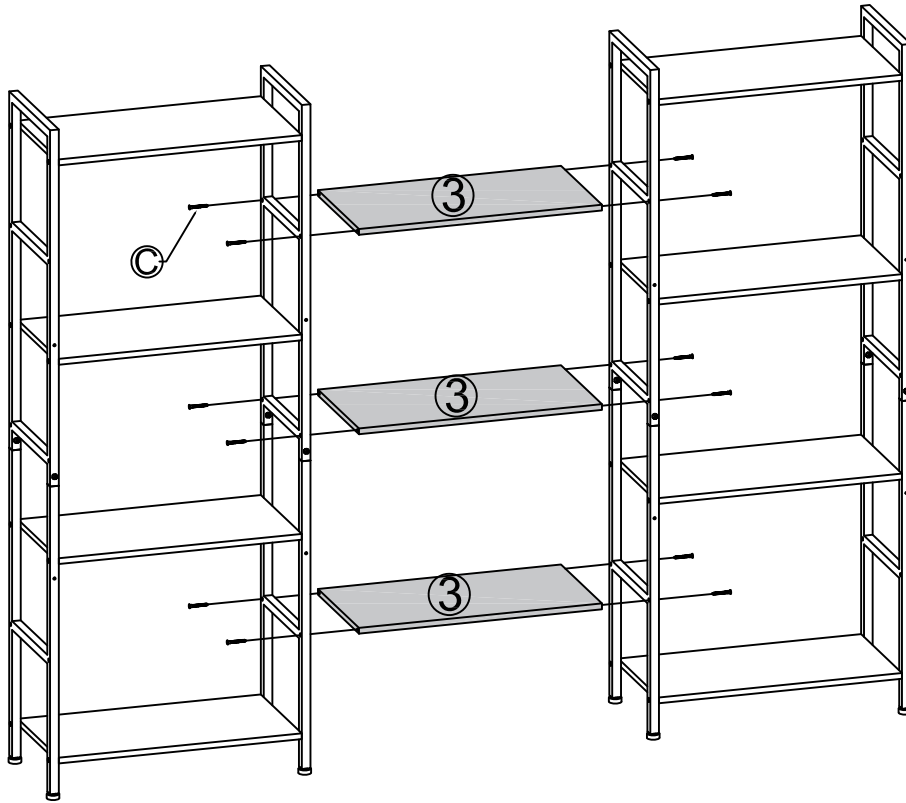
1



2

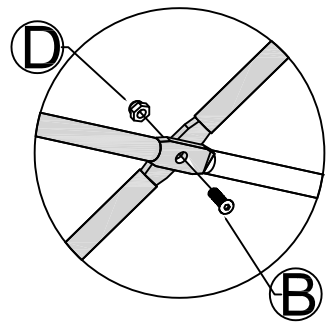
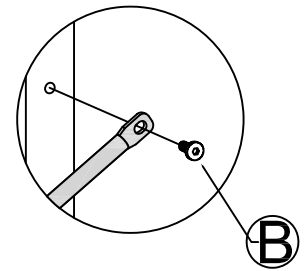
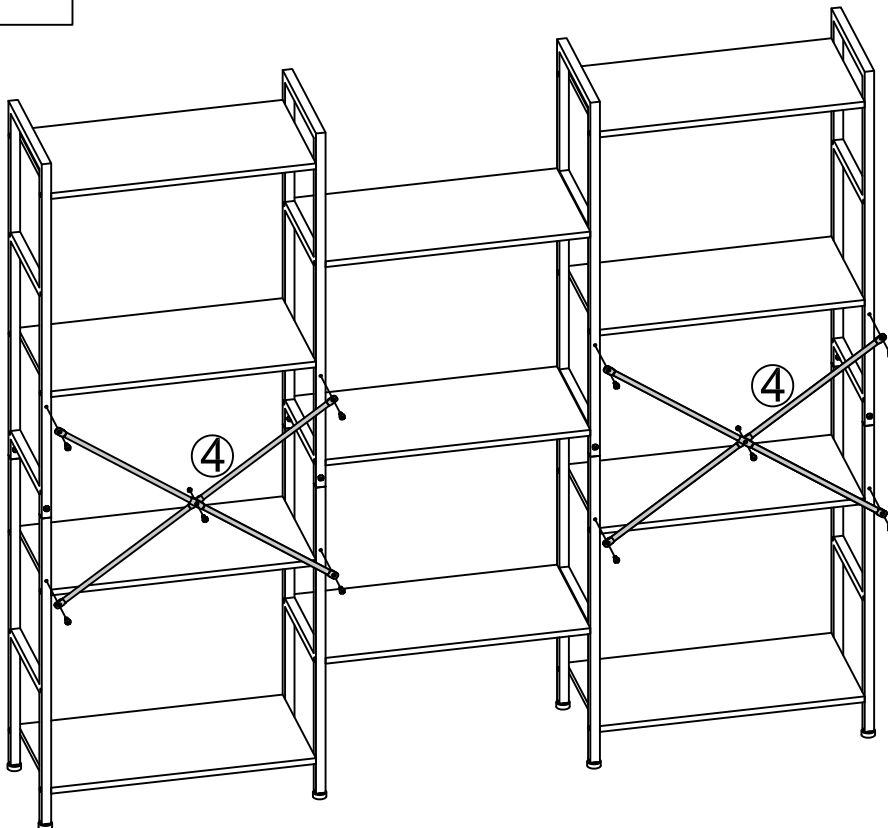


3



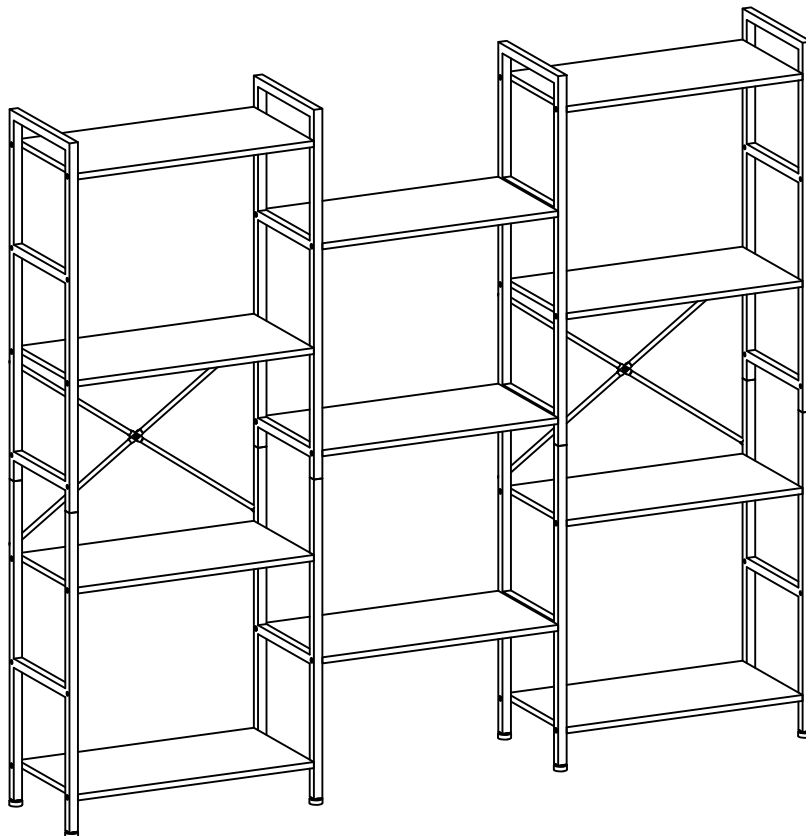
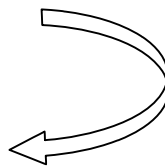
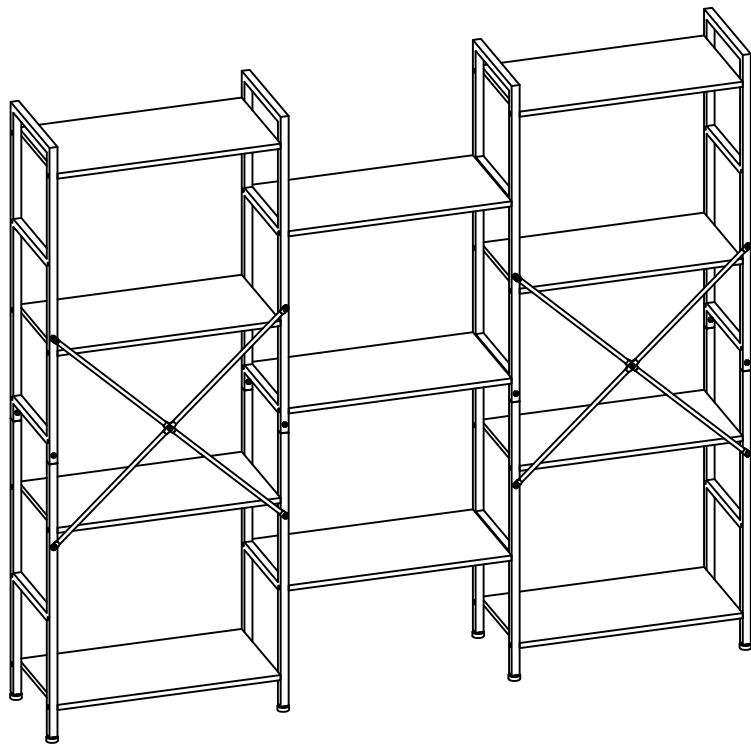
C x 12pcs

4

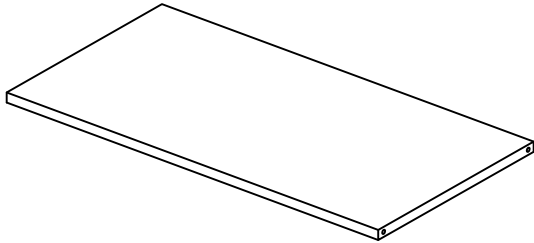


B x 10pcs

D x 2pcs



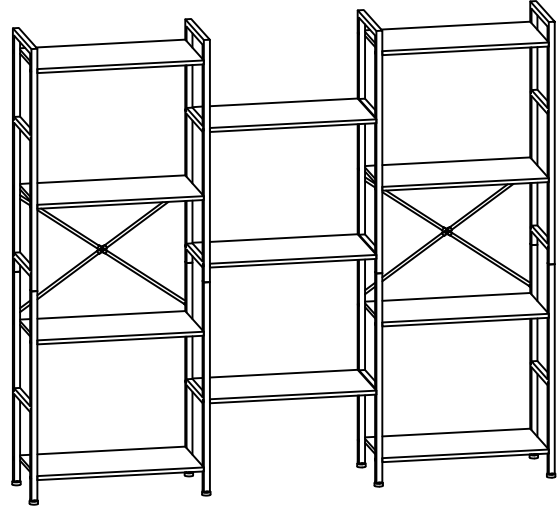
DIY Available



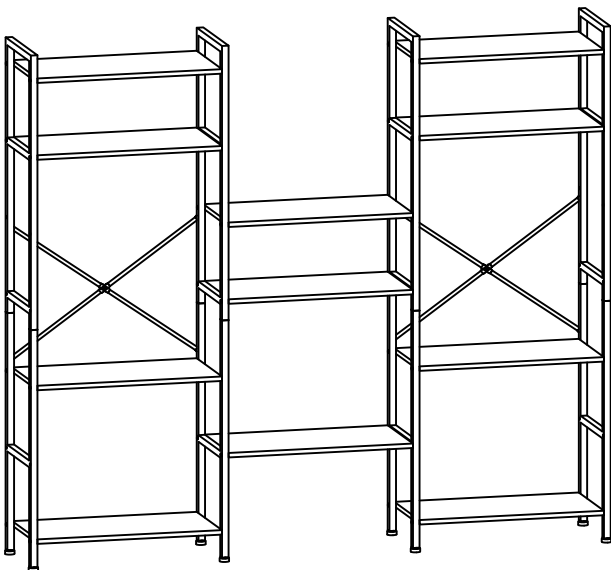
x 11 pcs

Offer 11 shelves to Dly freely, and fully meet your storage needs

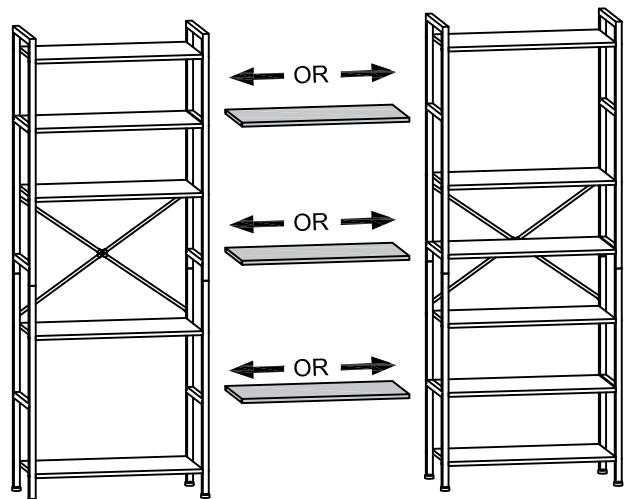
The first

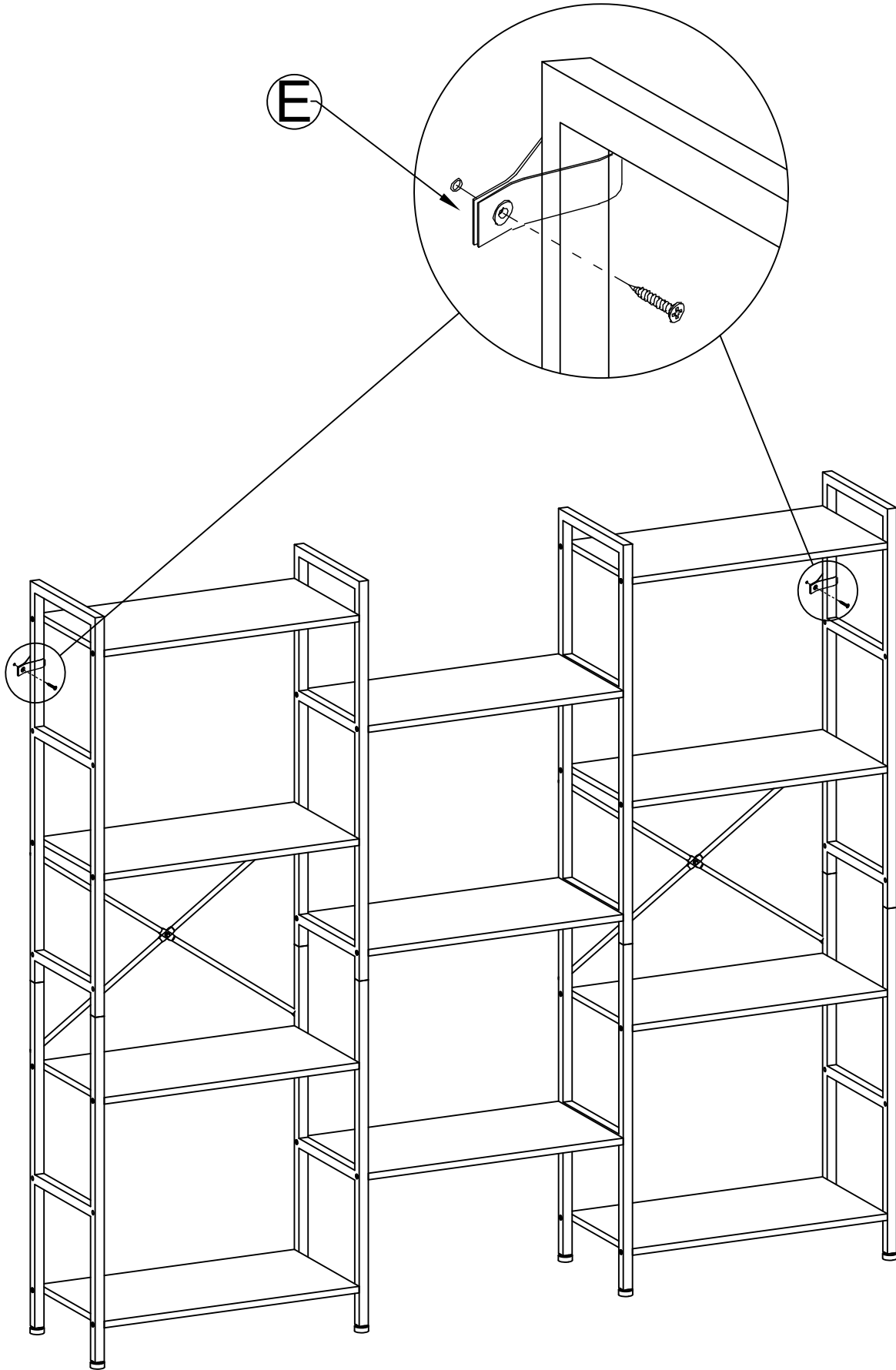


The second



The third





Ⓔ x 2pcs

