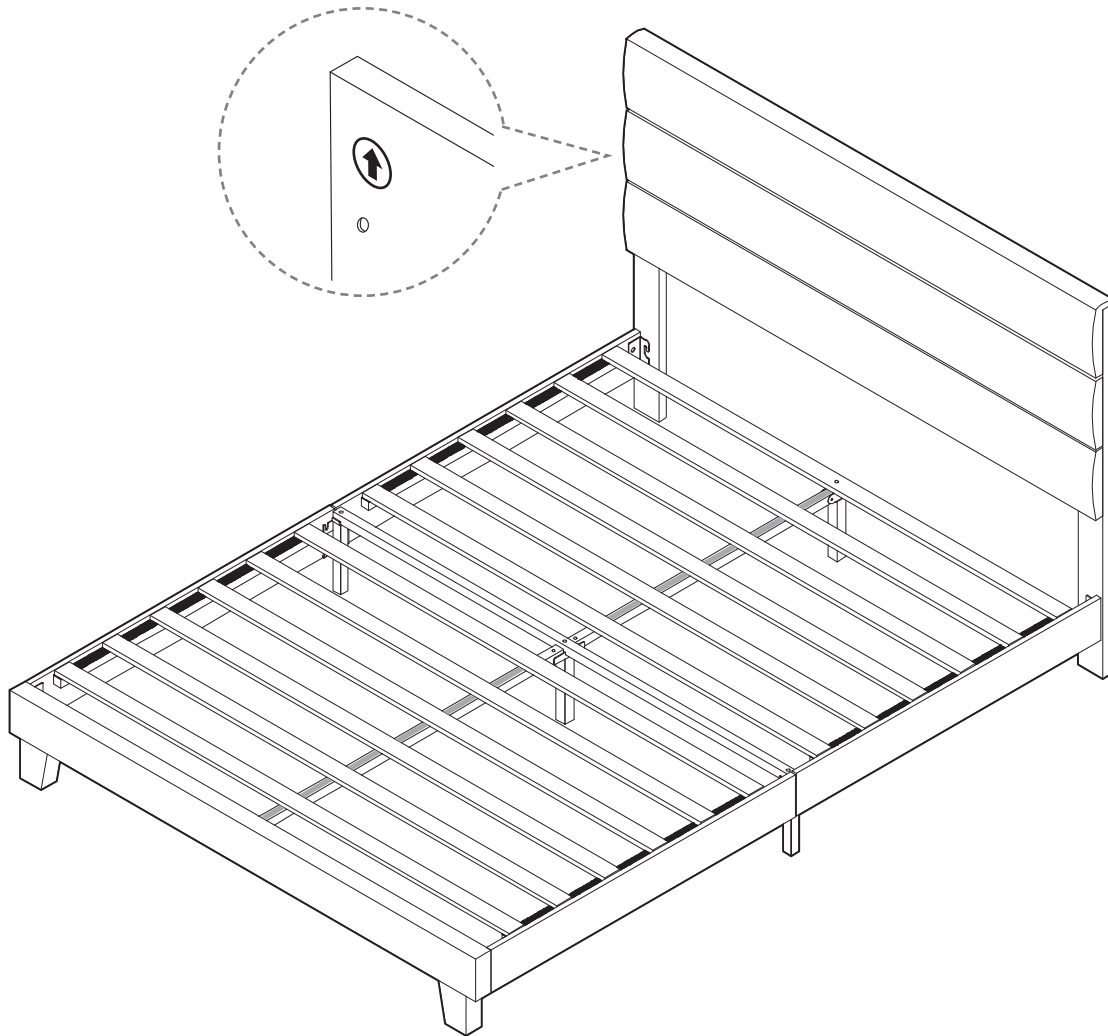


# PLATFORM Bed

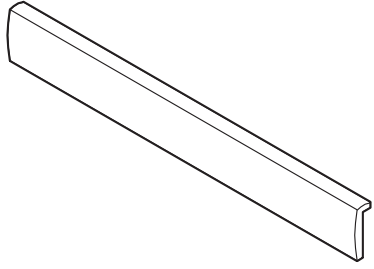
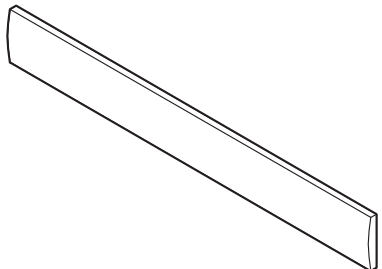
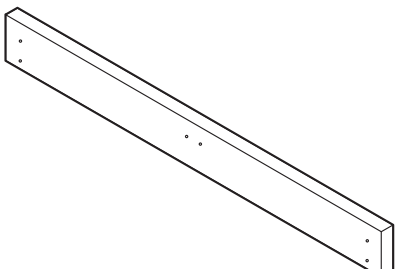
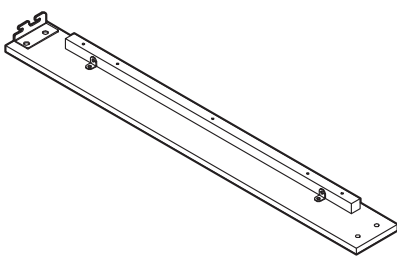
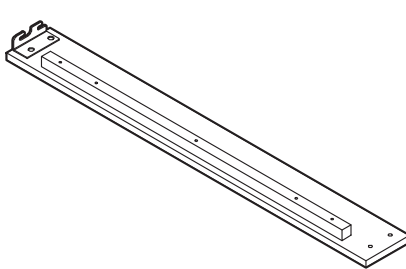

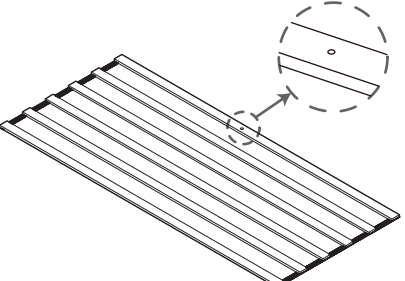
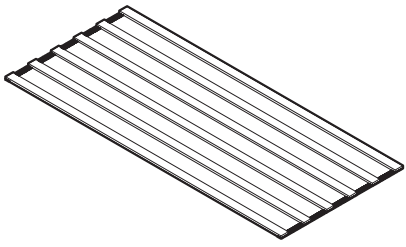
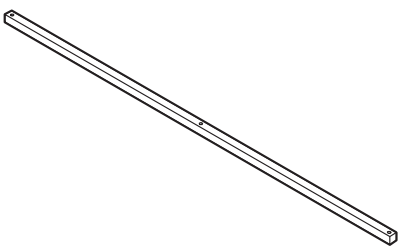
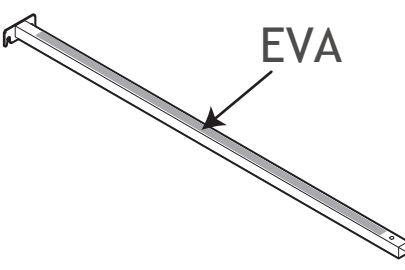
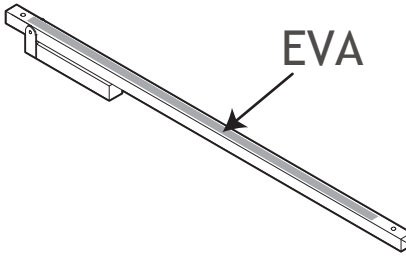
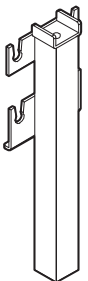
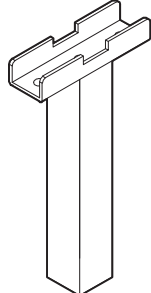
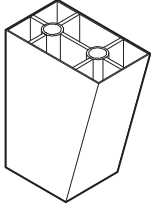
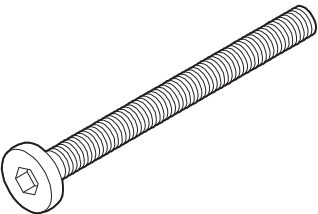
## ORIGINAL INSTRUCTION MANUAL



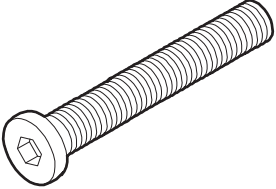
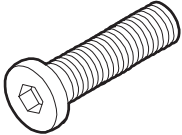
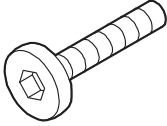
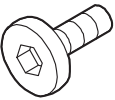



### DEAR CUSTOMER,

Thank you for choosing our product. Please read this manual carefully before assembling or using the product, to avoid damage caused by improper use. If the product is passed on to third parties, this manual has to be passed on along with the product. For any question don't hesitate to contact us.

# PARTS LIST

<b>A</b> 1× 	<b>B</b> 2× 	<b>C</b> 1× 
<b>D1</b> 2× 	<b>D2</b> 2× 	<b>E</b> 2× 
<b>F1</b> 1× 	<b>F2</b> 1× 	<b>G</b> 1× 
<b>H</b> 1× 	<b>I</b> 1× 	<b>J</b> 2× 
<b>K</b> 1× 	<b>L</b> 2× 	<b>M</b> 4×  M6×70MM

# PARTS LIST

N  M8×50MM 8×	O  M8×40MM 4×	P  M8×25MM 10×
Q  M8×16MM 8×	R  M8×Ø22MM 7×	S  M6 1×
T  M8 1×		

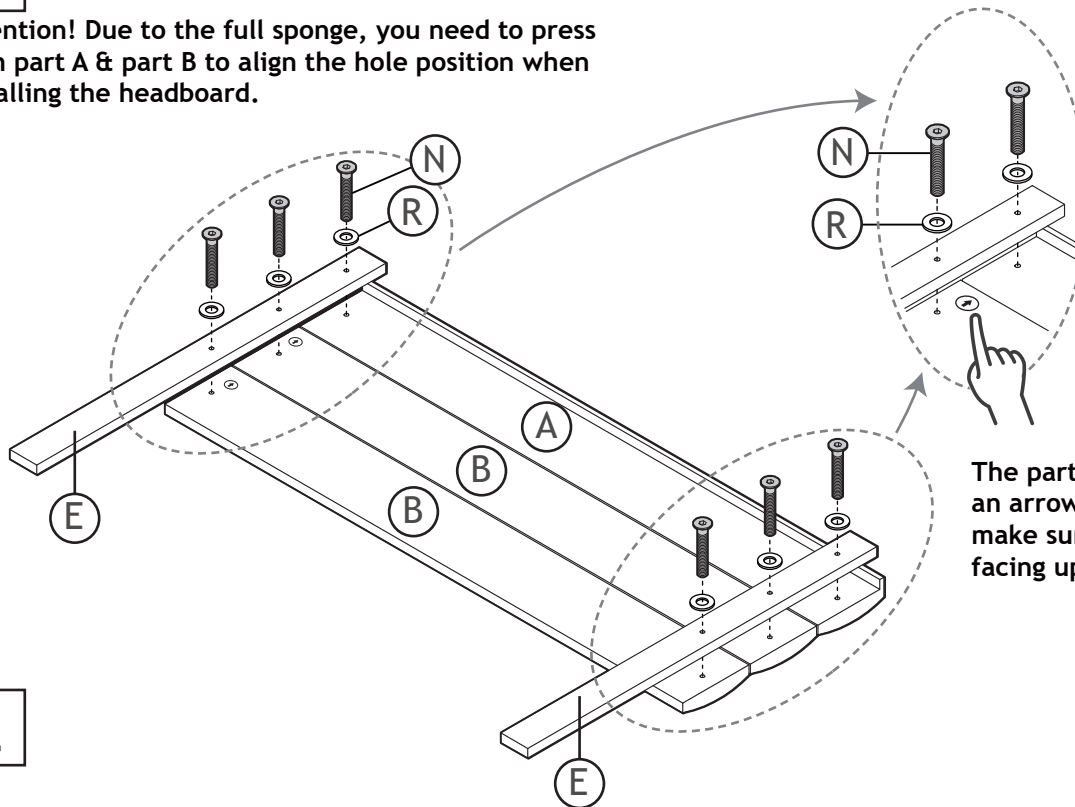
# ASSEMBLY

Before your installation, please make sure that you have all the parts listed on the manual. If you find something missing, stop installing and contact your supplier immediately.

**NOTE:** Please **DO NOT** tighten any hardware until all the components are assembled. Be sure to tighten all the hardware once the assembly completed.

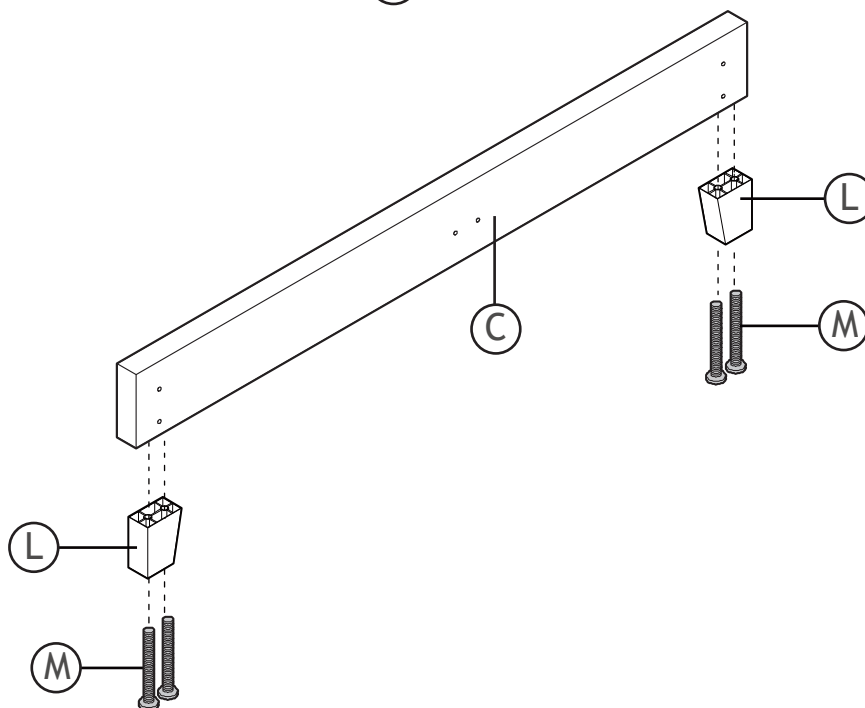
1

Attention! Due to the full sponge, you need to press both part A & part B to align the hole position when installing the headboard.

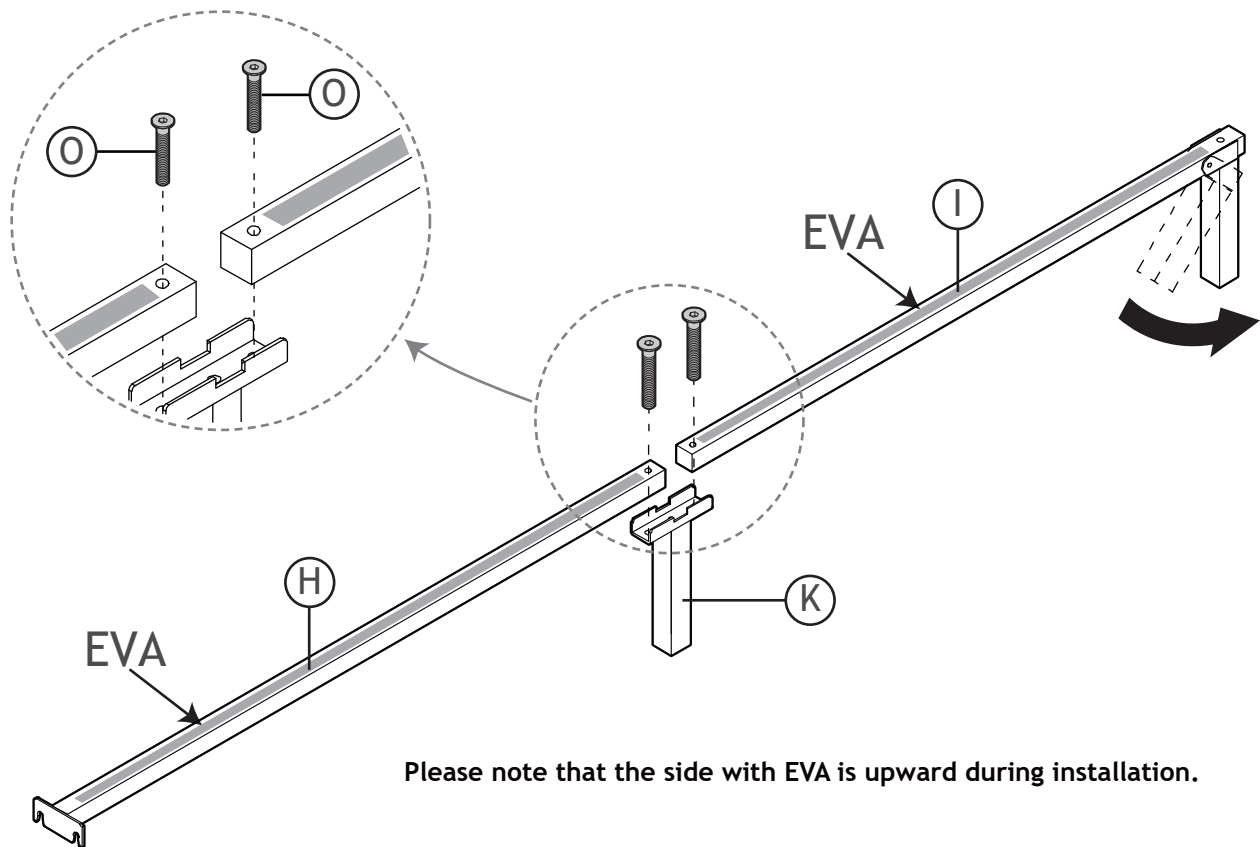


The part B is marked with an arrow symbol, please make sure that the arrow is facing upwards.

2

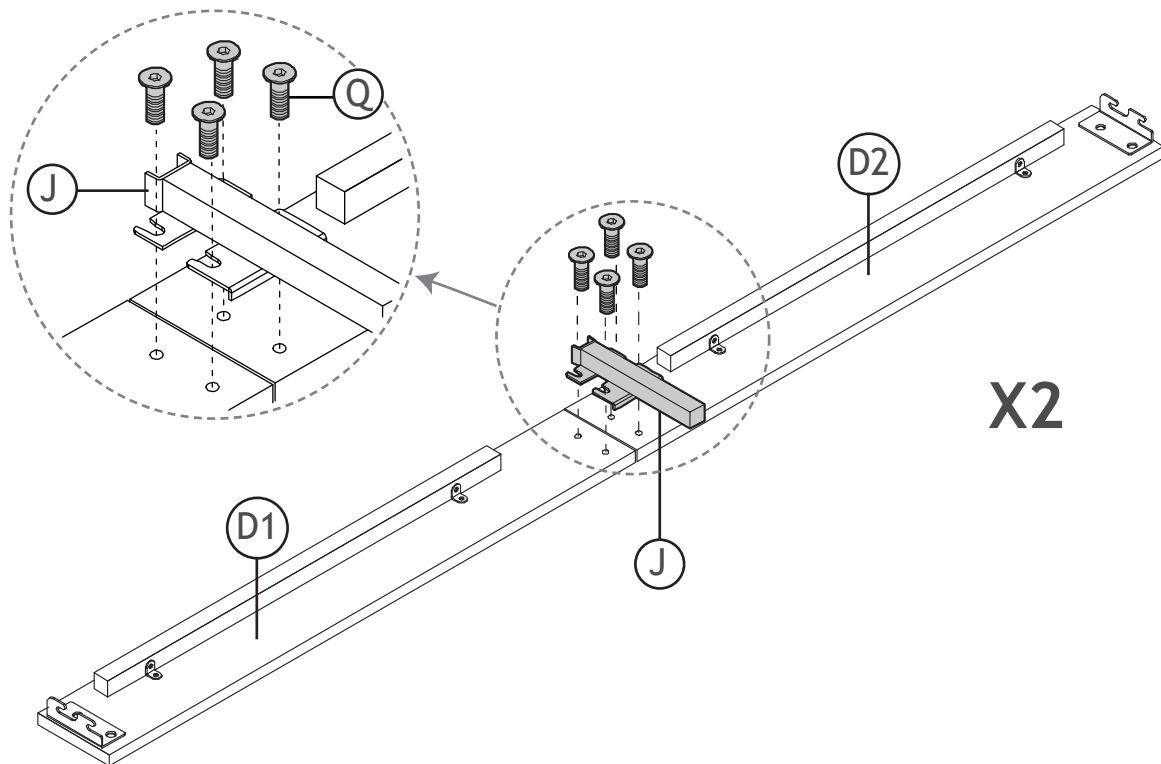


3

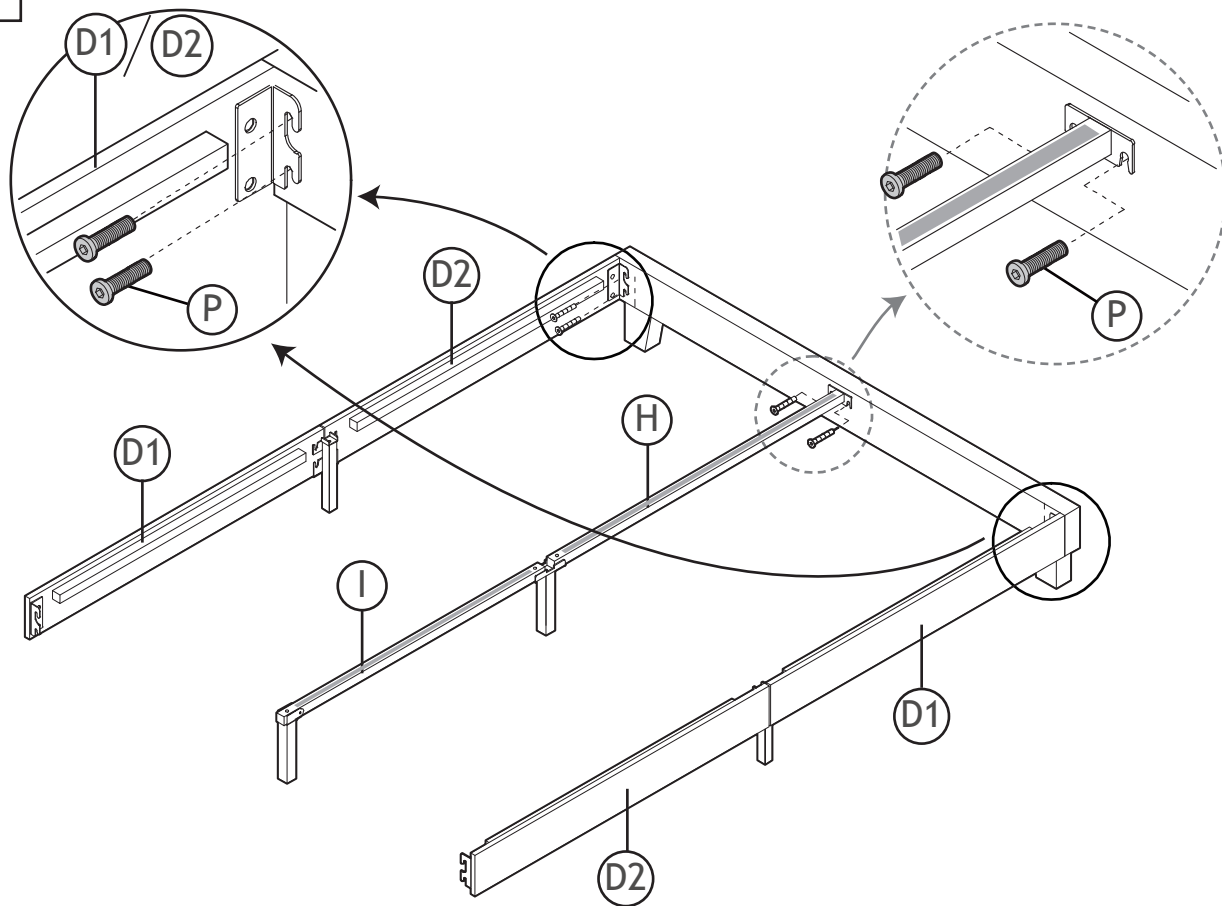


Please note that the side with EVA is upward during installation.

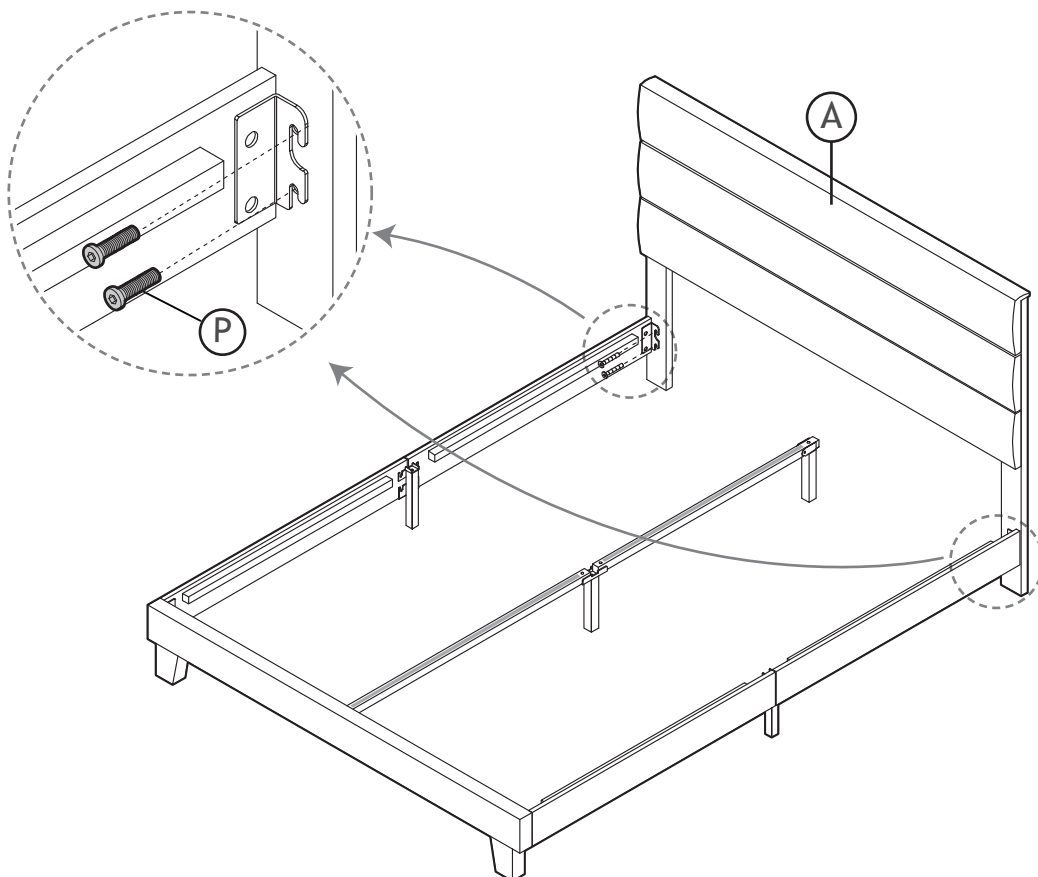
4



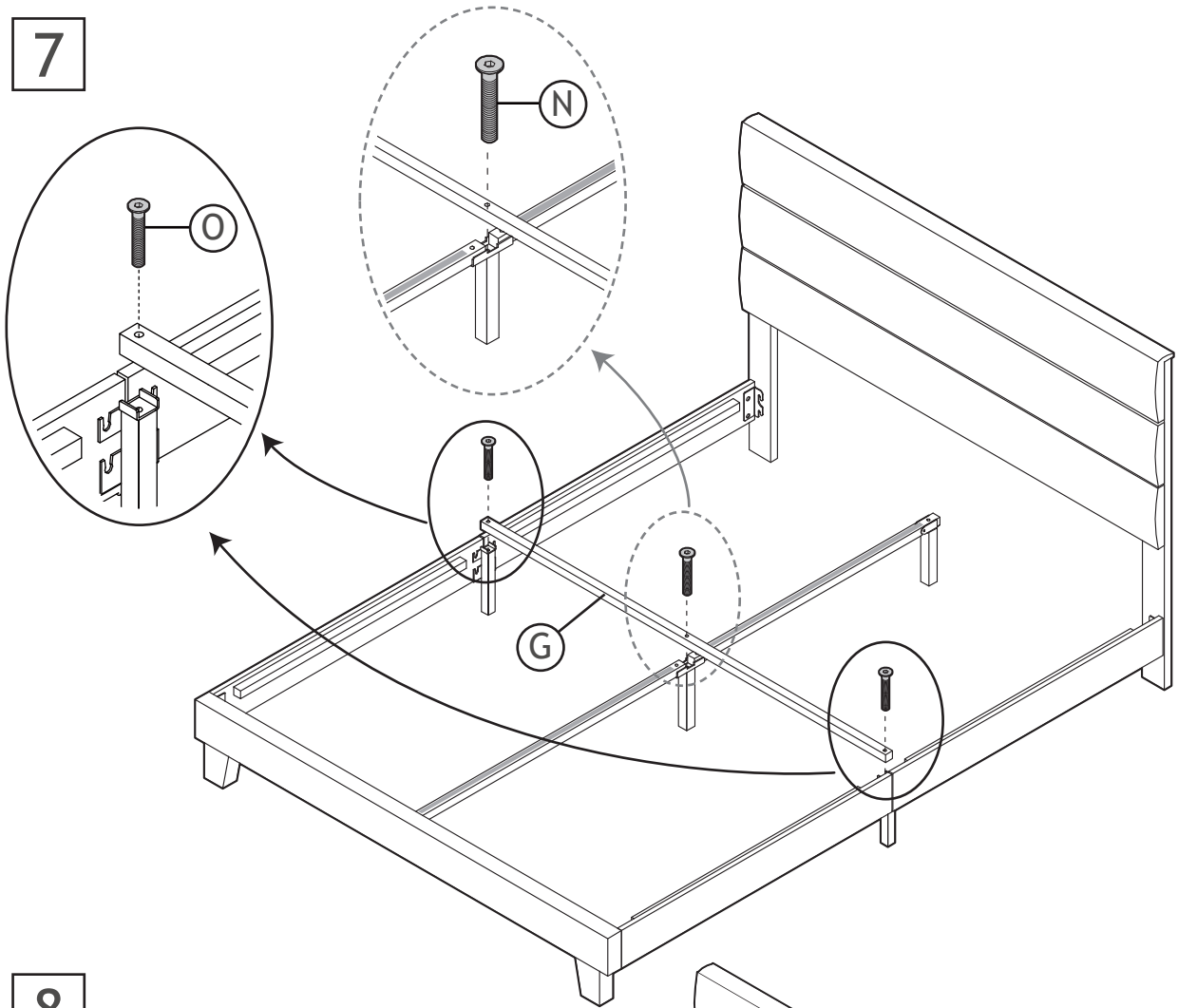
5



6



7



8

