

# 4-Light Drum Shape Crystal Semi Flush Ceiling Light

**Caution:** Please turn off power before installation and read the manual carefully, we advise you contact professional electricians to install for safety purpose.

## Product Features

Style: Modern/Contemporary

Material: Metal, Crystal

Color: Chrome, Brass

Base Type: E14

Light Source Included: No

Voltage: 220VAC

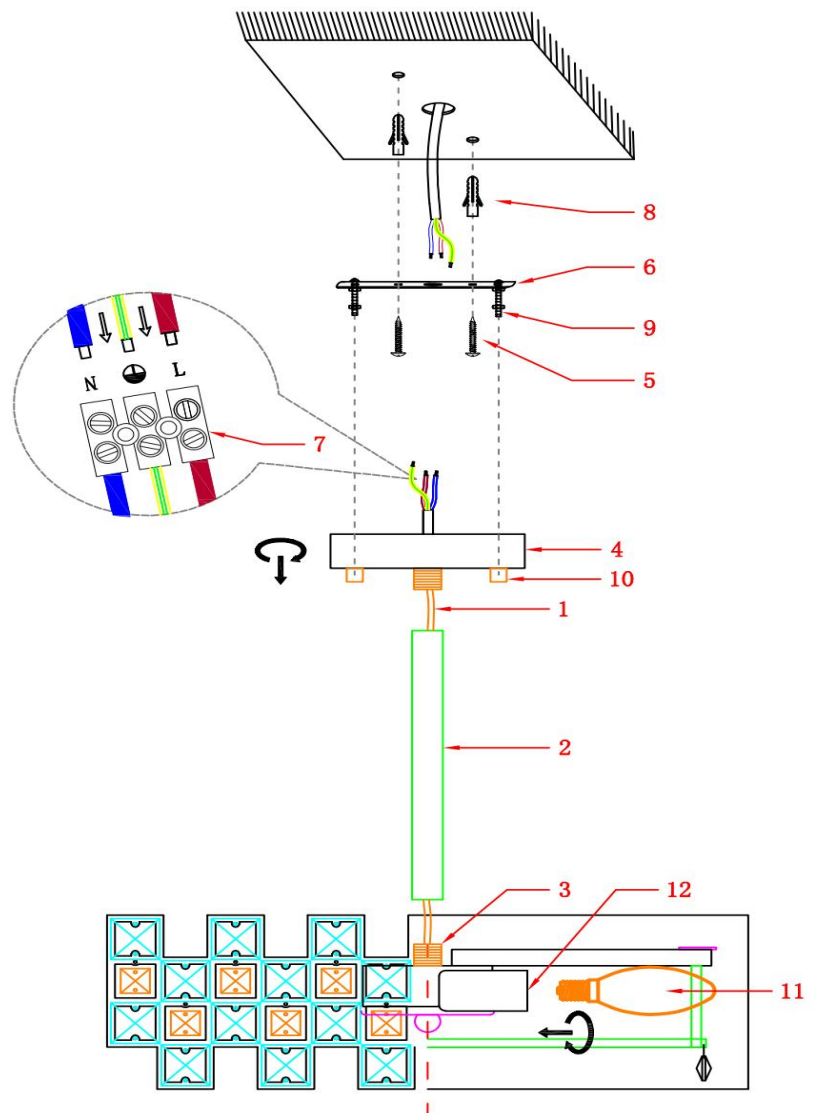
Wattage: 40W (per bulb)

## Package includes

1 x Ceiling Light

1 x Accessories Kit

1 x User's Manual



## Installation Instructions

A: Pass the main wire (1) through the rod (2), then tighten the rod (2) onto the threaded (3); pass the main wire (1) to through the ceiling plate (4), then tighten it to the rod (2).

B: Drill two holes in the ceiling, then put the plastic wall plugs (8) into the holes.

C: Use screw (5) to secure the mounting plate (6) to the ceiling.

D: Connect the live wire, neutral wire, and ground wire of the fixture to the reserved wires in the ceiling using the terminal block (7).

E: Pass the mounting plate screws (9) through the holes in the ceiling plate (4), then tighten the ball nuts (10) to secure the fixture.

F: Screw the bulbs (11) into the lamp sockets (12).

**Note:** please use this product accordingly to its intended purpose, do not retrofit or remodeling the product. The warranty does not cover if the failure is caused by the third party product, or natural disasters.

Made in China