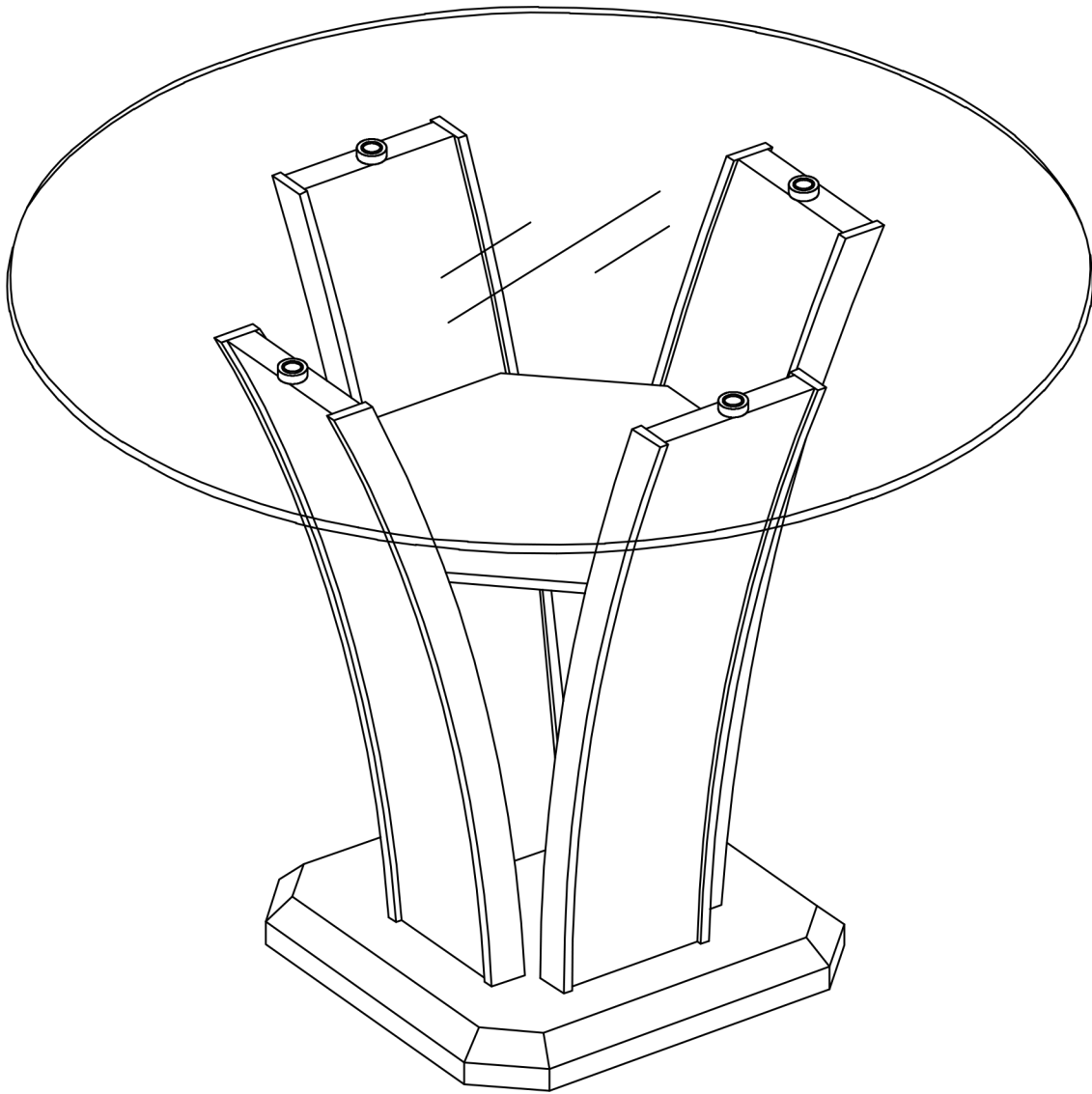















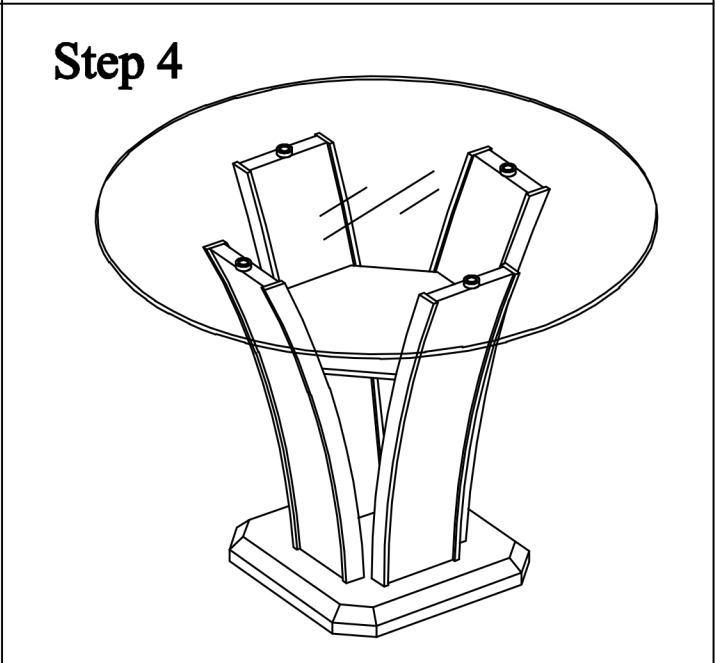
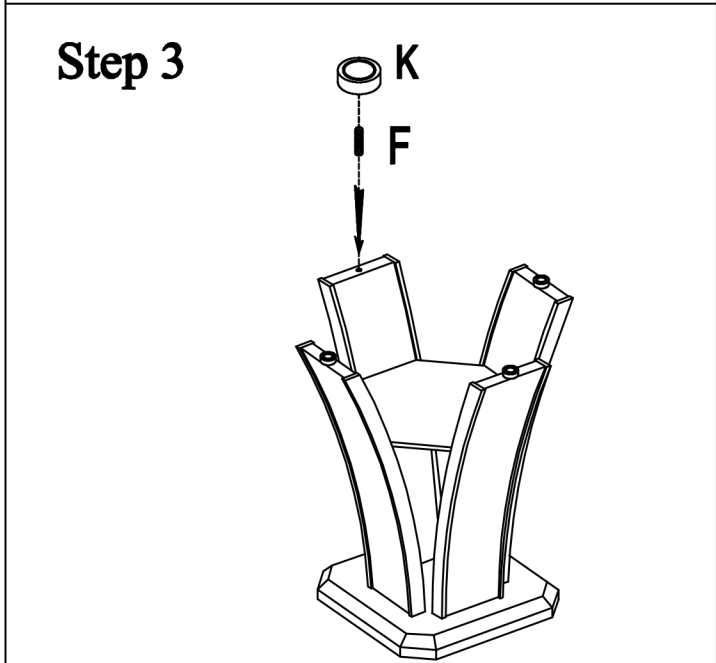
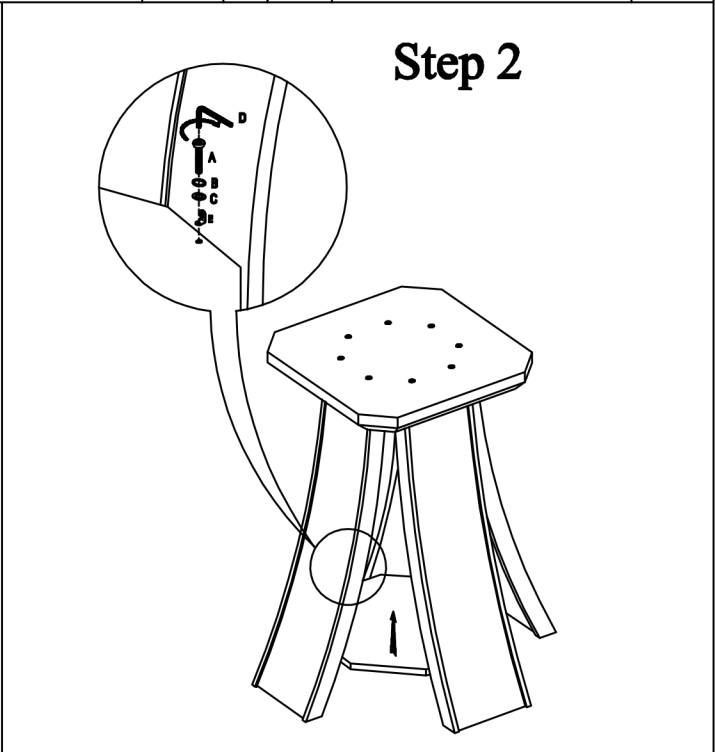
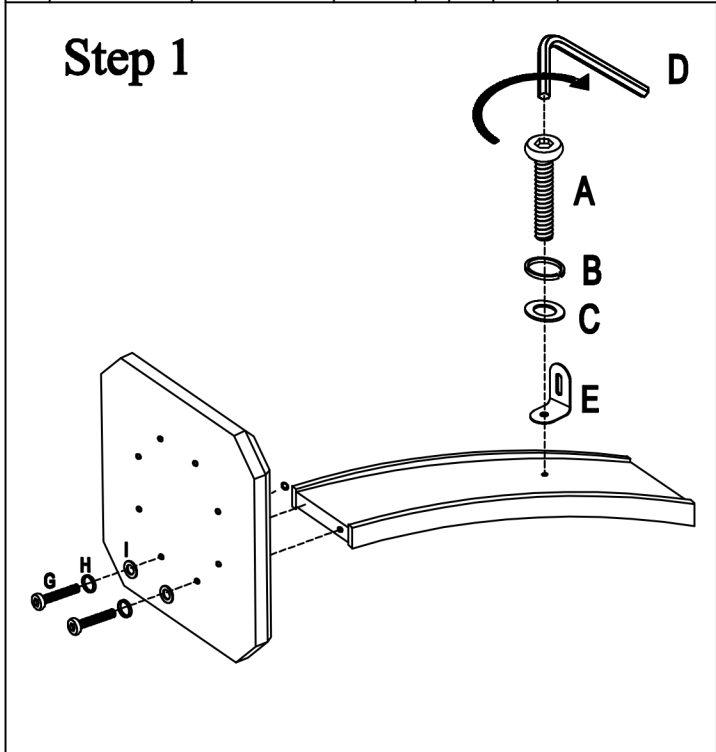


Assembly Instructions



Do not tighten screws until completely assembled.

PARTS IDENTIFICATION				HARDWARE LIST							
NO	Part	Sketch	Quantity	NO	Shape	Specification	Quantity	NO	Shape	Specification	Quantity
1		Glass Top	1PC	A		Bolt Ø1/4" x3/4"	8PCS	G		Bolt Ø5/16" x 2"	8PCS
2		Table Shelf	1PC	B		Lock Washer Ø1/4"*11mm	8PCS	H		Lock Washer Ø5/16"*13mm	8PCS
3		Support Panel	4PCS	C		Flat Washer Ø1/4" x 16mm	8PCS	I		Flat Washer Ø5/16" x 22mm	8PCS
4		Table Base	1PC	D		Allen Wrench Ø1/4"	1PC	J		Allen Wrench Ø5/16"	1PC
				E		L-Sheet Iron	4PCS	K		Glass riser Ø35*12mm	4PCS
				F		Full dental screw 1/4"*3/4"	4PCS				



Do not tighten screws until completely assembled.