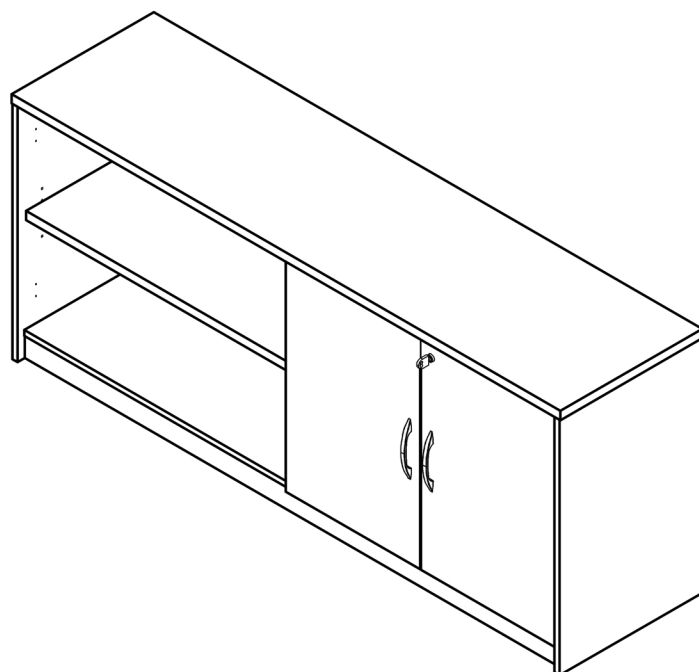
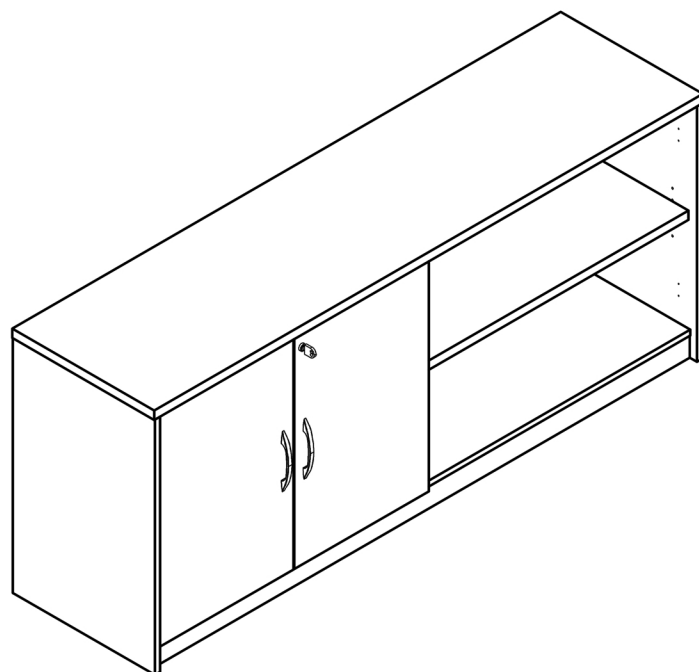


ASSEMBLY INSTRUCTION

GINO-DSC-1744



Dear Customer,

Thank you for choosing us. Before you begin assembly, check that you have all the parts and hardware shown on this page.

If there is any item missing, please circle the item, indicating quantity required and send picture to us. We will arrange replacement at first time.

If feel question in assemble, Please feel free to ask us. Customer satisfaction is our prime.

Your order means a lot to us!

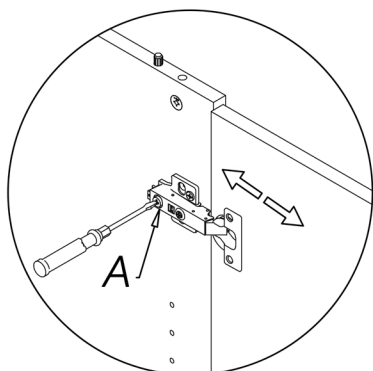
Thank you

TOOLS NEEDED

Crosshead screwdriver
Flat-head screwdriver

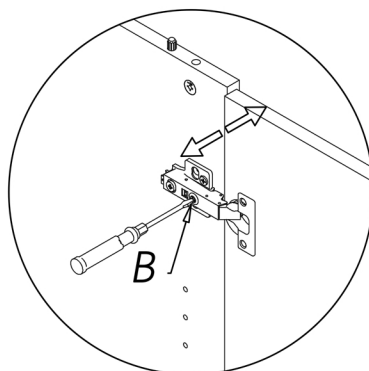


HELPFUL HINTS

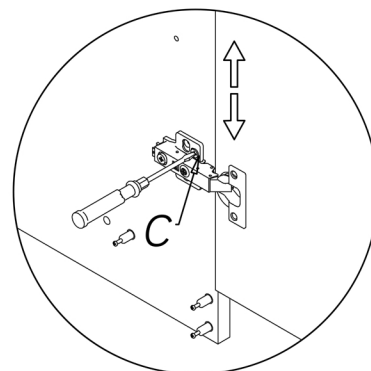


2 pcs

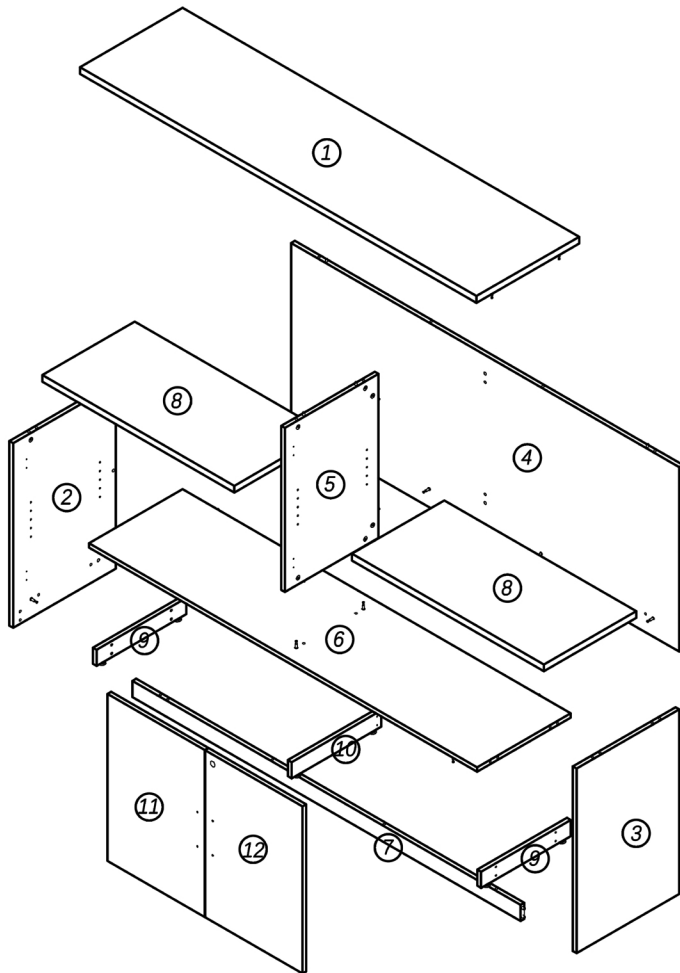
A:the distance between the side plate and the door plate.



B:the level of the door board covering the side of the cabinet.



C:the vertical height of the door plate.



- ① Top Panel
- ② Left Side Panel
- ③ Right Side Panel
- ④ Back Panel
- ⑤ Intersected Panel
- ⑥ Bottom Panel
- ⑦ Base Cover Panel
- ⑧ Adjustive Panel
- ⑨ Side Support Panel
- ⑩ Medium Support Panel
- ⑪ Left Door
- ⑫ Right Door

HELPFUL HINTS

A: Cam Lock
Φ 15*11mm



33 pcs

B: Cam Bolt
Φ 6*35mm



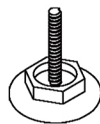
33 pcs

C: Wooden Dowel
Φ 8*30mm



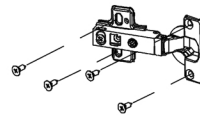
31 pcs

D: Glider
M6*25



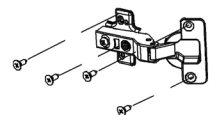
6 pcs

E: Full cover hinge



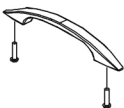
2 pcs

F: Embedded hinge



2 pcs

G: Handle



2 pcs

H: Lock catch



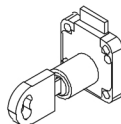
1 pc

I: Screw
Φ 3*10mm



5 pcs

J: Lock



1 pc

K: Lock catch



1 pc

L: Screw
Φ 4*20mm



5 pcs

M: Shelf support



8 pcs

N: Screw
Φ4*25mm



9 pcs

O: Screw
Φ4*13mm



9 pcs

P: Bracket
45*25mm



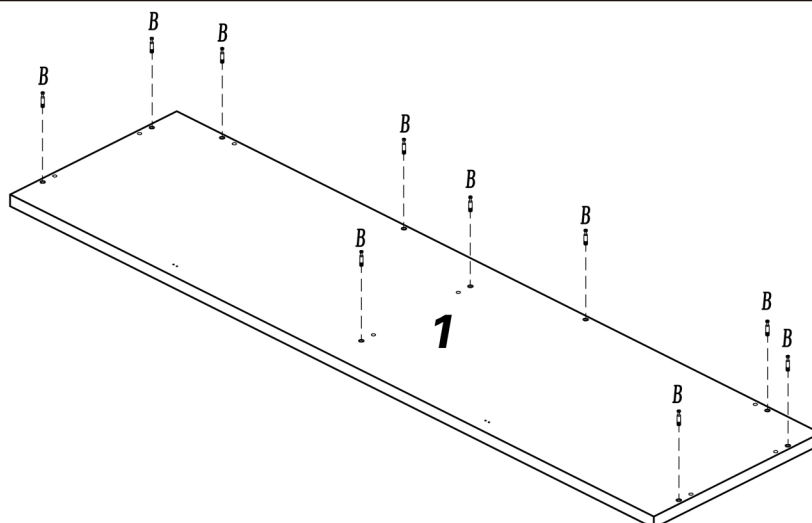
2 pcs

Q: Plug (low)
Φ 15mm

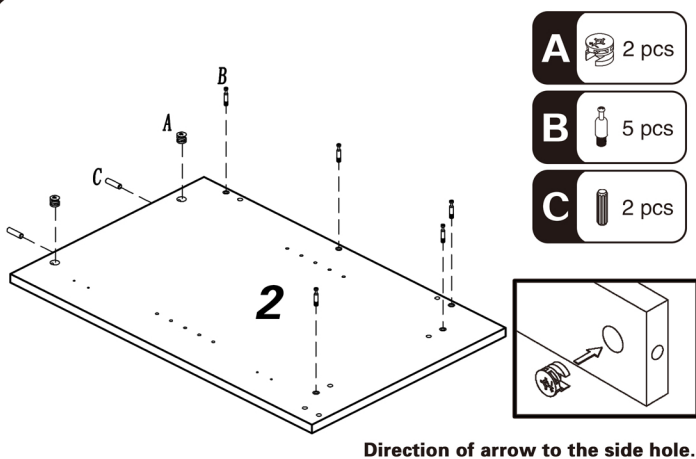


33 pcs

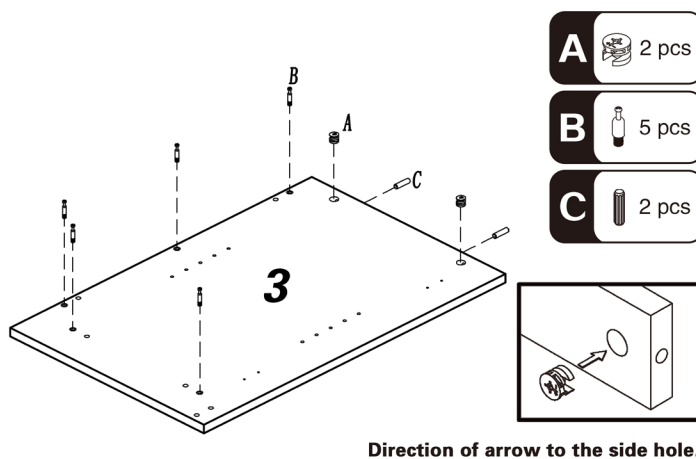
STEP 1



STEP 2



STEP 3

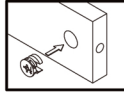


STEP 4

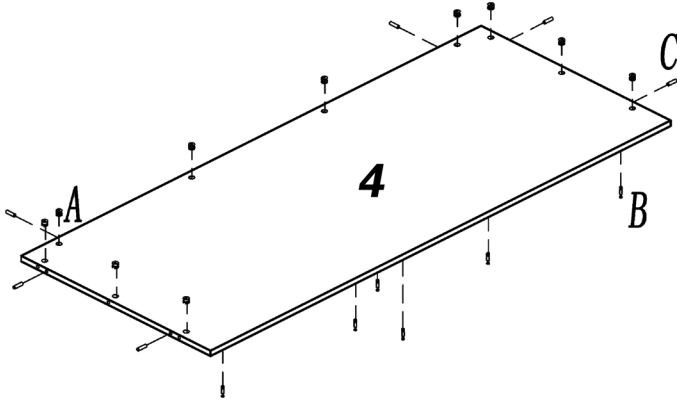
A  10 pcs

B  6 pcs

C  6 pcs



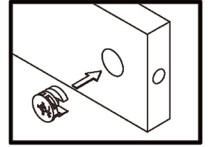
Direction of arrow to the side hole.



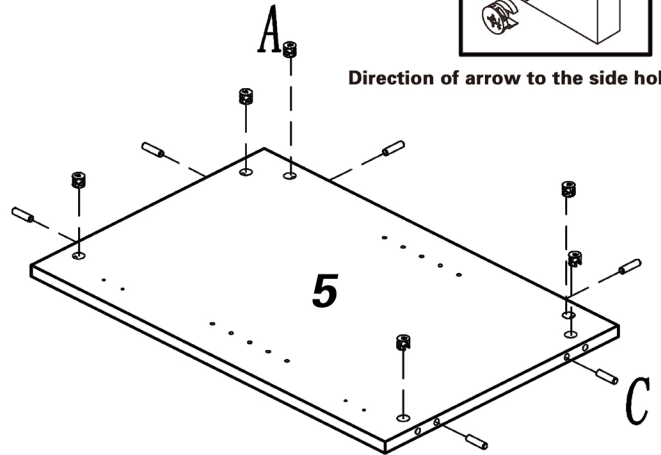
STEP 5

A  6 pcs

C  6 pcs



Direction of arrow to the side hole.

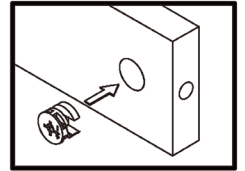


STEP 6

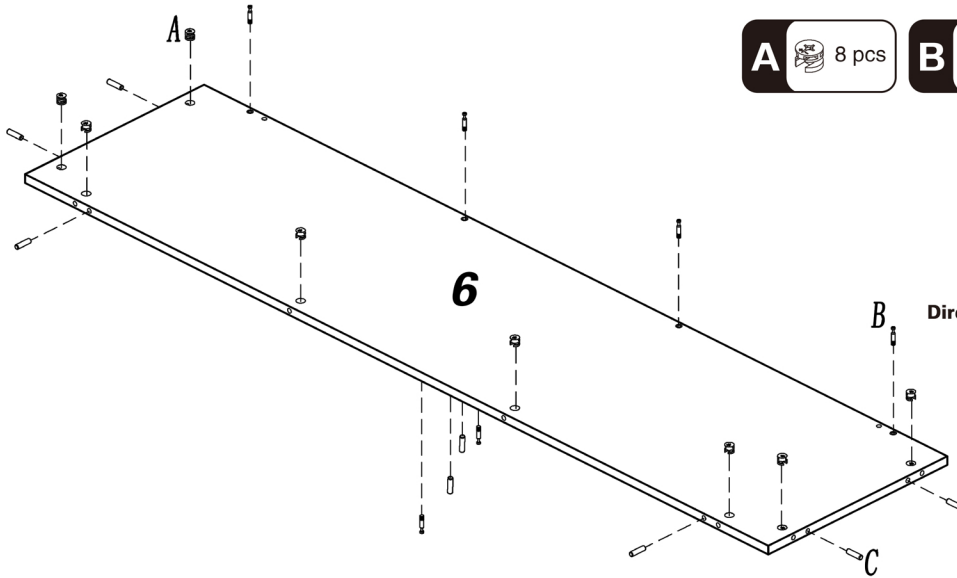
A  8 pcs

B  6 pcs

C  8 pcs



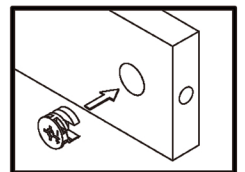
Direction of arrow to the side hole.



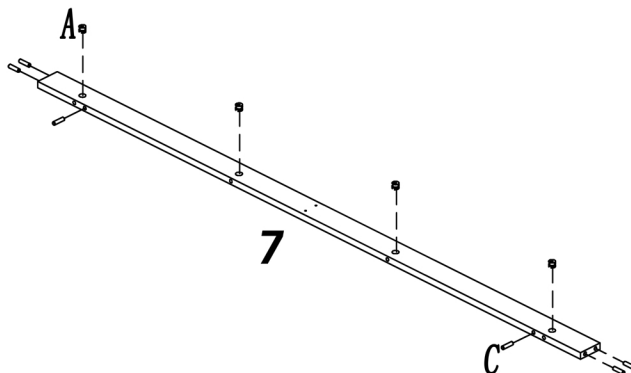
STEP 7

A  4 pcs

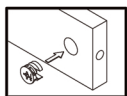
C  6 pcs



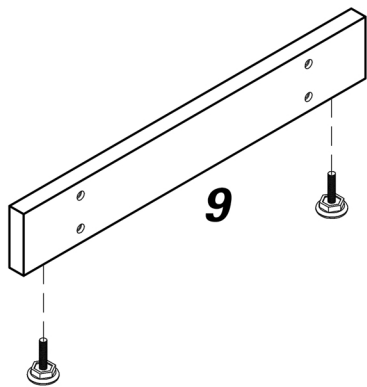
Direction of arrow to the side hole.



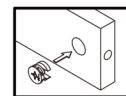
STEP 8



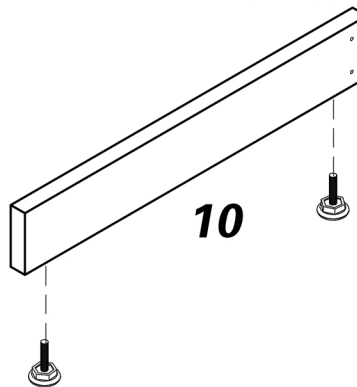
Direction of arrow to the side hole.



STEP 9



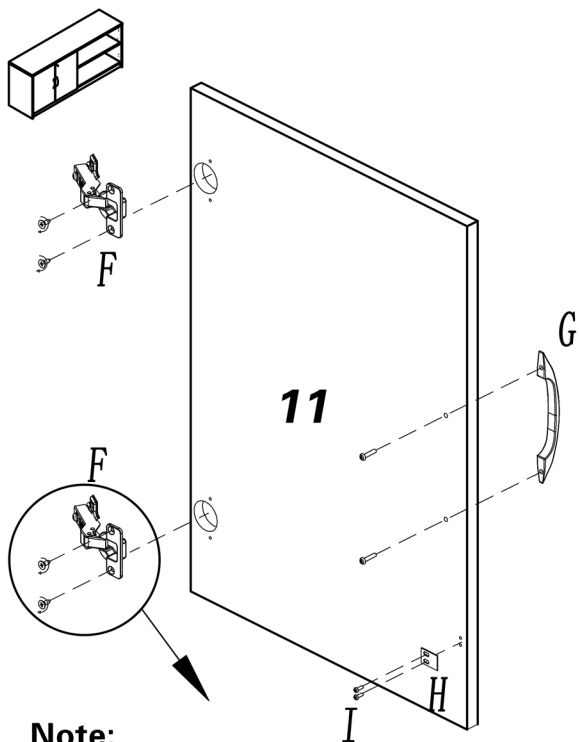
Direction of arrow to the side hole.



STEP 10



Left door on left cabinet.

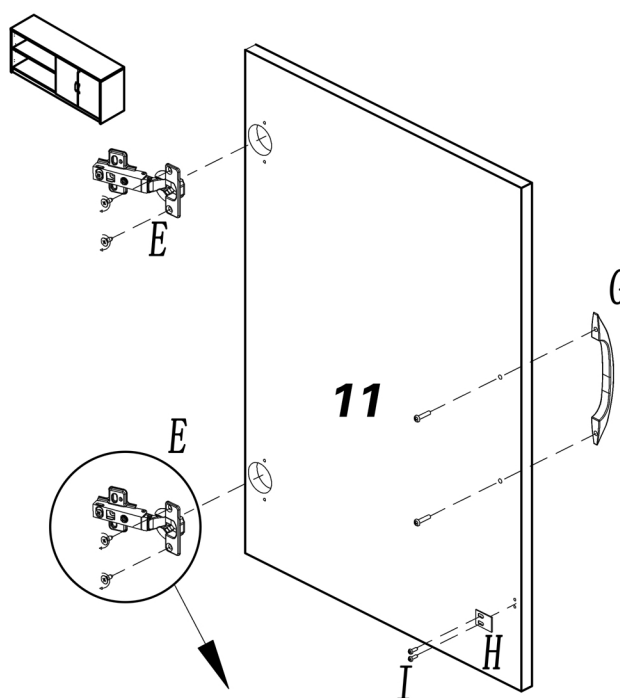


Note:

1. pay attention to the hinge type.
2. Use the extra screws in hardware E or F.



Left door on right cabinet.



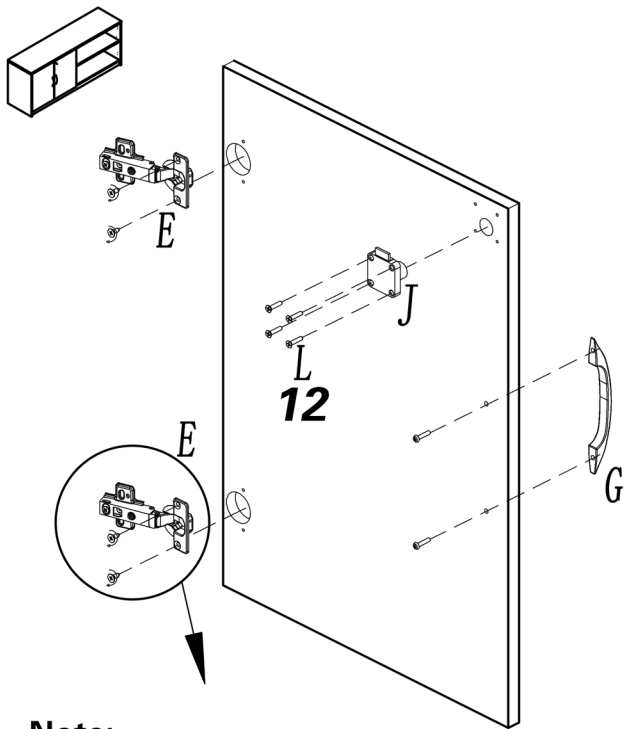
Note:

1. pay attention to the hinge type.
2. Use the extra screws in hardware E or F.

STEP 11



Left door on left cabinet.

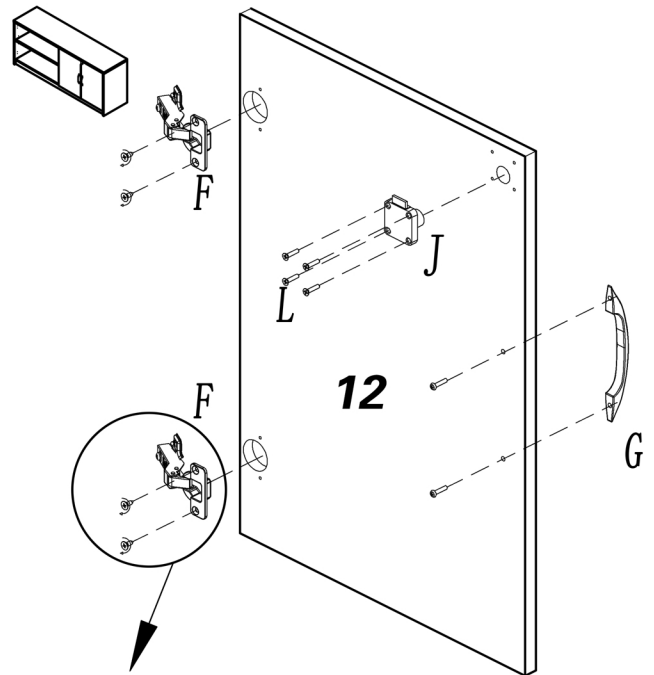


Note:

1. pay attention to the hinge type.
2. Use the extra screws in hardware E or F.



Left door on right cabinet.

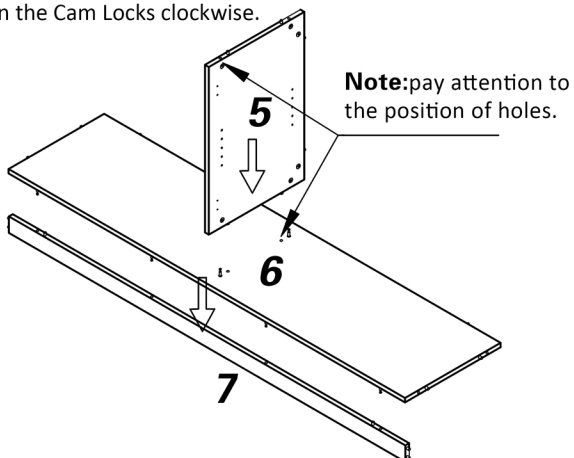
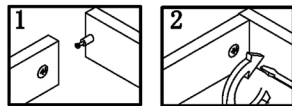


Note:

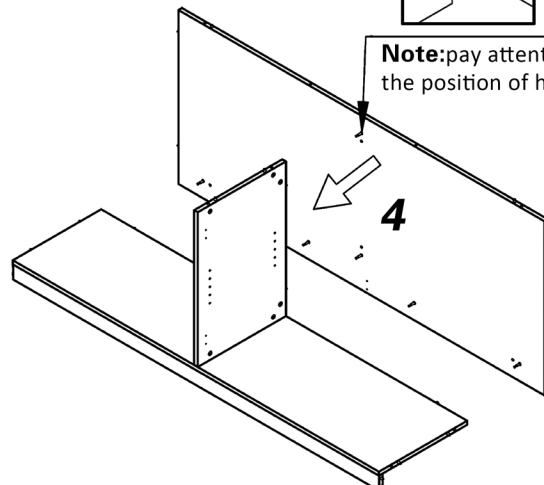
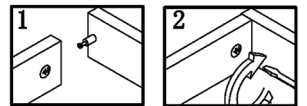
1. pay attention to the hinge type.
2. Use the extra screws in hardware E or F.

STEP 12

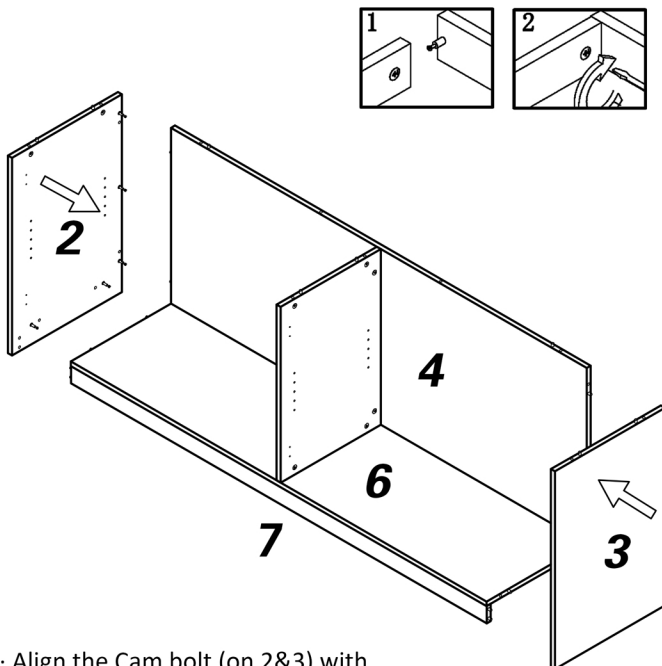
- Align the Cam bolt and Wooden Dowel (on 6) with corresponding holes (in 5&7).
- Fasten the Cam Locks clockwise.



STEP 13

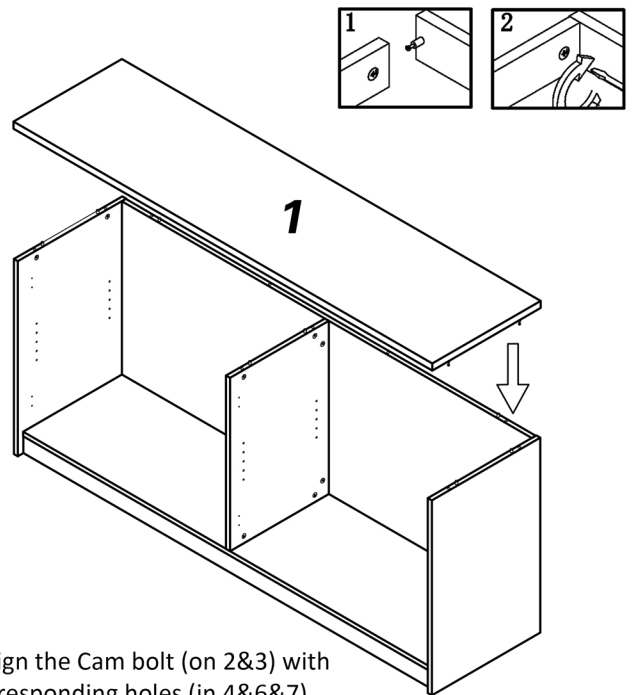


STEP 14



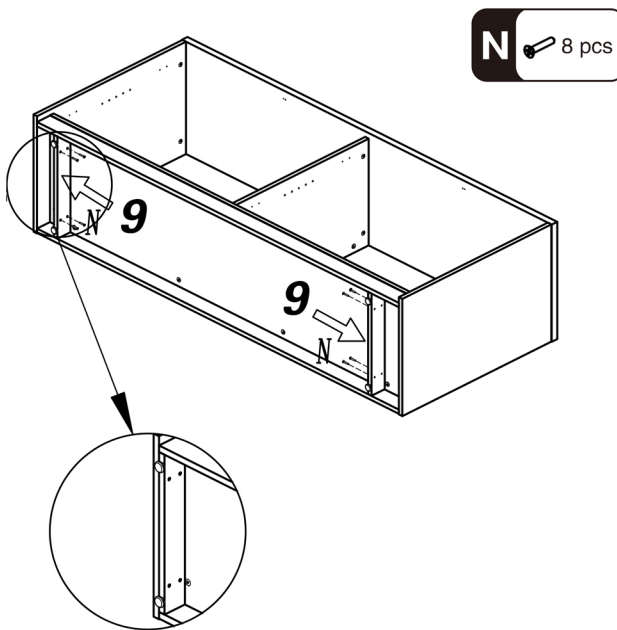
- Align the Cam bolt (on 2&3) with corresponding holes (in 4&6&7).
- Fasten the Cam Locks clockwise.

STEP 15



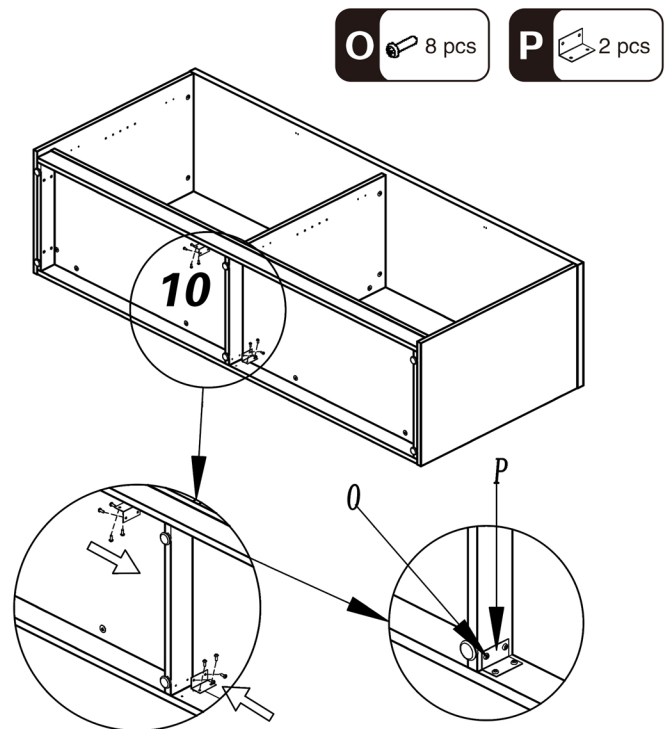
- Align the Cam bolt (on 2&3) with corresponding holes (in 4&6&7).
- Fasten the Cam Locks clockwise.

STEP 16



- Wepped the plate 9 and locked it with the side plate with screws.

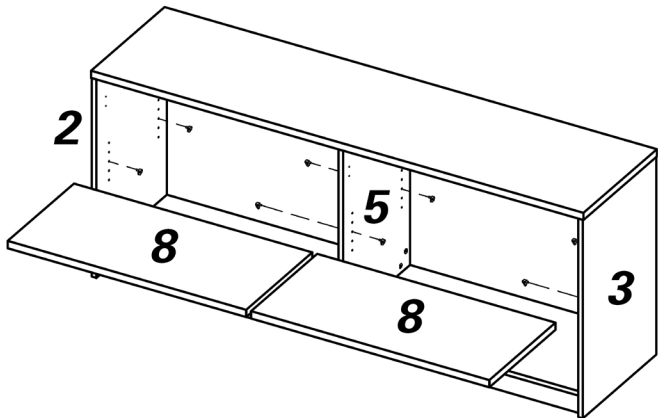
STEP 17



- Fixed the plate 10 under the base plate with bracket and screws.

STEP 18

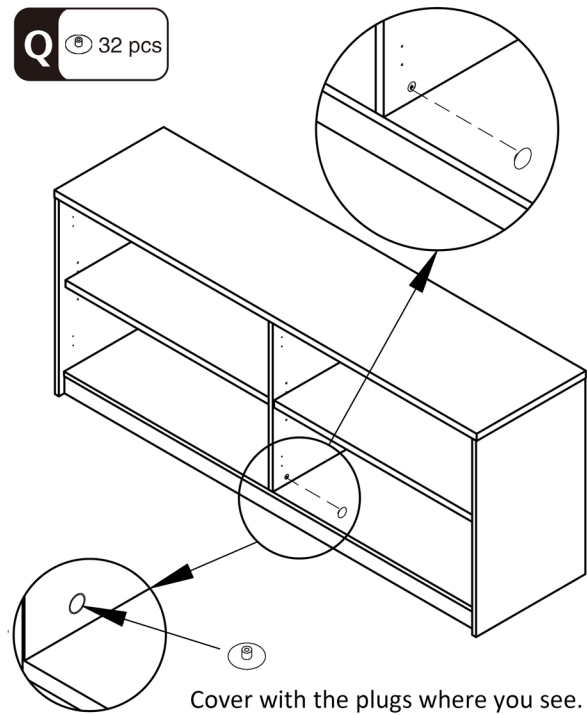
M 8 pcs



- Insert the shelf supports into the holes (in 2&3&5).
- Put the plate(8) on the shelf supports.

STEP 19

Q 32 pcs



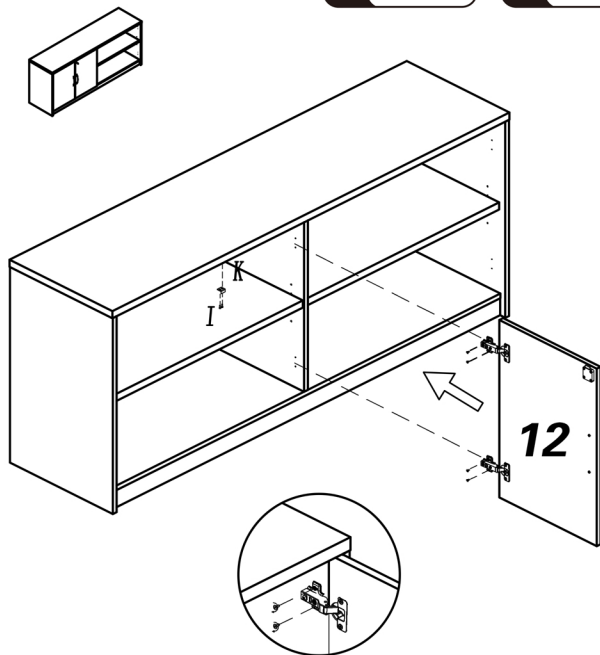
Cover with the plugs where you see.

STEP 20

Left cabinet

I 2 pcs

K 1 pc

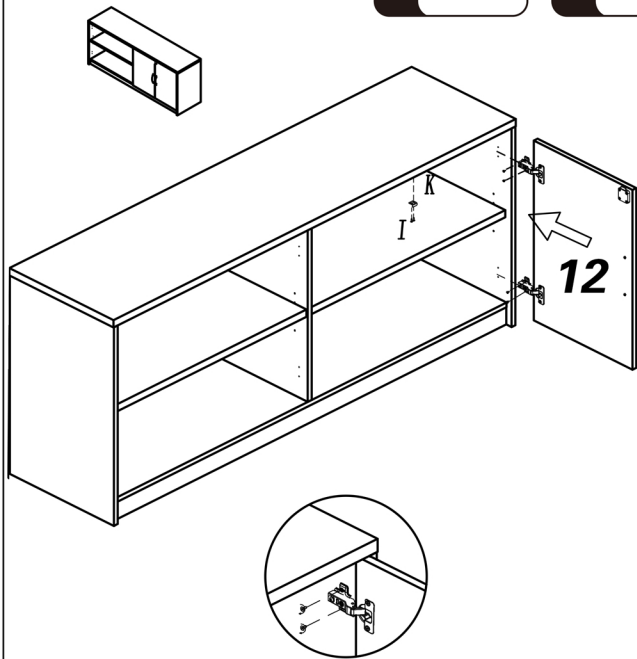


Use the extra screws in hardware E or F.

Right cabinet

I 2 pcs

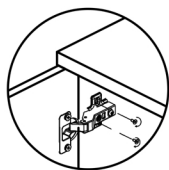
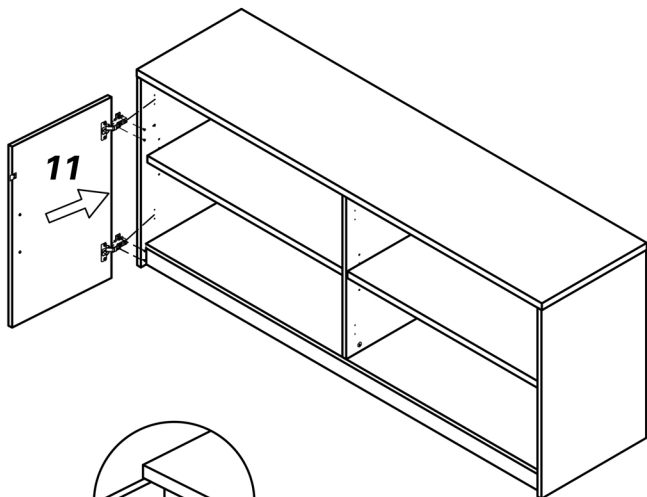
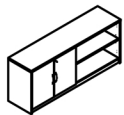
K 1 pc



Use the extra screws in hardware E or F.

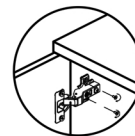
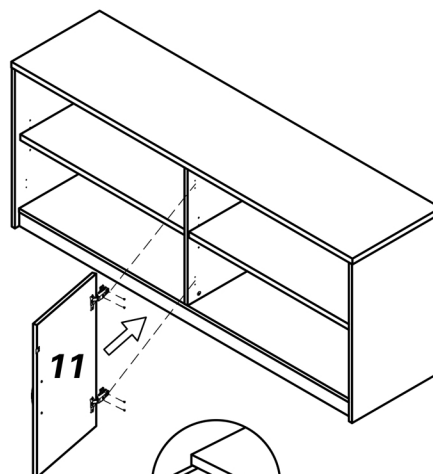
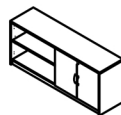
STEP 21

Left cabinet



Use the extra screws in hardware E or F.

Right cabinet



Use the extra screws in hardware E or F.

Thank you for your recent order.

We strive to provide customers with great services and satisfaction.

If any questions, please contact us.

Our customer support team is ready to help!