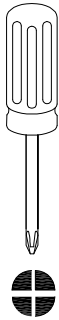




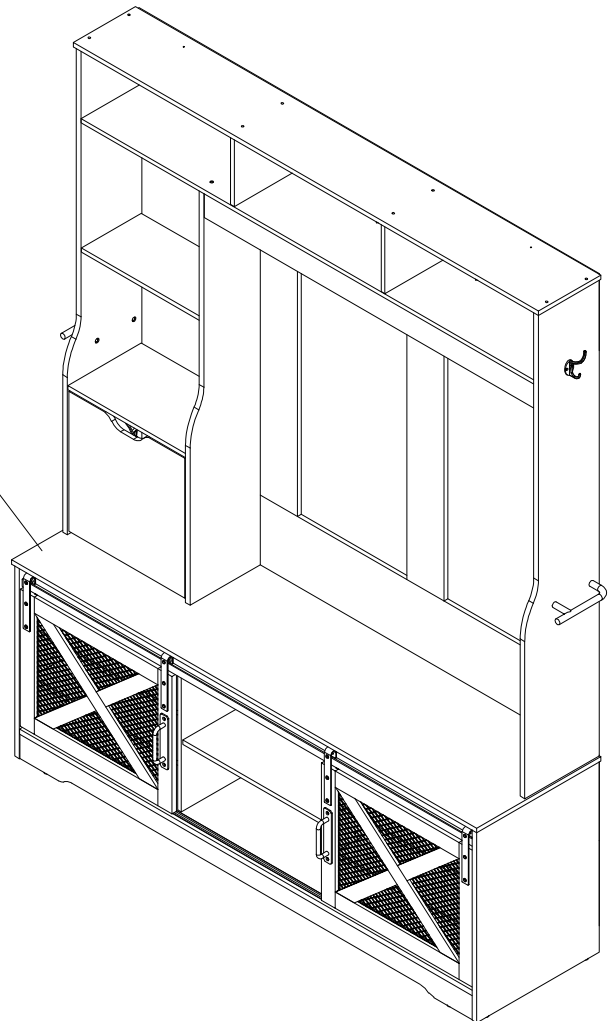
**Weight Limitation**

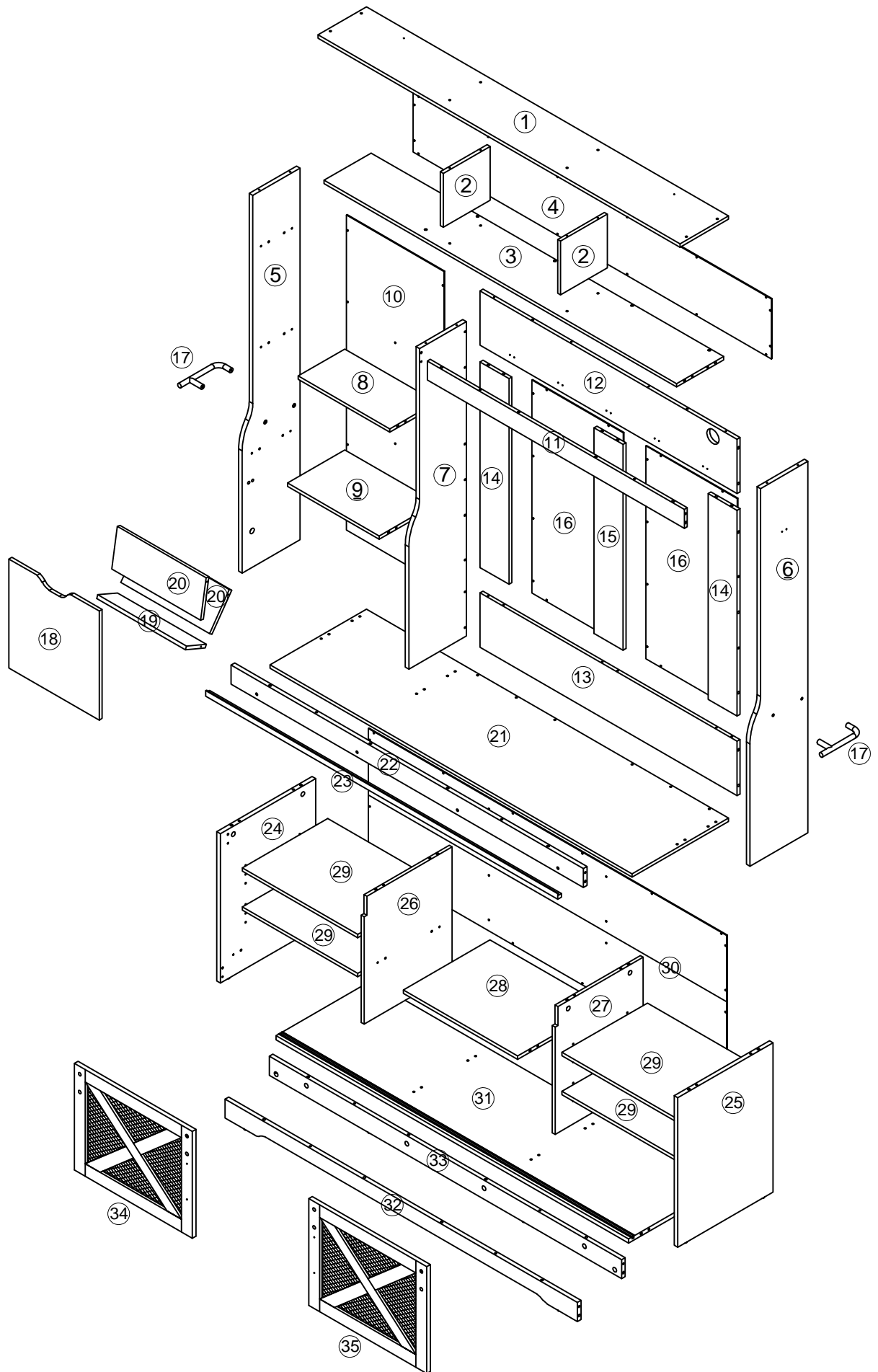
**55 lb** lift top status **110 lb** Top

**Tools Needed (Not included)**



Maximum Load  
110 LB / 50 Kg





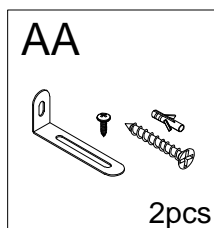
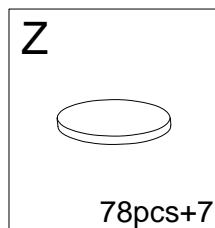
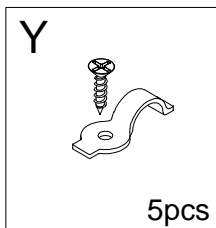
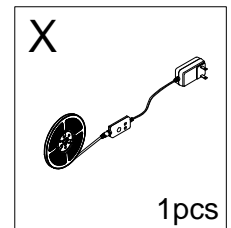
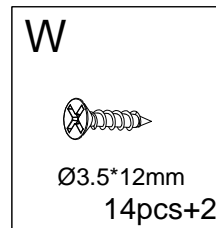
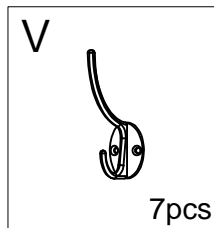
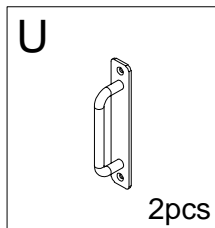
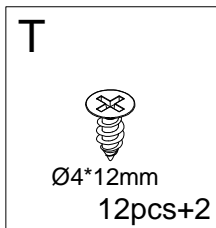
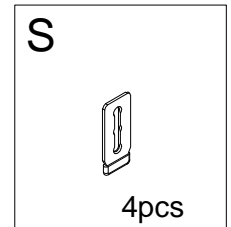
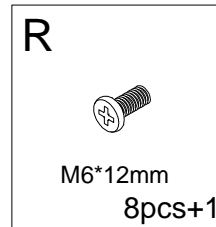
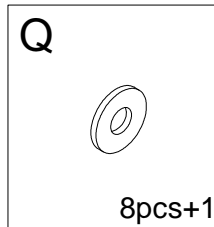
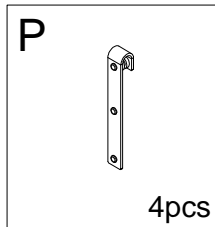
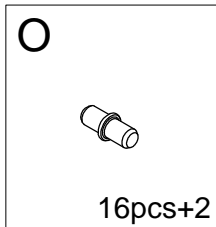
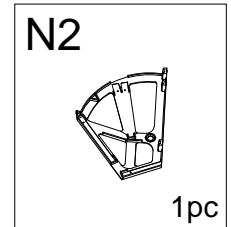
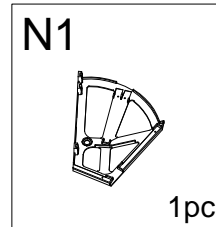
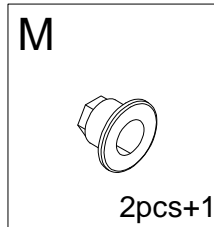
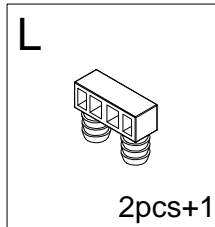
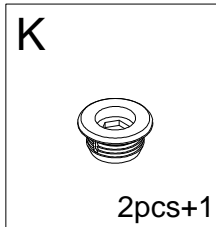
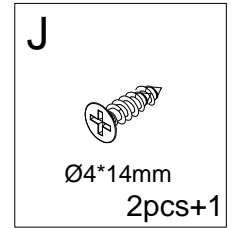
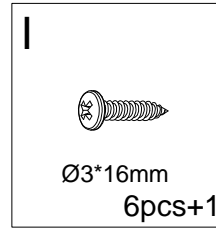
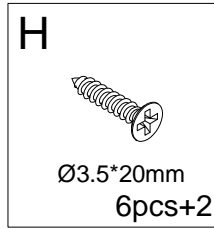
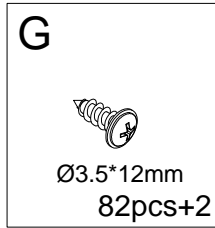
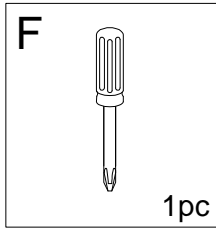
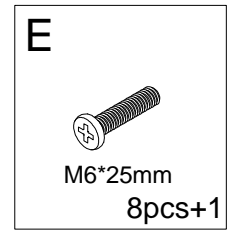
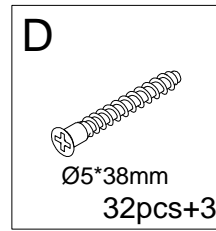
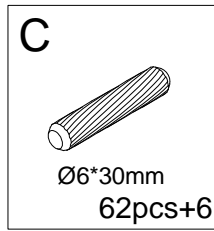
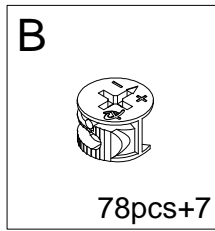
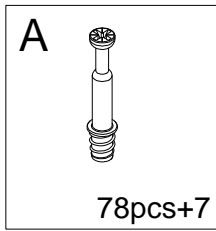
## PACKAGE CONTENT (A)

CODE	DESCRIPTION	QTY
1	Top panel	1
2	Upper partition	2
3	Upper layer board	1
4	Upper back panel	1
5	Upper left panel	1
6	Upper right side panel	1
7	Upper neutral board	1
8	Upper left panel	1
9	Lower left panel	1
10	Left back panel	1
11	Upper front pull bar	1
12	Upper and rear pull bars	1
13	Lower rear pull rod	1
14	Left and right pull bars	2
15	Middle pull rod	1
16	Middle back panel	2
17	Hanging rod	2
18	Flip door panel	1
19	Small flip layer board	1
20	Large flip layer board	2

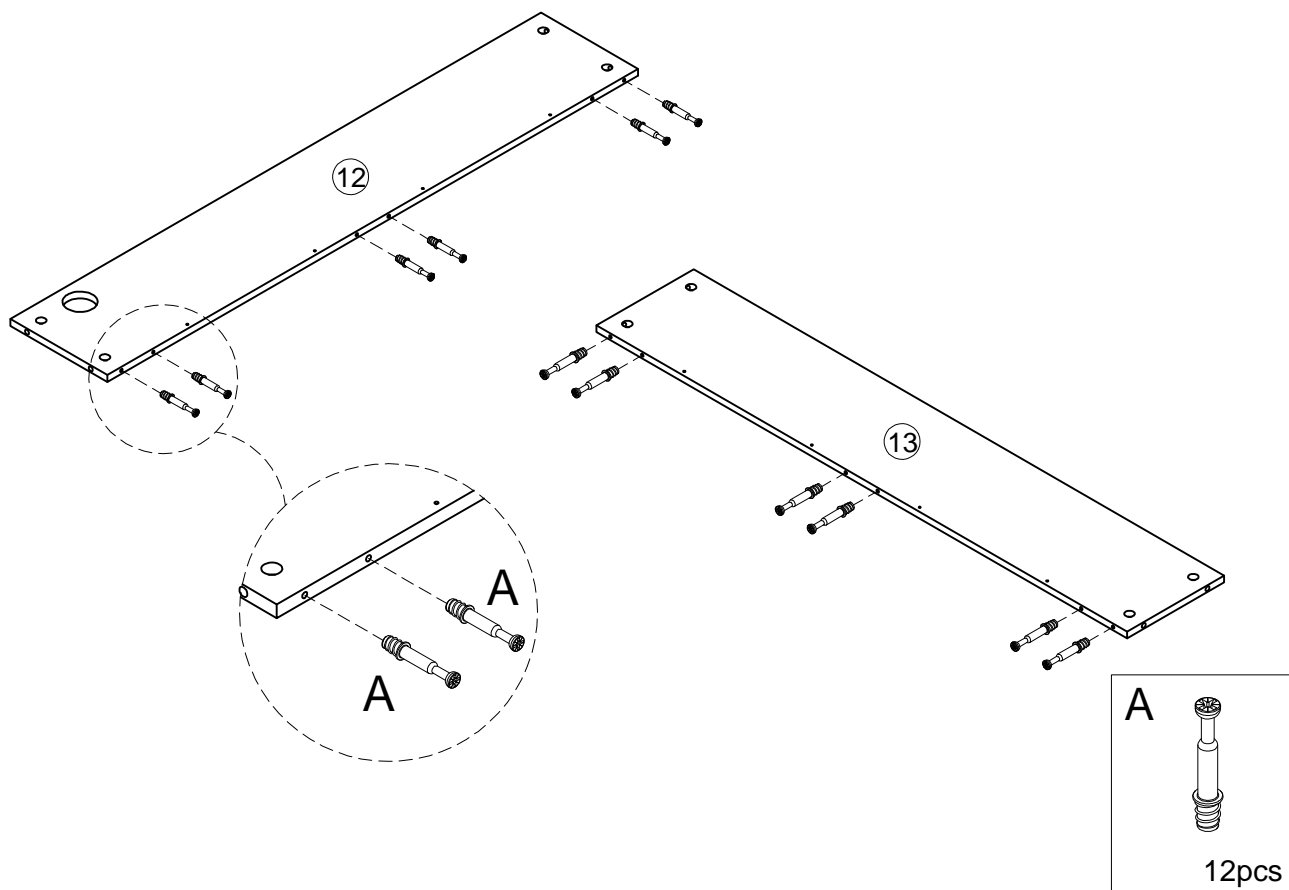
## PACKAGE CONTENT (A)

CODE	DESCRIPTION	QTY
21	Countertop panel	1
22	Chute hanging plate	1
23	Chutes	1
24	Lower left panel	1
25	Lower right panel	1
26	Lower left neutral board	1
27	Lower right neutral board	1
28	Lower fixed layer board	1
29	Lower activity layer board	4
30	Lower back panel	1
31	Bottom plate	1
32	Bottom front bumper	1
33	Bottom rear bumper	1
34	Lower left door panel	1
35	Lower right door panel	1

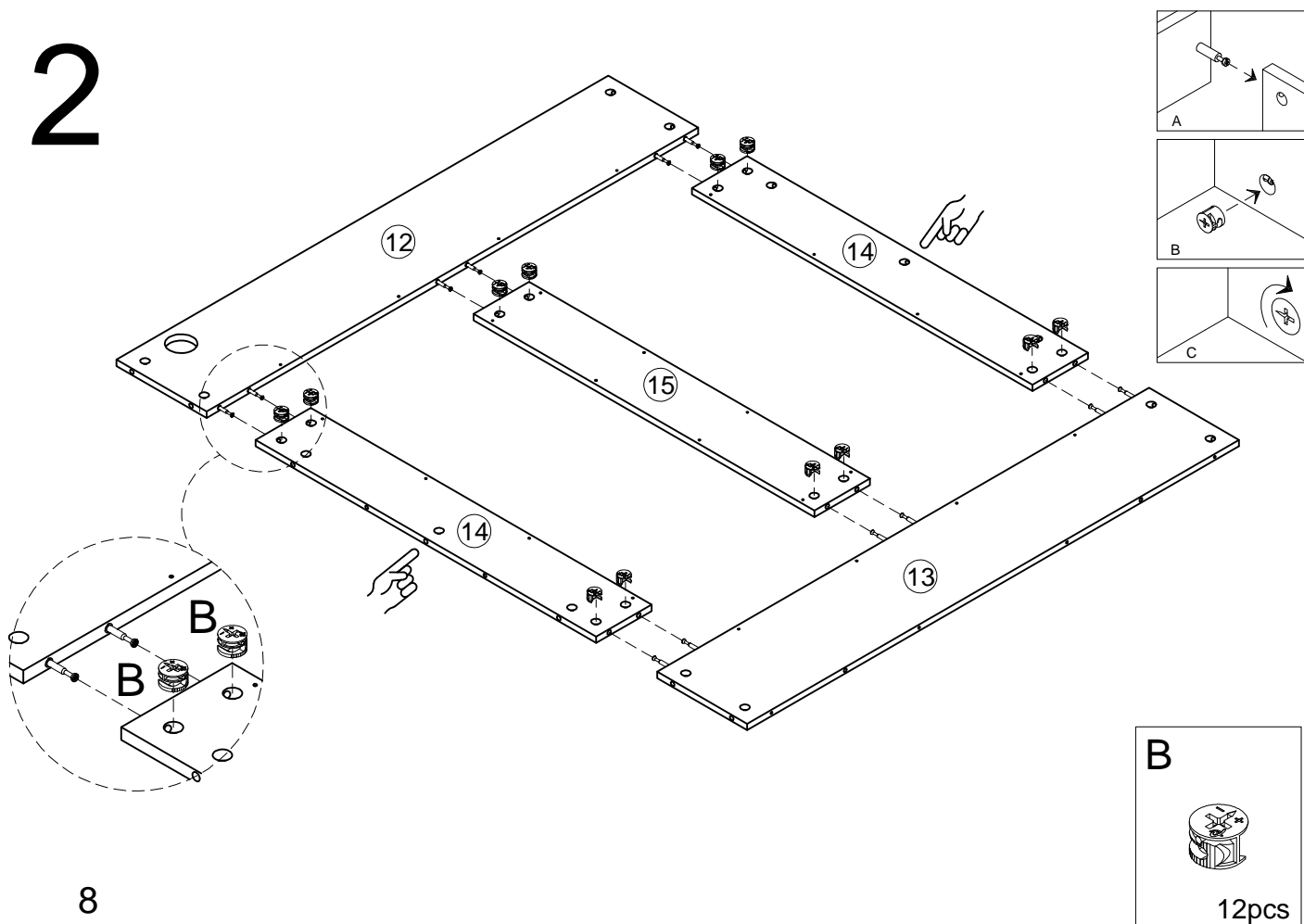
# PACKAGE CONTENT



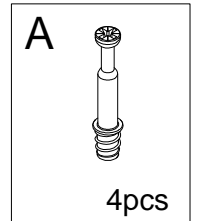
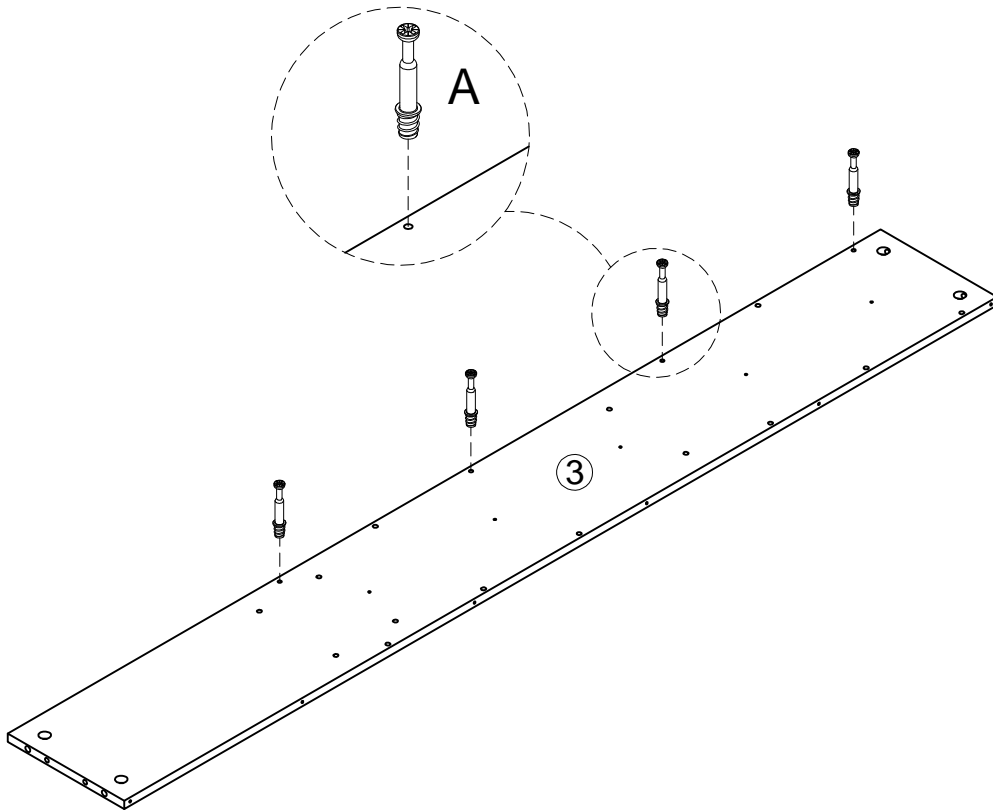
# 1



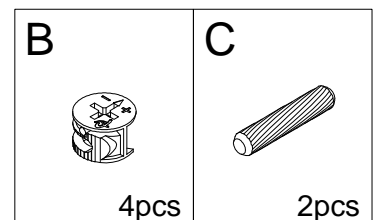
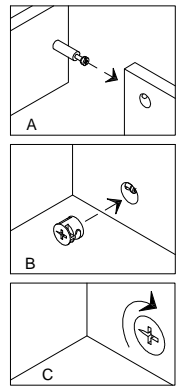
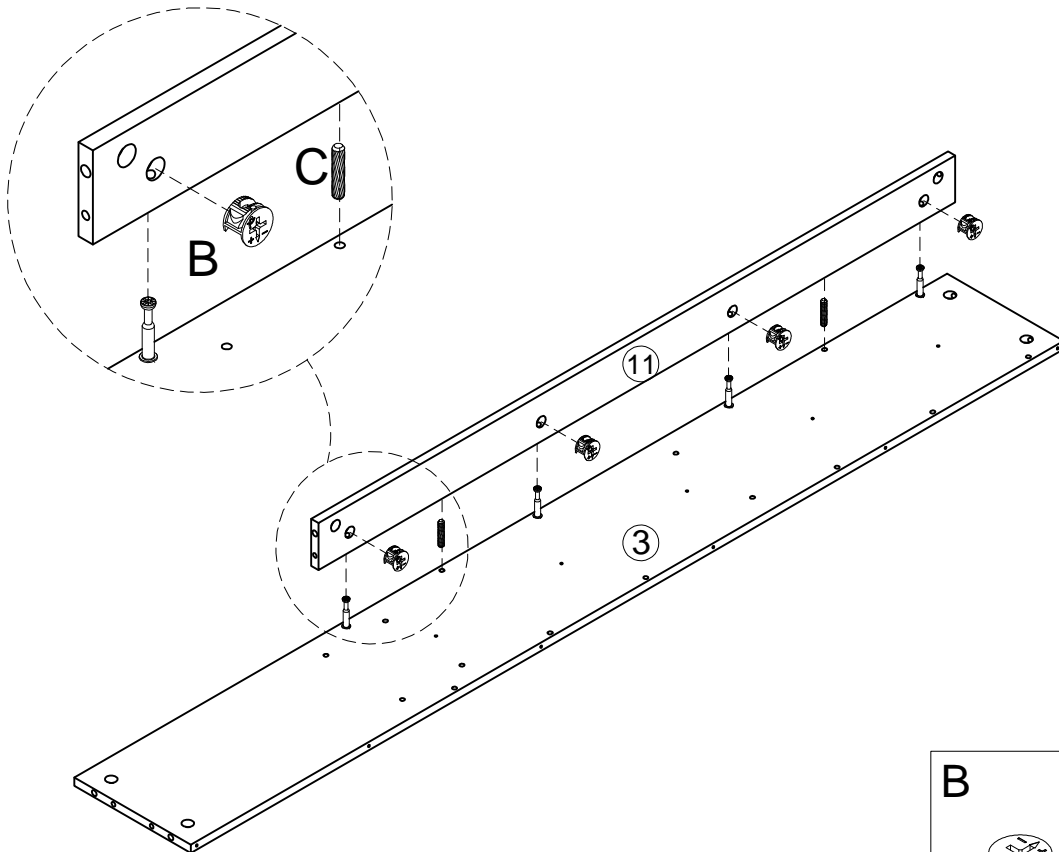
# 2



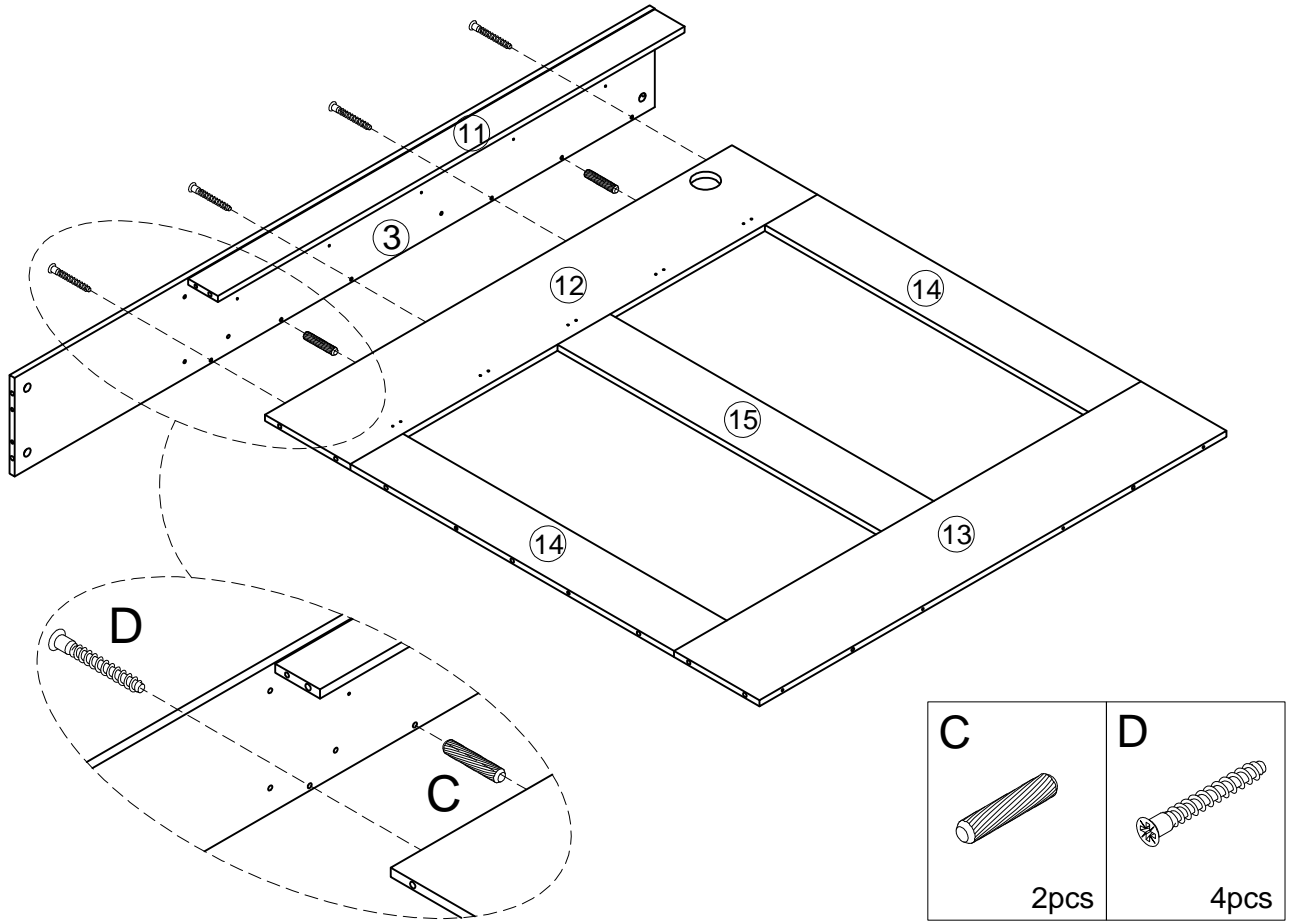
# 3



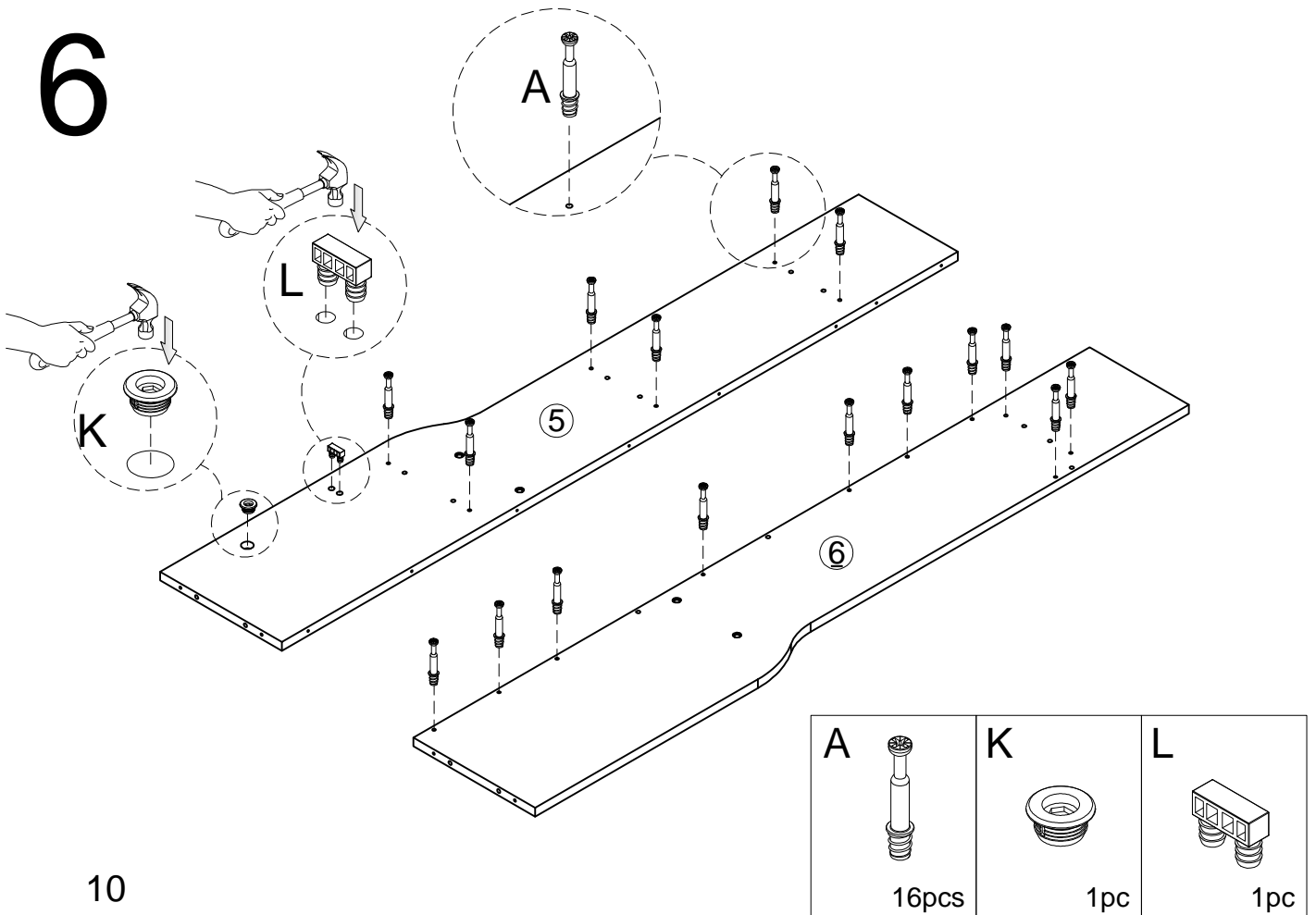
# 4



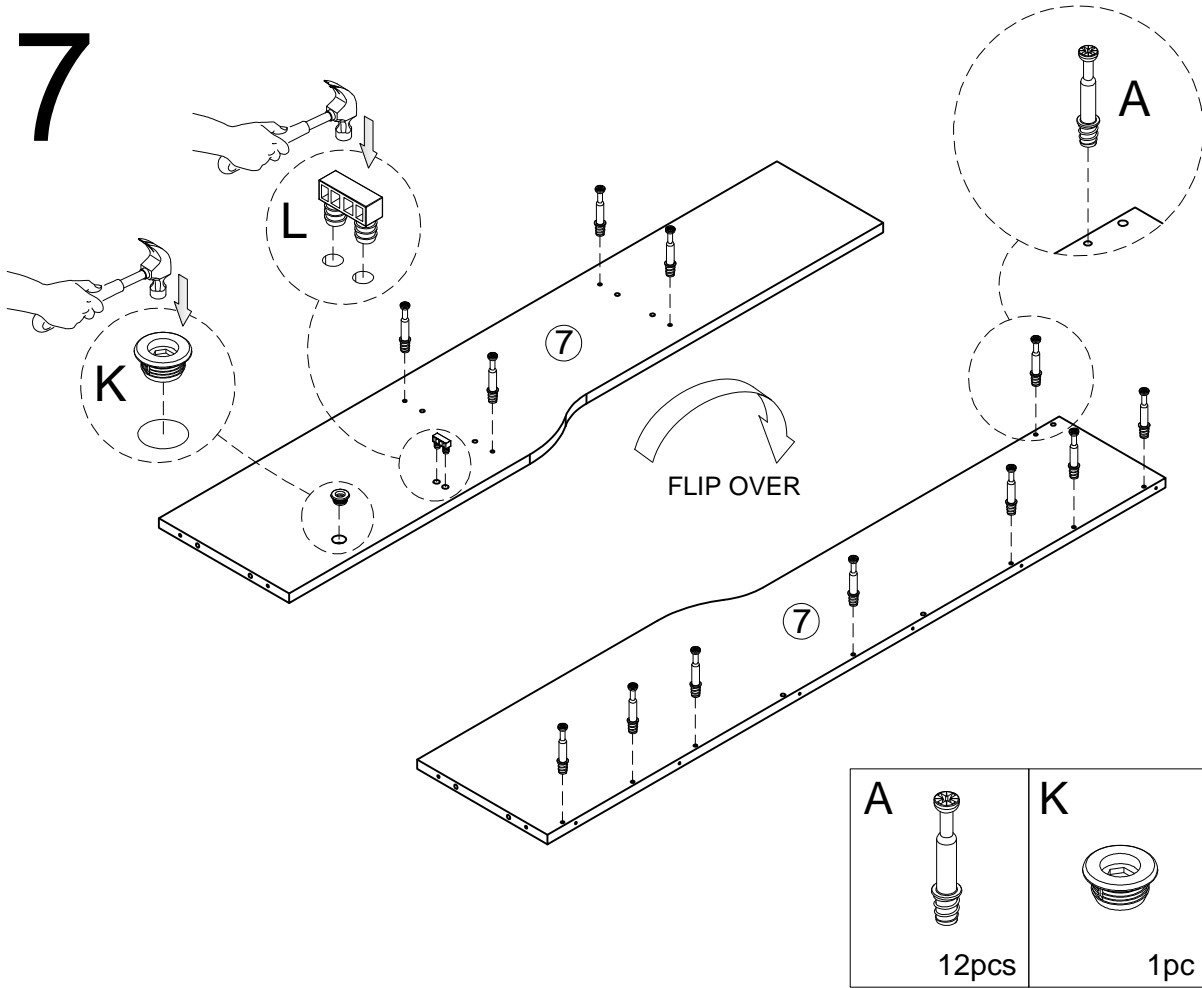
# 5



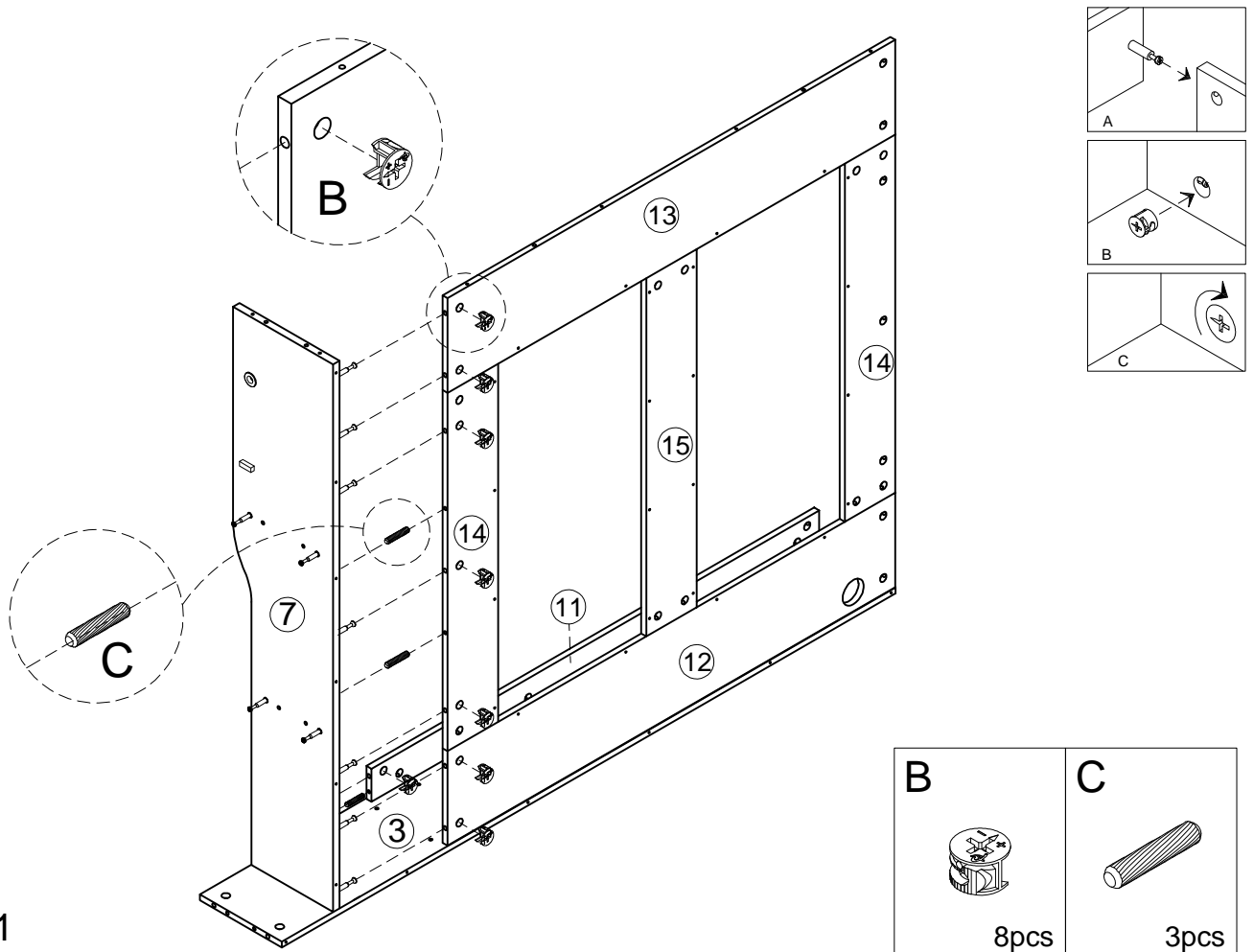
# 6



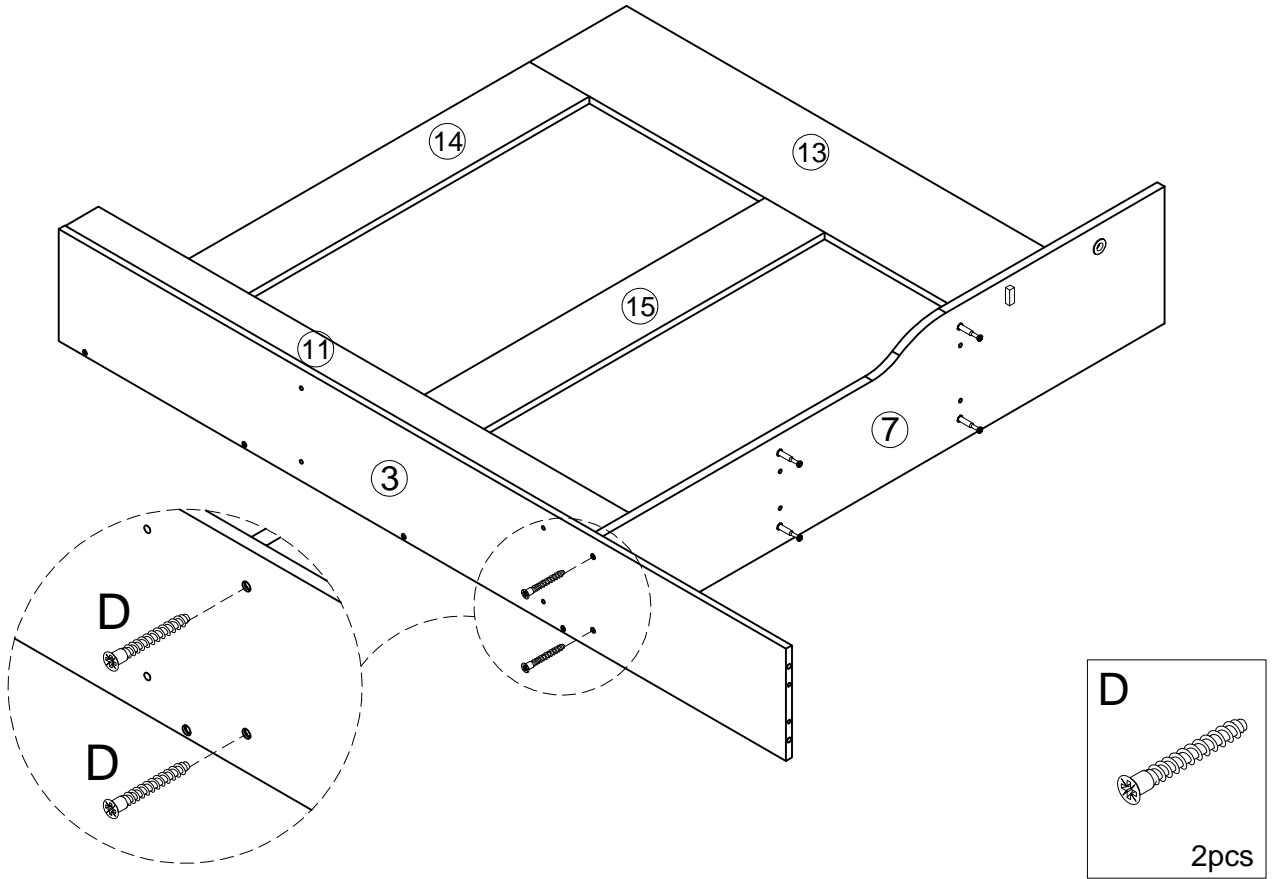
# 7



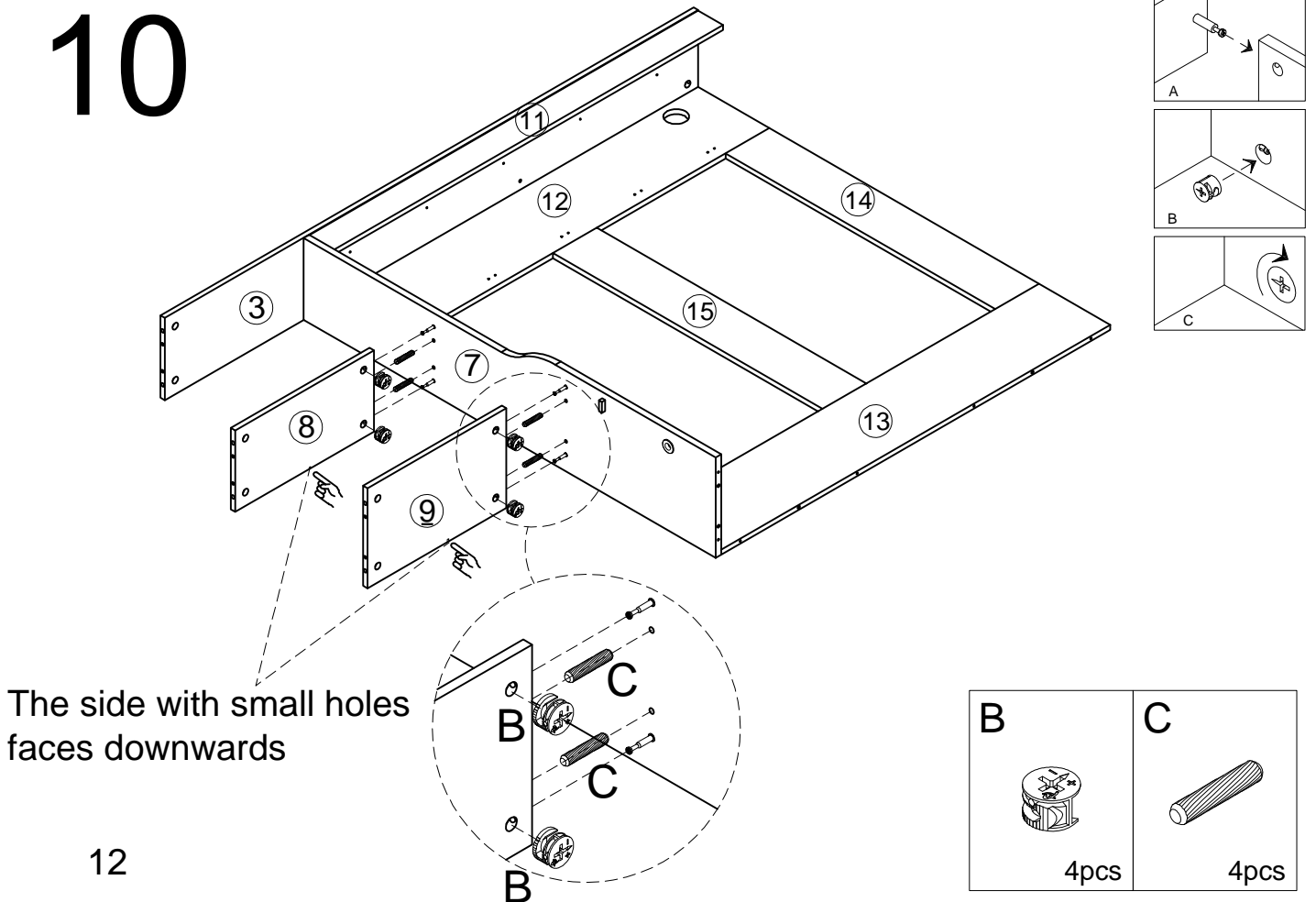
# 8



# 9

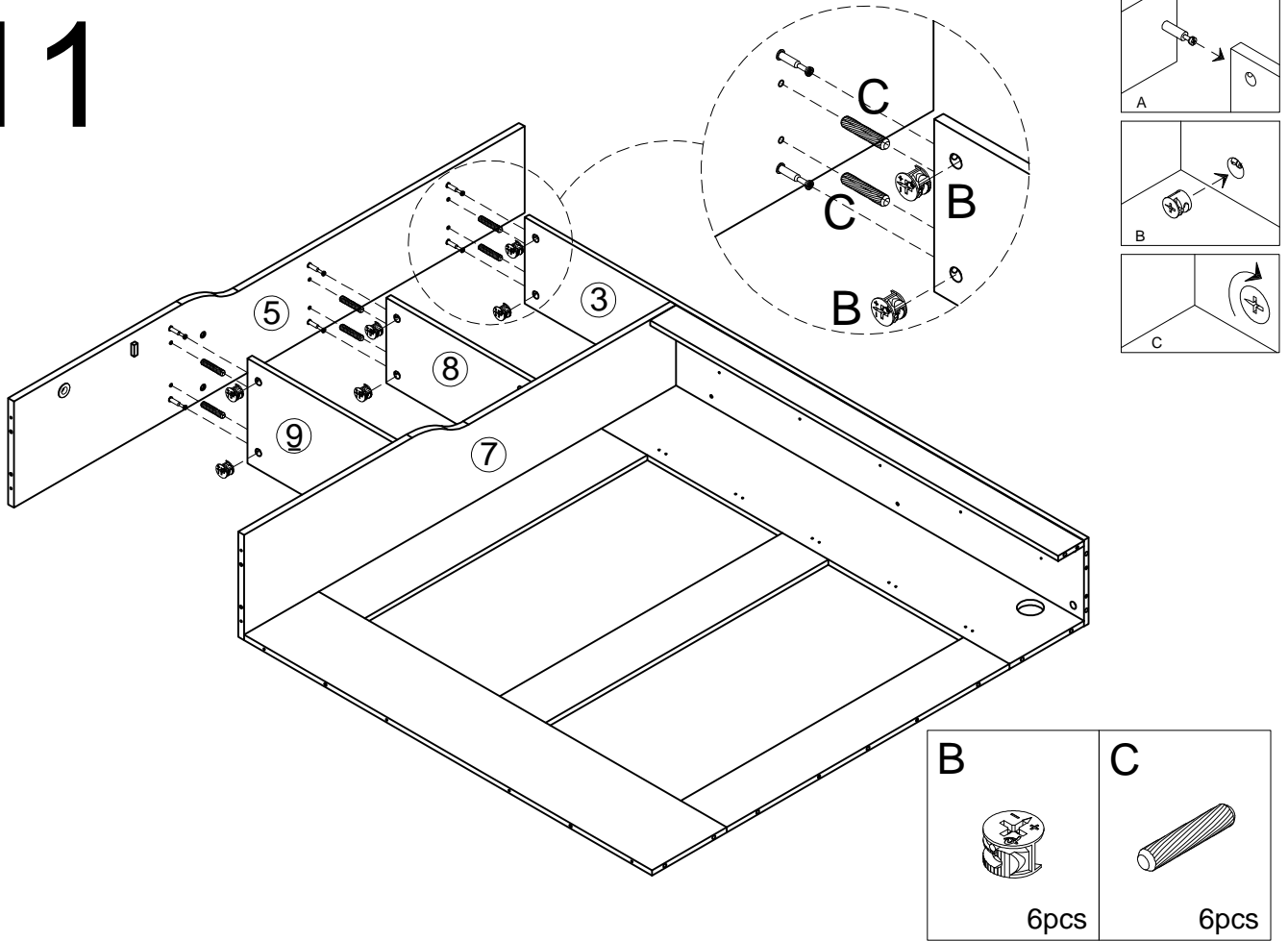


# 10

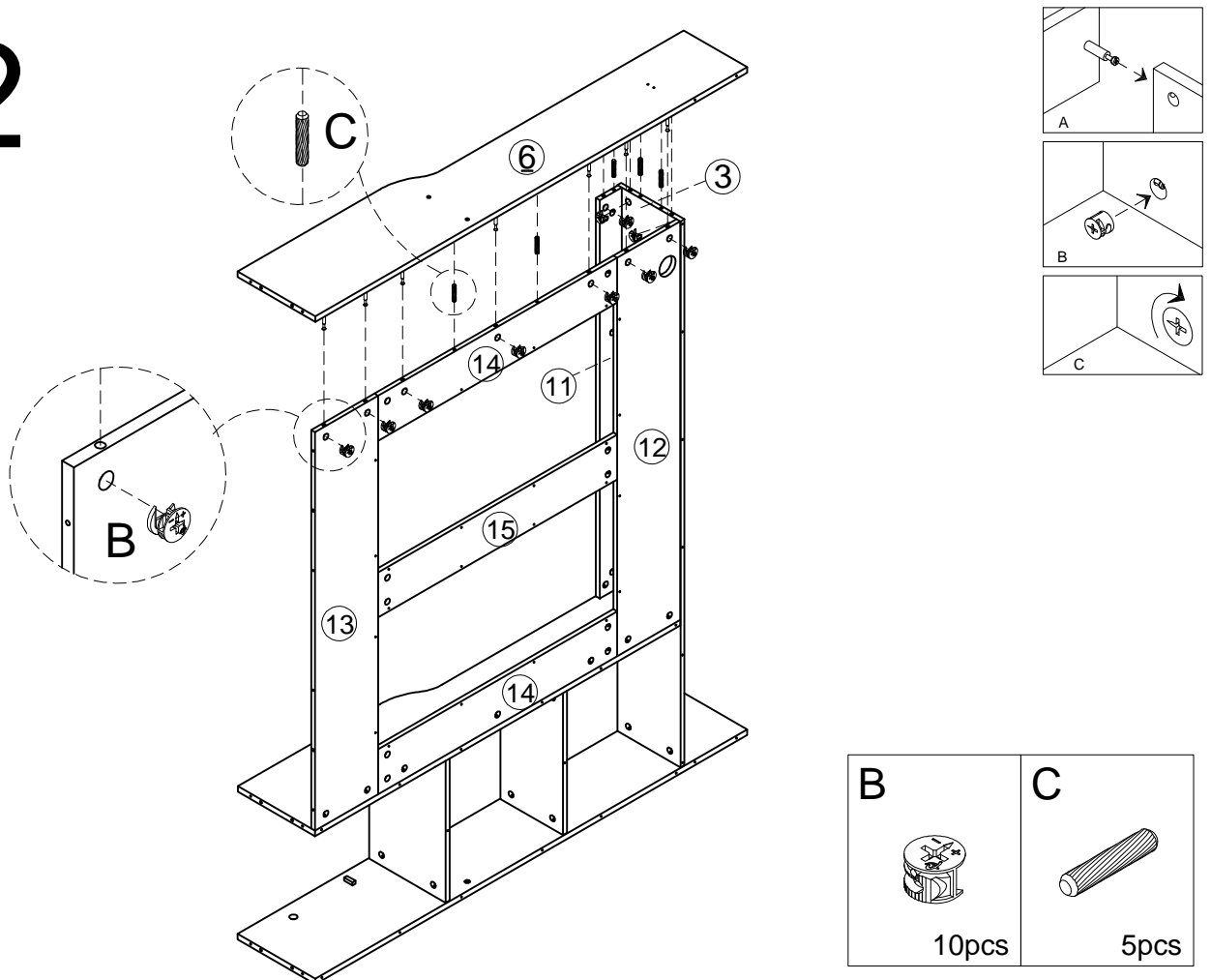


12

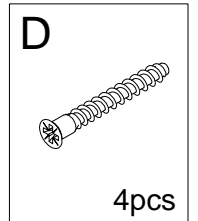
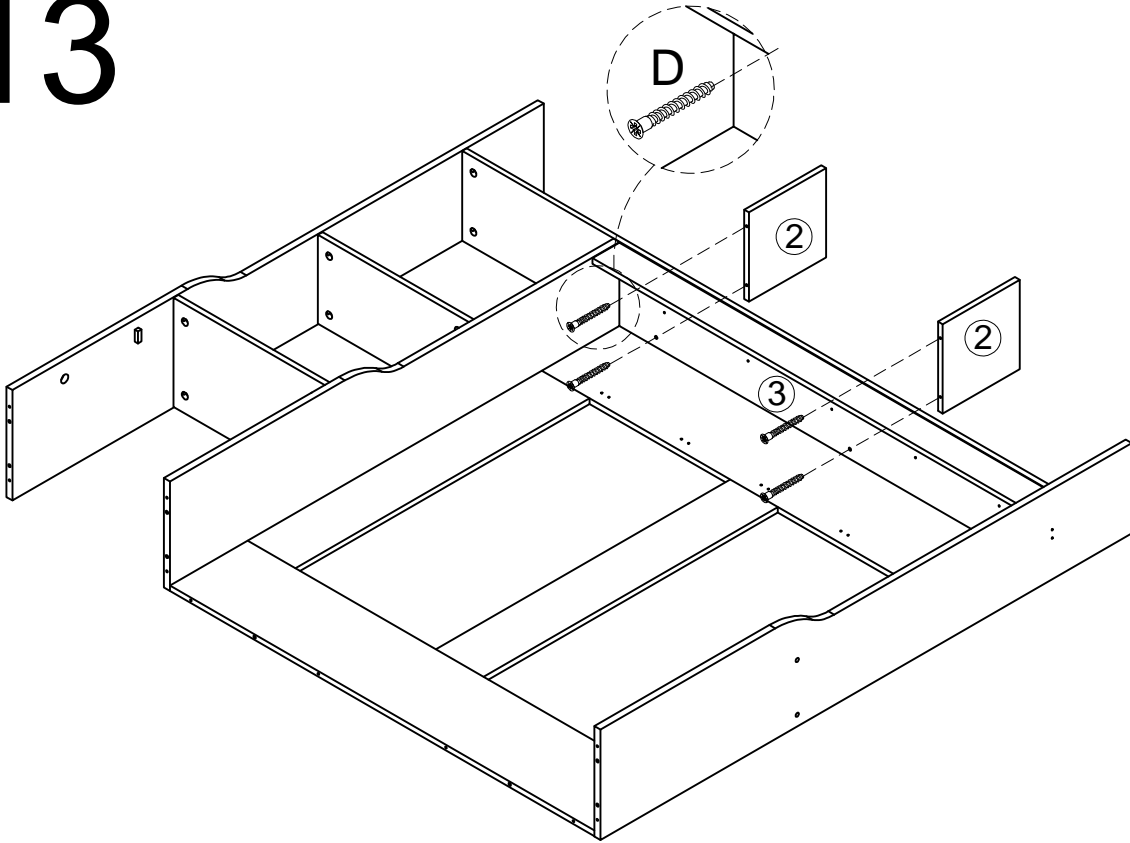
# 11



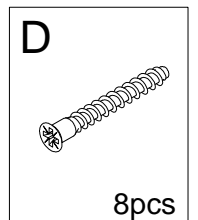
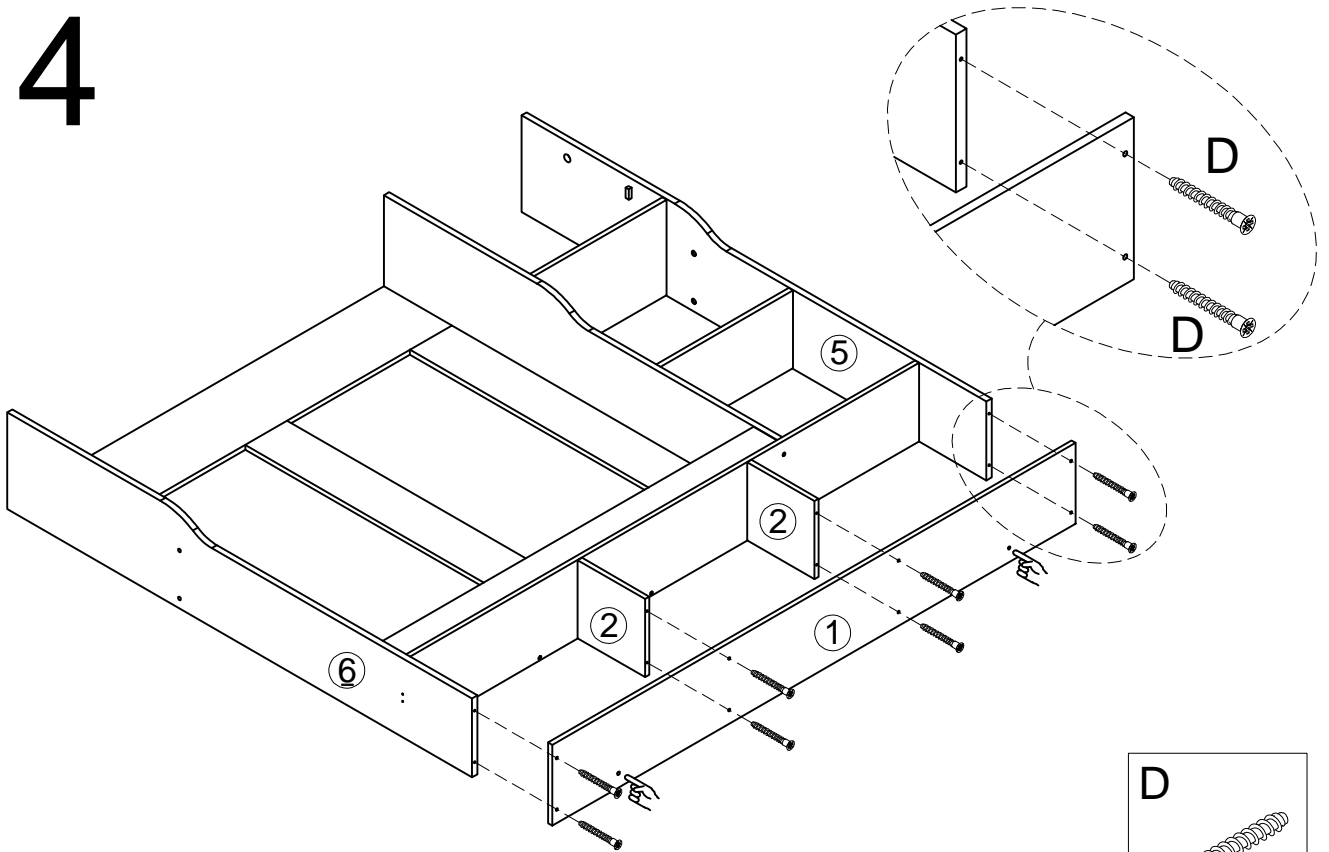
# 12



# 13

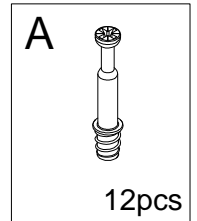
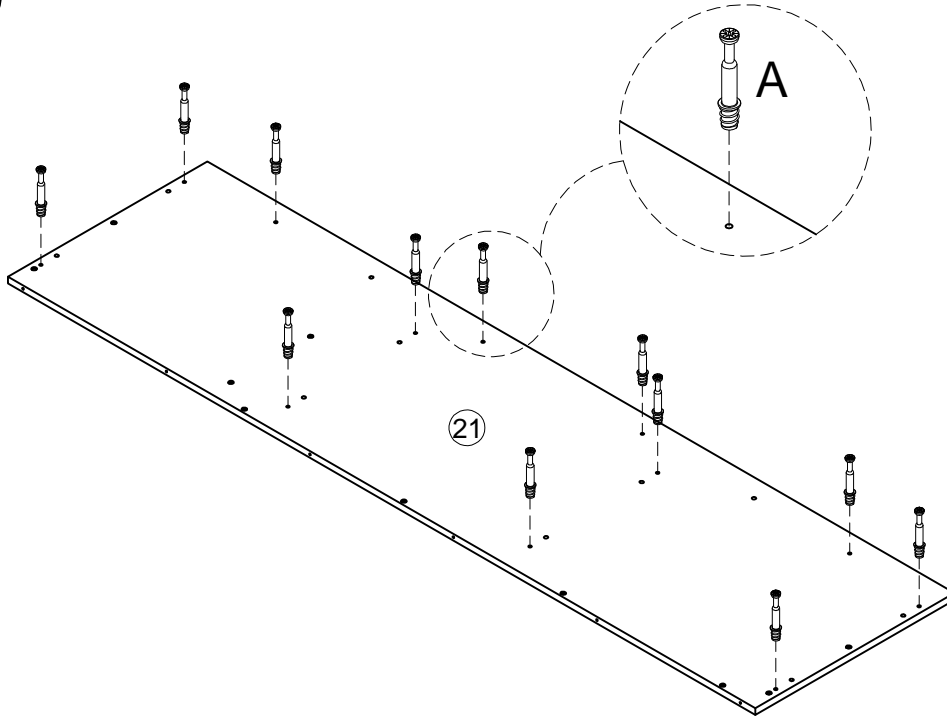


# 14

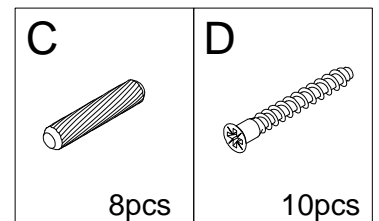
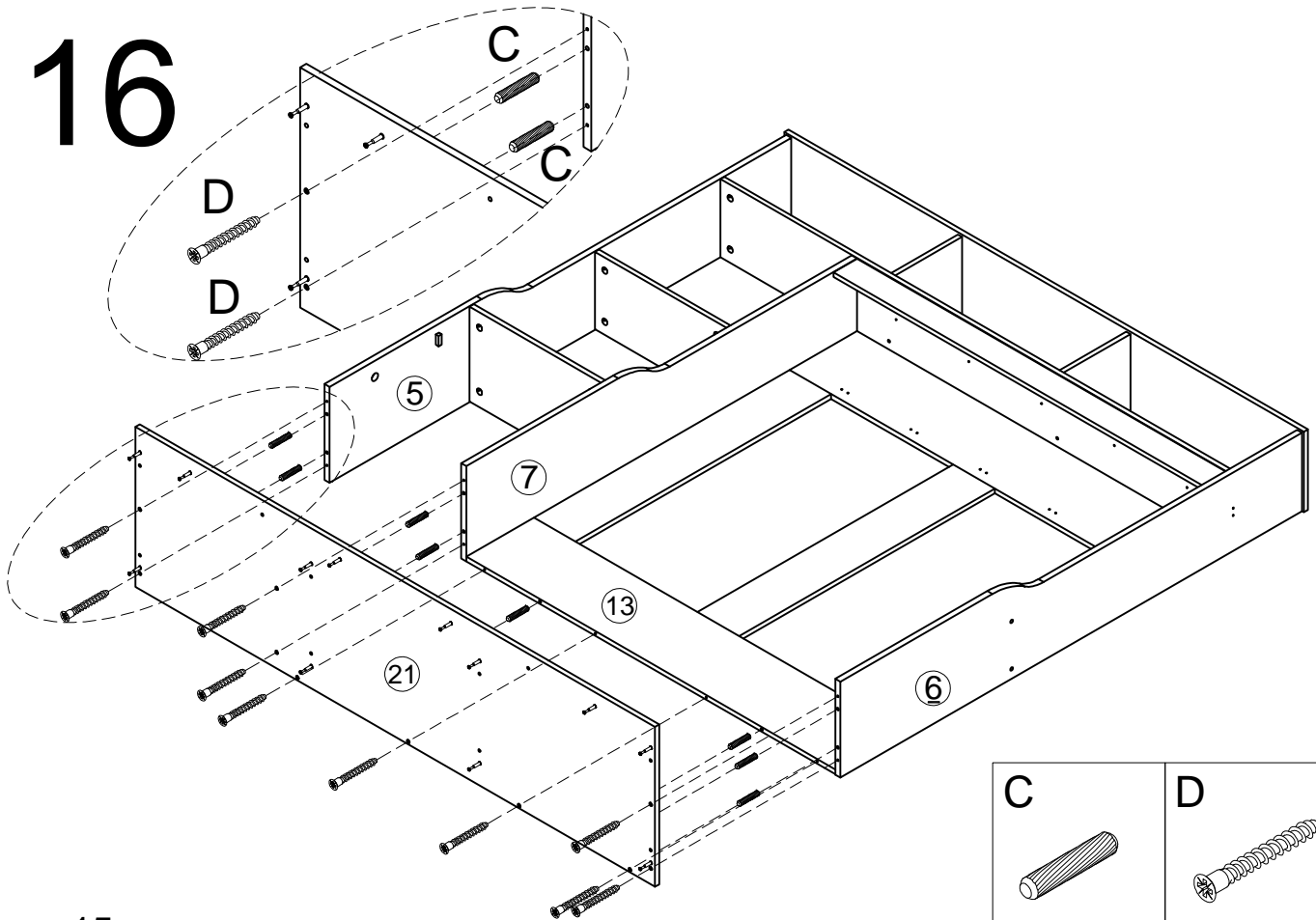


14

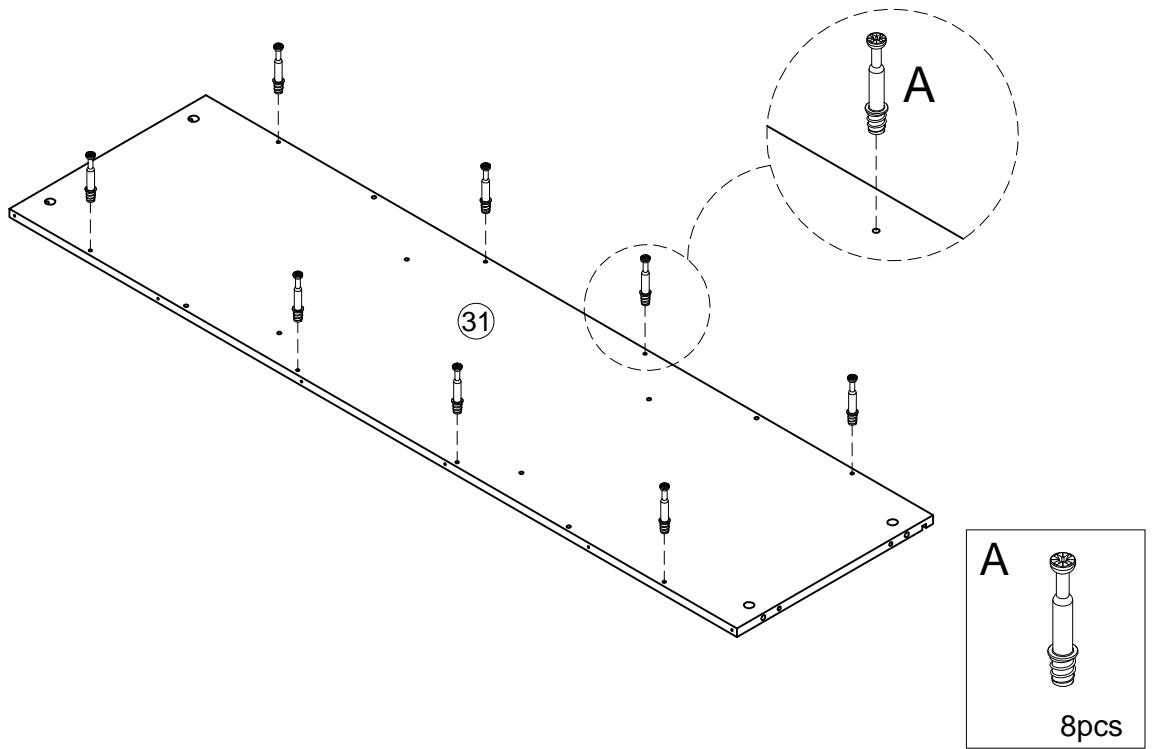
# 15



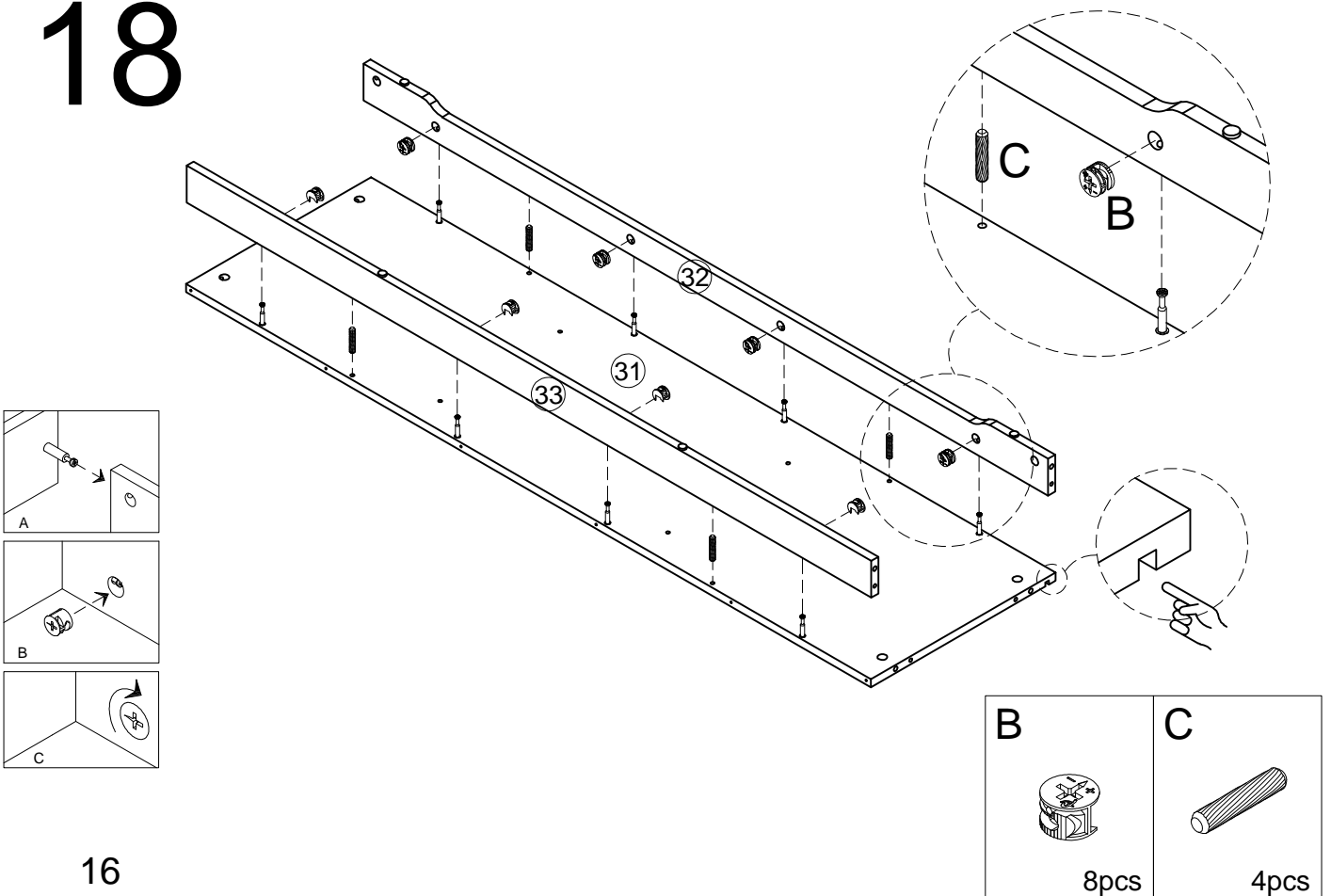
# 16



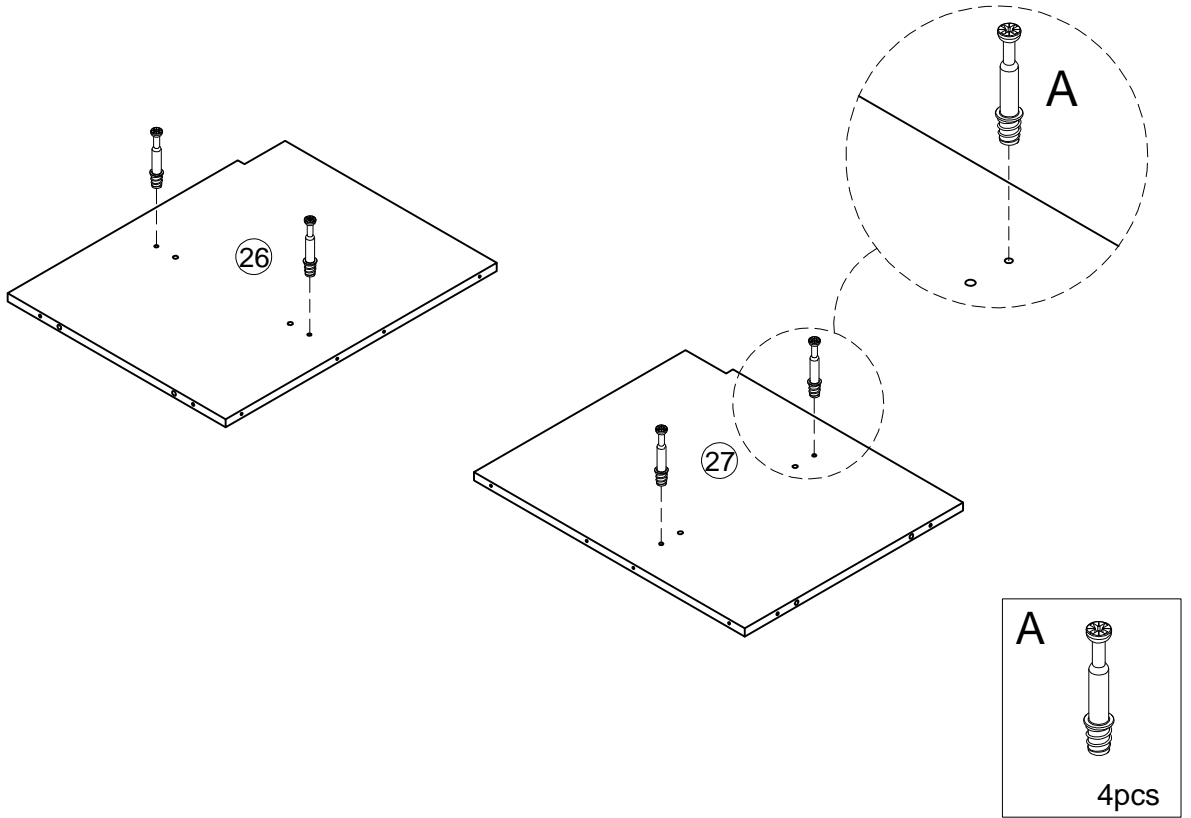
# 17



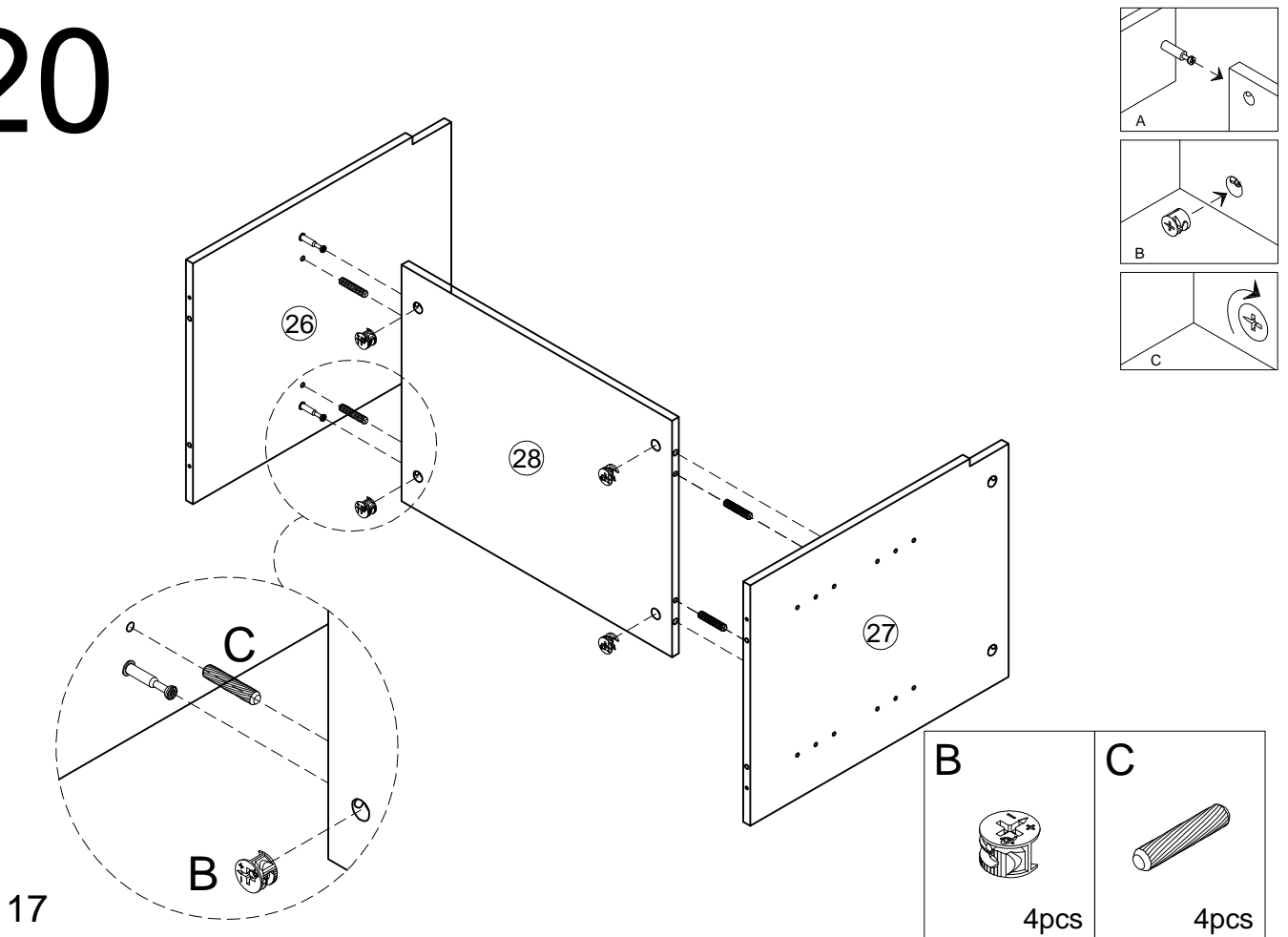
# 18



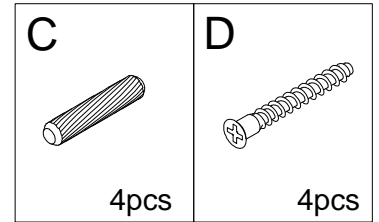
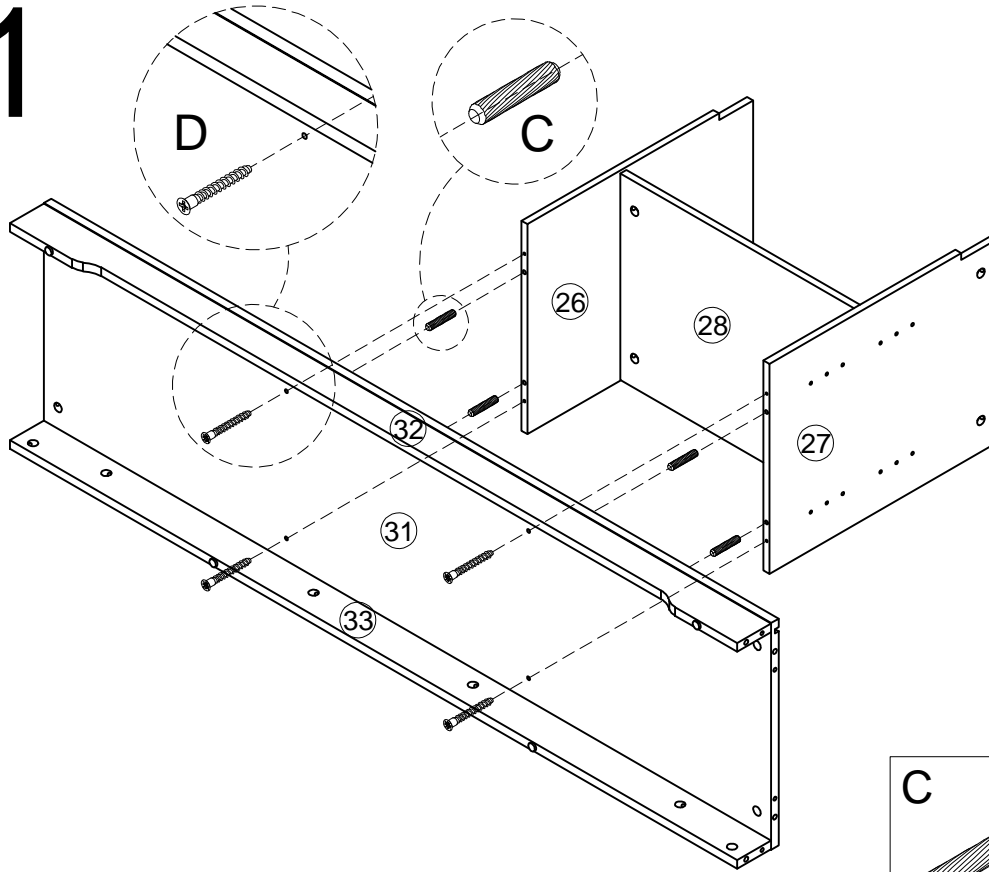
# 19



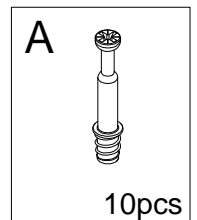
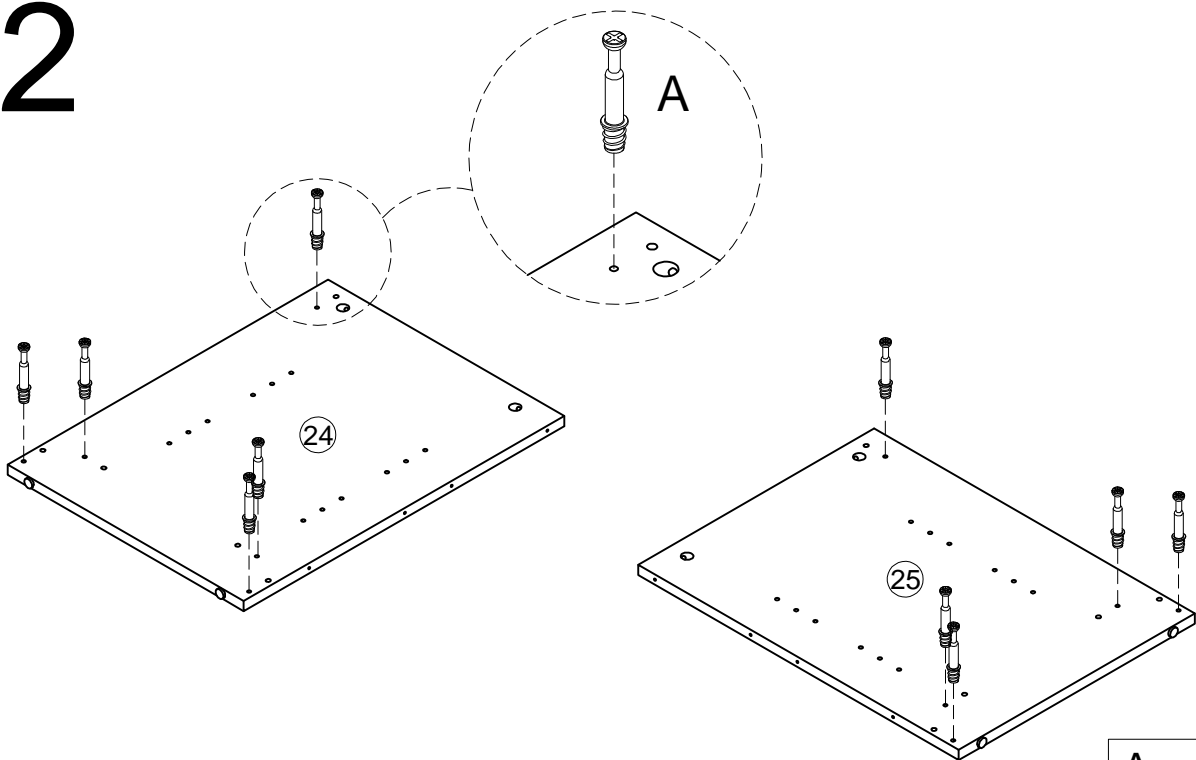
# 20



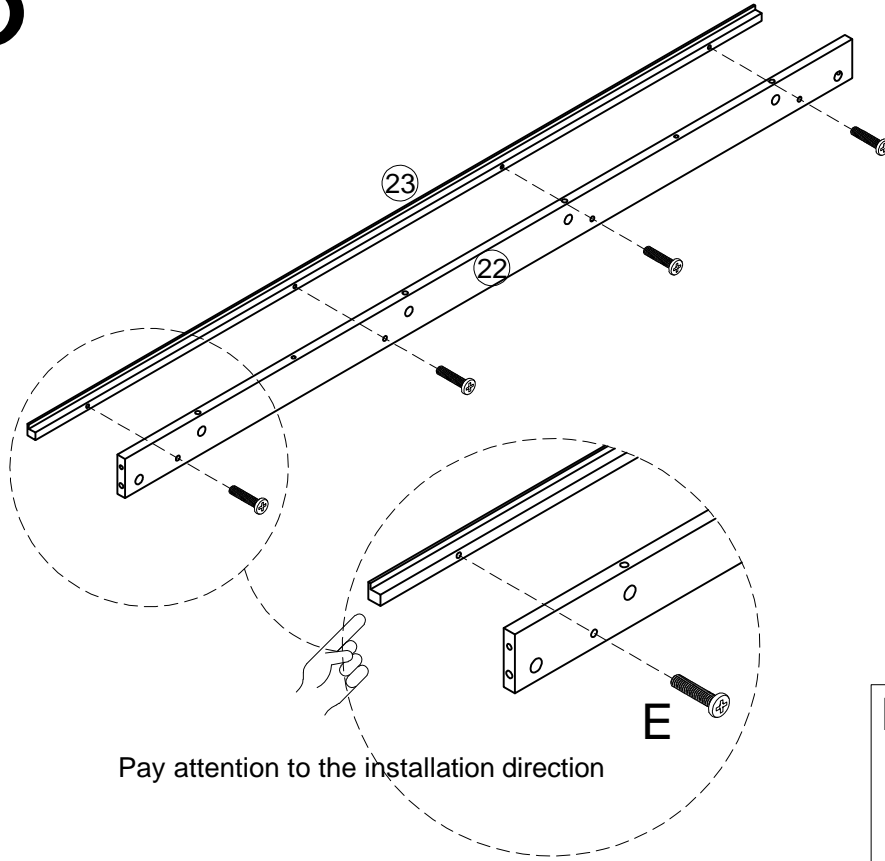
# 21



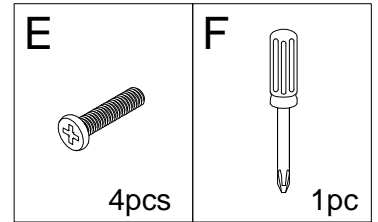
# 22



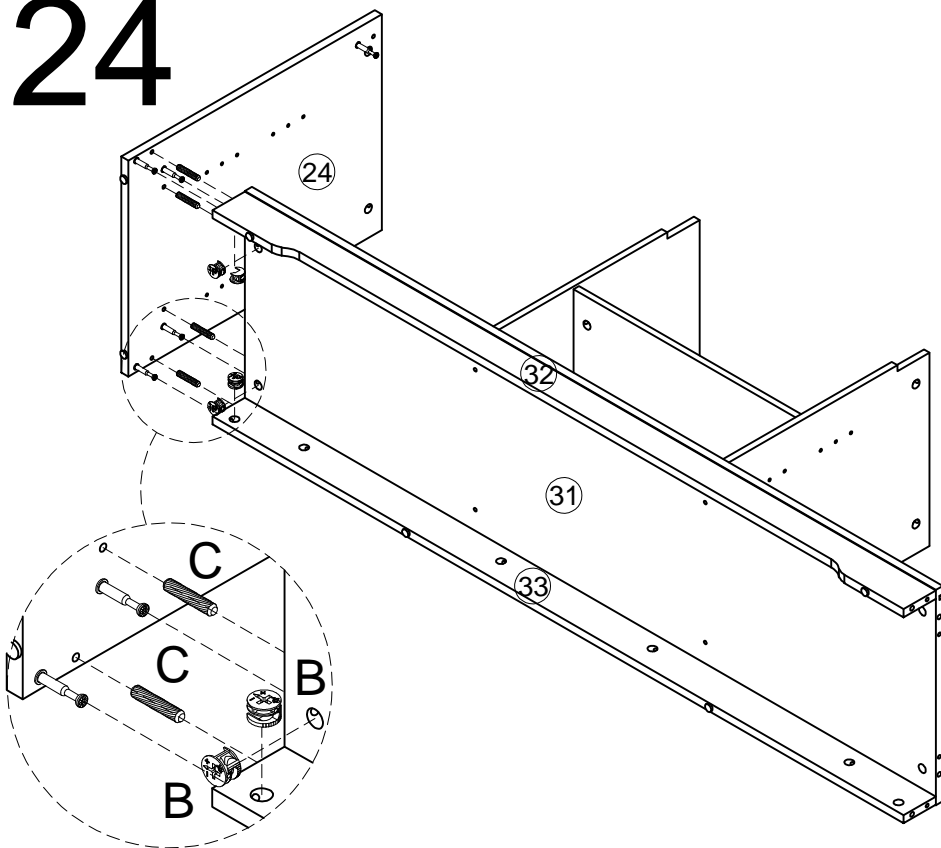
# 23



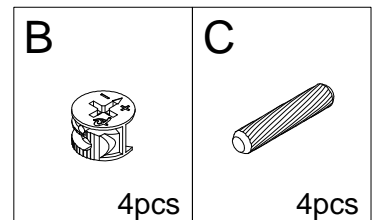
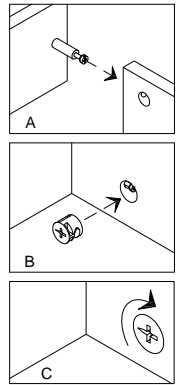
Pay attention to the installation direction



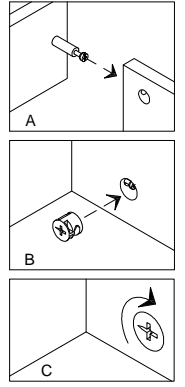
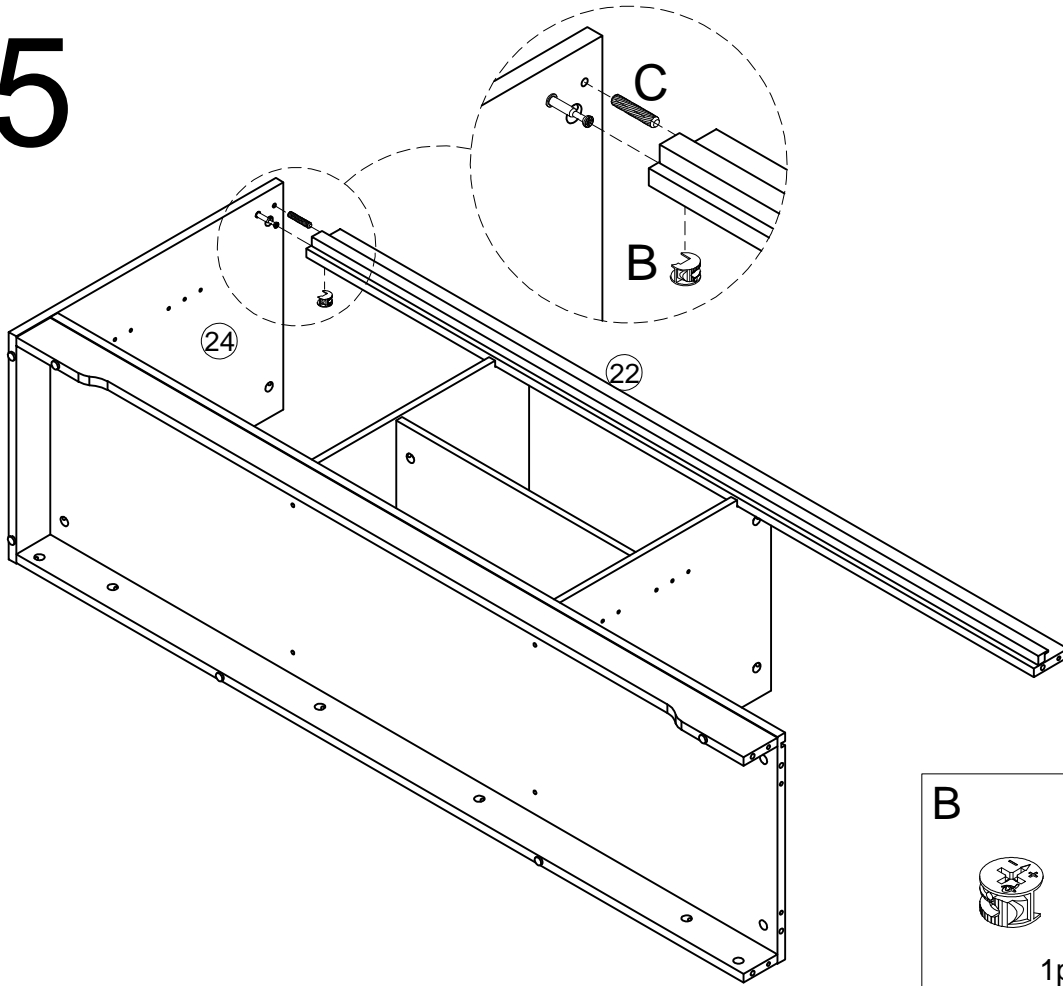
# 24



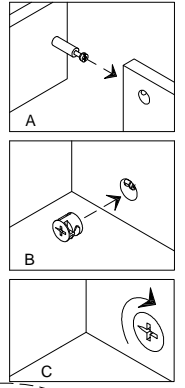
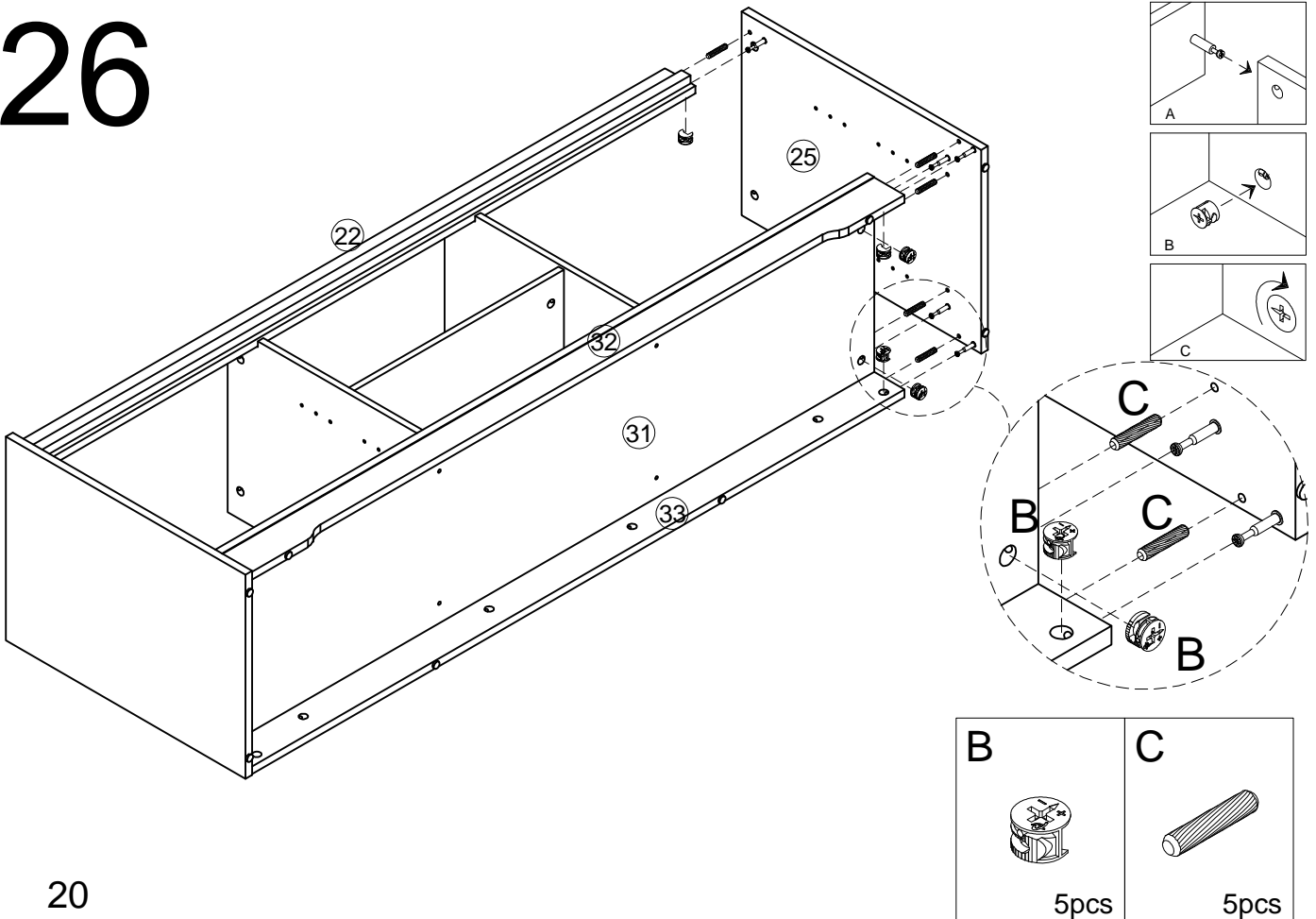
19



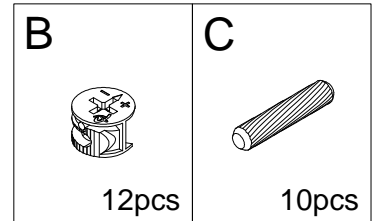
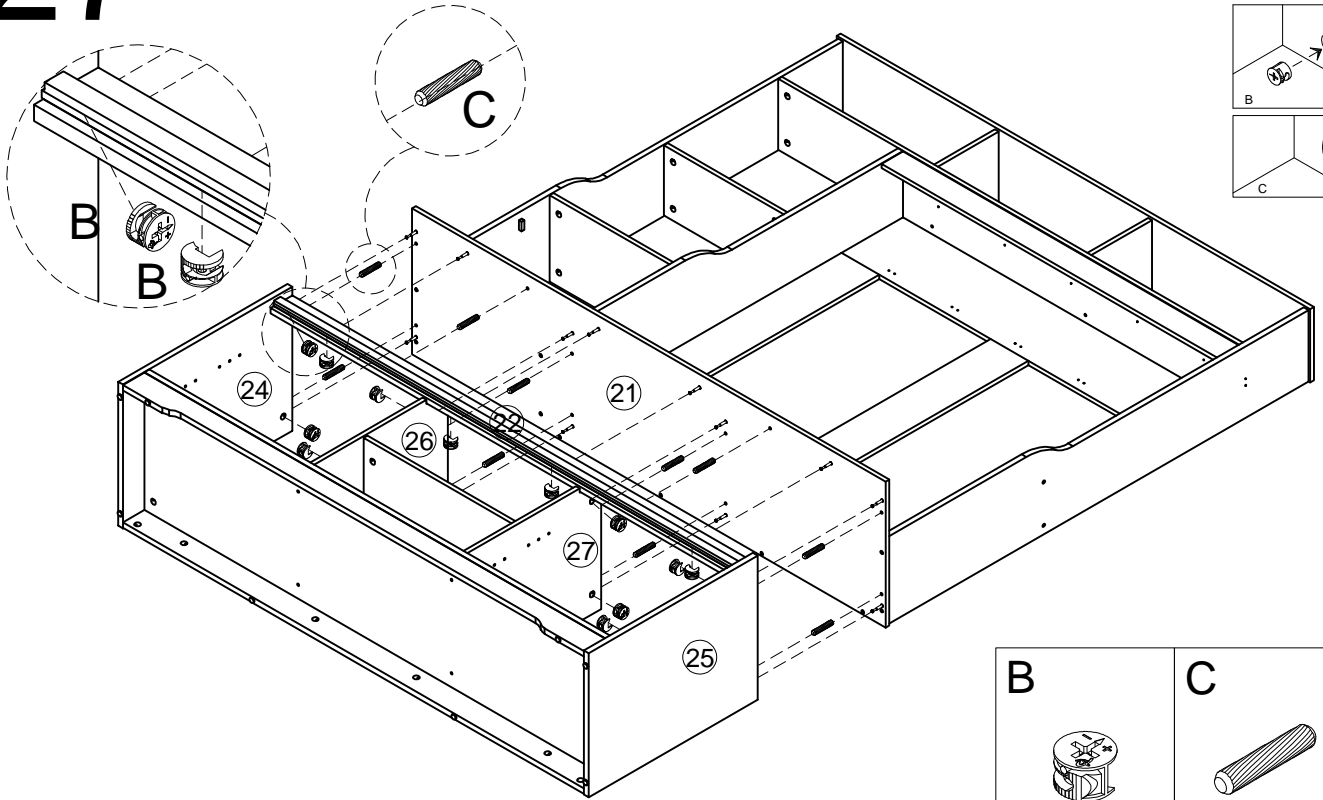
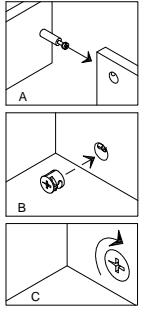
# 25



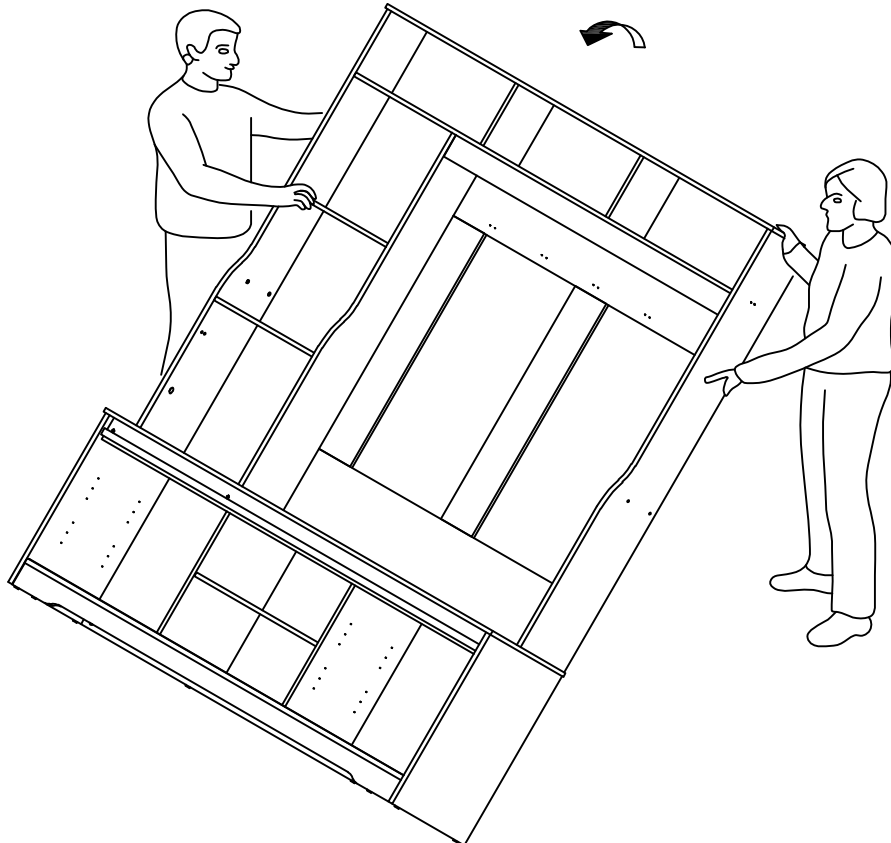
# 26



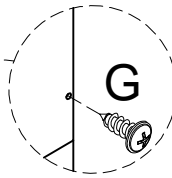
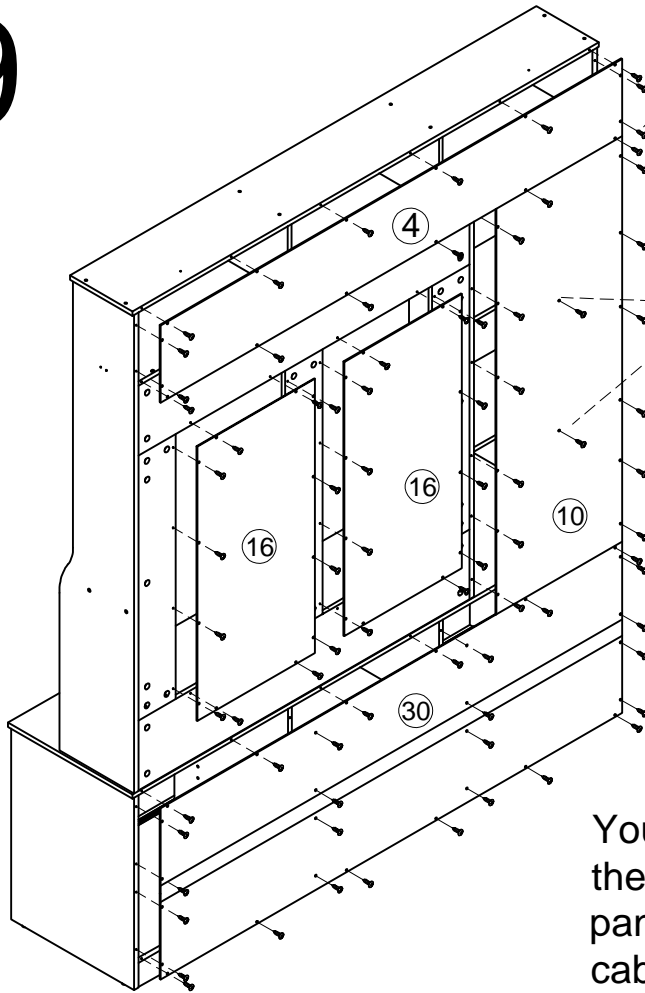
# 27



# 28

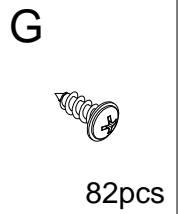


# 29

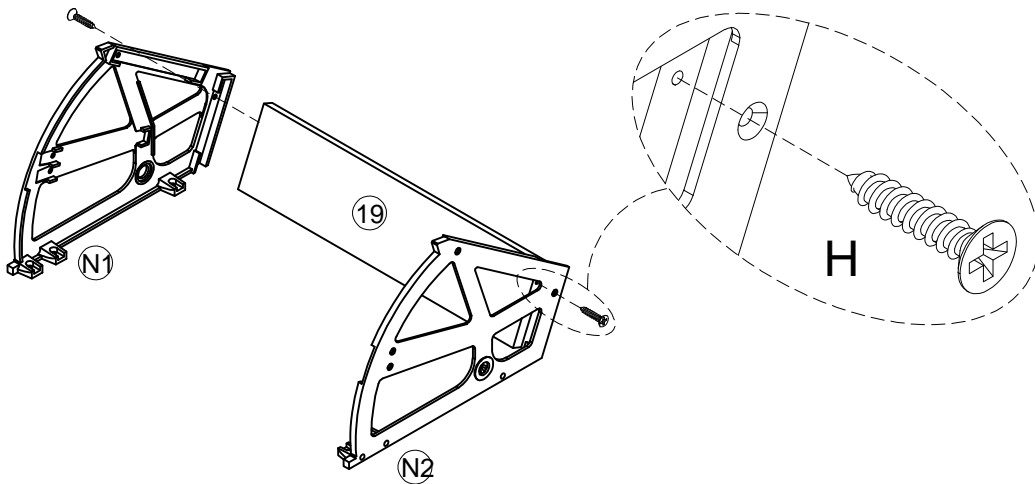


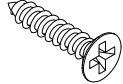


Pay attention to the position of these two small holes, the distance up and down is different

You don't need to lock all the screws on the back panel, just keep the cabinet stable

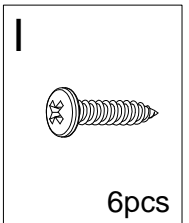
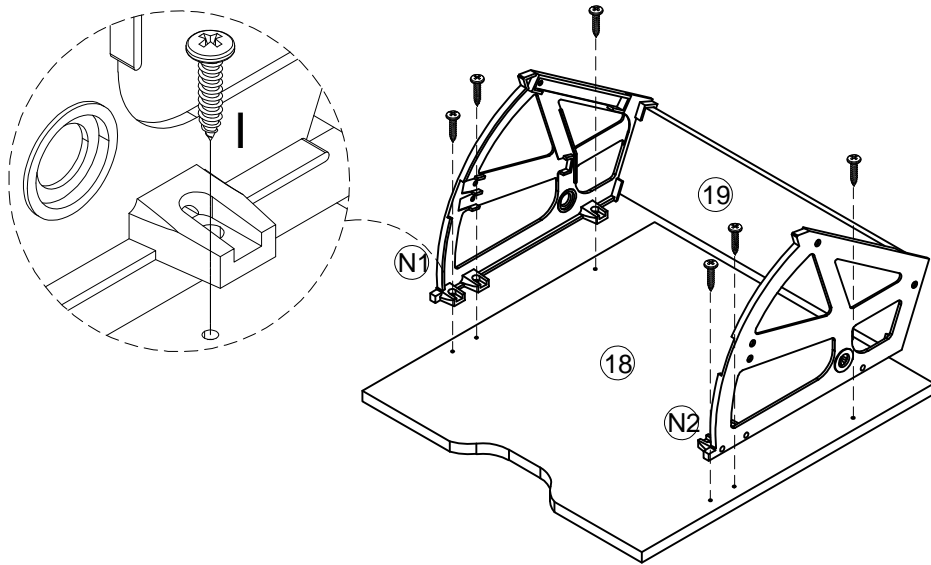


# 30

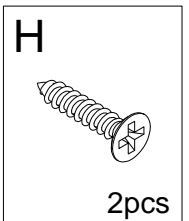
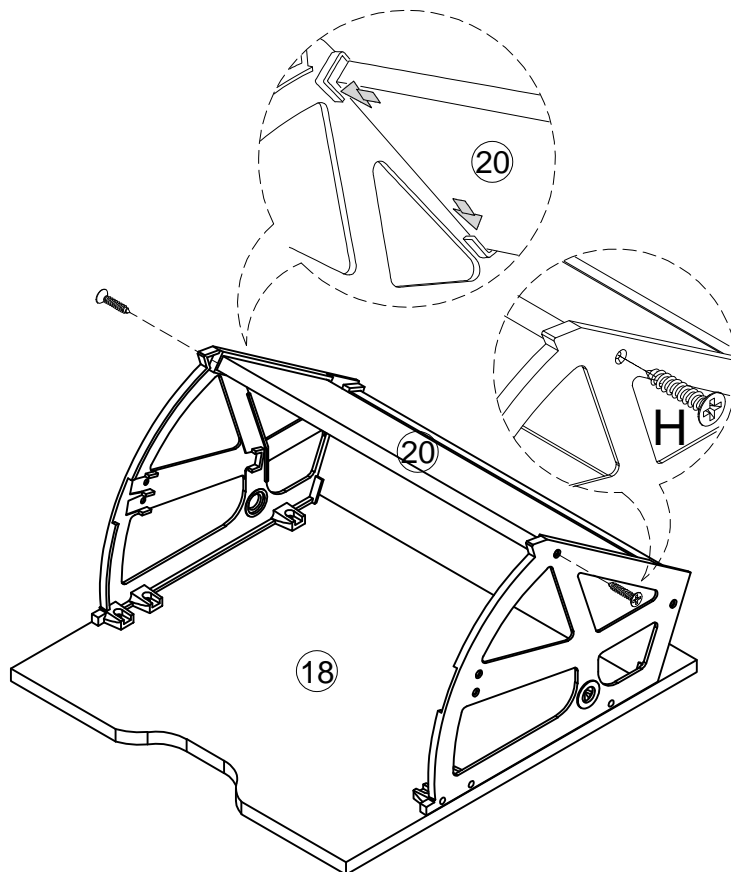


<b>H</b>  2pcs	<b>N1</b>  1pc	<b>N2</b>  1pc
--	---	---

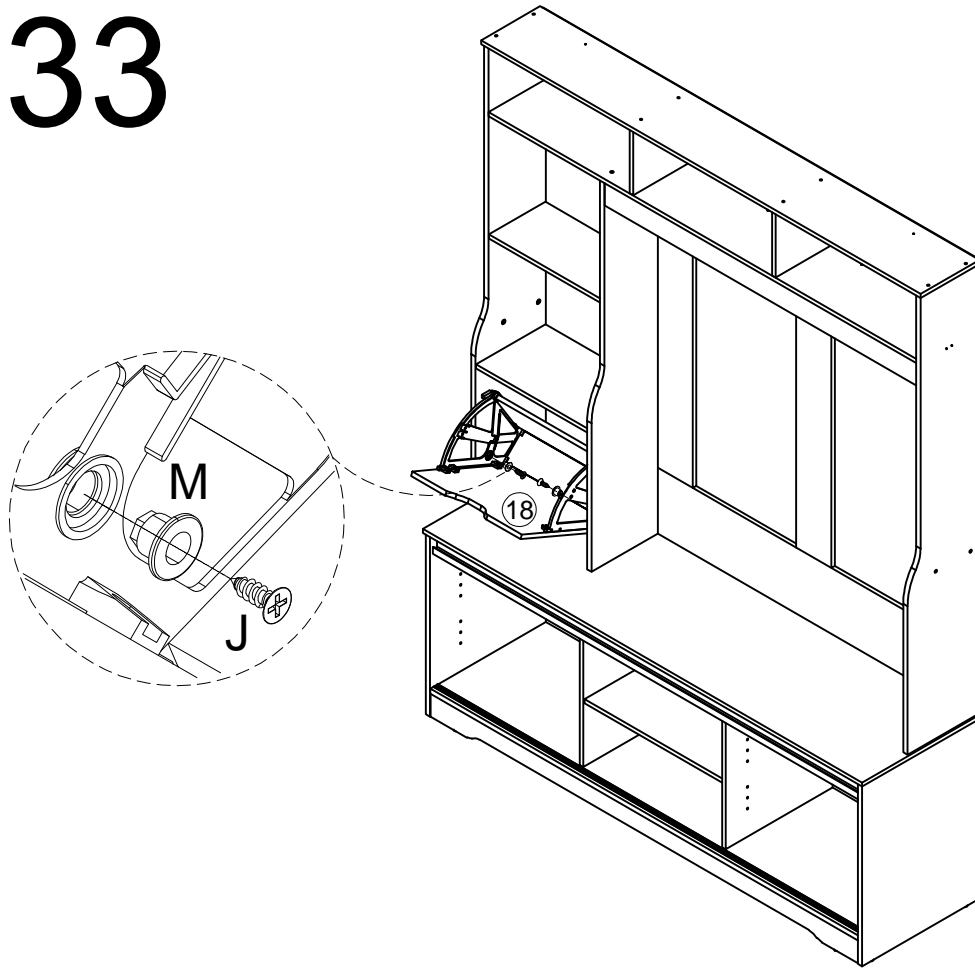
# 31

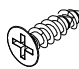
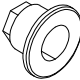


# 32



# 33

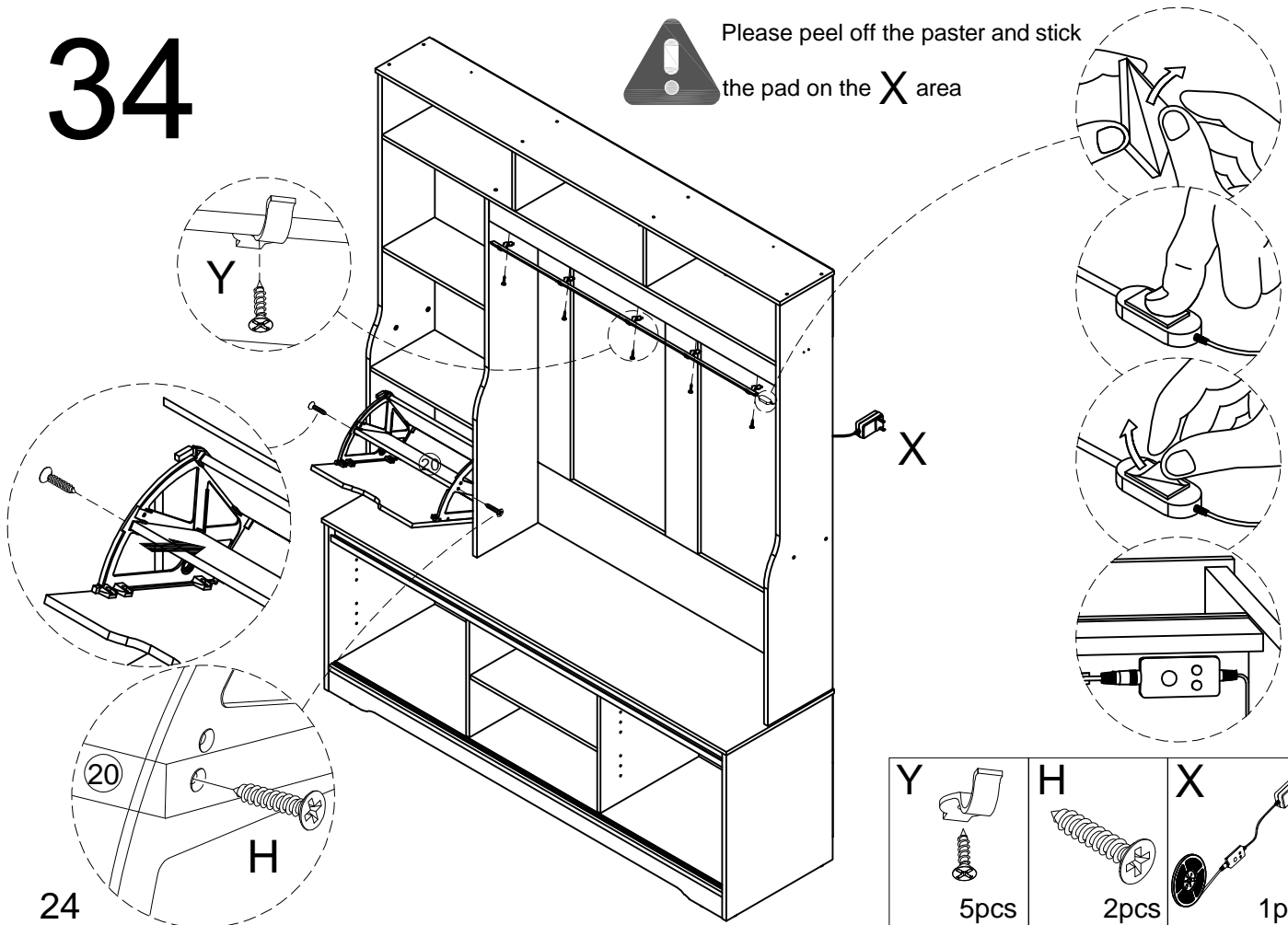





<b>J</b>  2pcs	<b>M</b>  2pcs
--	--

# 34

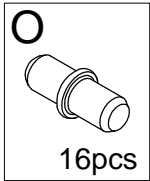
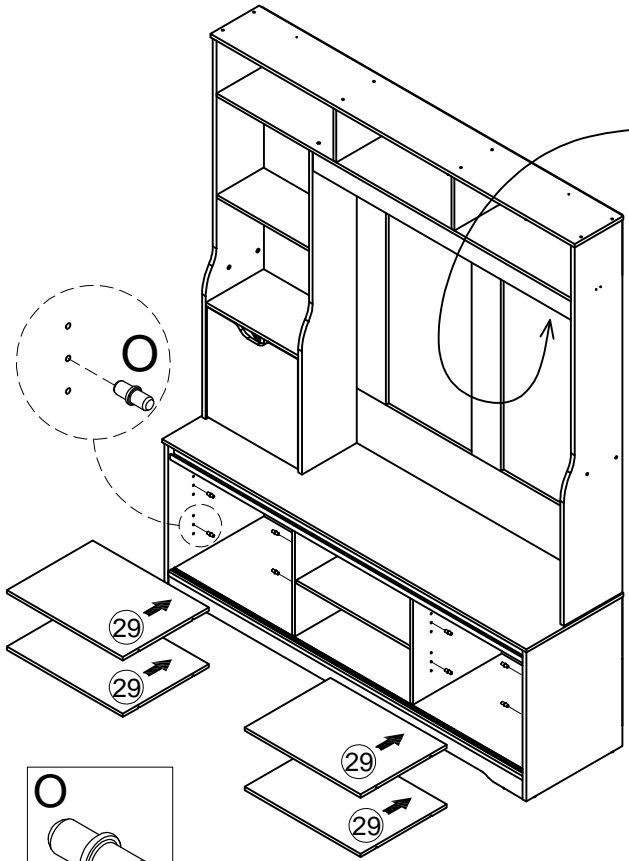


Please peel off the paster and stick the pad on the X area

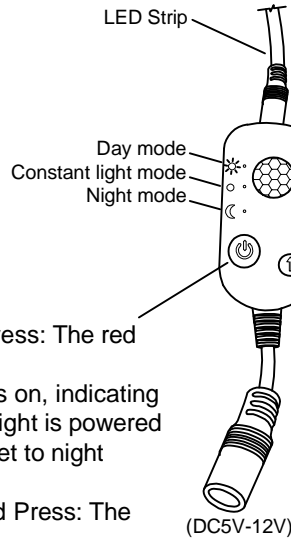


<b>Y</b>  5pcs	<b>H</b>  2pcs	<b>X</b>  1pc
---	---	--

# 35



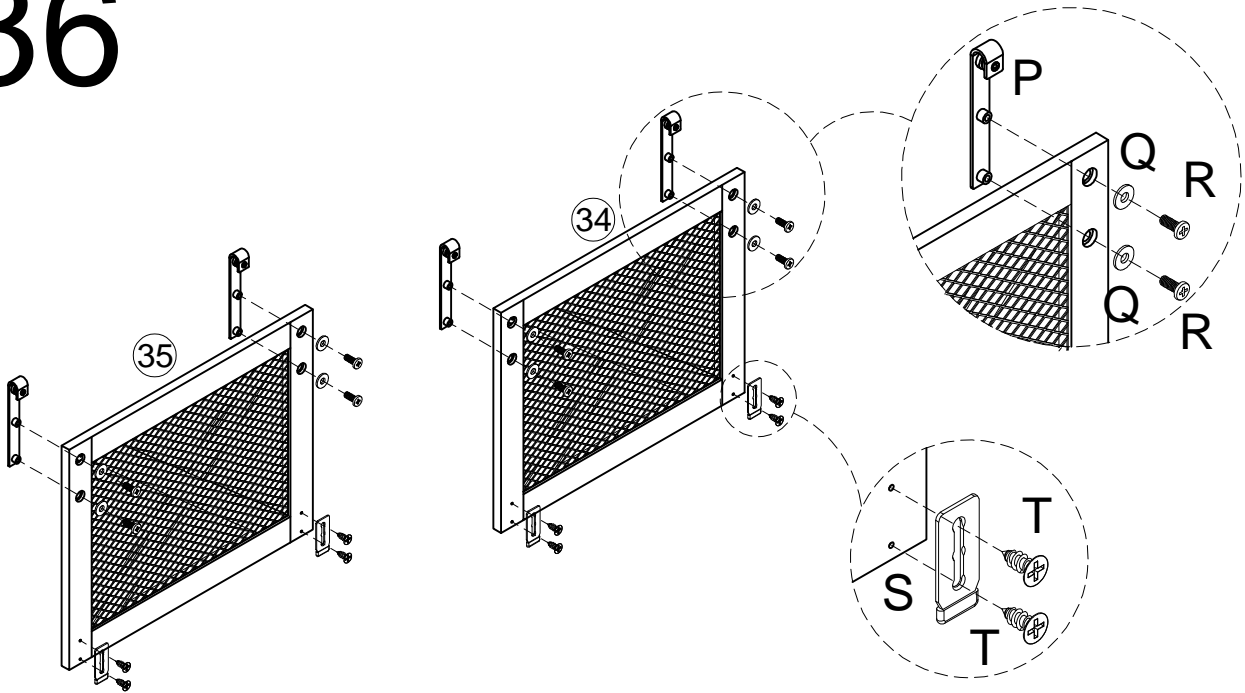
## Human body sensors lamp Operating mode



1. First Press: The red indicator light turns on, indicating that the light is powered on and set to night mode.
2. Second Press: The indicator blue light turns on, indicating day mode.
3. Third Press: The green indicator light turns on, indicating always-on mode.
4. Fourth Press: The red, green, and blue indicator lights flash simultaneously, indicating that the light is powered off.

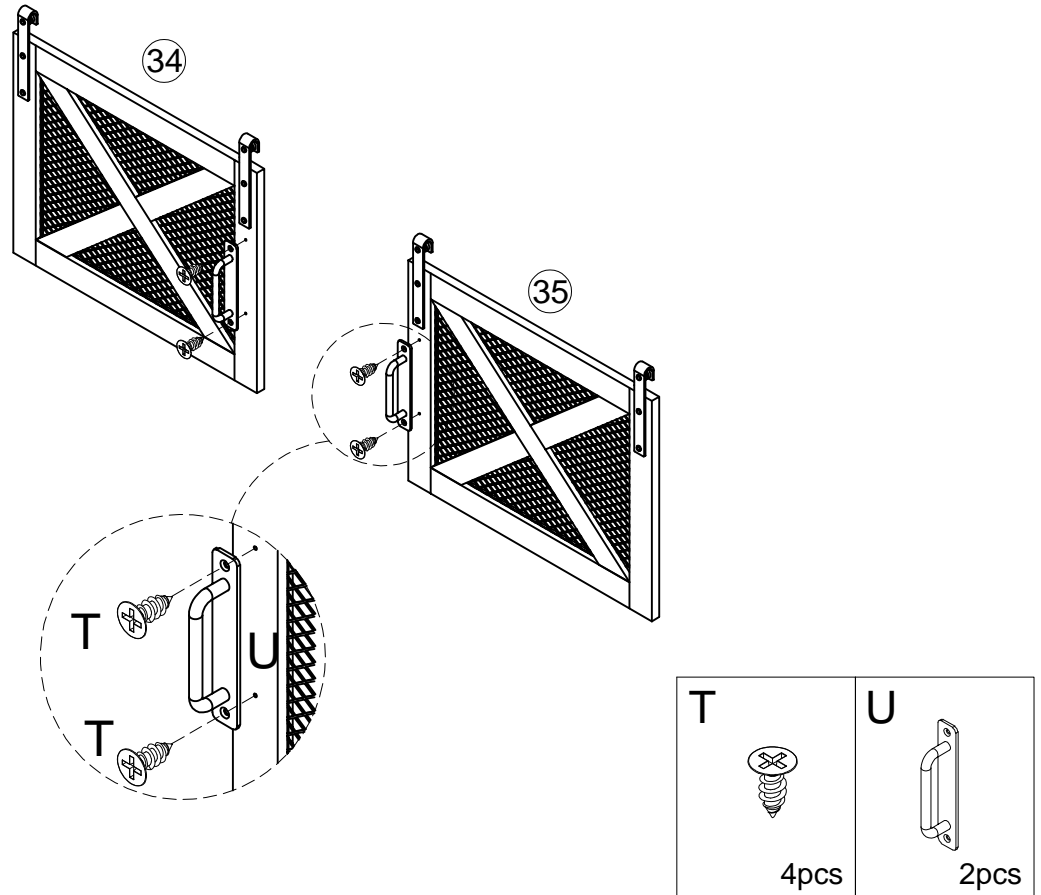
- First Press:  
The LED light stays on continuously for 30 seconds.
- Second Press:  
The duration extends to 60 seconds.
- Third Press:  
The duration increases to 120 seconds.
- Each Press:  
The green indicator light flashes once.
- Fourth Press:  
The red, green, and blue indicator lights flash twice simultaneously, resetting the device to its default mode.
- Press and Hold (3 Seconds):  
Enter brightness adjustment mode.

# 36

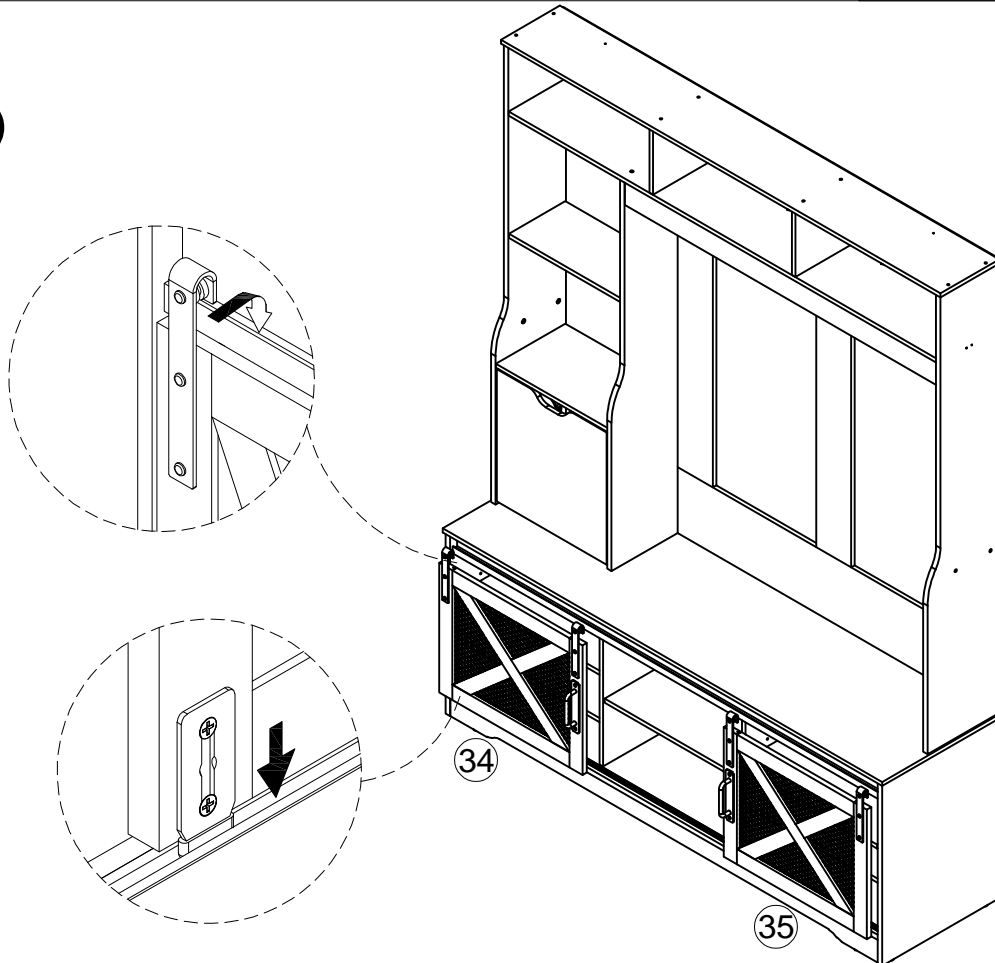


F	P	Q	R	S	T
1pc	4pcs	8pcs	8pcs	4pcs	8pcs

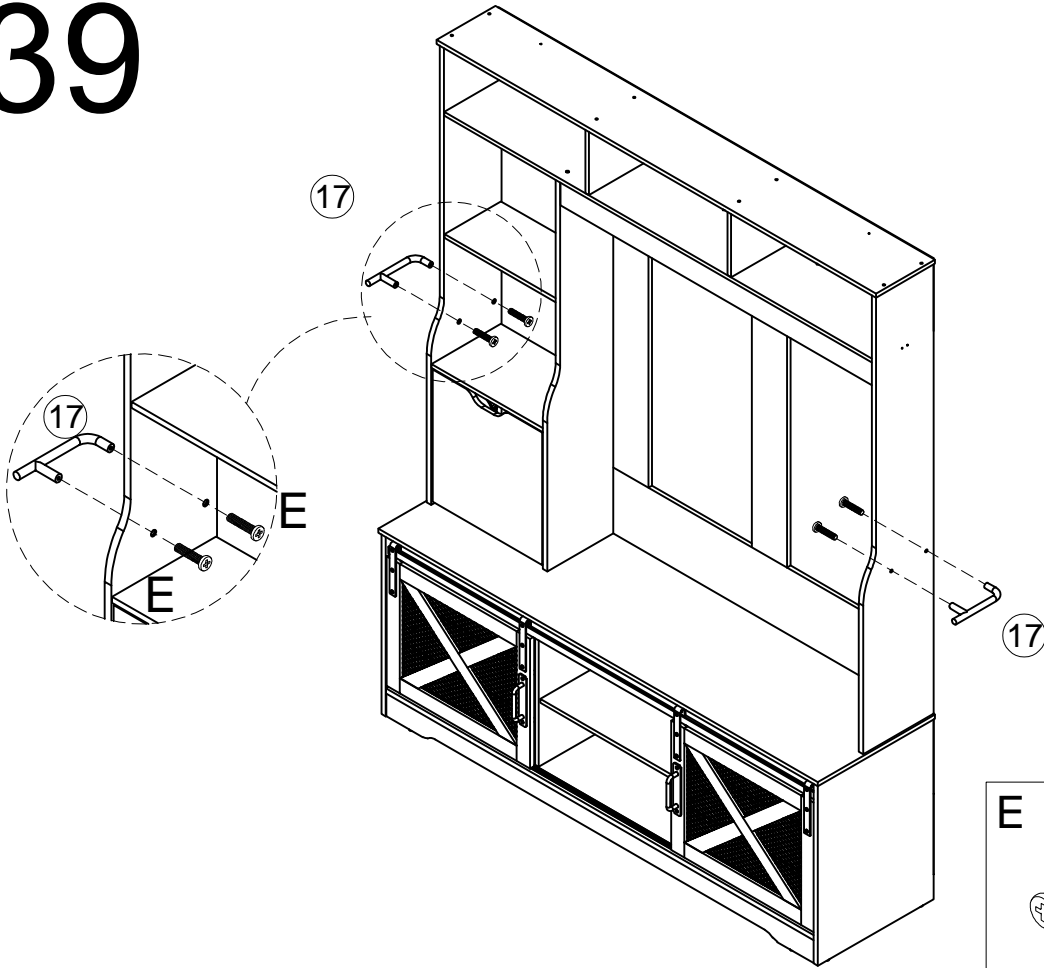
# 37





# 38

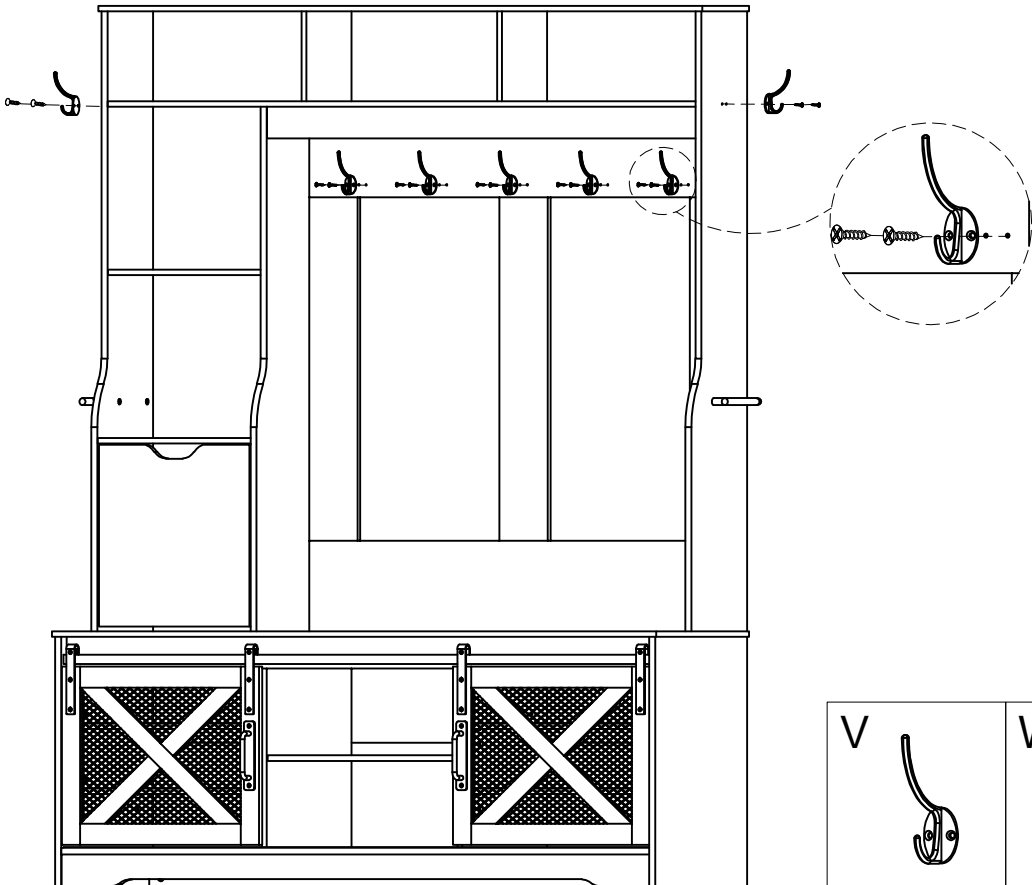




# 39



<b>E</b>  4pcs	<b>F</b>  1pc
--	---

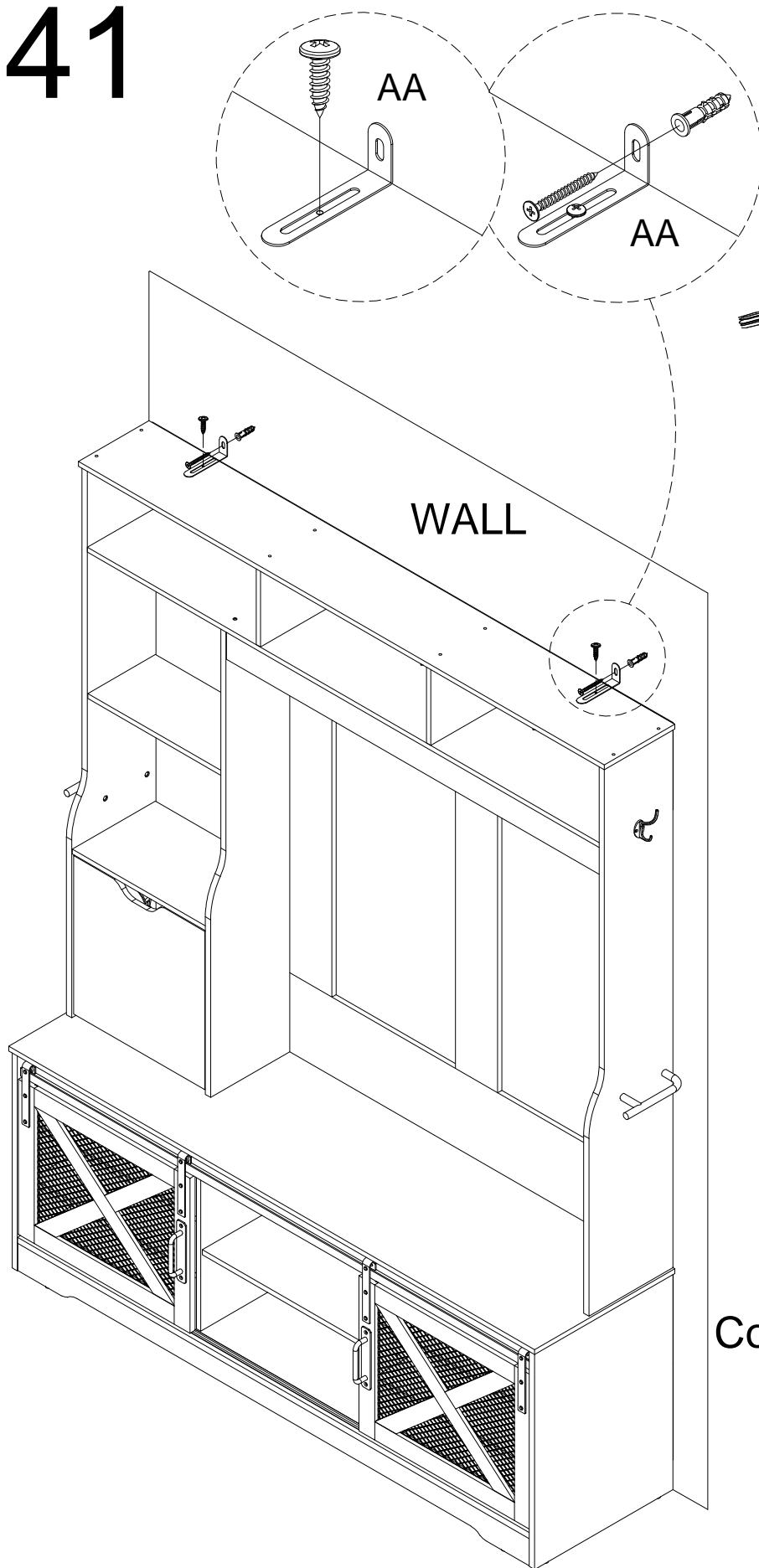
# 40



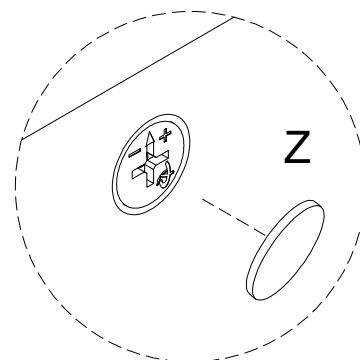
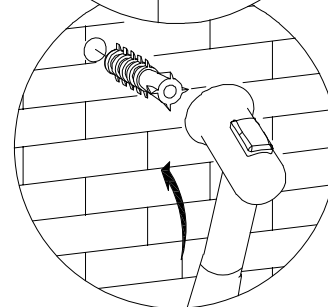
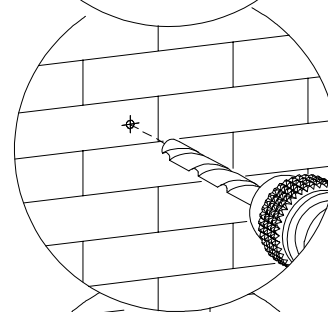
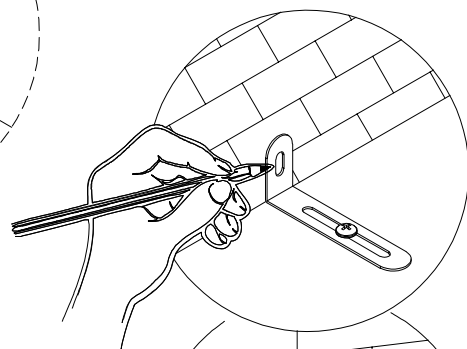
<b>V</b>  7pcs	<b>W</b>  14pcs
---	--

27


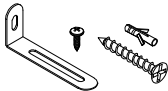
# 41



WALL



Cover the exposed holes

Z	AA
	
78pcs	2pcs