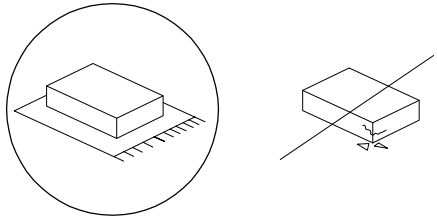


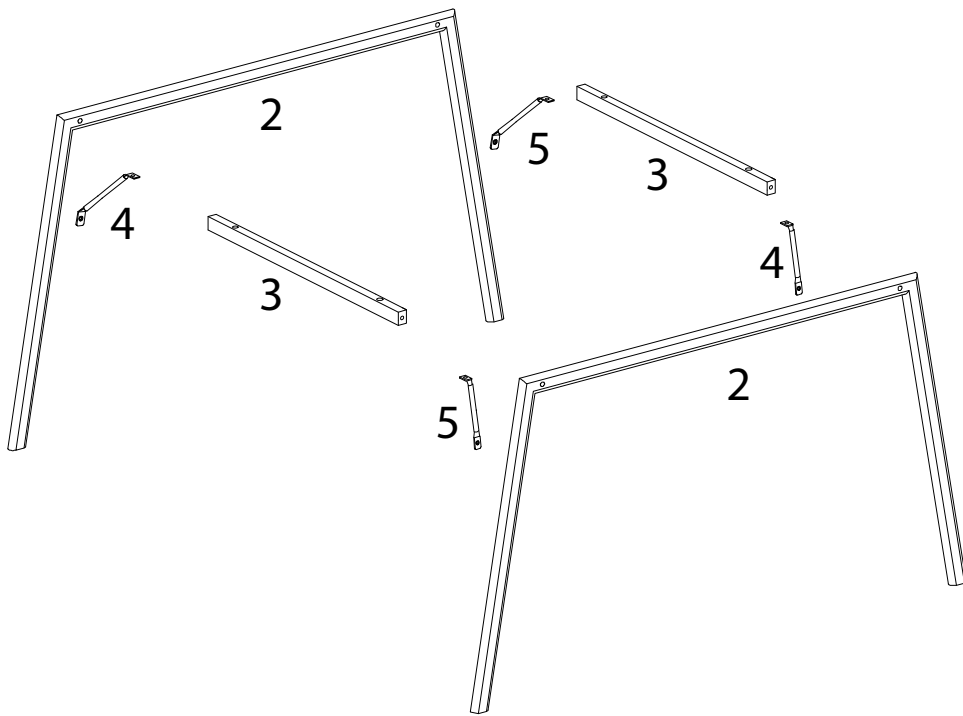
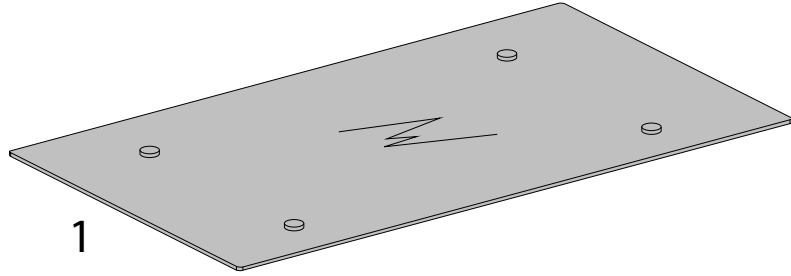
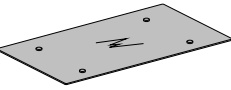
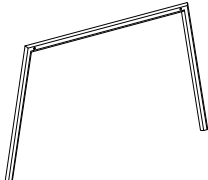
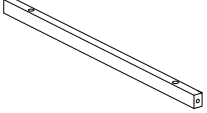



		<b>20'</b>
		
		<b>2</b>



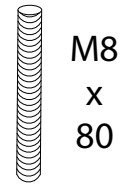
<p>1</p>  <p>x 1</p>	<p>2</p>  <p>x 2</p>	<p>3</p>  <p>x 2</p>	<p>4</p>  <p>x 2</p>	<p>5</p>  <p>x 2</p>
---	---	---	---	---

A



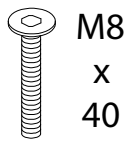
x 4

B



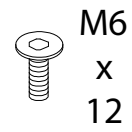
x 4

C



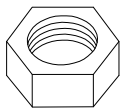
x 4

D



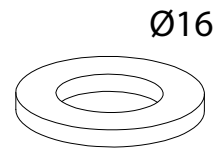
x 8

E



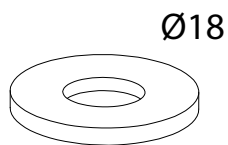
x 4

F



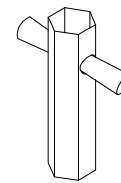
x 4

G



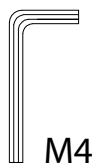
x 4

H



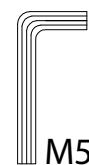
x 1

I



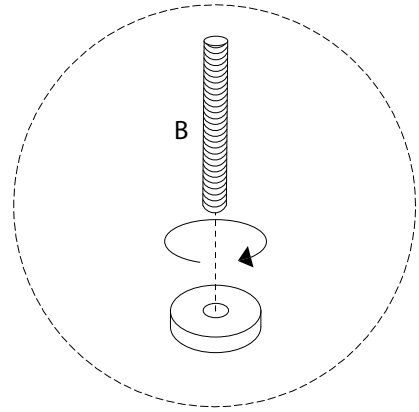
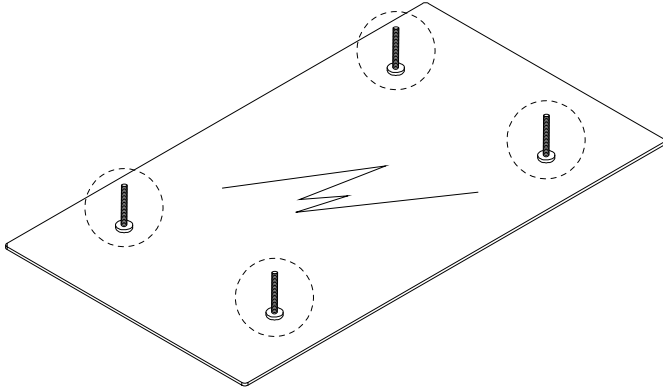
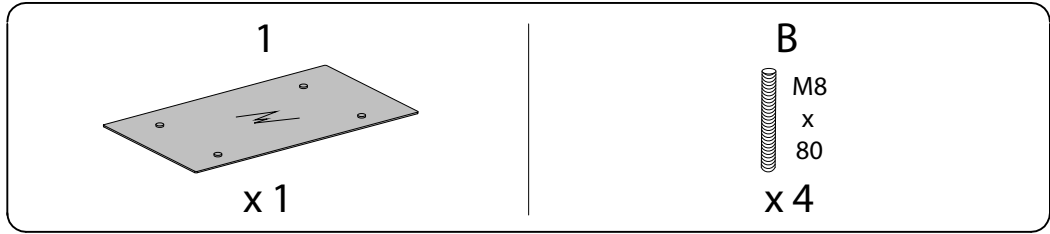
x 1

J

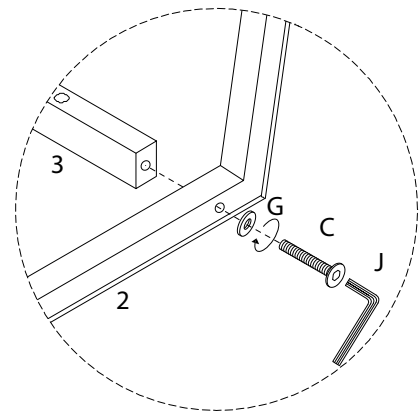
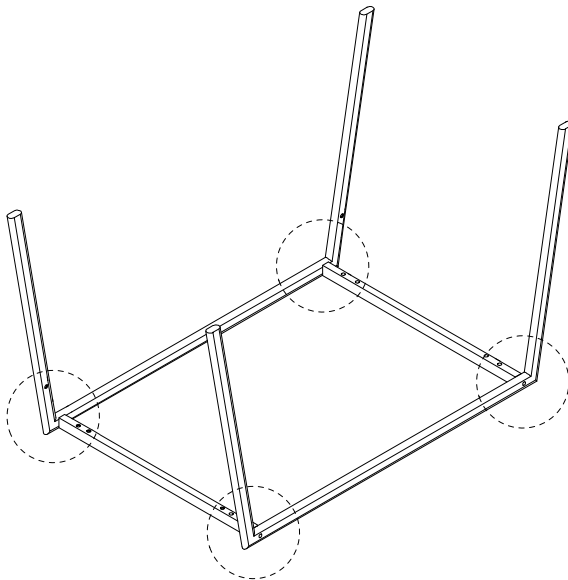
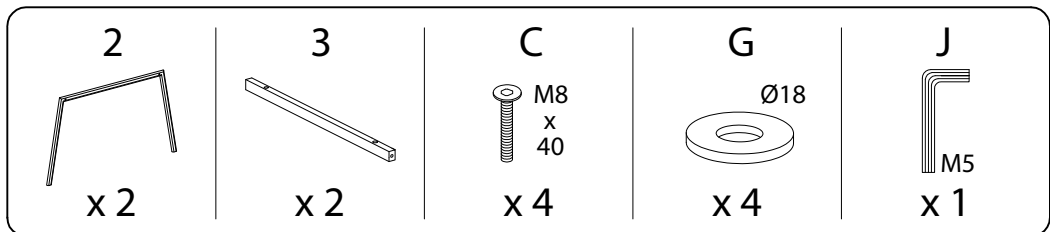


x 1

1



2



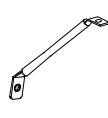
3

4



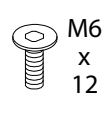
x 2

5



x 2

D

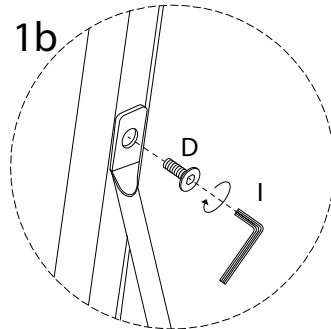
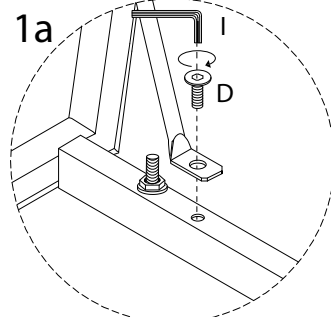
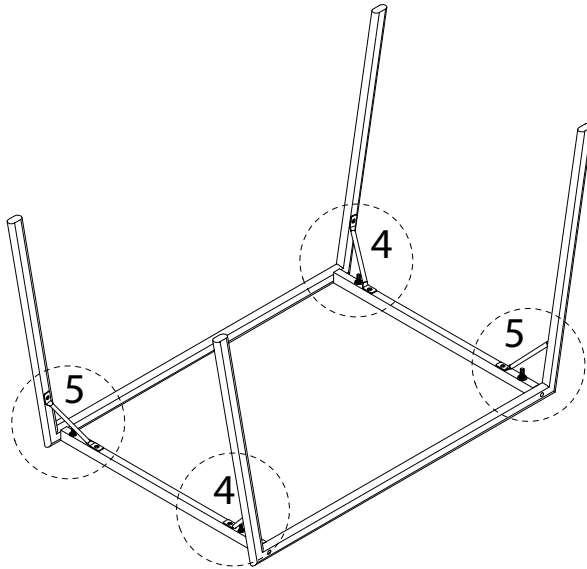


x 8

I



x 1

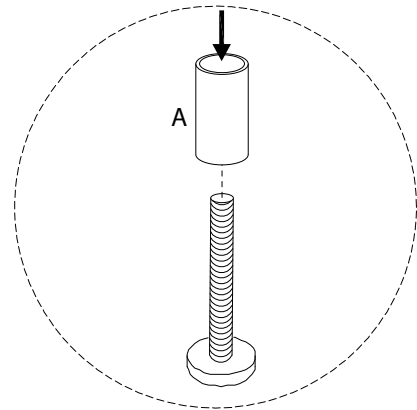
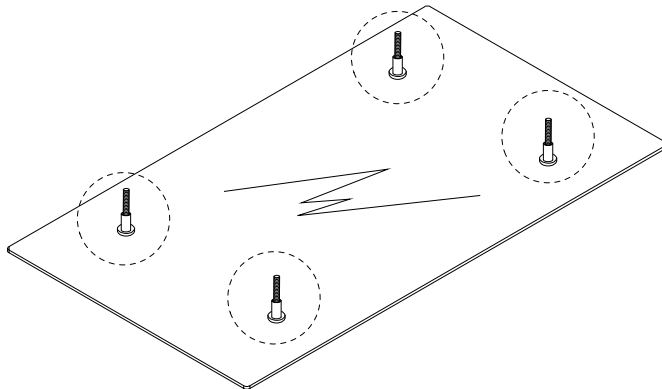


4

A



x 4



5

