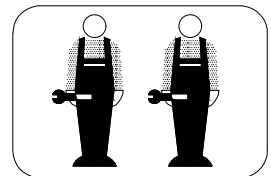
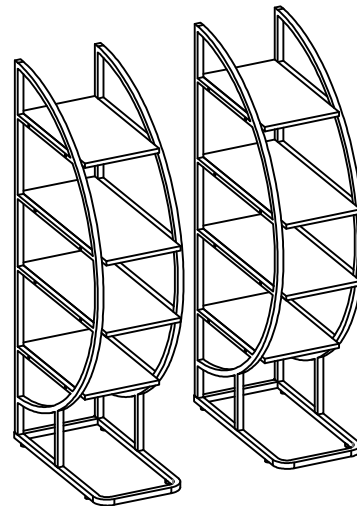
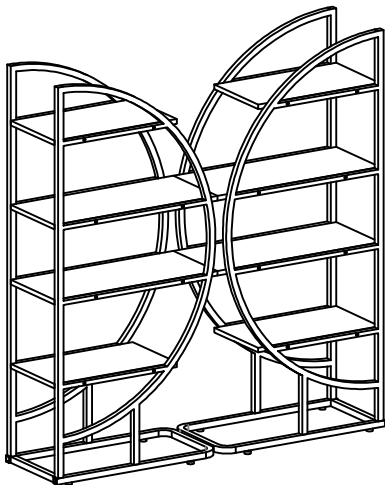
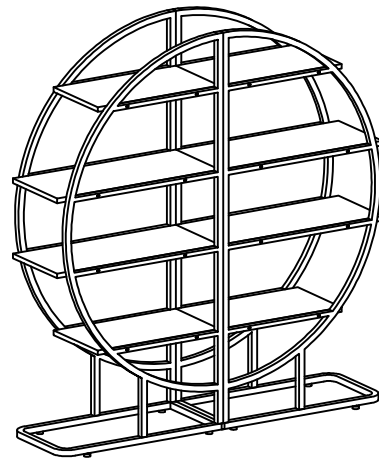
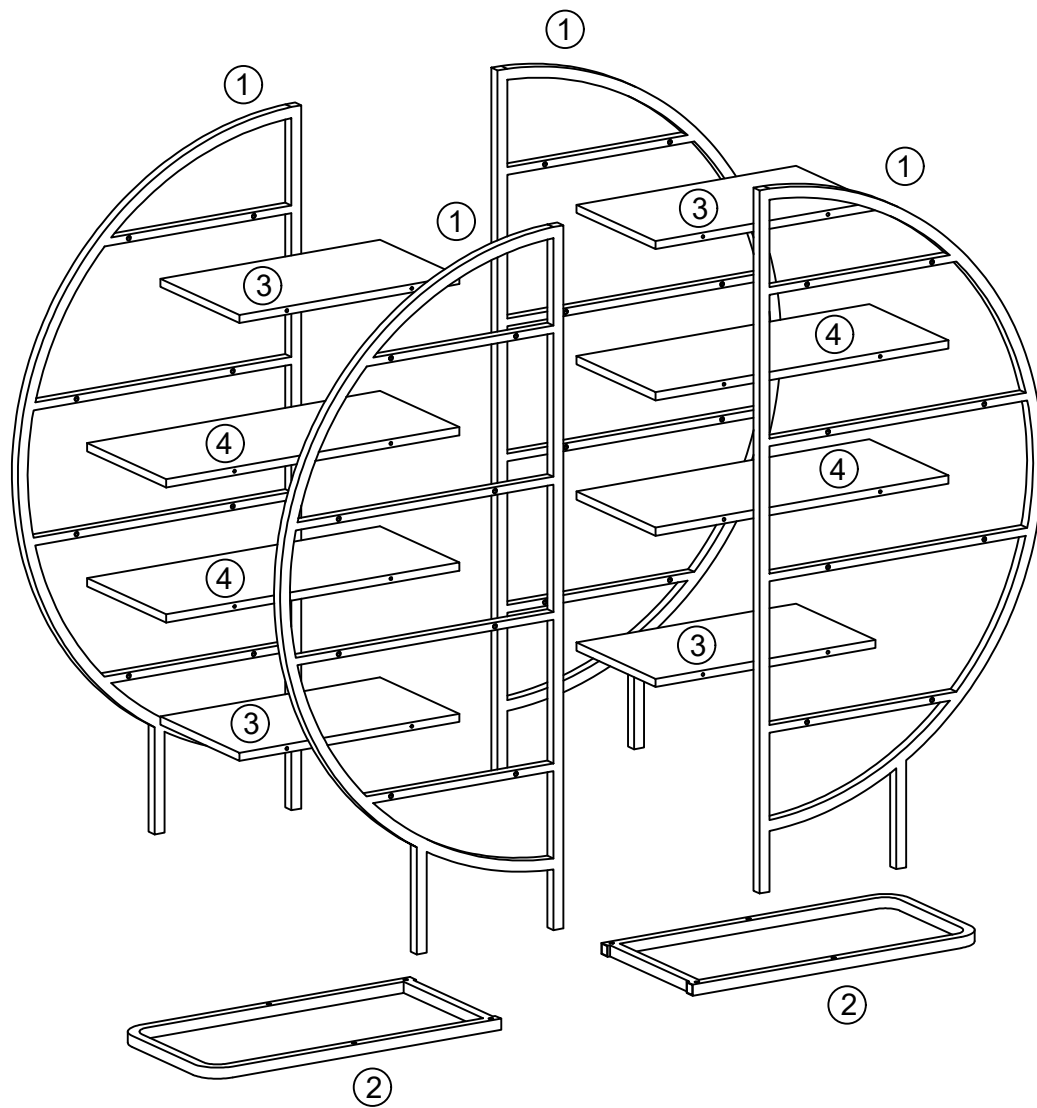


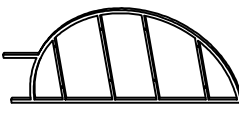

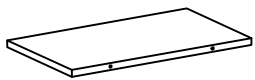
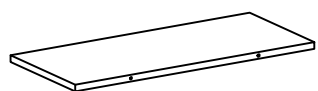
# ASSEMBLY INSTRUCTIONS

Various placement options available

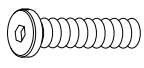


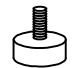







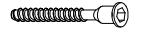
## Part List

			
①×4pcs	②×2pcs	③×4pcs	④×4pcs

## Hardware List

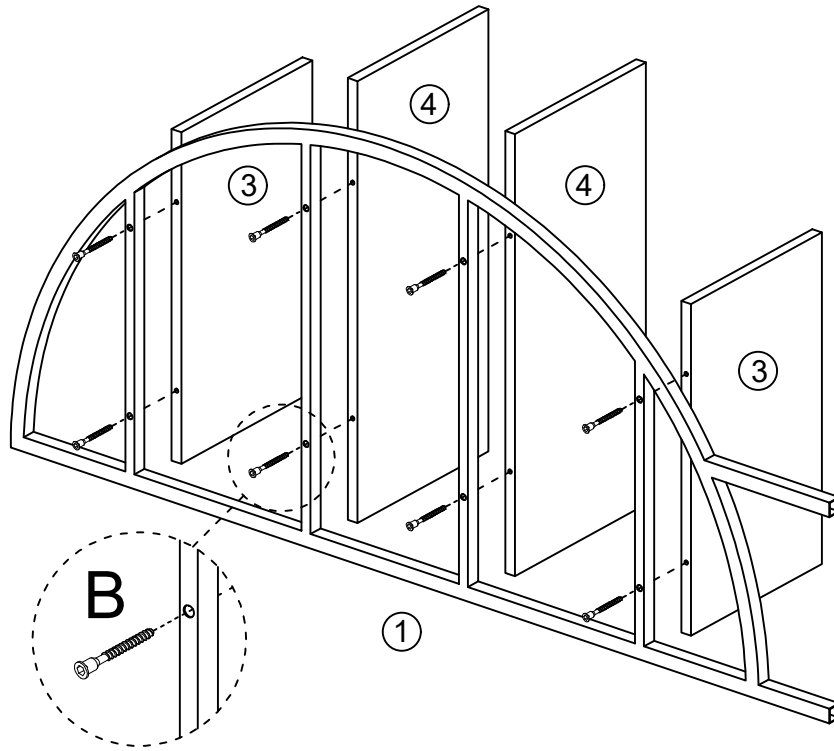
 M6×40mm	 φ7×50mm	 4×35mm	
Ⓐ×8pcs	Ⓑ×32pcs	Ⓒ×4pcs	Ⓓ×8pcs
 M4	 Φ6×30mm		
Ⓔ×1pc	Ⓕ×4pcs	Ⓖ×4pcs	

# Step 1



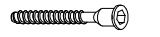
φ7x50mm

(B)×16pcs



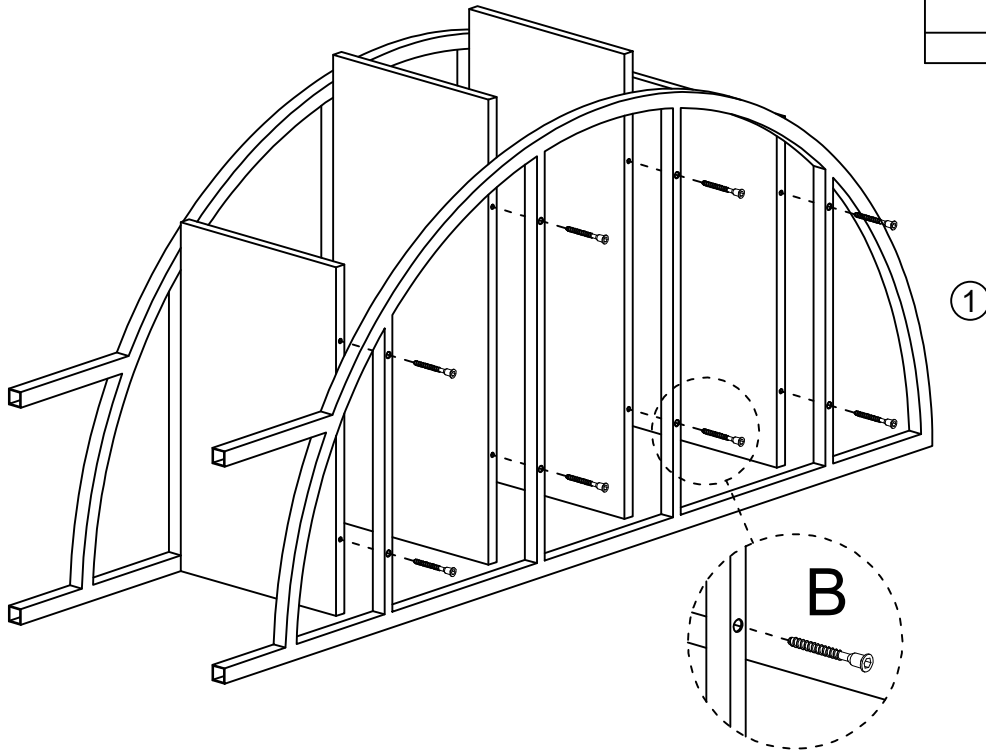
# X2

# Step 2



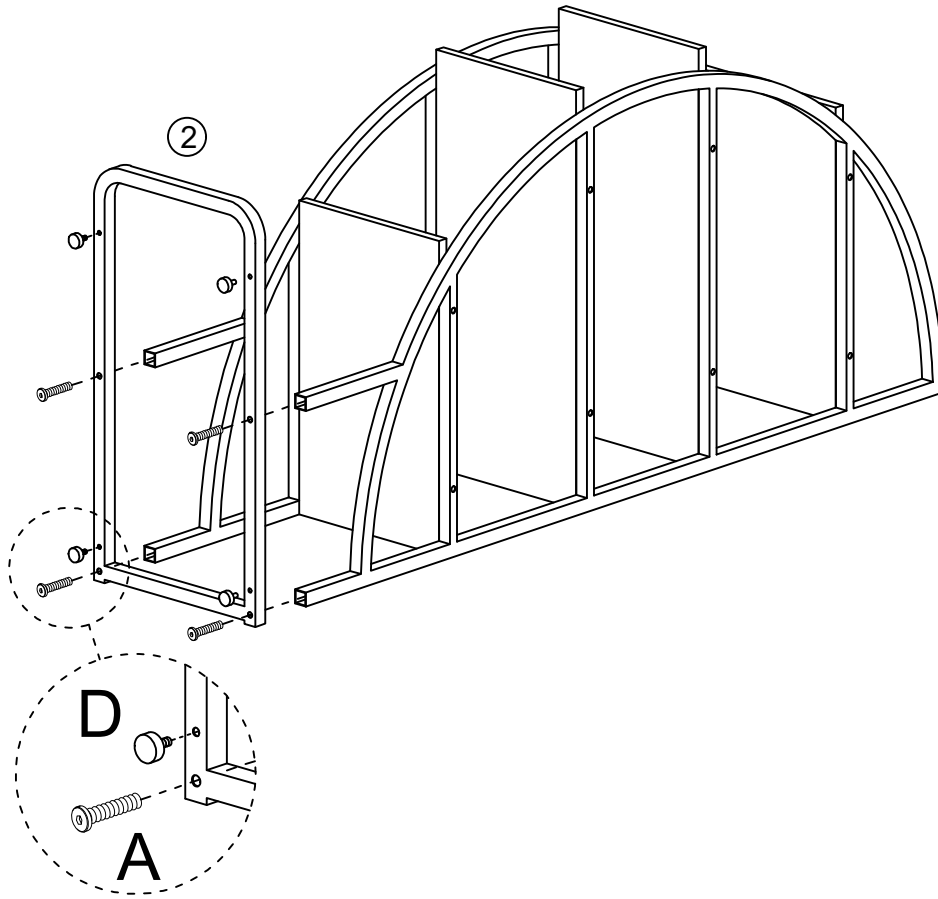
φ7x50mm

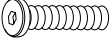
(B)×16pcs



# X2

# Step 3



  
M6×40mm

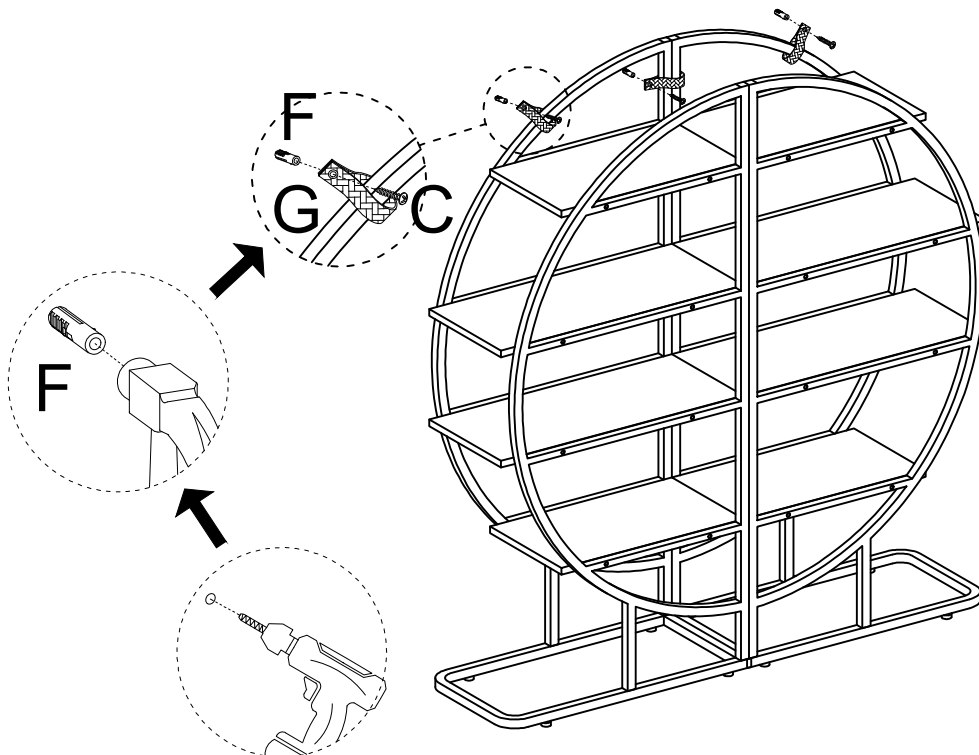
(A) ×8pcs

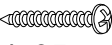


(D) ×8pcs

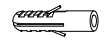
**X2**

# Step 4 STYLE 1



  
4x35mm

(C) ×3pcs

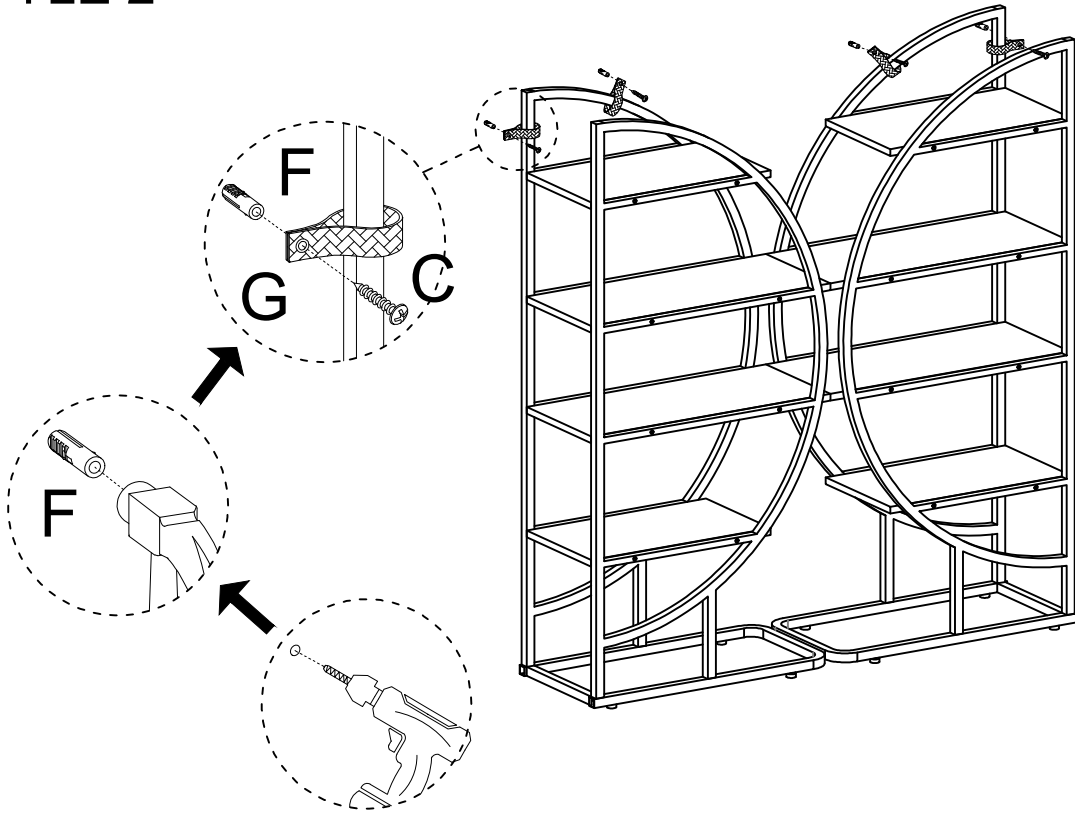
  
Φ6x30mm

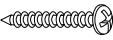
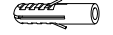

(F) ×3pcs



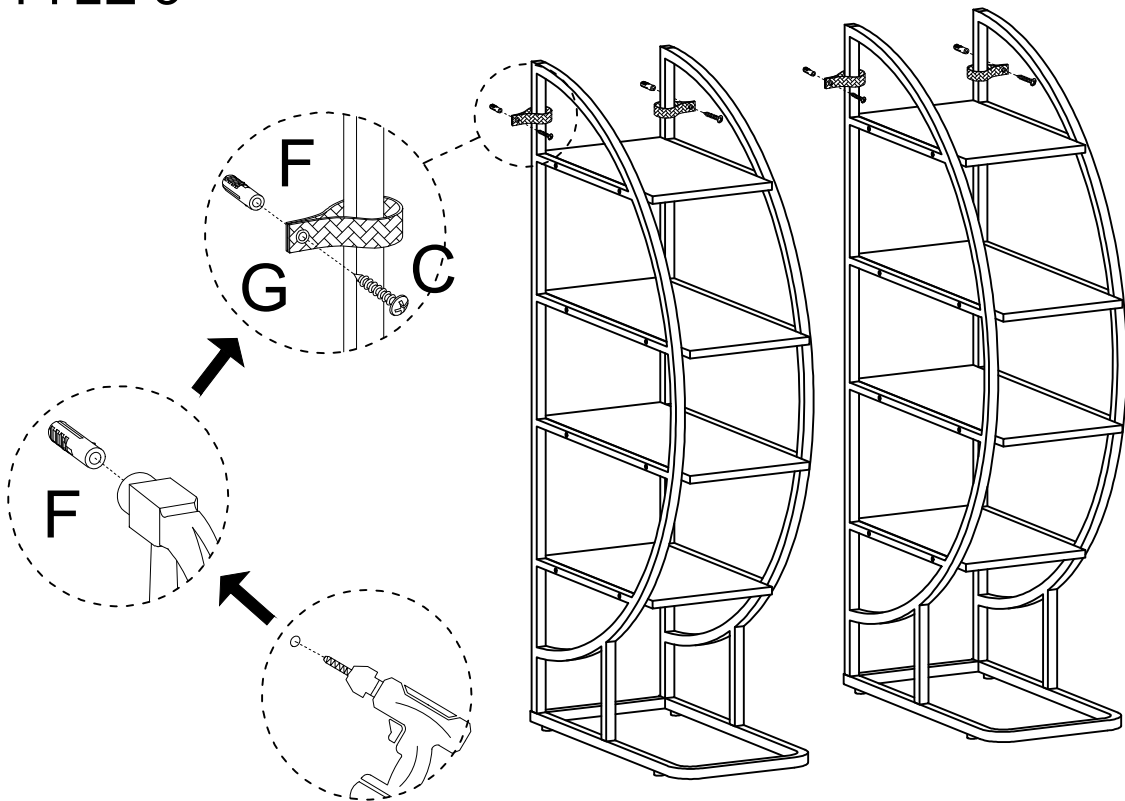
(G) ×3pcs

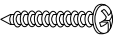
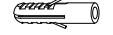

Step 4  
STYLE 2




4x35mm
Ⓒ×4pcs

Φ6x30mm
Ⓕ×4pcs

Ⓖ×4pcs

Step 4  
STYLE 3




4x35mm
Ⓒ×4pcs

Φ6x30mm
Ⓕ×4pcs

Ⓖ×4pcs