
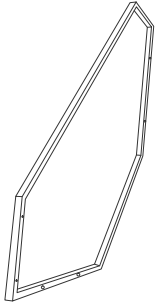

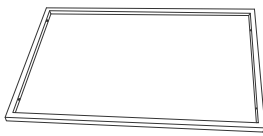

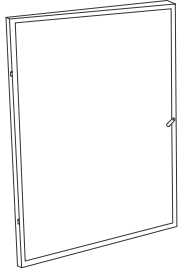

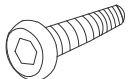




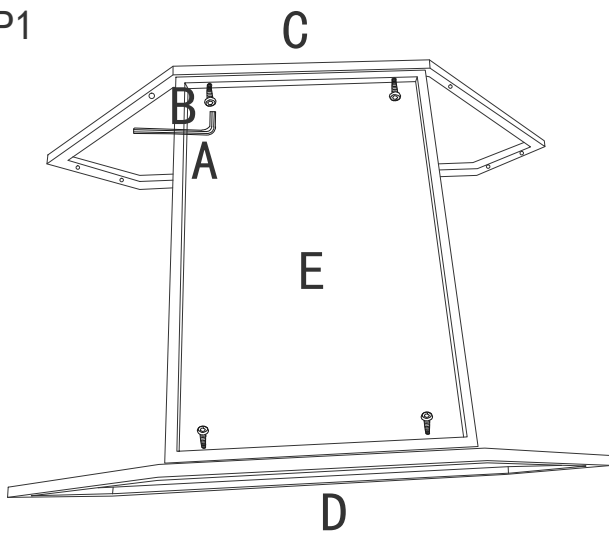
ASSEMBLY INSTRUCTION

(DON'T FULLY TIGHTEN THE SCREWS BEFORE FINISHING ASSEMBLY)

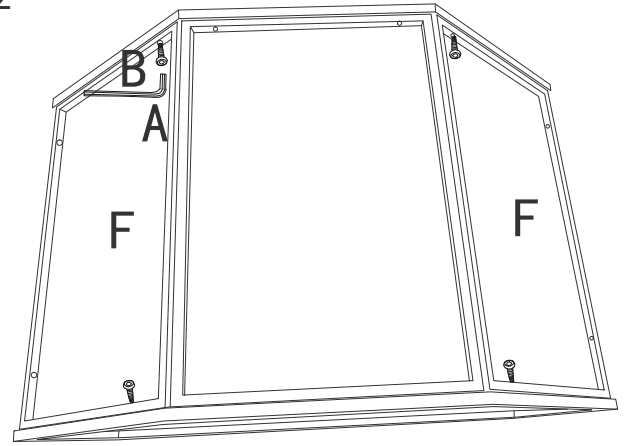
COMPONENTS:

A) 1PC 	C) 1PC 	D) 1PC 	E) 1PC 	G) 1PC 	I) 1PC 	J) 1PC 
B) 20PCS 			F) 2PCS 	H) 1PC 		

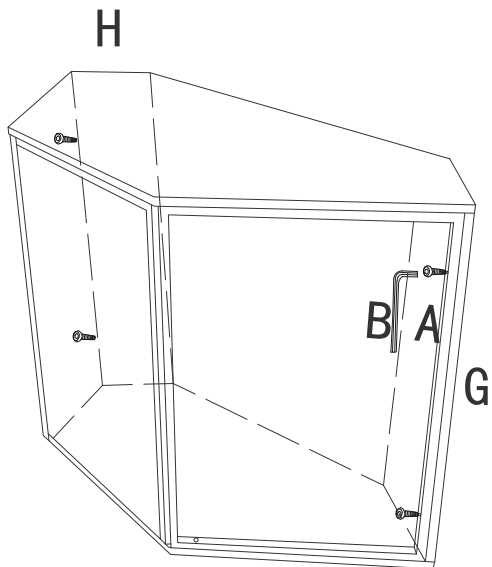
STEP1



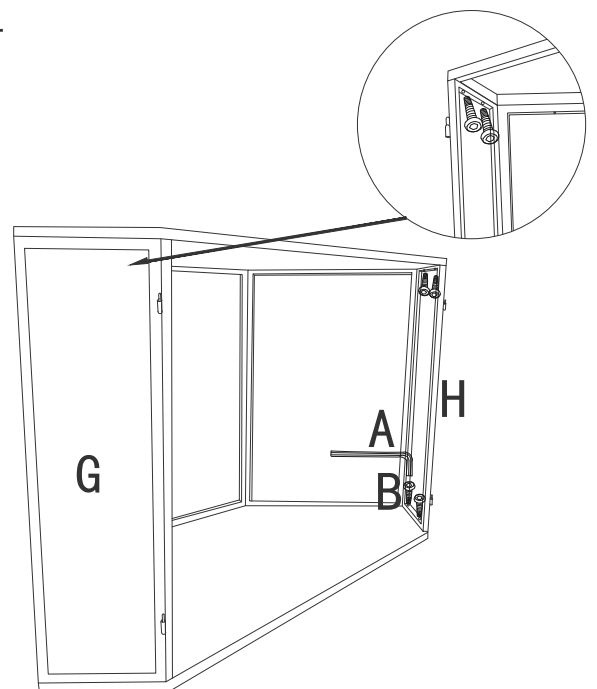
STEP2



STEP3



STEP4

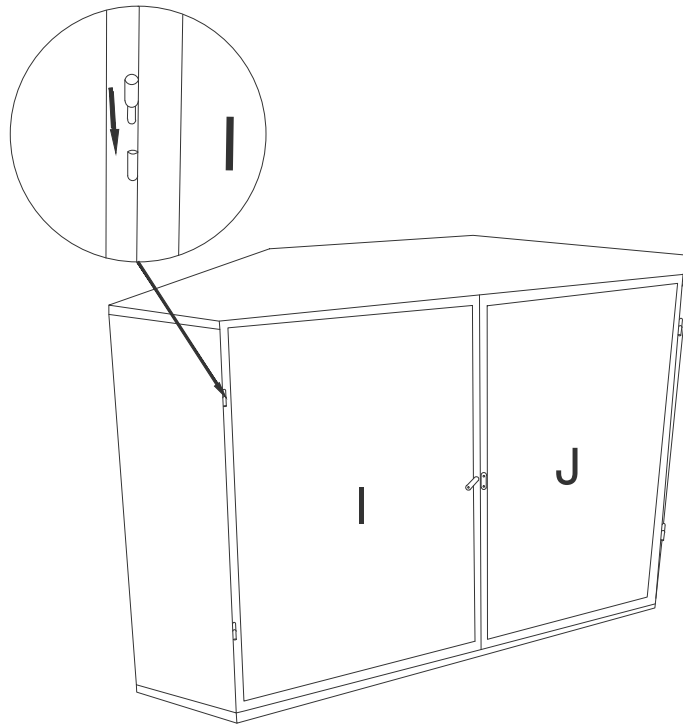


ASSEMBLY INSTRUCTION

(DON'T FULLY TIGHTEN THE SCREWS BEFORE FINISHING ASSEMBLY)

COMPONENTS:

STEP5



STEP6

