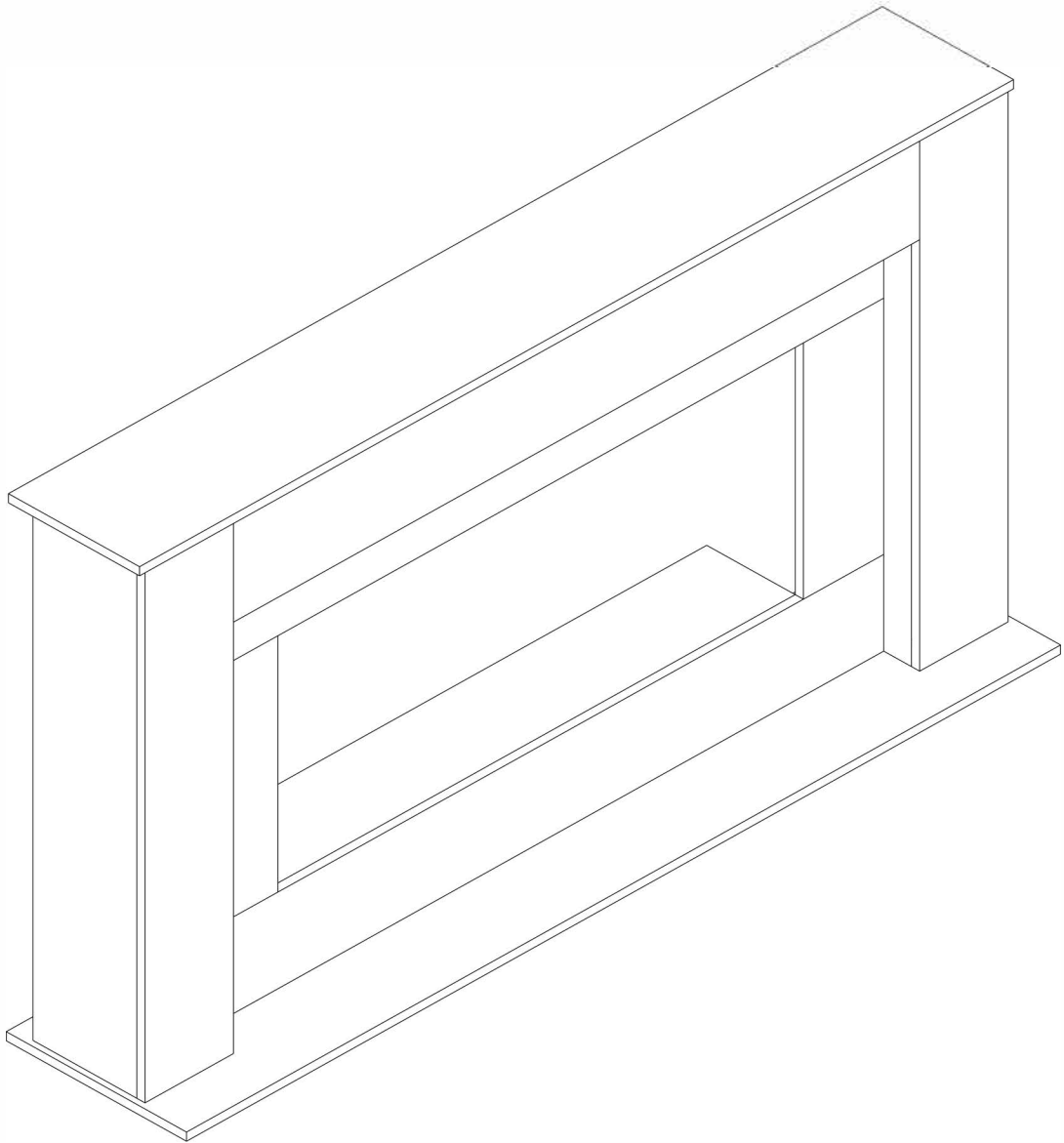
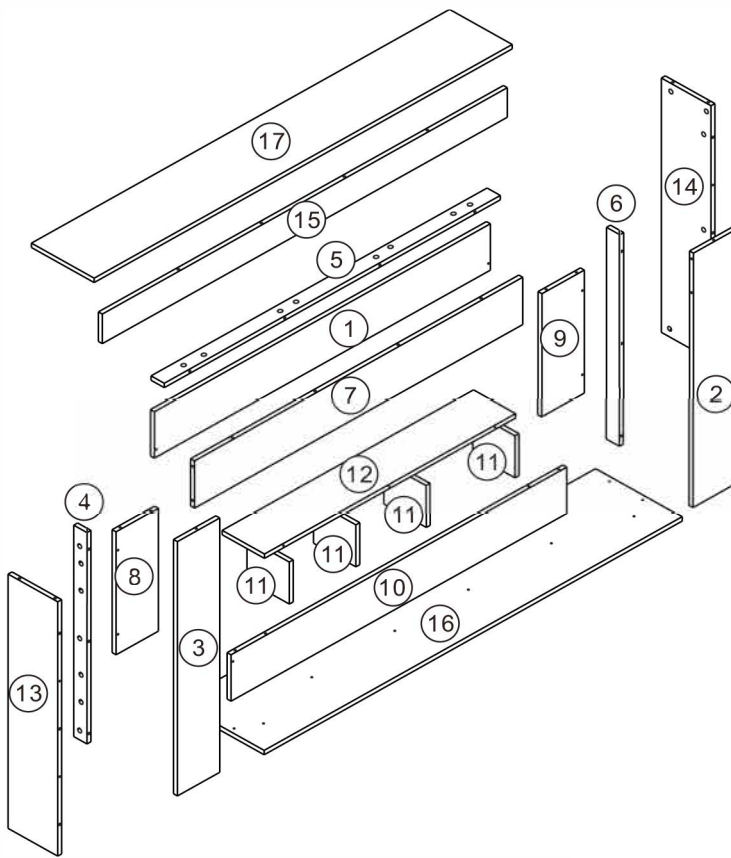
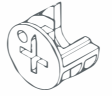


Installation Guide

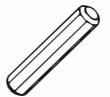




Ax68



Bx68

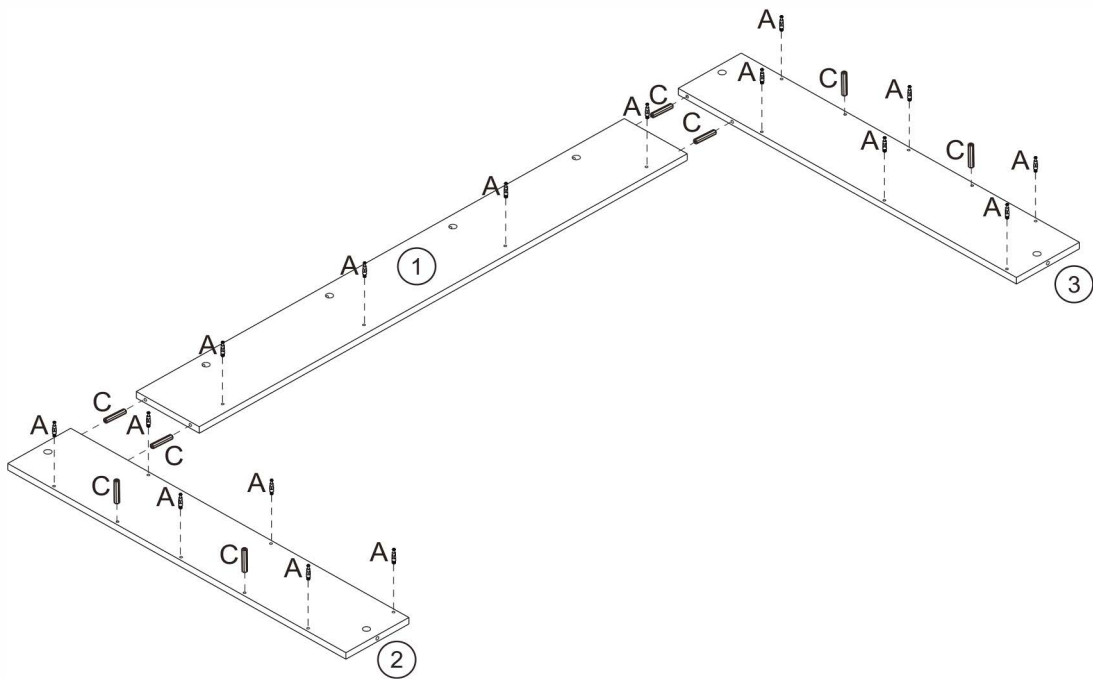


Cx16



Dx1

Step 1

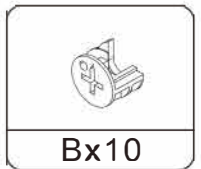
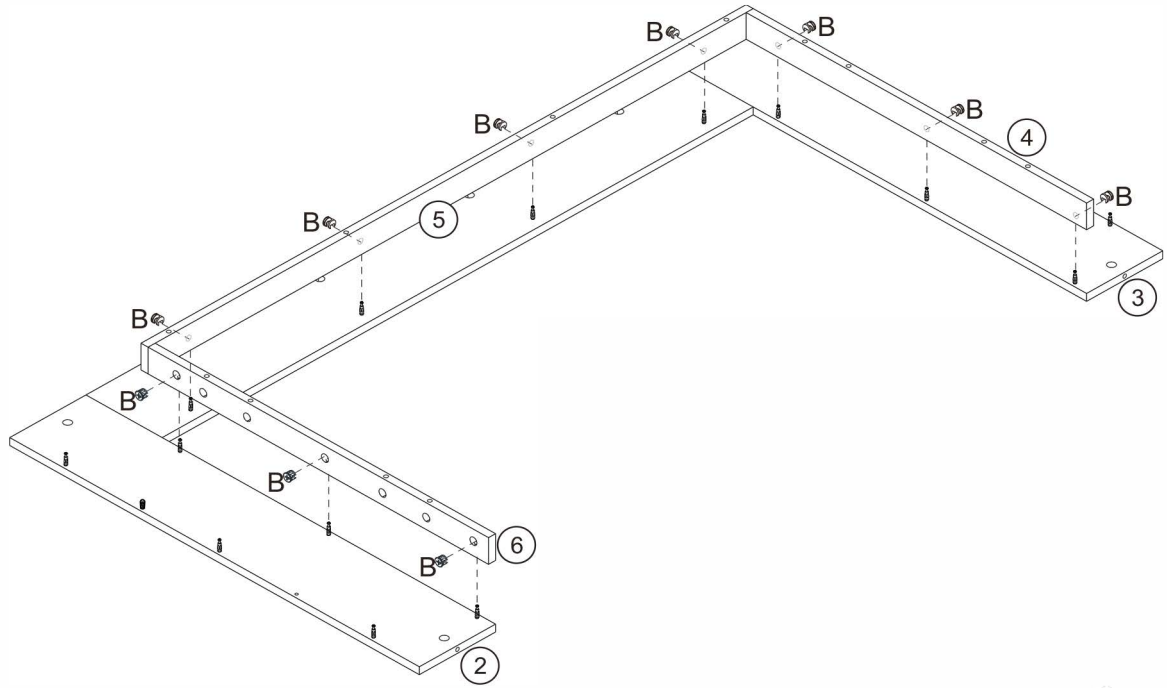


Ax16

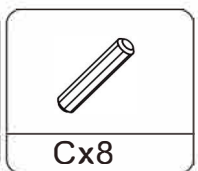
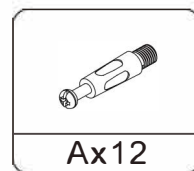
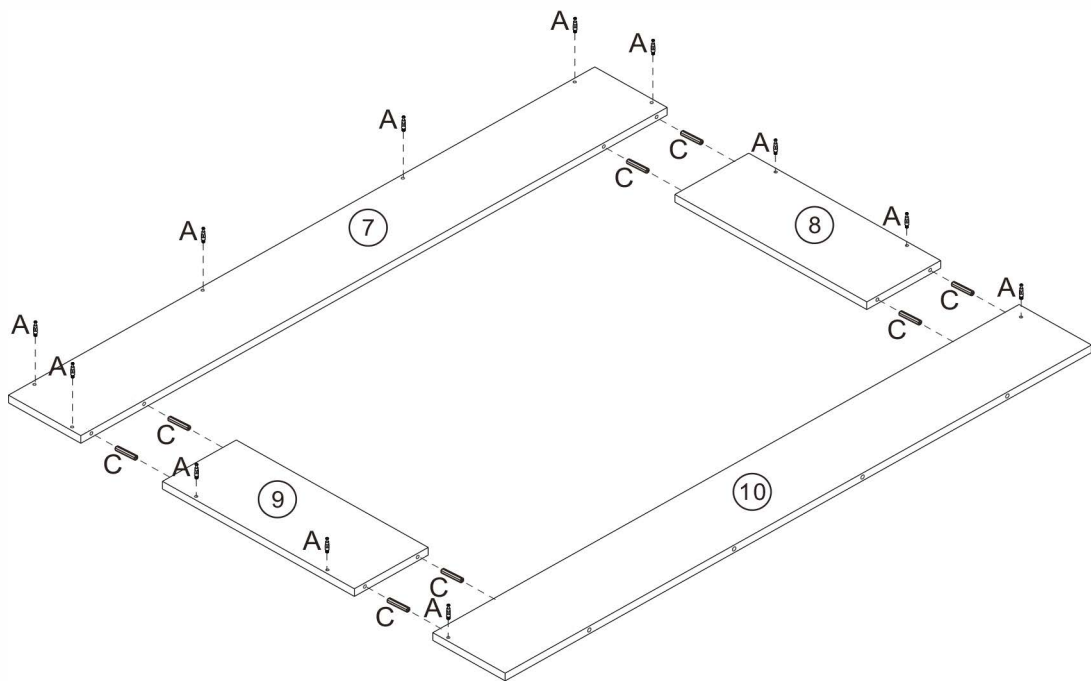


Cx8

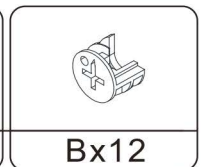
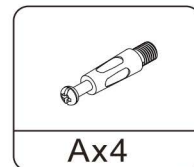
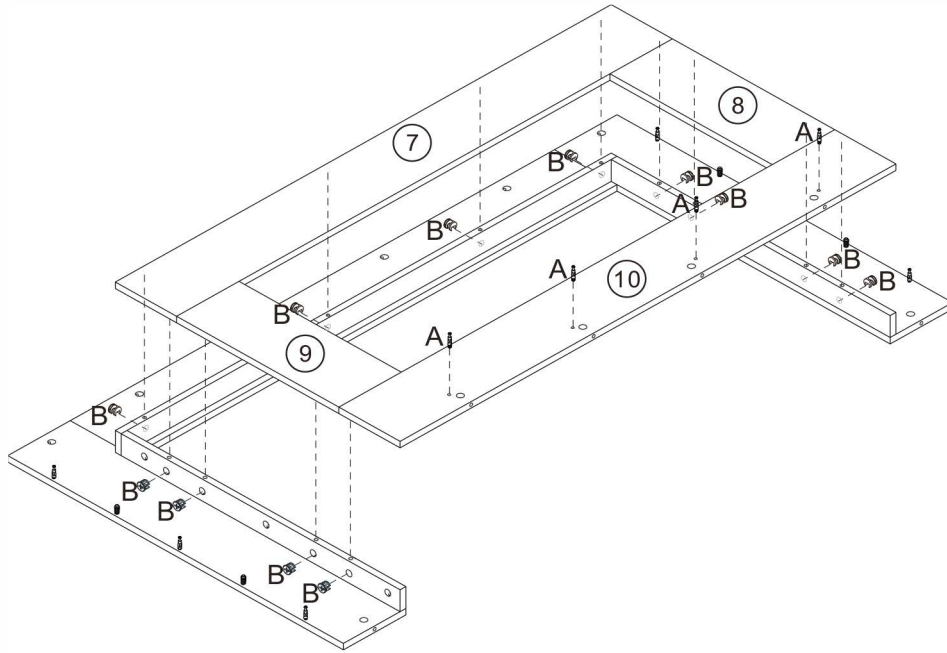
Step 2



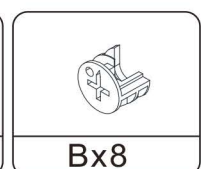
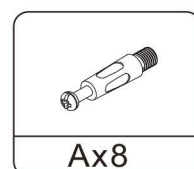
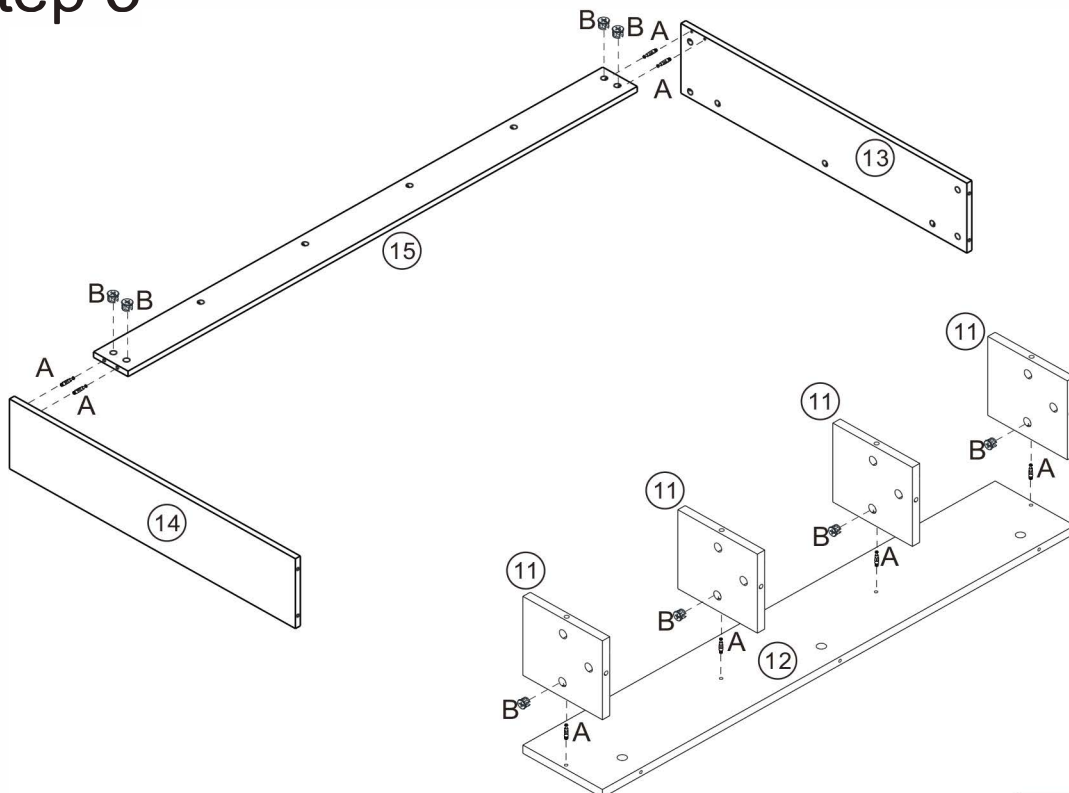
Step 3



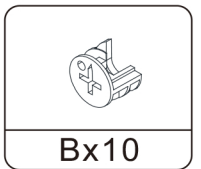
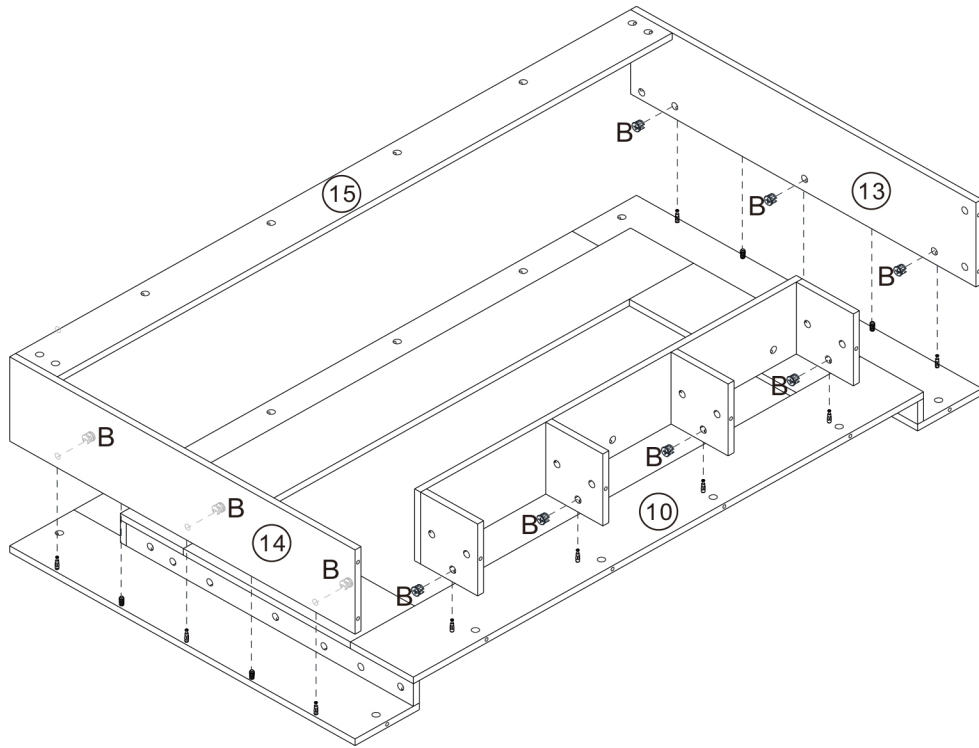
Step 4



Step 5

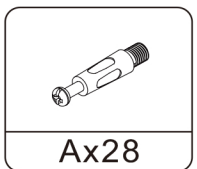
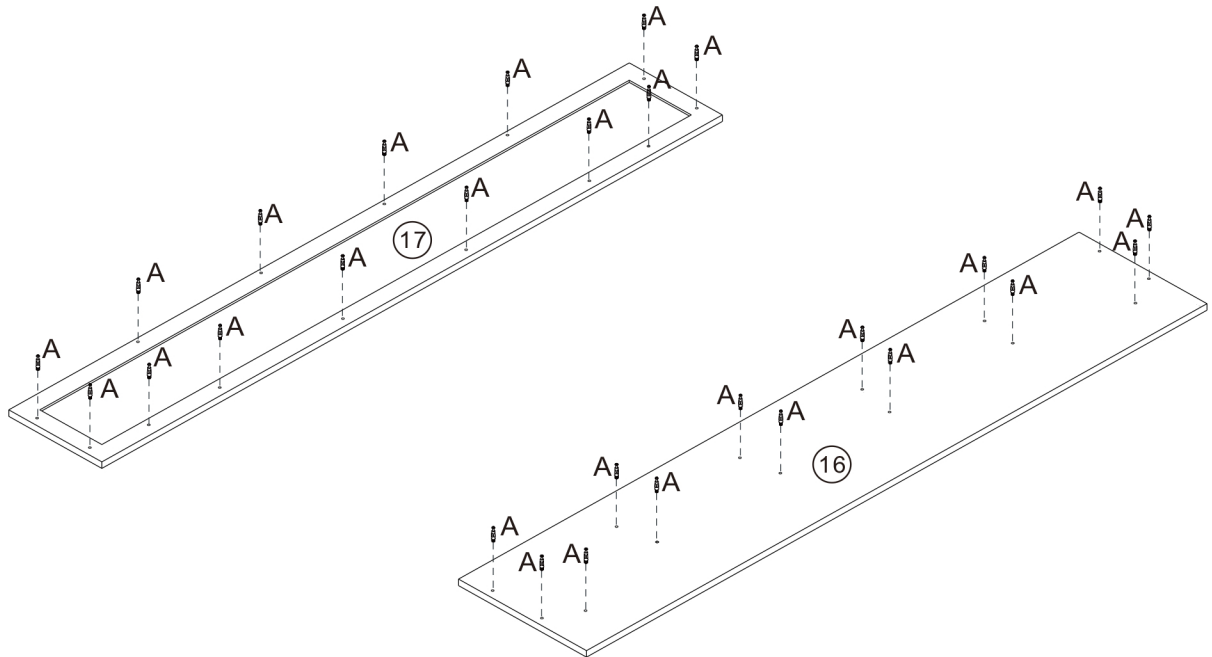


Step 6



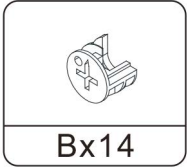
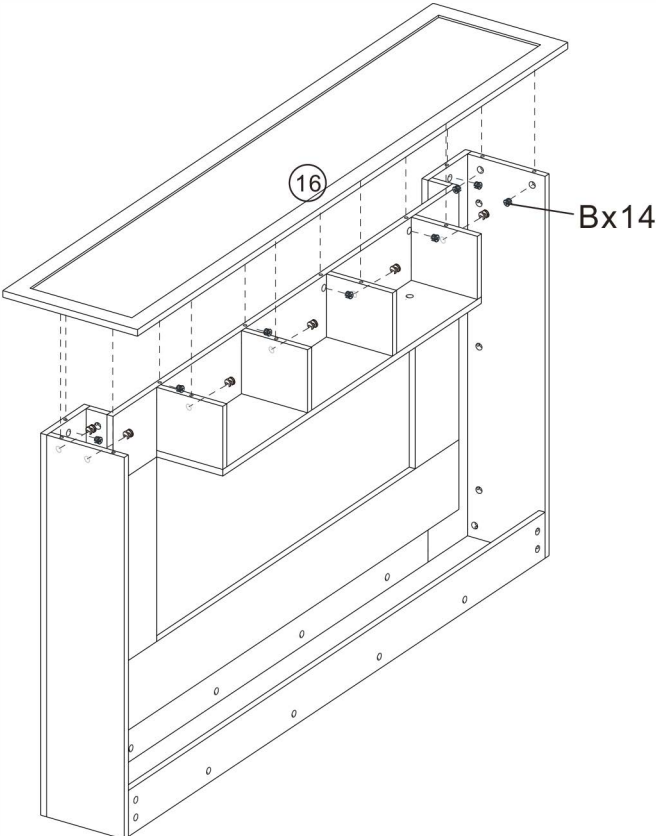
Bx10

Step 7

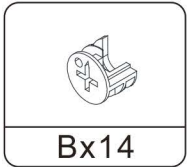
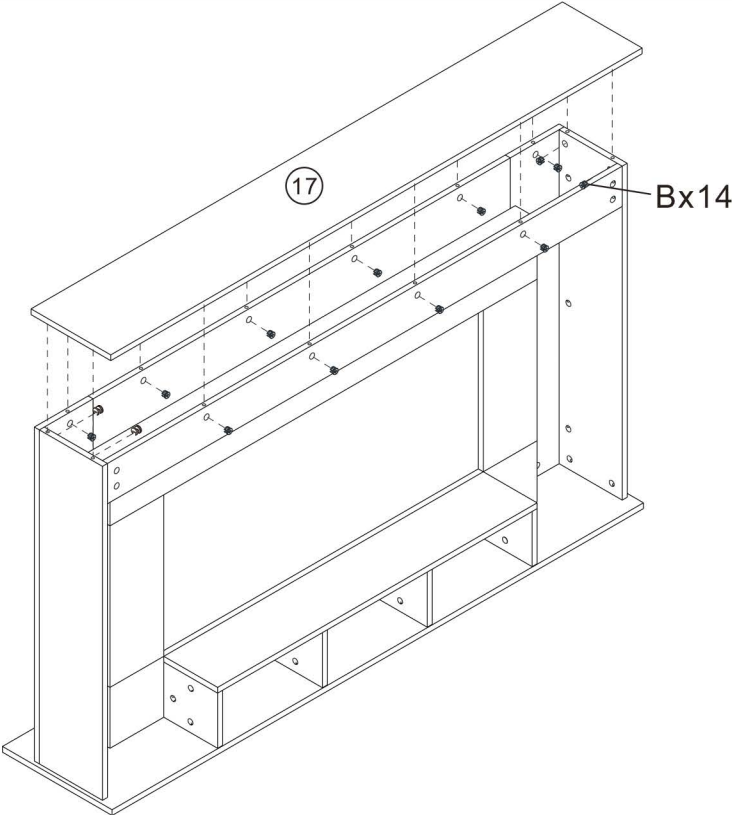


Ax28

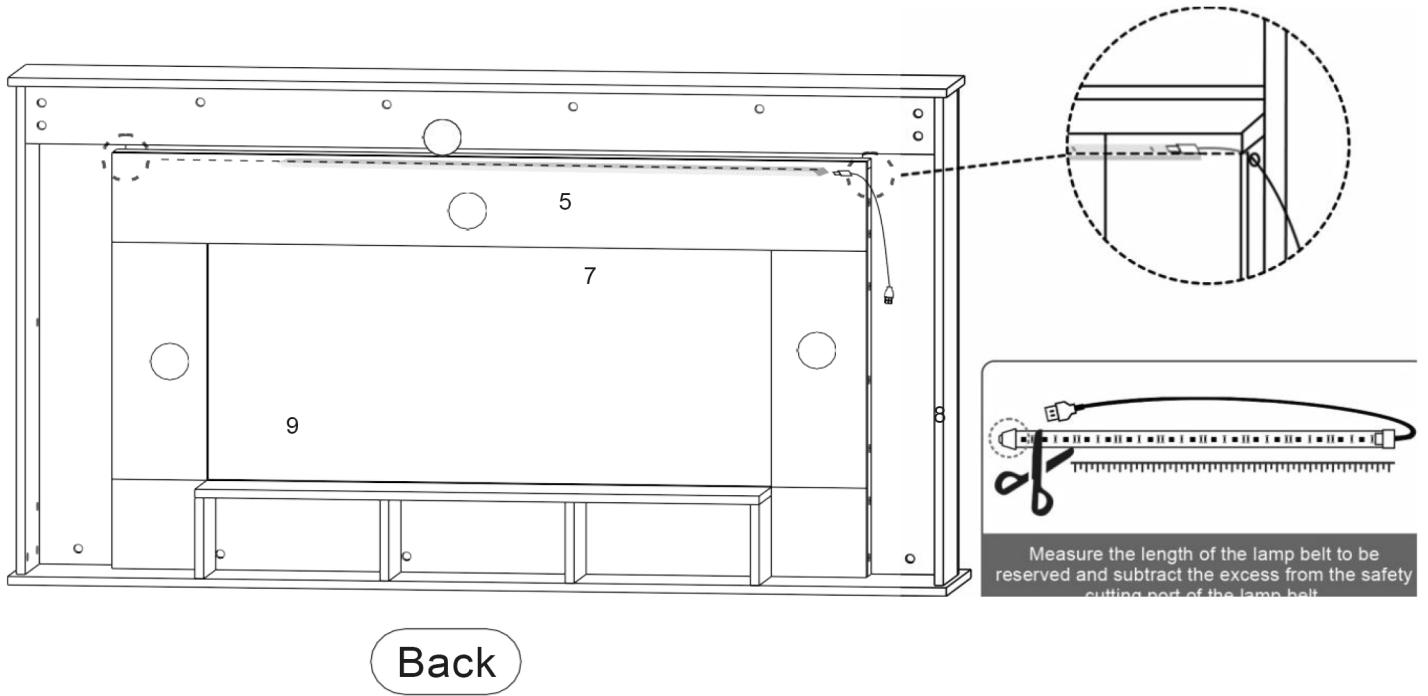
Step 8



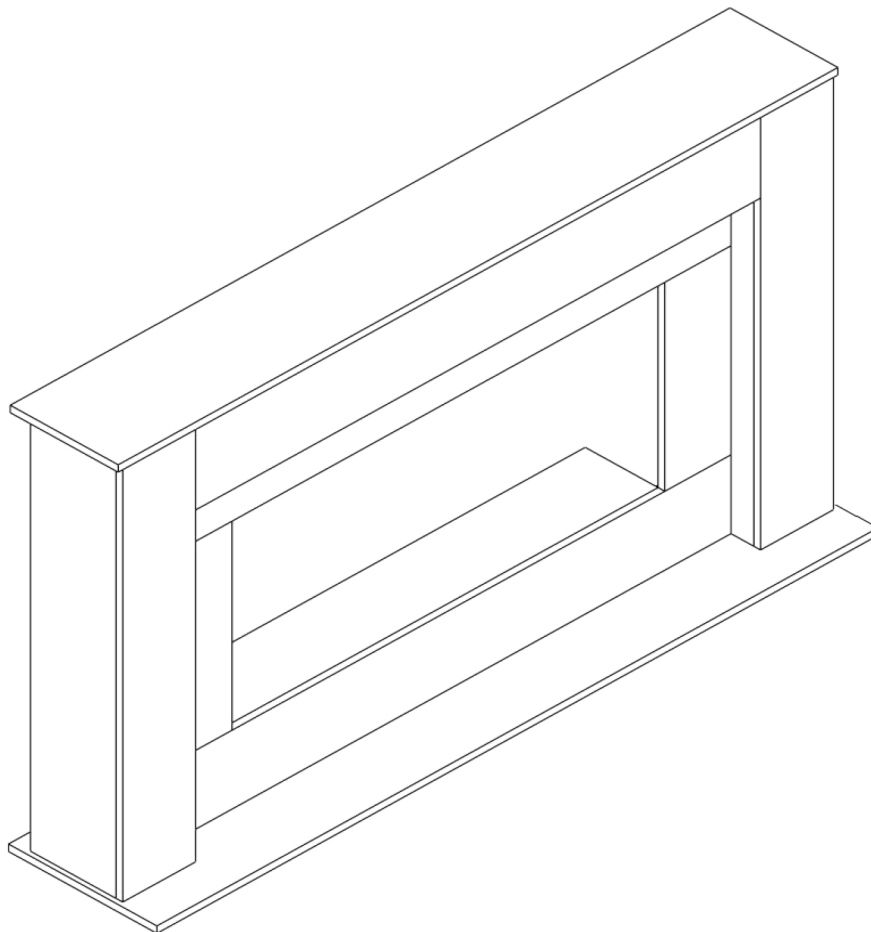
Step 9



Step 10



Step 11

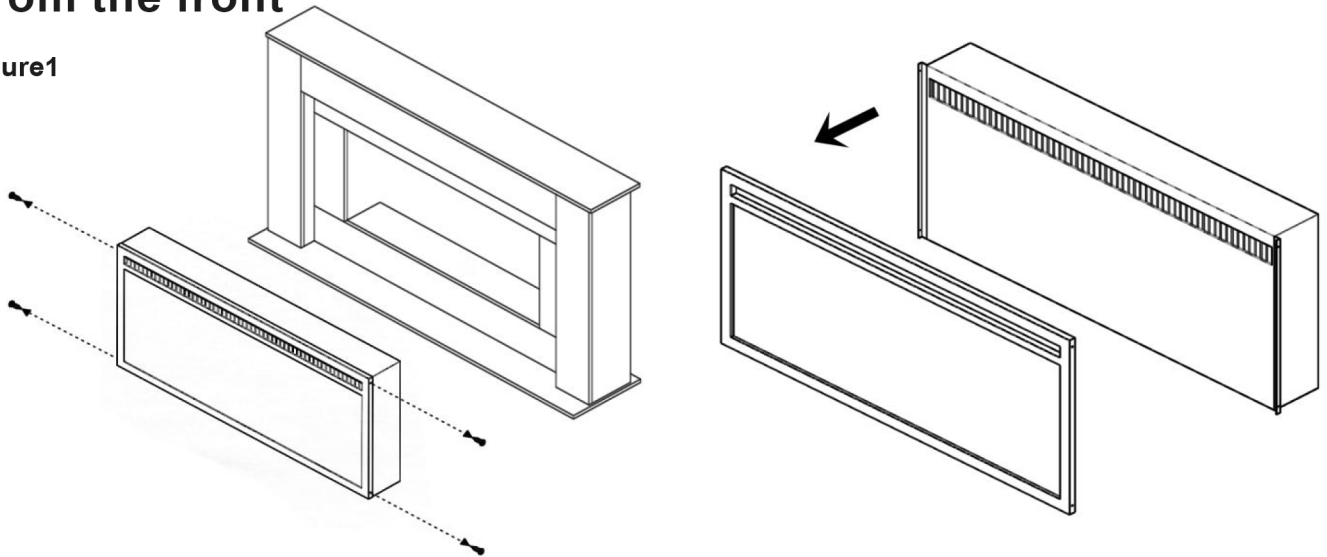


Step 12

1. This product is only suitable for EF03-36 electronic fireplaces
2. Please read the instructions provided with the electronic fireplace carefully before installing it
3. The following are instructions for installing the EF03-36 into the ring mantel only
4. In order to adjust the fireplace to its proper position, we have included RUBBER PADS, please attach them to the bottom of the fireplace before installation

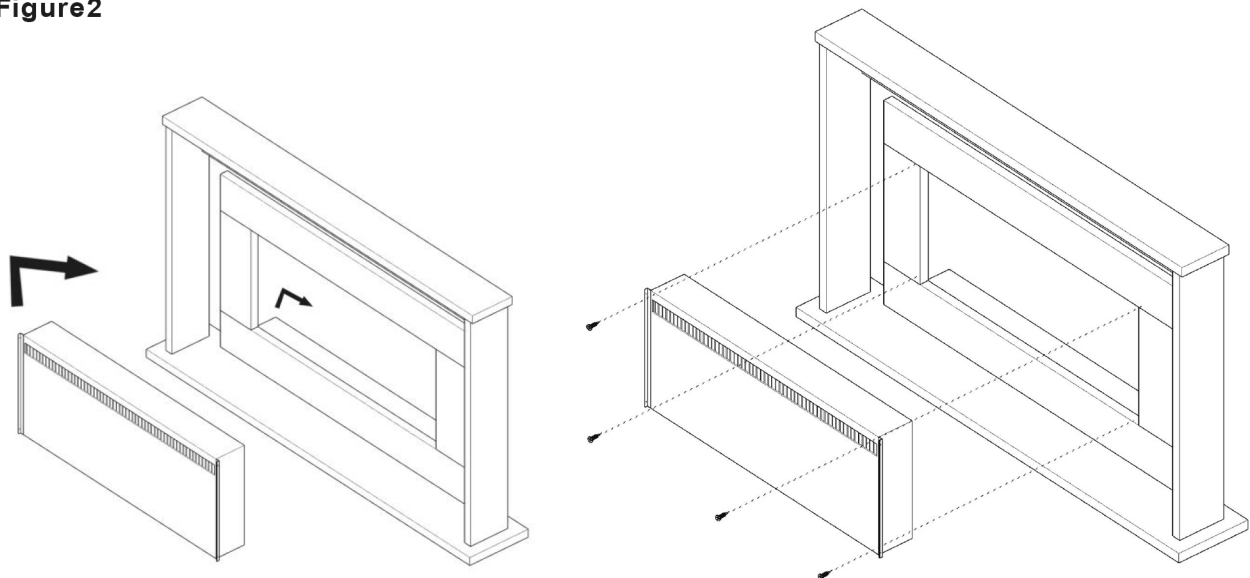
From the front

Figure1



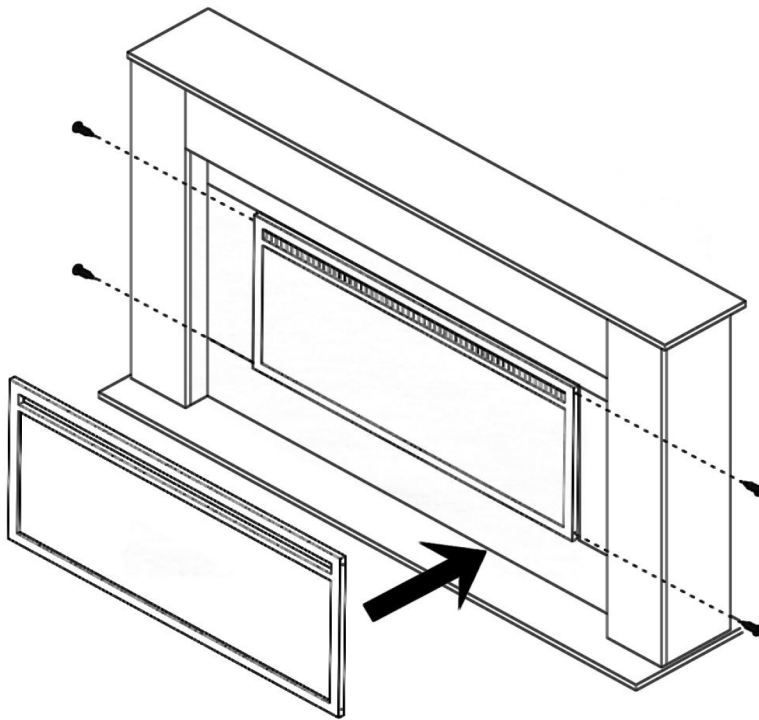
1. Remove the trim, as shown. [Figure 1] Please keep the trim so that you can use it again in the future.

Figure2



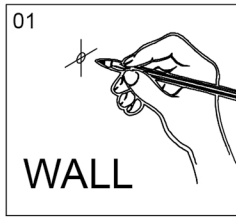
2. Locate the final location of your fireplace. Making sure that you have clear access to an electrical outlet, position the fireplace mantel close to it's final location, leaving enough room to access the front of the mantel. Use (4) M4 * 8 mm Wood Screw(B) to affix the fireplace to firebox [Figure 2]

Figure3

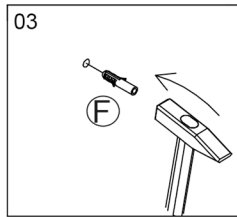


3. Install the back trim according to the legend and tighten the locking screws [Figure 3]

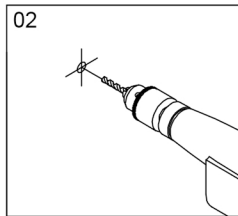
Step 13



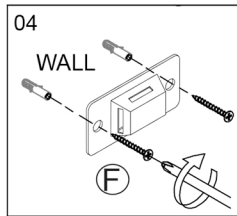
Locate mounting position



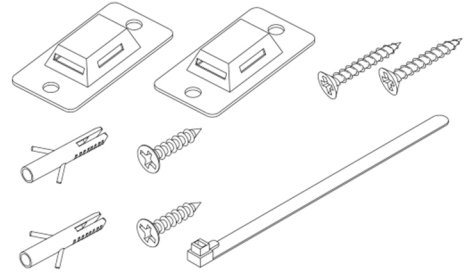
Install anchors



Drill holes for anchors

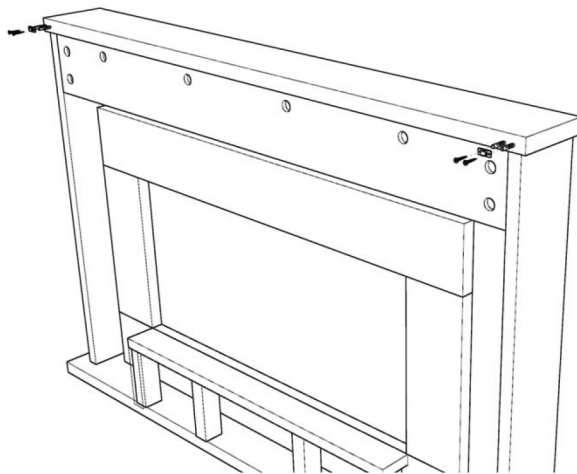


Secure plastic brackets to the wall



Anti-Tilt ×2

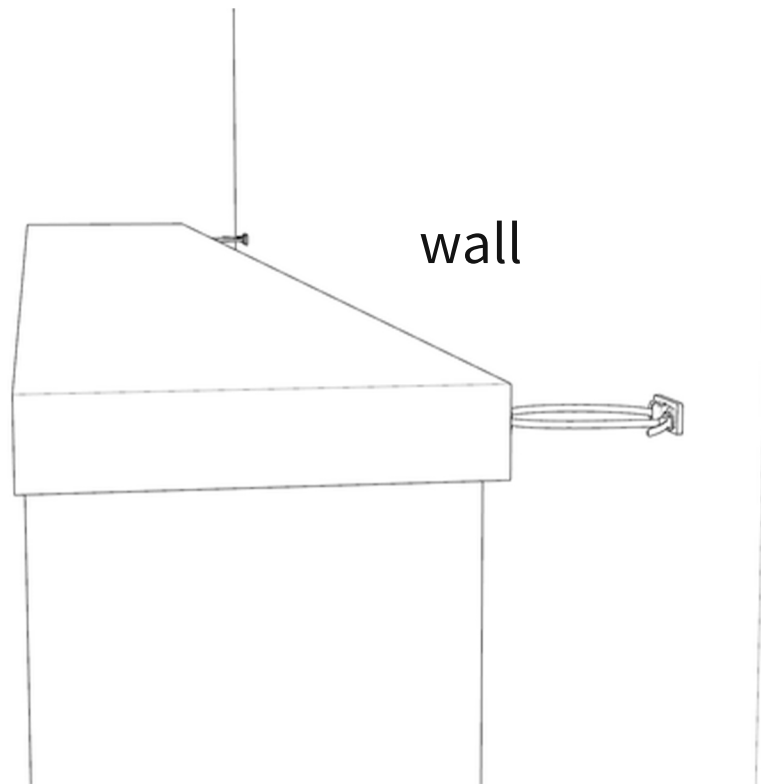
Step 14



Back

Secure plastic brackets on the back of the mantel

Step 15



loop the plastic zip tie around
the mantel and through the clips until tighten.