
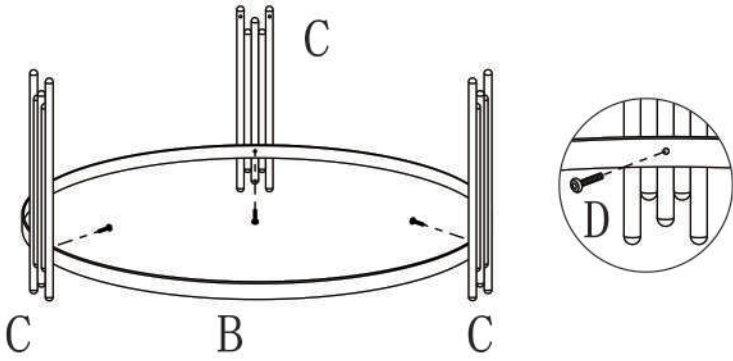


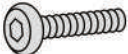
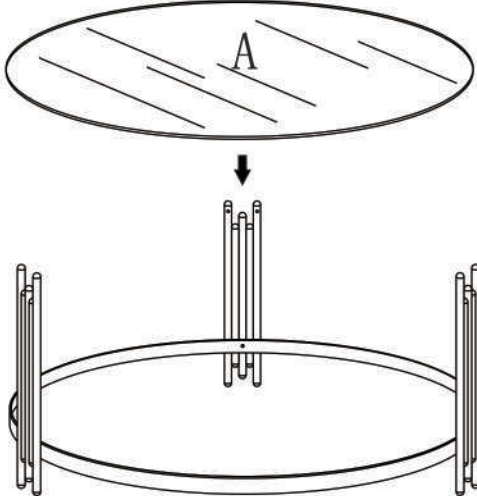

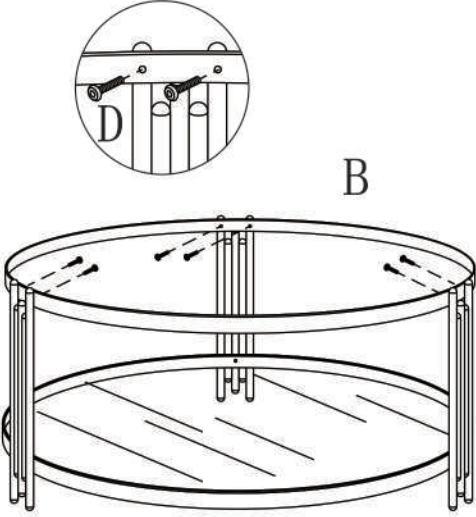


# Assembly Instruction

Parts List	Illustration	Qty	
A		2	<p>1</p> 
B		2	
C		3	
D	 $\Phi 6 \times 15 \text{mm}$	9	<p>2</p> 
E		1	
<p>3</p> 			
			<p>4</p> 