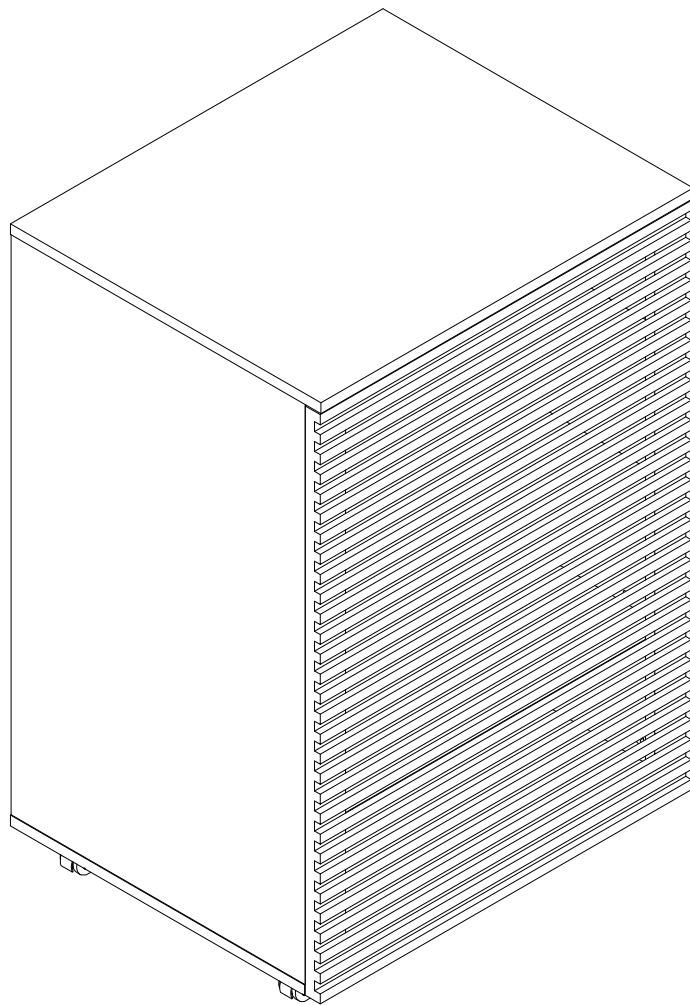


# Assembly Instructions

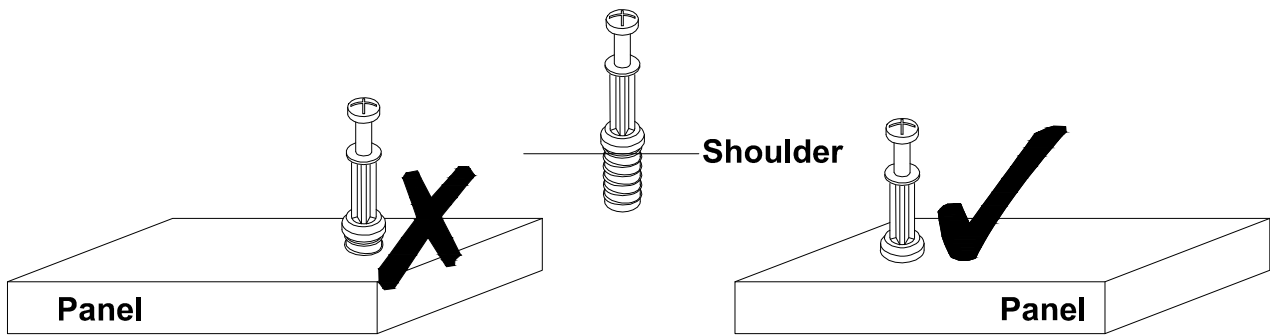


# Before Assembly

## Tips Before Your Start:

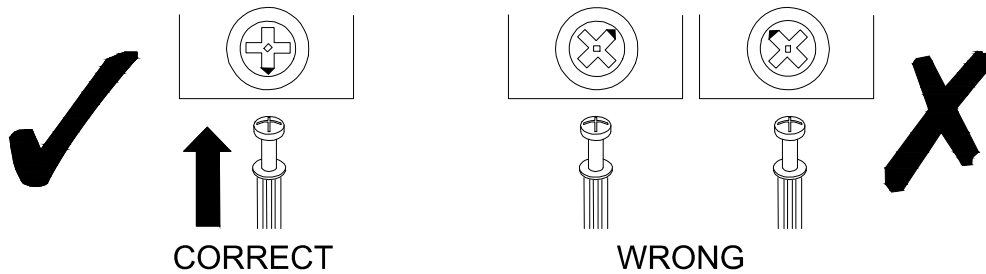
- Remove all wrapping material, including staples & packing straps before you start to assemble.
- DO NOT tighten all screws and bolts until the assembly is completely assembled.
- Keep all hardware parts out of reach of children.

## QUICKFIT



Tighten quickfit until shoulder is flush with panel. Do not overtighten or undertighten.

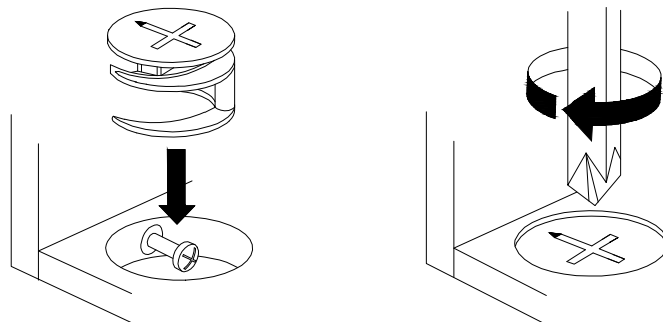
## CAM LOCK



When fitting a cam lock, ensure the starting position is correct before inserting the connecting QUI CKFIT




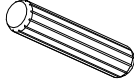
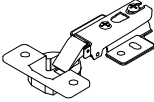
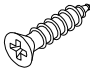
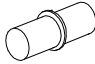
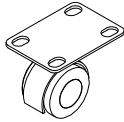
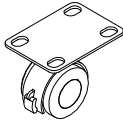

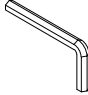
Quickfit head should be in the centre of the cam lock when the two panels are joined.

Cam lock should be inserted before quickfit.

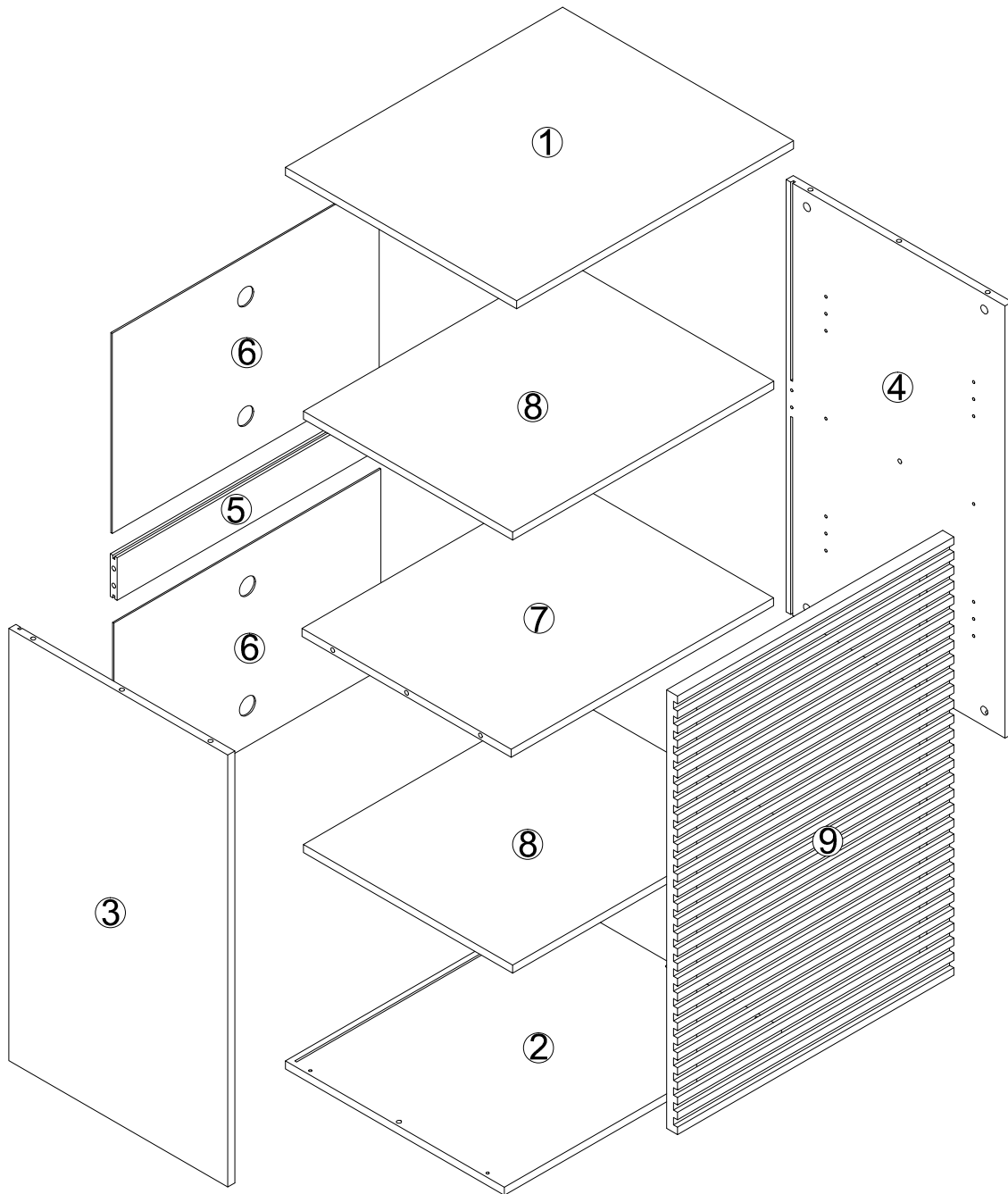


Turn cam lock clockwise to tighten.

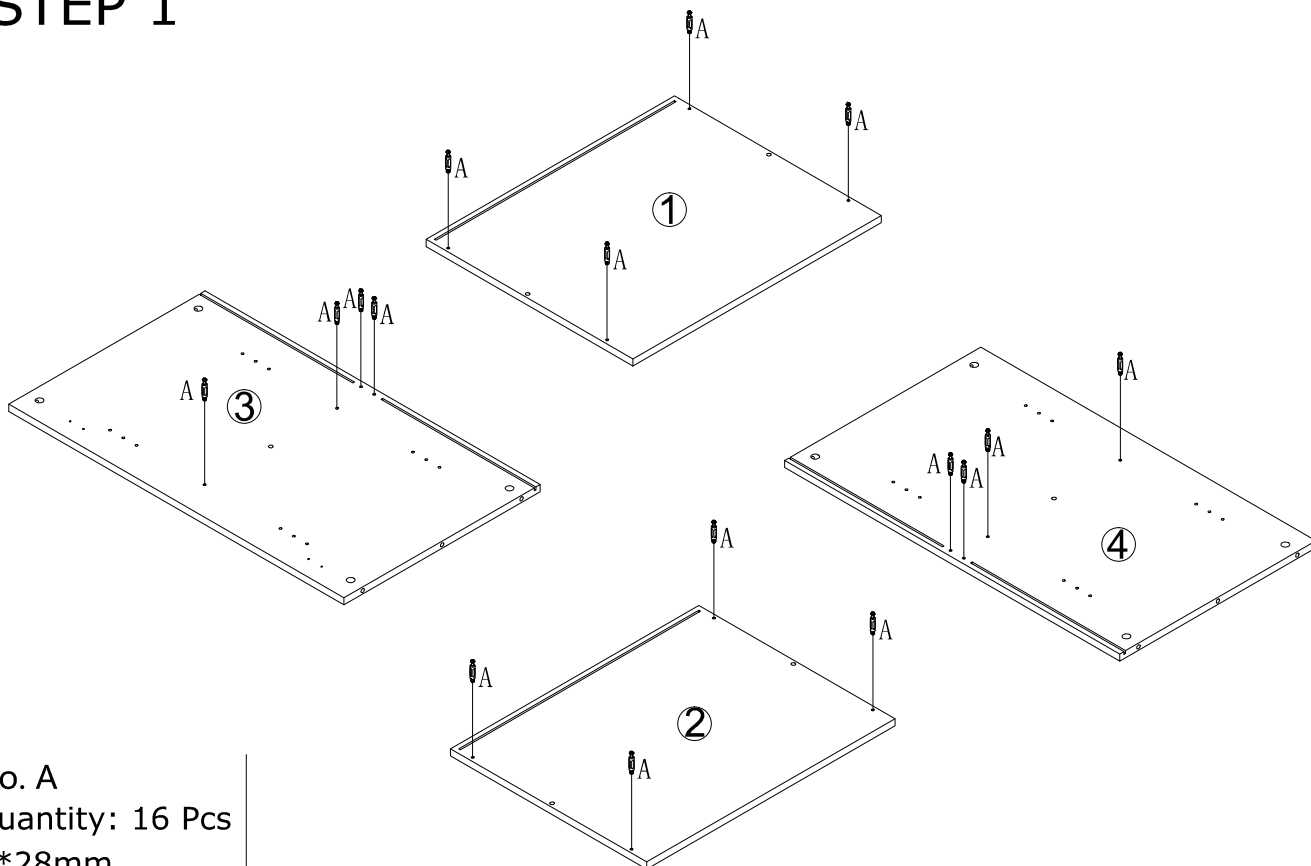
# Part List

<p><b>No. A</b> Quantity:16 Pcs Cam Lock Dowel 8*28mm</p> 	<p><b>No. B</b> Quantity:16 Pcs Cam Ø15</p> 	<p><b>No. C</b> Quantity:16 Pcs Sticker Ø20</p> 	<p><b>No. D</b> Quantity:6 Pcs Dowel 8*30mm</p> 
<p><b>No. E</b> Quantity:2 Pcs Hinge</p> 	<p><b>No. F</b> Quantity:12 Pcs Screw M3.5*14mm</p> 	<p><b>No. G</b> Quantity:8 Pcs Shelf Support M5*15mm</p> 	<p><b>No. H</b> Quantity:2 Pcs Caster wheel</p> 
<p><b>No. I</b> Quantity:2 Pcs Swivel casters with brakes</p> 	<p><b>No. J</b> Quantity:16 Pcs Screw M6*10mm</p> 	<p><b>No. K</b> Quantity:1 Pcs Allen Key 4#</p> 	

# Product structure



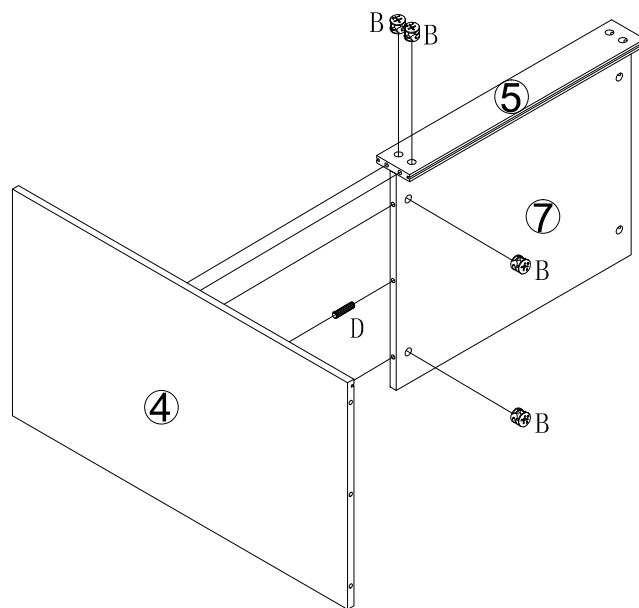
# STEP 1



No. A  
Quantity: 16 Pcs  
8\*28mm



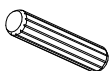
# STEP 2



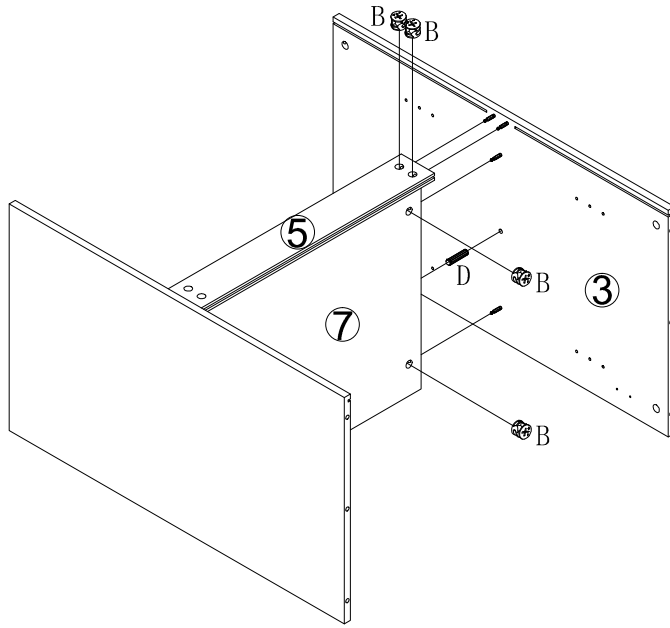
No. B  
Quantity: 4 Pcs  
Ø15



No. D  
Quantity: 1 Pcs  
8\*30mm



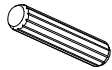
# STEP 3



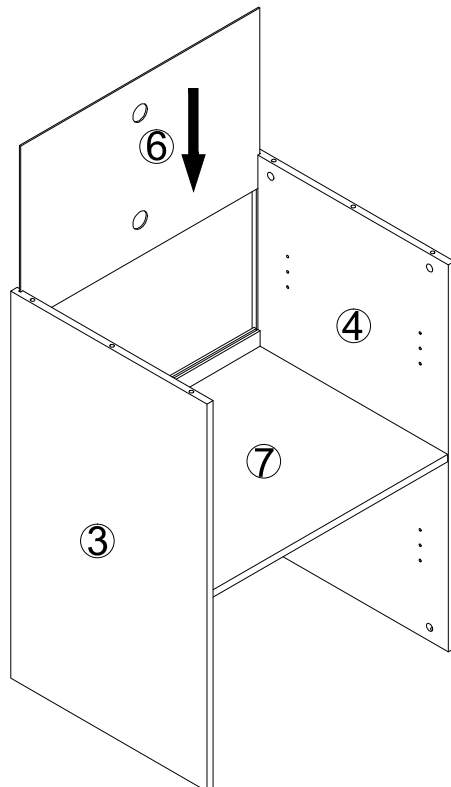
No. B  
Quantity: 4 Pcs  
Ø15



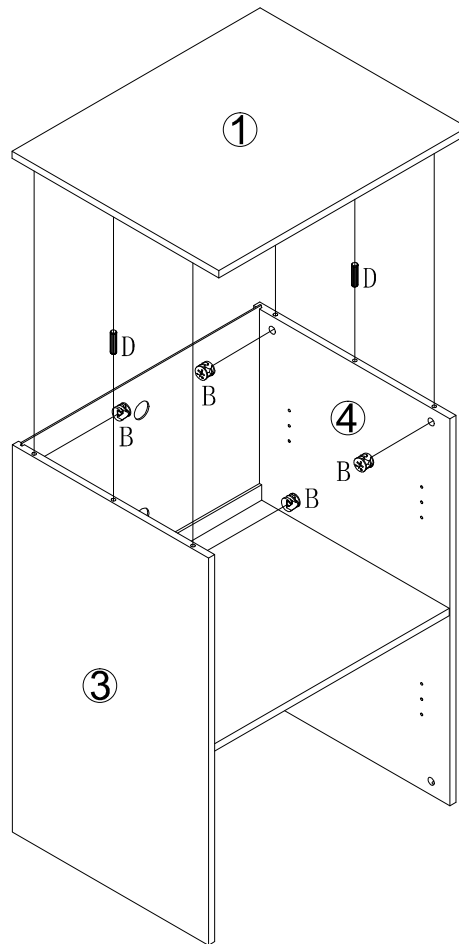
No. D  
Quantity: 1 Pcs  
8\*30mm



# STEP 4



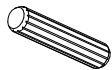
# STEP 5



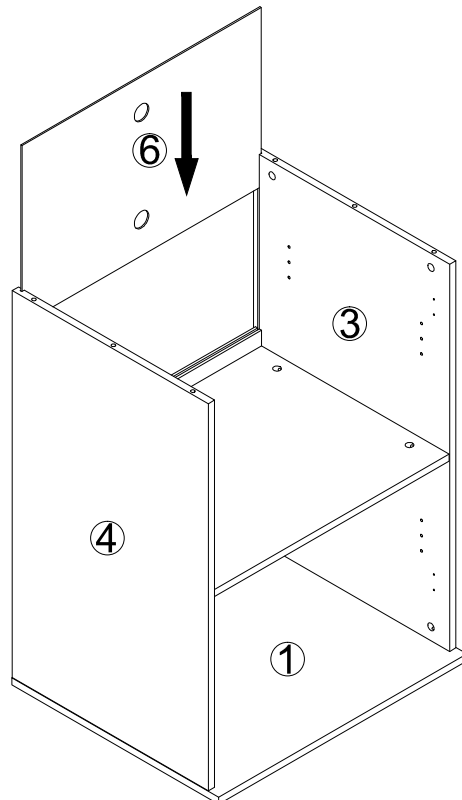
No. B  
Quantity: 4 Pcs  
Ø15



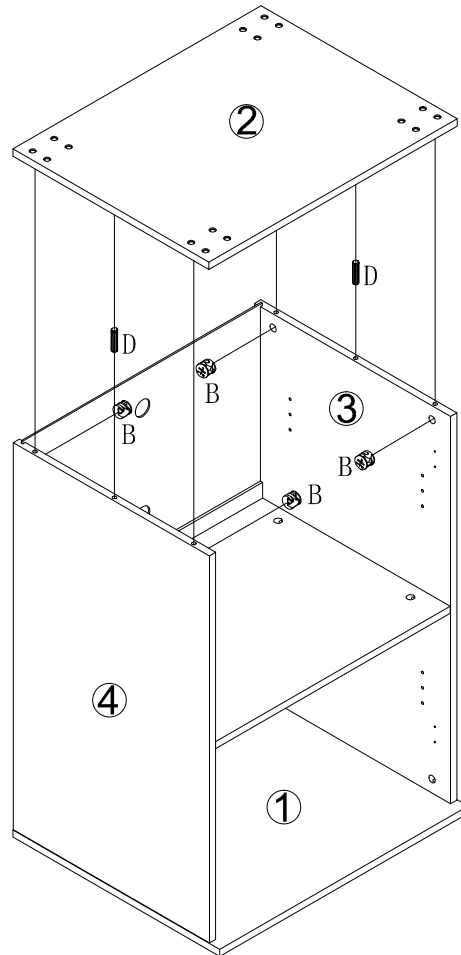
No. D  
Quantity: 2 Pcs  
8\*30mm



# STEP 6



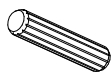
# STEP 7



No. B  
Quantity: 4 Pcs  
Ø15



No. D  
Quantity: 2 Pcs  
8\*30mm

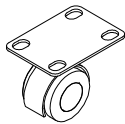


# STEP 8

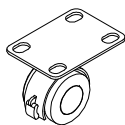
No. G  
Quantity: 8 Pcs  
M5\*15mm



No. H  
Quantity: 2 Pcs



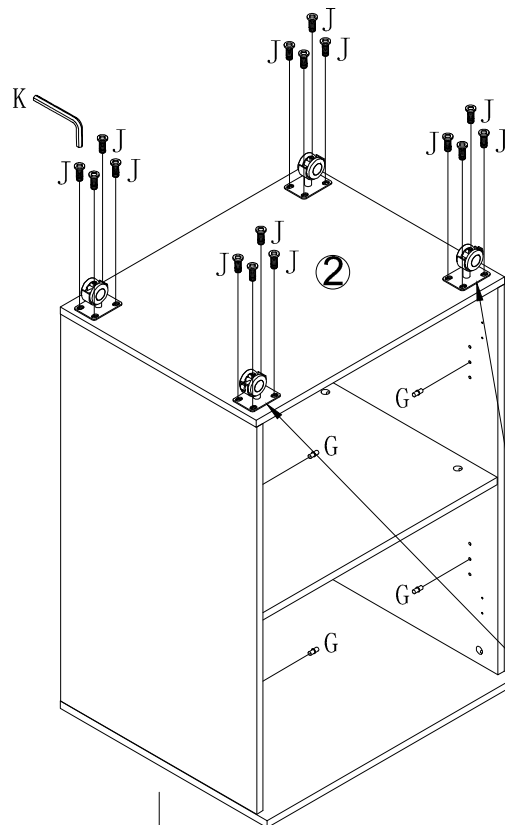
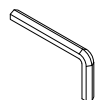
No. I  
Quantity: 2 Pcs



No. J  
Quantity: 16 Pcs

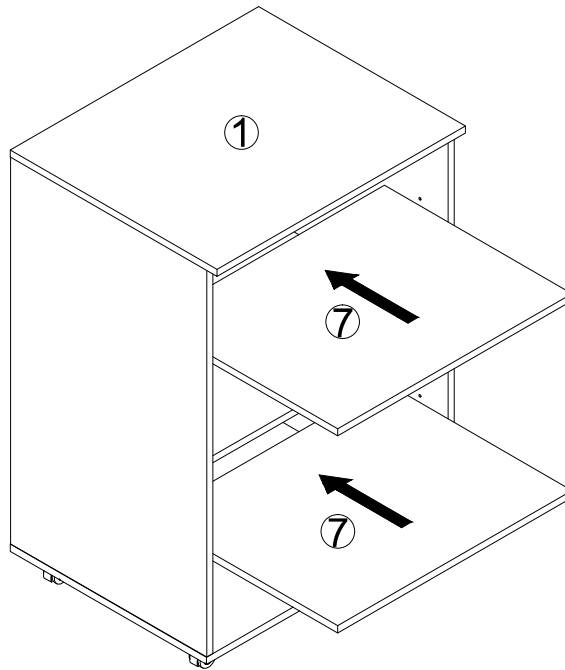


No. K  
Quantity: 1 Pcs

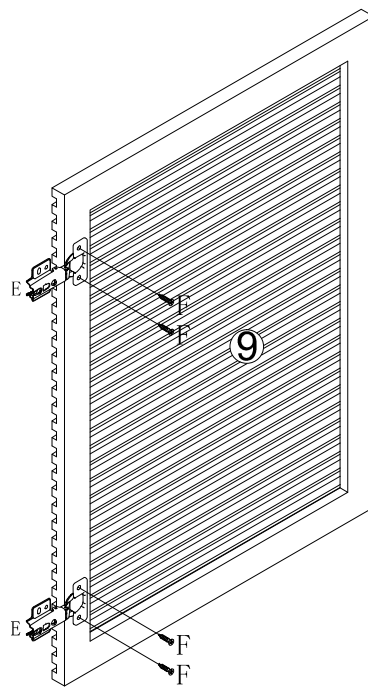


Note: The first two wheels are equipped with brakes, and if you want to keep the cabinet stationary, you can pull the switch on top to stop the cabinet from.

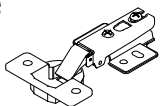
# STEP 9



# STEP 10



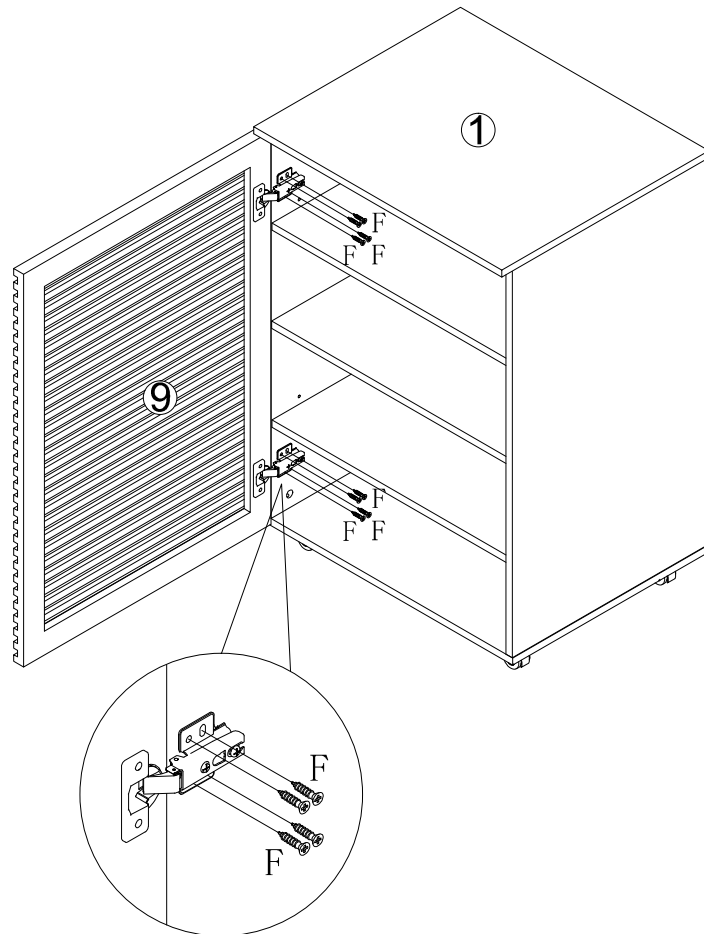
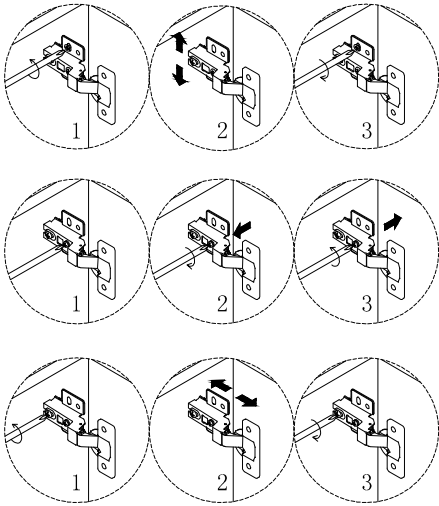
No. E  
Quantity: 2 Pcs  
Hinge



No. F  
Quantity: 4 Pcs  
M3.5\*14mm



# STEP 11



No. F  
Quantity: 8 Pcs  
M3.5\*14mm



# STEP 12

