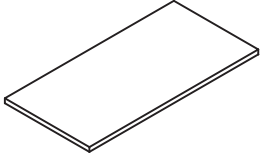
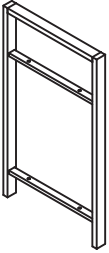





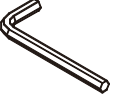
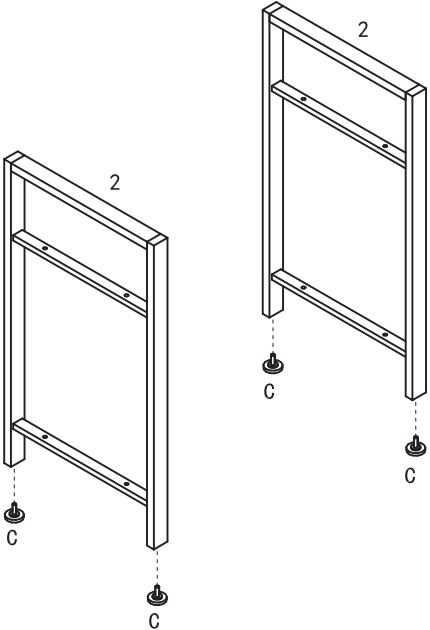


# Assembling Instruction

Attention: Do not tighten the screws until all of them are in right positions

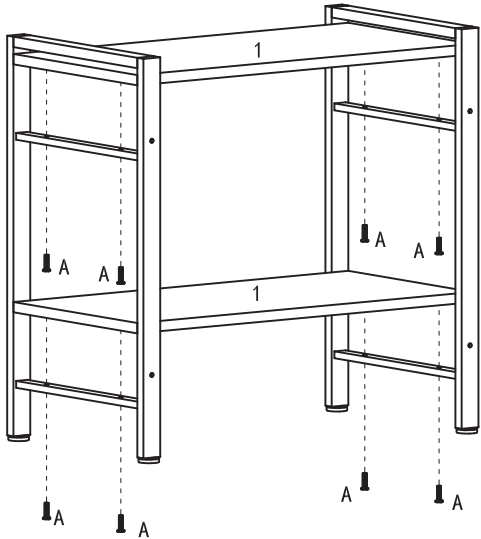
<p>1</p>  <p>X2</p>	<p>2</p>  <p>X2</p>	<p>3</p>  <p>X2</p>		
<p>A</p>  <p>M6X20 X8</p>	<p>B</p>  <p>M6X12 X5</p>	<p>C</p>  <p>M6 X4</p>	<p>D</p>  <p>M6 X1</p>	

1



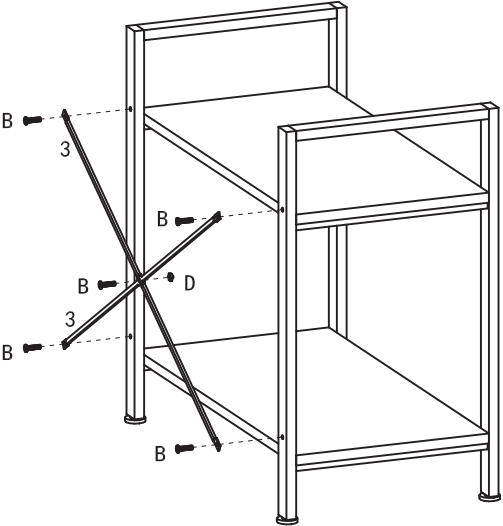
C X4

2



A X8

3



B X5  
D X1

