

Buffet Cabinet Installation Manual

INSTRUCTION MANUAL

IMPORTANT WARRANTY INFORMATION

PLEASE READ CAREFULLY

AFTER-SALES CONTACT US

Questions? Concern? Contact our Customer Support Team. Your satisfaction is our priority. Our team is available 24/7 to assist you. We respond to all inquiries within 24 hours.

All items can be returned or replaced for any reason within 30 days of the receipt as long as the item is returned in its original product package and all accessories of its original shipment are included.

About Replacement:

Missing or Damaged Parts? Do not return the entire unit. Contact us with your Order ID, and we will ship replacement parts free of charge.

About Returns:

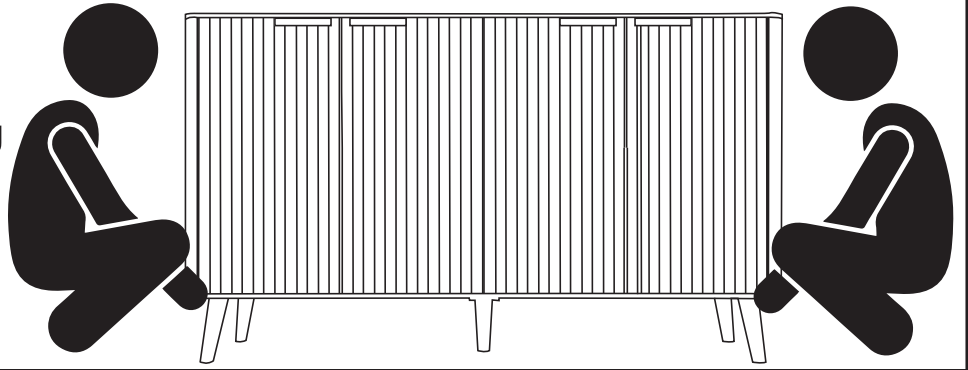
1. To initiate a return, email with your Order ID. For damaged items, please include a photo to expedite your replacement.
We will provide a **PREPAID RETURN LABEL** by E-mail.
2. **Please Note: Returns made without a pre-authorized label may be subject to shipping fees at the customer's expense. Seller will not bear the fee of the customer's own purchase of the return label.**
3. If the product is damaged by the customer, we can refuse to provide a prepaid return label, and the customer needs to pay for the return shipping.
4. Boxes for return shipping will not be provided by the seller. Items must be returned in their original packaging. If original packaging is unavailable, the customer is responsible for providing suitable shipping cartons.
5. After all returned items arrive at the Return Center, please contact the After-sales team and we will fully refund back to the original payment method.

WARRANTY:

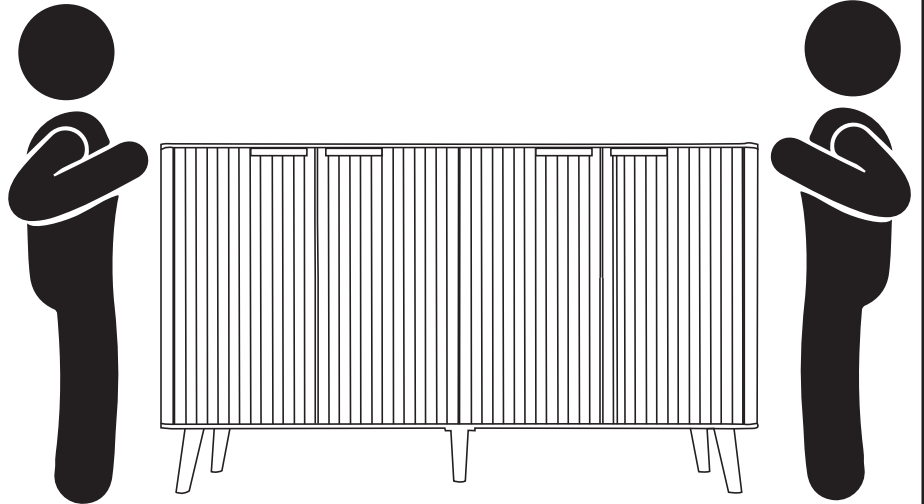
This product is warranted to be free from defects in material and workmanship for a period of 6 months from the date of original purchase. This warranty does not cover damage resulting from misuse, abuse, neglect, alteration, normal wear and tear, or accidental damage.



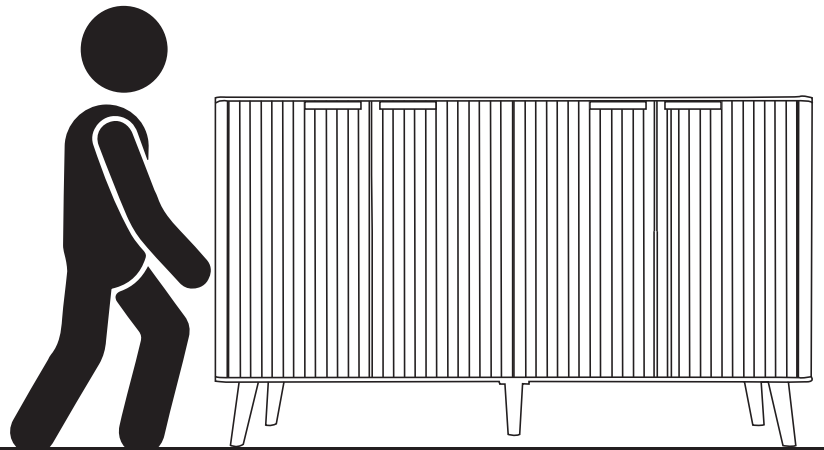
Please raise up the cabinet by holding the bottom when you move it



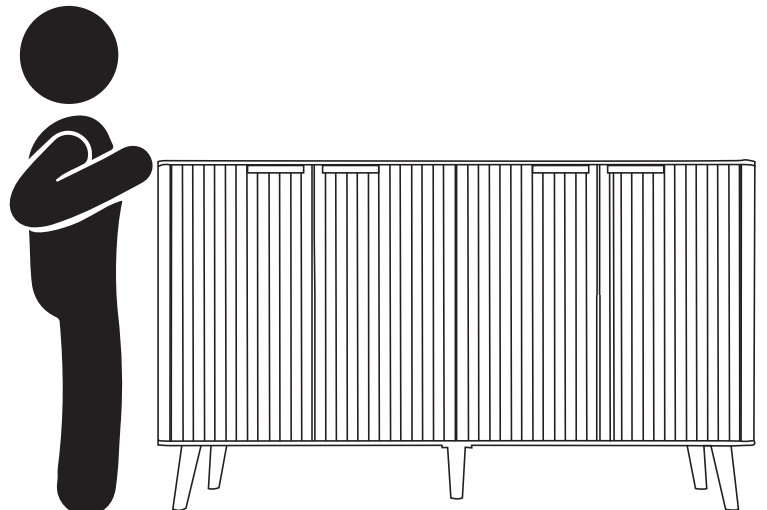
DON'T try to raise up the cabinet by holding the Top Plank



DON'T try to move the cabinet by holding the Side Plank

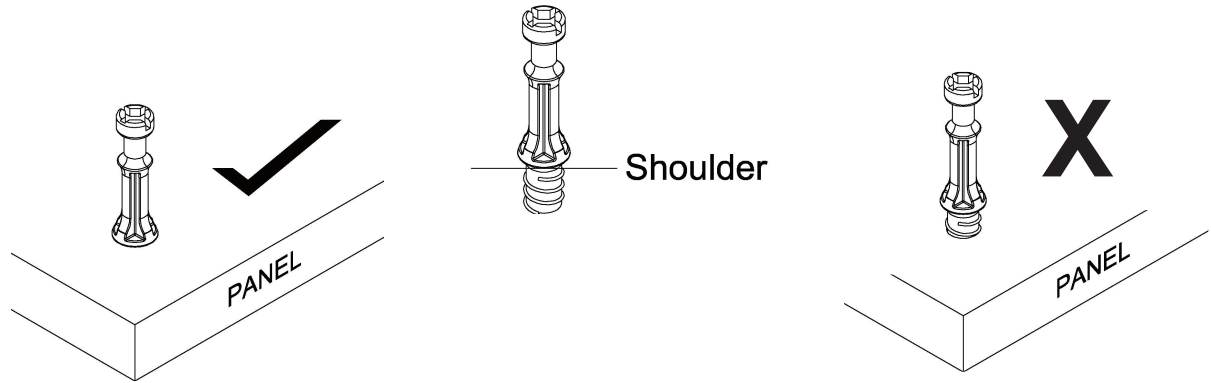


DON'T try to move the cabinet by holding the Top Plank



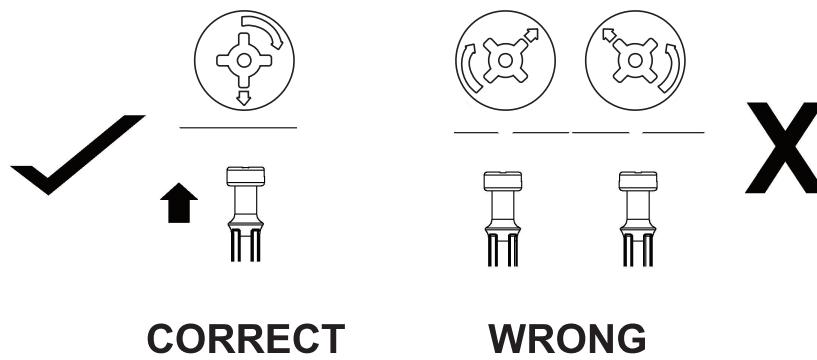
Tips before you start:

CAM BOLTS



Tighten Cam Bolts until shoulder is flush with panel. Do not overtighten or undertighten.

CAMLOCK

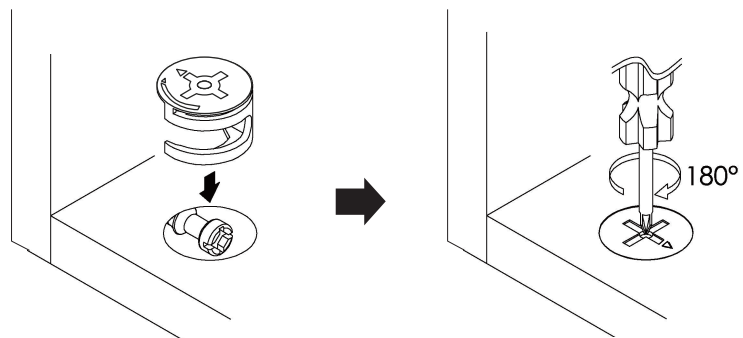


When fitting cam lock, ensure starting position is correct before you insert connecting Cam Bolts.

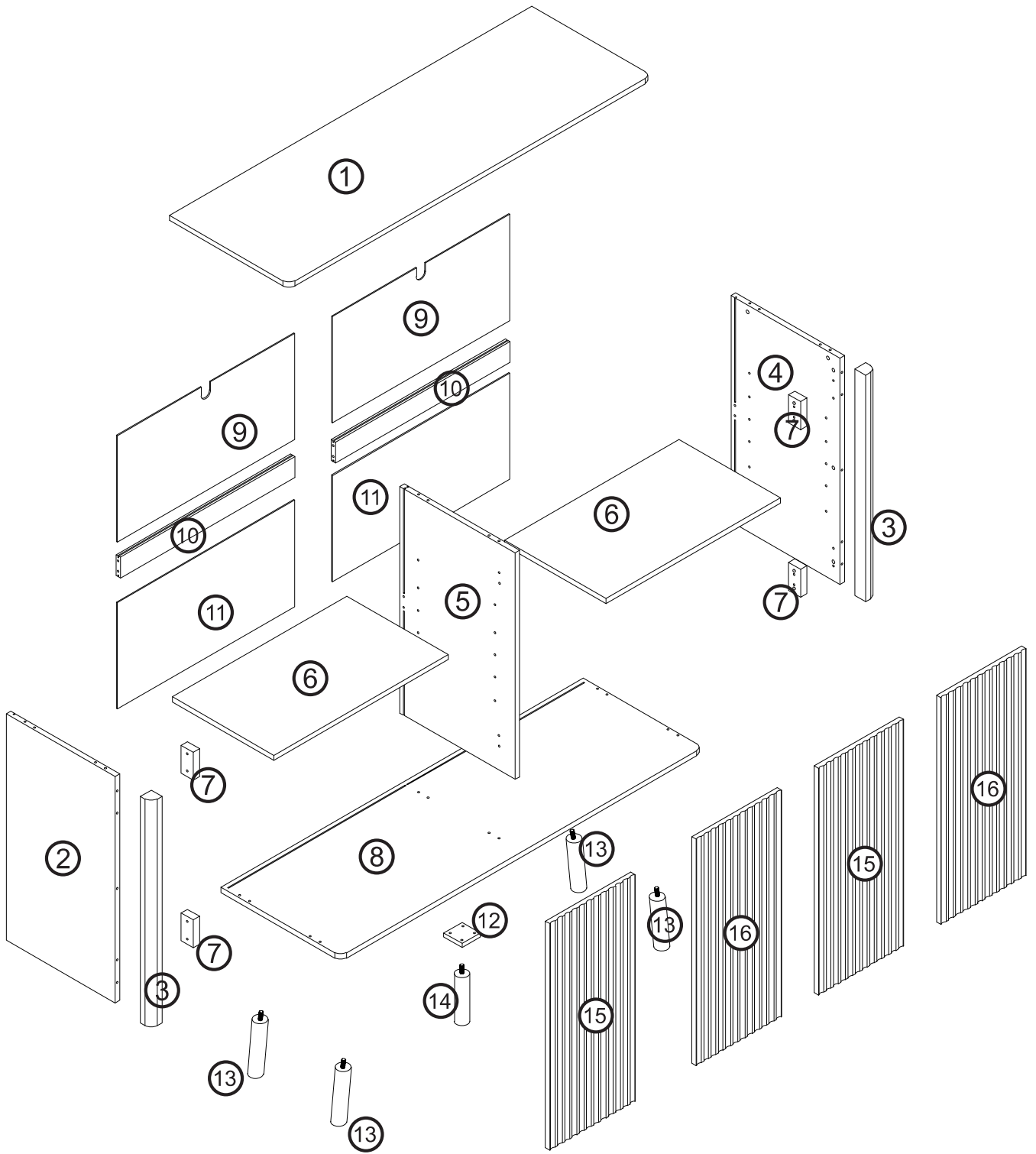
LOCKING-IN









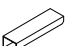
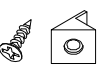

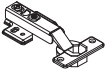
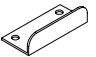

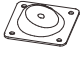


Cam Bolts head should be in the centre of the cam lock when the two panels are joined.

Cam lock should be inserted before Cam Bolts.

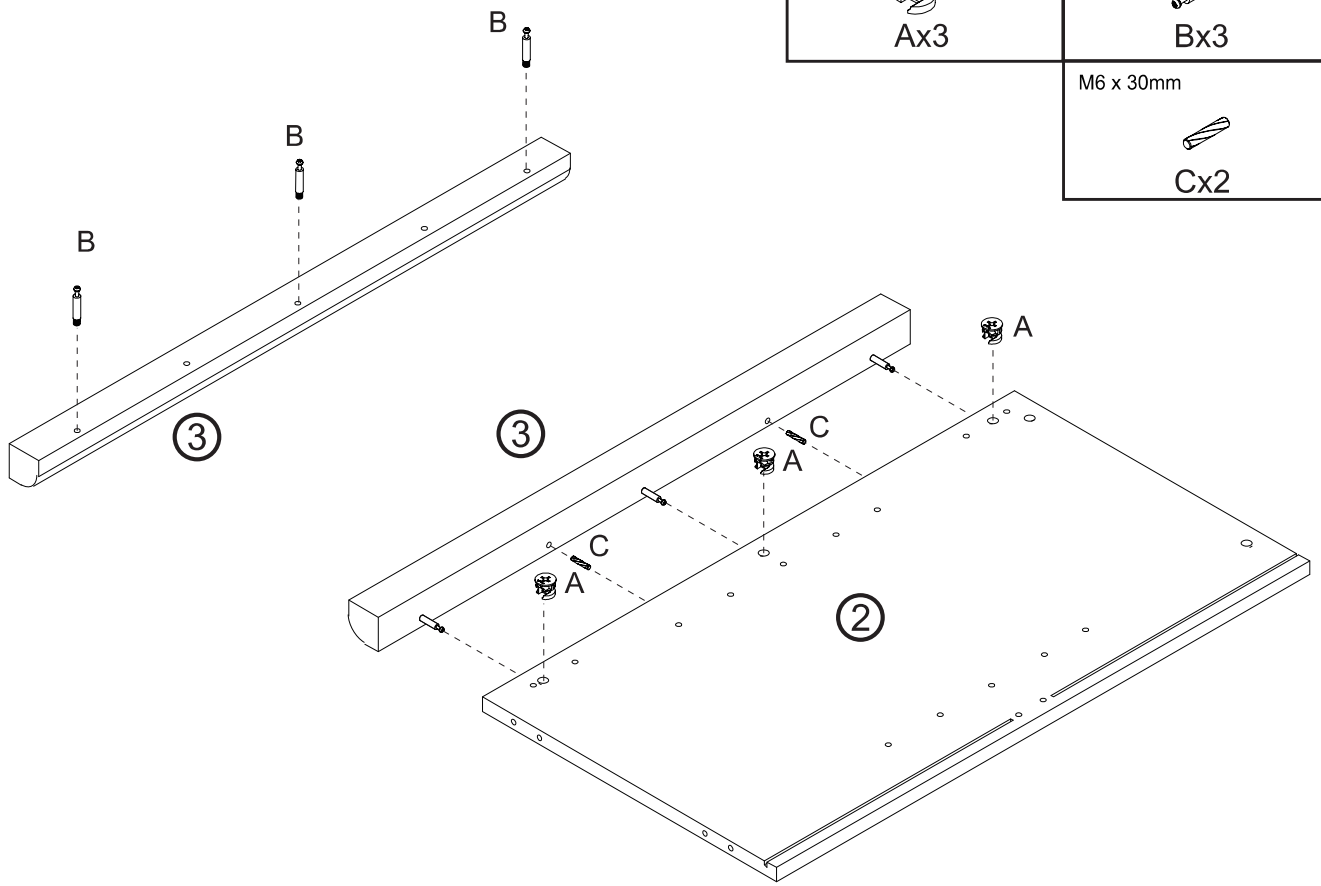


Turn camlock clockwise to tighten.

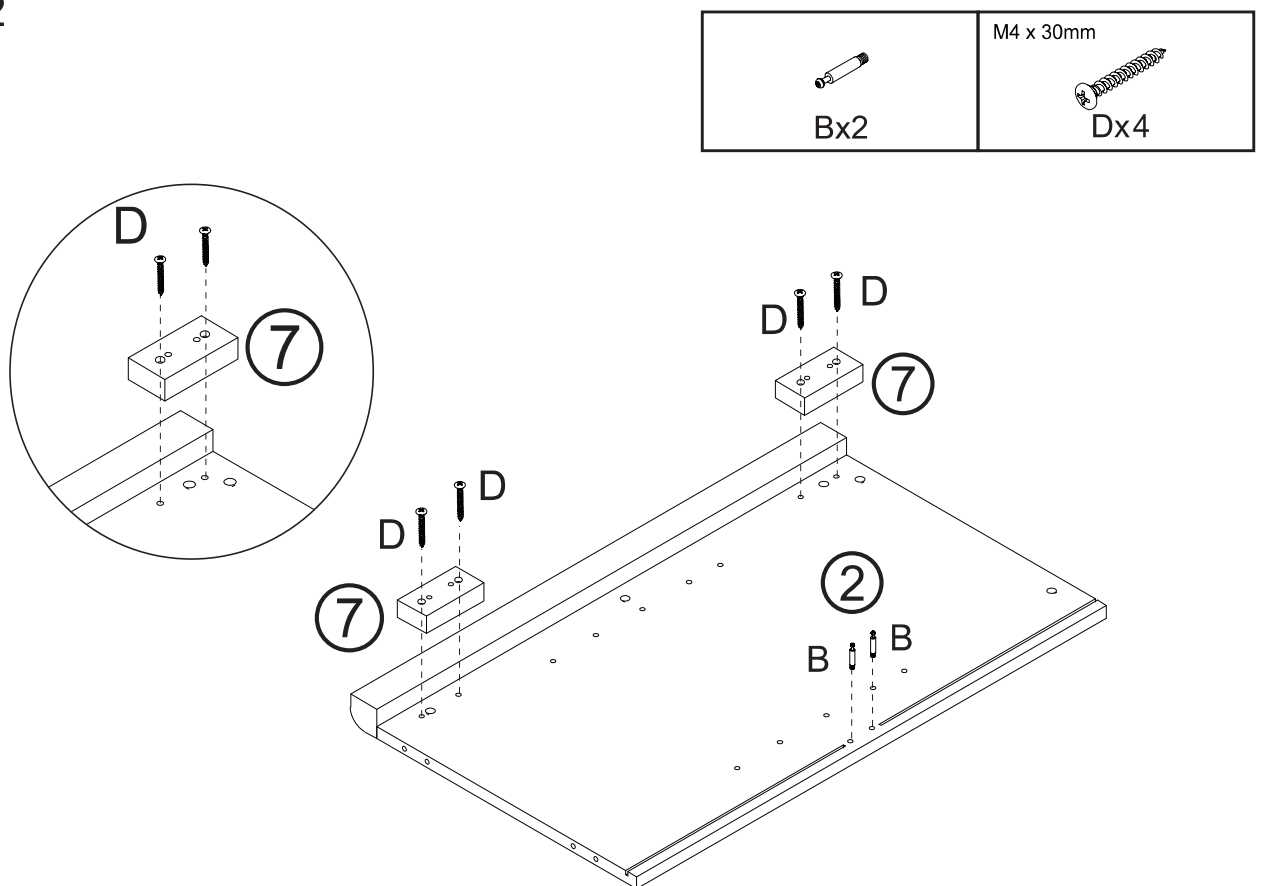


 Ax20+2	 Bx20+2	M6 x 30mm  Cx16+2	M4 x 30mm  Dx8+1	M3.5 x 12mm  Ex12+2	M4 x 12mm  Fx48+2
M4 x 40mm  Gx6+1	M4 x 25mm  Hx4+1	 Ix4	 Jx16	 Kx4	 Lx4
 Mx4	M4 x 14mm  Nx16+2	 Ox4	 Px8	 Qx2	

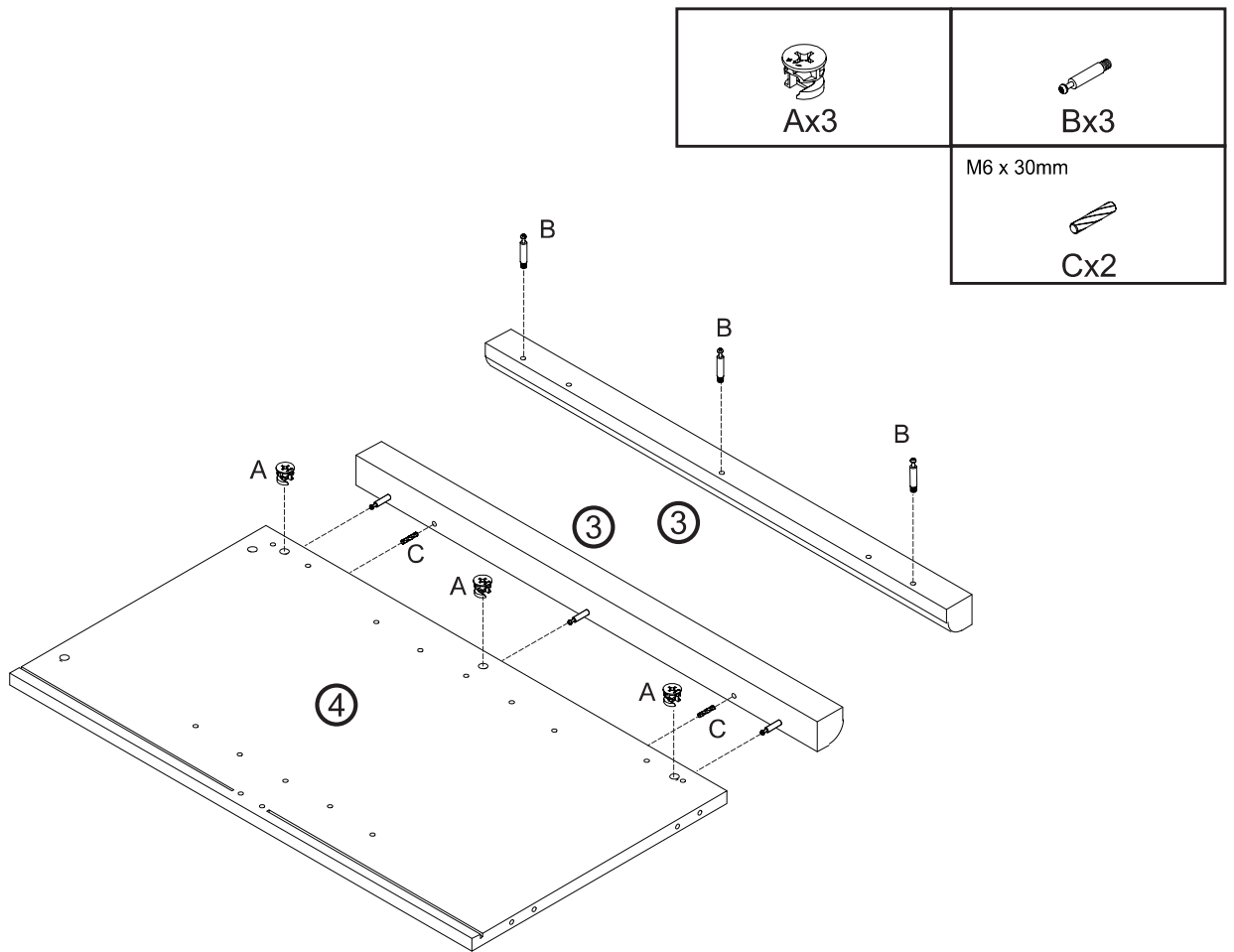
Step 1



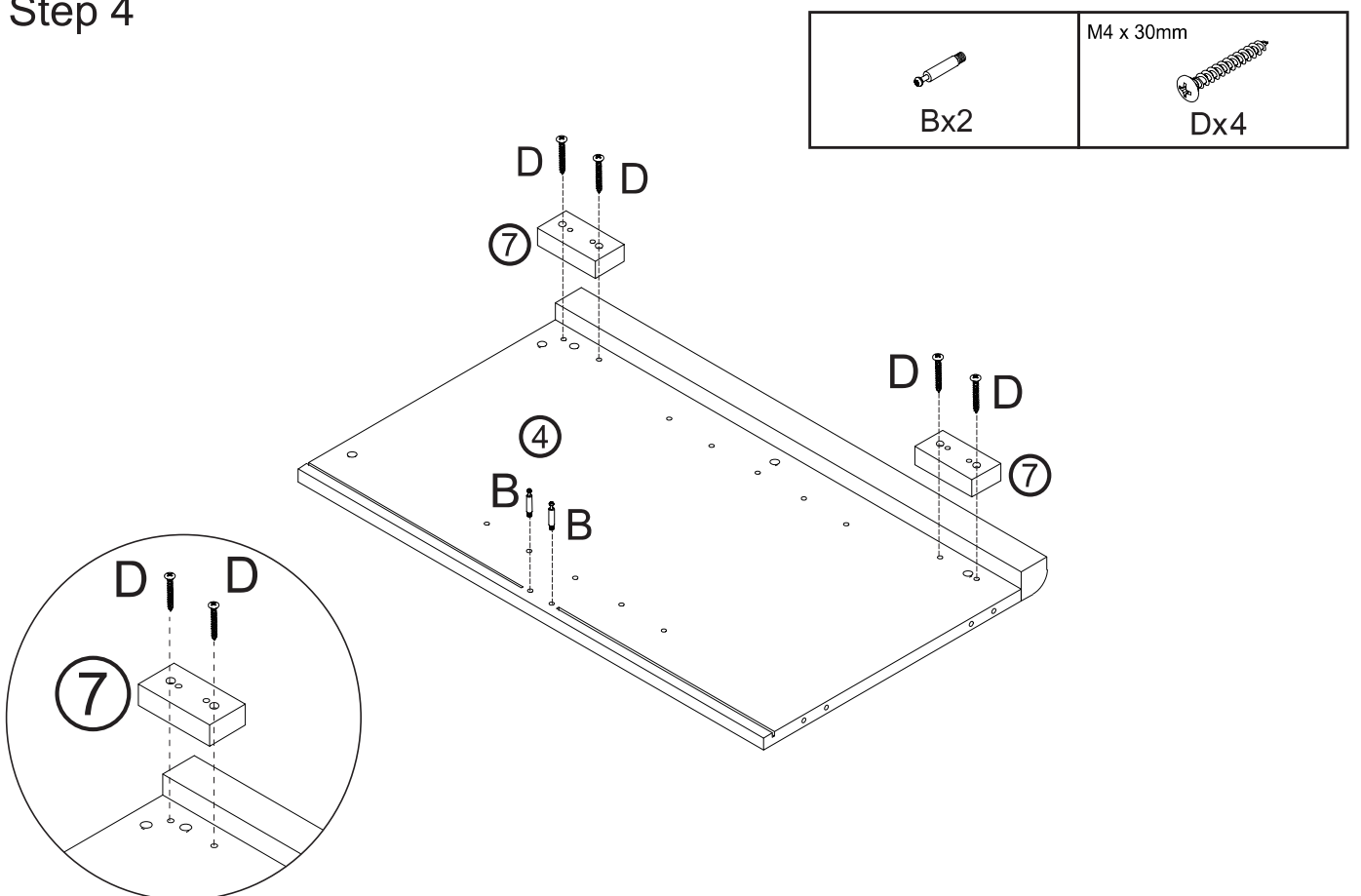
Step 2



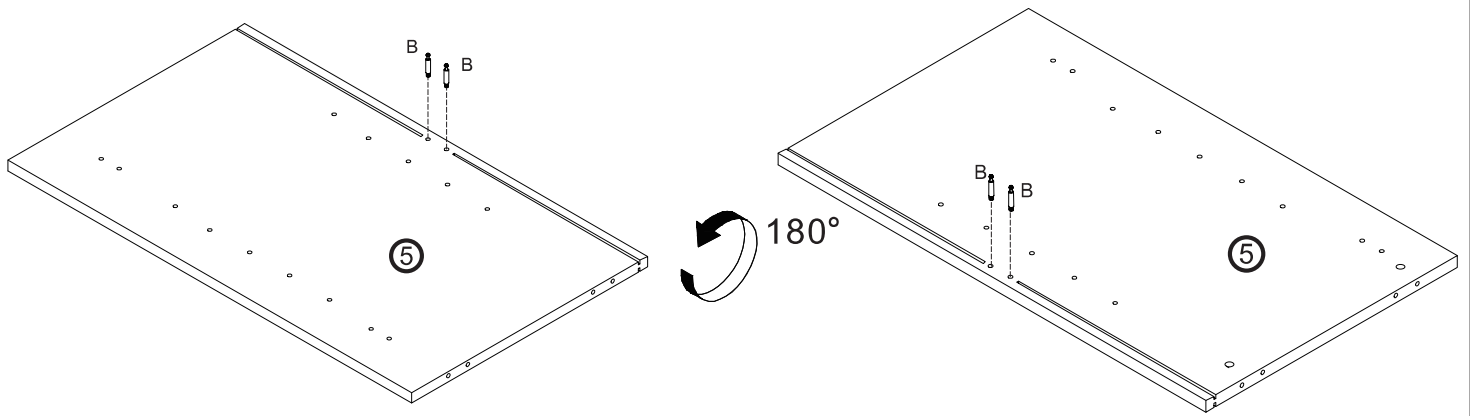
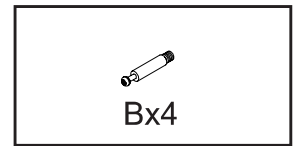
Step 3



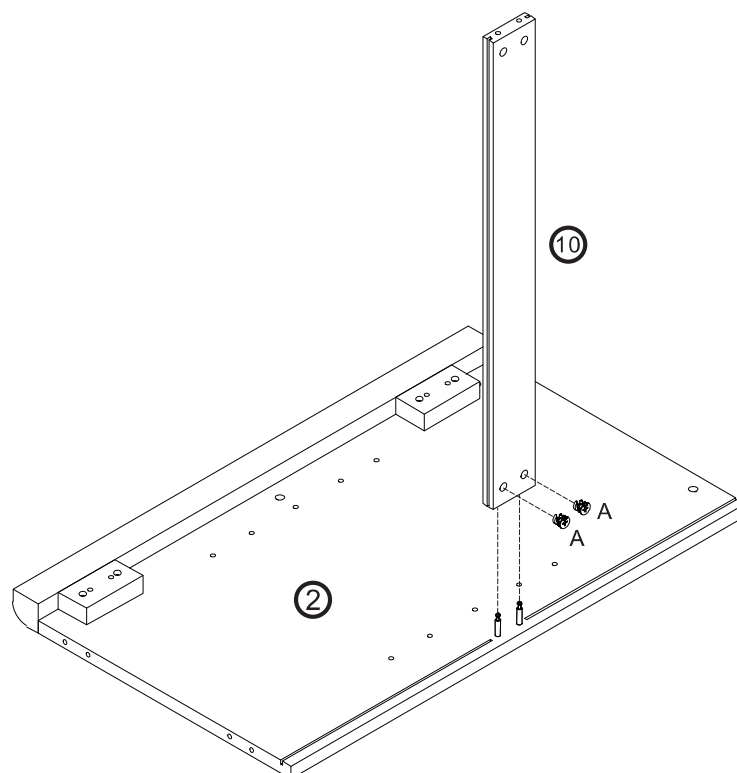
Step 4



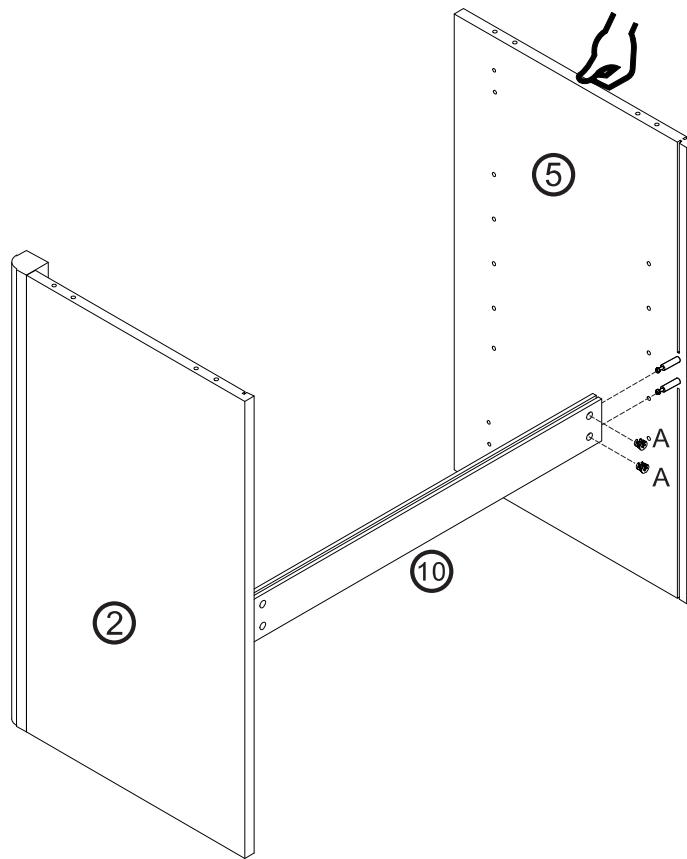
Step 5



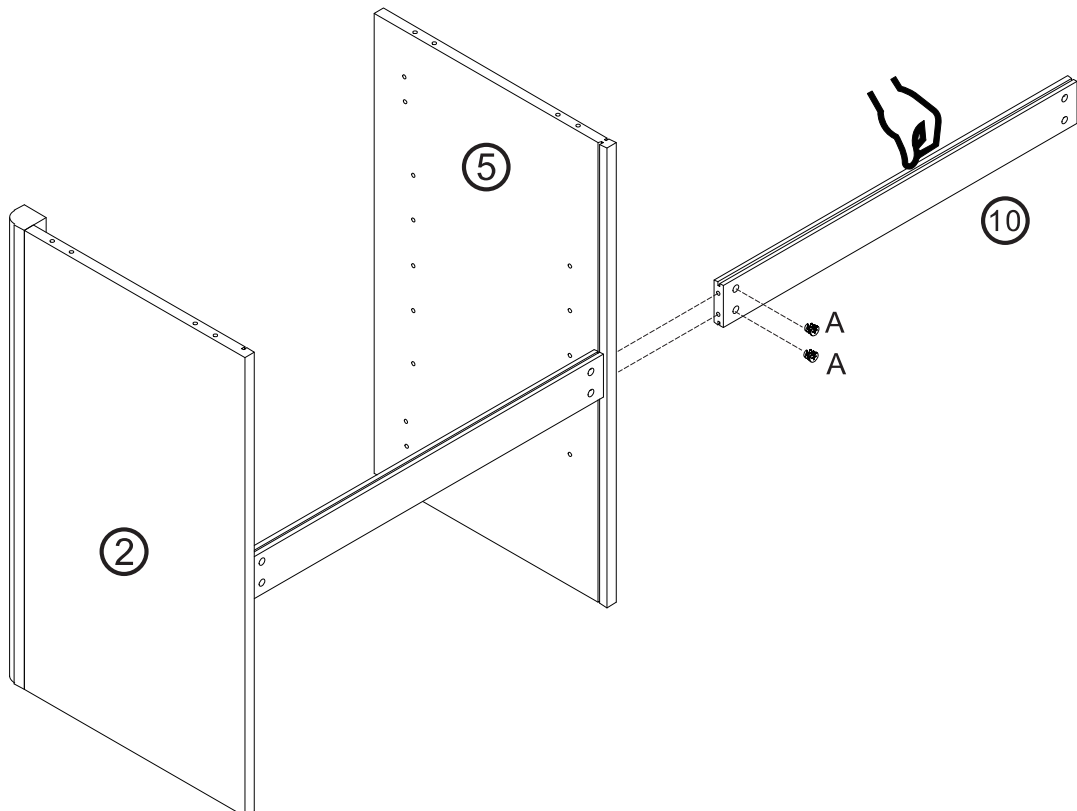
Step 6



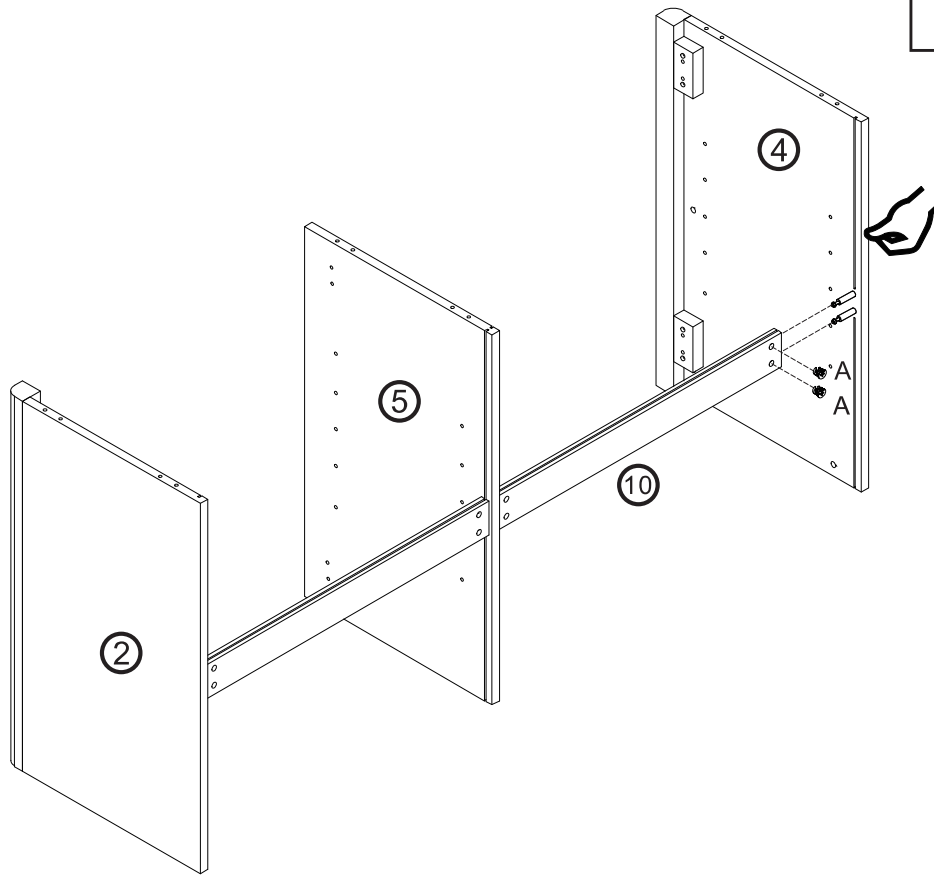
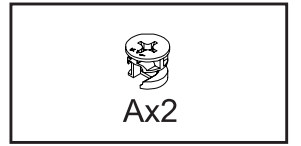
Step 7



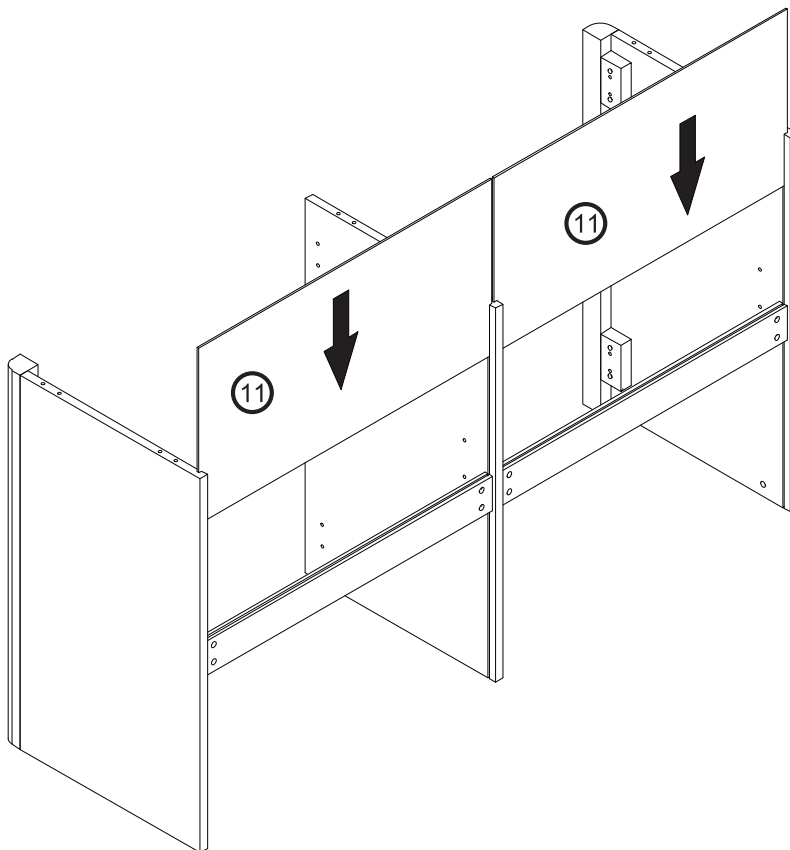
Step 8



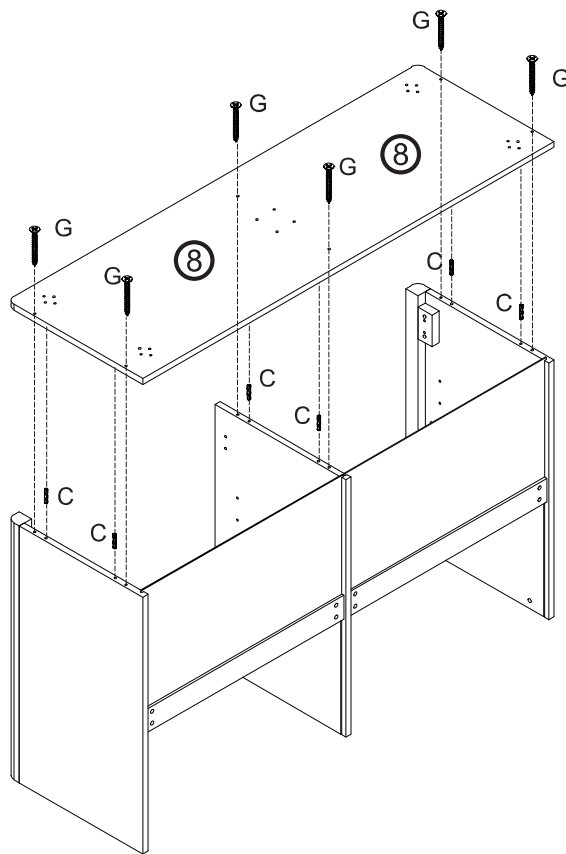
Step 9



Step 10



Step 11



M6 x 30mm



Cx6

M4 x 40mm



Gx6

Step 12

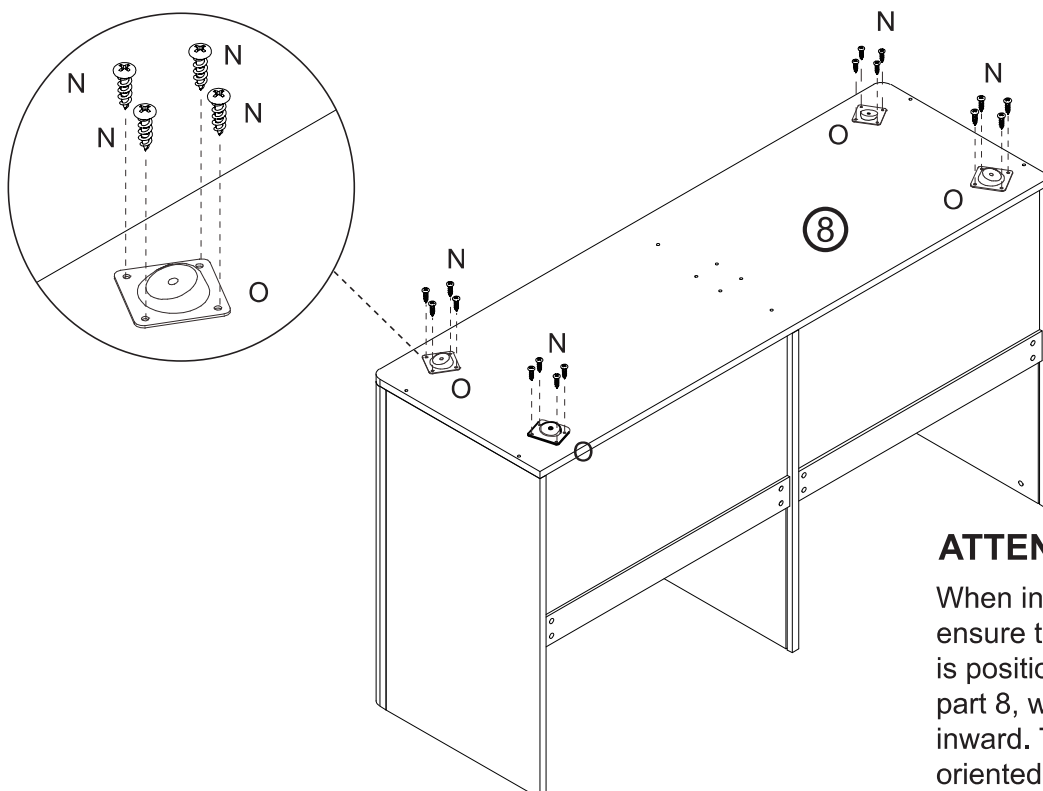
M4 x 14mm



Nx16



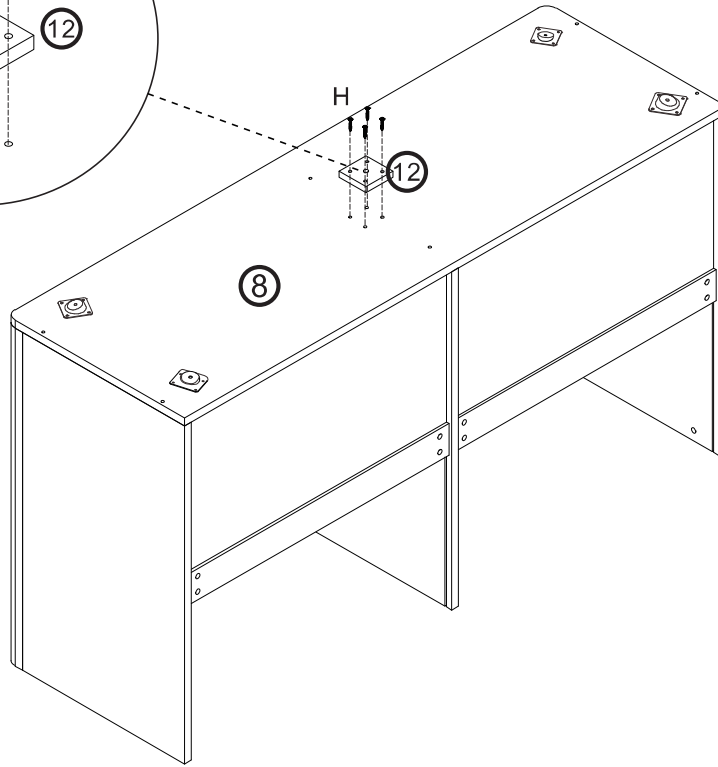
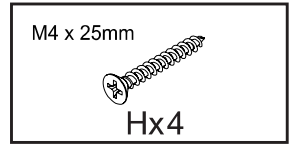
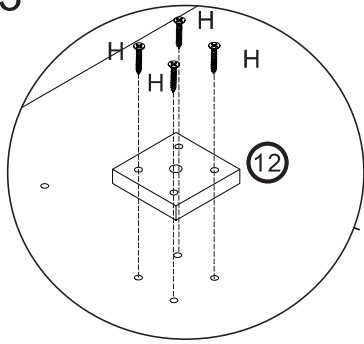
Ox4



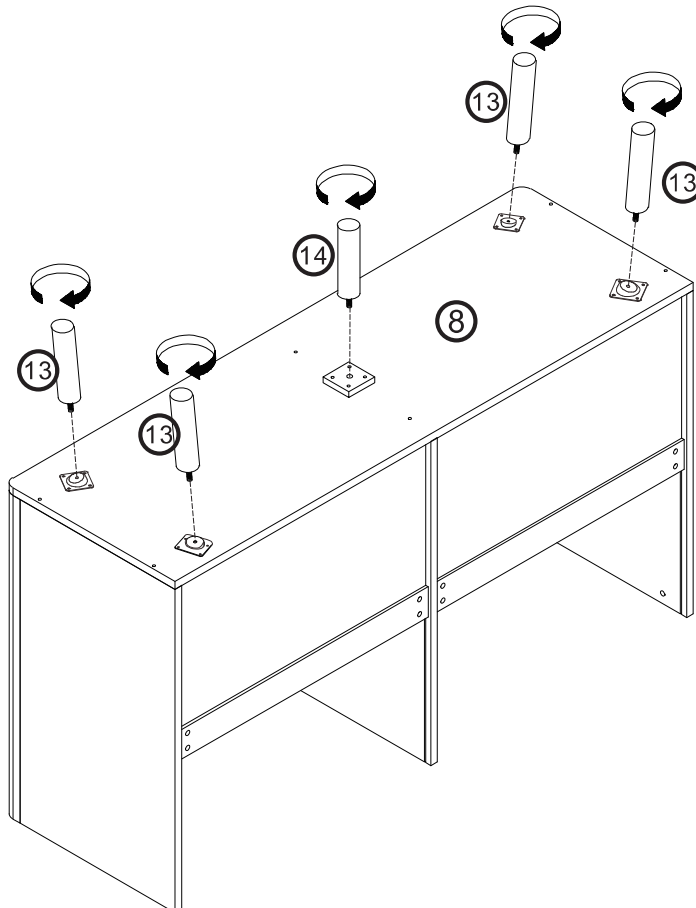
ATTENTION:

When installing part O onto part 8, ensure that the lower side of part O is positioned toward the corner of part 8, while the higher side faces inward. This confirms that part O is oriented correctly.

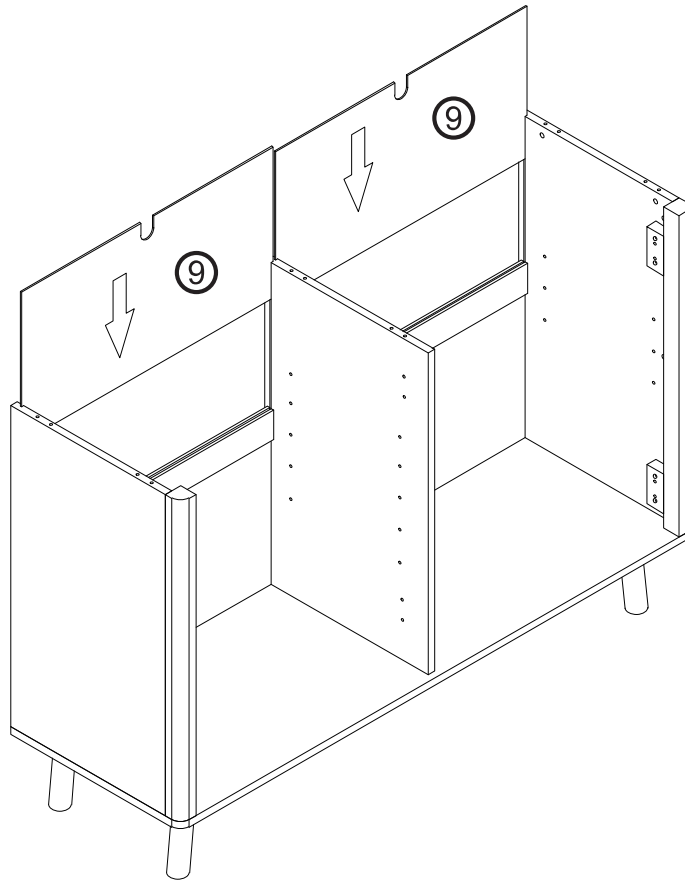
Step 13






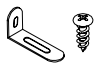
Step 14

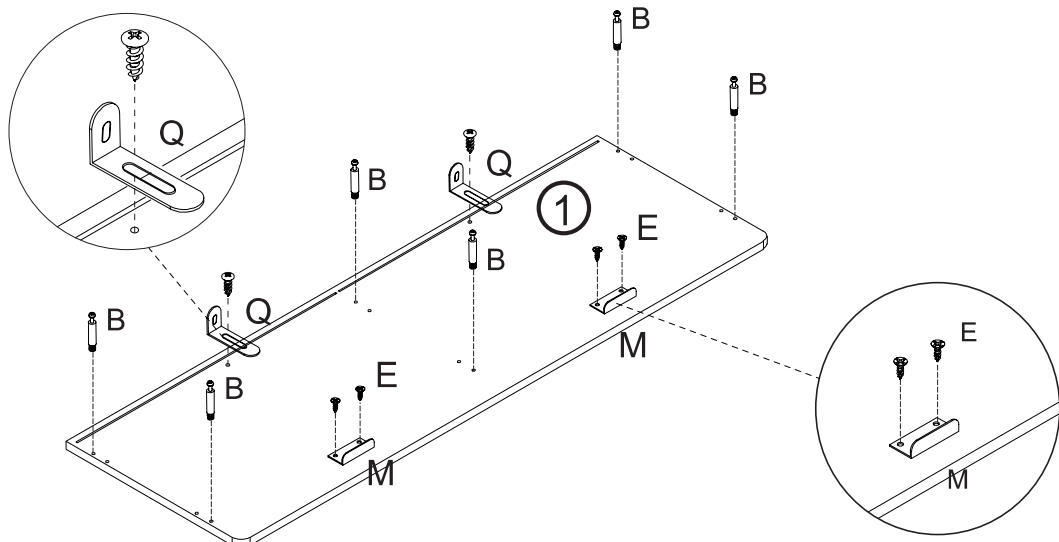


Step 15

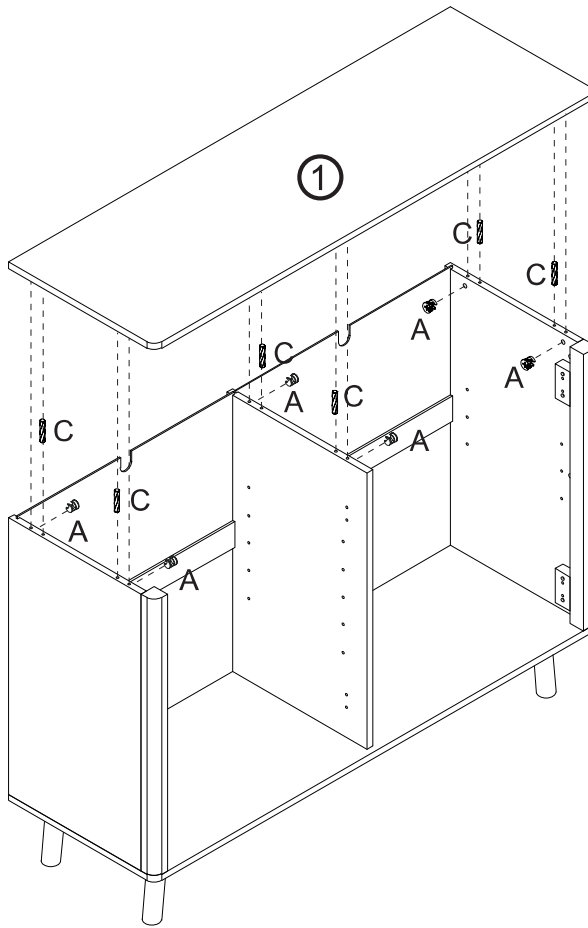




Step 16

 Bx6	M3.5 x 12mm  Ex4
 Mx2	 Qx2

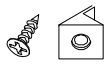


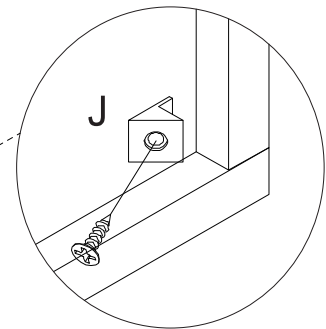
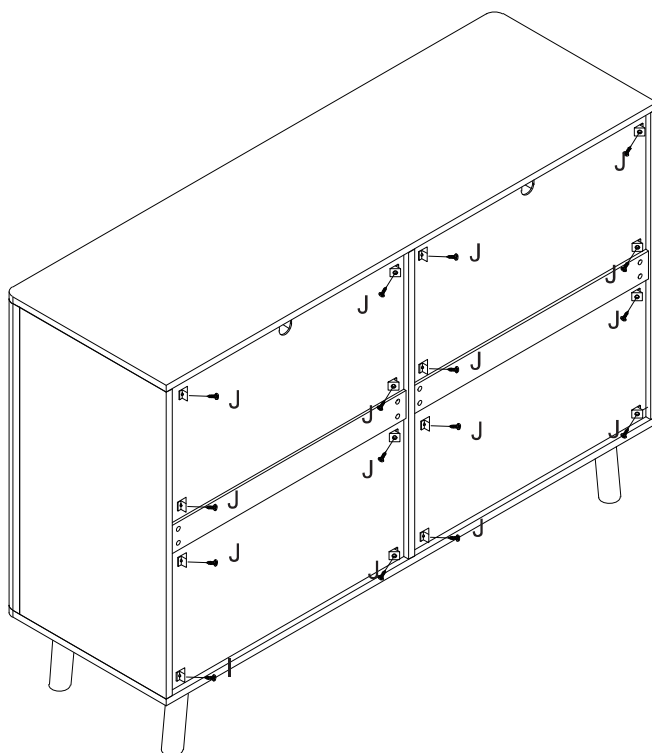
Step 17



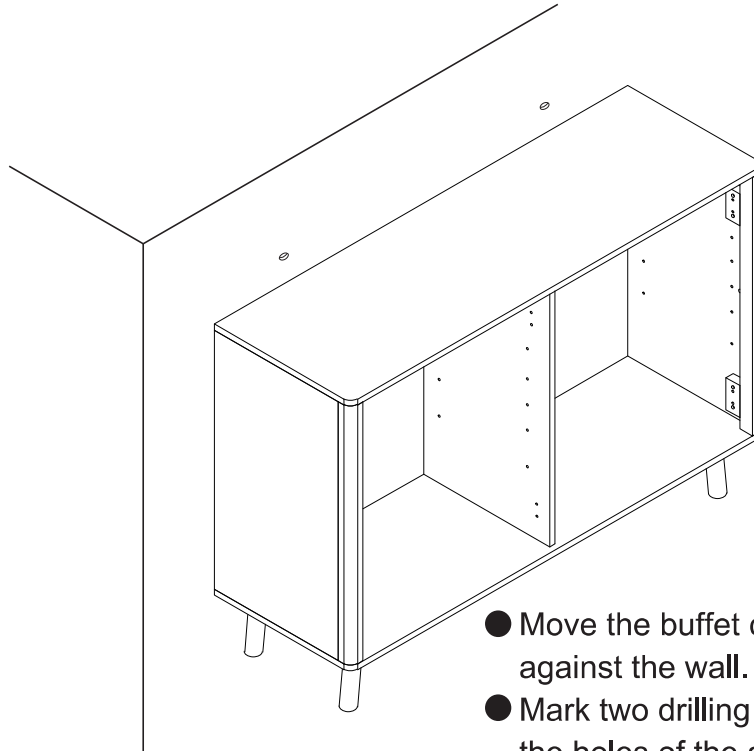
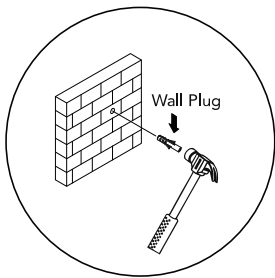
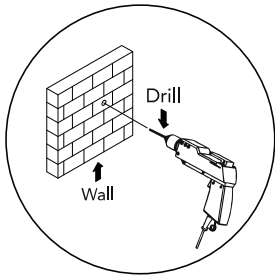
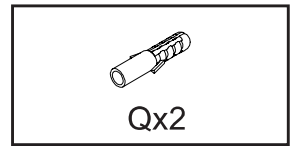
 Ax6	M6 x 30mm  Cx6
--	---

Step 18

 Jx16

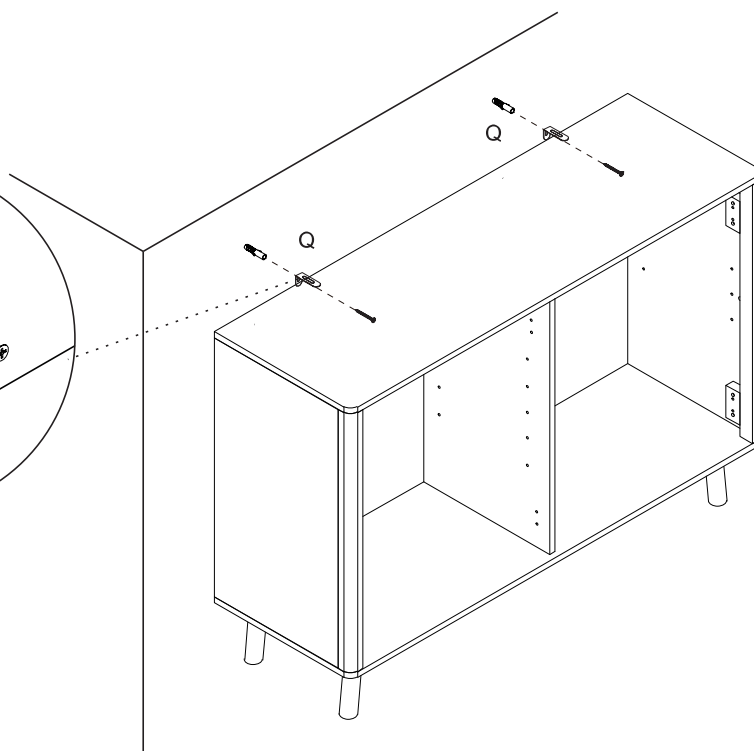
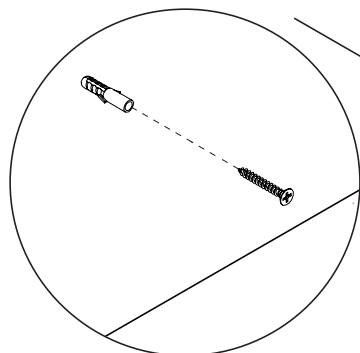
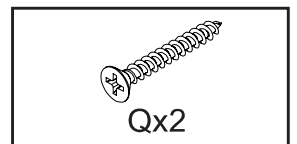


Step 19

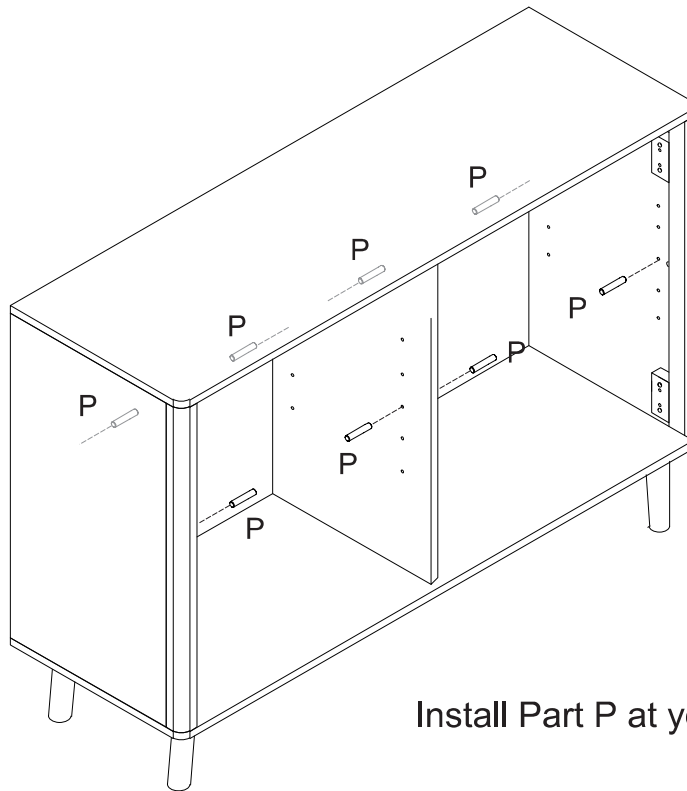
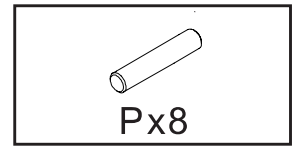


- Move the buffet cabinet to its final position against the wall.
- Mark two drilling points on the wall through the holes of the anti-tip bracket.
- Move the buffet cabinet away and drill two holes at the marked points.
- Insert the wall plugs into the holes.

Step 20

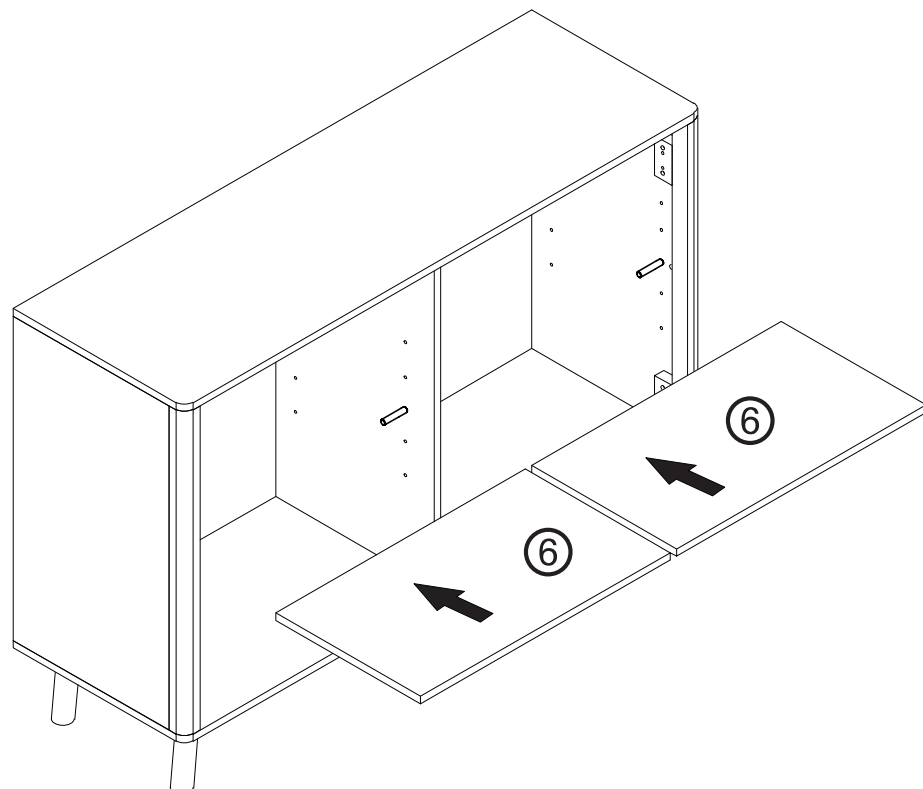


Step 21

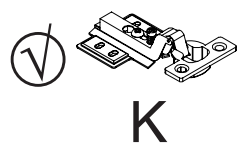



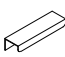


Install Part P at your desired shelf height.

Step 22

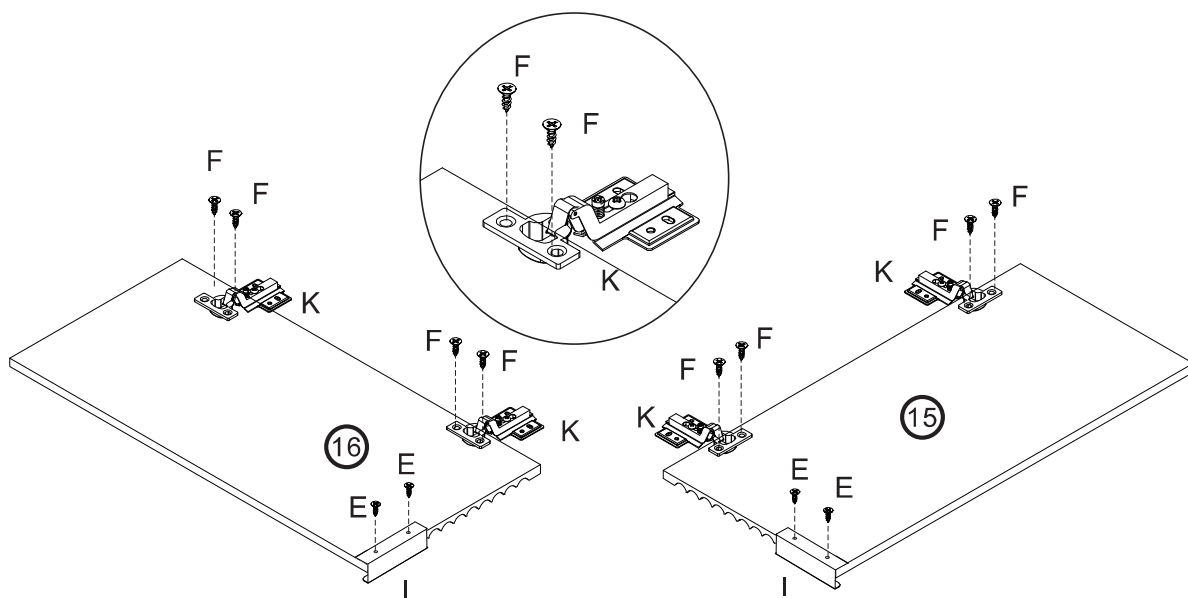


Step 23




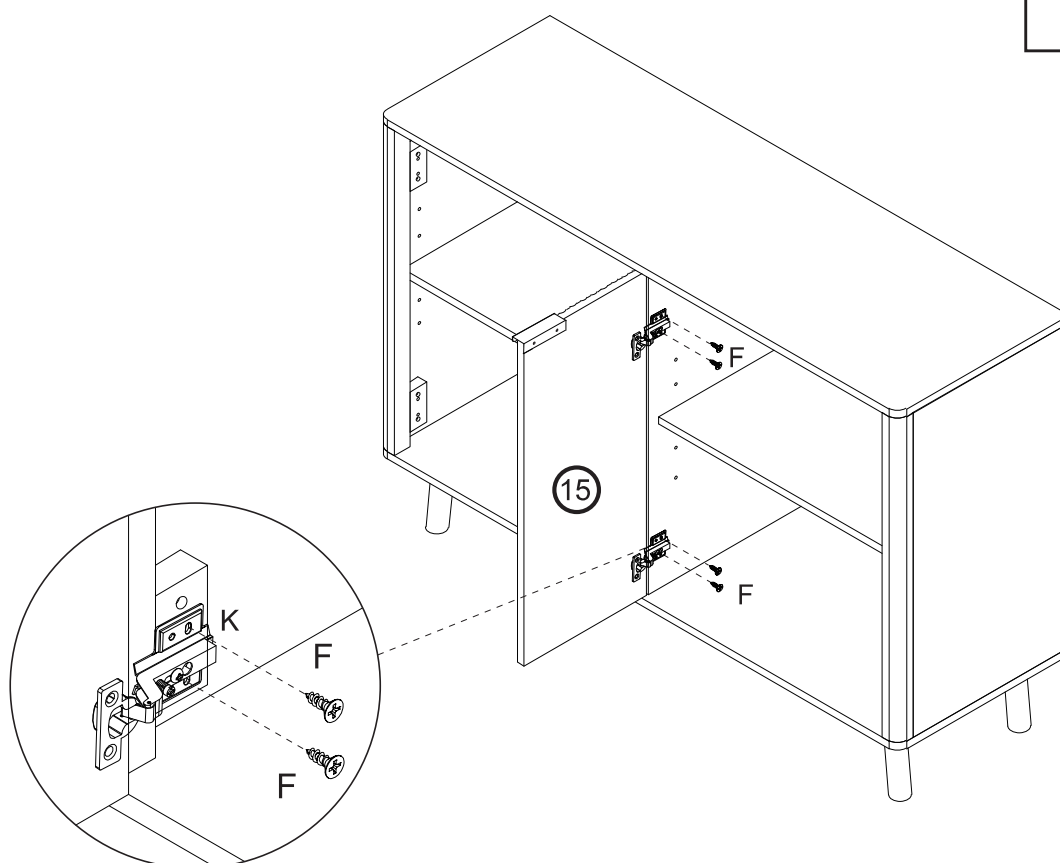
M3.5 x 12mm  Ex4	 Ix2
M4 x 12mm  Fx8	 Kx4

Use the correct Hinge K for this step.



Step 24

M4 x 12mm  Fx4

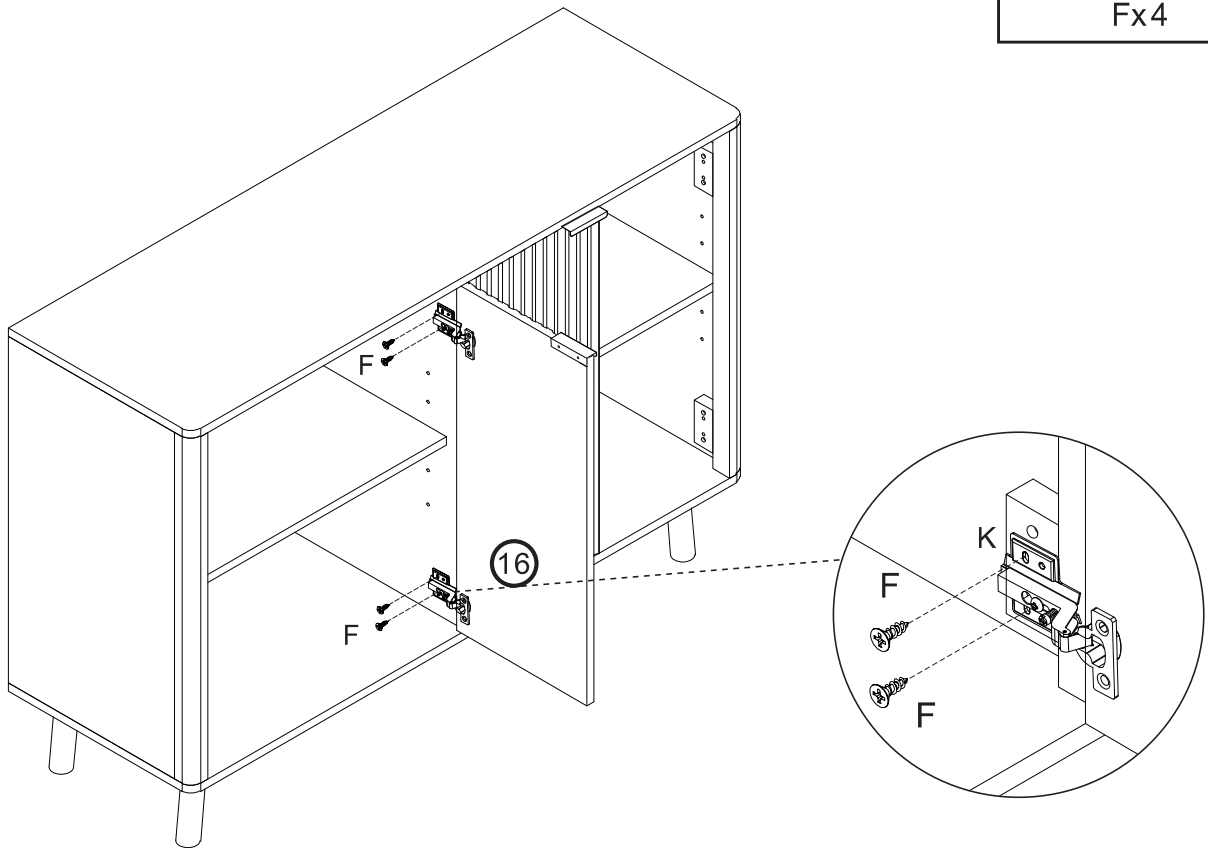


Step 25

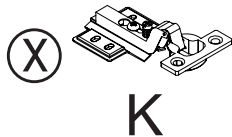
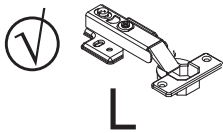
M4 x 12mm



Fx4



Step 26



M3.5 x 12mm



Ex4



Ix2

M4 x 12mm

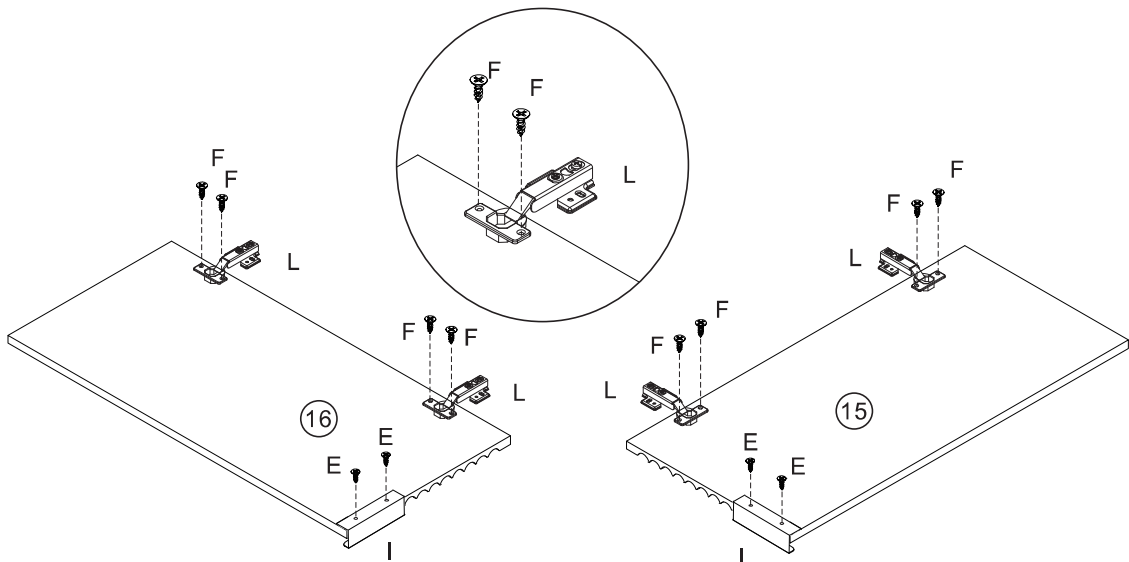


Fx8



Lx4

Use the correct Hinge L for this step.

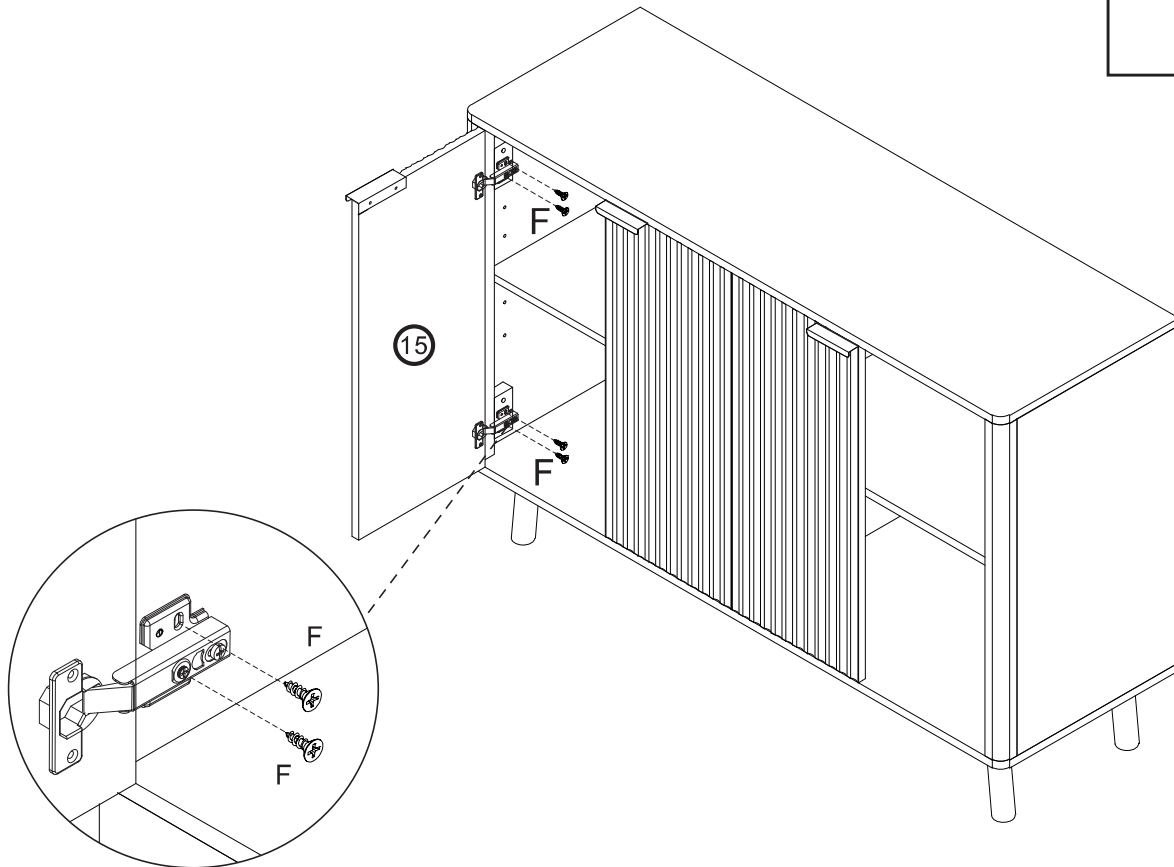


Step 27

M4 x 12mm



Fx4

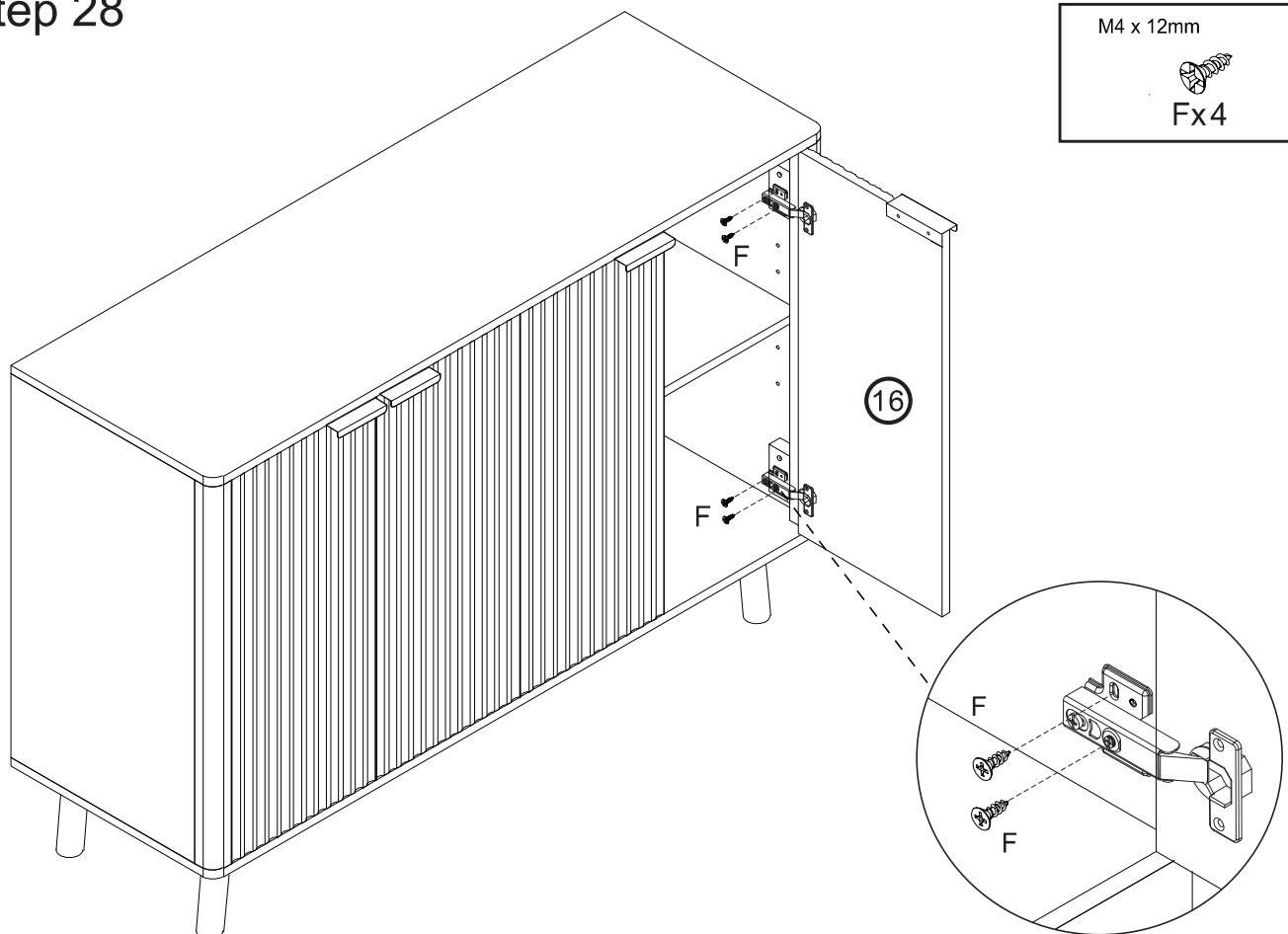


Step 28

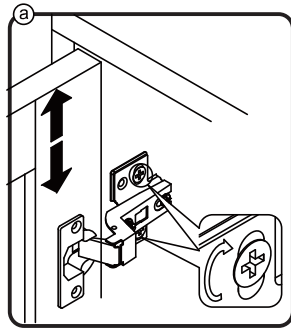
M4 x 12mm



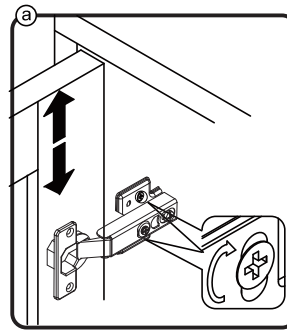
Fx4



Step 29



OR



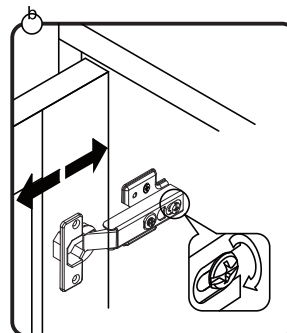
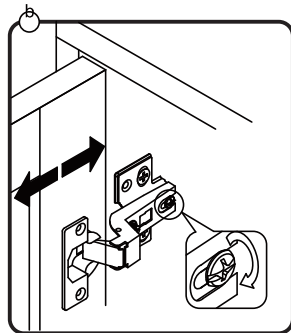
M4 x 12mm



Fx 16

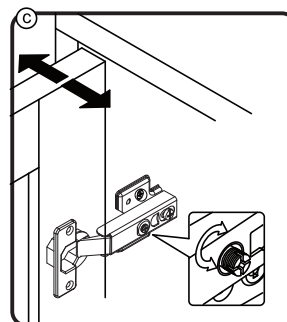
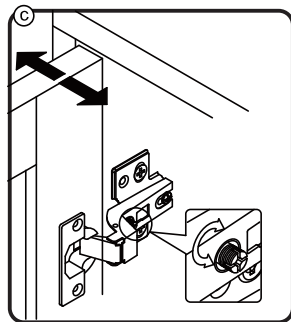
1. Vertical Adjustment

Loosen the screw as shown and move the door up or down to the desired height.



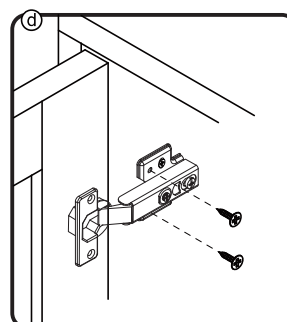
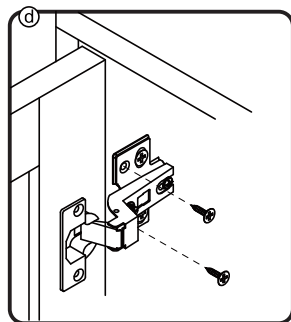
2. Depth Adjustment

Turn the screw clockwise or counterclockwise for proper alignment with the cabinet frame.



3. Lateral Adjustment

Turn the screw as shown to move the door left or right, adjusting the gap between the door and the cabinet frame.



4. Final Fixing

Tighten all screws securely to ensure door stability.