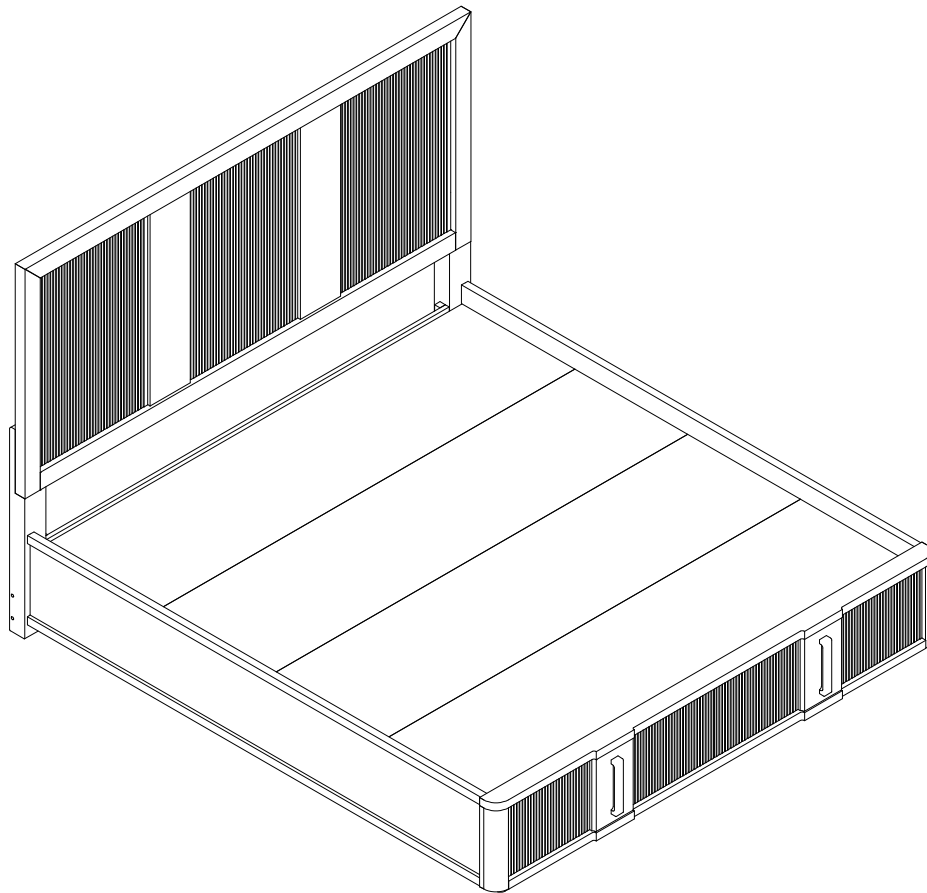


# ASSEMBLY INSTRUCTIONS



*Fine Furniture for every stage of life*

**Eastern King Bed**

# ASSEMBLY INSTRUCTIONS

## ASSEMBLY TIPS:

1. Remove hardware from box and sort by size.
2. Please check to see that all hardware and parts are present prior to start of assembly.
3. Please follow attached instructions in the same sequence as numbered to assure fast & easy assembly.



### WARNING

1. Don't attempt to repair or modify parts that are broken or defective. Please contact the store immediately.
2. This product is for home use only and not intended for commercial establishments.



ASSEMBLY TIME

20 MINUTES

## PARTS IDENTIFICATION

### B1 (BOX 1)

A HEADBOARD PANEL  1PC

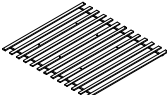
B LEFT HEADBOARD LEG  1PC

C RIGHT HEADBOARD LEG  1PC

D HEADBOARD BOTTOM RAIL  1PC

### B2 (BOX 2)

E STORAGE FOOTBOARD  1PC

F ROLL SLAT (13PCS)  1SET

G CENTER RAIL SUPPORT WITH LEVELER  3PCS

H BED SLAT SUPPORT WITH LEVELER  6PCS

I CONCEAL PANEL  4PCS

### B3 (BOX 3)

J BED RAIL  2PCS

K CENTER RAIL  1PC

HB FROM BOX 1 HEADBOARD COMPLETE  1PC

E FROM BOX 2 FOOTBOARD  1PC

# ASSEMBLY INSTRUCTIONS

## ASSEMBLY TIPS:

- 1.Remove hardware from box and sort by size.
- 2.Please check to see that all hardware and parts are present prior to start of assembly.
- 3.Please follow attached instructions in the same sequence as numbered to assure fast & easy assembly.

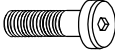





## WARNING

- 1.Don't attempt to repair or modify parts that are broken or defective. Please contact the store immediately.
- 2.This product is for home use only and not intended for commercial establishments.

## HARDWARE IDENTIFICATION

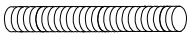
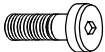




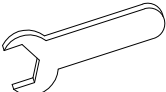

### BOX 1 - HARDWARE PACK

|   |                                     |   |       |   |  |   |       |
|---|-------------------------------------|---|-------|---|--|---|-------|
| 1 | <b>BOLT</b><br>(5/16" x 38mm - RBW) |  | 12PCS | 3 | <b>FLAT WASHER</b><br>(5/16" x 19 x 1.5mm - RBW) |  | 12PCS |
| 2 | <b>LOCK WASHER</b><br>(5/16" - RBW) |  | 12PCS | 4 | <b>ALLEN WRENCH</b><br>(74 x 30 x 4mm - RBW)     |  | 1PC   |

### BOX 2 - HARDWARE PACK

|   |  |   |      |
|---|--|---|------|
| 5 | <b>FLAT HEAD SCREW</b><br>(4 x 32mm - RBW) |  | 6PCS |
|---|--|---|------|

### BOX 3 - HARDWARE PACK

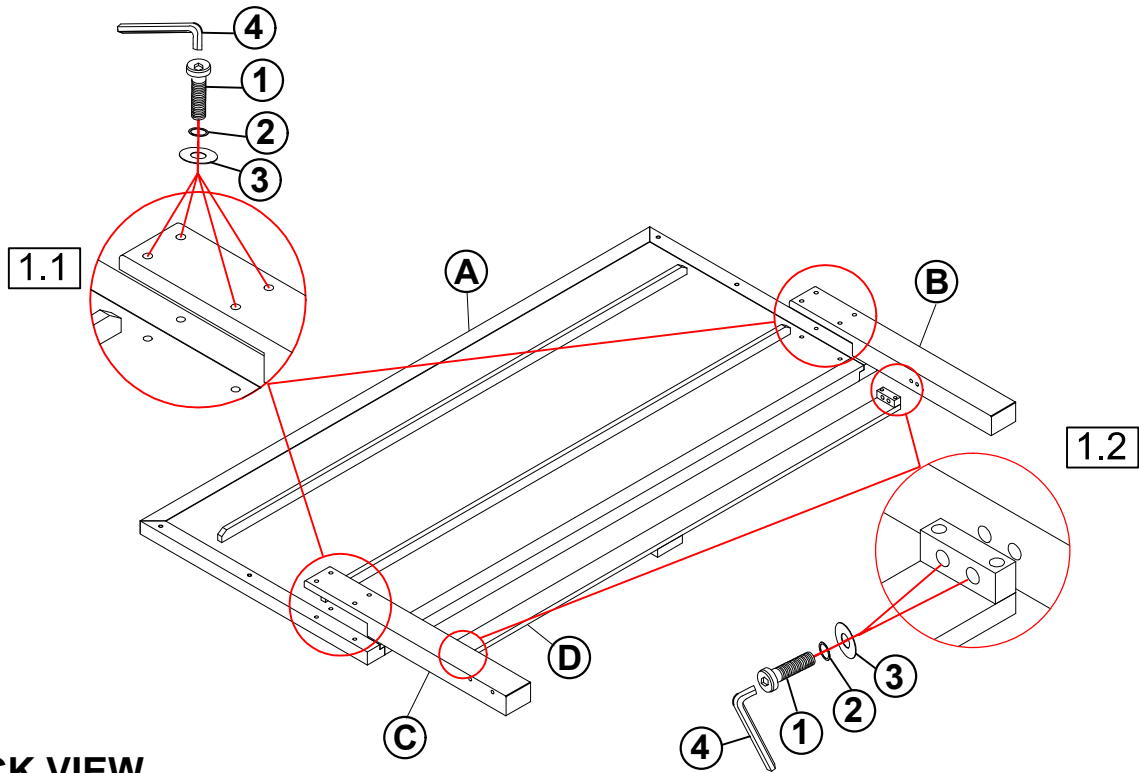
|   |   |   |      |    |   |   |      |
|---|---|---|------|----|---|---|------|
| 6 | <b>THREADED BOLT</b><br>(5/16" x 75mm - RBW)    |  | 8PCS | 10 | <b>BOLT</b><br>(1/4 x 25mm - RBW)               |  | 2PCS |
| 7 | <b>U-SQUARE WASHER</b><br>(25 x 15 x 2mm - RBW) |  | 8PCS | 11 | <b>LOCK WASHER</b><br>(1/4" - RBW)              |  | 2PCS |
| 8 | <b>HEX NUT</b><br>(5/16" x 17mm - RBW)          |  | 8PCS | 12 | <b>FLAT WASHER</b><br>(1/4" x 19 x 1.5mm - RBW) |  | 2PCS |
| 9 | <b>WRENCH</b><br>(13MM - RBW)                   |  | 1PC  | 13 | <b>ALLEN WRENCH</b><br>(74 x 30 x 4mm - RBW)    |  | 1PC  |

## NOTE:

Phillips head screw driver is required in the assembly process; however, manufacturer does not provide this item.

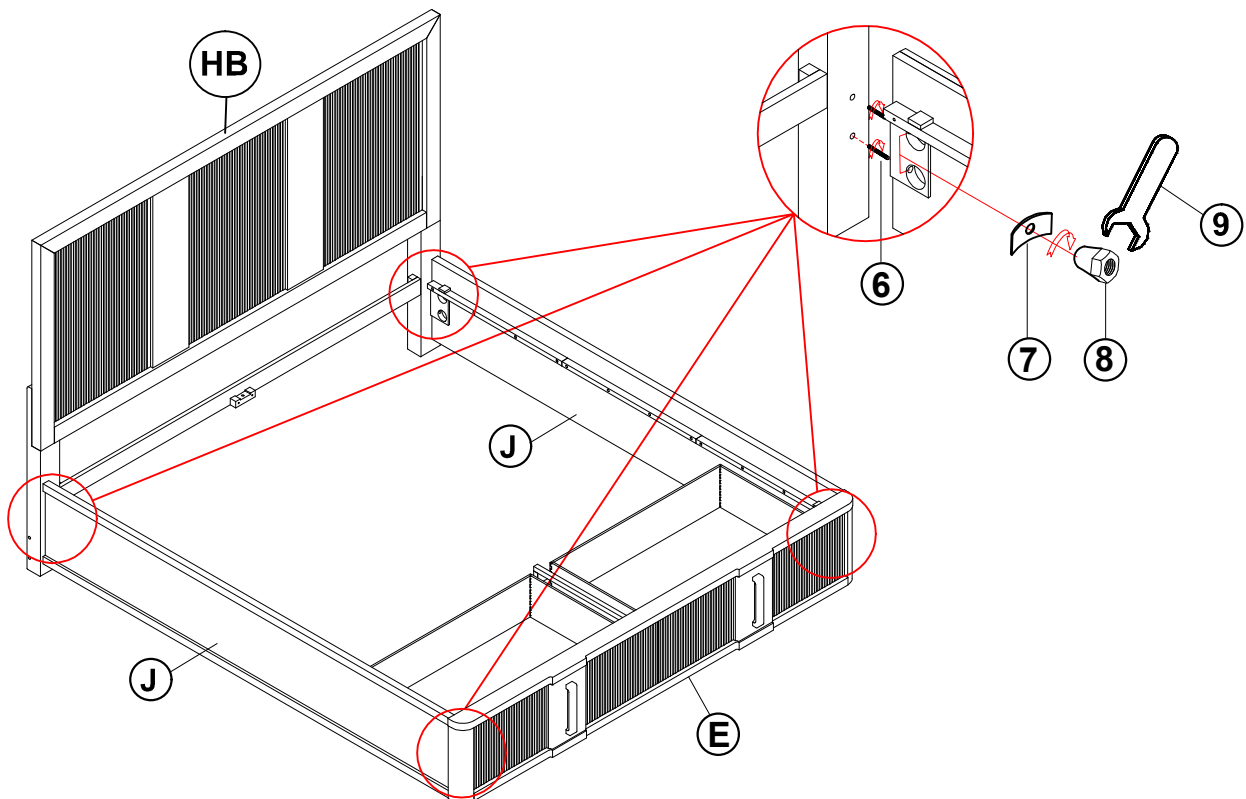
# ASSEMBLY INSTRUCTIONS

## STEP 1



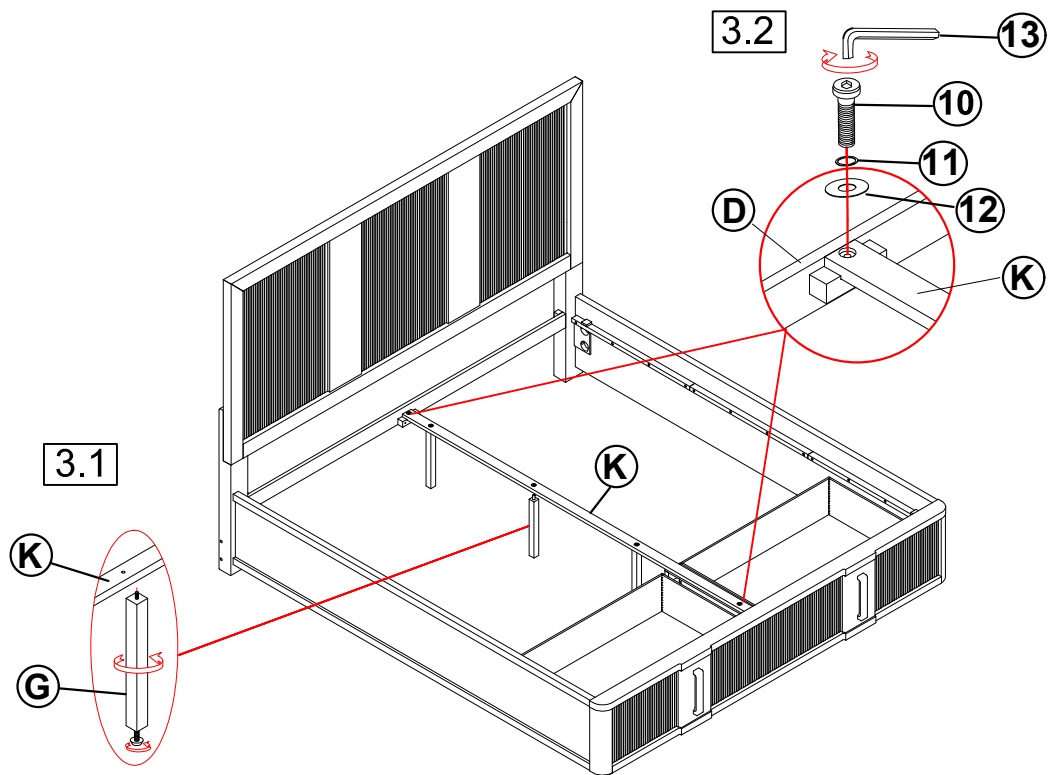
\* BACK VIEW

## STEP 2

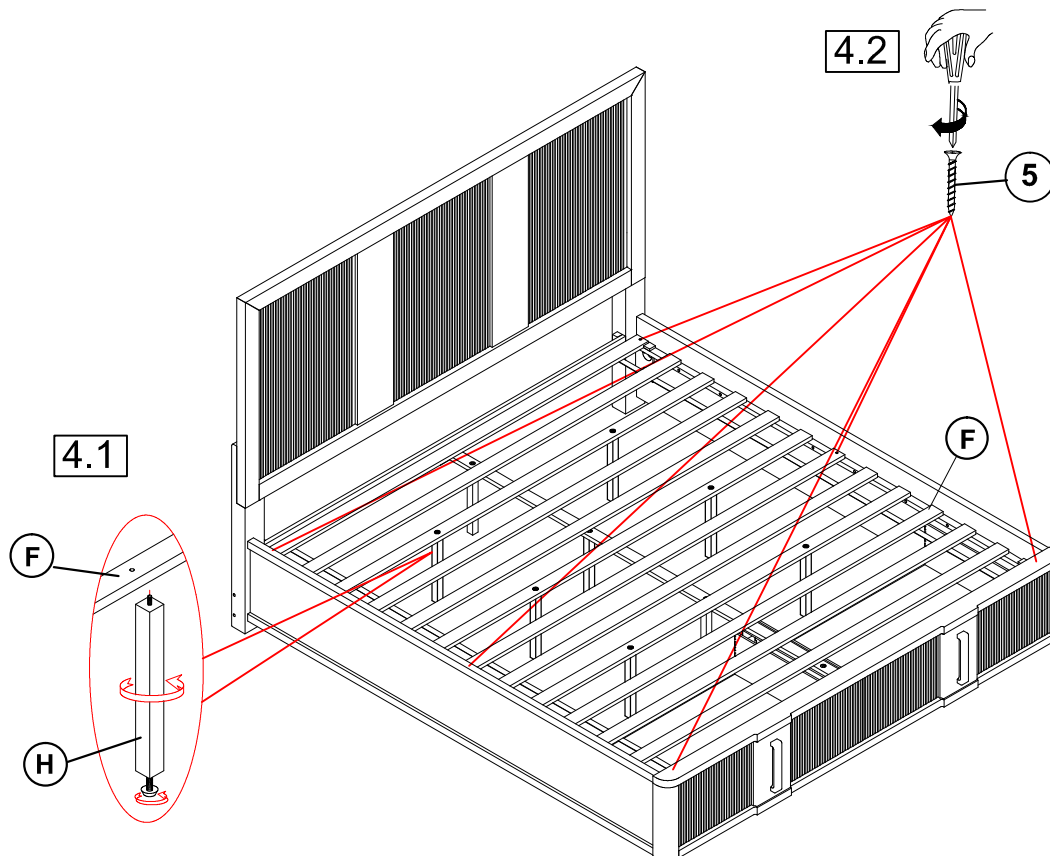


# ASSEMBLY INSTRUCTIONS

## STEP 3

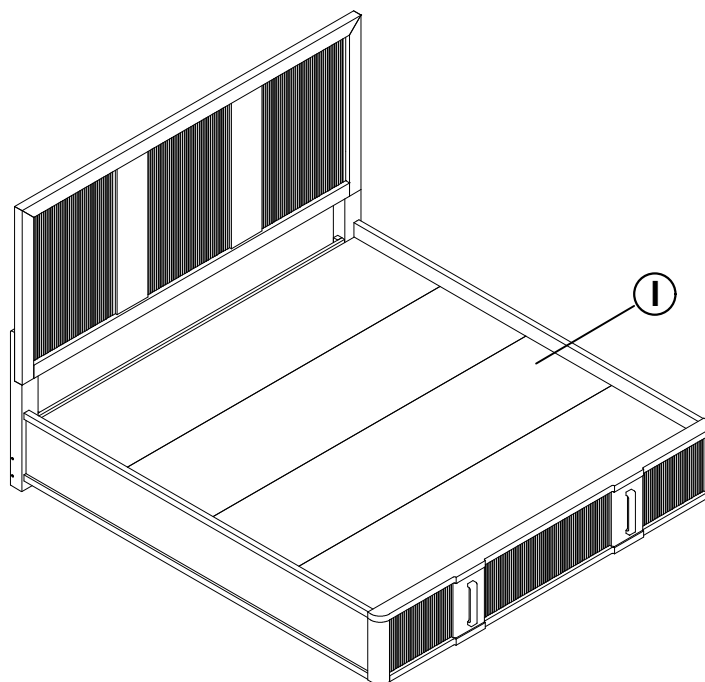


## STEP 4

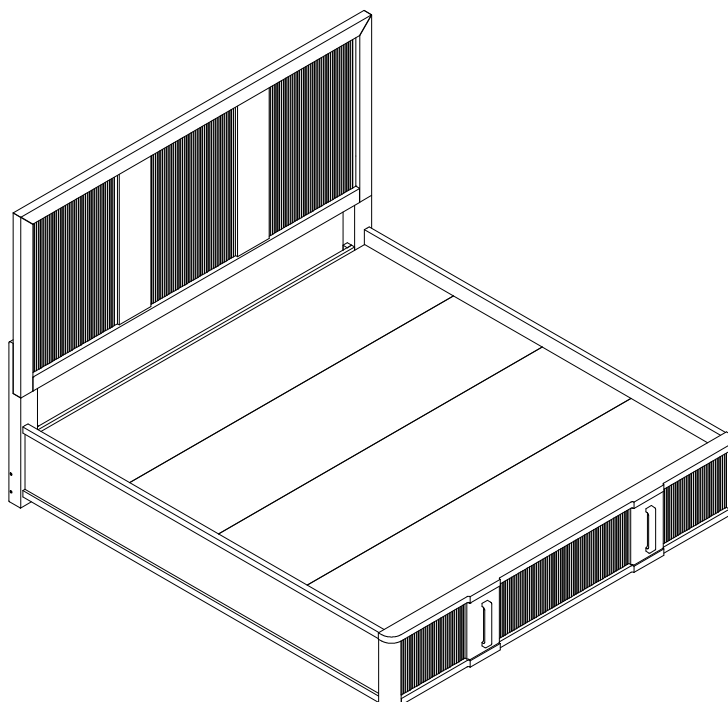


# ASSEMBLY INSTRUCTIONS

## STEP 5

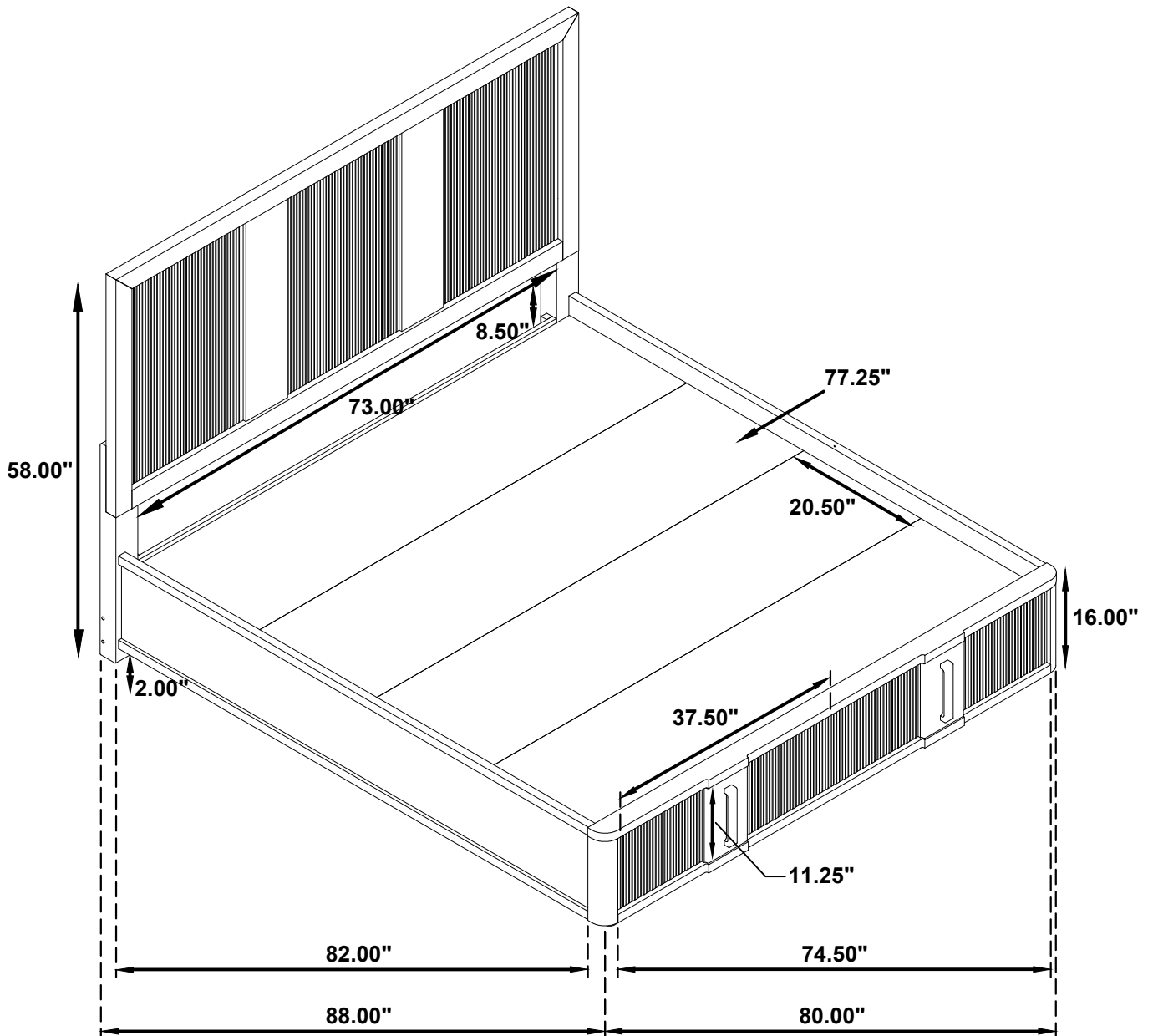


## STEP 6 COMPLETE



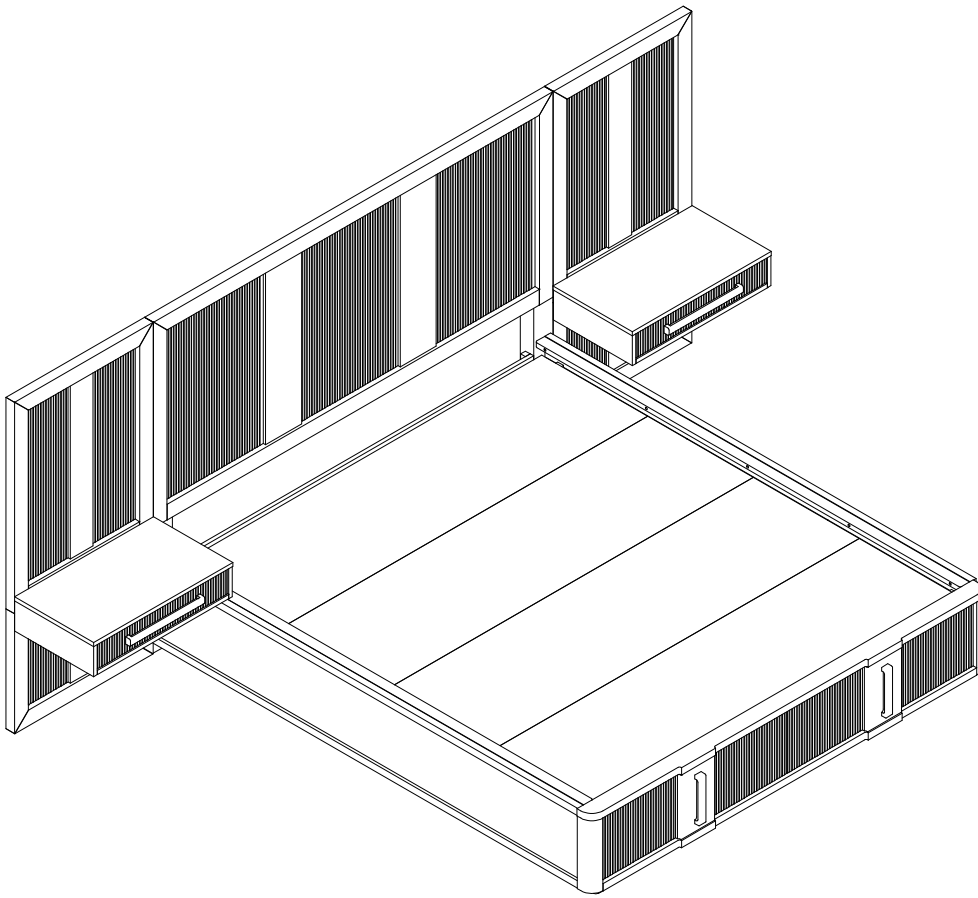
Inner Size : 77.25"W x 82.00"D

Inner Size of Drawer : 33.75"W x 22.75"D x 7.25"H x 0.25T



Note : Dimension tolerance  $\pm 5\%$

# ASSEMBLY INSTRUCTIONS



*Fine Furniture for every stage of life*

***Left & Right Wall Bed Panel With Nightand***

# ASSEMBLY INSTRUCTIONS

## ASSEMBLY TIPS:

1. Remove hardware from box and sort by size.
2. Please check to see that all hardware and parts are present prior to start of assembly.
3. Please follow attached instructions in the same sequence as numbered to assure fast & easy assembly.



### WARNING

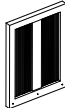
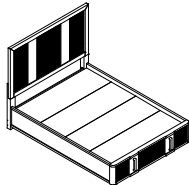

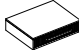
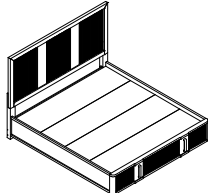

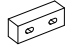
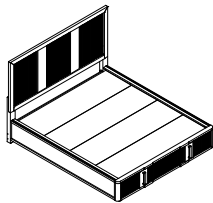
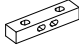
1. Don't attempt to repair or modify parts that are broken or defective. Please contact the store immediately.
2. This product is for home use only and not intended for commercial establishments.




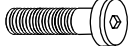





ASSEMBLY TIME

20 MINUTES

## PARTS IDENTIFICATION

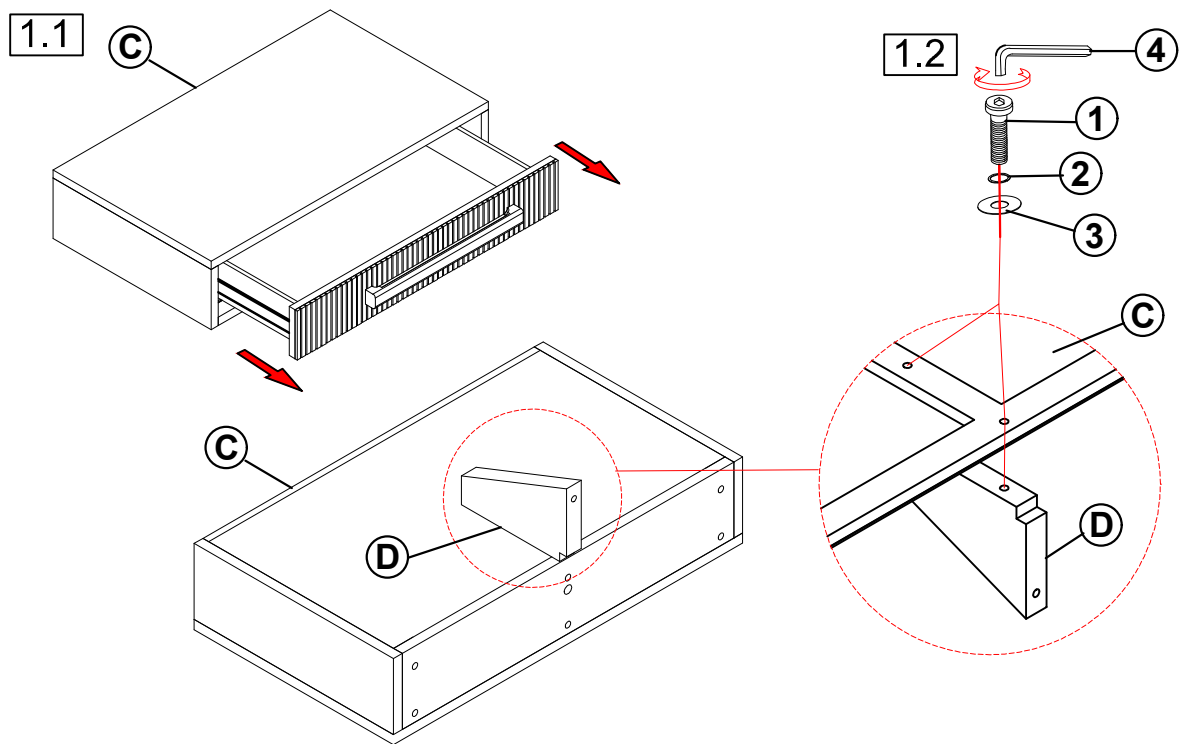
|          |                             |   |             |           |                     |   |             |
|----------|-----------------------------|---|-------------|-----------|---------------------|---|-------------|
| <b>A</b> | <b>TOP PANEL</b>            |    | <b>2PCS</b> | <b>BD</b> | <b>BED FROM BOX</b> |   | <b>1SET</b> |
| <b>B</b> | <b>BOTTOM PANEL</b>         |   | <b>2PCS</b> |           | or                  |   |             |
| <b>C</b> | <b>DRAWER</b>               |  | <b>2PCS</b> |           |                     |  | <b>1SET</b> |
| <b>D</b> | <b>DRAWER SUPPORT</b>       |  | <b>2PCS</b> |           | or                  |   |             |
| <b>E</b> | <b>TOP PANEL SUPPORT</b>    |  | <b>4PCS</b> |           |                     |  | <b>1SET</b> |
| <b>F</b> | <b>BOTTOM PANEL SUPPORT</b> |  | <b>2PCS</b> |           |                     |   |             |

## HARDWARE IDENTIFICATION

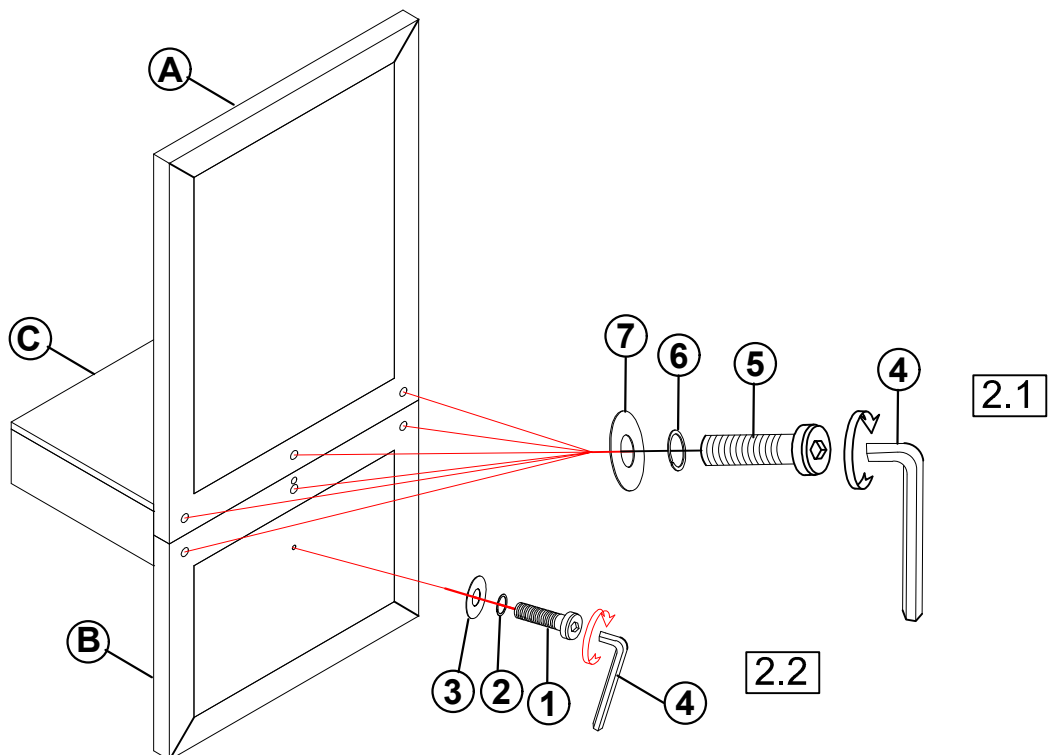
|          |   |   |             |          |  |   |              |
|----------|---|---|-------------|----------|--|---|--------------|
| <b>1</b> | <b>SHORT BOLT</b><br>(1/4" x 45mm - RBW)              |  | <b>6PCS</b> | <b>5</b> | <b>LONG BOLT</b><br>(5/16" x 50mm - RBW)             |  | <b>28PCS</b> |
| <b>2</b> | <b>SMALL LOCK WASHER</b><br>(1/4" - RBW)              |  | <b>6PCS</b> | <b>6</b> | <b>BIG LOCK WASHER</b><br>(5/16" - RBW)              |  | <b>28PCS</b> |
| <b>3</b> | <b>SMALL FLAT WASHER</b><br>(1/4" x 19 x 1.5mm - RBW) |  | <b>6PCS</b> | <b>7</b> | <b>BIG FLAT WASHER</b><br>(5/16" x 19 x 1.5mm - RBW) |  | <b>28PCS</b> |
| <b>4</b> | <b>ALLEN WRENCH</b><br>(74 x 30 x 4mm - RBW)          |  | <b>1PC</b>  |          |  |   |              |

# ASSEMBLY INSTRUCTIONS

## STEP 1

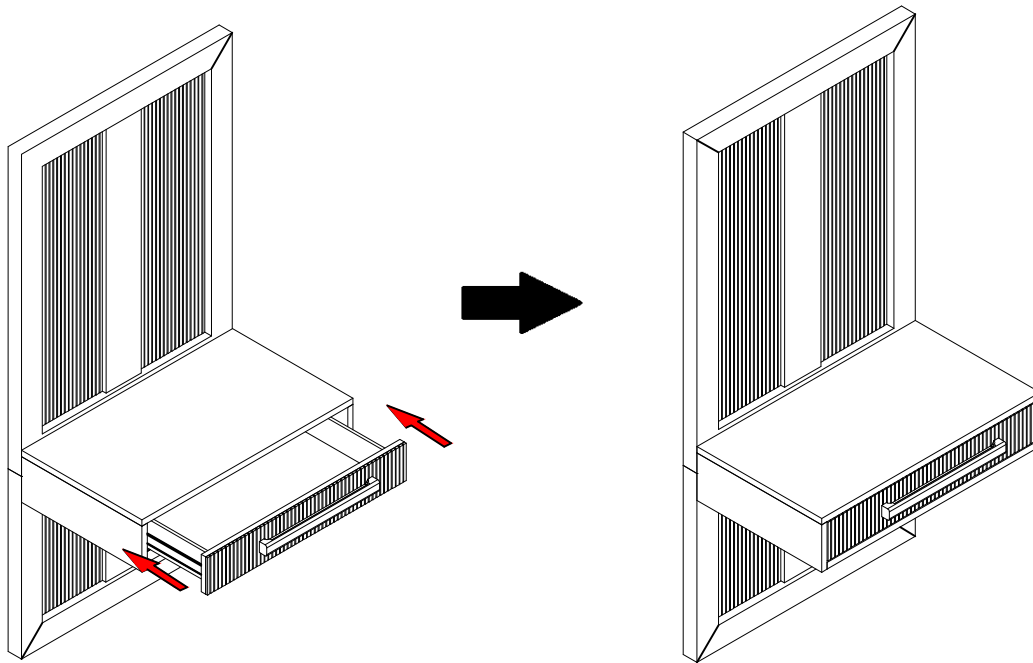


## STEP 2

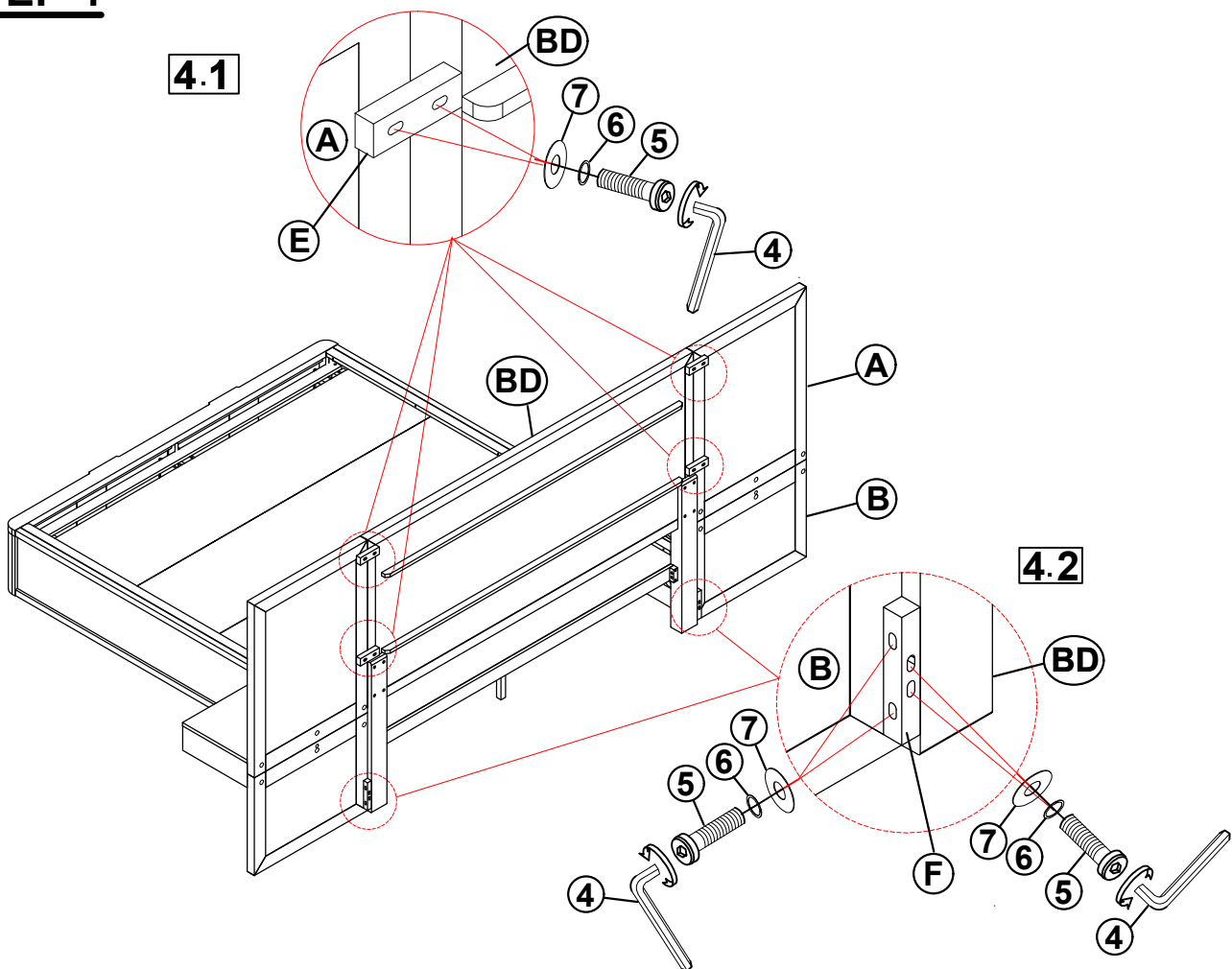


# ASSEMBLY INSTRUCTIONS

## STEP 3



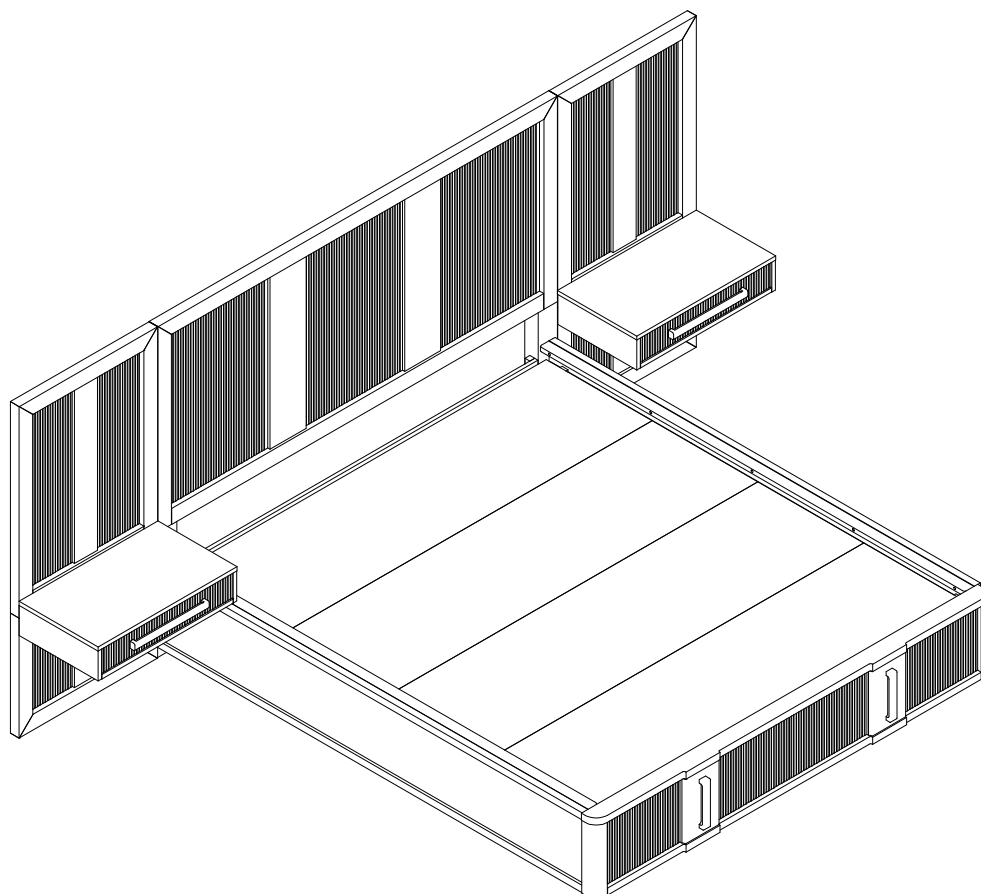
## STEP 4



# ASSEMBLY INSTRUCTIONS

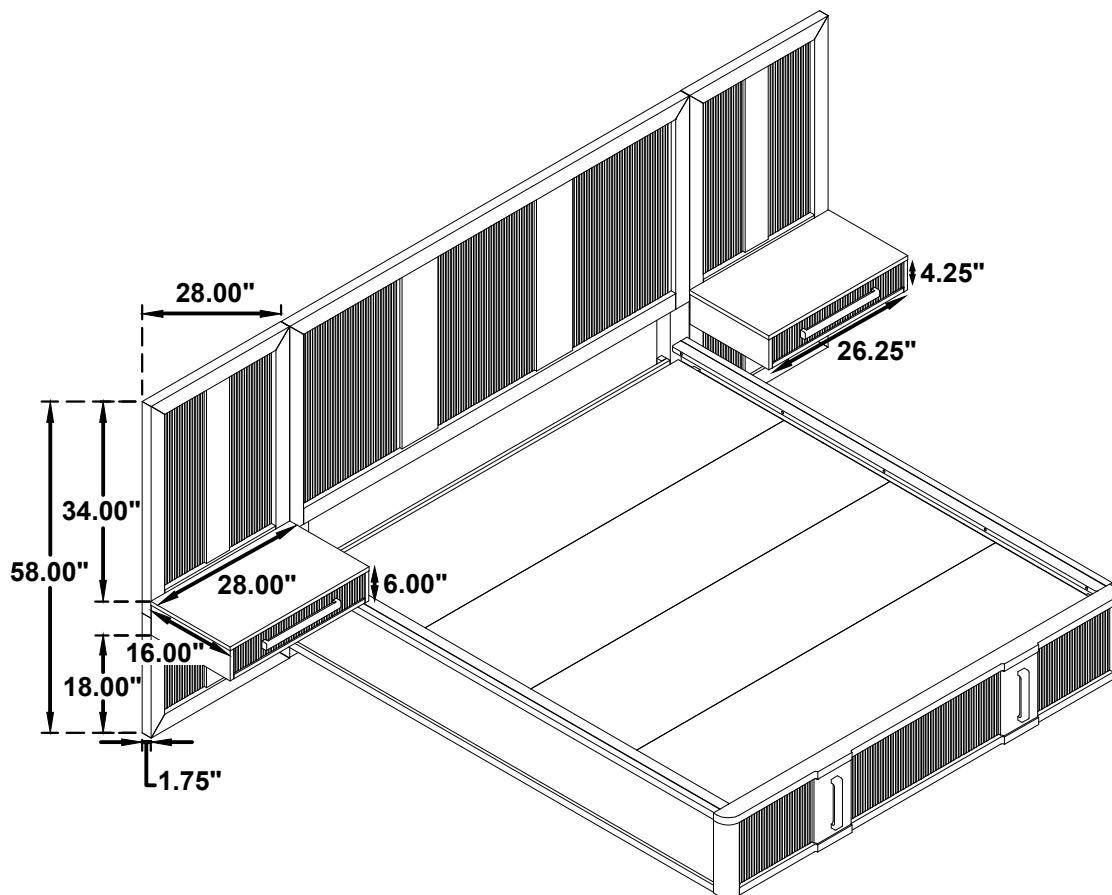
## STEP 5

COMPLETE



**Inner Size of Drawer : 23.25"W x 12.75"D x 2.75"H x 0.25T**

**Inner Size of Drawer : 23.25"W x 12.75"D x 2.75"H x 0.25T**



**Note : Dimension tolerance  $\pm 5\%$**