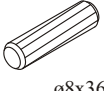
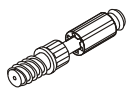


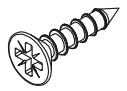
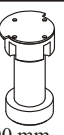
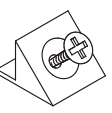
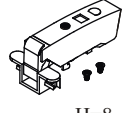
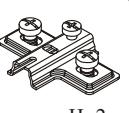
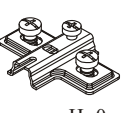
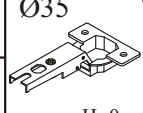
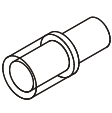


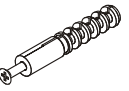
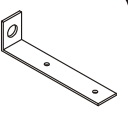
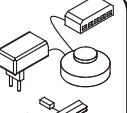


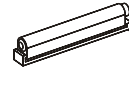
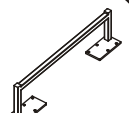
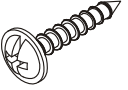
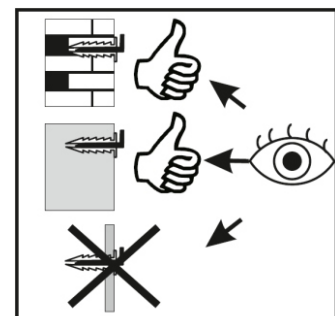
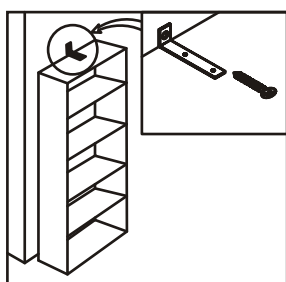
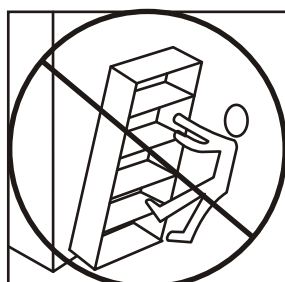
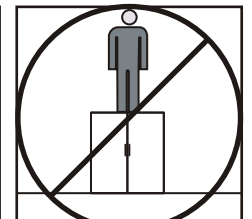
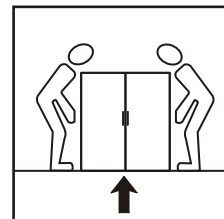
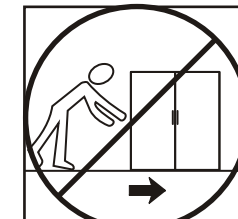
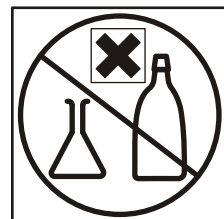
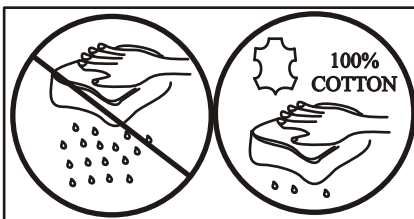
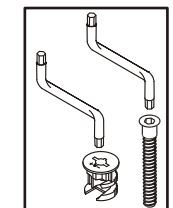
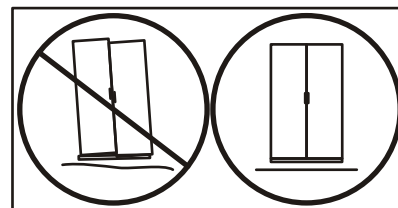
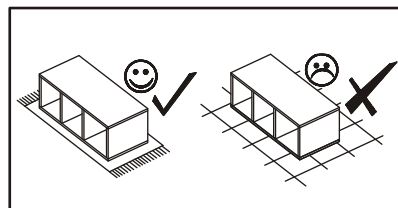
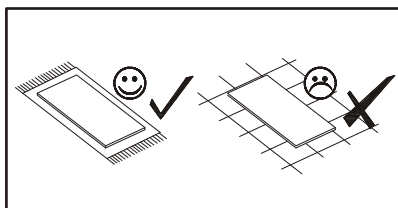
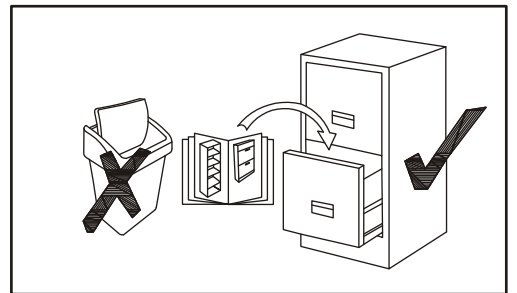
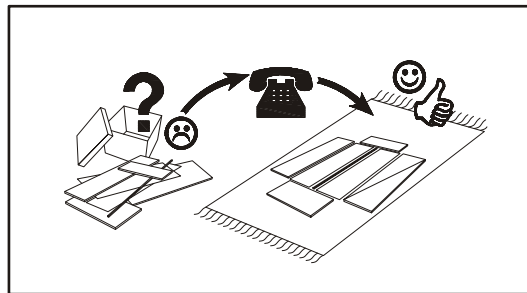
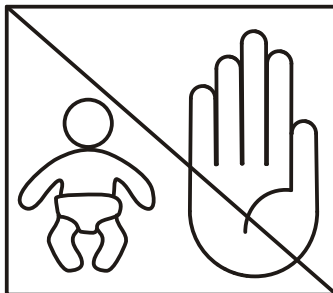
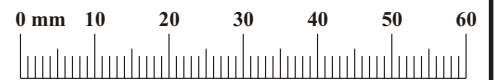


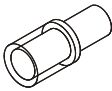
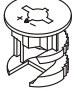
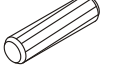
90 min

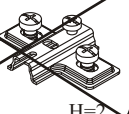
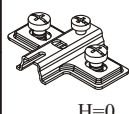
NO	Dim.			Col-No	Qty
1	1502	426	16	2	1
2	1502	426	16	2	1
3	338	426	16	1	2
5	483	396	5	2	1
6	338	406	16	1	2
8	496	364	16	1	2
9	496	364	21	1	1
10	1480	350	3	2	1

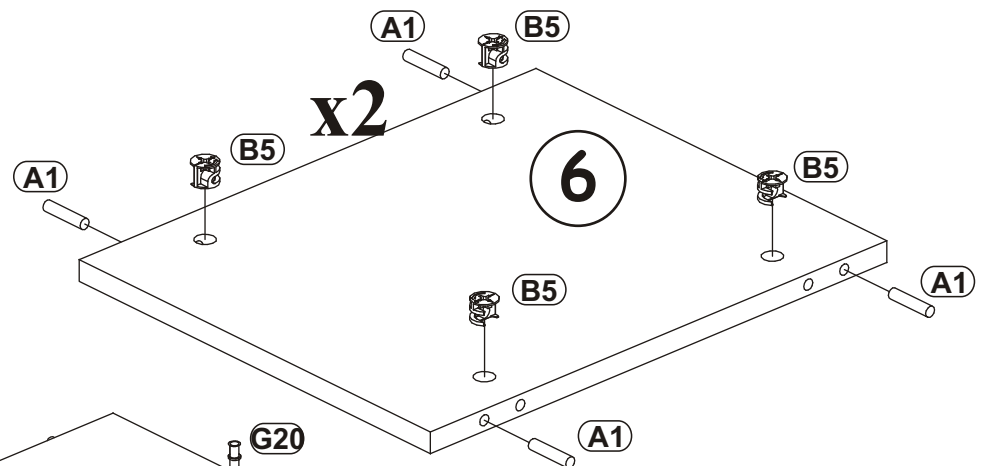
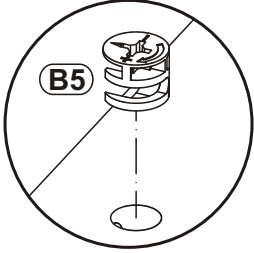
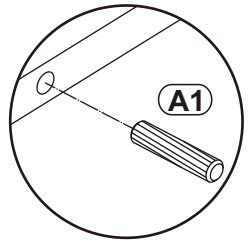
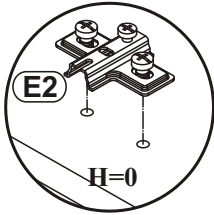
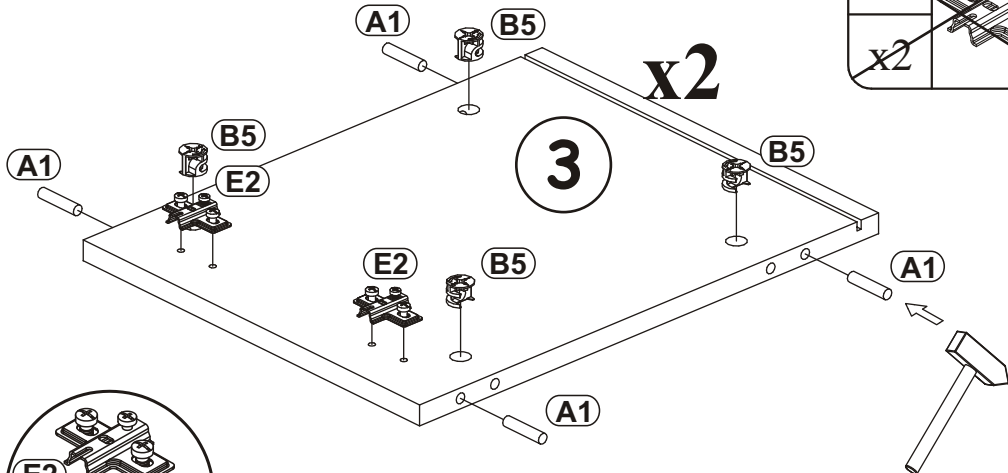
A1 x16  ø8x36	B4 x16 	B5 x16  ø15x12	G5 x16 	D30 x8  USØ3,5x16	I12 x2  L-100 mm.
S1 x14 	E31 x2  H=8	E4 x2  H=2	E2 x4  H=0	E21 x4  Ø35 H=0	G20 x4 
UP13 x6  UPØ3x16	D10 x16  USØ3,5x13	KR1 x1 	L1 x1 	LED x1  x1	G2 x1 
Z2 x4  ø5	T1 x3 	ST6 x2 	UP5 x16  UPØ4x16		



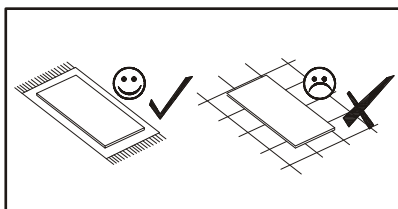
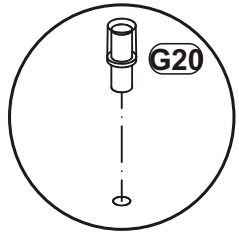
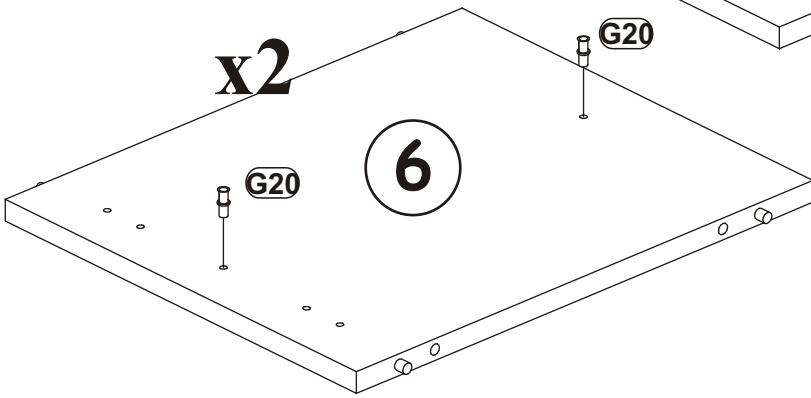
1

G20		B5		A1	
x4		x16	$\varnothing 15 \times 12$	x16	$\varnothing 8 \times 36$

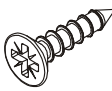
E4		E2	
x2	H=2	x4	H=0




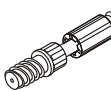
180°

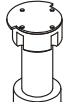


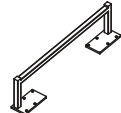
2

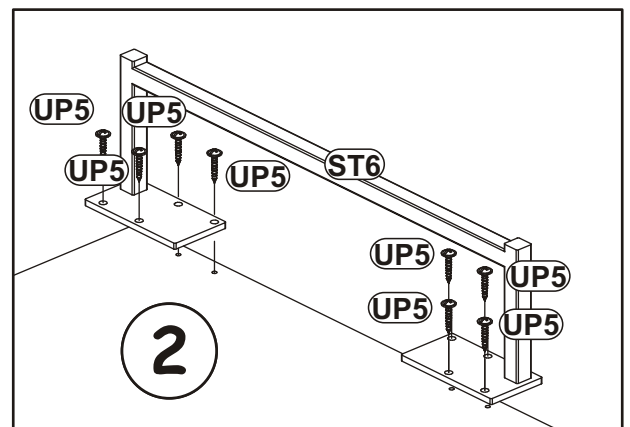
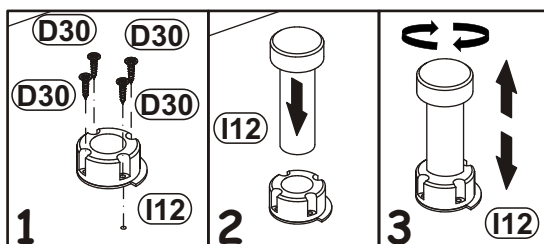
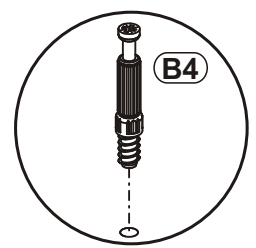
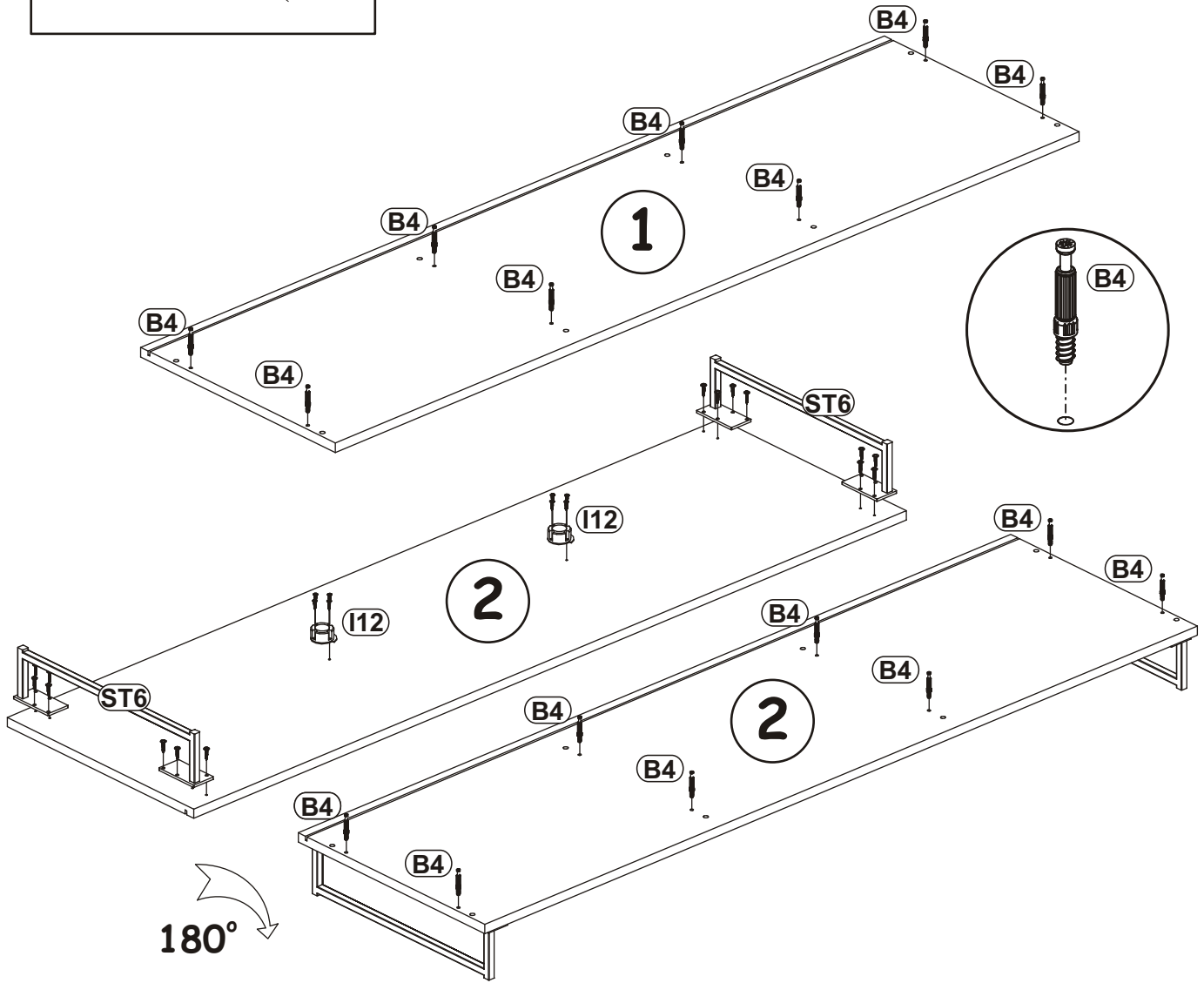
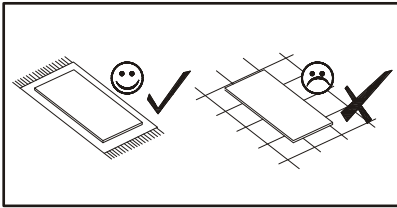
D30	
x8	USØ3,5x16

UP5	
x16	UPØ4x16


B4	
x16	

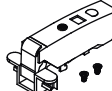
I12	
x2	L-100 mm.

ST6	
x2	

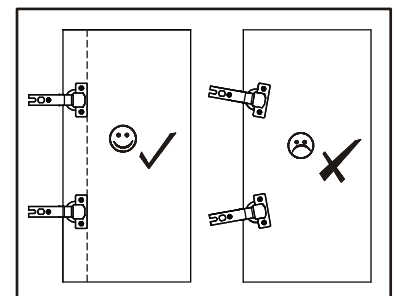
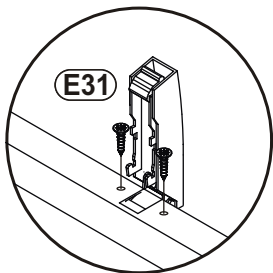
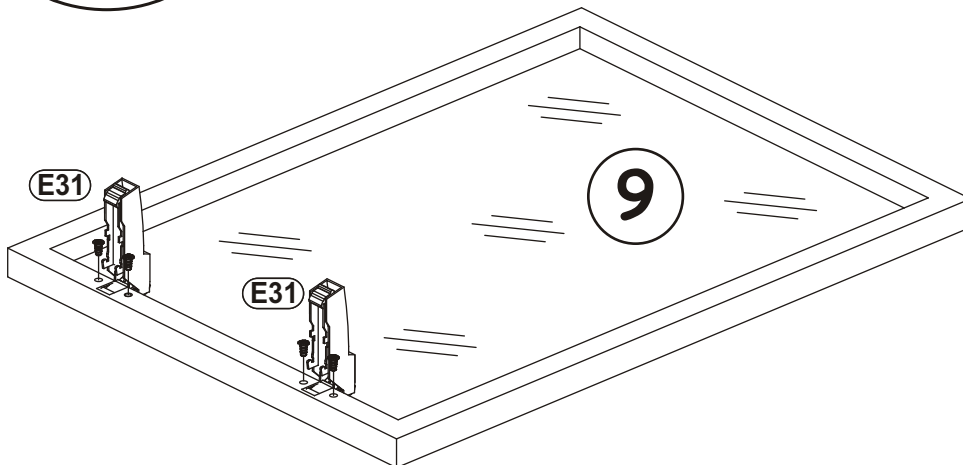
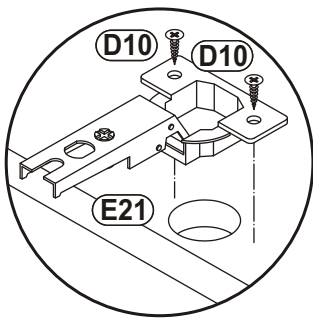
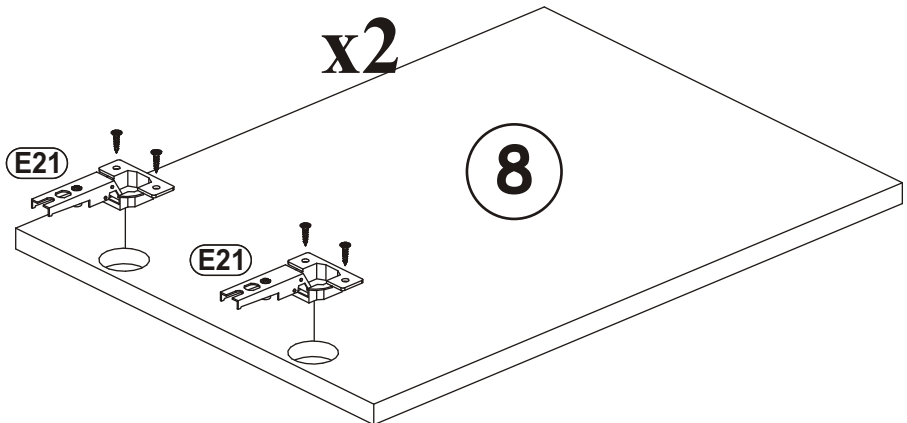
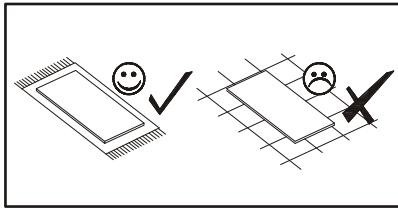


3


D10	
x8	USØ3,5x13

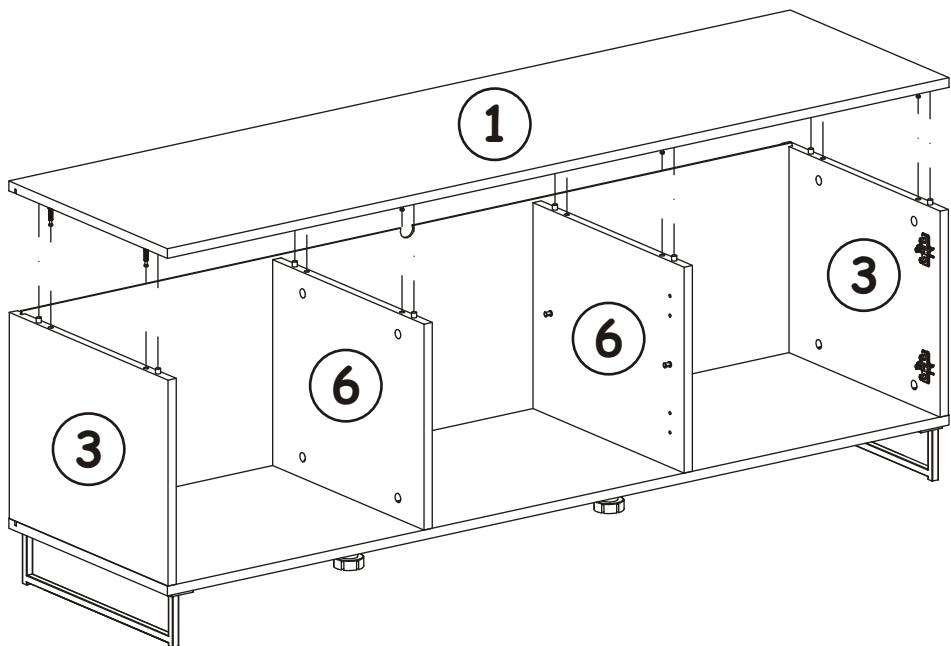
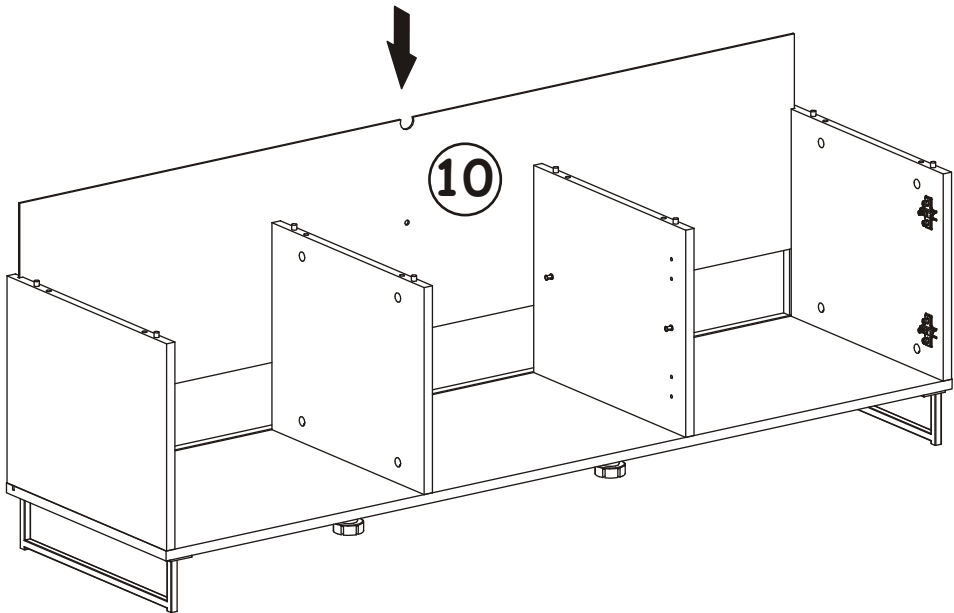
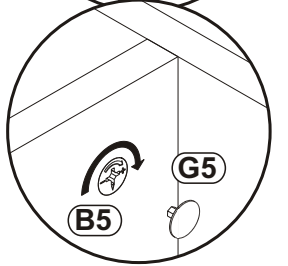
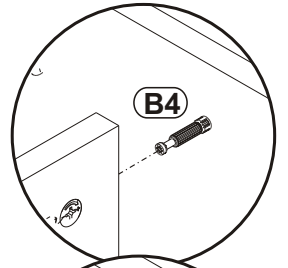
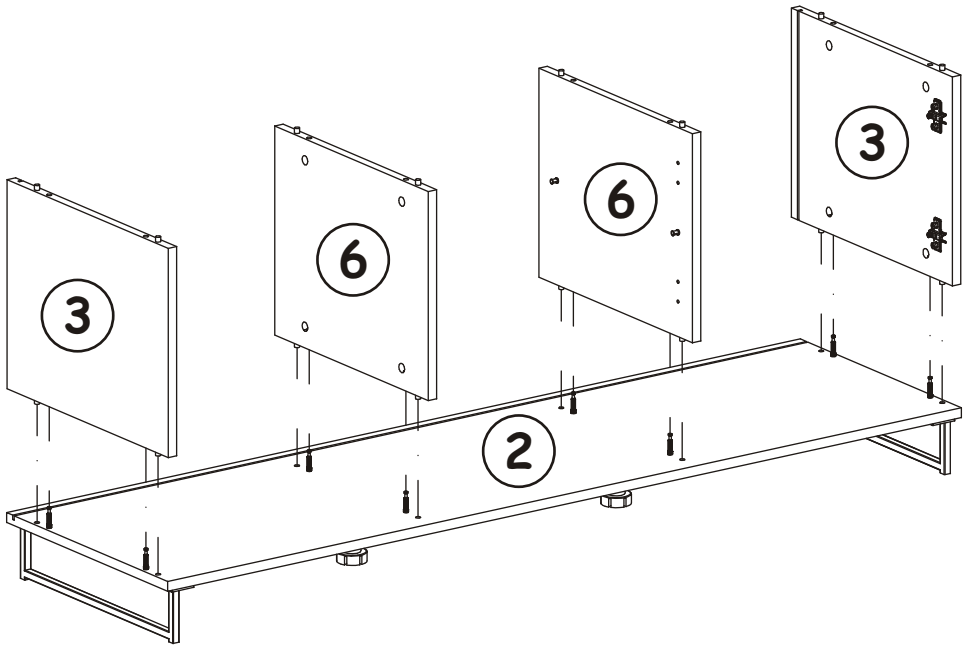
E31	
x2	H=8

E21	Ø35
x4	H=0

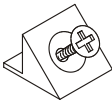


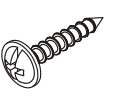
4

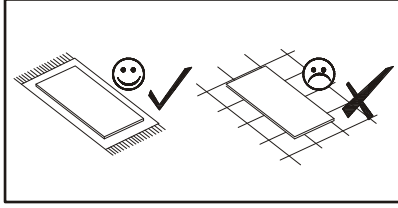
G5	
x16	



5

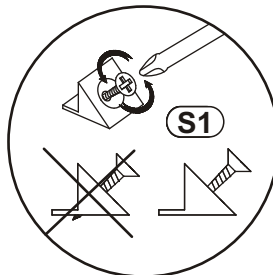
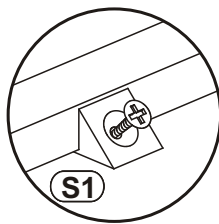
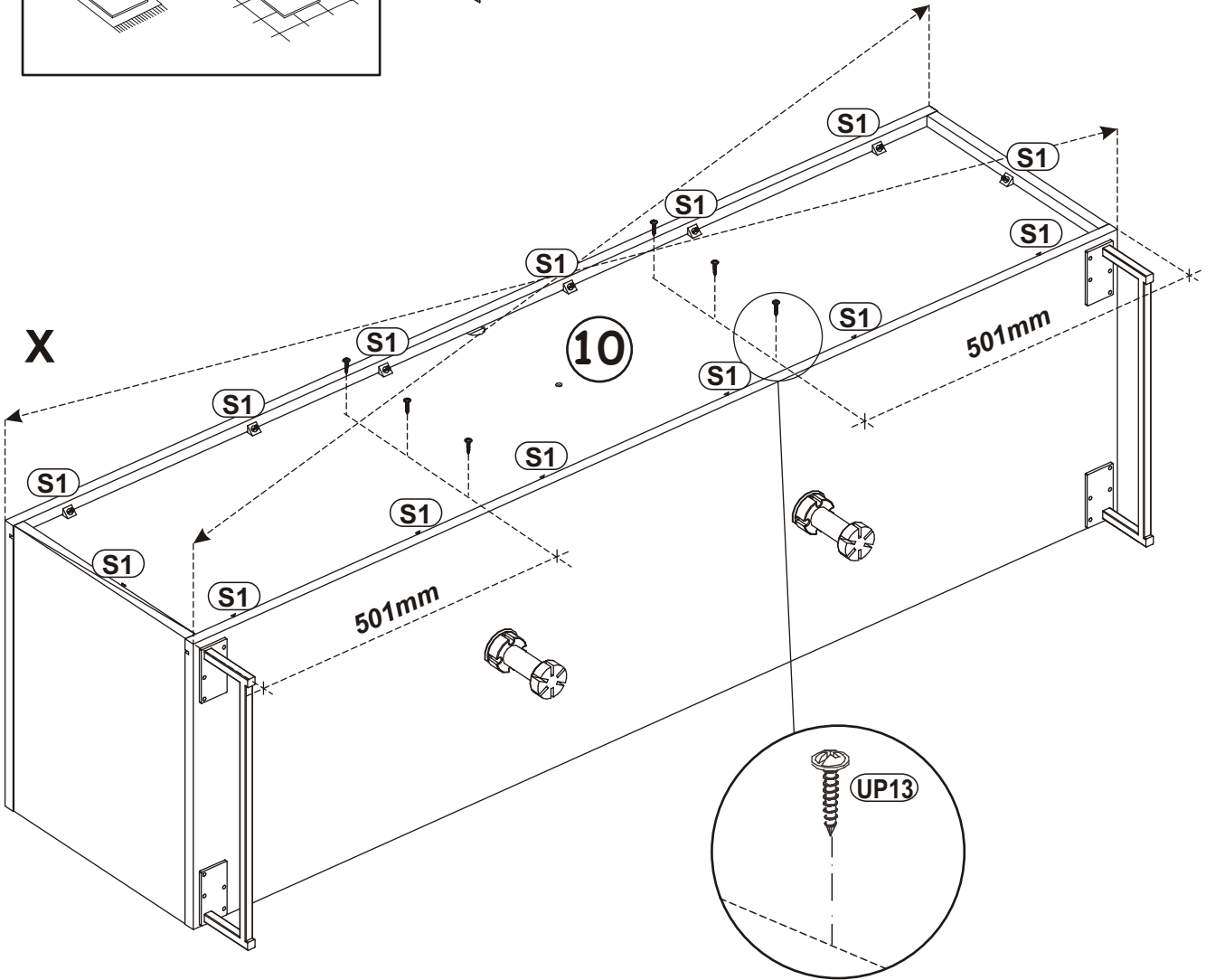
S1	
x14	

UP13	
x6	

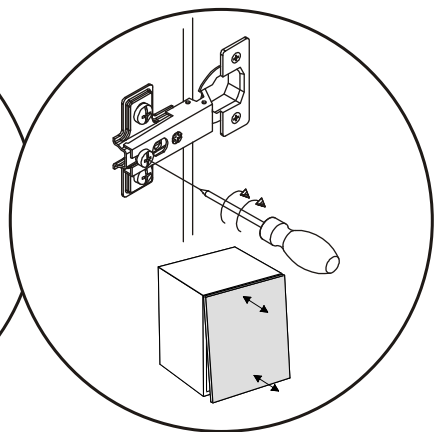
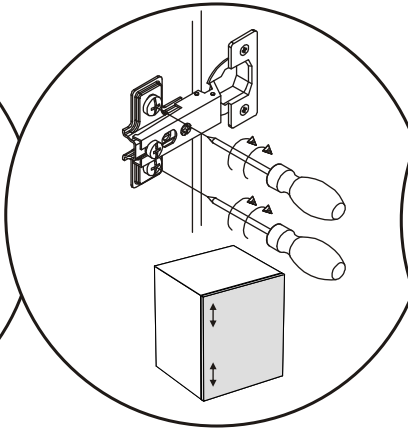
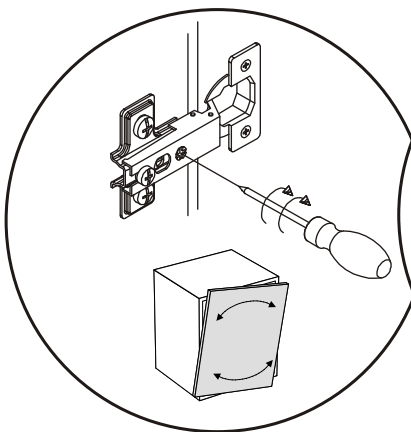
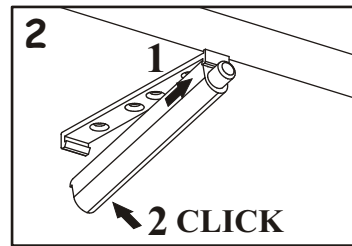
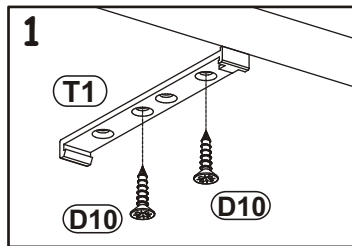
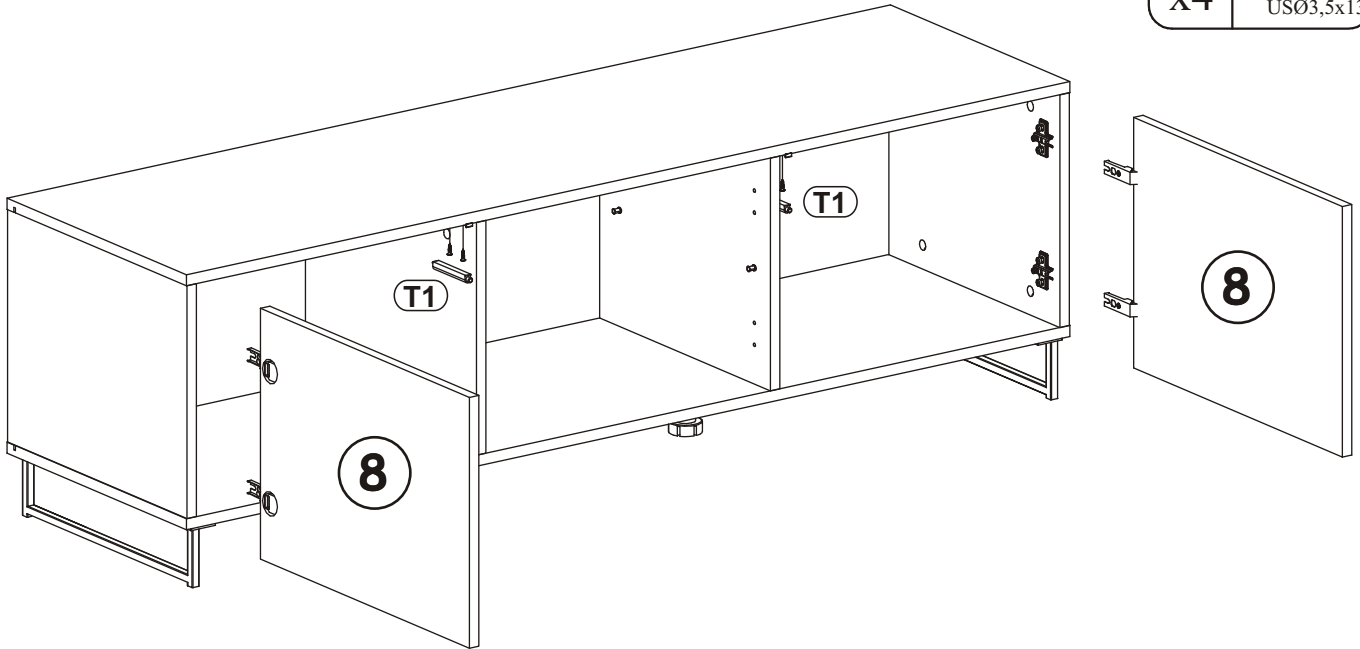
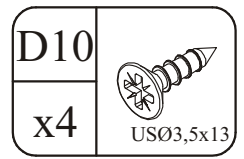
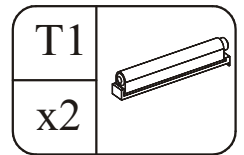


Y

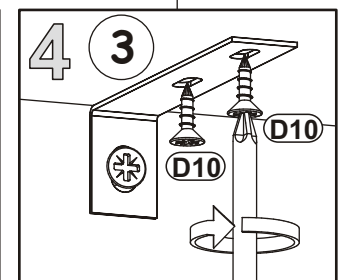
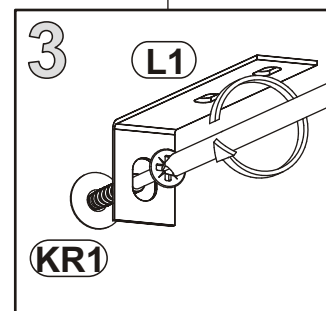
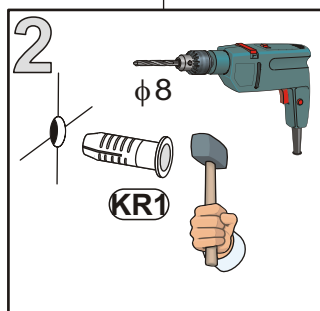
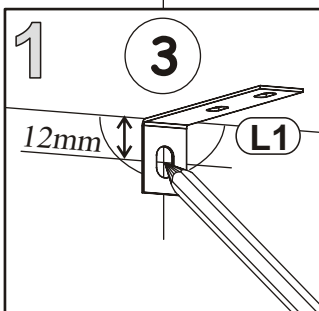
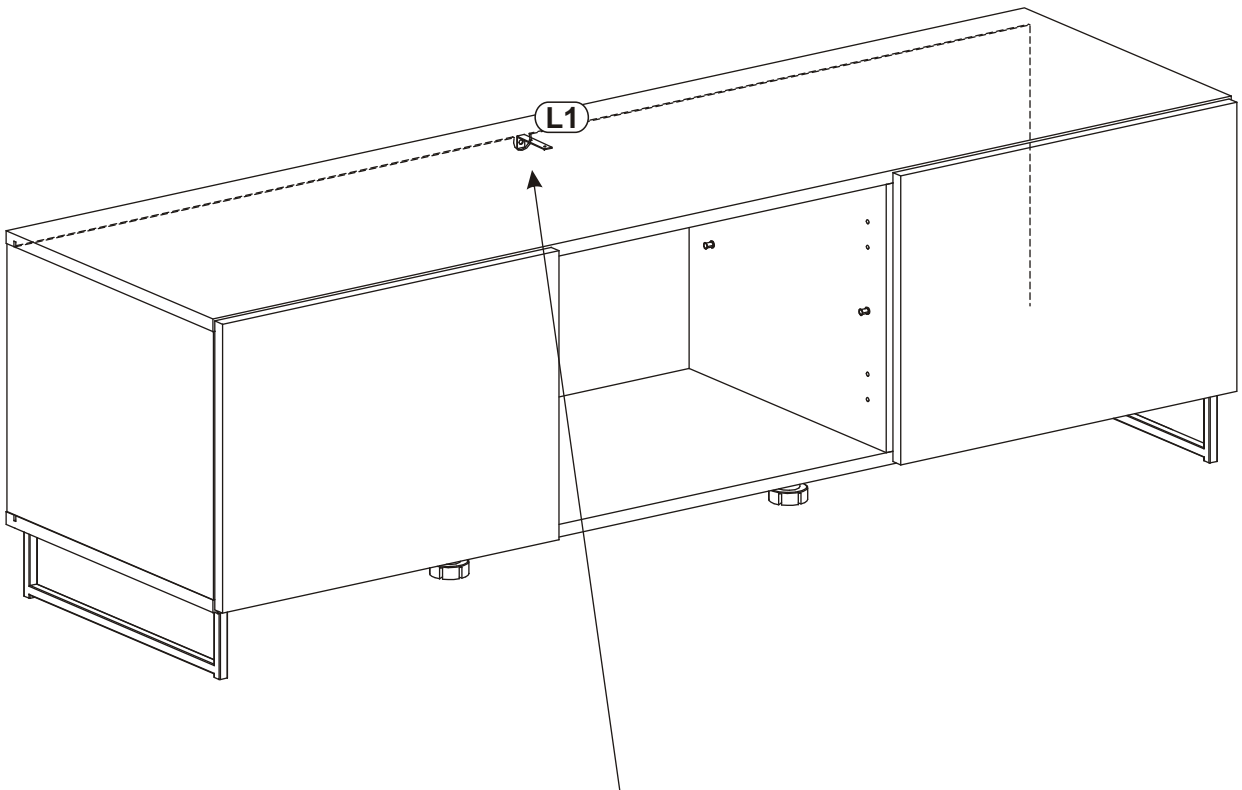
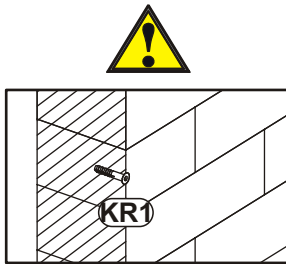
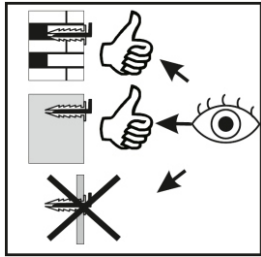
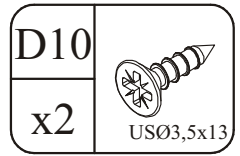
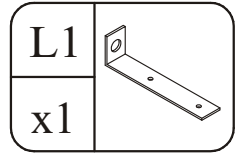
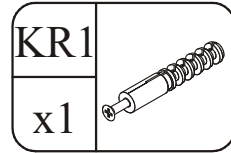
X



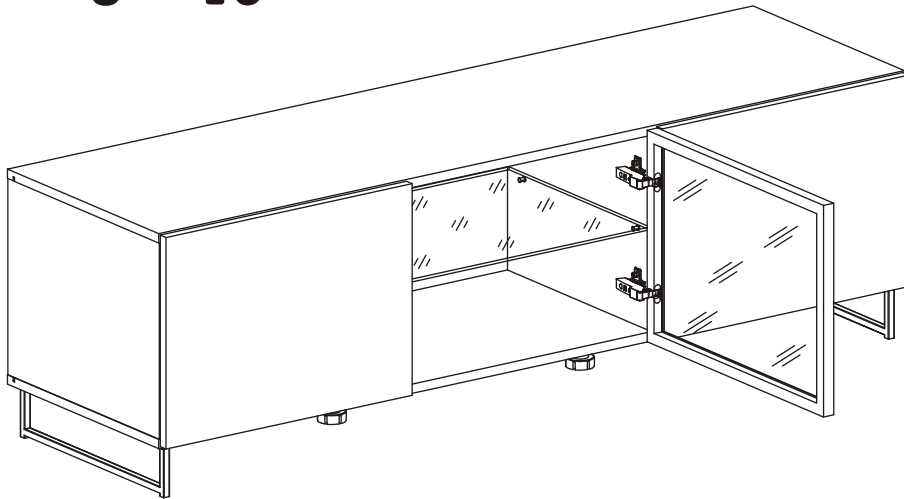
6



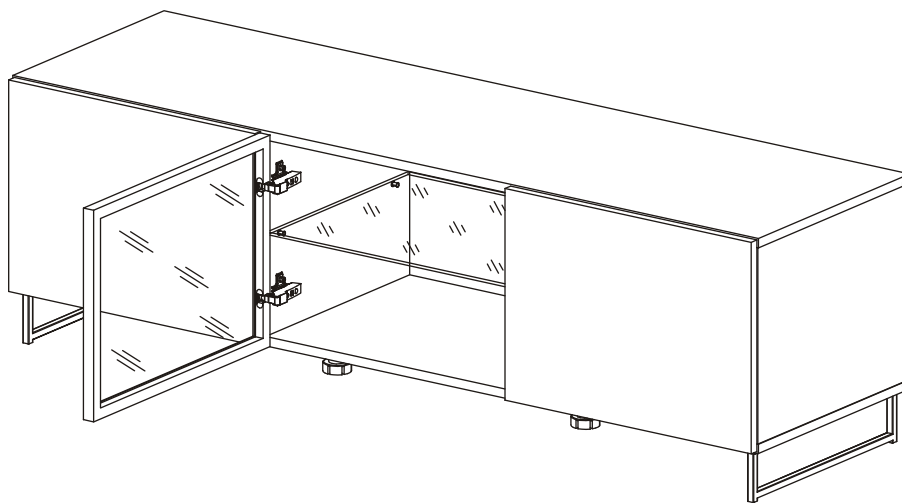
7



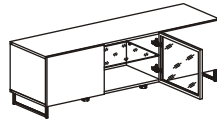
8 - 10




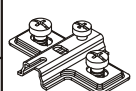
11 - 13

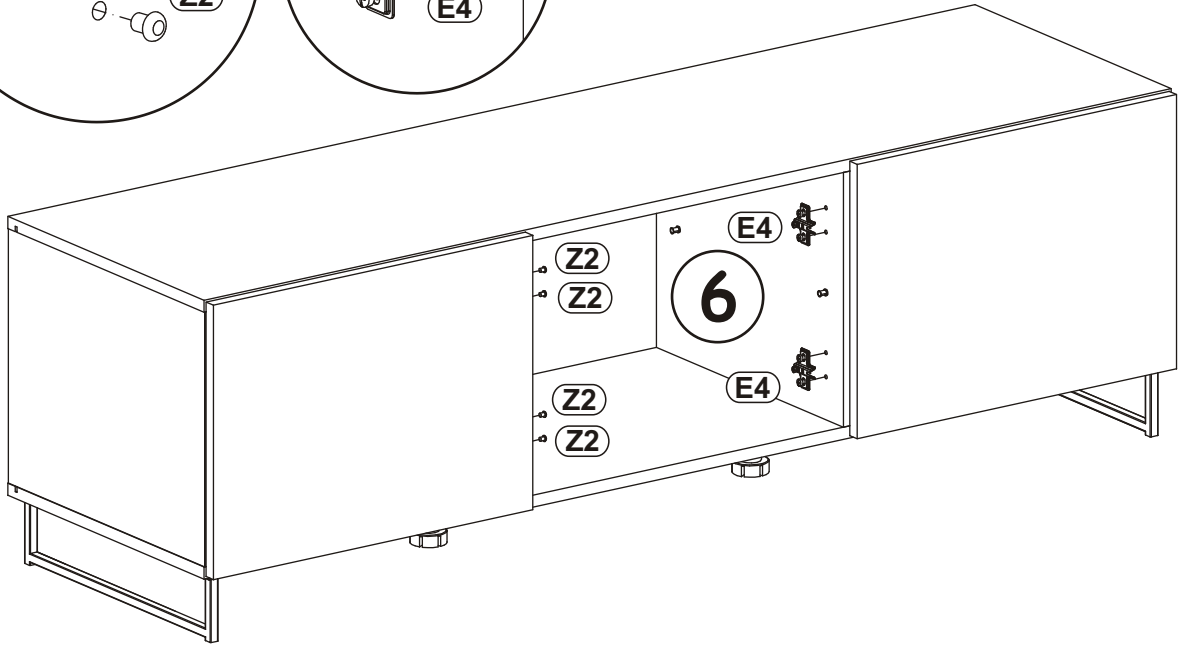
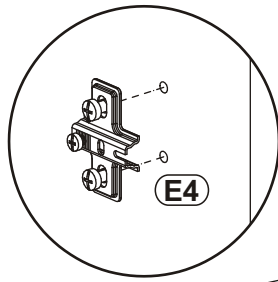
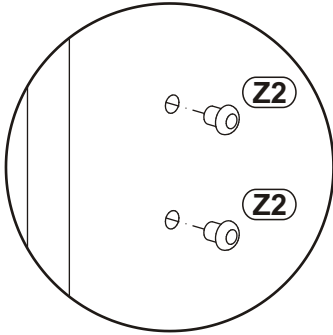


8

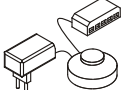


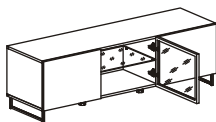
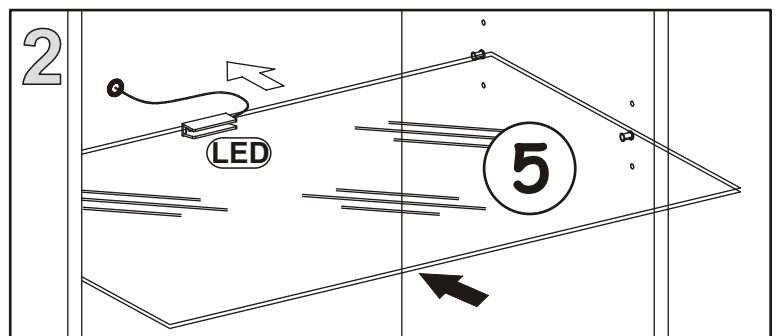
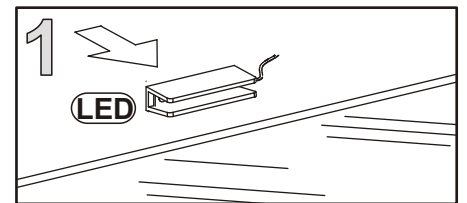
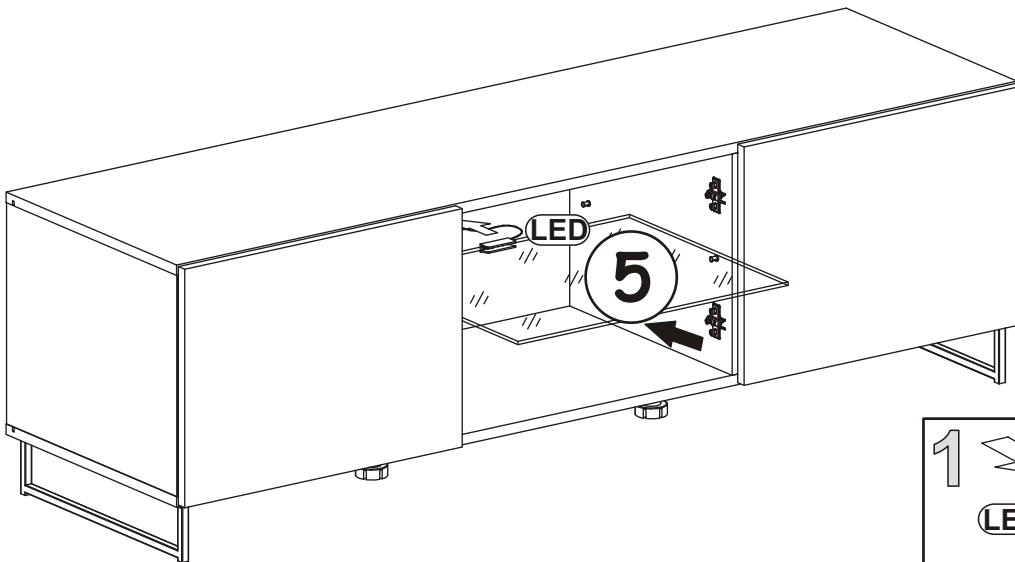
Z2	
x4	Ø5

E4	
x2	H=2

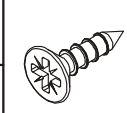
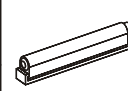


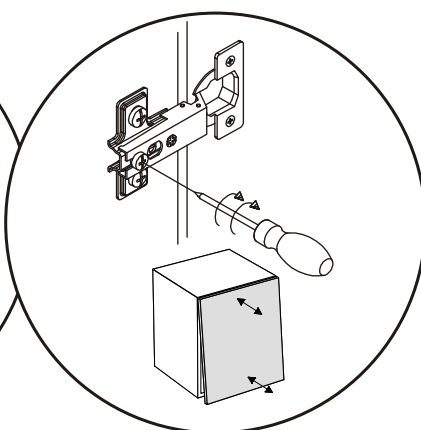
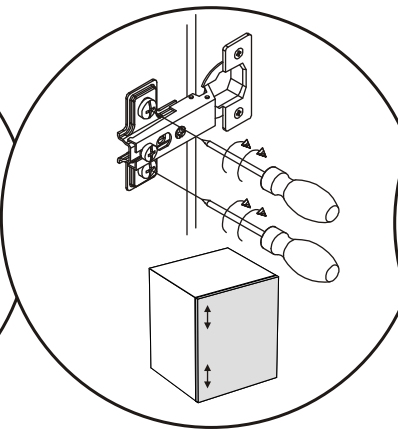
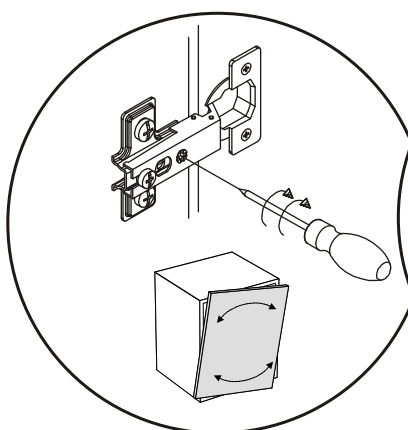
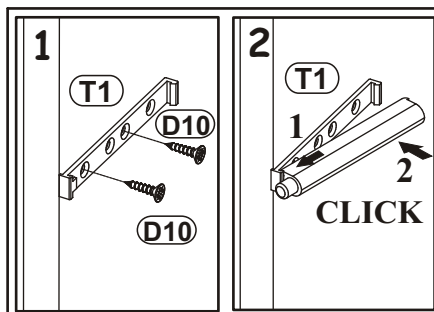
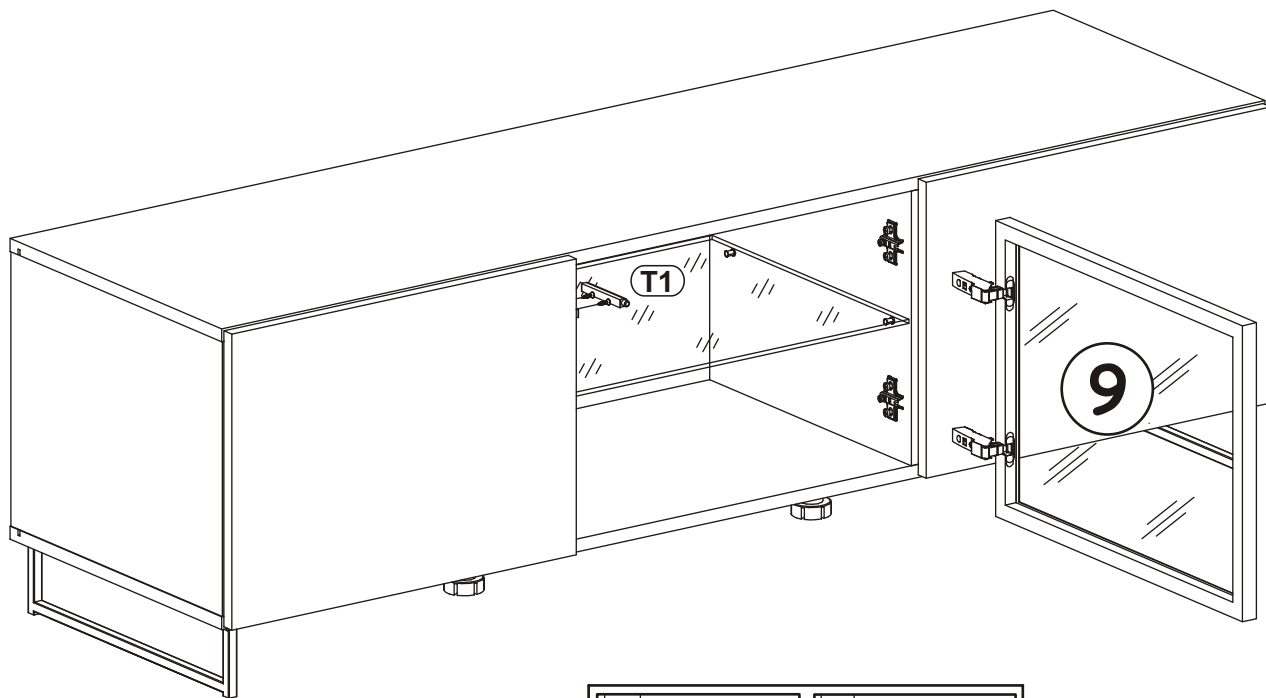
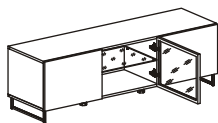
9

LED	
x1	x1

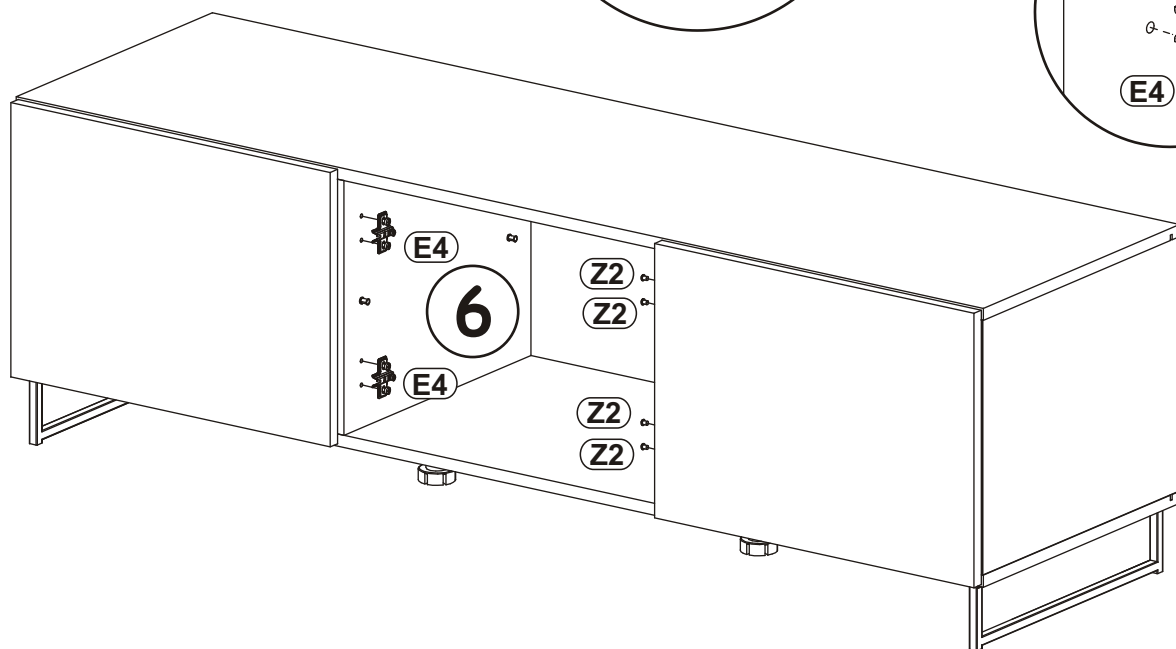
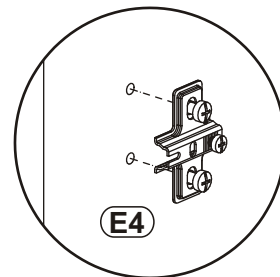
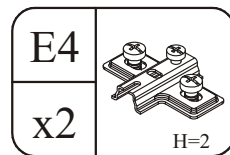
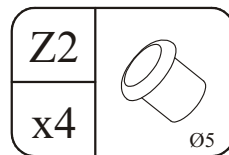
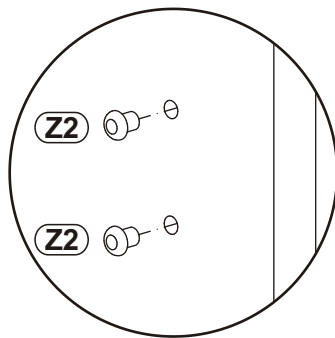
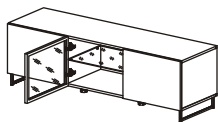


10

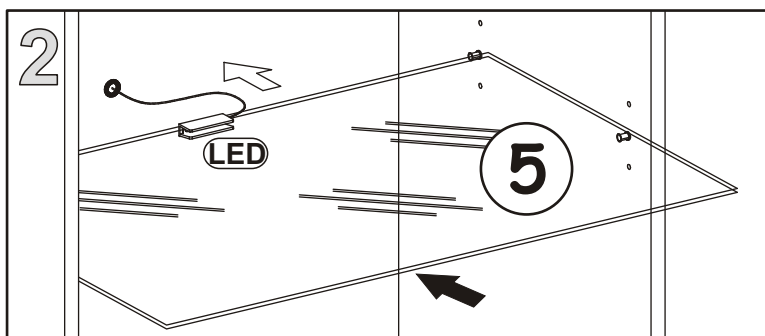
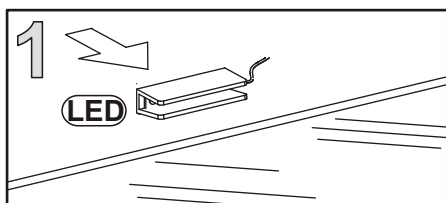
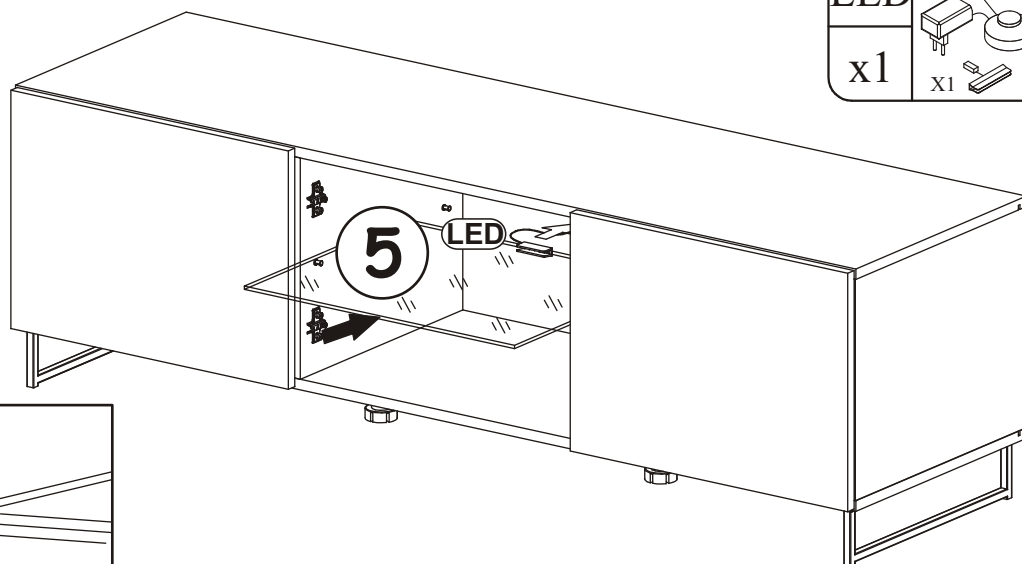
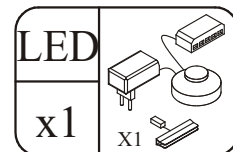
D10		T1	
x2		x1	



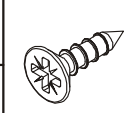
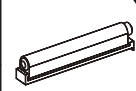
11



12



13

D10		T1	
x2		x1	

