

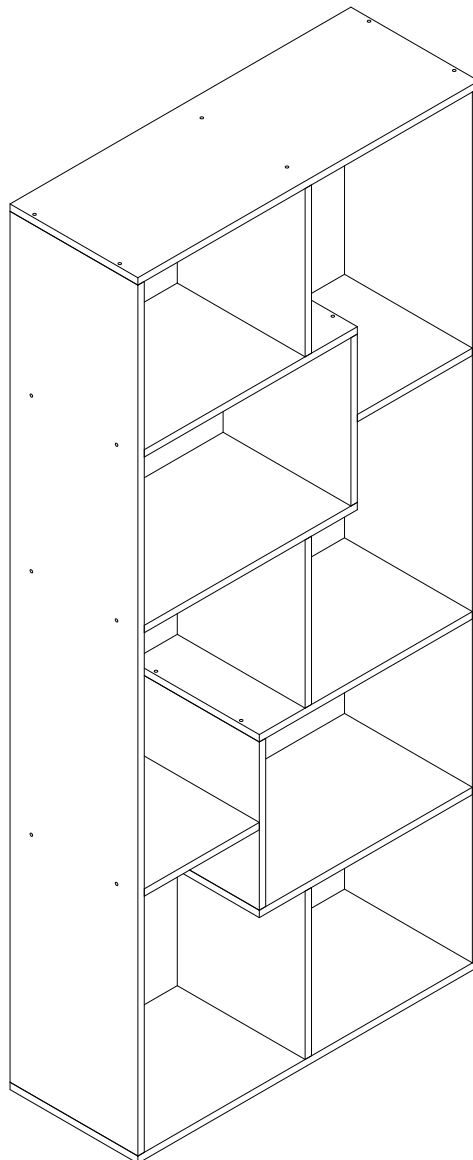
ASSEMBLY INSTRUCTION

PLEASE READ BEFORE ASSEMBLING

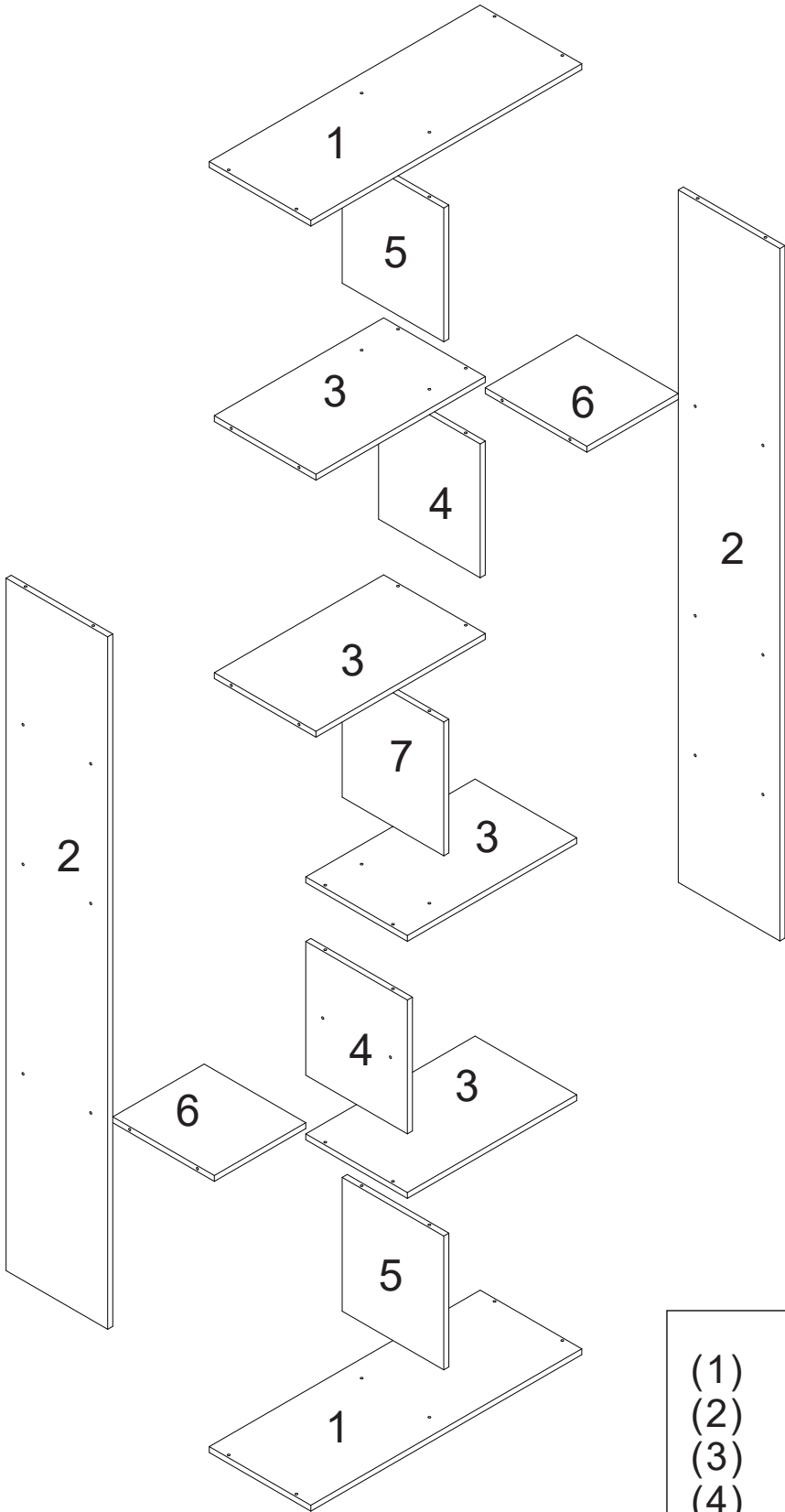
Tip #1:make sure you've taken all the pieces and hardware out of its packaging before discarding the box

Tip #2:Using page 2 and/or page 3 of instruction manual make sure all pieces and hardware are accounted for.

Tip #3:read manual before assembling,it helps



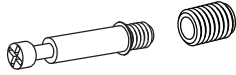
PARTS IDENTIFICATION



(1)	2pcs	(5)	2pcs
(2)	2pcs	(6)	2pcs
(3)	4pcs	(7)	1pc
(4)	2pcs		

HARDWARE IDENTIFICATION

A



$\phi 6 \times 40$

12pcs

B



$\phi 12 \times 12$

12pcs

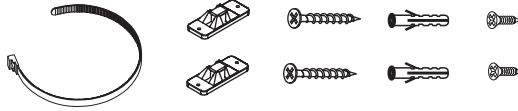
C



$\phi 4 \times 35$

32pcs

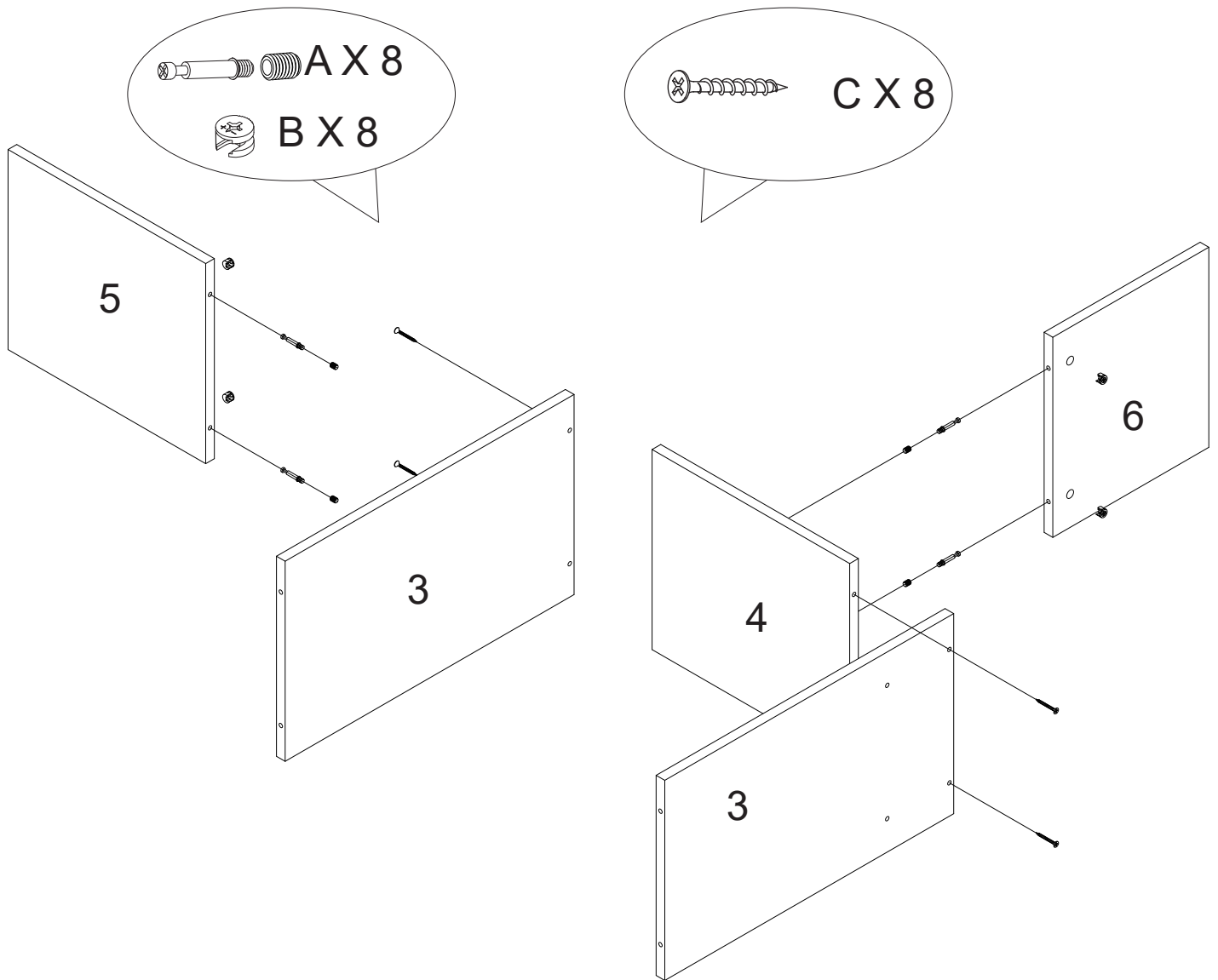
D



1set

ASSEMBLY INSTRUCTION

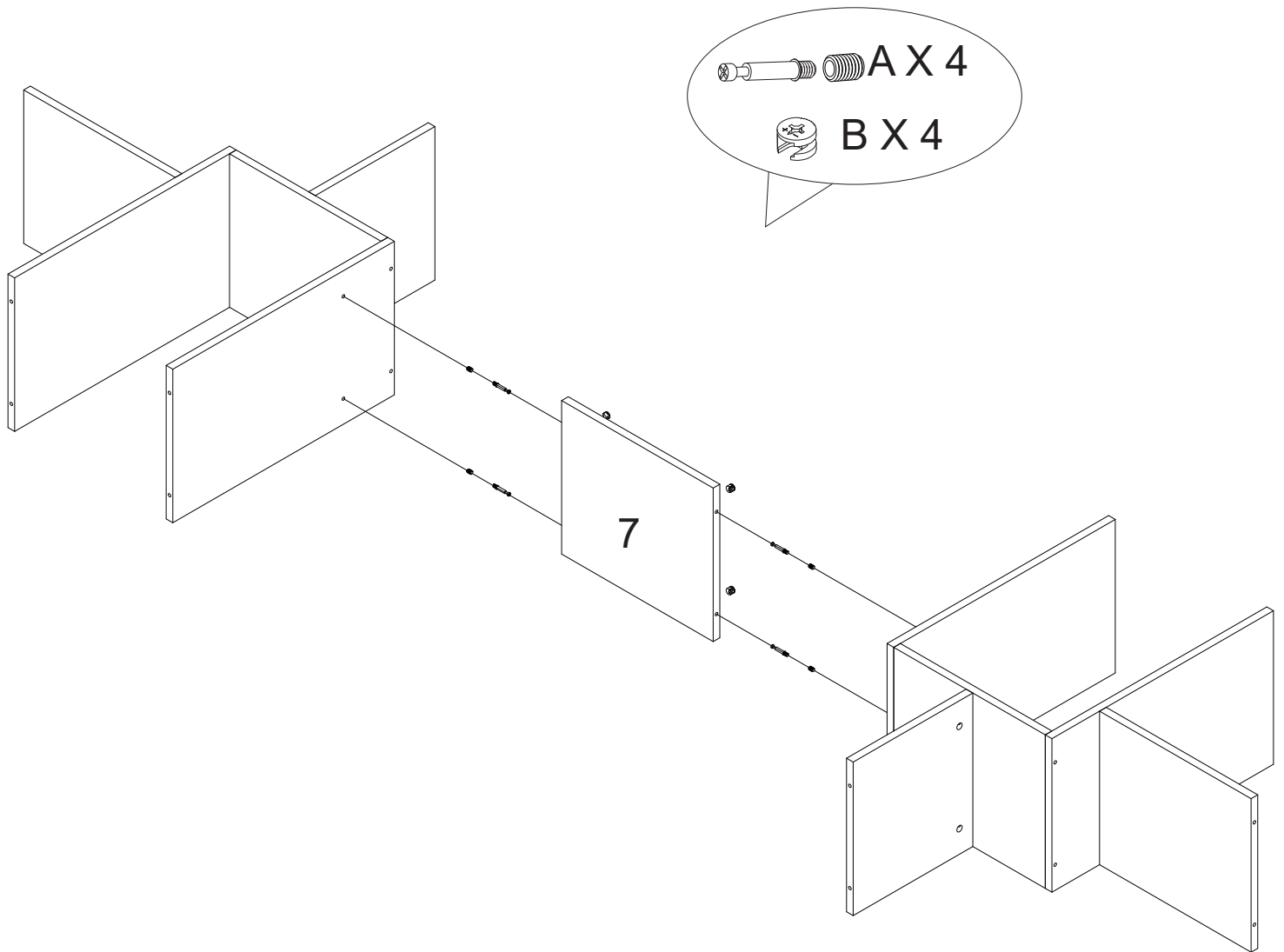
STEP 1



x2

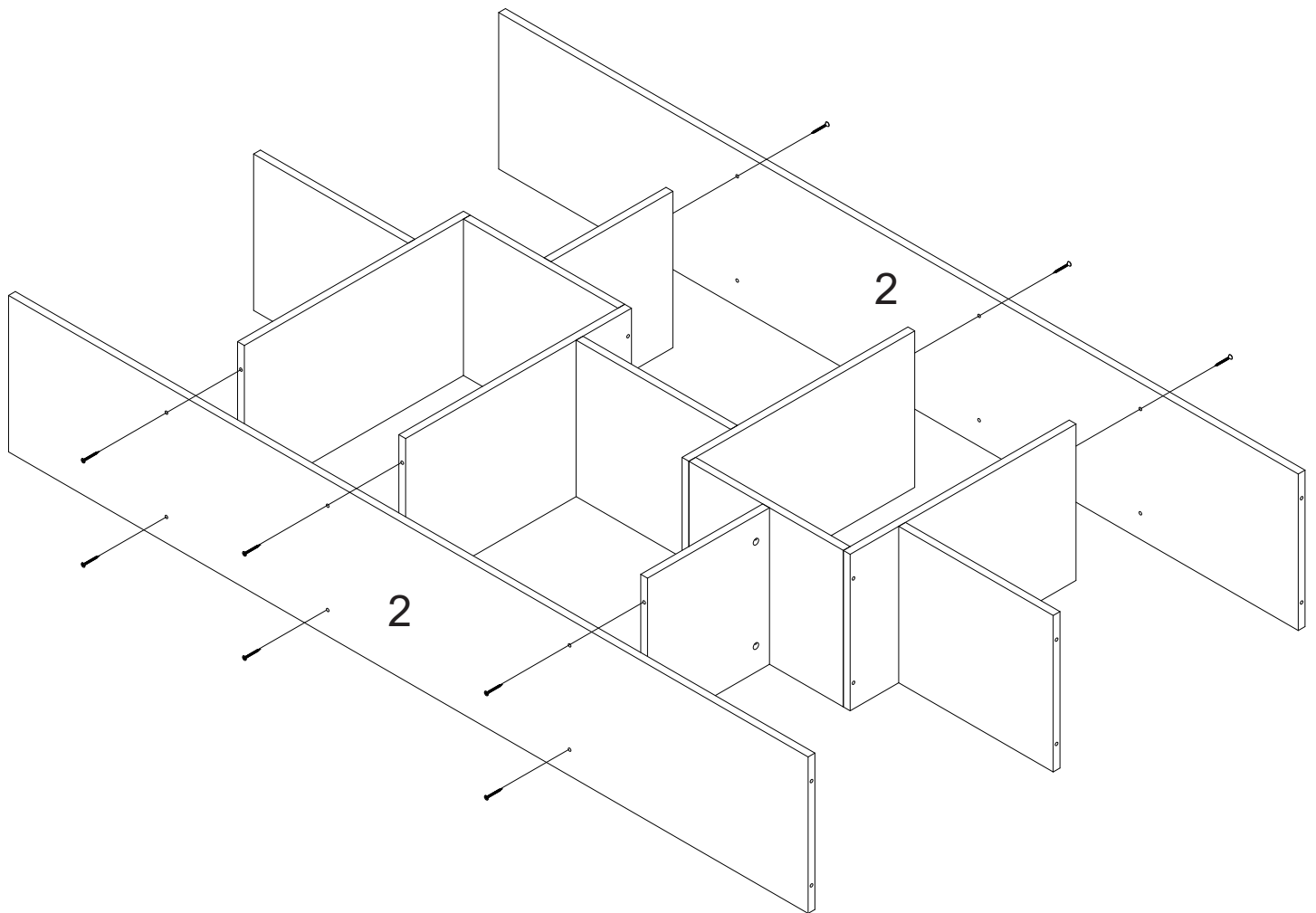
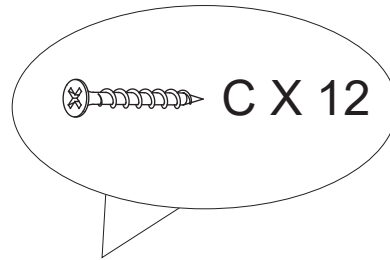
ASSEMBLY INSTRUCTION

STEP 2



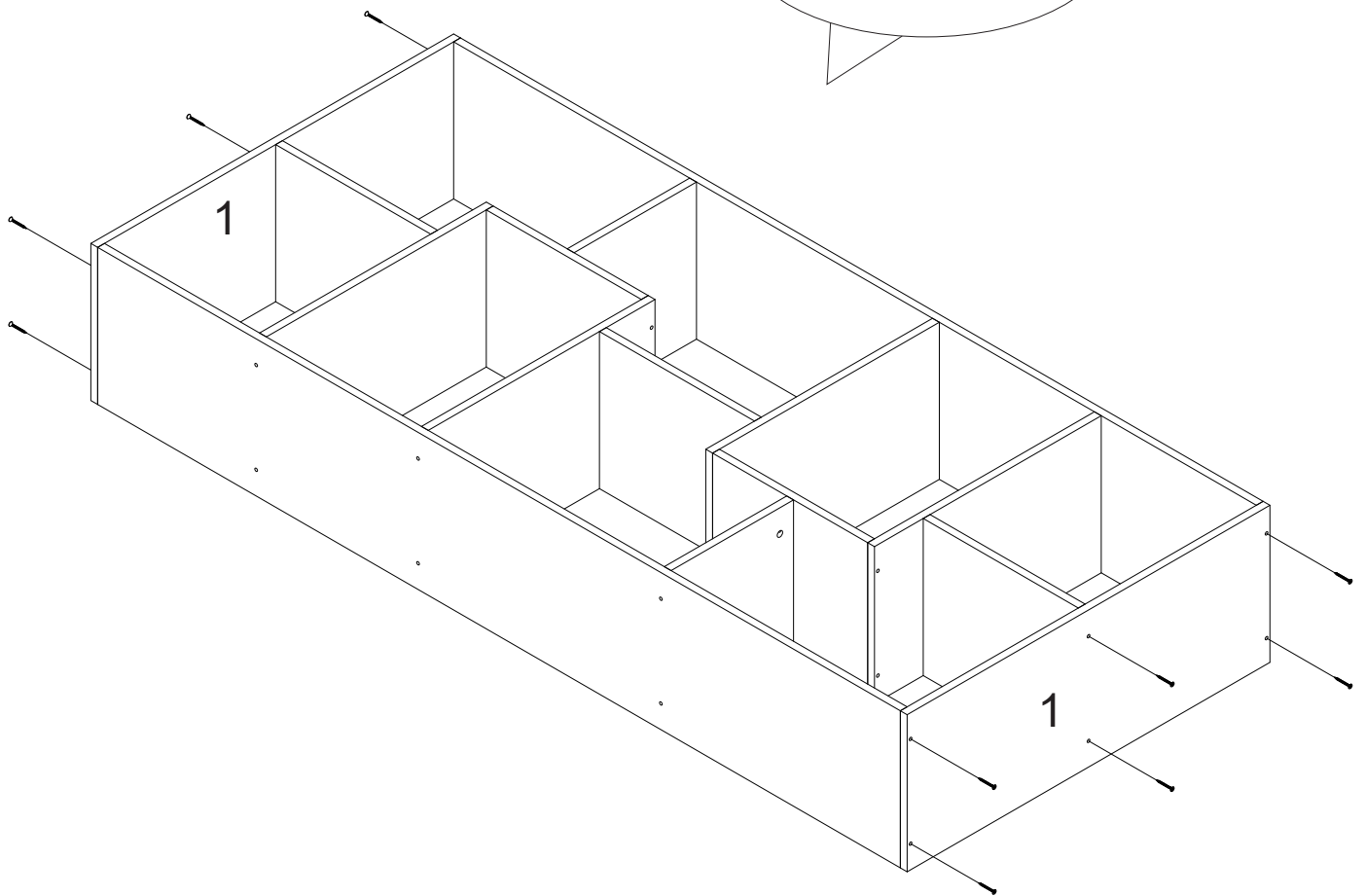
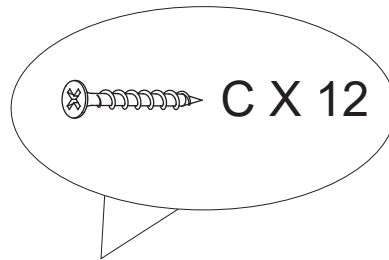
ASSEMBLY INSTRUCTION

STEP 3



ASSEMBLY INSTRUCTION

STEP 4



ASSEMBLY INSTRUCTION

STEP 5

