

**Features**

- Bathroom accessory set
- Polished Chrome Finish
- Solid Brass Base
- Includes Mounting Hardware

**Luna WSBC 38090B CR**




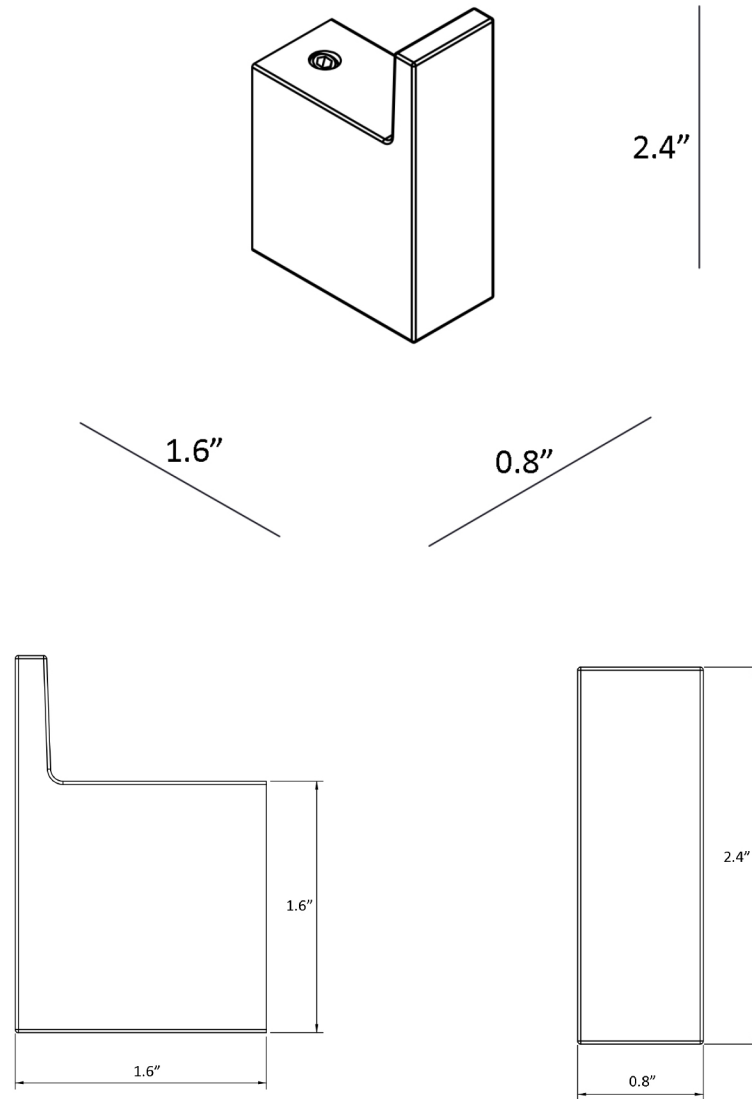
**SKU# | Option:**

- Evo - Luna WSBC 38008 CR | Single Hook
- Luna WSBC 38012 CR | 23.6" L x 2.8" W x 0.4" H Towel Bar
- Luna WSBC 38004 CR | 5.5" L x 3.9" W x 0.4" H Toilet Paper Holder

**Finishes**

|||| CR Polished Chrome

<p><b>Collection</b> Luna</p>	<p><b>Model  </b> Luna WSBC 38090B</p>	<p>Dimensions Metric  <i>1 inch = 2.54 cm</i>  <i>1 inch = 25.4 mm</i></p>	 <p>1051 Lea Drive - Collegeville, PA 19426  Tel. 215 513 9400 - Fax 610 831 0215  <a href="http://www.ws bathcollections.com">www.ws bathcollections.com</a> - <a href="mailto:info@ws bathcollectins.com">info@ws bathcollectins.com</a></p>
-----------------------------------	--	--	---



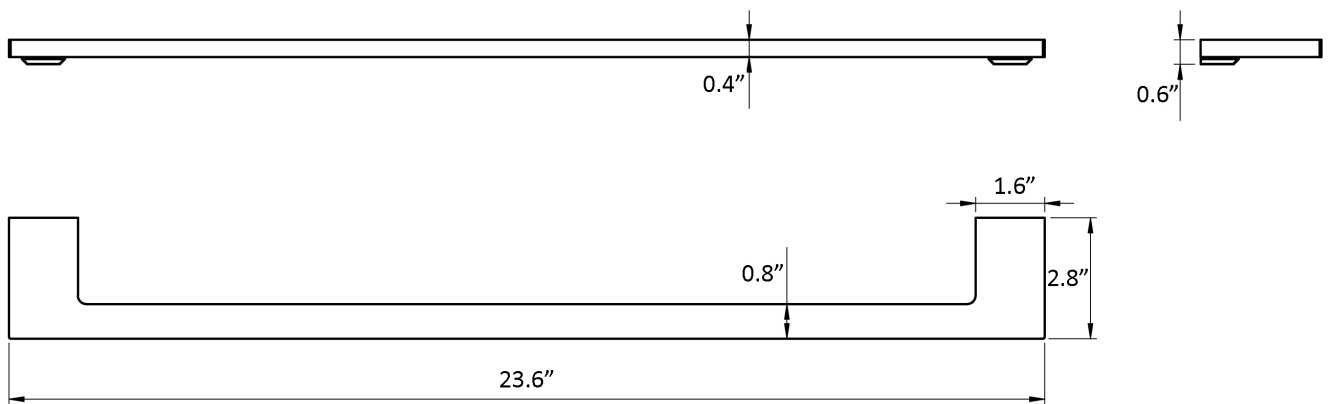
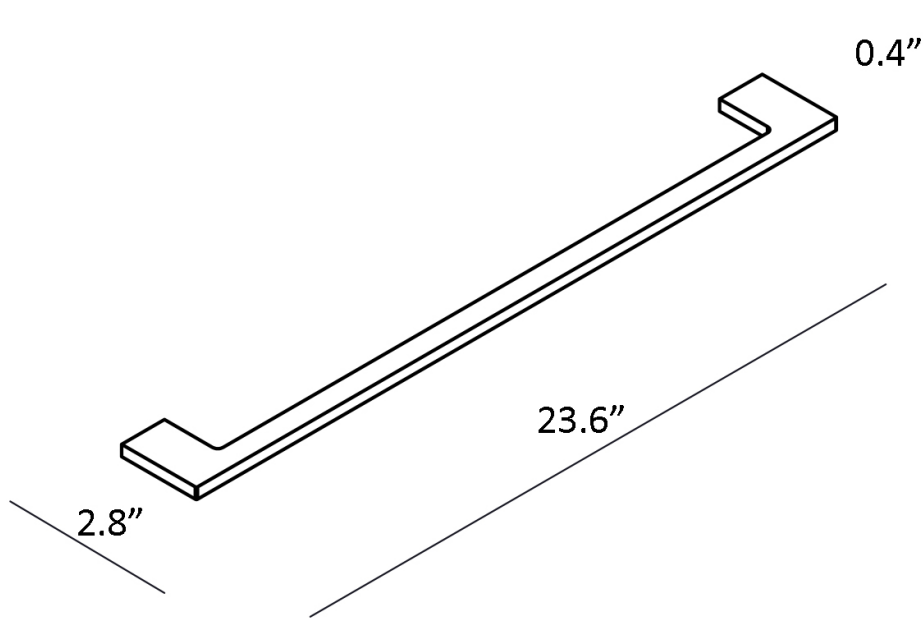
Collection  
Evo-Luna

Model |  
Evo-Luna WSBC 38008

Dimensions Metric  
*1 inch = 2.54 cm*  
*1 inch = 25.4 mm*

**WS**<sup>®</sup>  
**BATH**  
**COLLECTIONS**

1051 Lea Drive - Collegeville, PA 19426  
Tel. 215 513 9400 - Fax 610 831 0215  
[www.ws bathcollections.com](http://www.ws bathcollections.com) - [info@ws bathcollections.com](mailto:info@ws bathcollections.com)



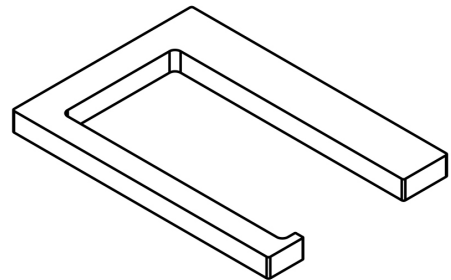
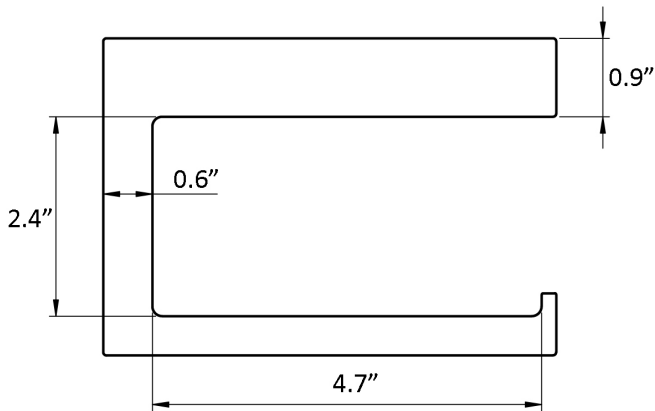
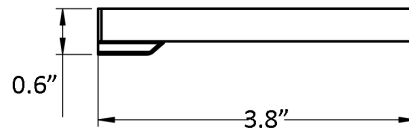
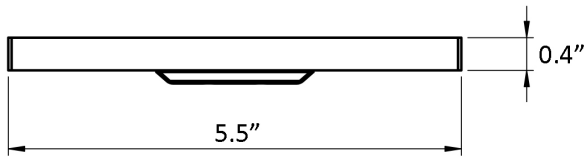
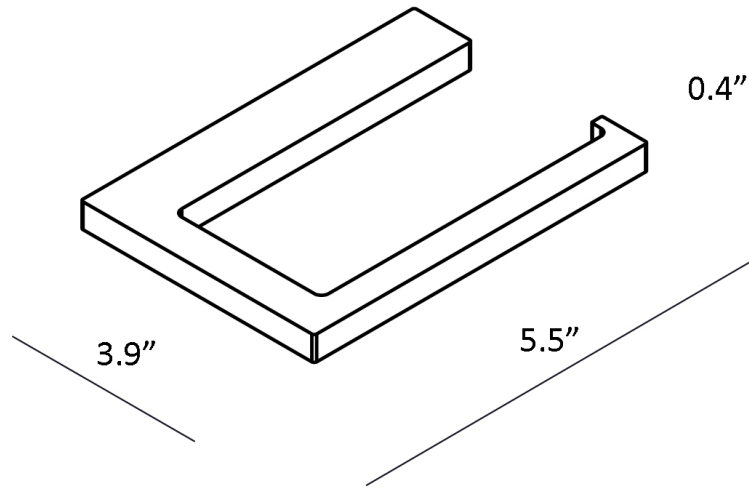
Collection  
Luna

Model |  
Luna WSBC 38012

Dimensions Metric  
1 inch = 2.54 cm  
1 inch = 25.4 mm

**WS**<sup>®</sup>  
BATH  
COLLECTIONS

1051 Lea Drive - Collegeville, PA 19426  
Tel. 215 513 9400 - Fax 610 831 0215  
[www.ws bathcollections.com](http://www.ws bathcollections.com) - [info@ws bathcollections.com](mailto:info@ws bathcollections.com)



Collection  
Nwpc

Model |  
Nwpc'Y UDE'5: 232

Dimensions Metric  
1 inch = 2.54 cm  
1 inch = 25.4 mm

**WS**®  
BATH  
COLLECTIONS

1051 Lea Drive - Collegeville, PA 19426  
Tel. 215 513 9400 - Fax 610 831 0215  
[www.ws bathcollections.com](http://www.ws bathcollections.com) - [info@ws bathcollections.com](mailto:info@ws bathcollections.com)