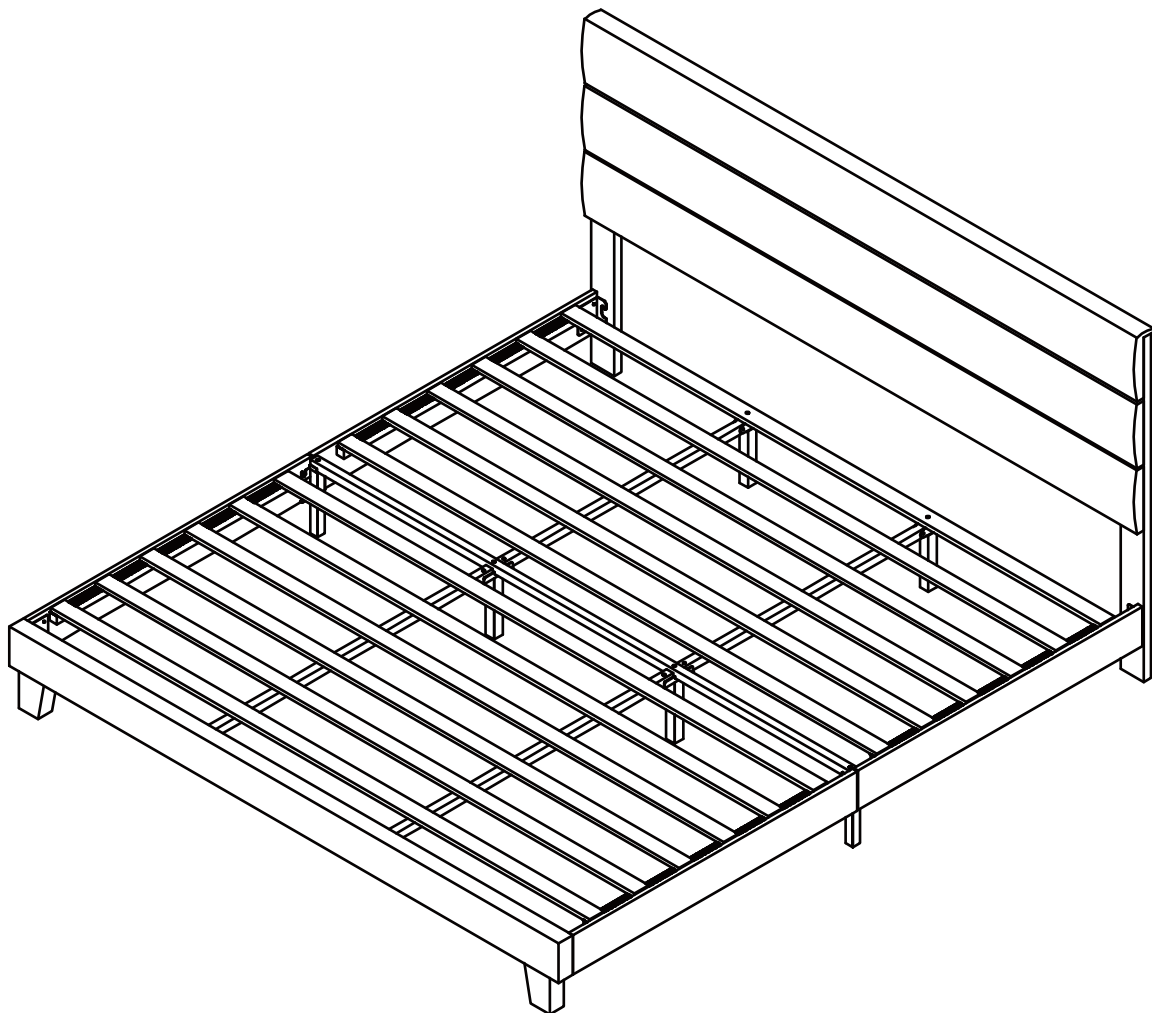


# Platform Bed

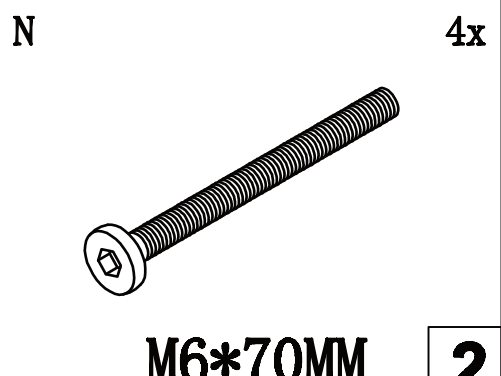
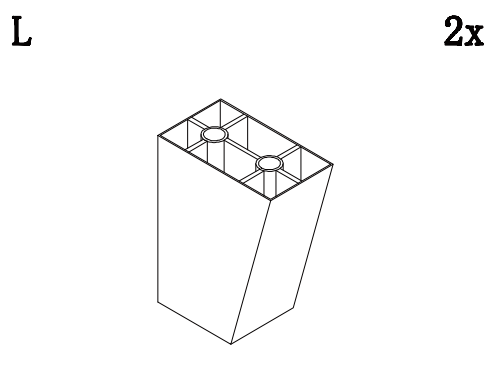
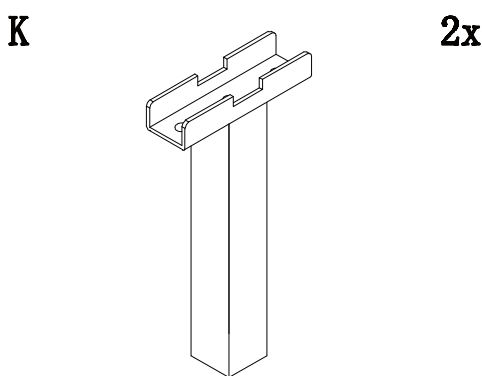
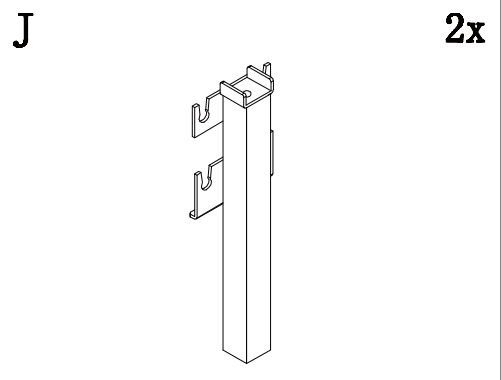
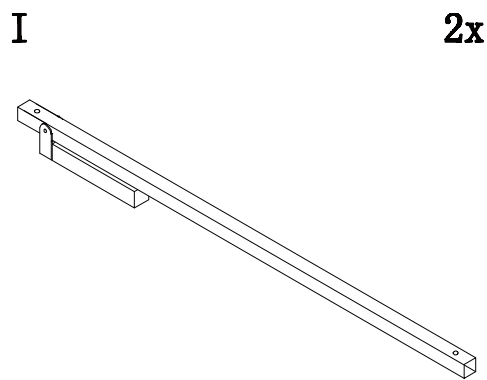
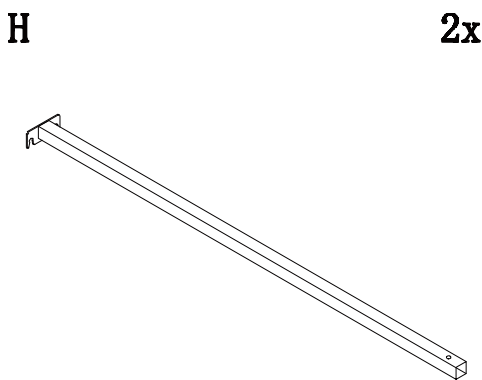
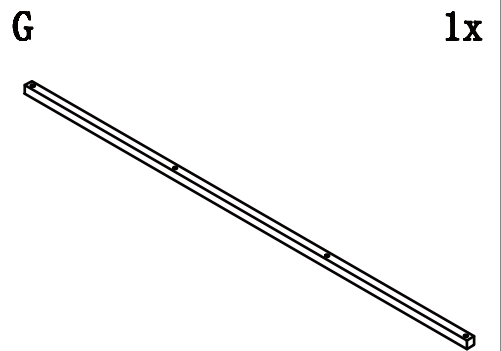
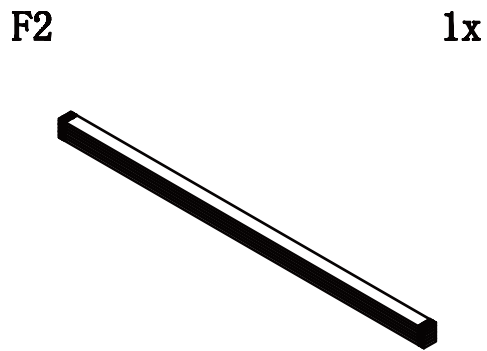
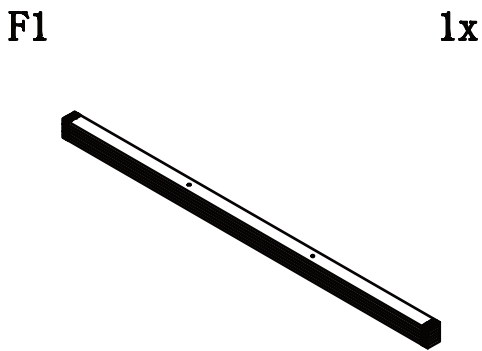
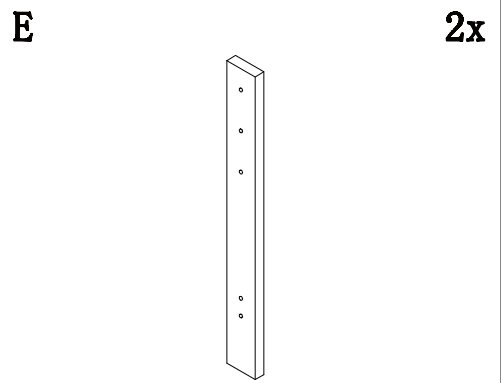
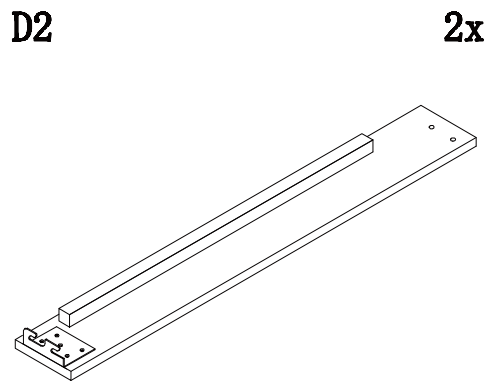
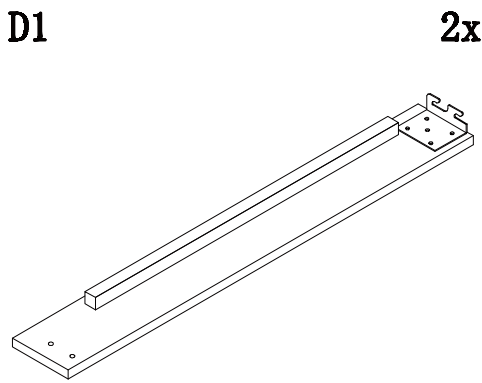
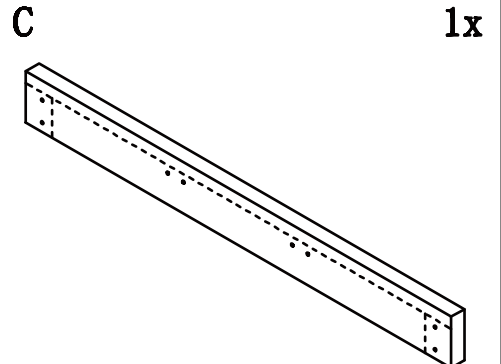
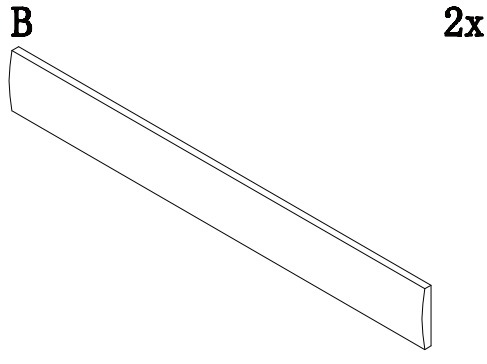
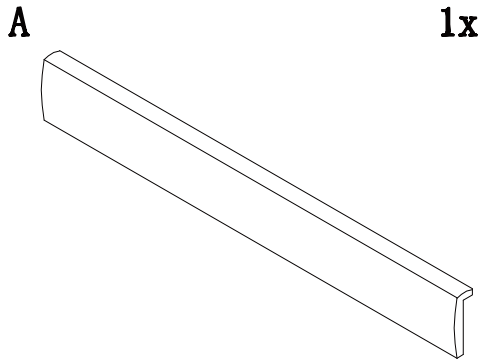
## Original instruction manual



Dear customer,

Thank you for choosing our product, please read this manual carefully before assembling or using the product, to avoid damage caused by improper use. If the product is passed on to third parties, this manual has to be passed on along with the product. For any question don't hesitate to contact us.

# Components

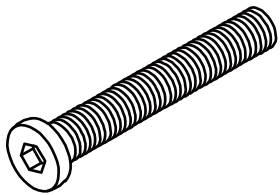


**M6\*70MM**

**2**

0

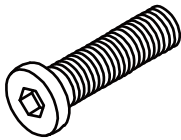
16x



**M8\*50MM**

P

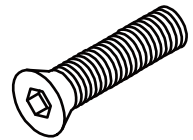
8x



**M8\*30MM**

Q

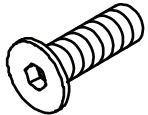
4x



**M8\*30MM**

R

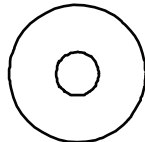
8x



**M8\*15MM**

S

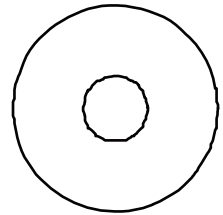
4x



**M6\*ø12MM**

T

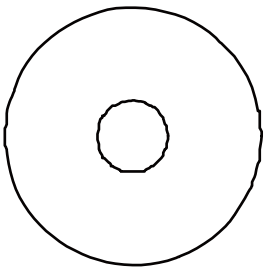
8x



**M8\*ø17MM**

U

16x



**M8\*ø22MM**

V

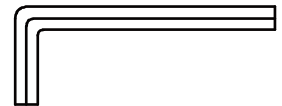
1x



**M6 Spanner**

W

1x



**M8 Spanner**

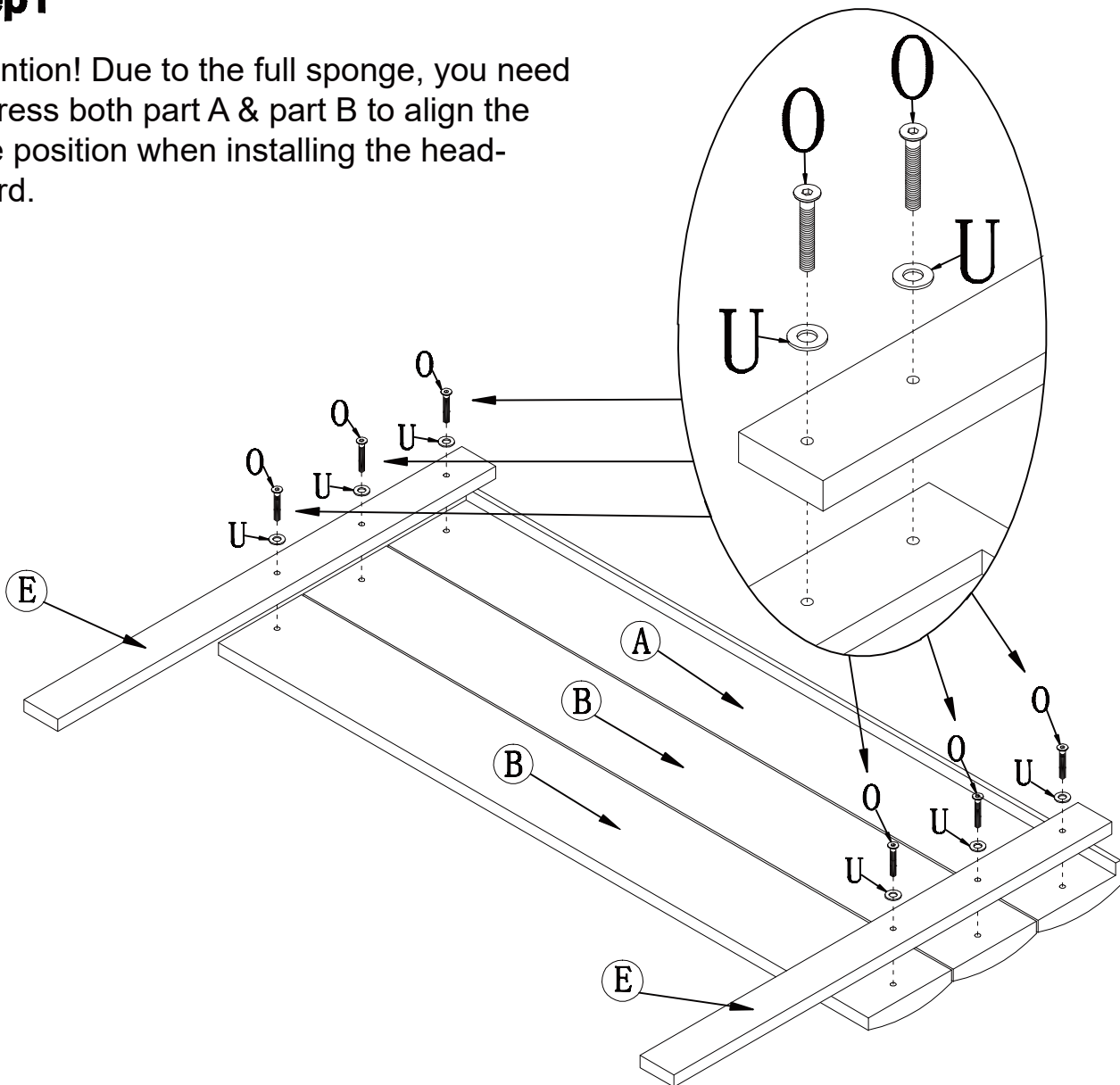
# Assembly

Please check that you have all the parts listed before you start assembling, if you do find that something is missing, do not continue assembly. Please contact us immediately.

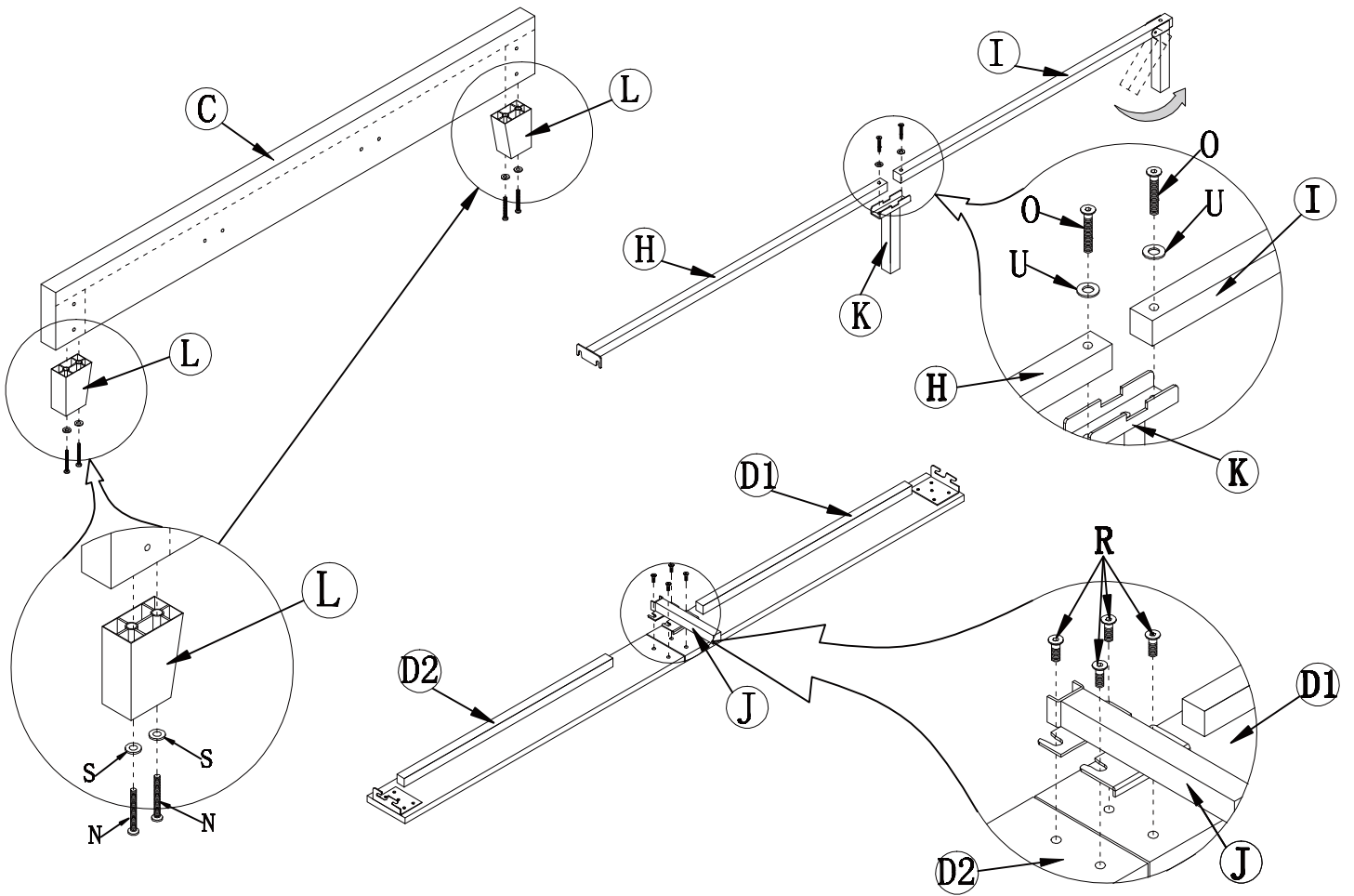
**NOTE: Please do not completely tighten all the hardware until the entire assembly is complete!**

## Step 1

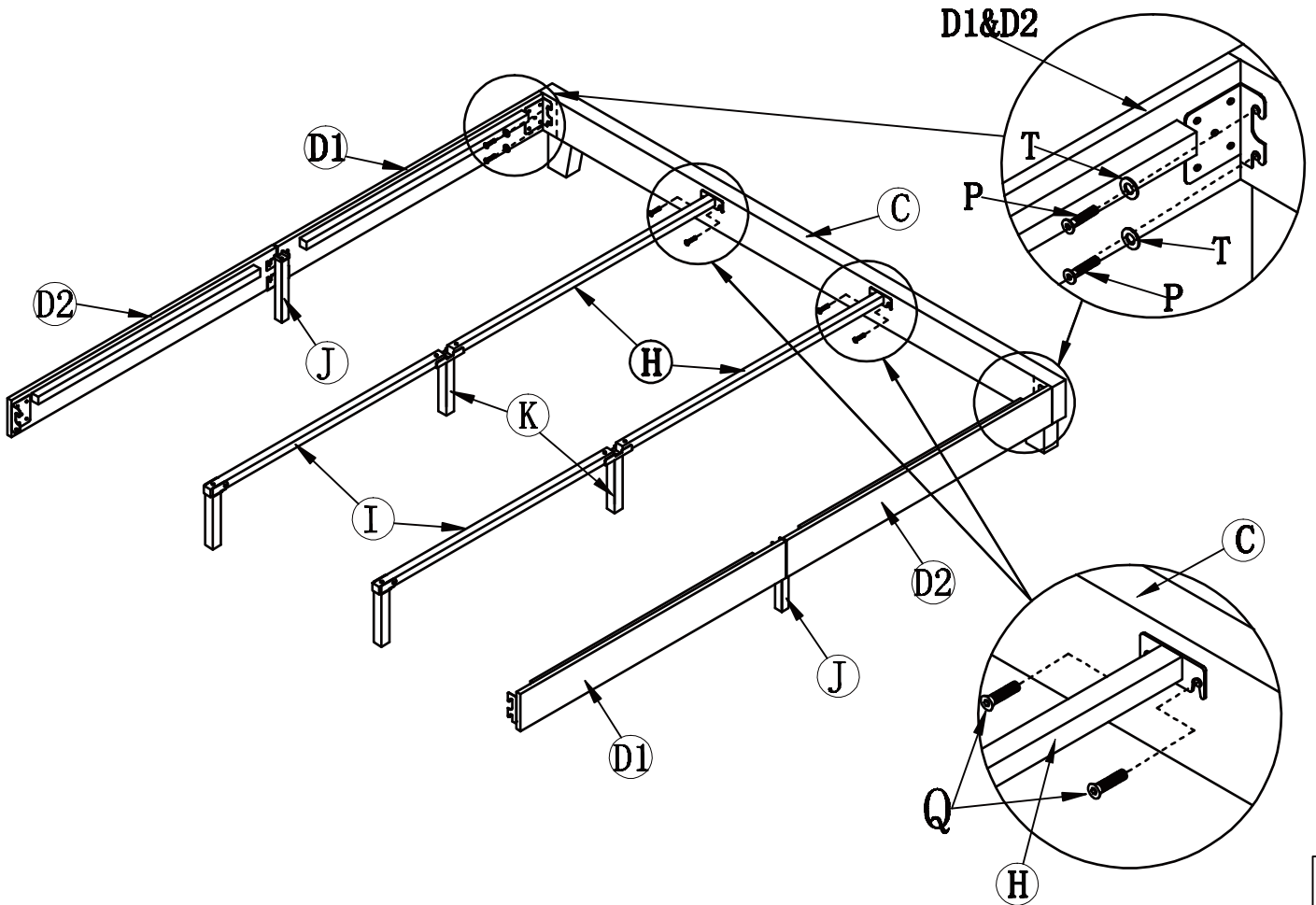
Attention! Due to the full sponge, you need to press both part A & part B to align the hole position when installing the head-board.



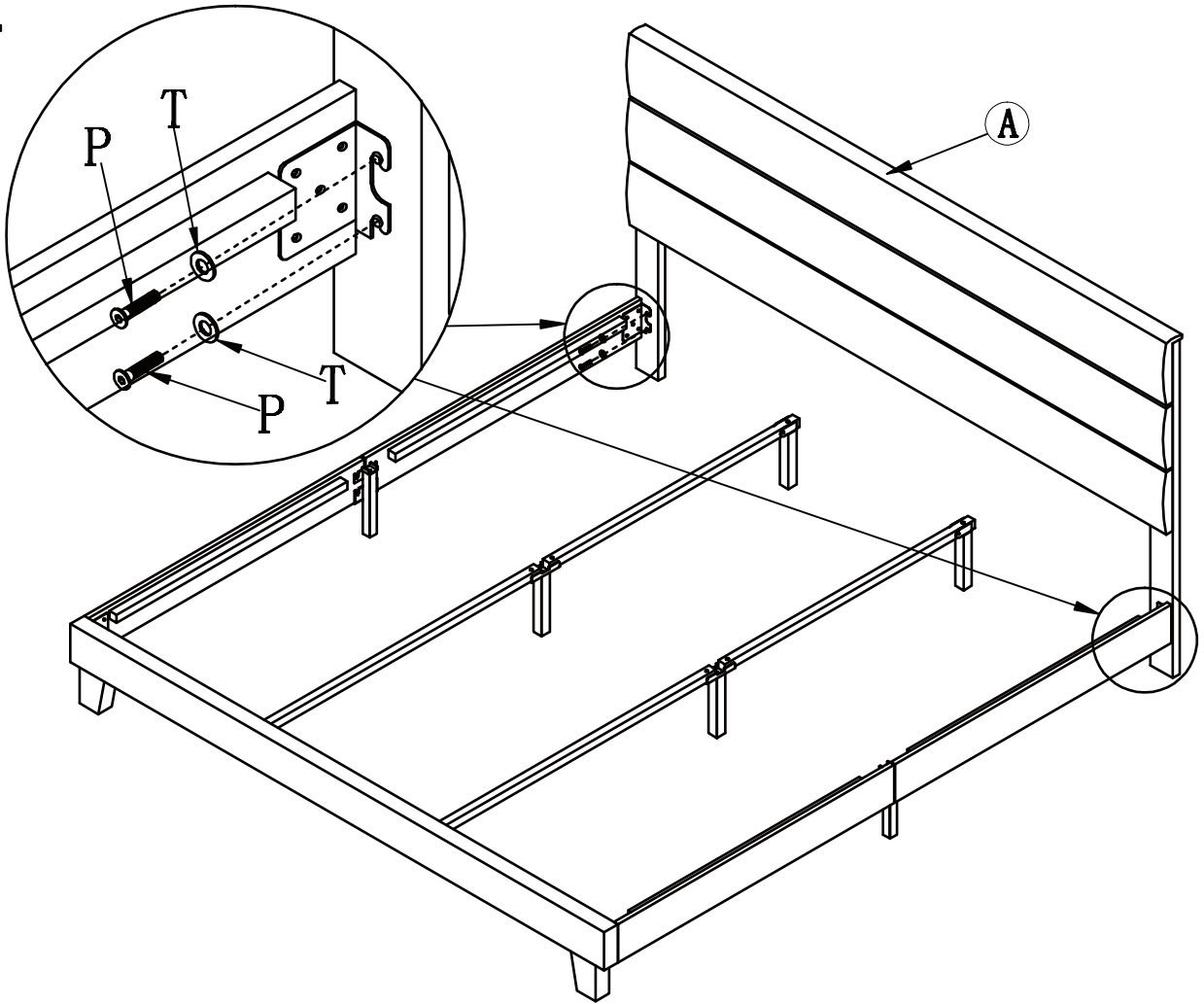
## Step 2



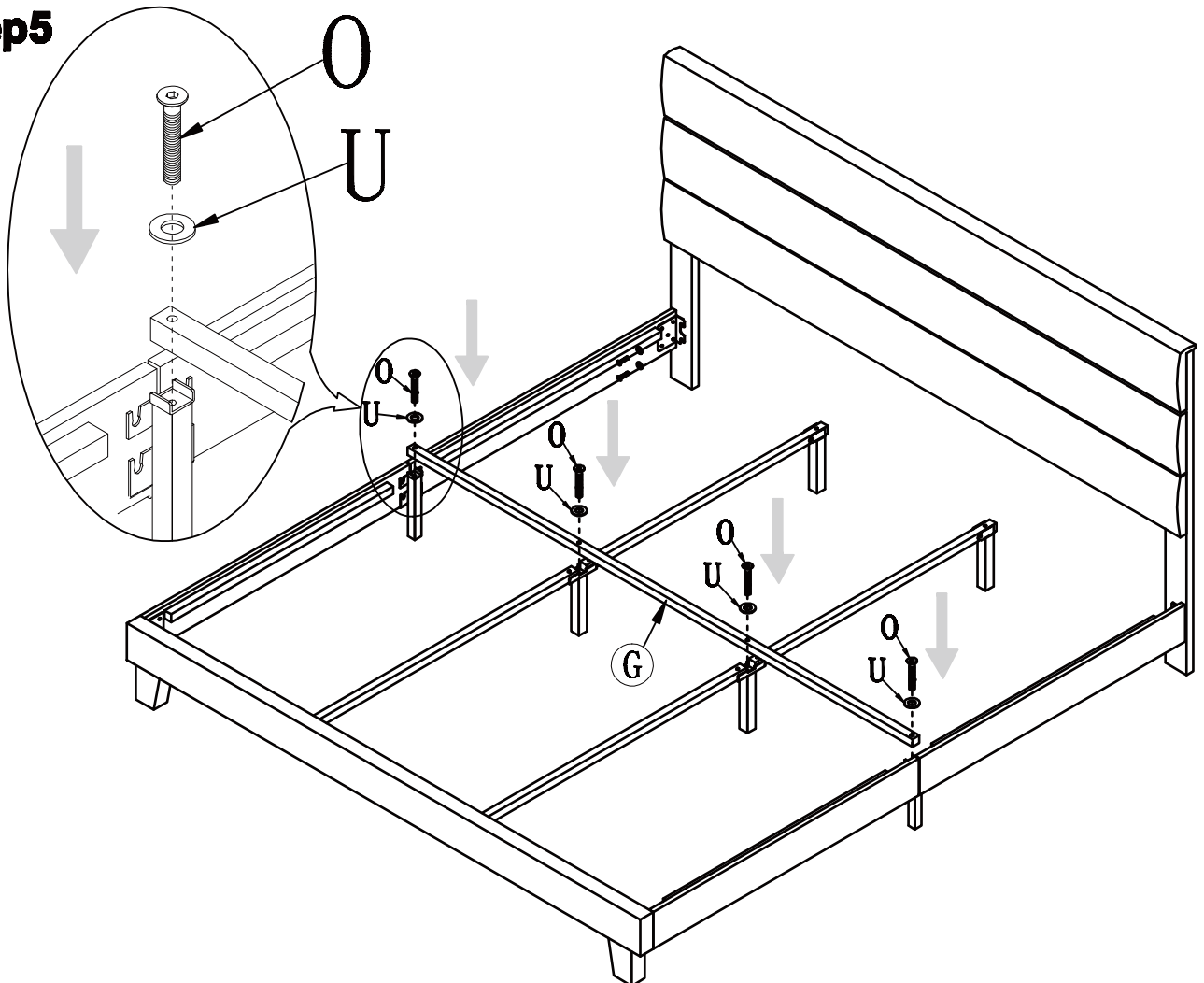
## Step 3



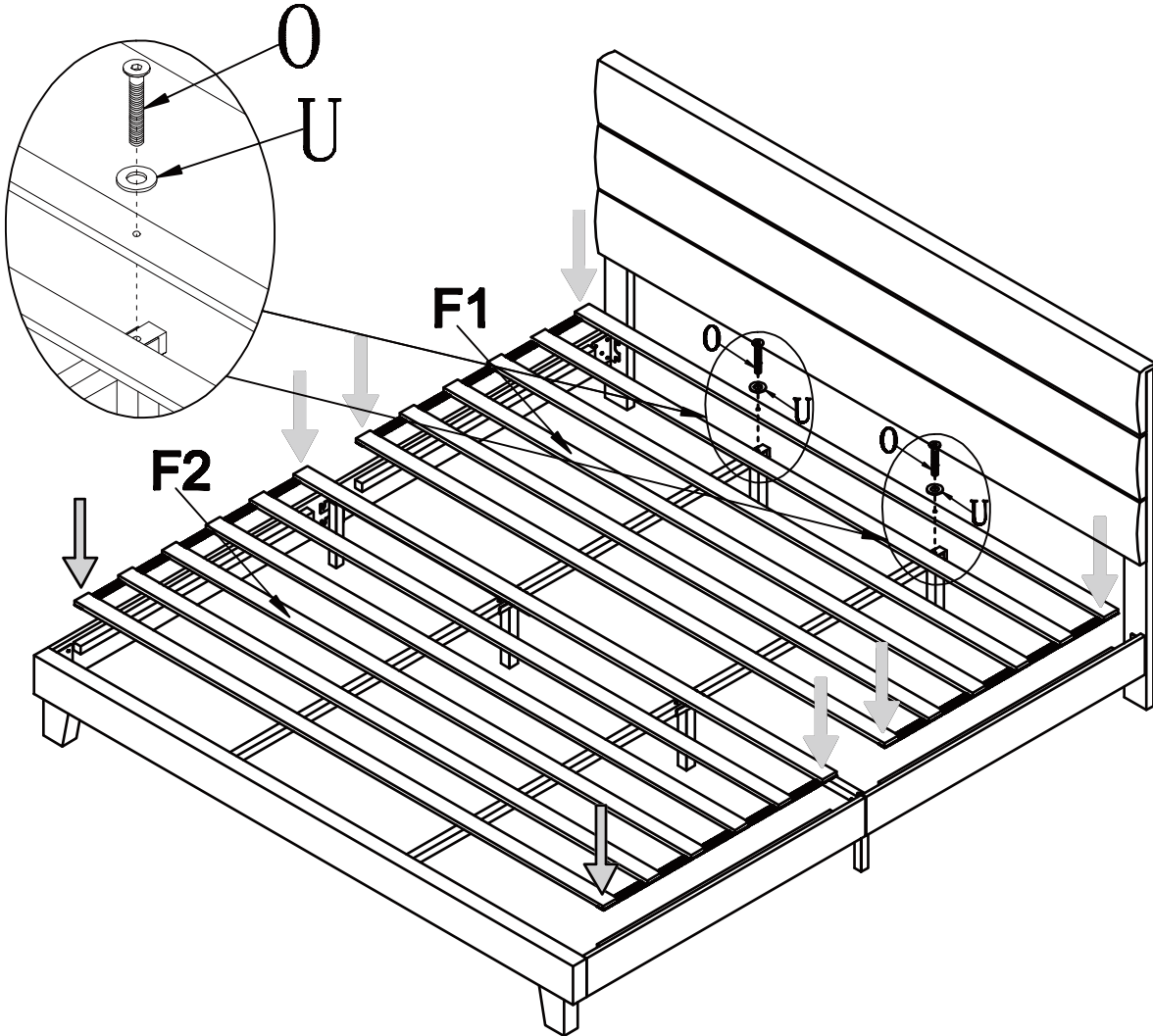
# Step4



# Step5



**Step6**



**Assembly end**