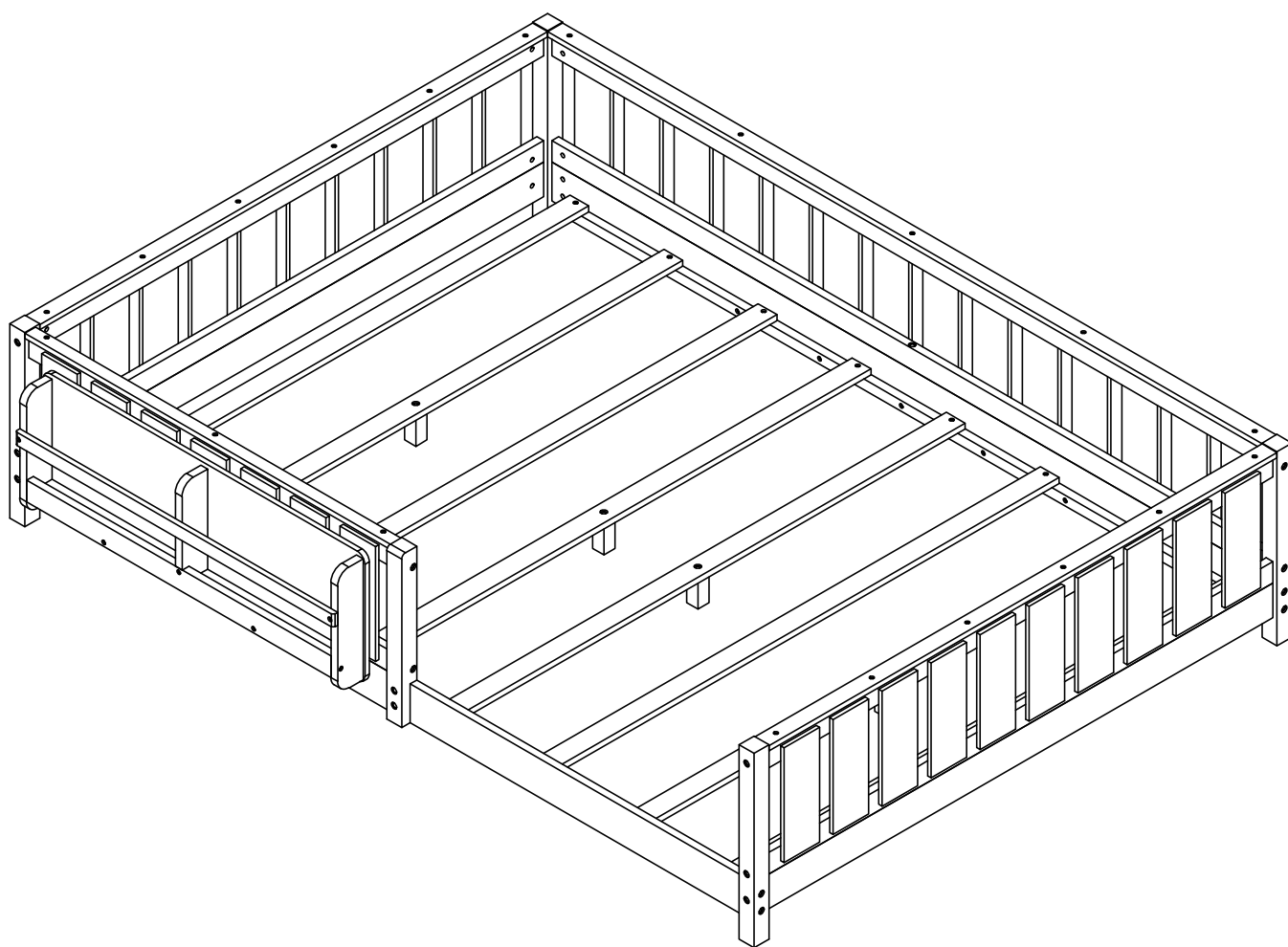


ASSEMBLY INSTRUCTION



Bed type

Full Standard

Length

75"

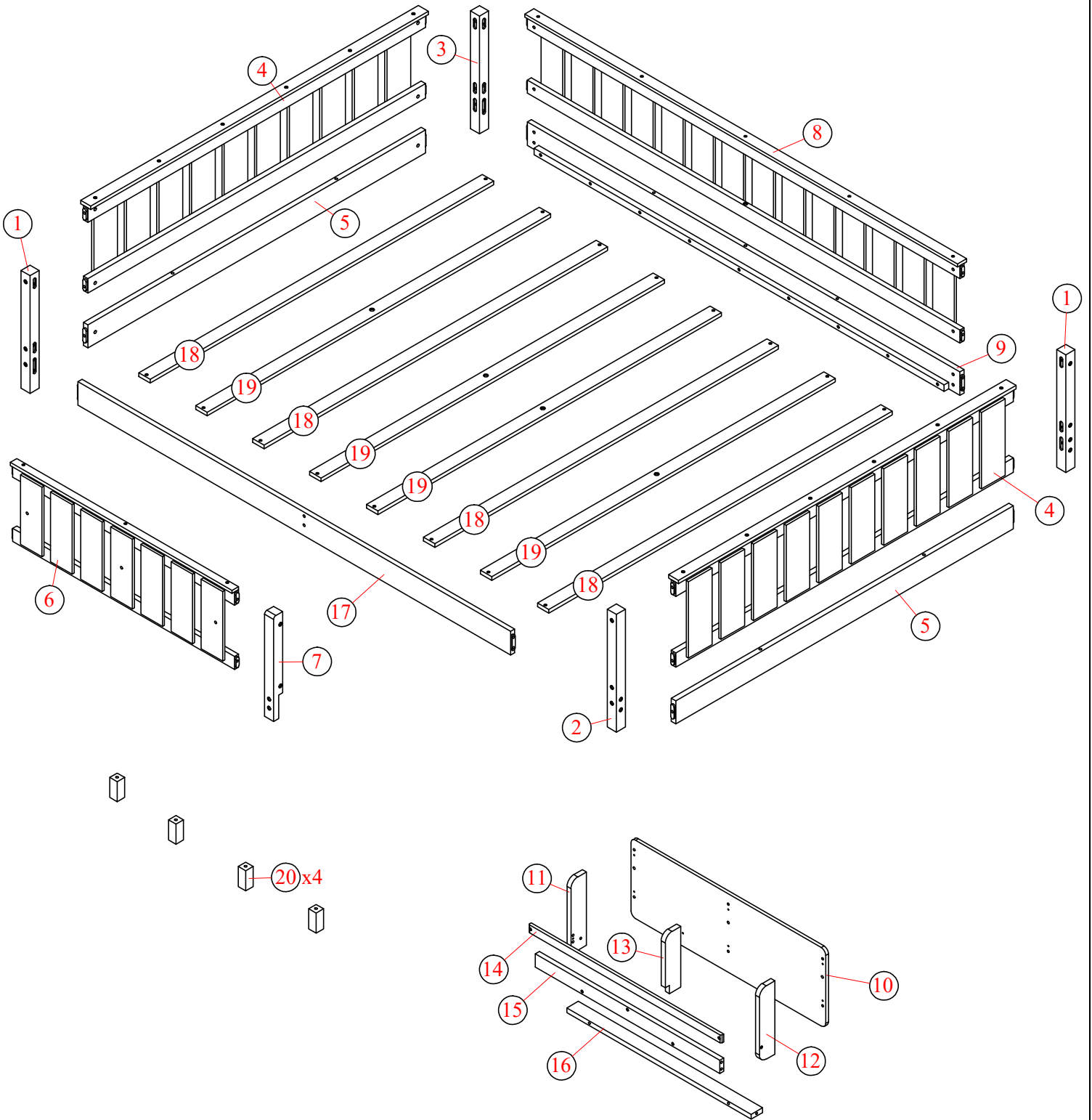
Width

54"

Thickness

6" max

Detail View



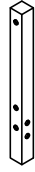
Part List

1



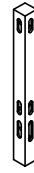
Leg : 2pcs

2



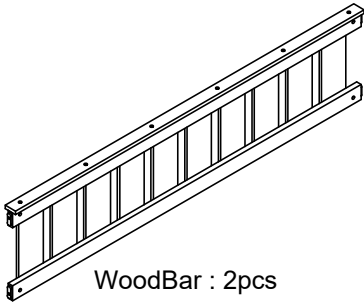
Leg : 1pc

3



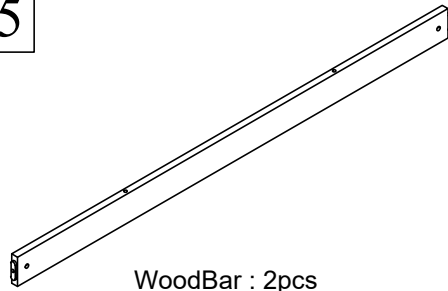
Leg : 1pc

4



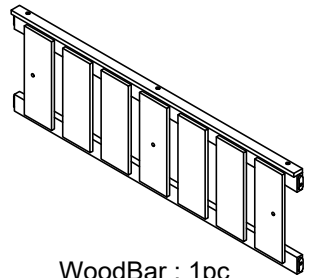
WoodBar : 2pcs

5



WoodBar : 2pcs

6



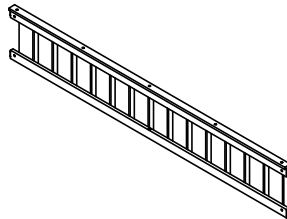
WoodBar : 1pc

7



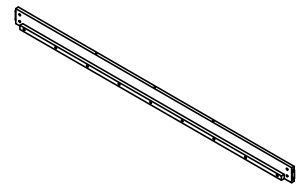
WoodBar : 1pc

8



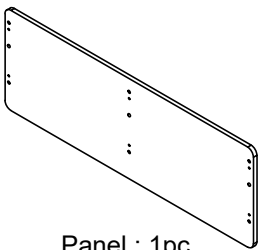
WoodBar : 1pc

9



Side Rail : 1pc

10



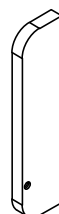
Panel : 1pc

11



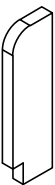
WoodBar : 1pc

12



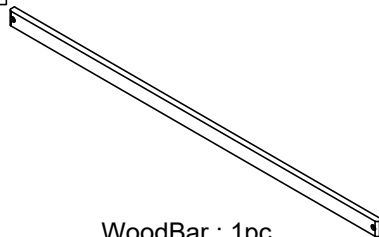
WoodBar : 1pc

13



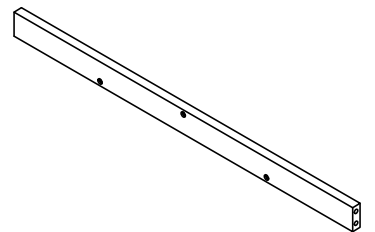
WoodBar : 1pc

14



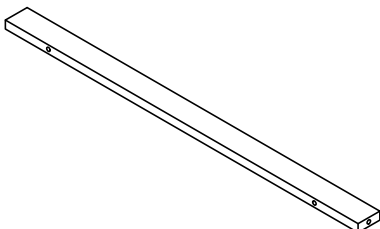
WoodBar : 1pc

15



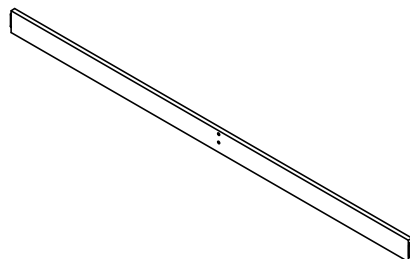
WoodBar : 1pc

16



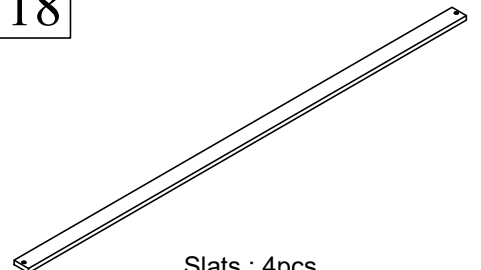
WoodBar : 1pc

17



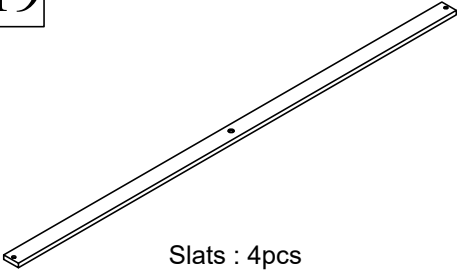
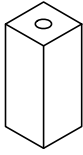
Side Rail : 1pc

18

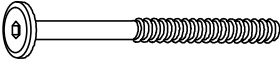


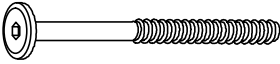


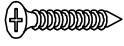

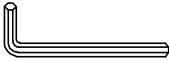


Slats : 4pcs

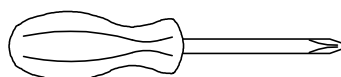
Part List

<div style="border: 1px solid black; padding: 5px; display: inline-block; margin-bottom: 5px;">19</div>  <p style="text-align: center;">Slats : 4pcs</p>	<div style="border: 1px solid black; padding: 5px; display: inline-block; margin-bottom: 5px;">20</div>  <p style="text-align: center;">Leg : 4pcs</p>
---	--



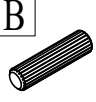
Hardware List

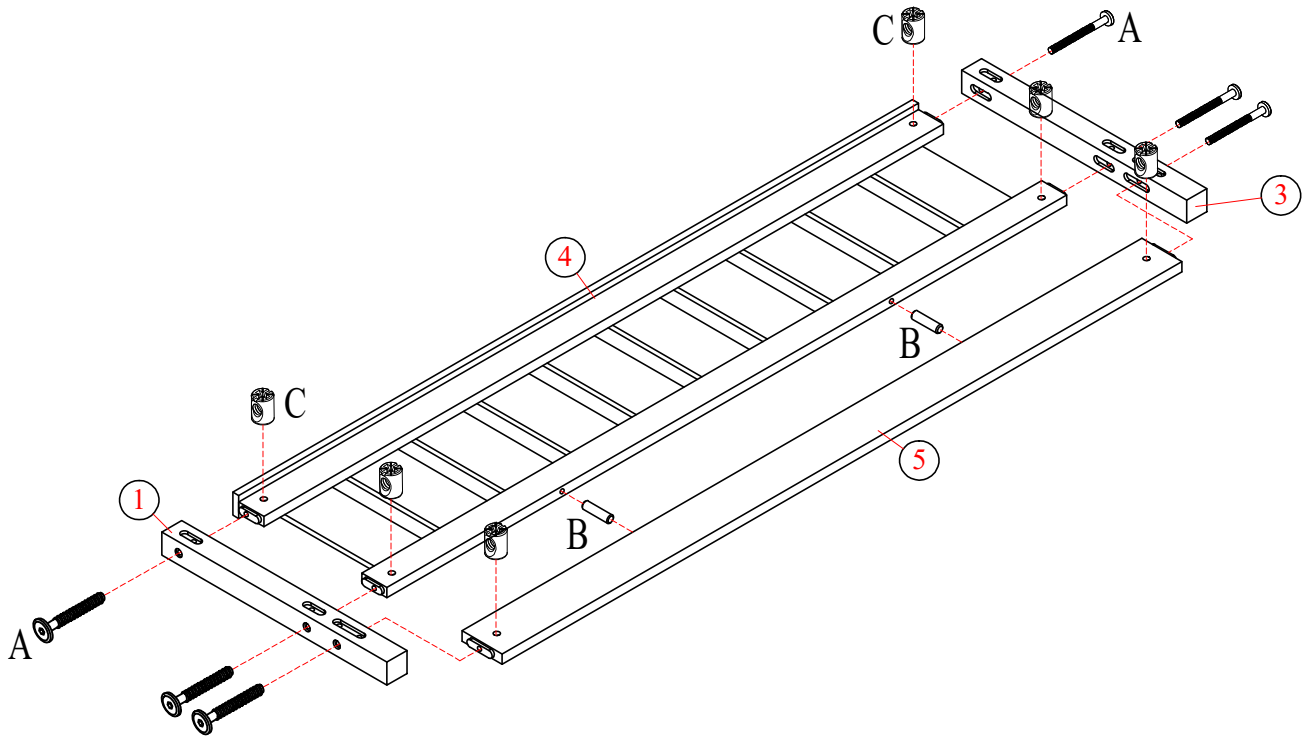
<div style="border: 1px solid black; padding: 5px; display: inline-block; margin-bottom: 5px;">A</div>  <p style="text-align: center;">Ø1/4" x 80mm Hex-head bolt (28pcs)</p>	<div style="border: 1px solid black; padding: 5px; display: inline-block; margin-bottom: 5px;">B</div>  <p style="text-align: center;">Ø8 x 30mm Wood dowel (20pcs)</p>	<div style="border: 1px solid black; padding: 5px; display: inline-block; margin-bottom: 5px;">C</div>  <p style="text-align: center;">Ø1/4" x 13mm Horizontal-hole bolt (28pcs)</p>
<div style="border: 1px solid black; padding: 5px; display: inline-block; margin-bottom: 5px;">D</div>  <p style="text-align: center;">Ø1/4" x 60mm Hex-head bolt (1pc)</p>	<div style="border: 1px solid black; padding: 5px; display: inline-block; margin-bottom: 5px;">E</div>  <p style="text-align: center;">Ø1/4" x 30mm Hex-head bolt (6pcs)</p>	<div style="border: 1px solid black; padding: 5px; display: inline-block; margin-bottom: 5px;">F</div>  <p style="text-align: center;">Ø1/4" x 15mm Sleeve nuts (2pcs)</p>
<div style="border: 1px solid black; padding: 5px; display: inline-block; margin-bottom: 5px;">G</div>  <p style="text-align: center;">#4 x 30mm Screw (30pcs)</p>	<div style="border: 1px solid black; padding: 5px; display: inline-block; margin-bottom: 5px;">H</div>  <p style="text-align: center;">Ø1/4" x 20mm Hex-head bolt (3pcs)</p>	<div style="border: 1px solid black; padding: 5px; display: inline-block; margin-bottom: 5px;">I</div>  <p style="text-align: center;">K4mm Allen key (1pc)</p>

ASSEMBLY TOOLS REQUIRED (NOT INCLUDED)



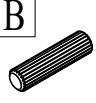


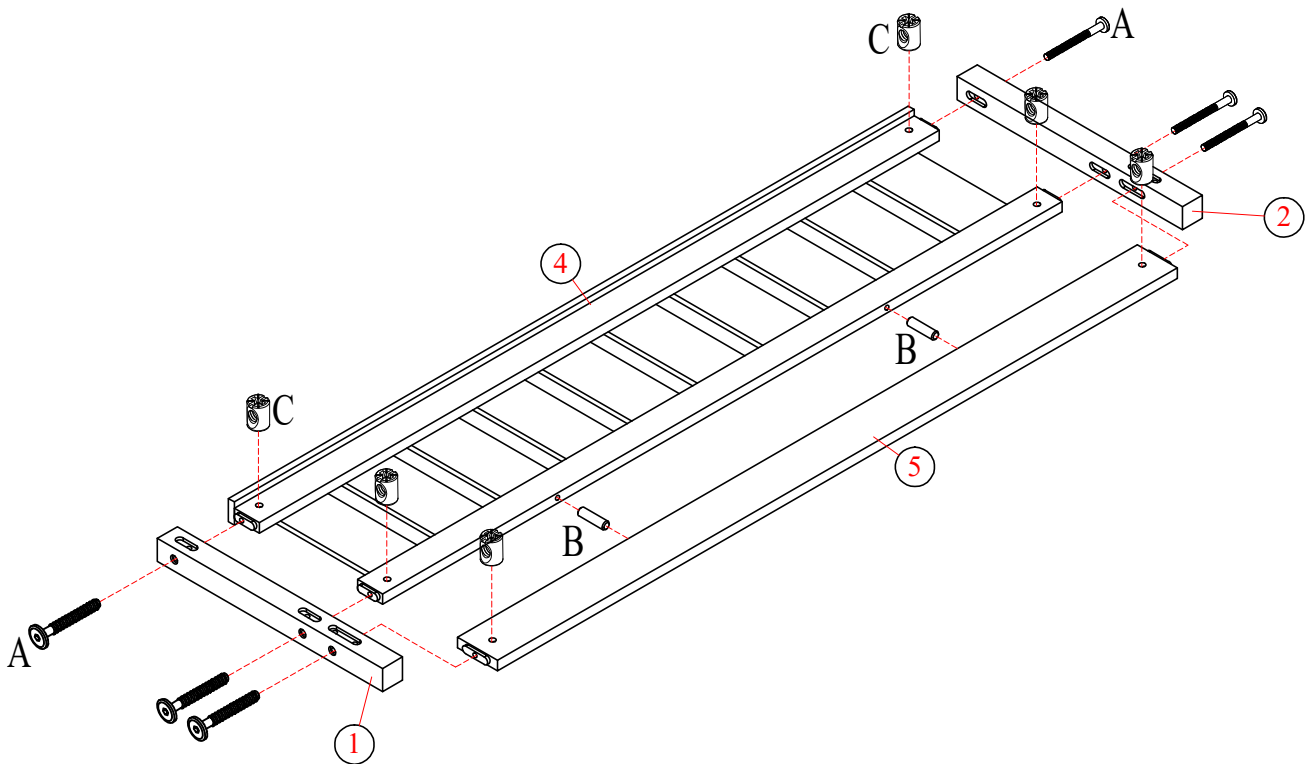
STEP- 1

A	C	B
		
6PCS	6PCS	2PCS

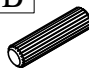



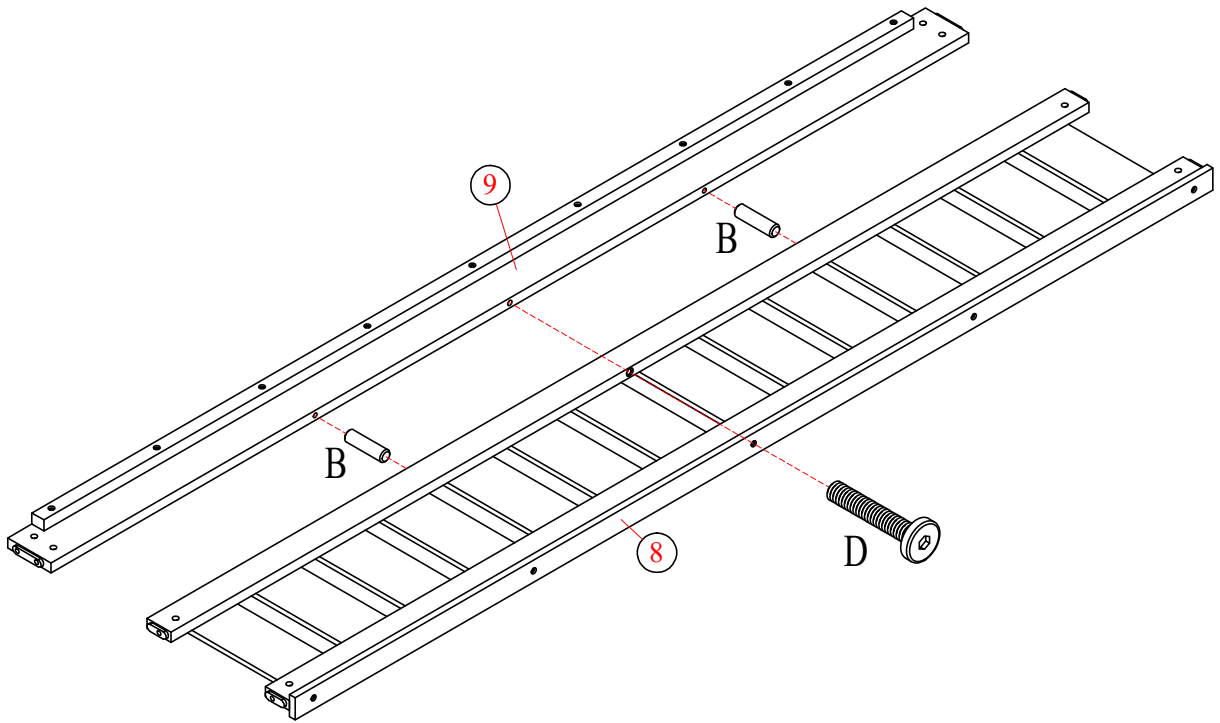
STEP- 2

A	C	B
		
6PCS	6PCS	2PCS





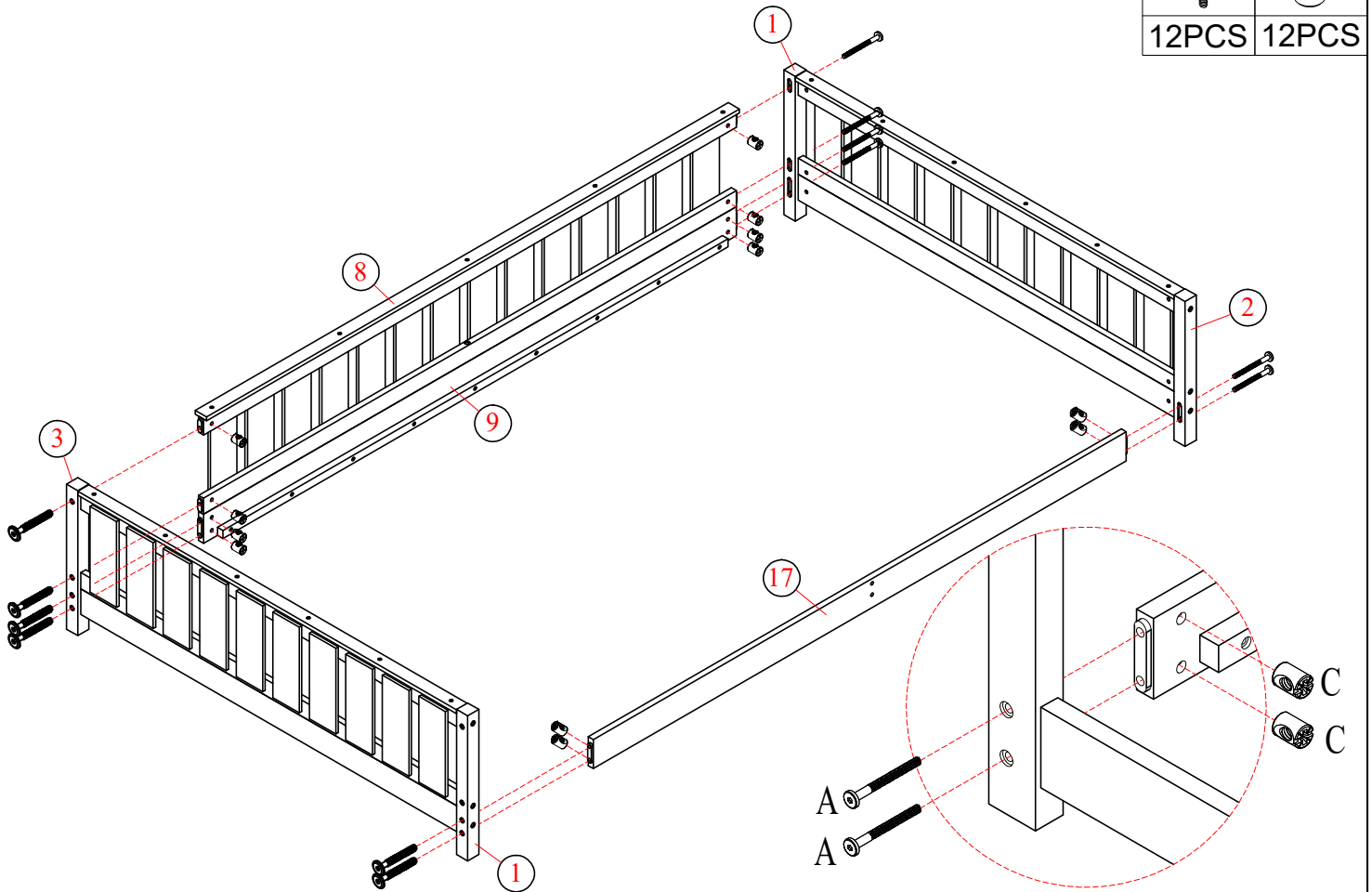
STEP- 3

B	D
	
2PCS	1PC





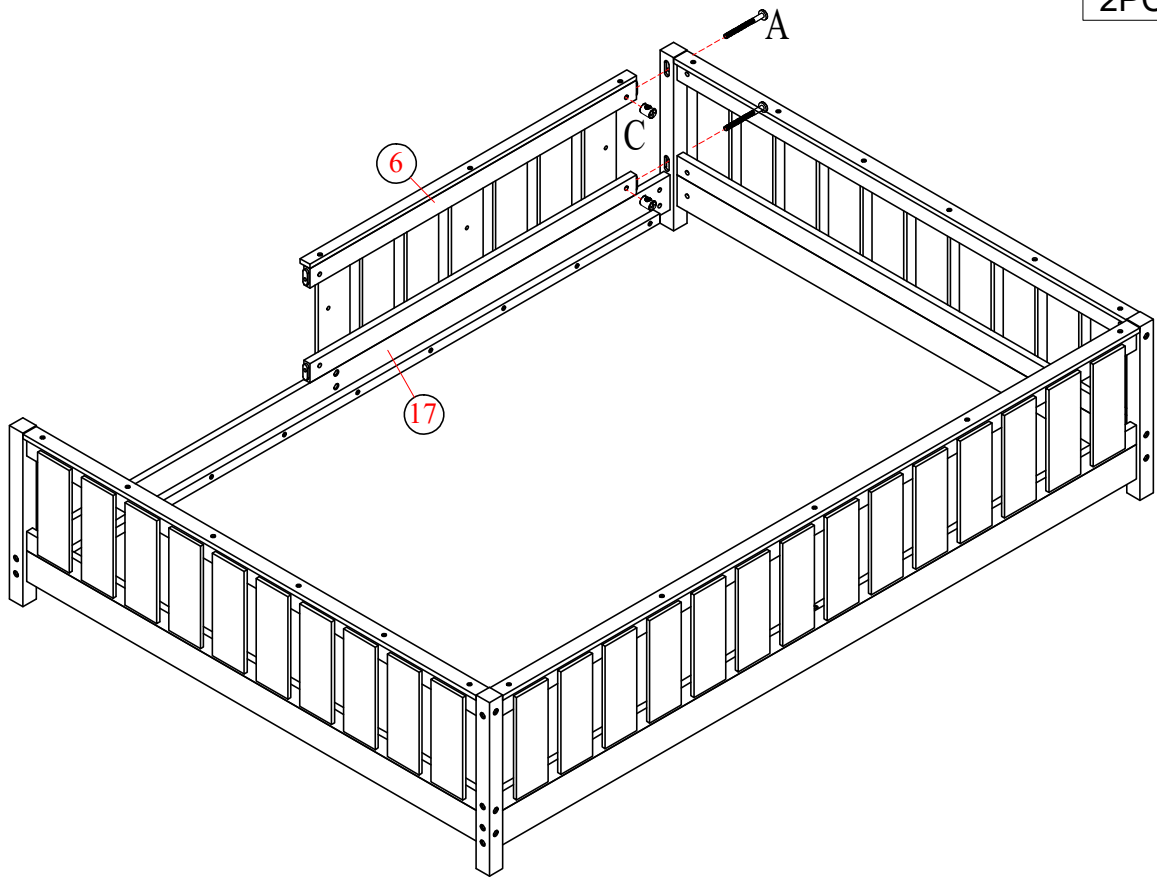
STEP- 4

A	C
	
12PCS	12PCS





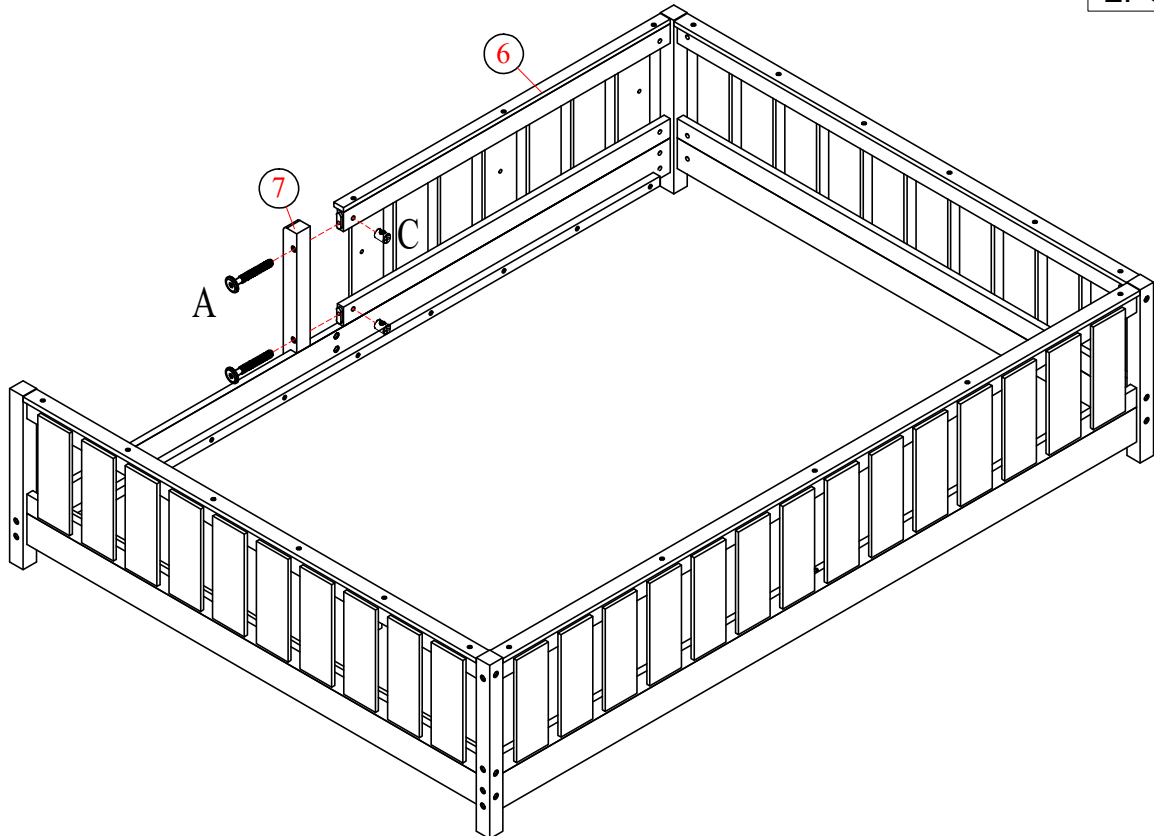
STEP- 5

A		C	
	2PCS		2PCS





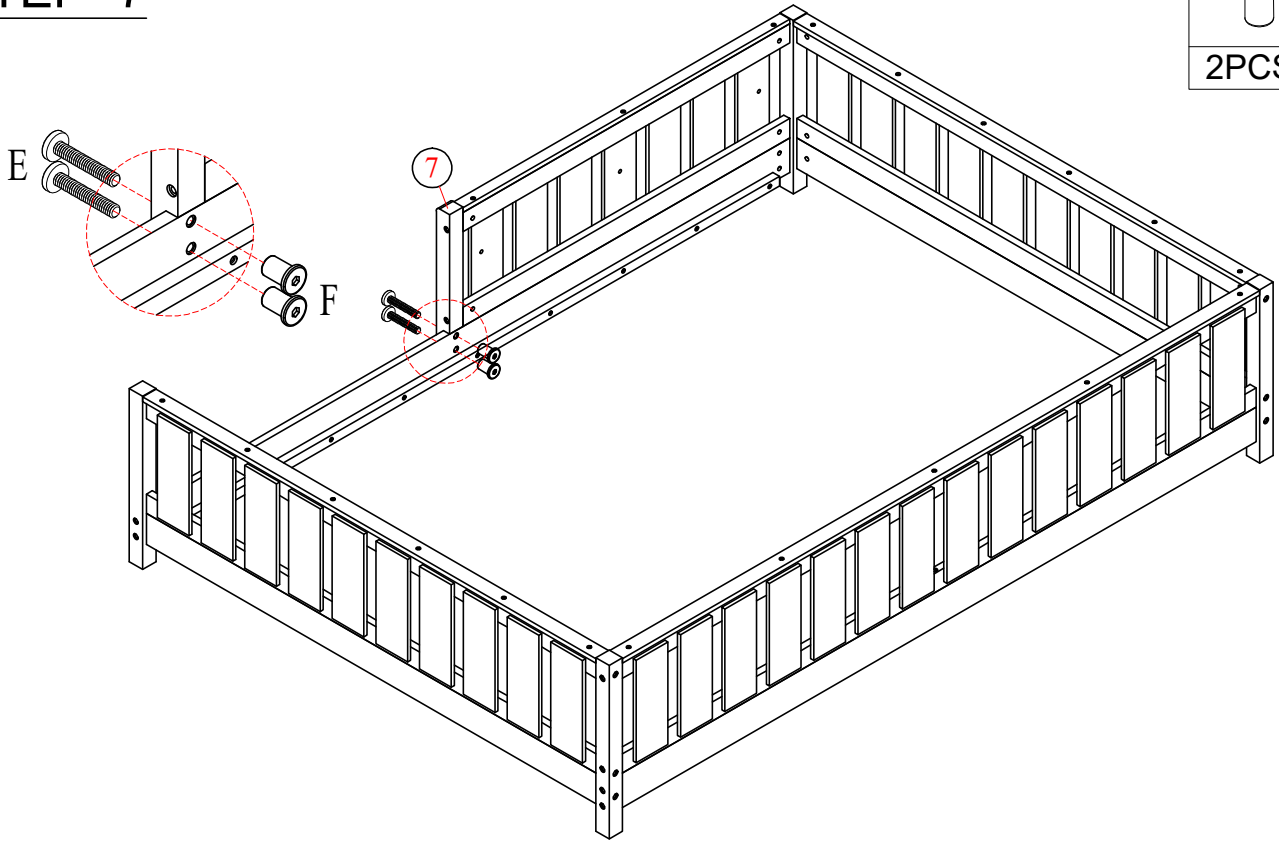
STEP- 6

A		C	
	2PCS		2PCS





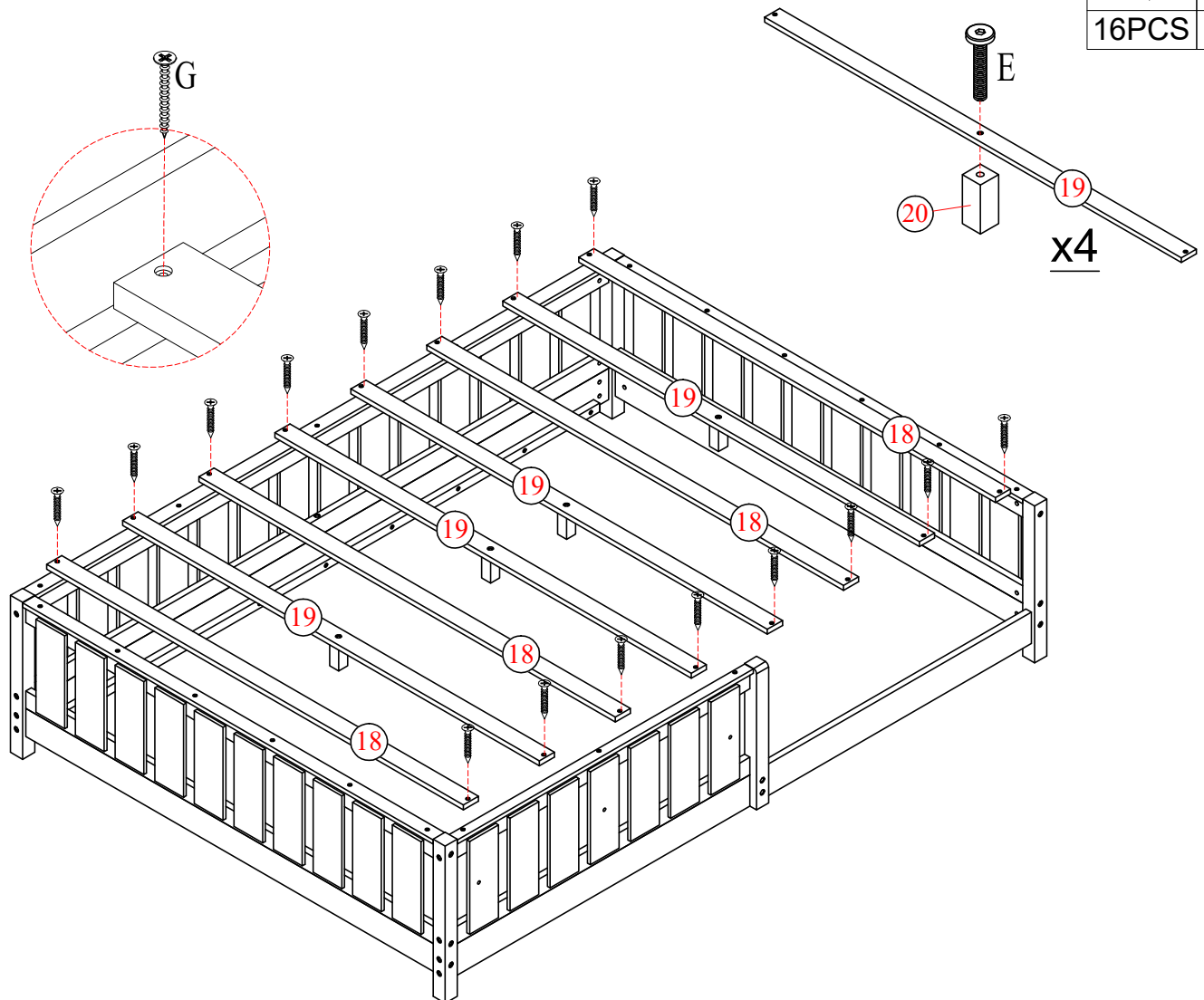
STEP- 7

F		E	
2PCS		2PCS	

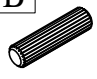



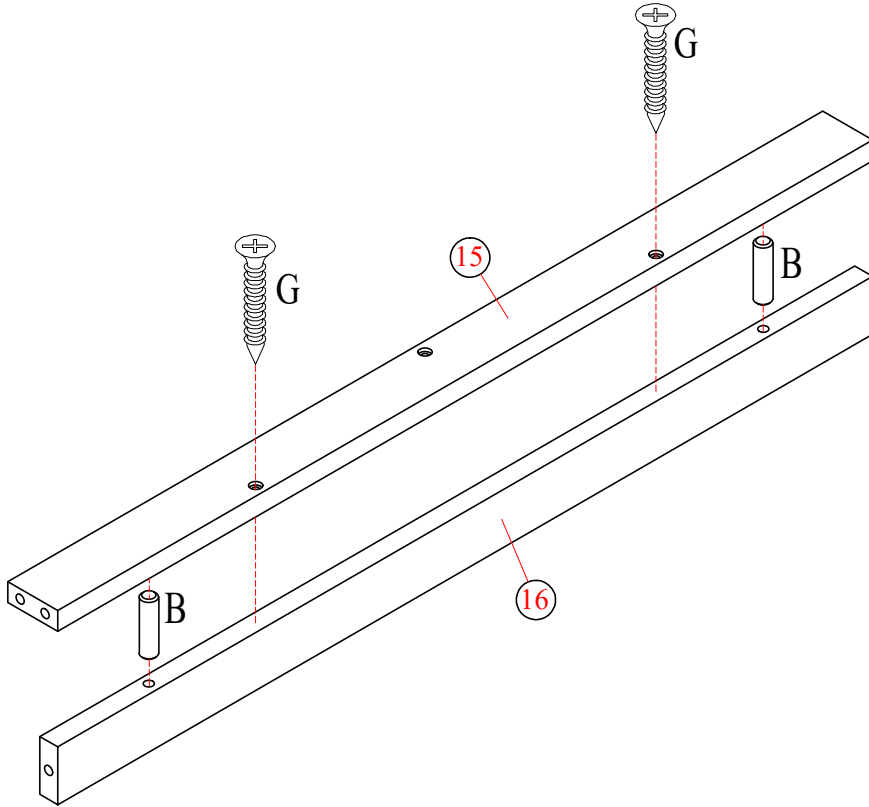
STEP- 8

G		E	
16PCS		4PCS	

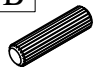



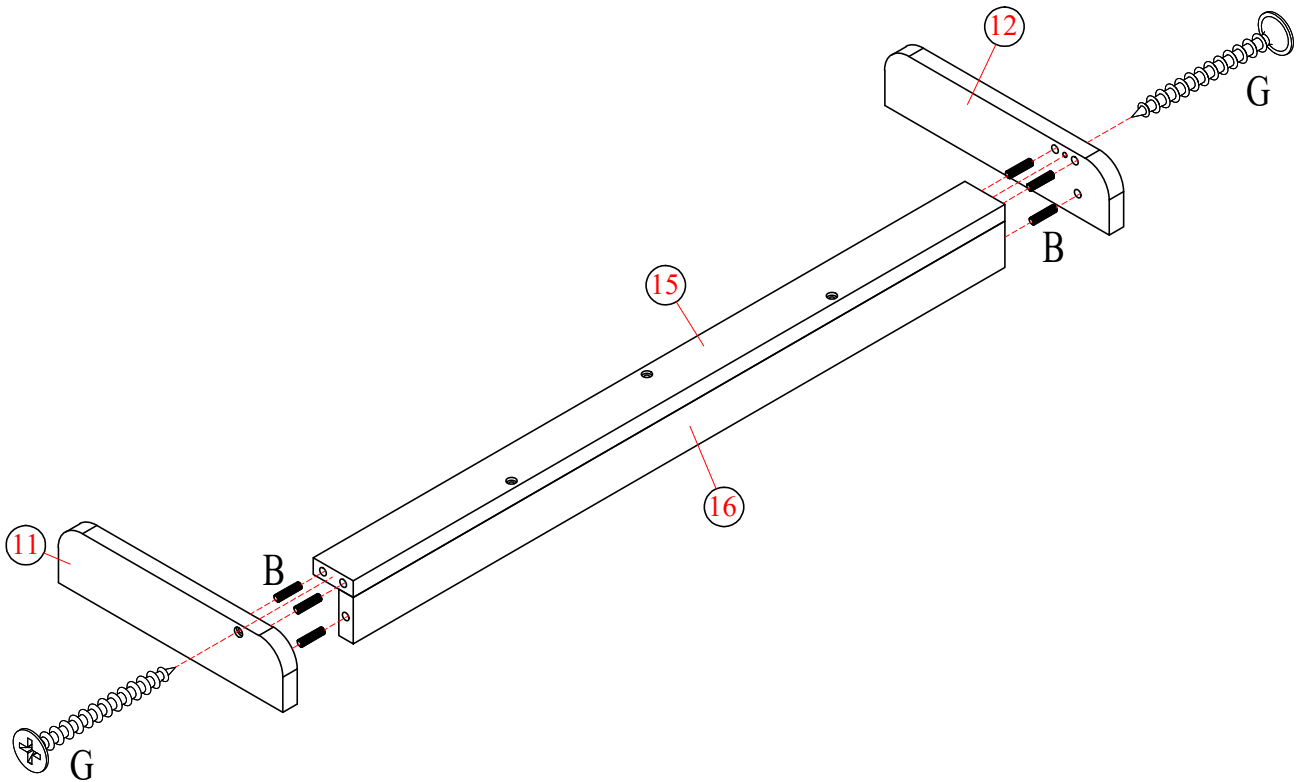
STEP- 9

B	G
	
2PCS	2PCS

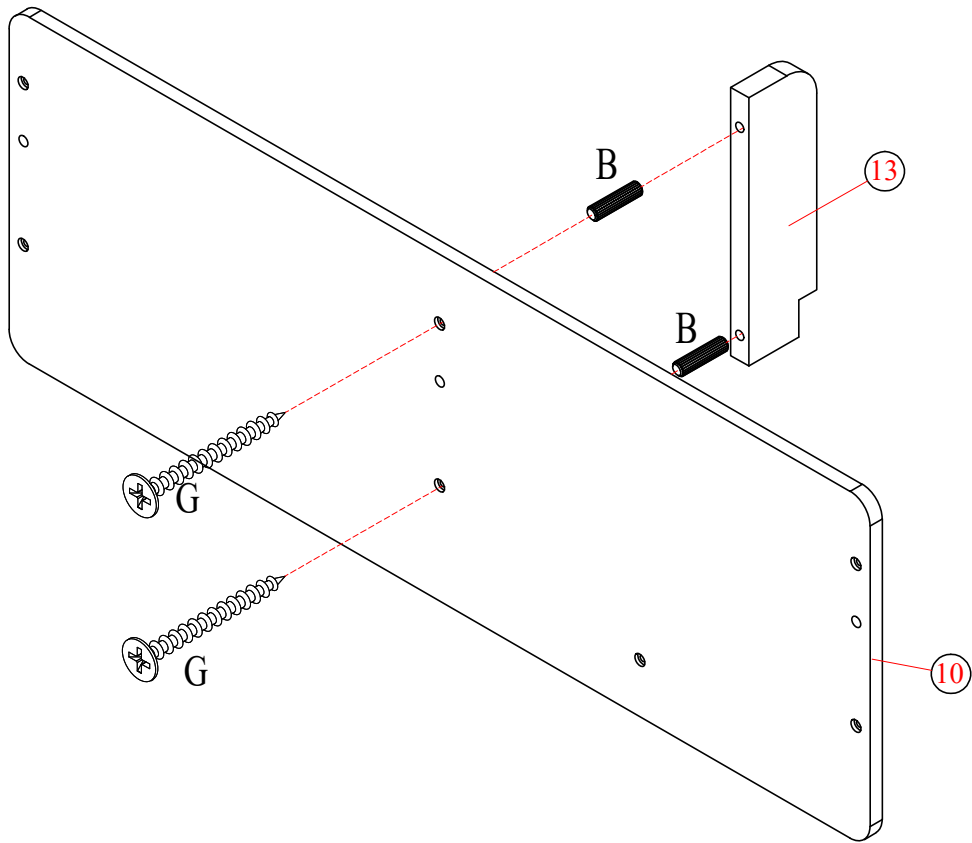


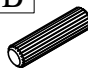

STEP- 10

B	G
	
6PCS	2PCS

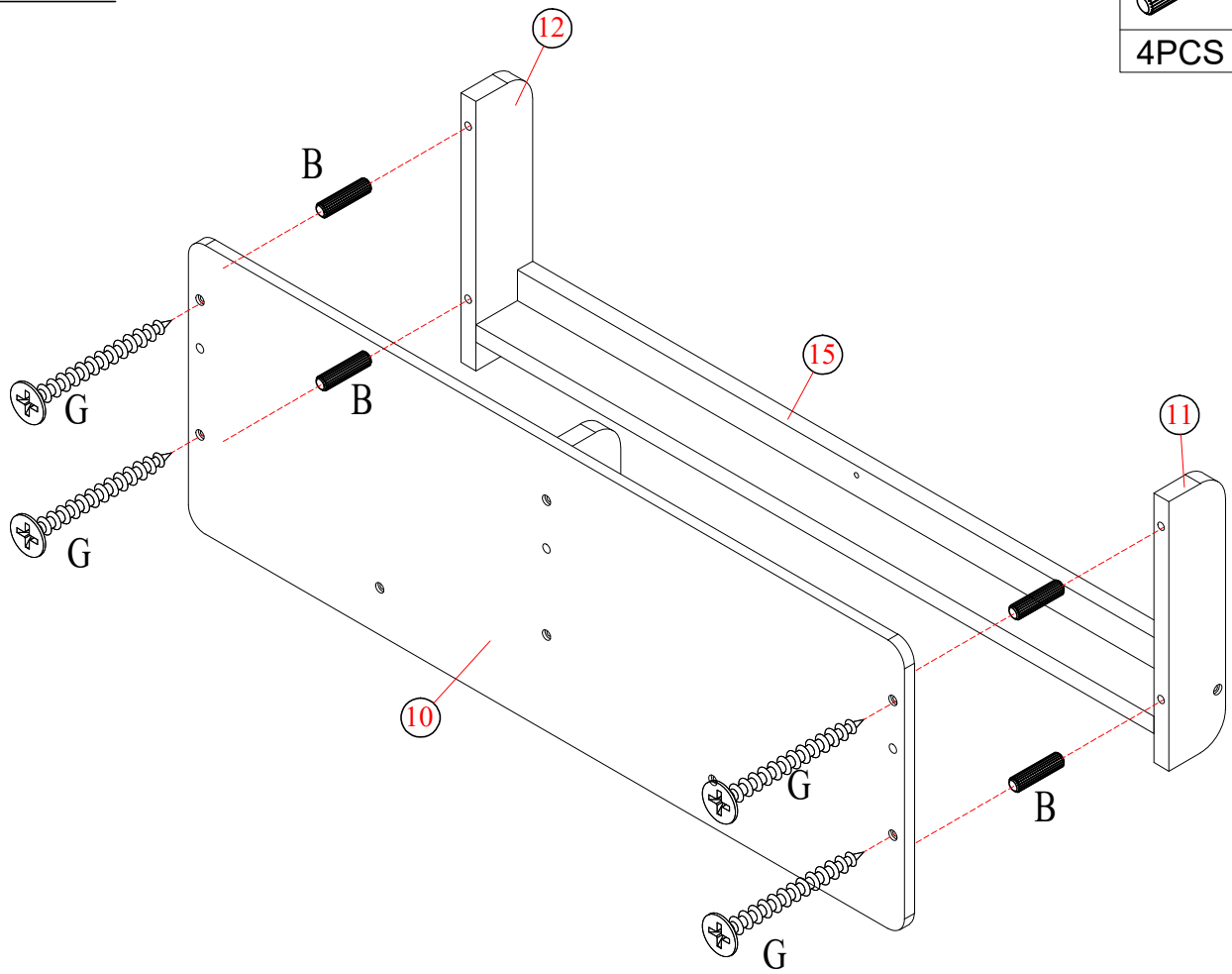


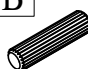

STEP- 11



B	G
	
2PCS	2PCS

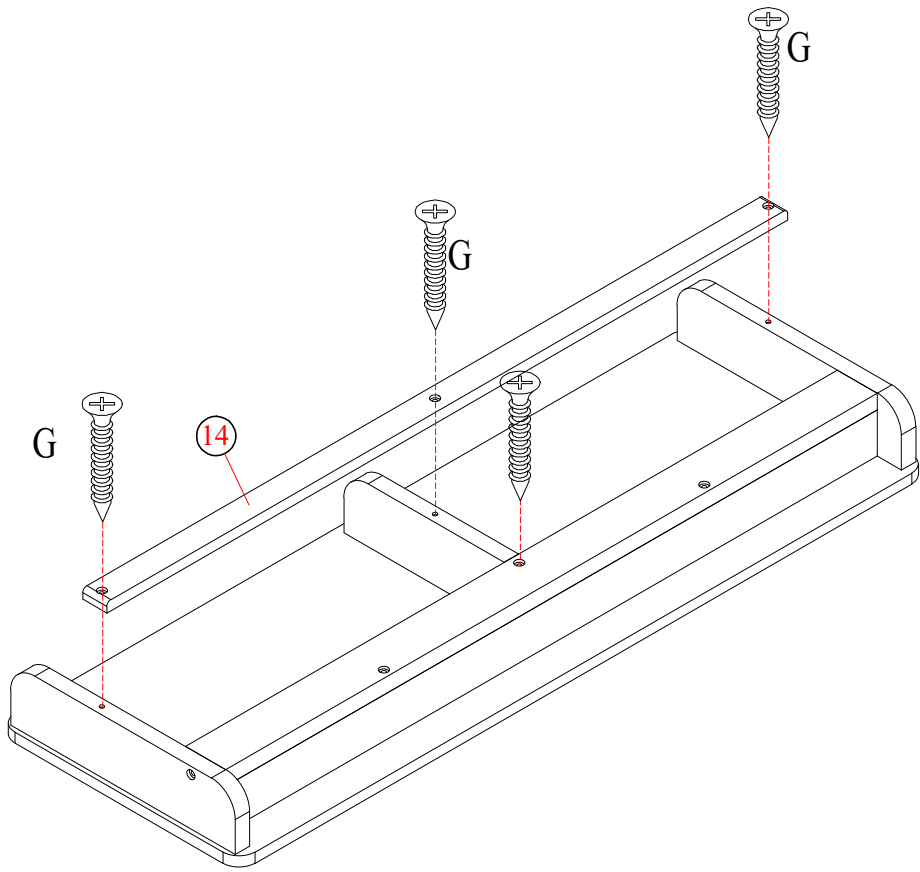
STEP- 12



B	G
	
4PCS	4PCS

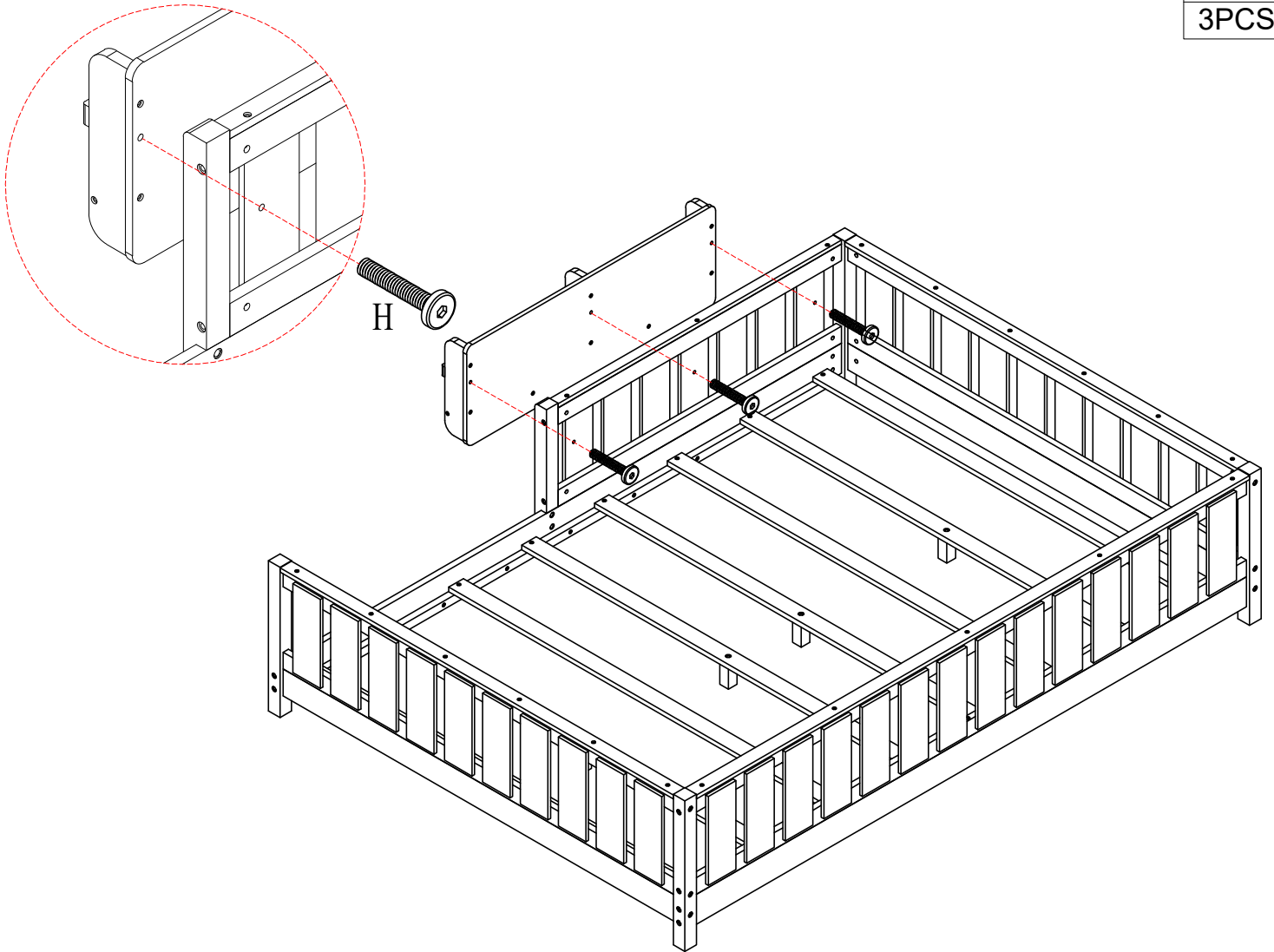
STEP- 13

G
4PCS



STEP- 14

H
3PCS



ASSEMBLY COMPLETED

