

CASCADE BASIN

Cat. No.
4-610



Basin Top: 15-1/4" x 12-3/4"
Basin Bottom: 6-1/4" x 5-1/4"
Flange: 1-3/4" x 3/4" Deep
Above Counter Height: 6-7/8"

***Please do NOT drill hole without
template or actual product.**

Interior Dimensions:

Basin Interior: 14" x 11-1/2"
Basin Depth: 5"

Features:

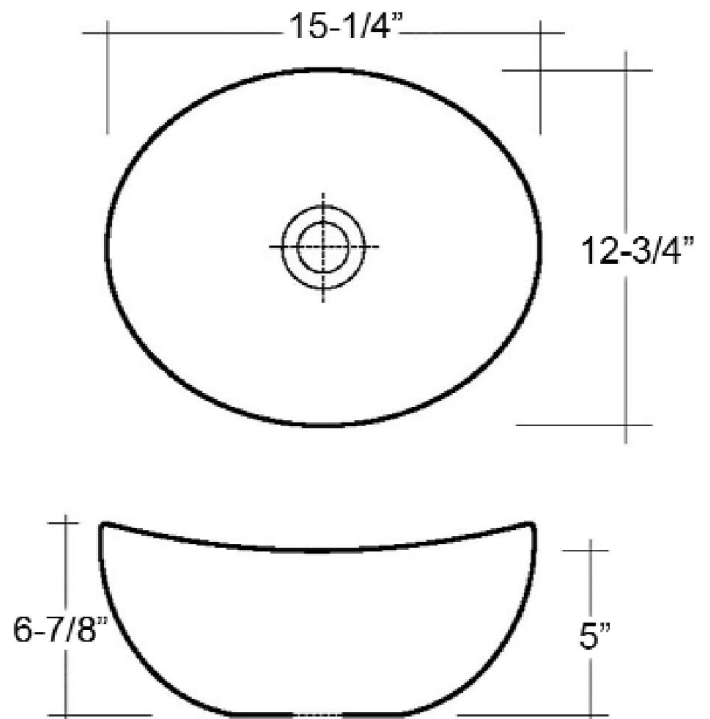
- ▶ Made of Vitreous China
- ▶ Stylish design
- ▶ No overflow hole
- ▶ Flat bottom

Colors:

WH White

Compliance Certification

Meets or exceeds the following
specifications: ASME A112.19.2
2013 and CSA B45.1-13 for
ceramic plumbing fixtures.



Dimensions of fixture are nominal and may vary within the range of tolerances established by ANSI Standard A112.19.2.2013. Dimensions and specifications subject to change without notice.