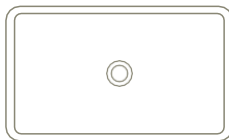


*Logmey*<sup>®</sup>

# INSTALLATION INSTRUCTIONS



White Farmhouse Sink



## WHITE FARMHOUSE SINK

- ◆ Forged at 2200°F.
- ◆ SUS304 Grids & Drains.
- ◆ Non-Porous Glossy Surface.
- ◆ Scratch Resistant.
- ◆ 3.5 Inch Drainage Hole.



In Accordance with Industry Codes & Standards for USA & Canada All LOGMEY White Farmhouse Sink are Certified & Listed By cUPC.

## CAUTION

Considering its weight and sharp edges, the sink should be taken out slowly and cautiously. It is better to protect your eyes and ears by using safety gloves and protective gear. We recommend two or more people to lift or mount the sink. Please **DO NOT** attempt to handle or install this product alone.



**IMPORTANT:** LOGMEY strongly recommends that this product be installed by a licensed plumber. Ensure that installation complies with applicable plumbing and building codes.

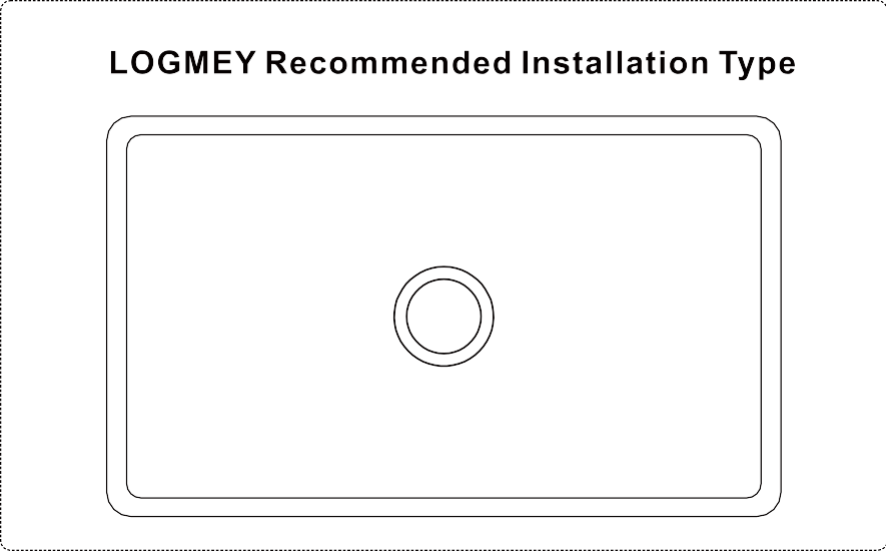
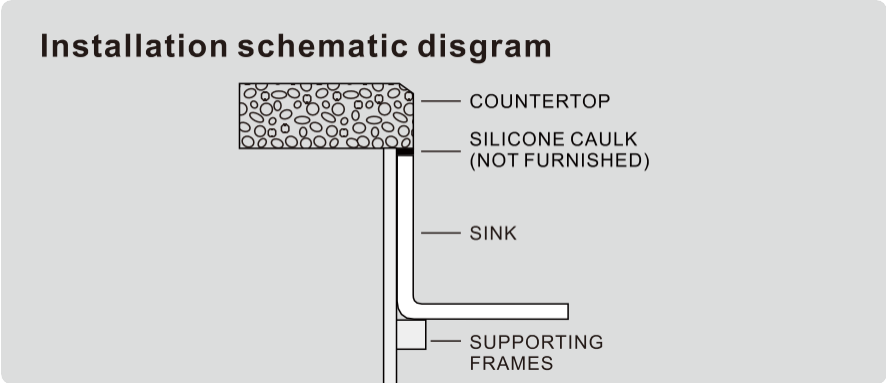
## GENERAL RECOMMENDATIONS

- Please read the installation and maintenance instructions carefully before installation. Inspect the sink for visible damage before installation. Check all locally applicable plumbing and building codes.
- These instructions apply only to countertop installations of composite or solid surfaces; for countertop applications of stone, marble, granite or cutting boards, an experienced countertop fabricator should be consulted for custom installation.
- The LOGMEY Farmhouse Sink Collection is individually handcrafted and LOGMEY recommends using only experienced professional plumbers. For countertop custom cutting and actual sink installation, on-site installation is also recommended. The acceptable deviation is approximately ½ inch. For cutting and precise application and trimming of any adhesive is critical to achieve a superior fit and finish appearance. Please take extra care in this regard.
- LOGMEY Farmhouse series sinks require customized cabinets. Consult your cabinet dealer in advance.
- LOGMEY is not responsible for damage or personal injury to the countertops, sinks, or faucets during the installation process. Warranty is void if installation instructions are not followed .

# TOOLS YOU NEED

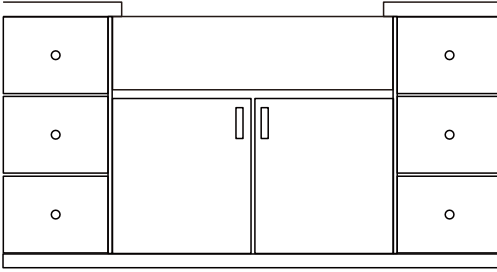
Tape Measure/ Denatured Alcohol /Wood Braces/Pencil / Ear Protection/Framing Square/Eye Protection/Shims/ Silicone Adhesive Sealant/Rags/Hacksaw/Jigsaw.

## 1 REVEAL TYPE

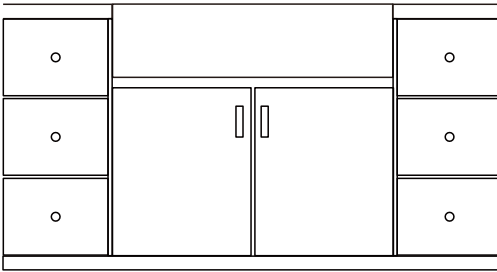


## 2 INSTALLATION OPTIONS

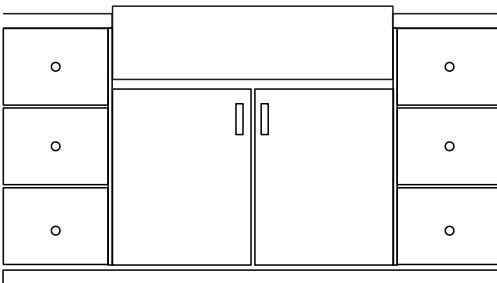
- LOGMEY Farmhouse series sinks are available with multiple installation options to suit your design.



**Figure 1:**  
Under mount  
Installation  
(Recommended)



**Figure 2:**  
Flush mount  
Installation

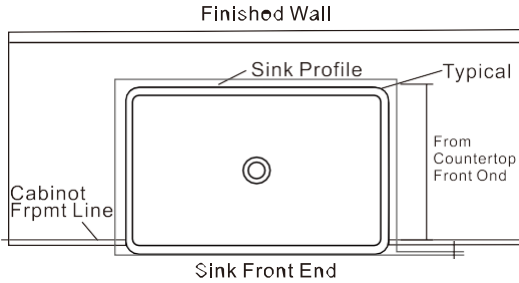


**Figure 3:**  
Above counter  
Installation

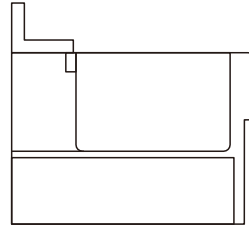


**NOTE:** All installation types require space for faucet installation. Make sure there is adequate clearance for any faucet and backsplash behind the sink, as well as the range of motion of the faucet's spouts and handle. Typical under mount 1/4" display is recommended.

- Typical flush mount and above counter installation.
- Above counter installation may expose sink sides to be raised above the countertop.



**Figure 4**



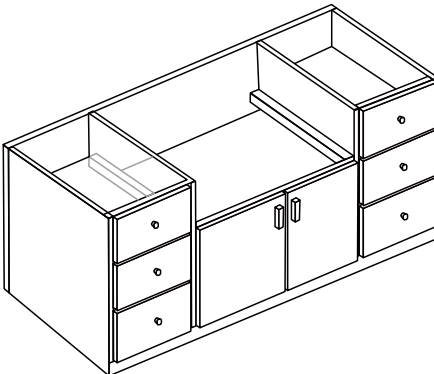
**Figure 5**



**NOTE:** Contact your retailer if any product is damaged or missing parts before installation. Never install a damaged sink as it can void your warranty.

### **3 PREPARE THE SINK BASE CABINET**

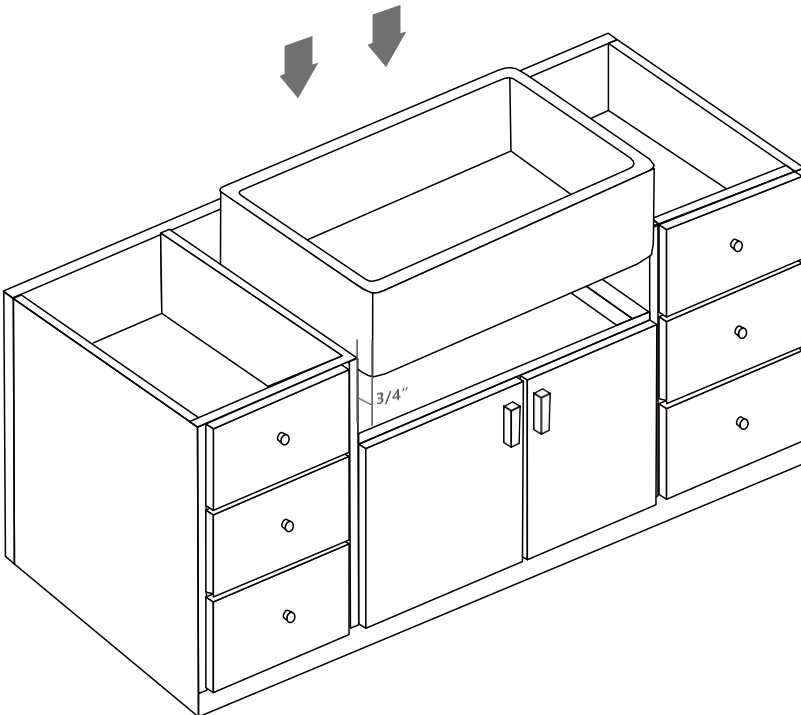
- The farmhouse sink requires a customized sink base cabinet with a front cutout to accommodate a 9"/10" deep sink.
- Build structural supports on the inside frame of the sink base cabinet.
- Structural support must support the weight of the sink and any accessories such as garbage disposal.



- Make sure the top of the sink is level with the bottom of the countertop when placing the sink on the cabinet stand.

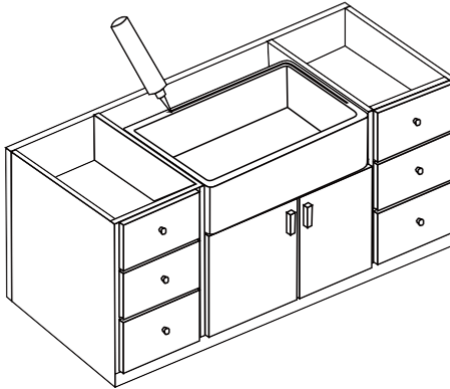
## 4 MAKE TEMPLATE AND CUTOUT

- Depending on the installation option, make a proper cutout of the countertop.
- LOGMEY recommends a 1/4 reveal on 3 sides when installed undermount style. For a flush mount or above counter installation, cut countertop along with outside of sink profile.
- LOGMEY farmhouse sink are designed to expose 3/4 inch of the front apron. Please cut the countertop accordingly.
- No template is provided due to the custom design. Use the actual sink size as the template guide for each installation.
- After position the sink and ensure enough space for faucets, use a pencil to mark the cutout size.



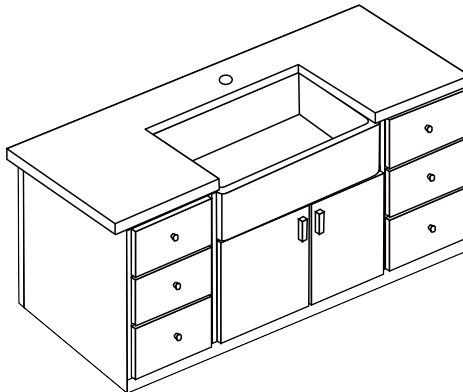
## 5 SET THE SINK

- Set the sink on top of the cabinet or insert from the cabinet front cutout.
- Apply sealant if necessary as a gasket between the sink and cabinet.
- Use a level to make sure the sink is even and will drain correctly.



## 6 INSTALL THE COUNTERTOP

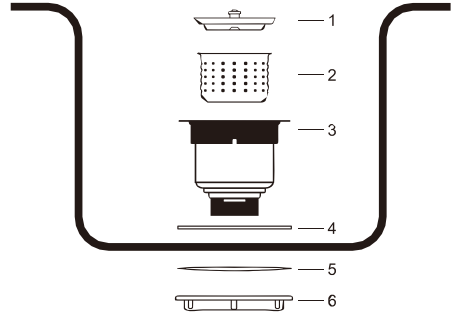
- Hook up the drain underneath according to the drain instructions and the sink will be ready for use.
- Use plumbers putty to ensure no gap between the drain and the sink.



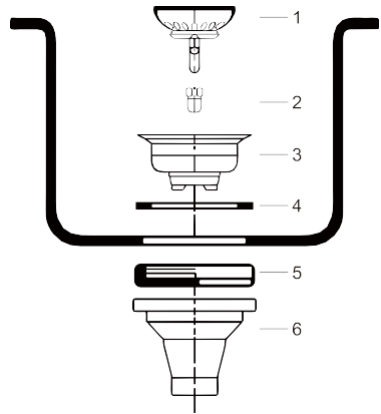
# BASKET DRAINER

## ● ASSEMBLY INSTRUCTIONS

1. Cap
2. Basket
3. Bowl
4. Foam washer
5. Rubber Washer
6. Lock Nut



1. Strainer Basket Assembly
2. Screw
3. Strainer Bowl
4. Top Seal
5. Bottom Seal
6. Waste Bowl



If you need any technical assistance during installation,  
please contact us via email:

**longmei6189@163.com**

we are always happy to help you.

## CARE AND MAINTENANCE

### ◆ ALWAYS

- Clean the sink on a regular basis with mild cleaners and a soft cloth. Dry your sink with a soft cloth to prevent water spotting.
- Rub lightly with a soft cloth in the direction of grain lines on a regular basis for additional preventative cleaning.
- Scrape off heavier gunk with a plastic spatula or scrub it off with a soft scrubber.
- Keep the sink free of any standing water as this can cause a buildup of mineral deposit, which can affect the appearance of your sink.
- Always rinse the sink after using any cleaning agent and wipe dry.
- Clean any mineral deposits built up over time with a mild solution of vinegar and water followed by a thorough flushing with water.

### ◆ NEVER

- Never use a steel wool or scoring pad as it damages the sink surface and causes discoloration.
- Never let household cleaners or bleach stay in your sink for a long time, as this may damage the surface of your sink.
- Never leave rubber mats, sponges, or cleaning pads in the sink for a long time as this may ruin the finish of your sink.
- Never use any drain cleaning products containing sulfuric acid or hydrochloric acid as this can corrode the sink. Solvent cleaners also contain acids that can damage sink surfaces.
- Never use the inside of the sink as a cutting surface.

**LOGMEY guarantees the repair or replacement of products with defective workmanship or quality problems.**

**The end-user or a contractor procured from LOGMEY or an authorized LOGMEY distributor, for the life of the original owner or end-user. During the warranty period, repair or replacement or replacement (equivalent product) will be reported to the authorized distributor or LOGMEY within one year from the date of initial purchase, as determined by LOGMEY. his warranty applies to the original owner or end-user and is not transferable to subsequent owners.**

## **◆ LIMITATIONS**

**This warranty does not apply to incorrect operating procedures, damage, or deterioration due to improper installation, carelessness, abuse, misuse, improper use, improper maintenance, or alteration of the product, as well as chemical or natural corrosion, accidents, fire, floods, acts of God, or any other casualties. Avoid the use of abrasive cleaners, steel wool, and harsh chemicals as these can scratch, damage, or dull the product finish. The owner/end-user of the product covered by this warranty is solely responsible for its proper installation and any applicable plumbing or electrical wiring.**

**LOGMEY neither installs nor supervises the installation, nor does it include the hiring of contractors. LOGMEY shall not be liable for any direct or indirect breach of contract, breakage, or damage resulting there from.**

**LOGMEY is a leading manufacturer of luxury kitchen and bath products. We firmly believe that only the best design and the highest quality materials can satisfy your lifestyle. Therefore, our team develops new styles of products by combining the needs of the times and the market. Using new technology and quality materials, we design unique and practical faucets, kitchen sinks, and other accessories. Reducing installation time, saving water, increasing durability and reliability, LOGMEY products are also the best choice for you.**

## **CONTACT US:**

**E-mail: [logmey168@yahoo.com](mailto:logmey168@yahoo.com)**

**URL: [www.logmey.com](http://www.logmey.com)**

The logo consists of a central olive-green rounded square containing the word "Logmey" in white italicized font, followed by a registered trademark symbol. Two light gray triangular shapes are positioned around the logo: one pointing towards the top right and another pointing towards the bottom left.

*Logmey*®