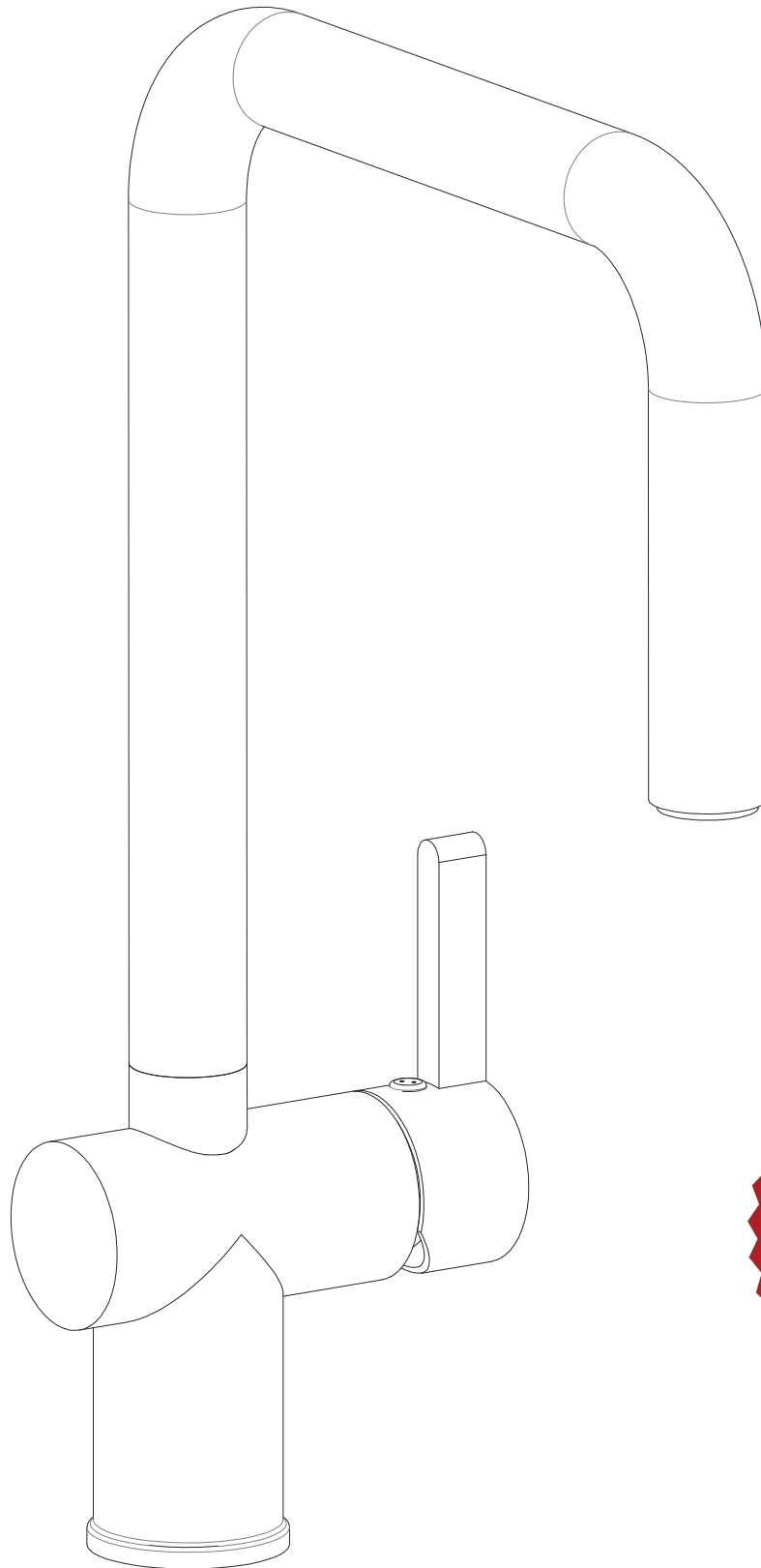


INSTALLATION GUIDE



PULL-DOWN KITCHEN SINK FAUCET

| MODEL | FINISH |
|-----------|----------------|
| S6129P-CH | Chrome |
| S6129P-BN | Brushed Nickel |
| S6129P-MB | Matte Black |
| S6129P-BG | Brushed Gold |

HOT LINE: +1-866-203-0866

THANK YOU

Dear Valued Customer,

Thank you for choosing SUMERAIN products. We sincerely appreciate your recent purchase and hope you are fully satisfied with your new product. At SUMERAIN, all our products are meticulously designed, engineered, and rigorously tested to ensure long-lasting, trouble-free performance under normal conditions.

Installation is simple with basic tools and our step-by-step illustrated guide. We welcome your questions or feedback and look forward to assisting you in the future. For any inquiries, please contact us at +1-866-203-0866 or email us at supports@sumerain.com.

Thank you again for selecting SUMERAIN. We remain dedicated to providing exceptional customer service.

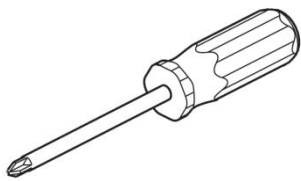
Sincerely,

SUMERAIN Customer Service Department.

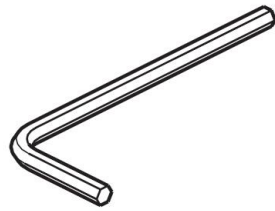
BEFORE PROCEEDING

1. Unpack the product and ensure all components are included in the package. Keep the product in its original packaging until you are ready to install it to prevent damage.
2. Locate the water supply inlets and turn off the water supply valves, which are typically near the water meter or under the sink. If replacing an existing unit, remove the old one and thoroughly clean the mounting surface.
3. Follow all applicable local and state plumbing and building codes to ensure proper installation.
4. If you are uncertain about the installation process, we strongly recommend consulting a professional to avoid potential issues.

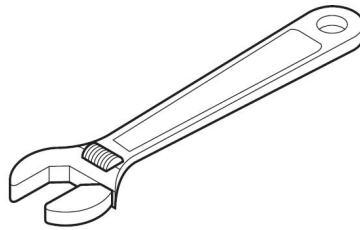
TOOLS RECOMMENDED



Philips Screwdriver



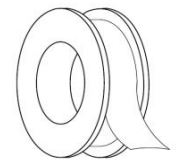
Allen Wrench



Adjustable Wrench



Channel Locks



Teflon Tape

LIMITED LIFETIME CONSUMER WARRANTY

VERSION: 20160320.18.1

This product is manufactured and rigorously tested to meet the highest quality standards by HONGKONG SUMERAIN SANITARY INDUSTRY Co., Limited ("SUMERAIN"). This warranty is exclusively applicable to SUMERAIN products purchased by consumers in the United States on or after January 1, 2020. If a faucet develops leaks or drips during normal usage, SUMERAIN will provide the required faucet cartridge to the purchaser, free of charge, to restore the faucet to proper working condition. For any defects identified under normal residential use, SUMERAIN may, at its discretion, repair the product, supply replacement parts or products, or make necessary adjustments to ensure optimal functionality.

WHO IS COVERED BY THE WARRANTY

This warranty exclusively covers the original consumer purchaser, including those who purchased through online retail platforms. Customers specifically covered under the "Online Consumer Limited Lifetime Warranty & Return Policy" are also included. Please note that this warranty is non-transferable and cannot be assigned to any other individual or entity.

WHAT IS COVERED BY THE WARRANTY

This warranty applies exclusively to SUMERAIN-manufactured products purchased by the consumer. SUMERAIN warrants against defects in materials or workmanship under normal installation, use, service, and maintenance. If the product or its components are found to be defective due to faulty materials or workmanship, SUMERAIN will, at its discretion, provide free replacement parts or replace the entire product.

FINISH WARRANTY

Customers are responsible for inspecting the product for any material or finish defects within three days of receipt. Please note that surface finish defects are not covered under warranty once the fixture has been installed.

ELECTRONIC FAUCETS WARRANTY

SUMERAIN warrants its LED components, including electronic faucets, valves, controllers, and battery-powered devices, against material and manufacturing defects for one year from the date of purchase under normal use. The water flow impeller power device (LED power generation unit) is covered against manufacturing defects for three months from the date of purchase.

LENGTH OF WARRANTY

As stated in the following, any replacement or repaired parts of the product will be covered for the duration of this warranty, which SUMERAIN provides for a period of 1 year from the original date of purchase.

CIRCUMSTANCES THAT SUMERAIN WILL NOT WARRANT AND PAY FOR:

- A. Conditions, malfunctions, or damage that are not caused by defects in material or workmanship are not covered under the warranty.
- B. Conditions, malfunctions, or damage resulting from normal wear and tear, improper installation, improper maintenance, misuse, abuse, negligence, accidents, alterations, or the use of abrasive or caustic cleaning agents, "no-rinse" cleaning products, or operation contrary to the provided instructions, including issues caused by home conditions such as excessive water pressure or corrosion, are excluded from the warranty.
- C. Labor costs or other expenses related to the disconnection, deinstallation, or return of the product for warranty service, as well as the installation or reinstallation of the product, are not covered under the warranty.
- D. Accessories, connected materials, and related products (including but not limited to hand shower flexible hoses, spray flexible hoses, hand showers, and showerheads) that are not manufactured by SUMERAIN are excluded from warranty coverage.

TO OBTAIN WARRANTY PARTS OR INFORMATION

To obtain warranty parts or information, please follow these steps:

Contact your SUMERAIN retailer, call the technical service line at +1-866-203-0866, or email supports@sumerain.com.

When applying for warranty service, provide the following information:

- a. A sales receipt or proof of purchase date and platform.
- b. A detailed description of the issue.
- c. Ship the product or defective parts to the designated SUMERAIN warehouse in the United States with prepaid postage. Ensure the items are carefully packaged and insured. Once the warranty service is completed, repaired or replaced products or parts will be returned to you with prepaid postage.

If you have further questions or require additional assistance, please contact SUMERAIN using the information provided above.

EXCLUSIONS & LIMITATIONS

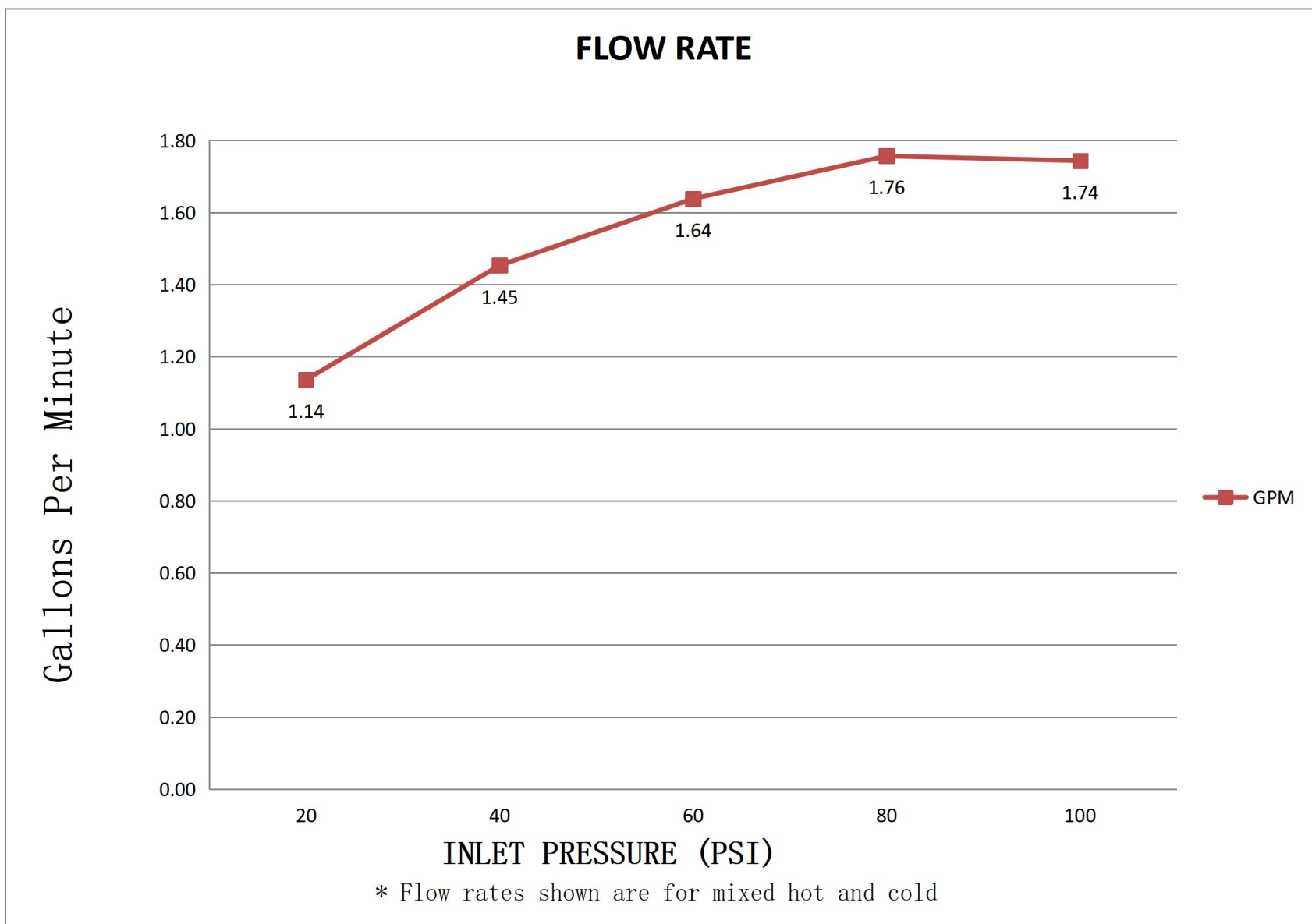
Under the terms of this warranty, repair, replacement, or, in limited cases, a refund of the purchase price is the sole remedy available to the purchaser. SUMERAIN assumes no obligations or liabilities and does not authorize any individual to create obligations or liabilities related to this product. SUMERAIN is not liable for any incidental, special, or consequential damages resulting from a breach of this warranty or any implied warranties, including merchantability. Please note that some states do not allow the exclusion or limitation of incidental or consequential damages, so the above limitations or exclusions may not apply to you. This warranty provides specific legal rights, and you may also have additional rights that vary by state. Before filing any legal action under the Magnuson-Moss Warranty Act, you may be required to provide SUMERAIN with a reasonable opportunity to address or resolve any non-compliance.

PRODUCT INSTRUCTIONS & QUESTIONS

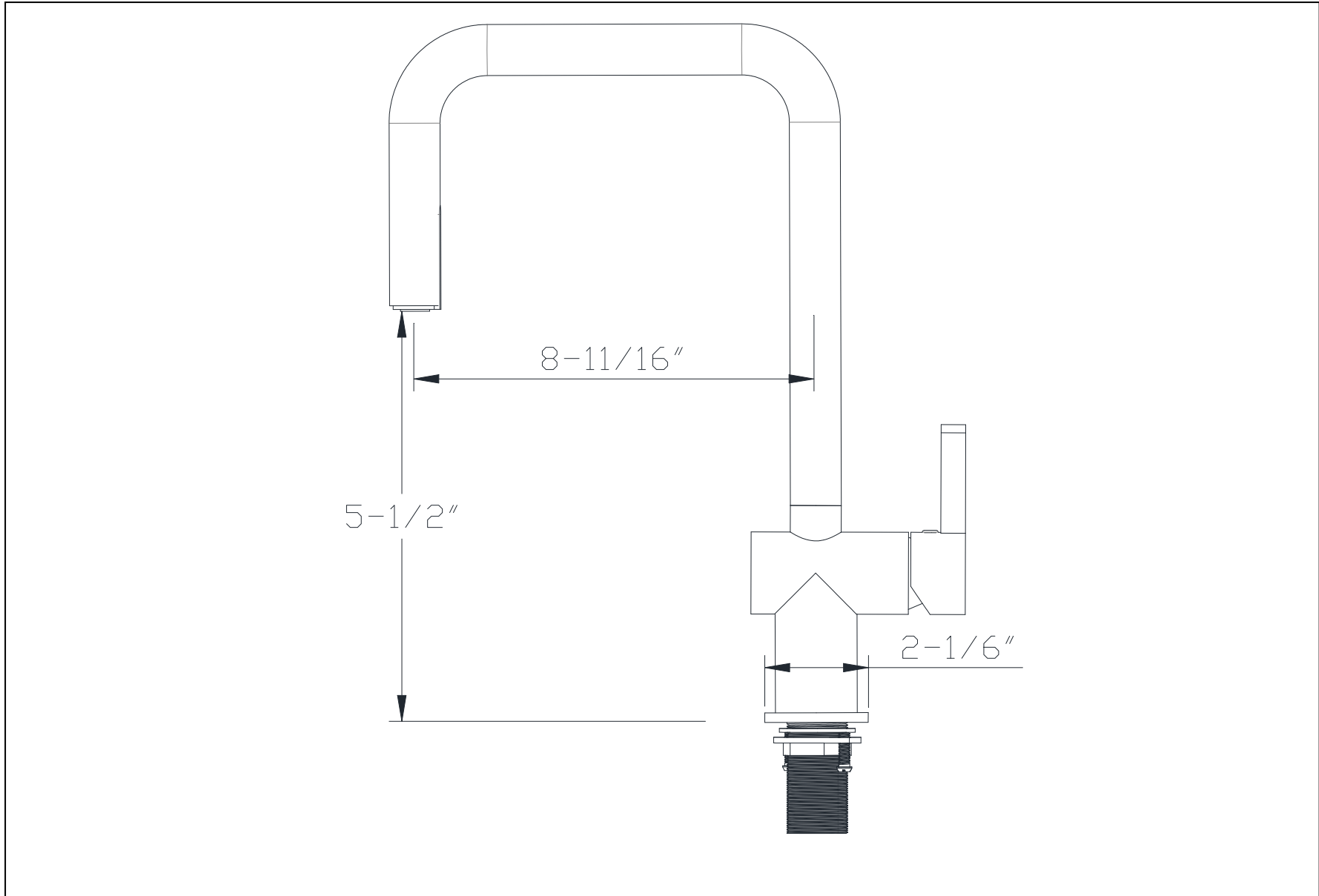
Prior to installation, we strongly recommend thoroughly inspecting your SUMERAIN product for any potential damage or visible defects caused during shipping. Carefully review the included instructions for proper installation, maintenance, and care procedures. If you have any questions regarding the use, installation, performance, or warranty of your SUMERAIN product, please contact us at +1-866-203-0866 or email supports@sumerain.com. Our customer support team is available to assist with any concerns or inquiries you may have.

FUNCTIONS & SPECIFICATIONS

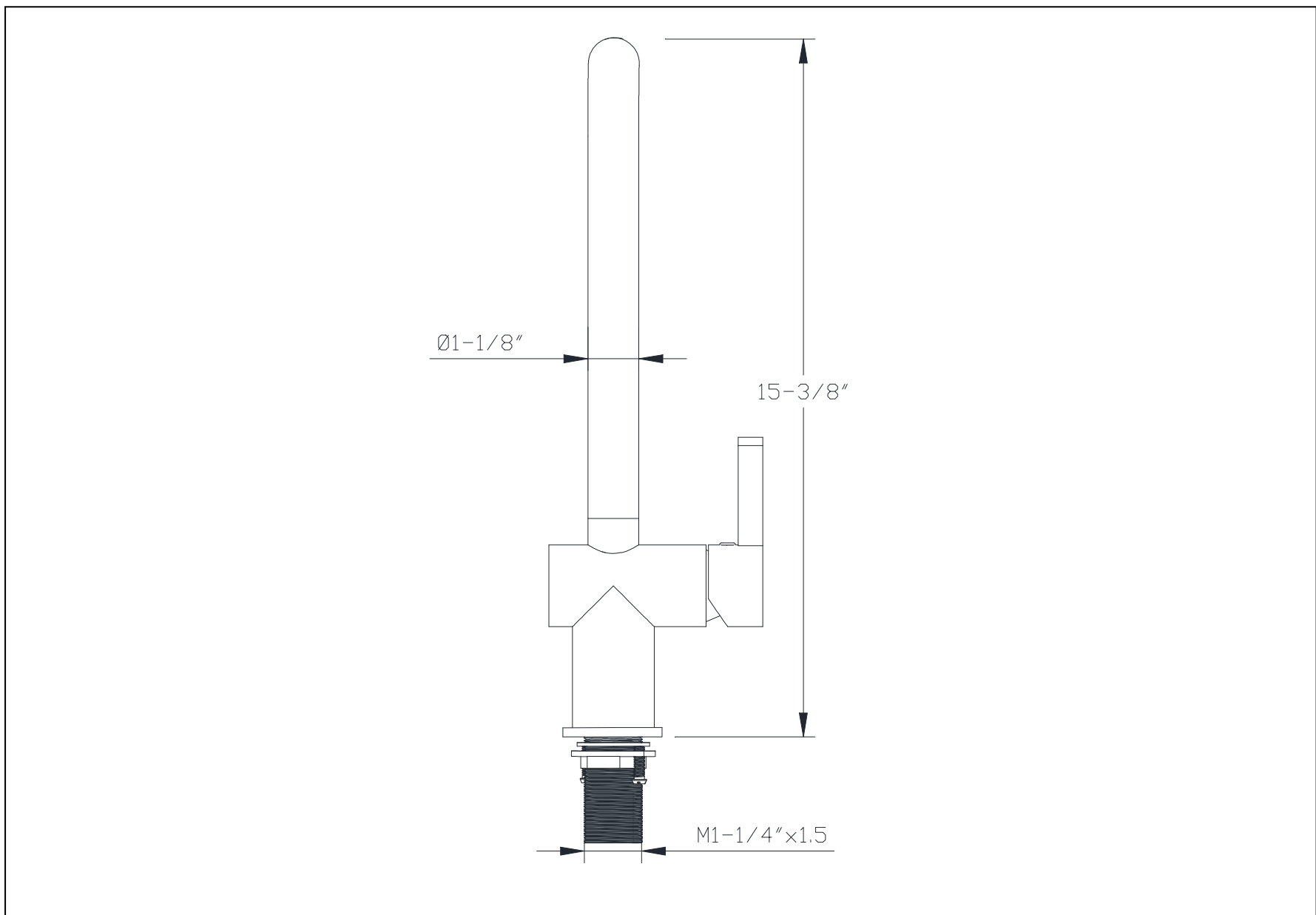
| | |
|-------------------------------|--|
| Faucet Type | Kitchen Faucet |
| Feature | Pull-Down Kitchen Faucet |
| Theme | Modern, Contemporary |
| Finish | Chrome/Brushed Nickel/Brushed Gold/Matte Black |
| Installation Holes | One |
| Handle Style | Lever |
| Pullout Direction | Down |
| Pullout Spray | Yes |
| Sensor Sprayer | No |
| Mounting Type | Single Hole |
| Number Of Handles | One |
| Valve Type | Ceramic Disc |
| Spout Reach | 8-11/16" |
| Max Deck Thickness | 1-3/8" |
| Installation Type | Deck Mounted |
| Spout Type | Swivel |
| Spout Swivel | 360° |
| Escutcheon Included | Optional |
| Net Weight | 3.88 lbs |
| Gross Weight | 4.96 lbs |
| Working Water Pressure | 20 ~ 100 PSI |
| Flow Rate | 1.64GPM @60PSI |
| Packing Box Size | 23-11/16" * 11-1/8" * 2-13/16" |



DIMENSION



SIDE VIEW



REAR VIEW

INSTALLATION STEPS

1. BEFORE PROCEEDING



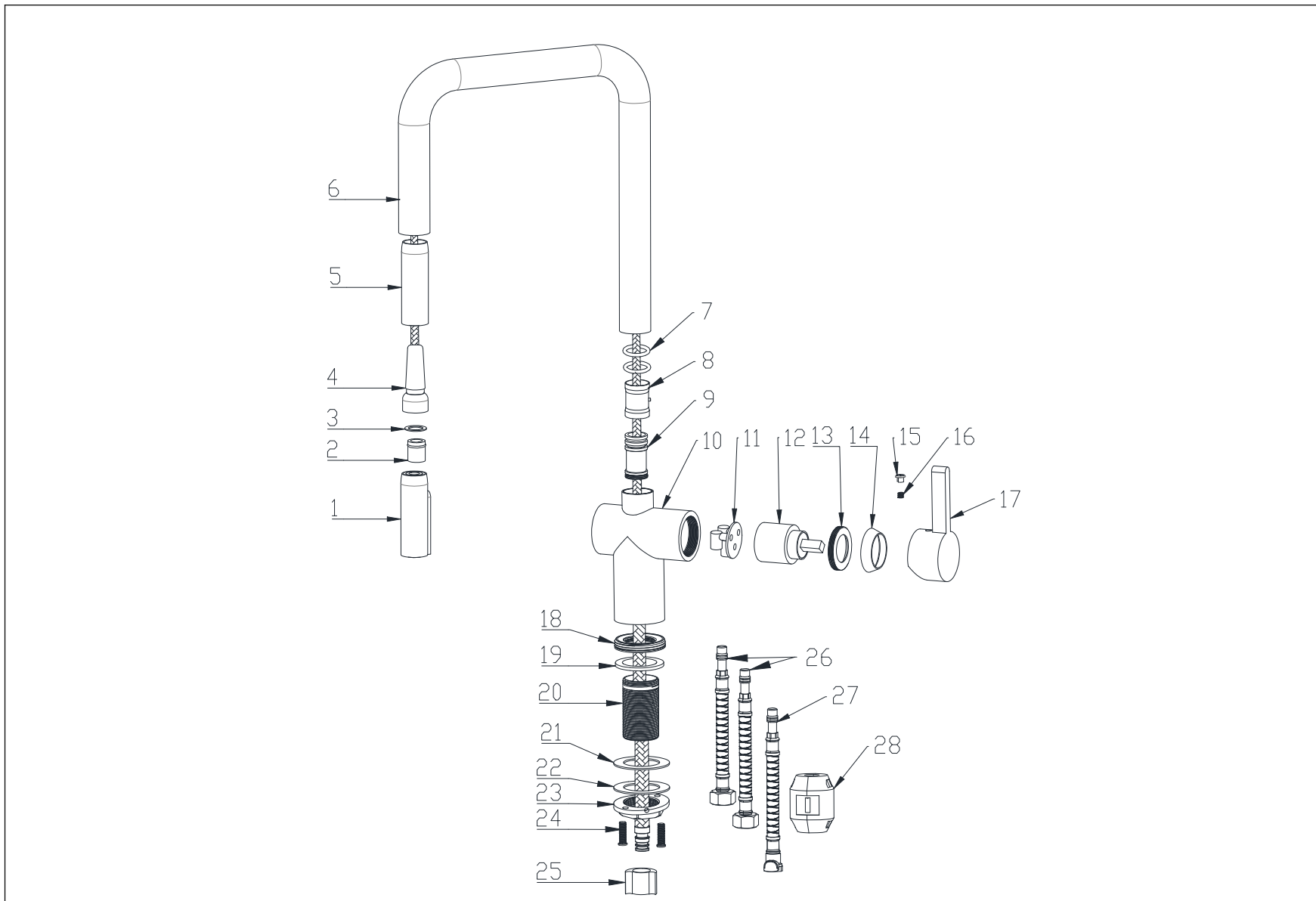
WARNING: Before beginning any installation or operation, read all instructions carefully. If you are unsure about installing this product, consult a licensed professional. This product must be installed in compliance with all applicable local and state plumbing and building codes. Professional assistance is strongly recommended.

2. SHUT OFF WATER SUPPLY

Locate the water supply inlets and turn off the corresponding water supply valves, typically located under the sink or near the water meter. If replacing an existing unit, remove the old unit and thoroughly clean the mounting surface to ensure proper installation.

3. CHECK THE COMPONENTS OF THE BOX

Upon opening the box, verify that all the listed components are included.

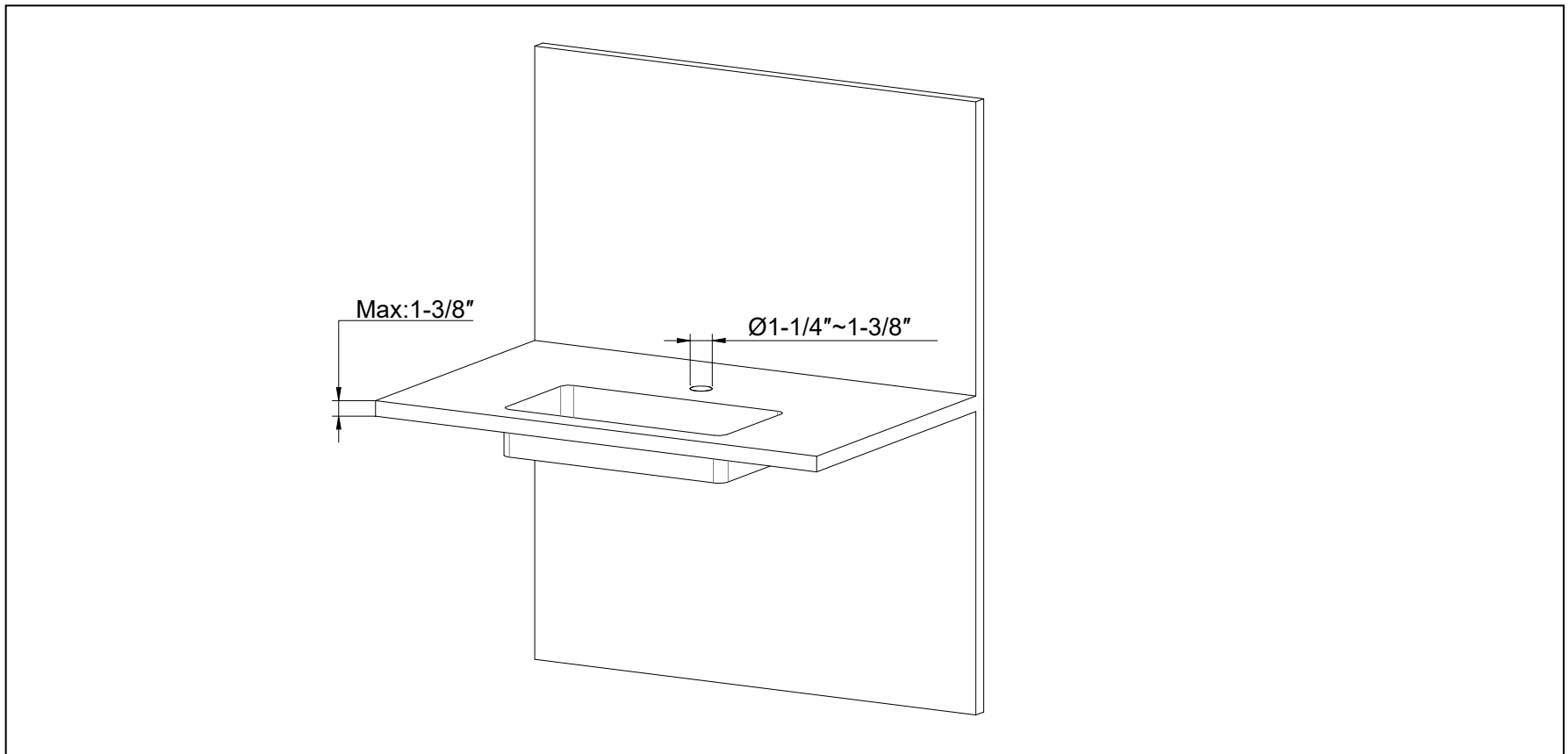


| NO | ITEM NAME | MATERIAL | QTY | PART NO. | NO | ITEM NAME | MATERIAL | QTY | PART NO. |
|----|-----------------|---------------|-----|------------|----|----------------------------|---------------|-----|------------|
| 1 | Sprayer | ASSEMBLE | 1 | PHS61290XX | 15 | Screw Cover | ABS | 1 | PSA00002XX |
| 2 | Check Valve | ASSEMBLE | 1 | PAE00044XX | 16 | Set Screw | SUS304 | 1 | PSC05050XX |
| 3 | Rubber Washer | NBR | 1 | PRW19020XX | 17 | Handle | Zn Alloy No.3 | 1 | PHD61290XX |
| 4 | Sprayer Hose | ASSEMBLE | 1 | PFH00026XX | 18 | Bonnet | HPB59-1 | 1 | PSC61350XX |
| 5 | Nozzle Sheath | ABS | 1 | PSA61300XX | 19 | Rubber Washer | NBR | 1 | PRW48443XX |
| 6 | Swing Elbow | SUS304 | 1 | PPI61290XX | 20 | Shank | SUS304 | 1 | PNT00024XX |
| 7 | O-Ring | NBR | 2 | POR27025XX | 21 | Rubber Washer | NBR | 1 | PRW52362XX |
| 8 | Opening Circlip | POM | 1 | PSA61300XX | 22 | Metal Washer | SUS304 | 1 | PRW52363XX |
| 9 | Sway Nipple | POM | 1 | PCN61300XX | 23 | Lock Nut | HPB59-1 | 1 | PNT00037XX |
| 10 | Faucet Body | Zn Alloy No.3 | 1 | PVB61290XX | 24 | Set Screw | SUS304 | 2 | PSC00001XX |
| 11 | Switch Base | SUS304 | 1 | PEC61320XX | 25 | Plastic Positioning Blocks | POM | 1 | PSA00012XX |
| 12 | 35#Cartridge | ASSEMBLE | 1 | PCT35006XX | 26 | Supply Hose | ASSEMBLE | 2 | PFH00006XX |
| 13 | Bonnet | HPB59-1 | 1 | PSC37125XX | 27 | Mixer Flexible Hose | ASSEMBLE | 1 | PFH00005XX |
| 14 | Bonnet Cap | HPB59-1 | 1 | PFC37125XX | 28 | Heavy Ball | ASSEMBLE | 1 | PSA61190XX |

If any of these items are missing, please contact SUMERAIN consumer service by email to: supports@sumerain.com

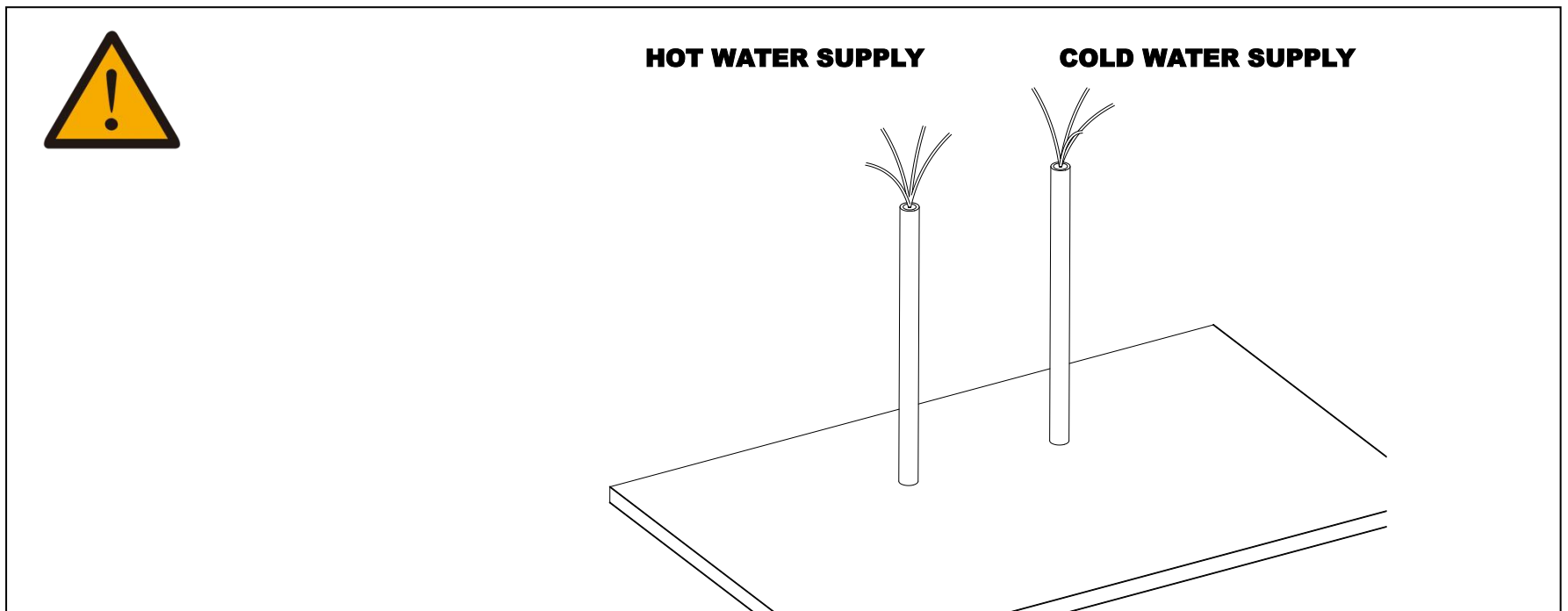
4. INSTALLATION HOLES INSPECTION

Before installation, confirm that the sink's faucet mounting hole and deck thickness comply with the specifications in the diagram below. A 1-1/4 inch mounting hole diameter and a maximum deck thickness of 1-3/8 inches are recommended.

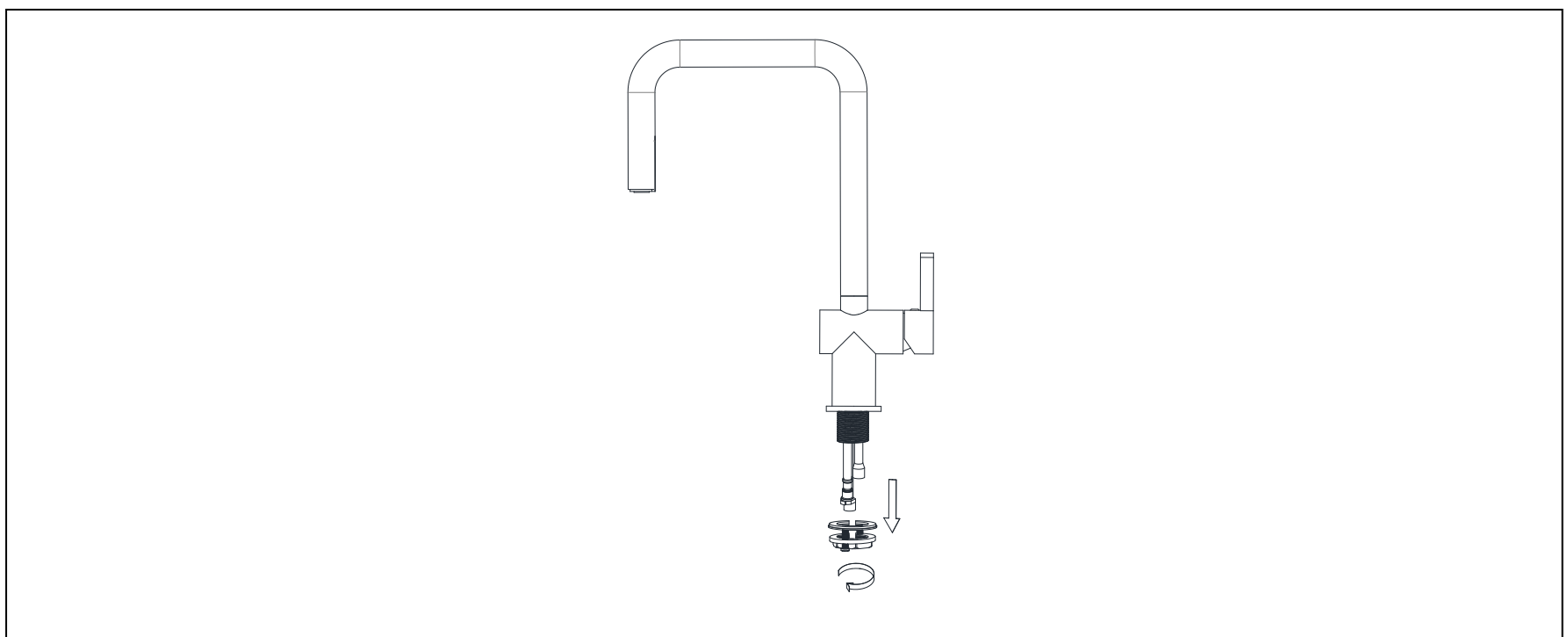


5. INSTALLATION

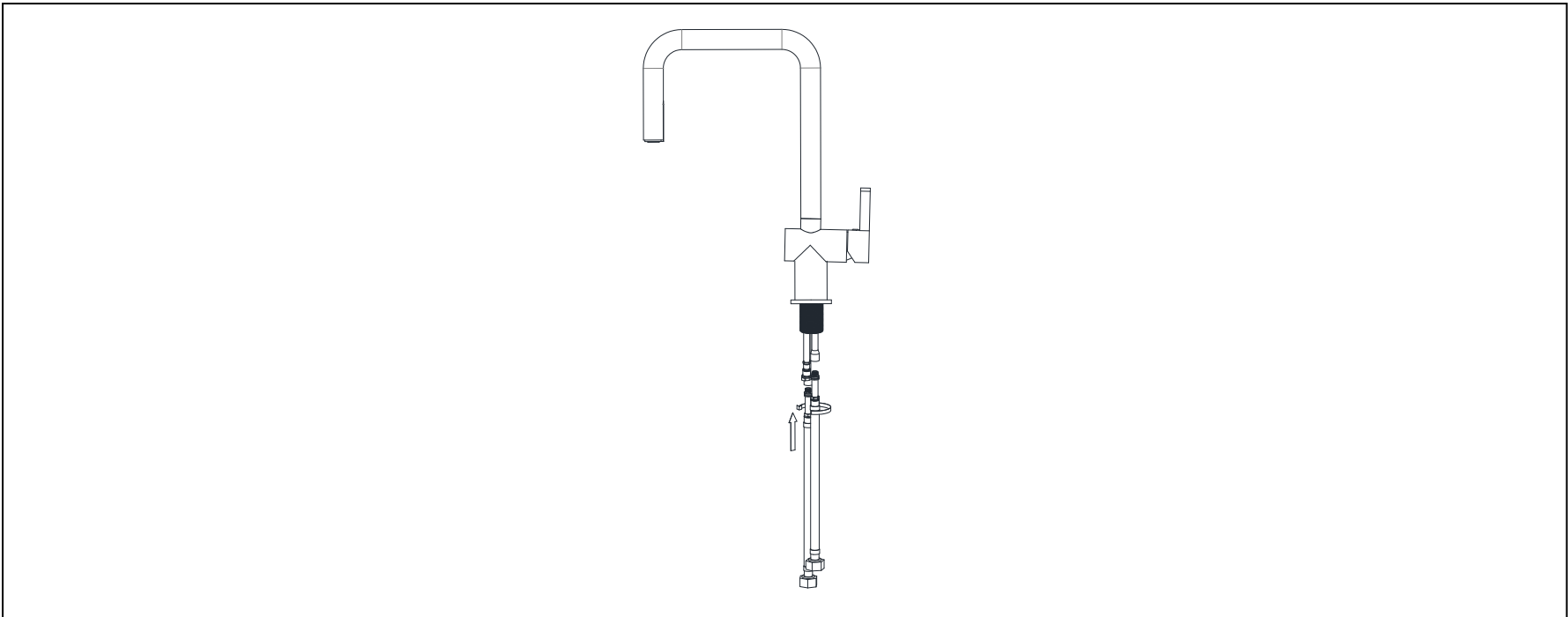
5.1 Before starting faucet installation, open the shut-off valves to flush the hot and cold water supply lines. Let the water run for 3–5 minutes to clear out dirt and debris. Then, turn off the water supply.



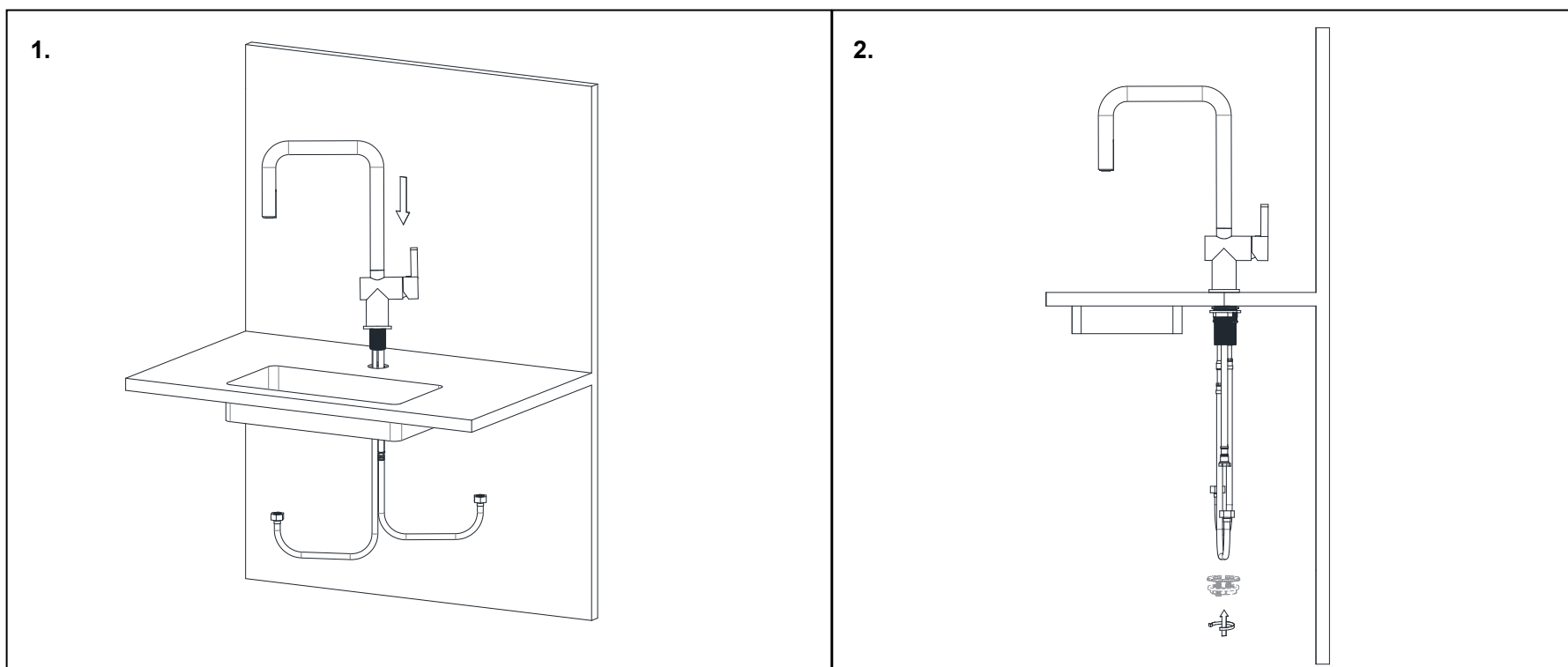
5.2 Remove the mounting component from the faucet's shank.



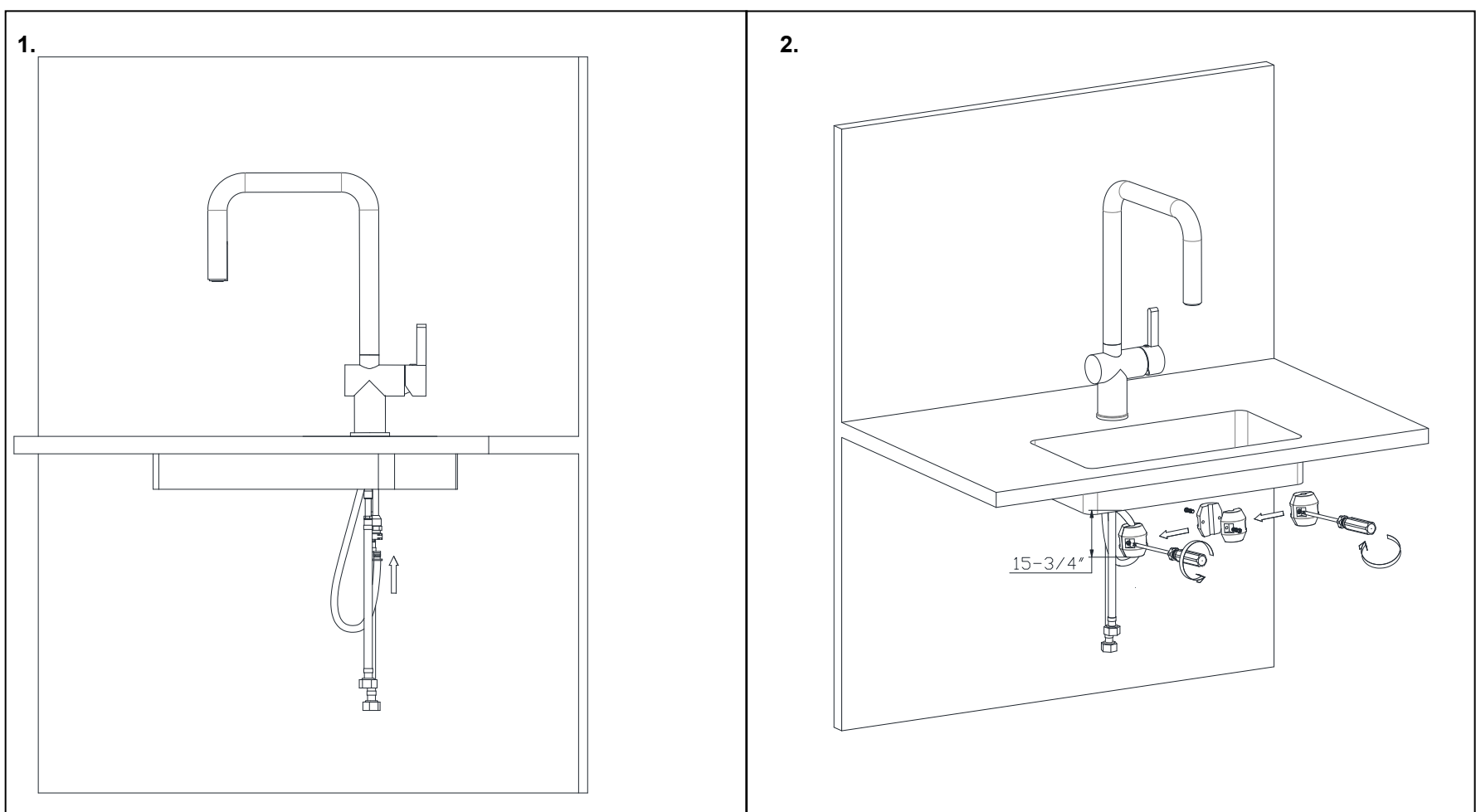
5.3 Connect the two water supply lines to the faucet inlet ports securely, ensuring proper alignment and tight connections.



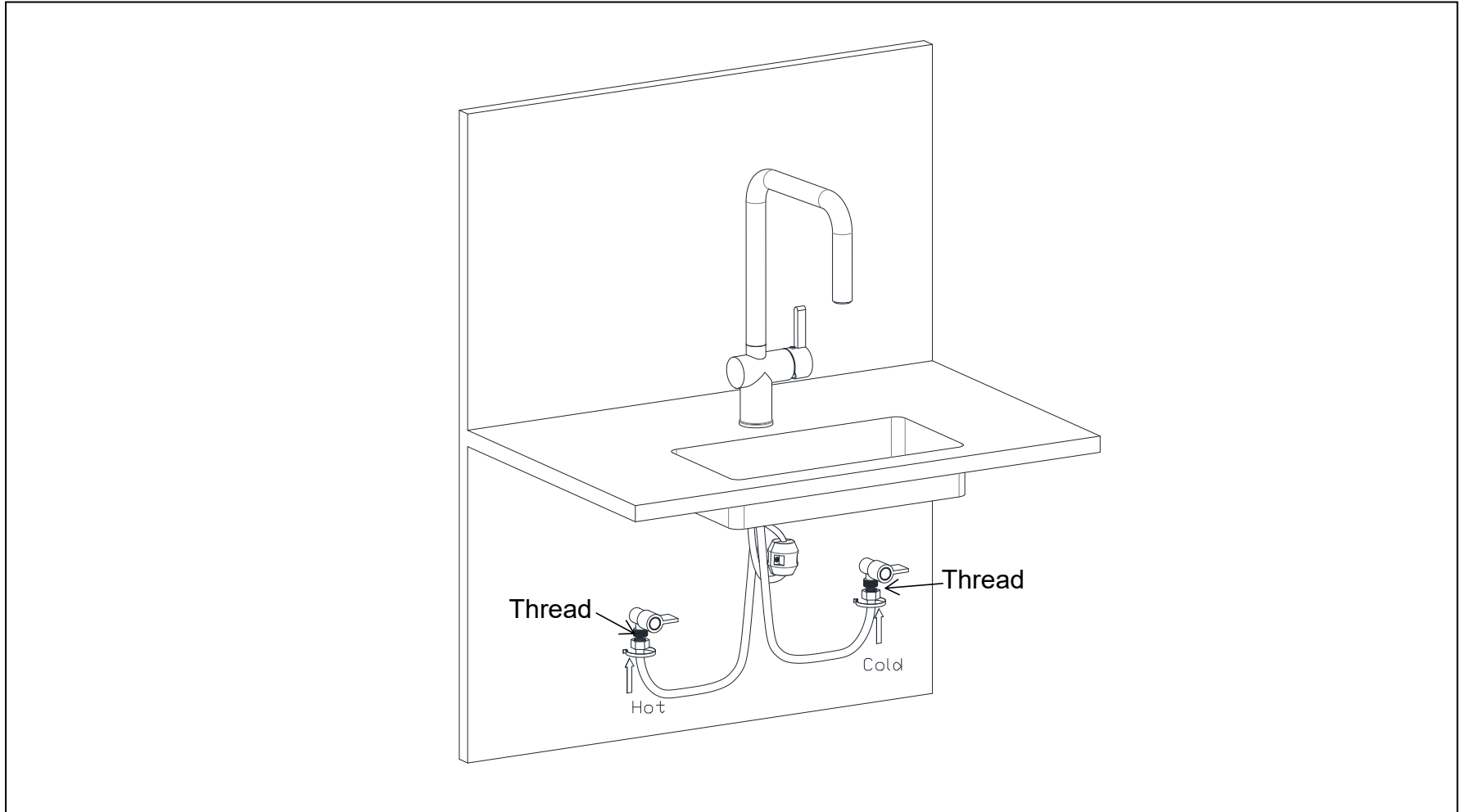
5.4 Insert the faucet into the mounting hole and slide the lock nut onto the threaded shank from beneath the sink.



5.5 Insert the sprayer hose connector into the outlet connector at the base of the faucet. Hold the weight and use a Phillips screwdriver to open it. Position the weight around the pull-out sprayer hose at the desired location. Secure and tighten the weight. Adjust its position as needed to ensure the spray head operates optimally.



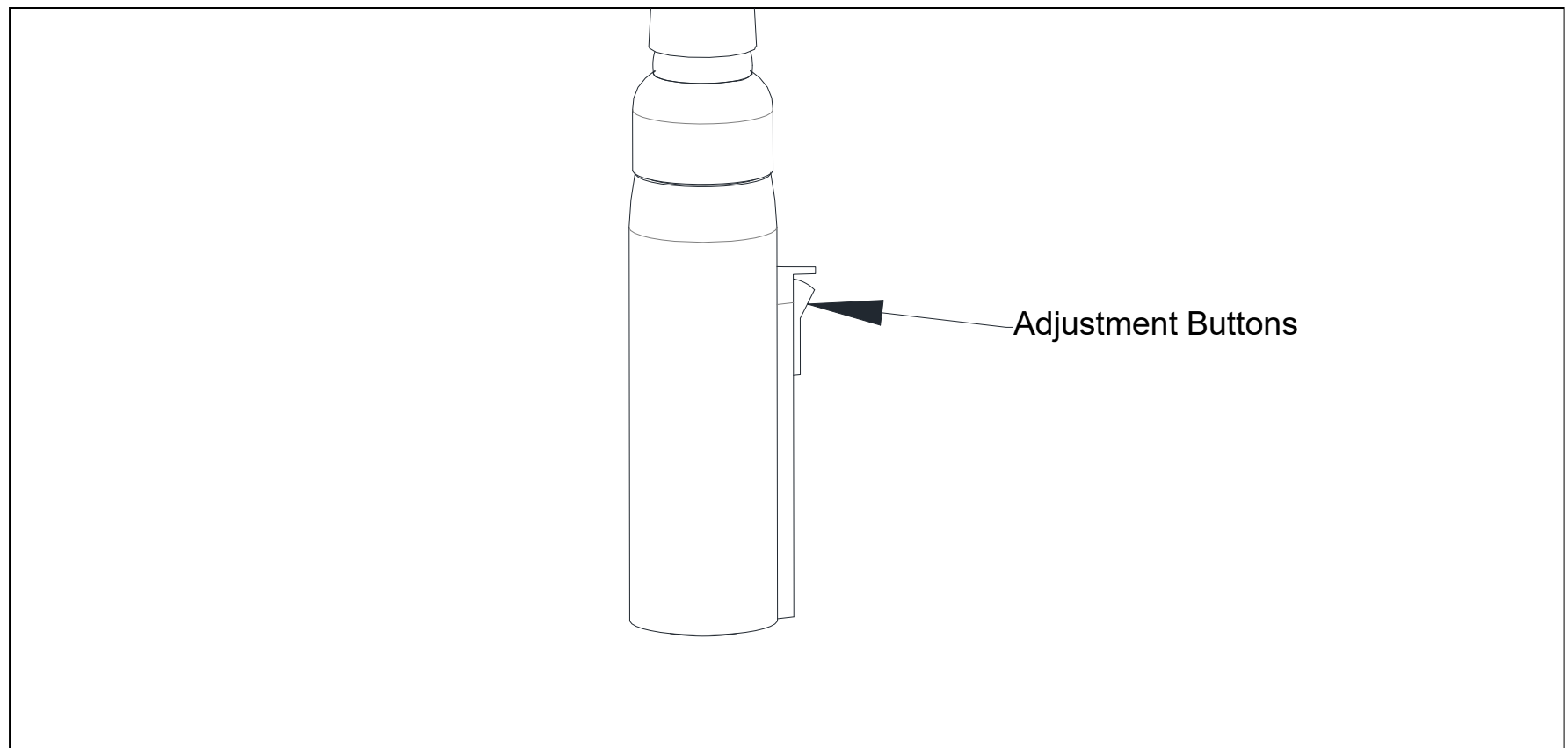
5.6 Attach the faucet's hot and cold water inlet hoses to the corresponding hot and cold water supply valves. Use a wrench to securely tighten the mounting nuts, ensuring they are properly fastened.
Thread Specifications: For U.S. and Canada: 3/8" Comp.



6. Guide for Spray Head Usage

The spray head features two water output modes: stream and shower spray. A button on the spray head enables easy switching between the modes.

1. Button: Press the upper part of the button to switch to rain spray mode. Press the lower part to activate stream mode. The selected mode will remain active without the need to hold the button continuously.



7. INSPECTION

7.1 Turn on the hot and cold water supplies, and check all connections to ensure there are no leaks.

INSTALLATION COMPLETED

CLEANING RECOMMENDATION FOR SUMERAIN PRODUCTS

Modern lavatory faucets, kitchen faucets, and showers are crafted from a variety of materials to meet the market's demands for both design and functionality. To prevent damage and reduce the likelihood of returns, it is essential to follow the recommended cleaning guidelines.

Cleaning Materials for faucets & showers

When cleaning faucets and showers, it is essential to follow these professional guidelines:

- Use acidic cleaning agents specifically formulated for lime removal.
- Only use cleaning products designed for this purpose to avoid damage.
- Do not use cleaning agents containing hydrochloric, formic, phosphoric, or acetic acid, as these can cause severe damage to the surface.
- Never mix different cleaning agents, as this may lead to harmful chemical reactions.
- Avoid abrasive cleaning products or tools, such as unsuitable cleaning powders, rough sponge pads, or microfiber cloths that could harm the finish.

Cleaning instructions for faucets & showers

Please follow the cleaning material manufacturer's instructions carefully. Additionally, observe the following guidelines to maintain your faucets and showers:

- Clean faucets and showers regularly as needed to preserve their optimal function and appearance.
- Use the recommended amount of cleaning product and apply it for the specified duration. Avoid leaving the cleaner on the surface longer than necessary to prevent potential damage.
- Regular cleaning helps prevent calcification. For scale deposits on faucet surfaces or spouts, use a commercial descaler such as Lime-Away® or CLR®.
- If rust forms due to hard water, gently remove it by rubbing the affected area with aluminum foil soaked in water until smooth. Then, apply a small amount of chrome polish or an appropriate product like automotive wax (e.g., Meguiar's® or Turtle Wax®) to restore the finish.
- Solid stainless steel faucets and spouts, especially waterfall designs, usually lack a protective coating. While stainless steel resists tarnishing, it can oxidize over time. Keep stainless steel fixtures clean and dry, and use a stainless steel-specific cleaner such as Weiman® or CLR® for proper maintenance.
- When using spray cleaners, apply the product to a soft cloth or sponge first instead of spraying it directly onto the faucet. This prevents water droplets from entering the faucet openings and causing damage.
- After cleaning, rinse all surfaces thoroughly with clean water to remove any cleaner residue.

Important

Residues from liquid soap, shampoo, and shower gel can contribute to surface damage over time. To prevent this, thoroughly rinse these substances off with clean water after each use.



Note: If the surface is already damaged, using cleaning materials may worsen the damage.

Components with damaged surfaces must be replaced to prevent potential injury.

Please note that any damage caused by improper use, maintenance, or cleaning is not covered under the warranty.

SUMERAIN®

SUMERAIN INTERNATIONAL GROUP INC

Address: 1226 NORTH KING ST NUM 522
WILMINGTON, DE 19801
United States

Tel: +1(866)203-0866

Web: <http://www.sumerain.com>

E-mail: supports@sumerain.us

HONGKONG SUMERAIN SANITARY INDUSTRY CO., LIMITED

Address: FLAT/RM 3B 3/F BANK TOWER
NOS.351&353 KING'S ROAD
NORTH POINT
HK

Tel: +86-750-2731579

E-mail: supports@sumerain.com

SUMERAIN EUROPE SUPPORT

Address: Flottwellstr.15
10785 Berlin,
Deutschland

Tel: +49 (0)30/23975898

E-mail: de@sumerain.com