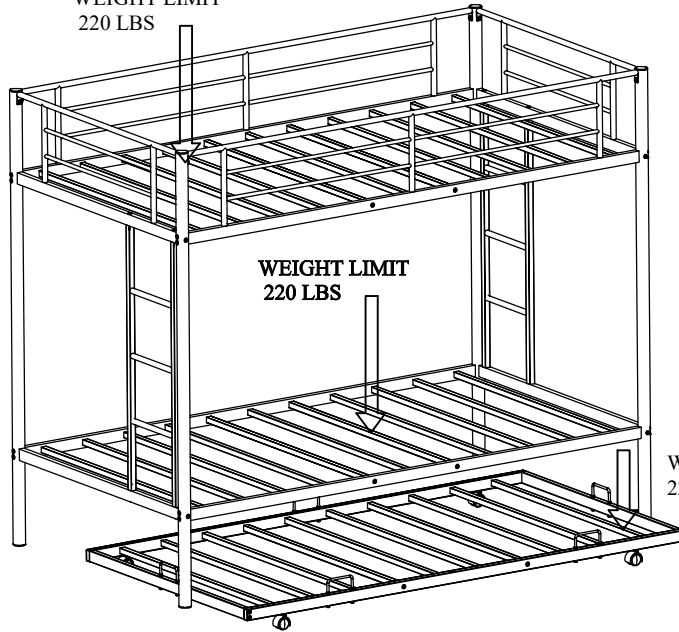


BUNK BED

ASSEMBLY INSTRUCTIONS

WEIGHT LIMIT
220 LBS



WEIGHT LIMIT
220 LBS

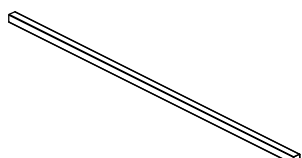

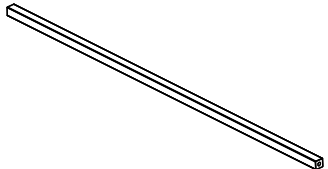

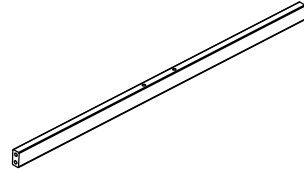

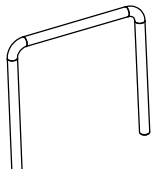

PART LIST

<p>1</p> <p>2PCS</p>	<p>2</p> <p>2PCS</p>	<p>3</p> <p>2PCS</p>
<p>4</p> <p>2PCS</p>	<p>5</p> <p>2PCS</p>	<p>6</p> <p>2PCS</p>
<p>7</p> <p>2PCS</p>	<p>8</p> <p>1PC</p>	<p>9</p> <p>1PC</p>

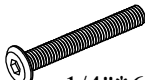

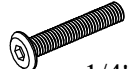

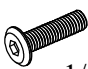



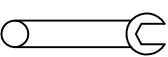





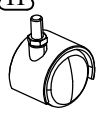

BUNK BED

ASSEMBLY INSTRUCTIONS









PART LIST

 	 	 	 
26PCS	6PCS	2PCS	5PCS

HARDWARE LIST

 	 	 	 
1/4"*60 32PCS	1/4"*40 8PCS	1/4"*15 20PCS	4*59 2PCS
 	 	 	 
1PC	M6"*5 20PCS	Ø42 8PCS	NO LOCK 2PCS
			LOCK 2PCS

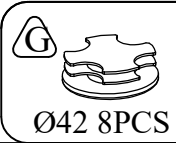
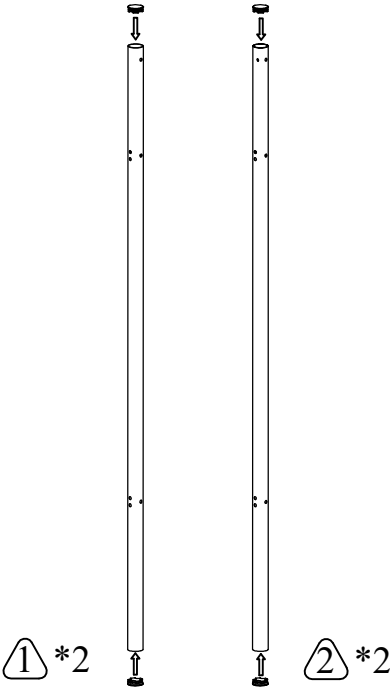
IMPORTANT SAFETY NOTICE: READ CAREFULLY BEFORE BEGINNING ASSEMBLY!

-  Do not stand on for your safety.
-  Follow the assembly steps in order. Do not skip any steps.
-  Please do not tighten any screw before each is well placed in appropriate holes.
-  Please tighten up all screws before usage to avoid any potential safety hazard.
-  Please double check to ensure all the screws are well placed in appropriate holes if any assembly issue occurs.
-  Be sure to check all packing materials carefully for small parts may have come loose inside the carton during shipment. If parts are missing, contact the retailer from which you purchased the product to obtain any missing parts. **DO NOT USE SUBSTITUTE PARTS.**
-  Keep the instructions for future reference.
-  **Warning for young children - this product contains small components. please that they are kept away from small children**

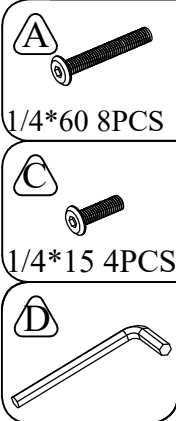
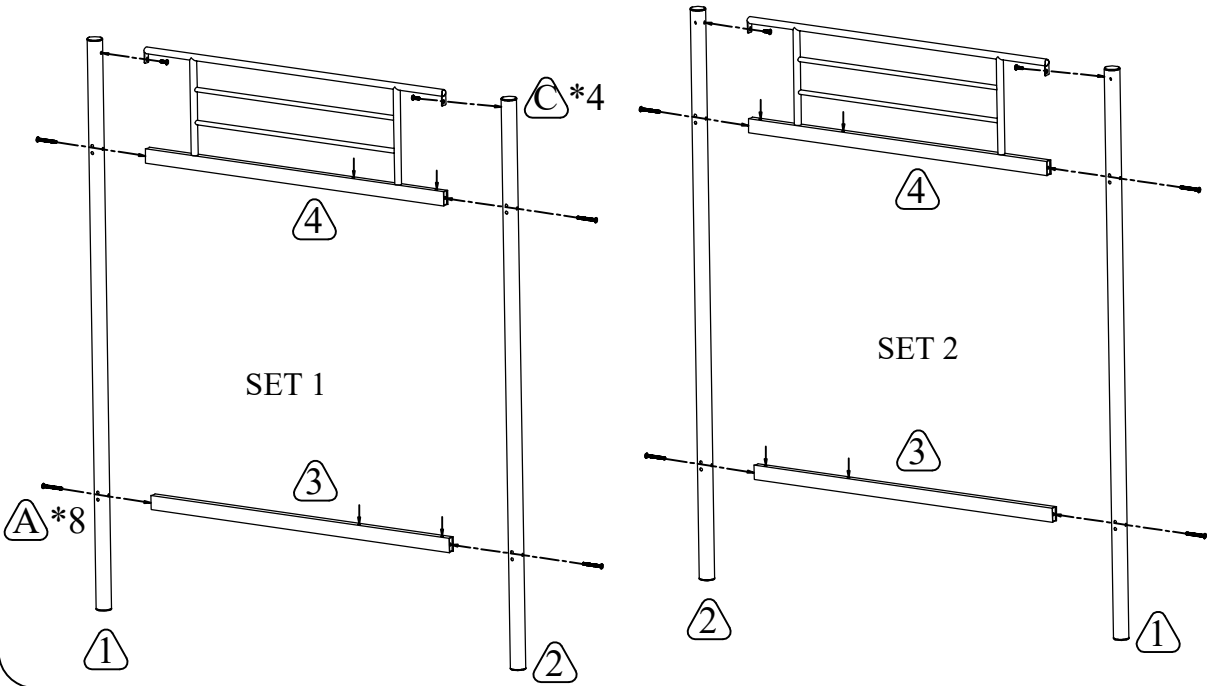
BUNK BED

ASSEMBLY INSTRUCTIONS

STEP 1



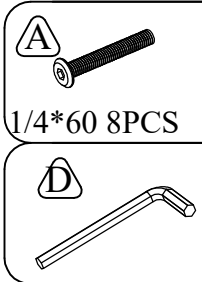
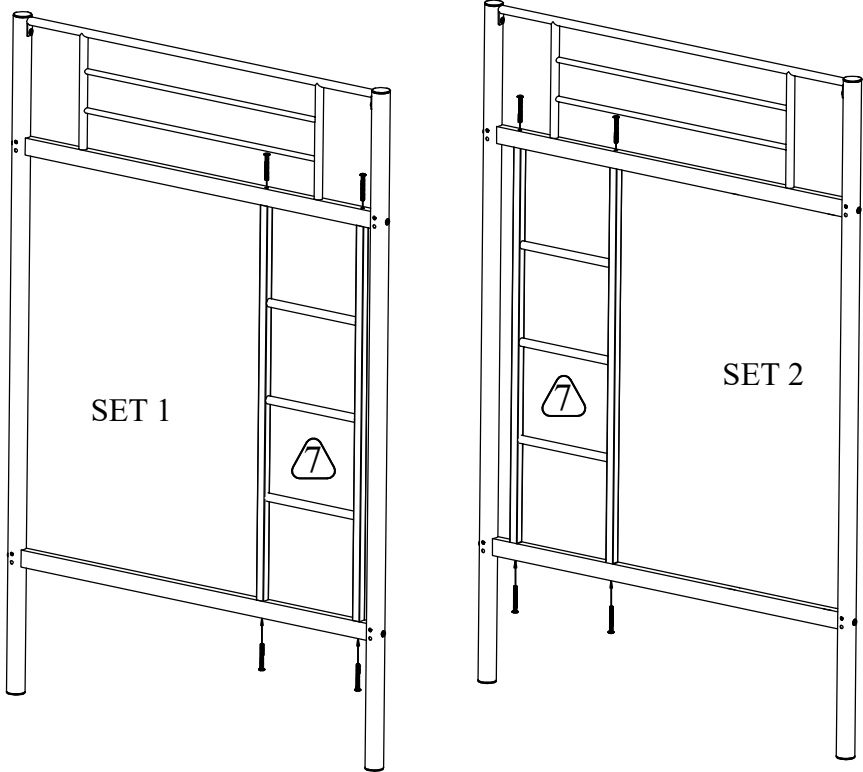
STEP 2 : 2 SET



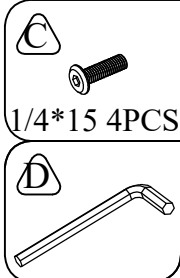
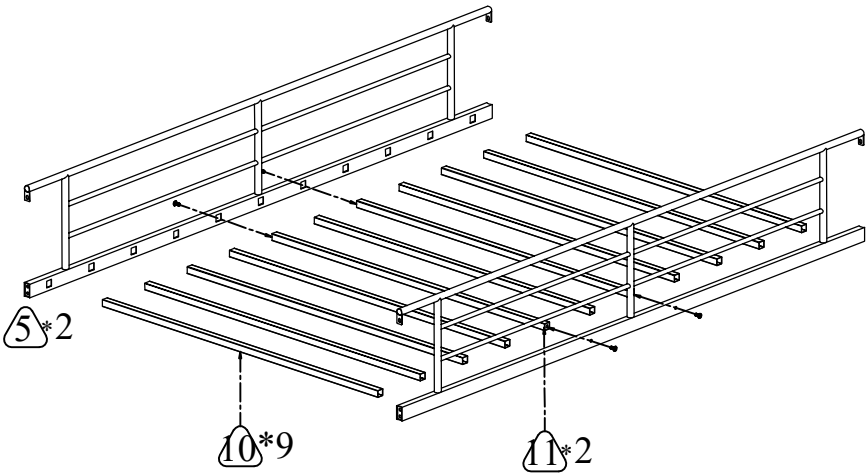
BUNK BED

ASSEMBLY INSTRUCTIONS

STEP 3



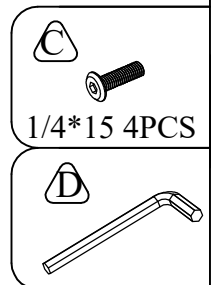
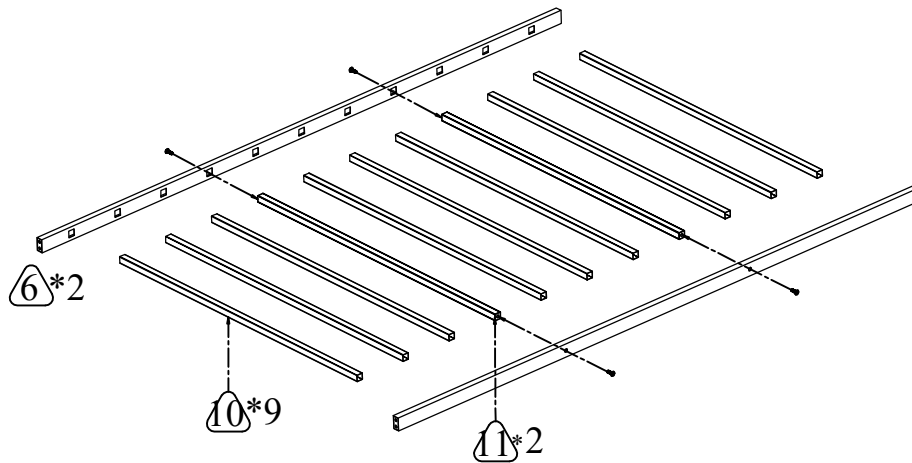
STEP 4



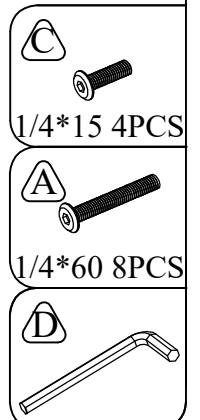
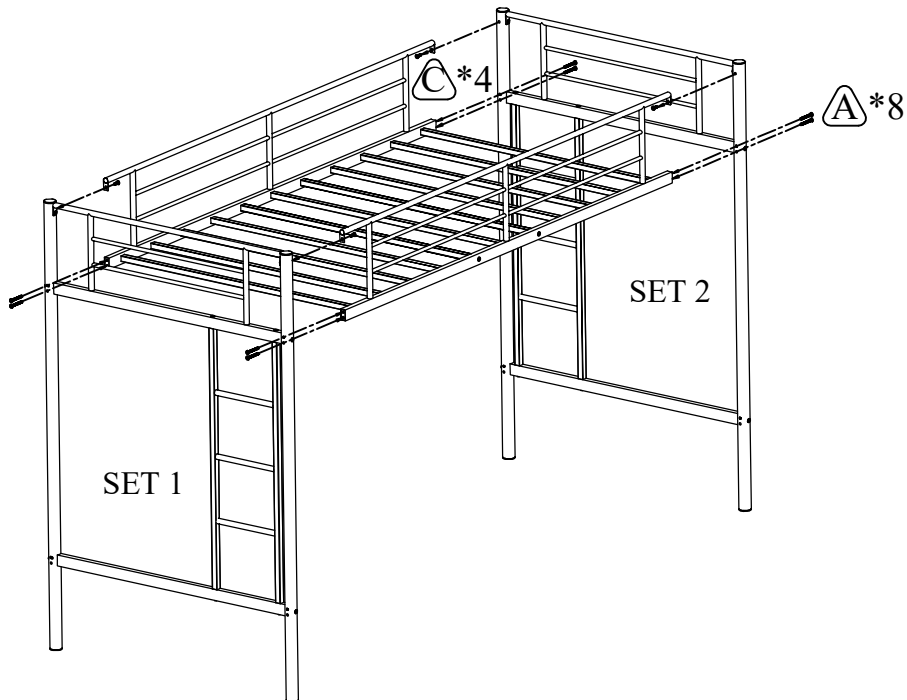
BUNK BED

ASSEMBLY INSTRUCTIONS

STEP 5



STEP 6



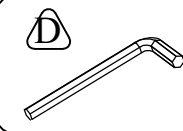
BUNK BED

ASSEMBLY INSTRUCTIONS

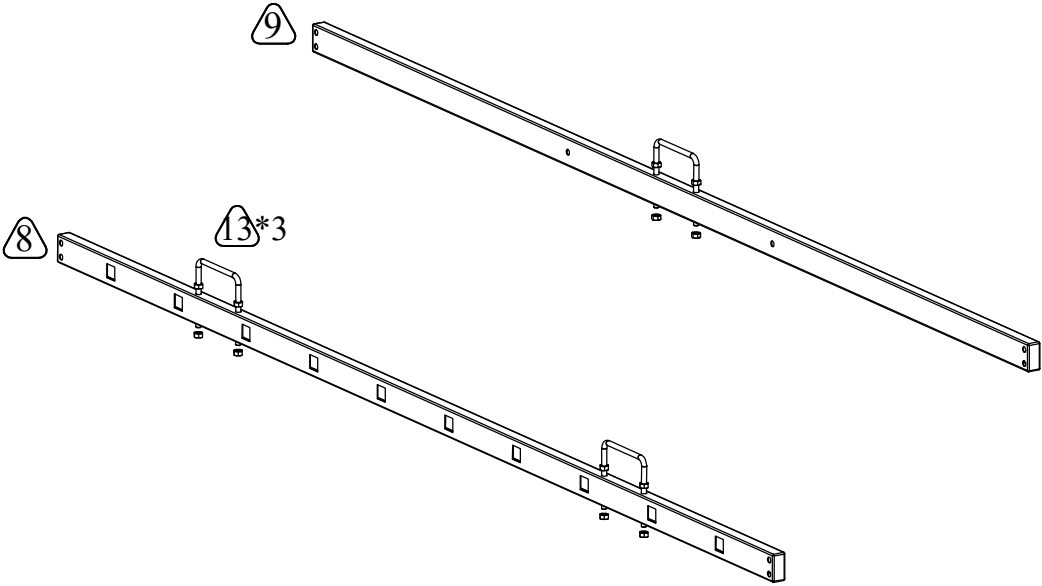
STEP 7



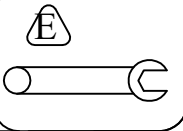
A 
1/4*60 8PCS



STEP 8



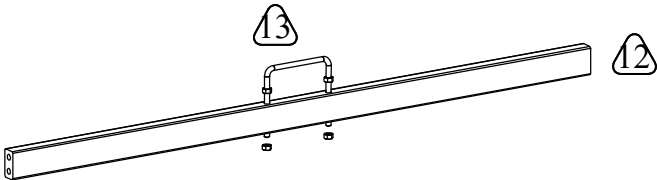
F 
M6*5
12PCS




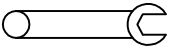


BUNK BED

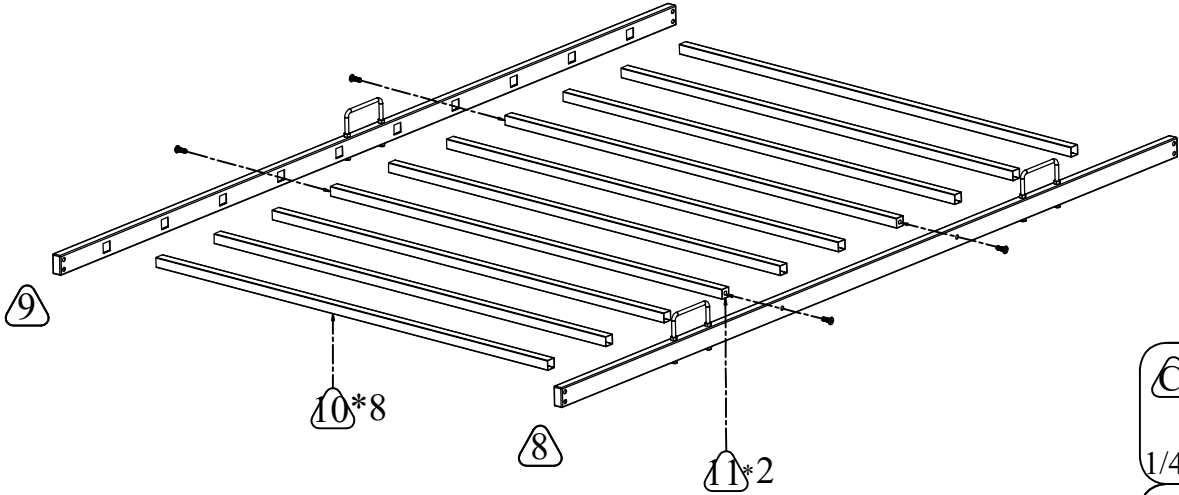
ASSEMBLY INSTRUCTIONS





STEP 9: 2 SET



	
M6"*5 8PCS	
	

STEP 10

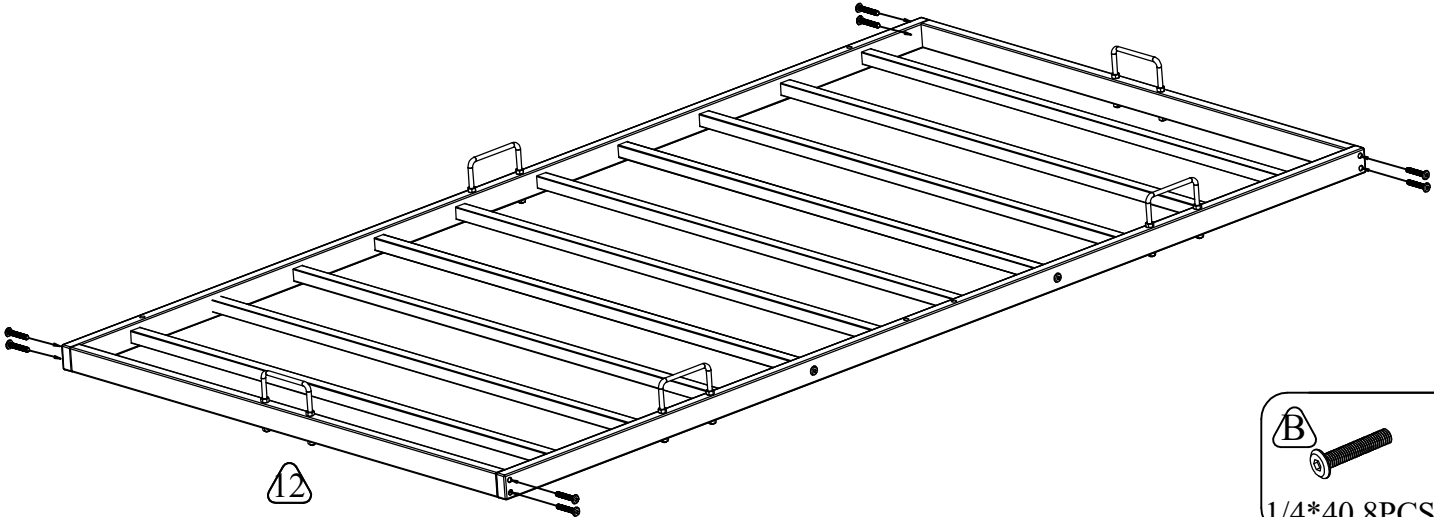


	
1/4"*15 4PCS	
	

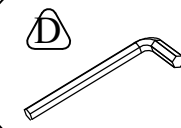
BUNK BED

ASSEMBLY INSTRUCTIONS

STEP 11



B
1/4*40 8PCS



STEP 12

