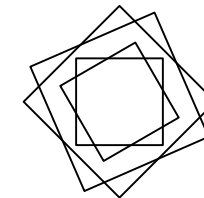
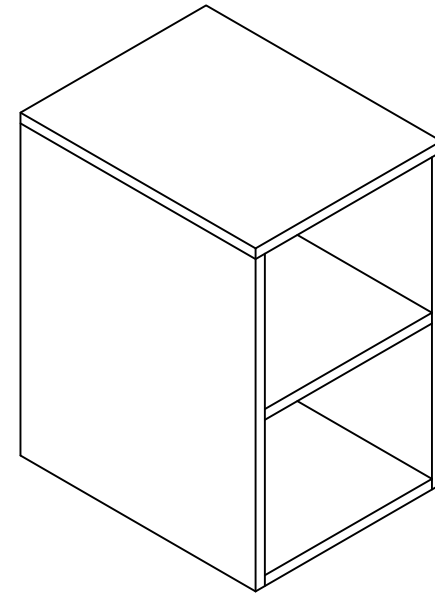


THANKS FOR WATCHING

Your feedback is invaluable to us and we would love to hear about your experience. Please take the time to leave us a review.

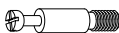







Thank you for shopping with us!

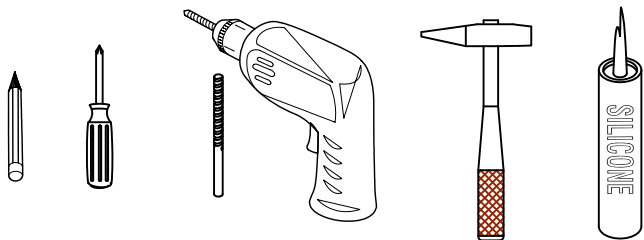
We encourage you to take a few minutes to go through this booklet. It contains important information on installation and care tips to keep your furniture looking as good as new.

Item NO.:BV H12112

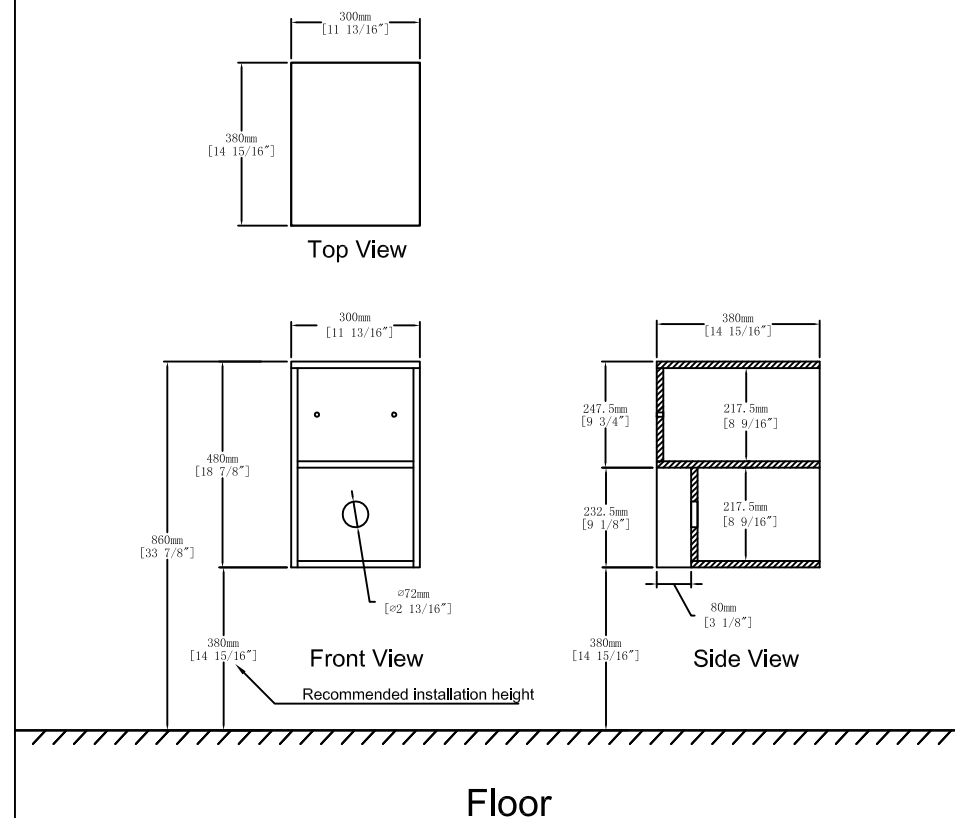
Hardware

NO.	Draw	QTY	NO.	Draw	QTY
A	 Two-in-one connector	24	D	 Plastic anchor(Ø10mm)	2
B	 Two-in-one connector	24	E	 Screws for fix on the wall	2
C	 Wood plug	6	F	 Screwdriver	1

Recommended tools

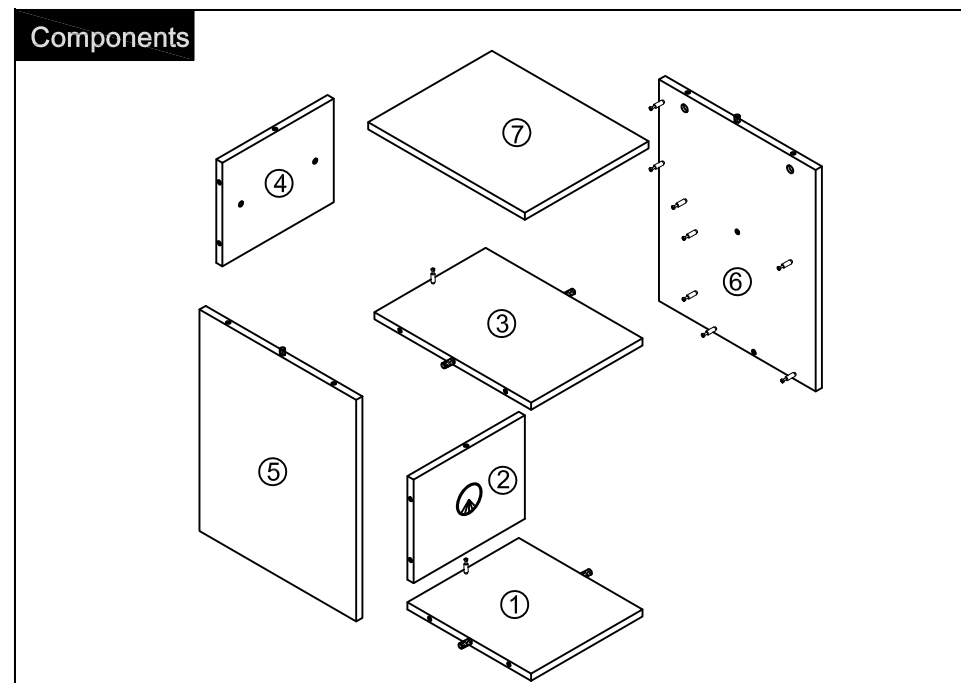
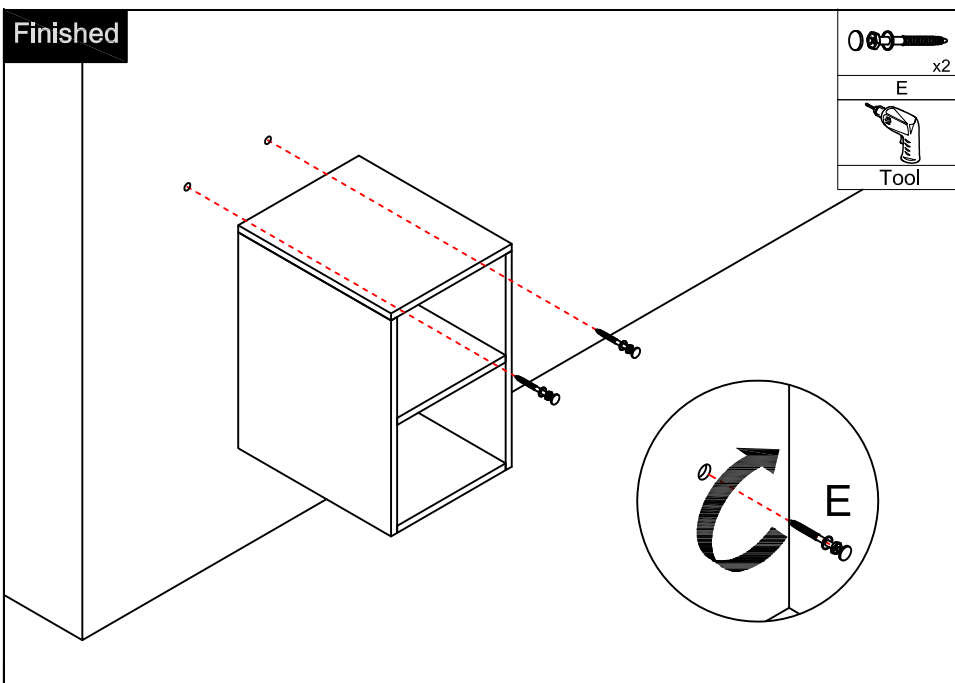
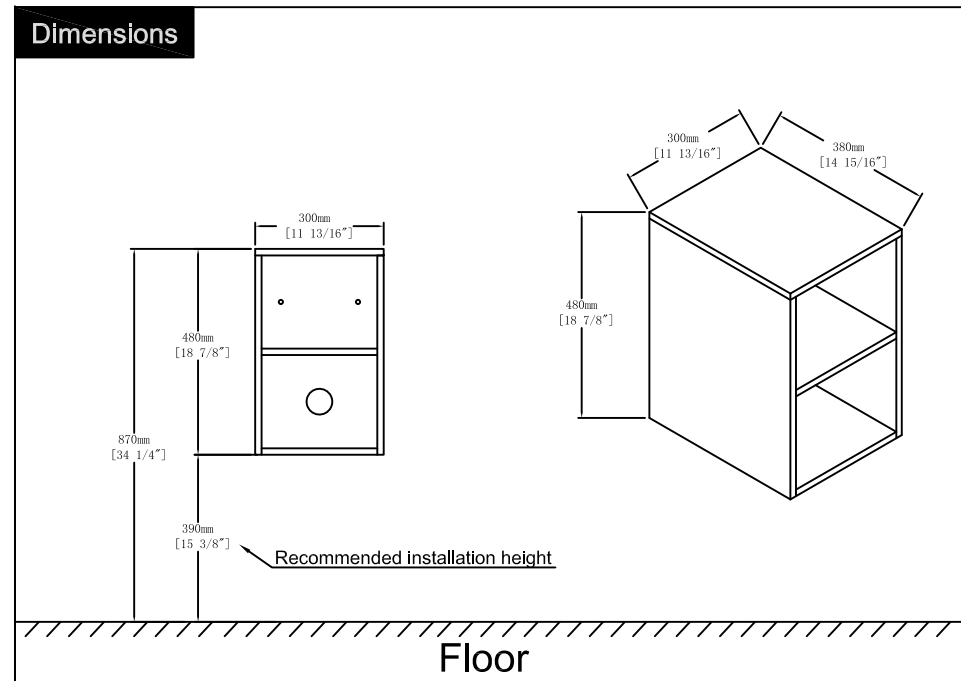
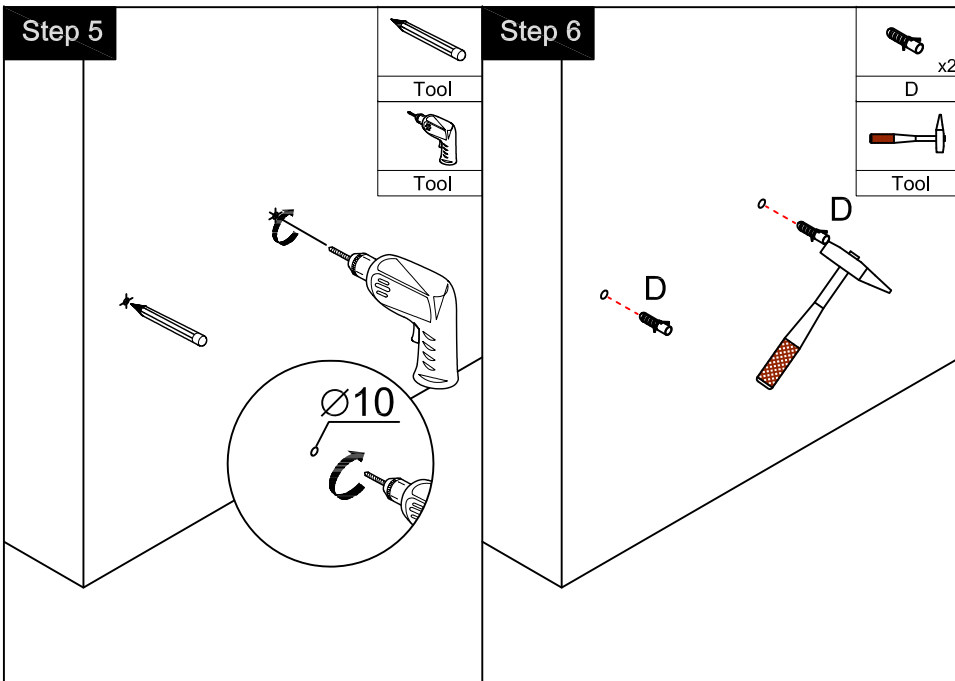


Dimensions



CARE CLEANING AND MAINTENANCE

1. Dust regularly with a soft , dry cloth.
2. Avoid the use of all chemicals household cleaners, abrasives, or cleaners that contain lemon, vinegar, or other acids that may damage the finish.
3. Excessive exposure to sunlight and extreme changes in temperature and moisture can damage wood furniture.
4. Do not place hot appliances, such as curling irons and hot hair dryers directly on the countertop. Wipe spills immediately.



Step 1

	x3
A	
	x3
B	
F	

Notes: Screw installation depth as shown

Attention: Cam lock arrow point to the steel rod.

Step 2

	x8
A	
	x8
B	
	x2
C	
F	

Note: The C parts are used for these two holes

first step second step third step

Step 3

	x8
A	
	x8
B	
	x2
C	
F	

Note: The C parts are used for these two holes

Step 4

	x5
A	
	x5
B	
	x2
C	
F	

Note: The C parts are used for these two holes