




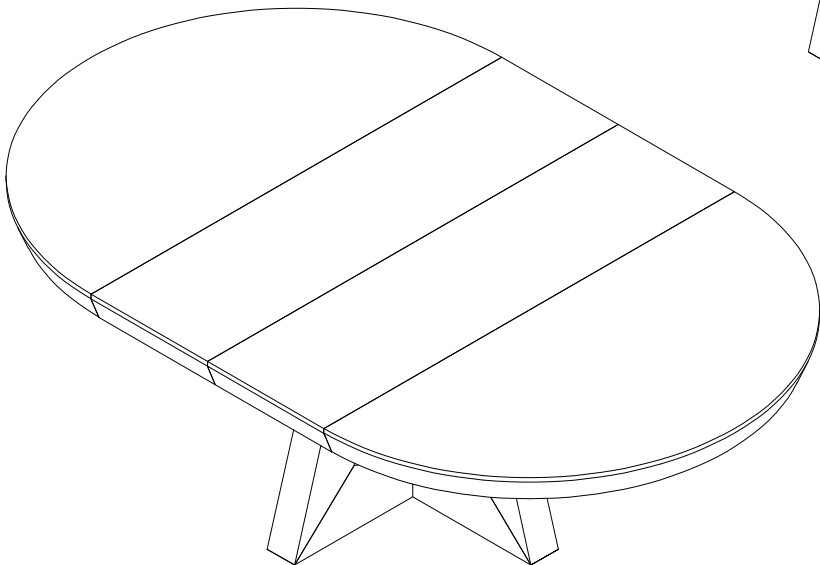
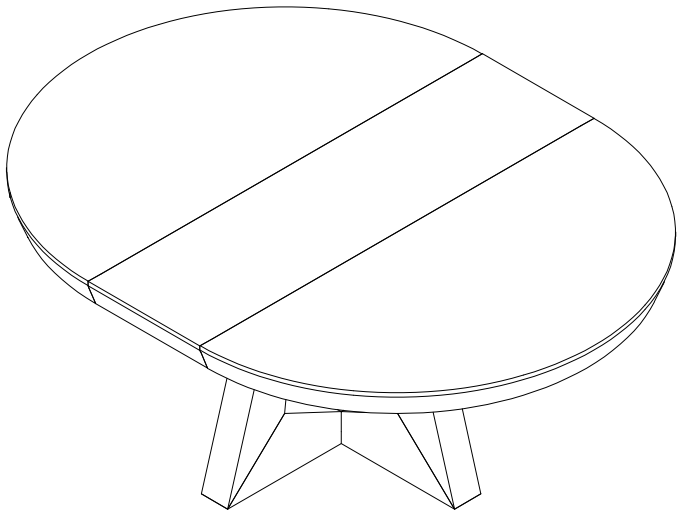
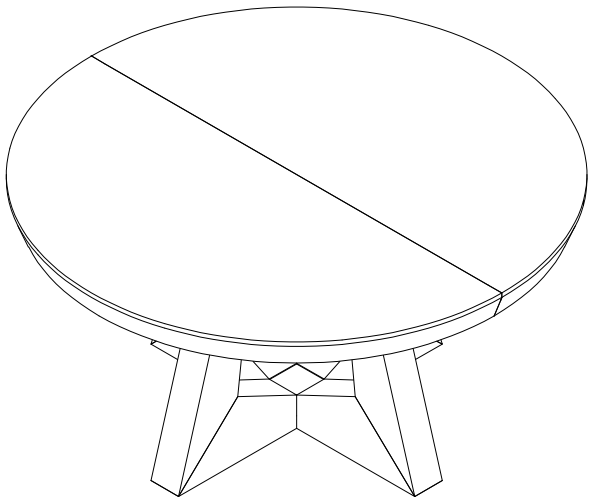


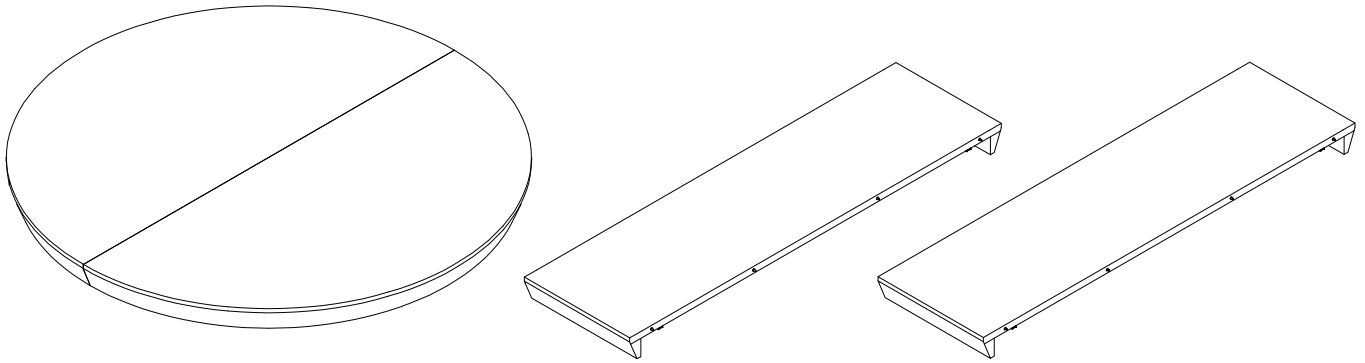
ASSEMBLY INSTRUCTION FOR ROUND EXT TABLE

Hardware List				
A		Bolt	8x60mm	1
B		Bolt	8x40mm	16
C		Spring washer	8mm	17
D		Flat Washer	8x19mm	17
E		Allen Key	5mm	1



Component List

Table top and extension leaf



Mounting plate

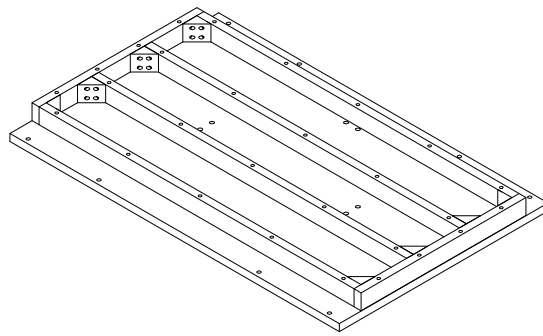
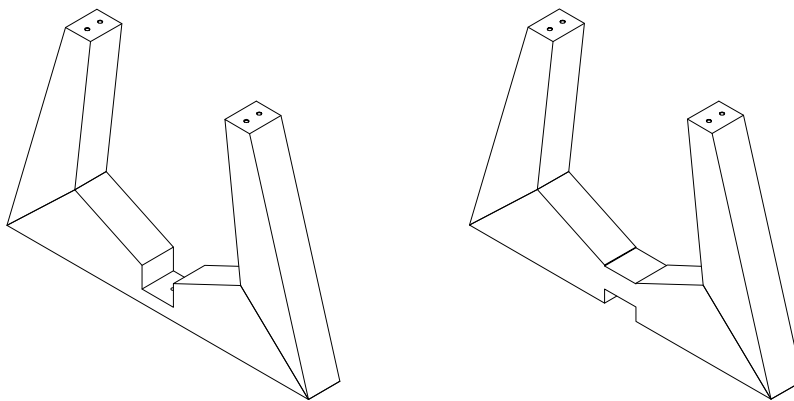
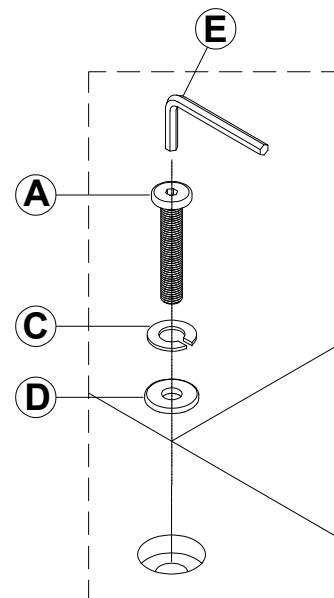
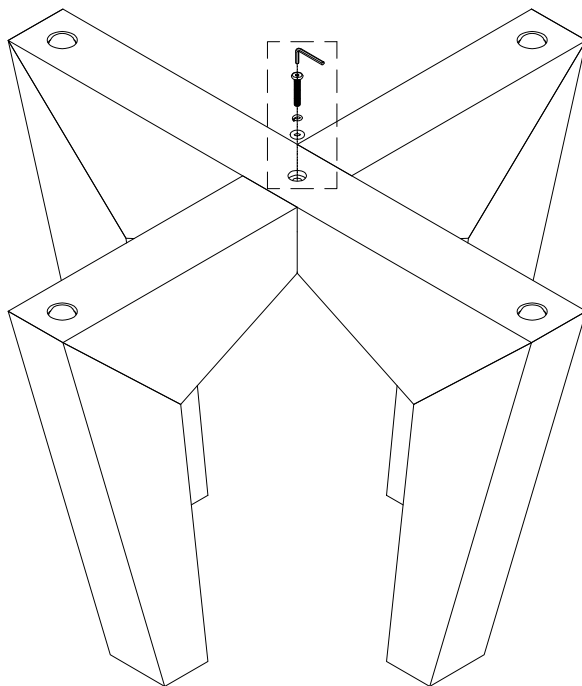
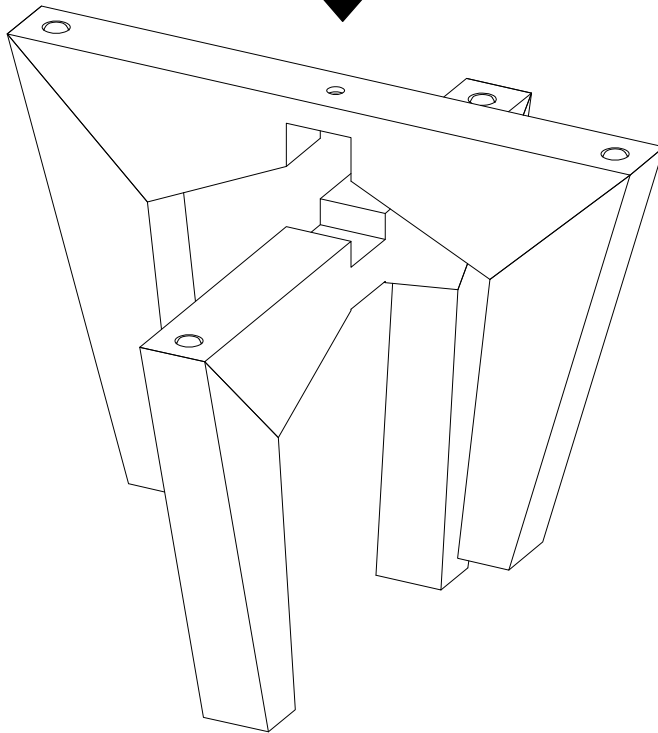


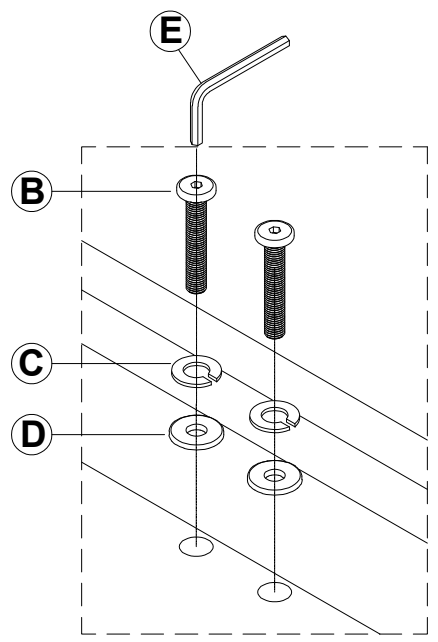
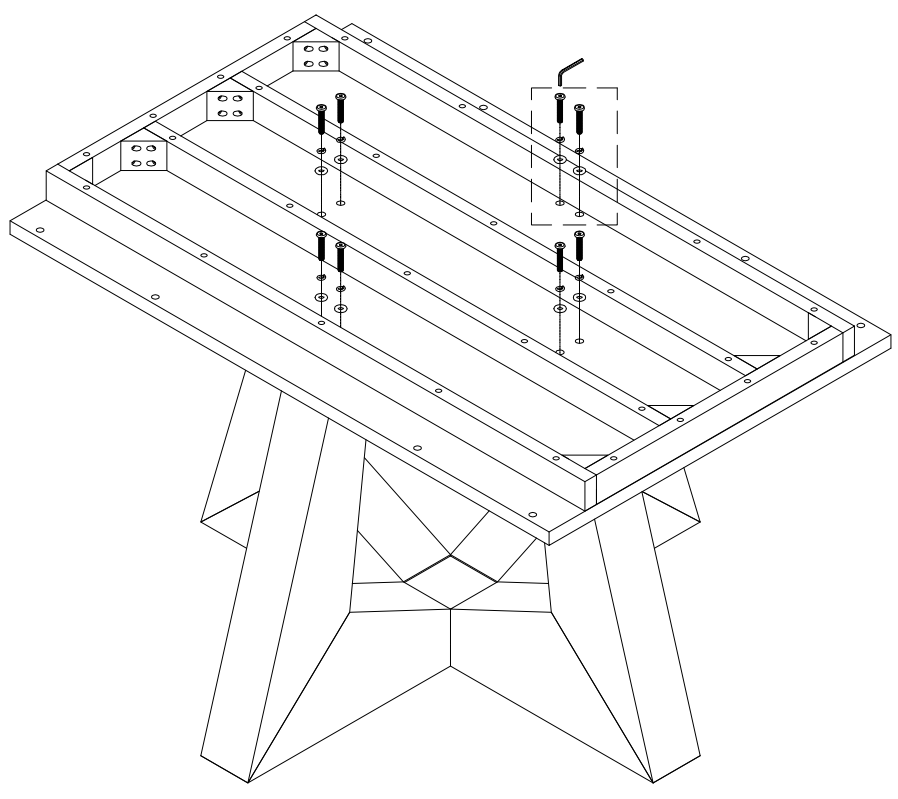
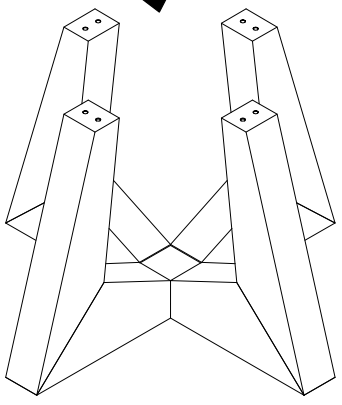
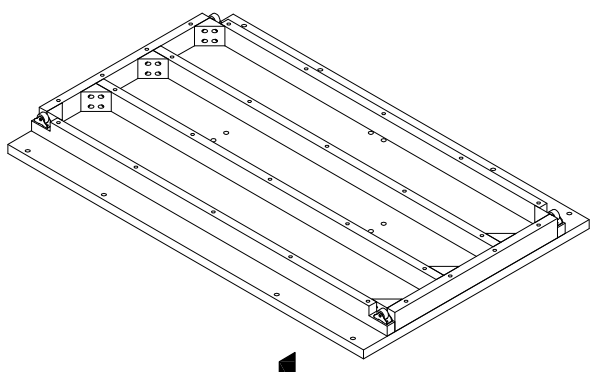
Table base



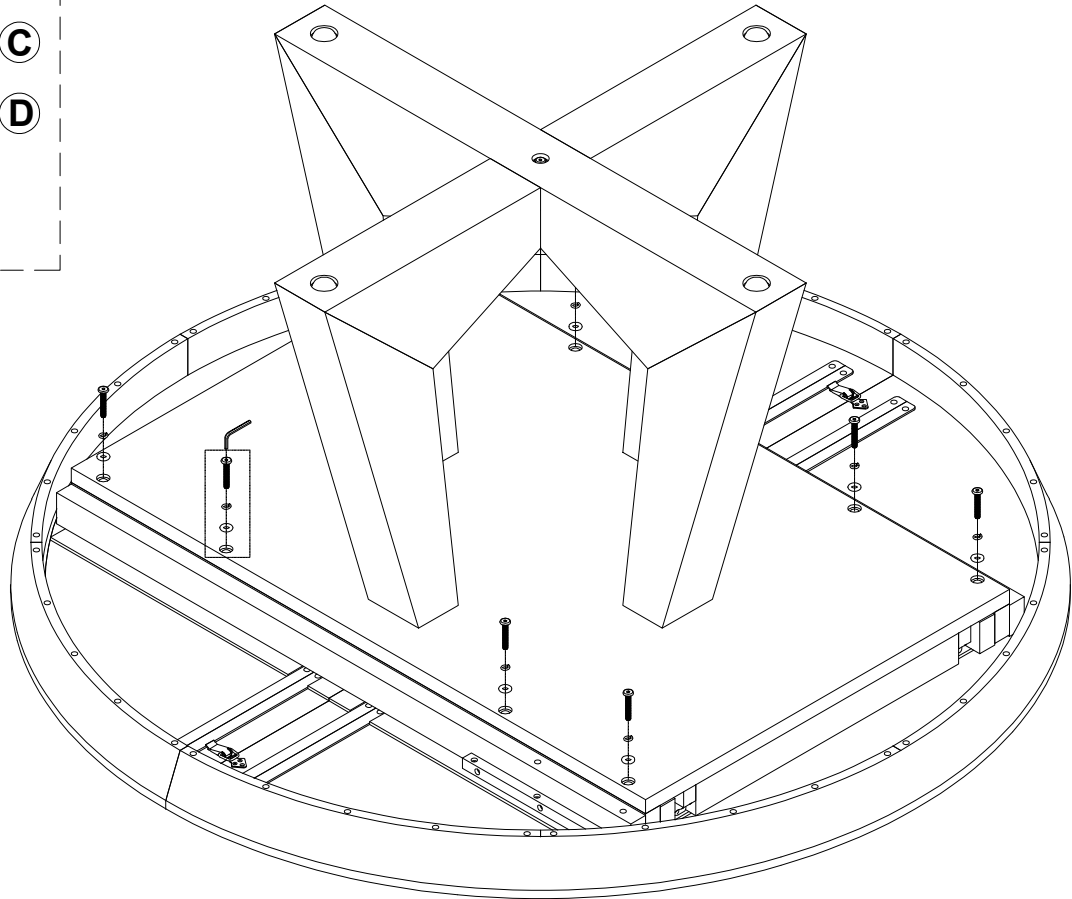
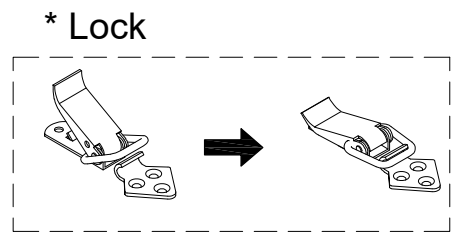
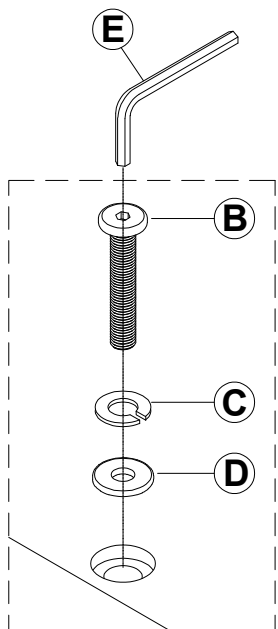
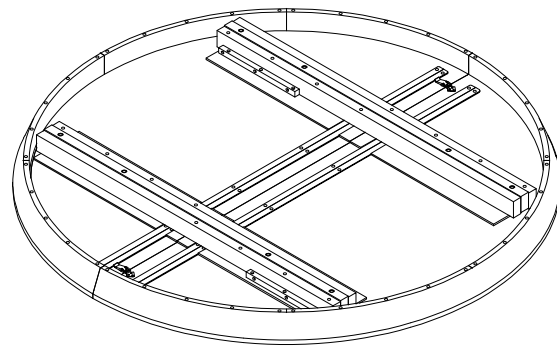
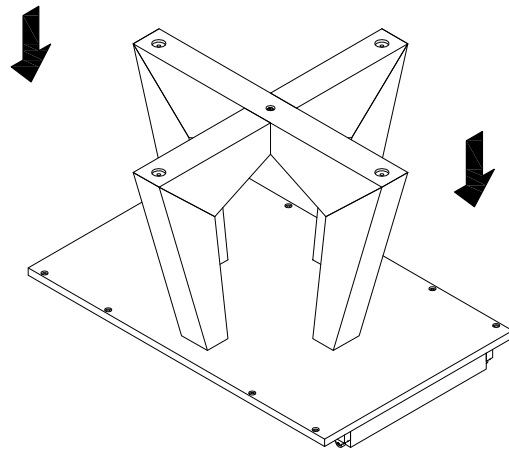
Step 1



Step 2

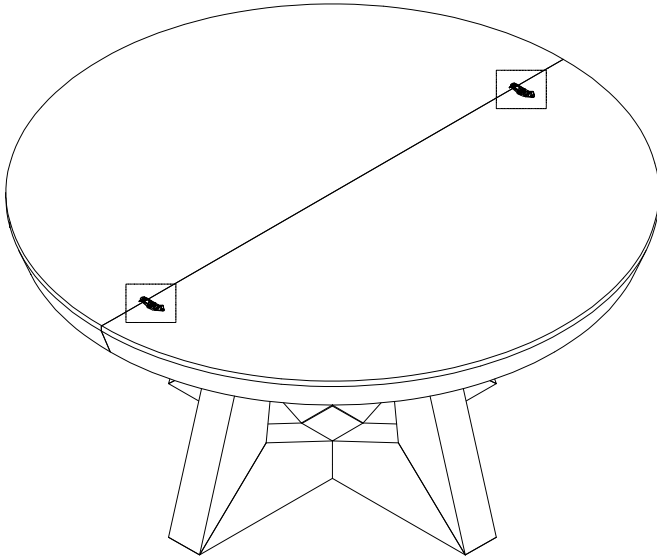


Step 3

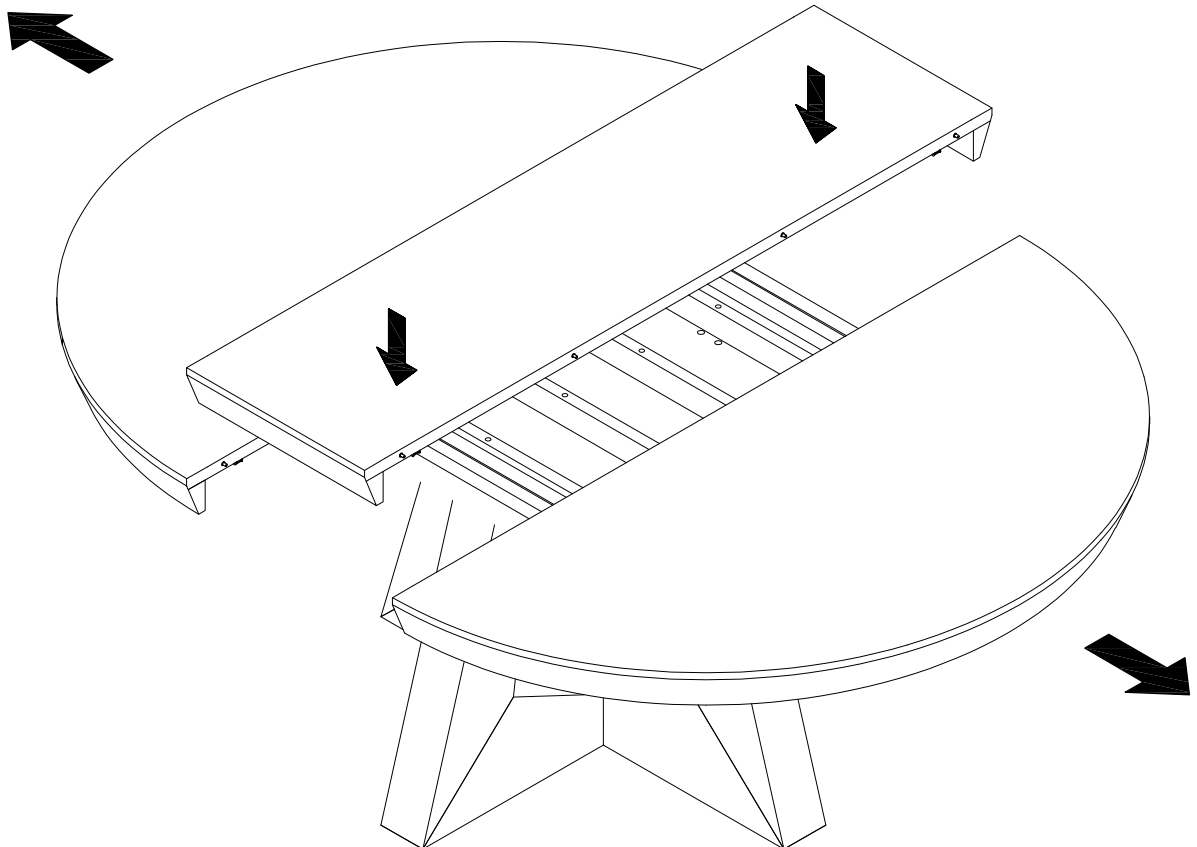
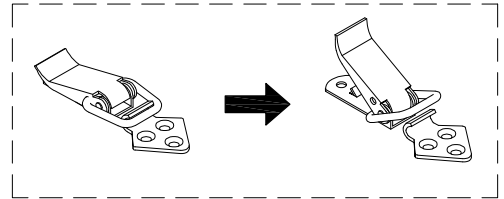


OPTION 1

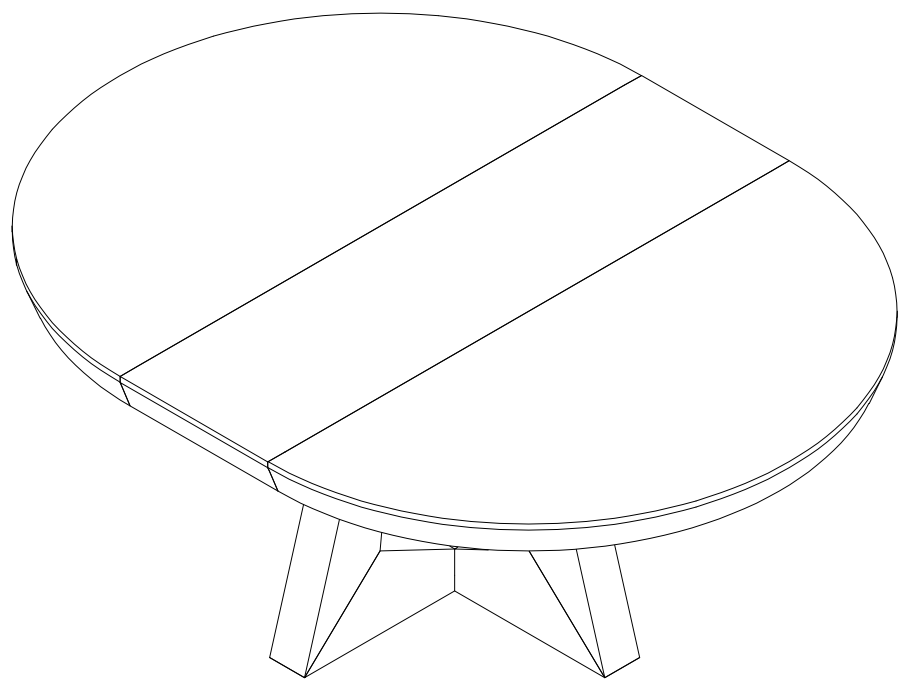
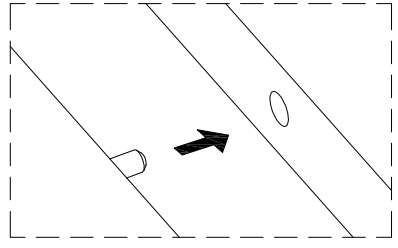
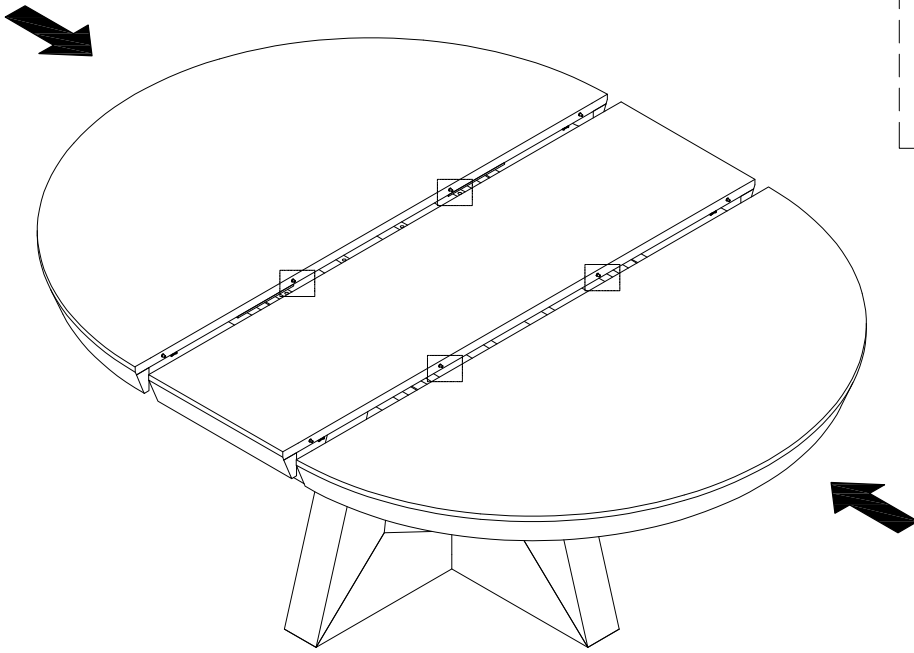
Step 4



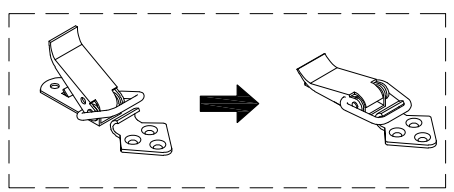
* Unlock



Step 5

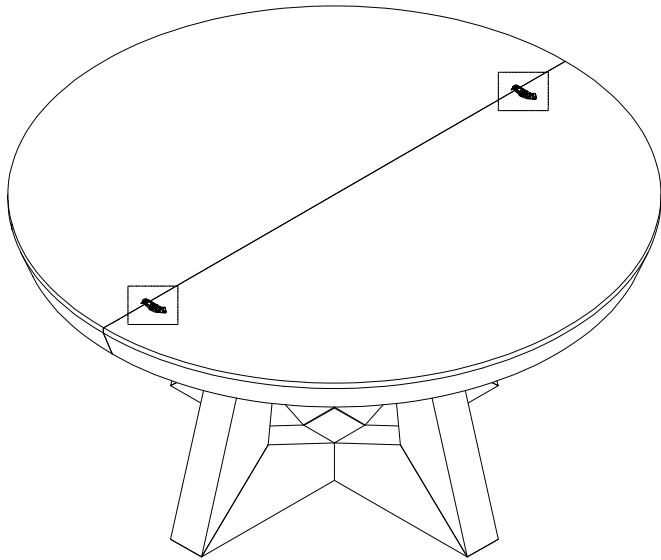


* Lock

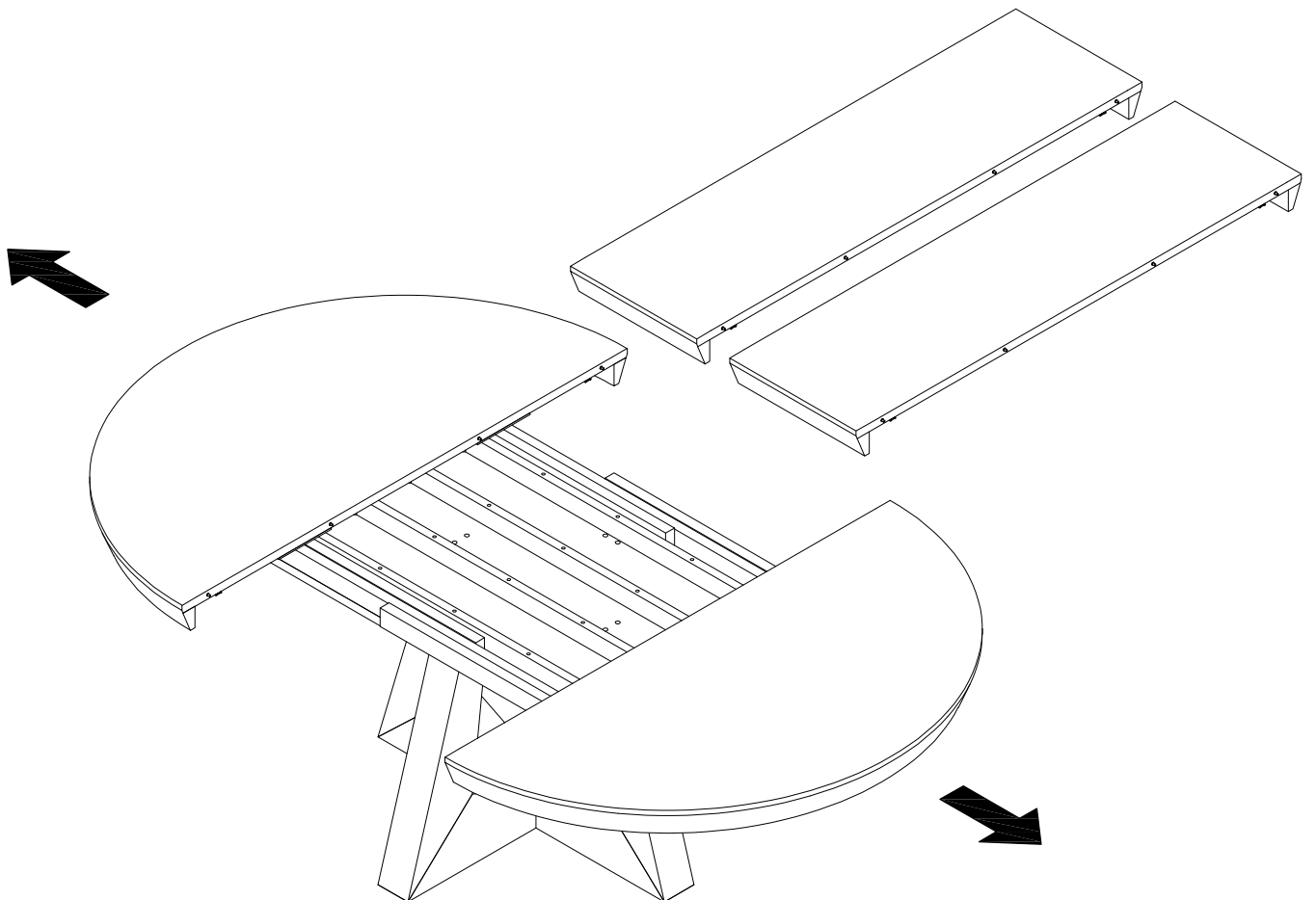
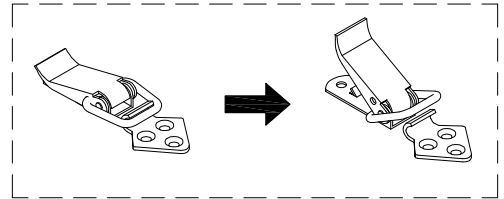


OPTION 2

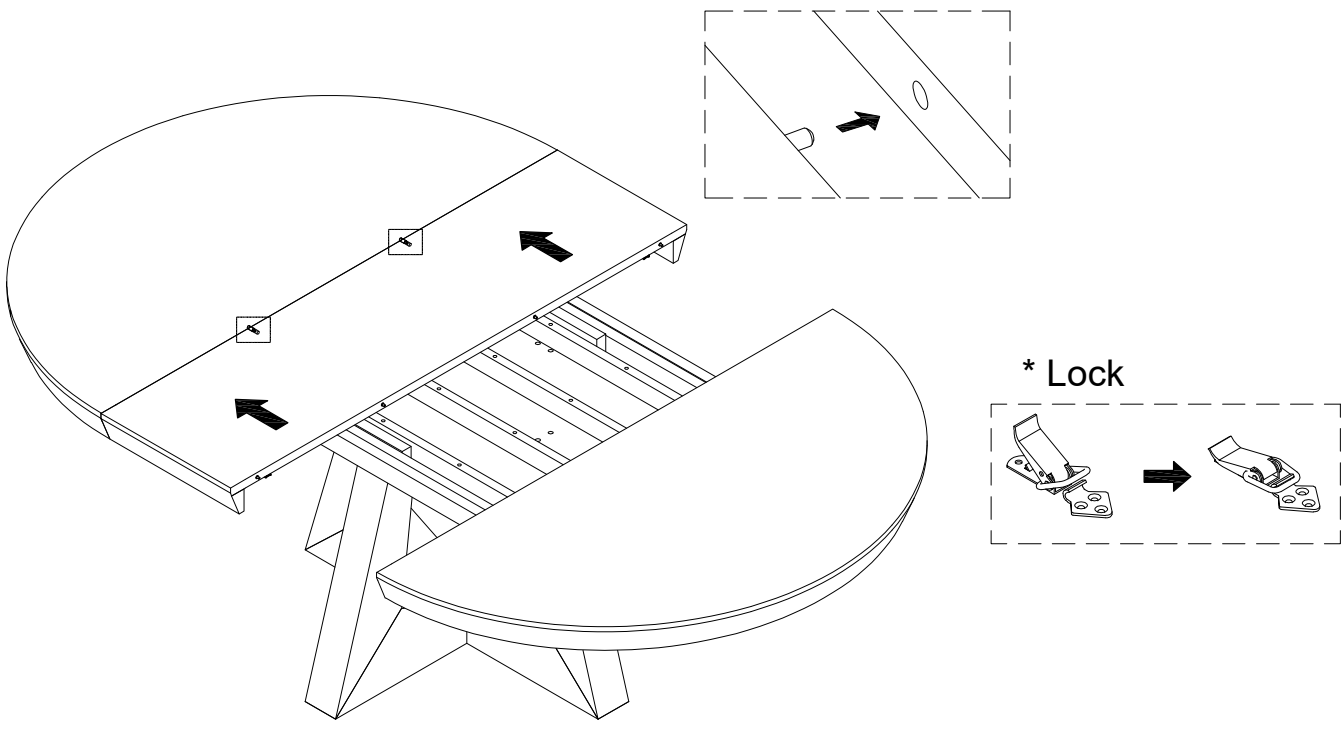
Step 4



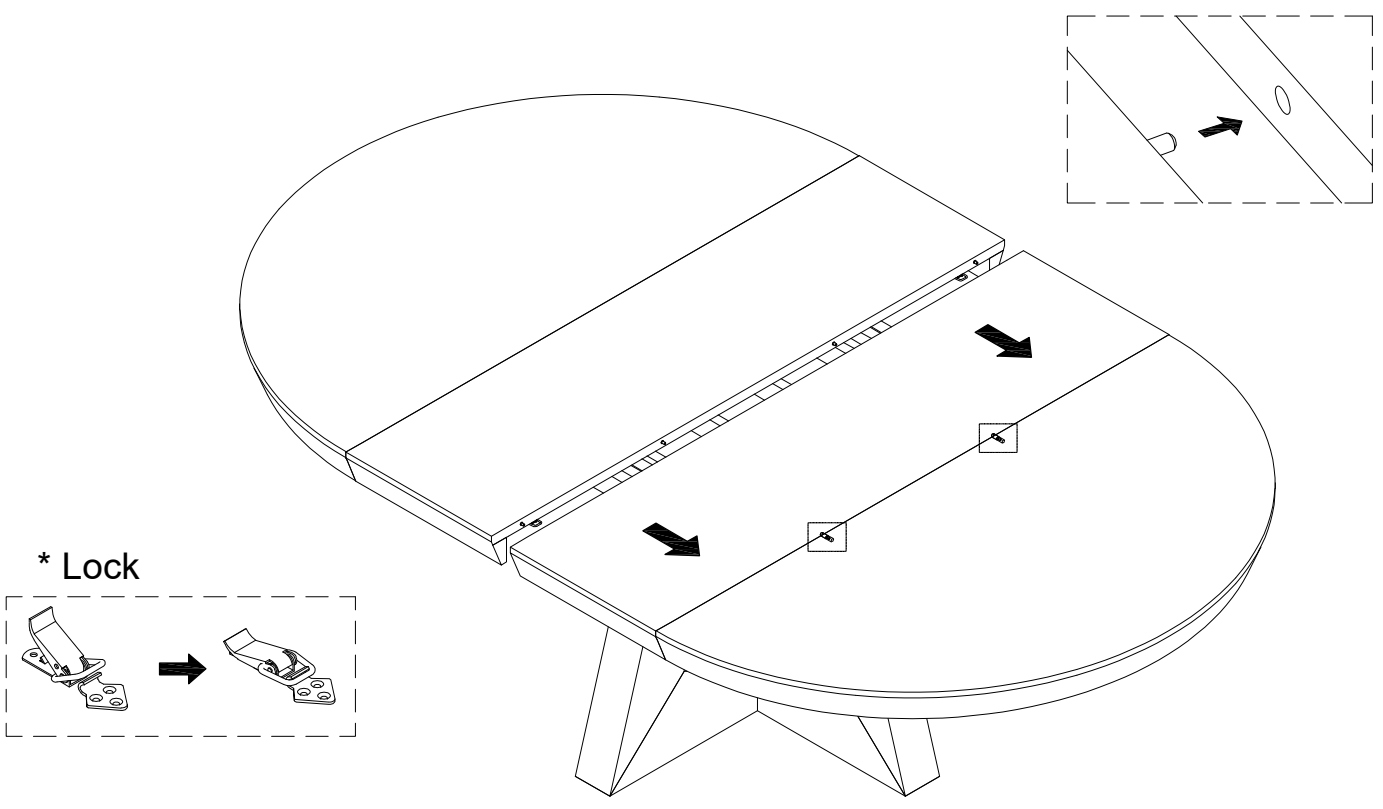
* Unlock



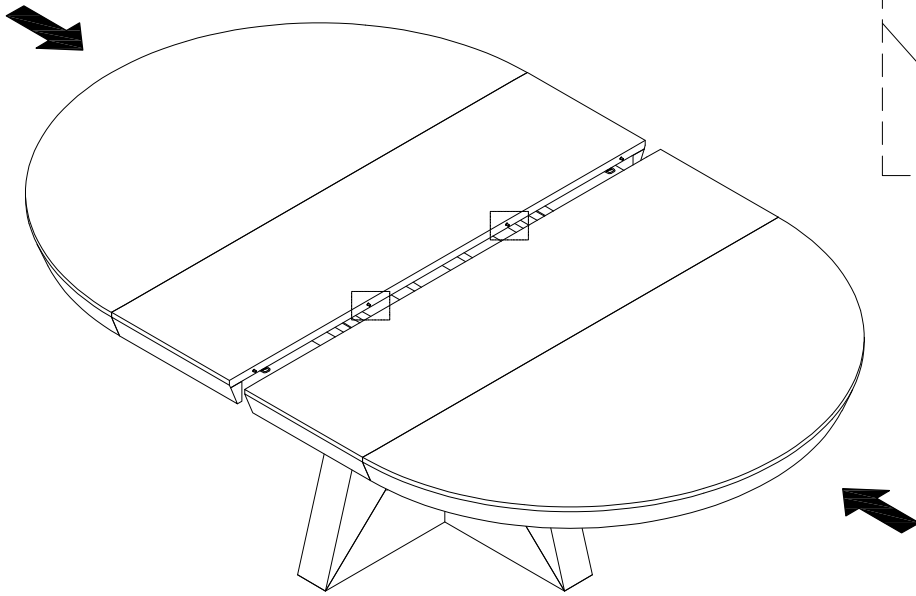
Step 5



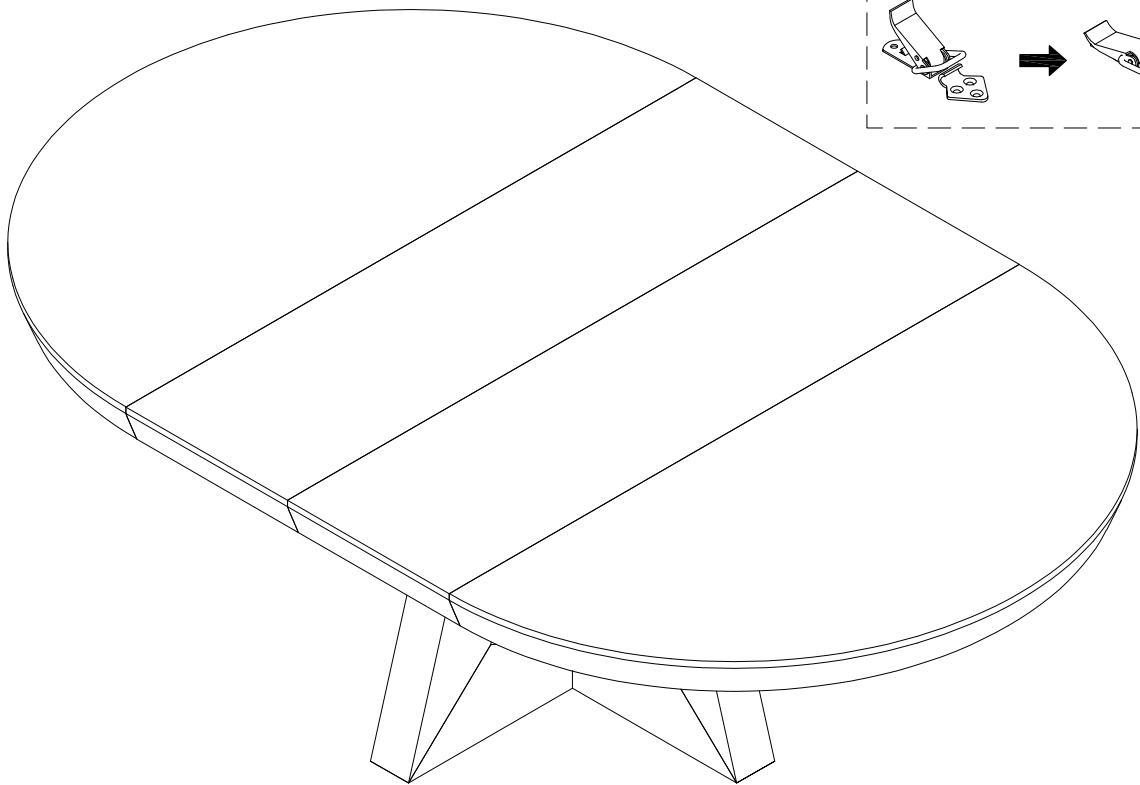
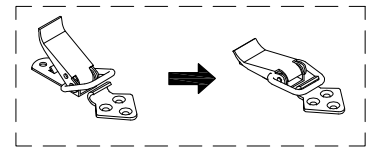
Step 6



Step 7



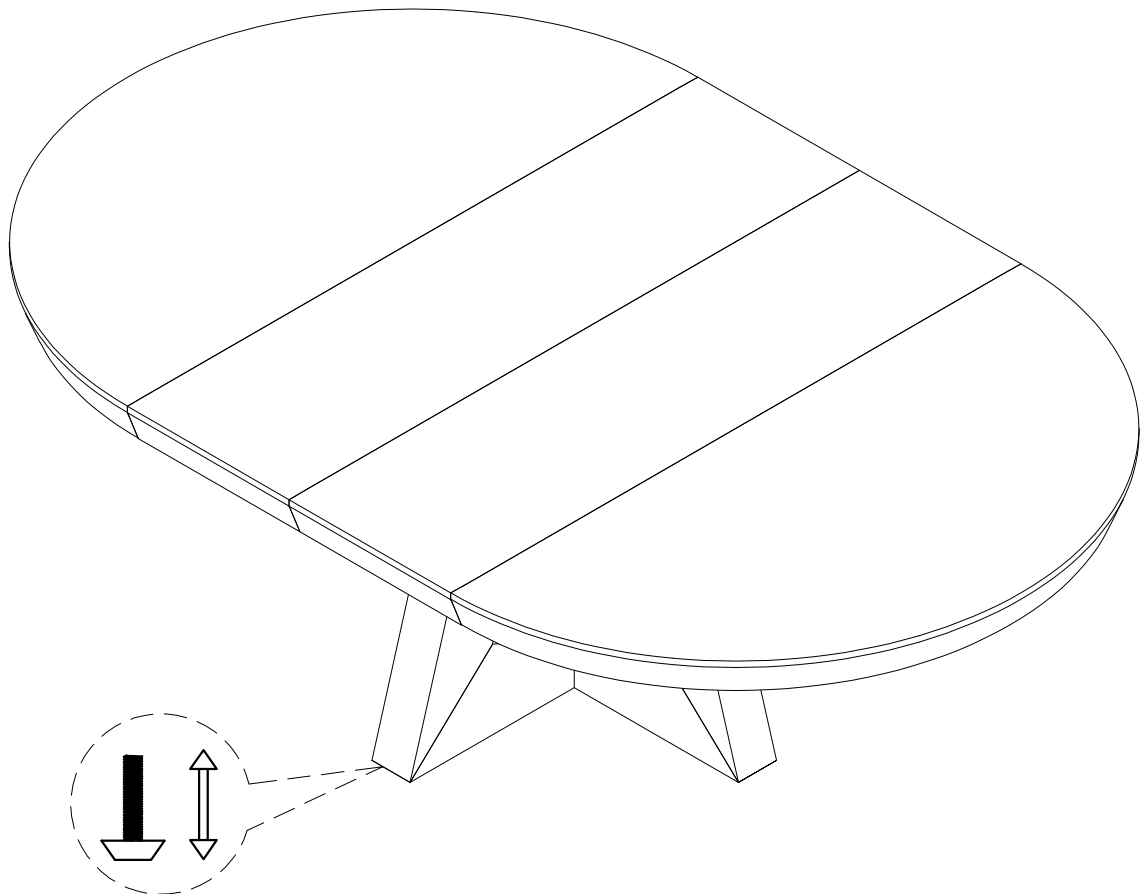
* Lock



Step 8

Adjusting floor levelers and door hinges

Your furniture has been expertly crafted and re-adjusted by professionals. However, slight shifts can occur during transportation. If you notice the furniture wobbles, a quick adjustment can help ensure stability and a seamless look.



Adjusting Floor Levelers

Check for stability - Place the furniture in its final position on a level surface. If it wobbles or doesn't sit evenly, the floor levelers need adjusting.

Locate the levelers - These are small adjustable feet found at the bottom corners of your furniture.

Adjust as needed - Using your hand or a wrench, turn the levelers clockwise to raise or counterclockwise to lower the furniture. Make small adjustments and check stability after each turn.

If you need further adjustments, repeat the process in small increments.