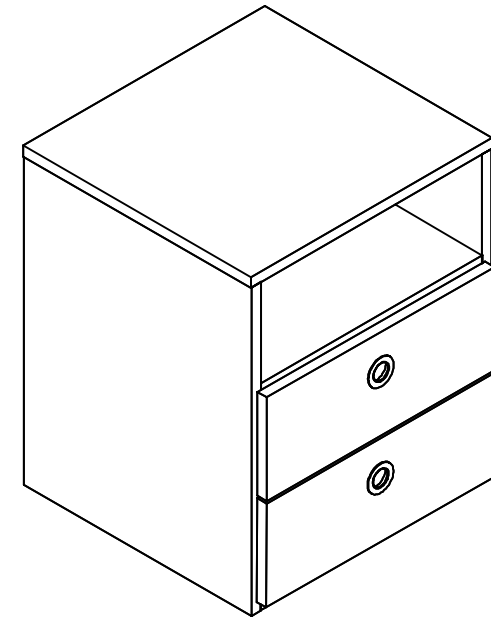
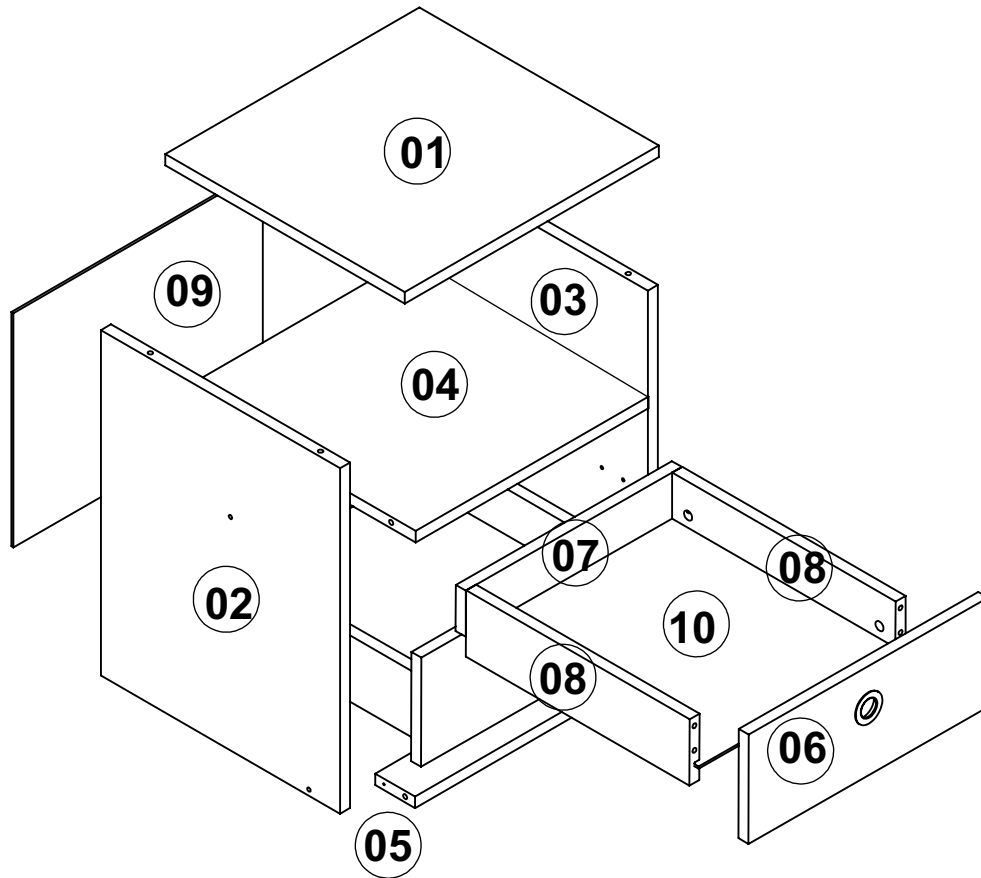


Installation & Assembly



We're thrilled to have you as a customer and to be part of your home.
Your trust means the world to us, and we hope you'll think of us for future home furnishing needs.
Your feedback is incredibly valuable as we continue to design products that bring your dreams to life.

ASSEMBLY INSTRUCTIONS




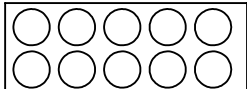
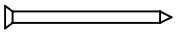


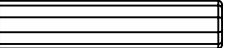


COD	DESCRIPTION	DIMENSIONS	QTY
01	TOP	15"x 14 1/8"x 5/8"	01
02	LEFT SIDE	17 3/4"x 14 1/8"x 5/8"	01
03	RIGHT SIDE	17 3/4"x 14 1/8"x 5/8"	01
04	SHELF	14 1/8"x 13 3/4"x 5/8"	01
05	BOTTOM	13 3/4"x 2 3/8"x 5/8"	01
06	FRONT OF THE DRAWER	14 1/8"x 5 5/8"x 5/8"	02
07	BACK OF THE DRAWER	12 3/4"x 2 3/8"x 5/8"	02
08	SIDE OF THE DRAWER	13 1/4"x 3 3/8"x 5/8"	04
09	BACK	14 3/4"x 12"x 1/8"	01
10	BOTTOM OF THE DRAWER	13 7/8"x 12 1/8"x 1/8"	02

IMPORTANT: PLEASE READ THE INSTRUCTIONS CAREFULLY BEFORE ASSEMBLY.

NECESSARY TOOLS:



A		FOOT	04
B		SCREW $\varnothing 3,5 \times 14$ CC	12
C		SCREW $\varnothing 3,5 \times 40$ CC	04
D		STICKER 12 MM	04
E		NAIL 10X10	24
G		CORNER 18X18	02
H		SCREW $\varnothing 6 \times 10$ CC	08
I		WOOD DOWEL $\varnothing 6 \times 30$ MM	18

RECOMMENDATIONS:


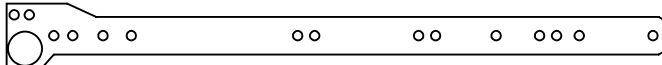


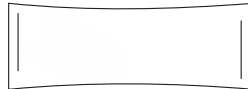
- 01 – Carefully check all parts before starting assembly.
- 02 – We strongly recommend assembling this product by following the steps provided in this Instruction Manual.
- 03 – It is the assembler's responsibility to ensure that the furniture is properly assembled according to the instructions.
- 04 – Make sure all bolts, nuts, and screws are securely fastened, but be careful not to overtighten them.

CLEANING:

- 01 – Wipe with a cloth slightly dampened with water.
- 02 – Avoid using chemicals or abrasive cleaners.

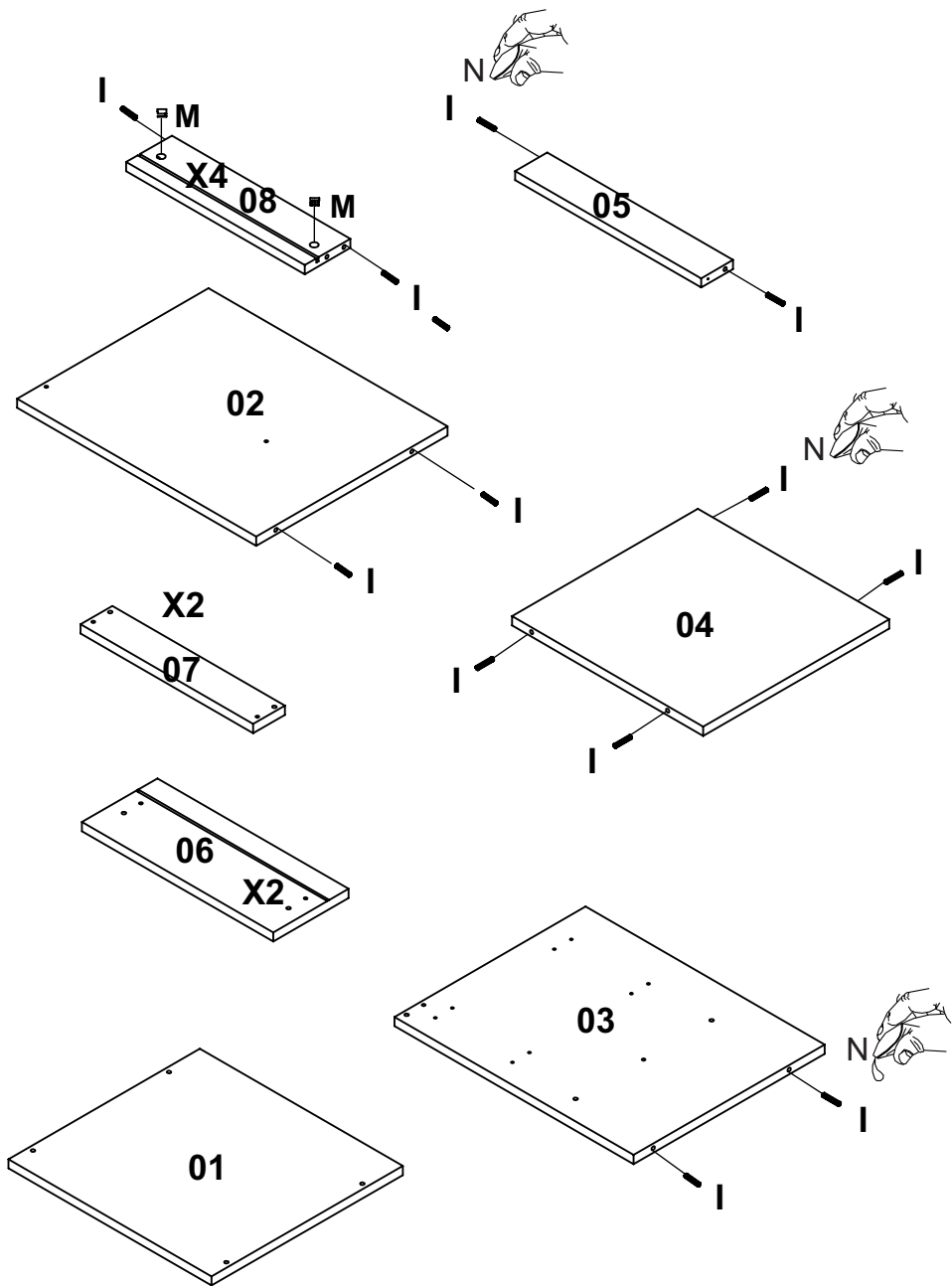
WARNINGS:

- 01 - Keep the product away from open flames and other heat sources, such as electric or gas heaters.
- 02 - Do not use the product if any parts are broken, torn, or missing. Only use manufacturer-approved replacement parts.

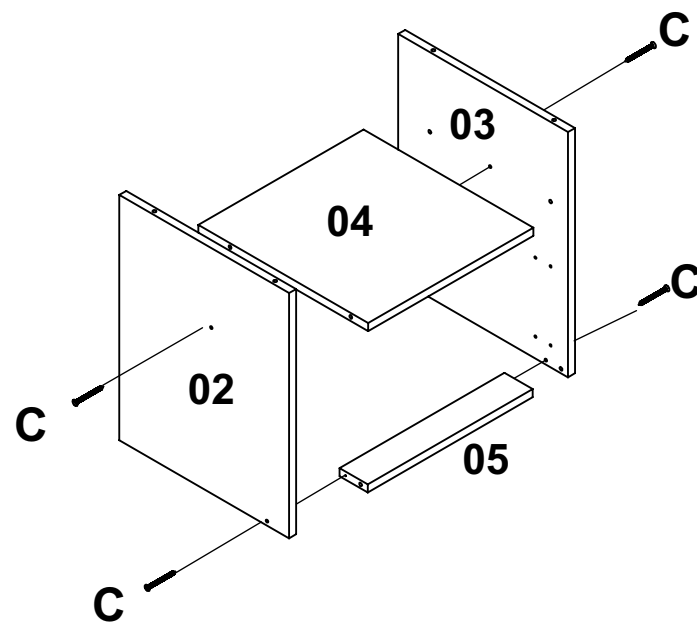
J		PULL	02
K		SLIDE 350 MM	02
L		MINIFIX SCREW	08
M		MINIFIX DRUM 12MM	08
N		GLUE	01

01

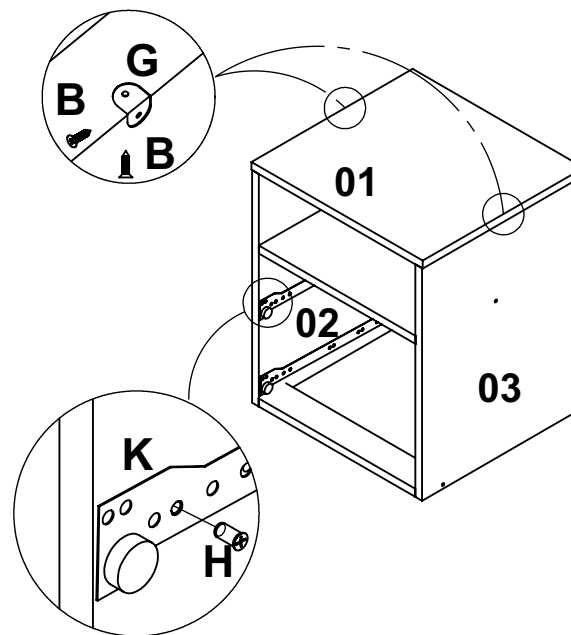
PLACE GLUE "N" ON DOWELS "I".



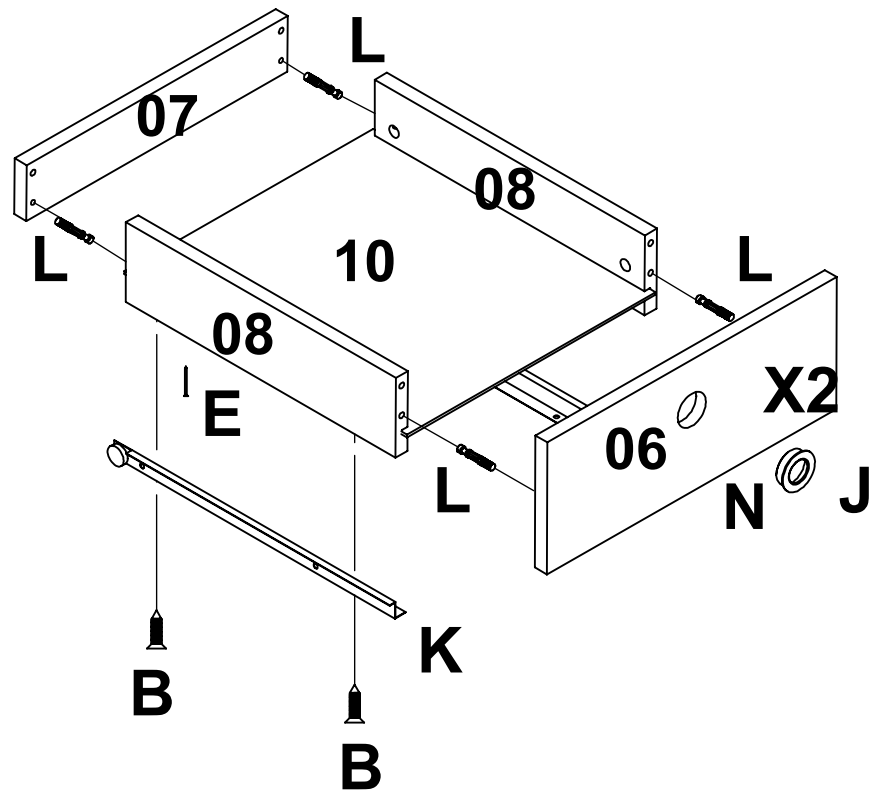
02



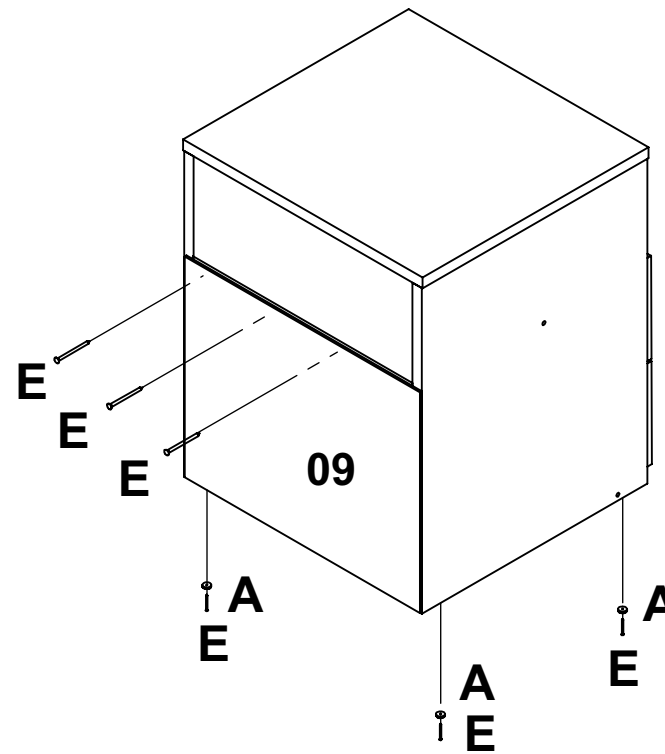
03



04



05



MAXIMUM WEIGHT CAPACITY: 77,16 lbs