

ASSEMBLY INSTRUCTION

NOTES:

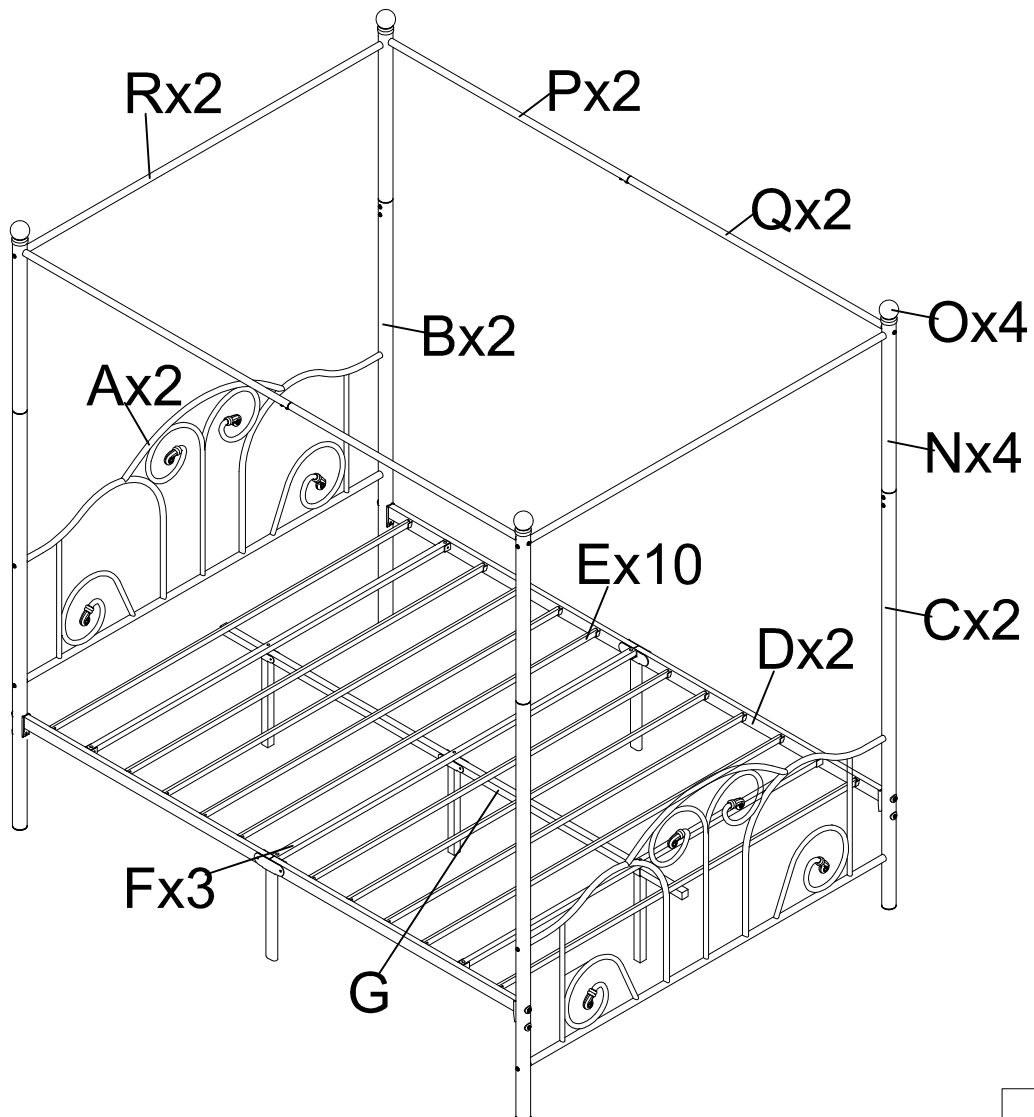
- Do not skip any step.
- Do not fully tight screws until all the bed parts are assembled.

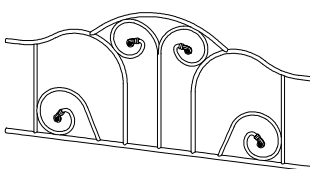

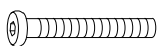
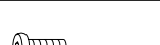




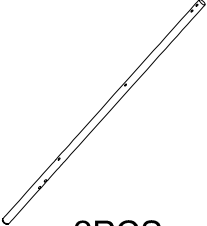
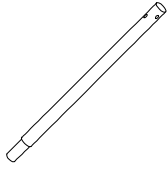
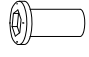

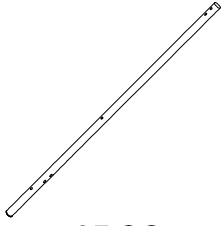
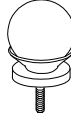
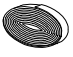
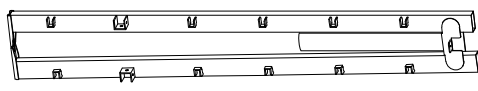
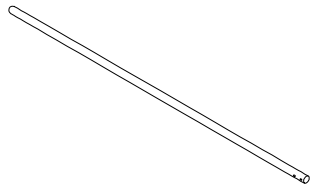

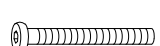
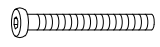

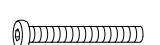

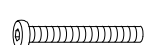


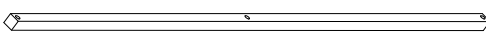
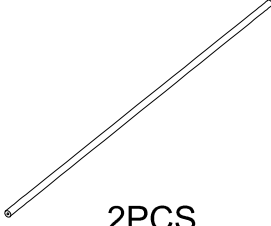
WARNING:

- WARNIND FOR YOUNG CHILDREN-This product contains small components,please ensure that they are kept away from small children while assembling.

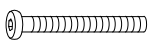


Warranty Information:

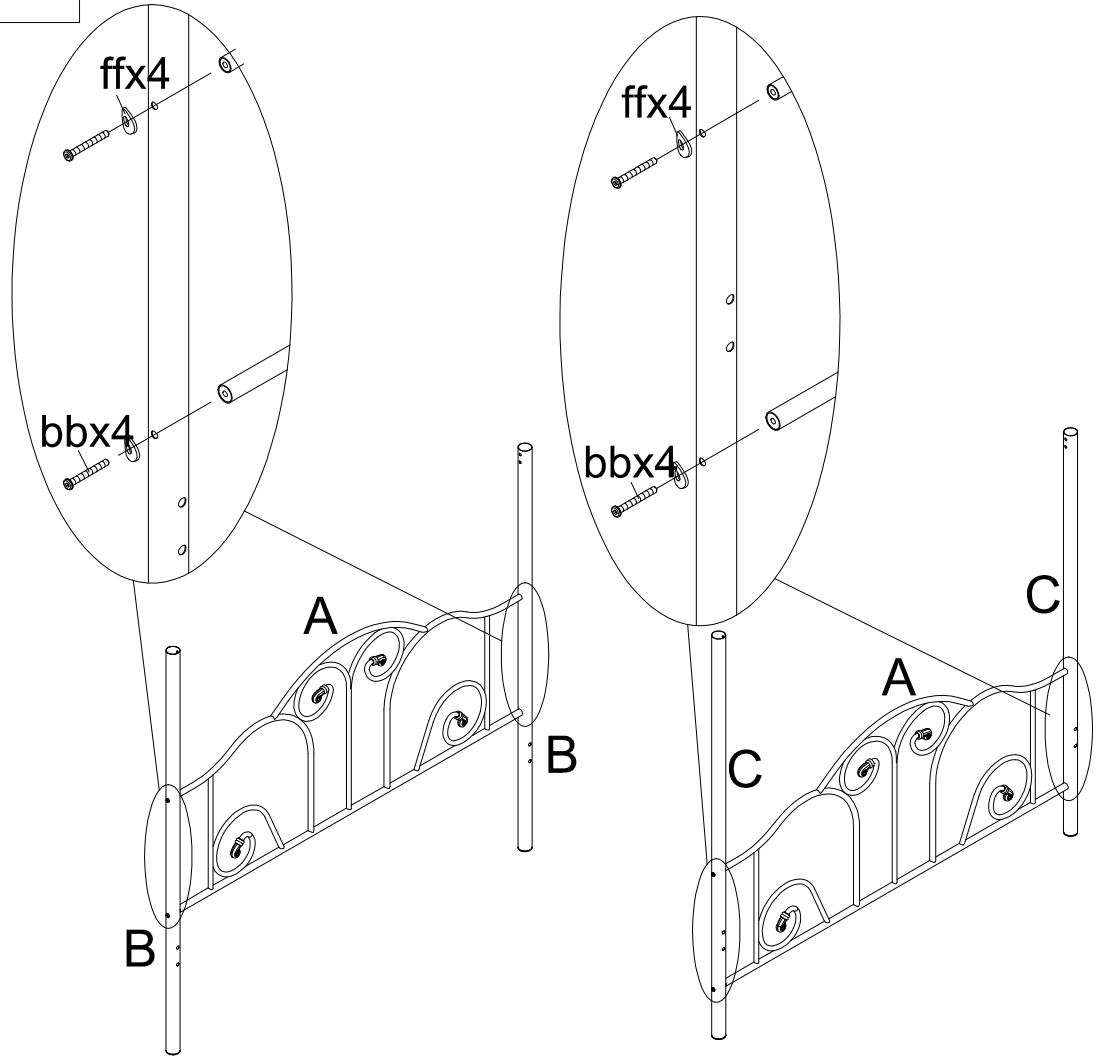
- We warranty this product to be free from defects in materials.This warranty covers one year from the date of original purchase.



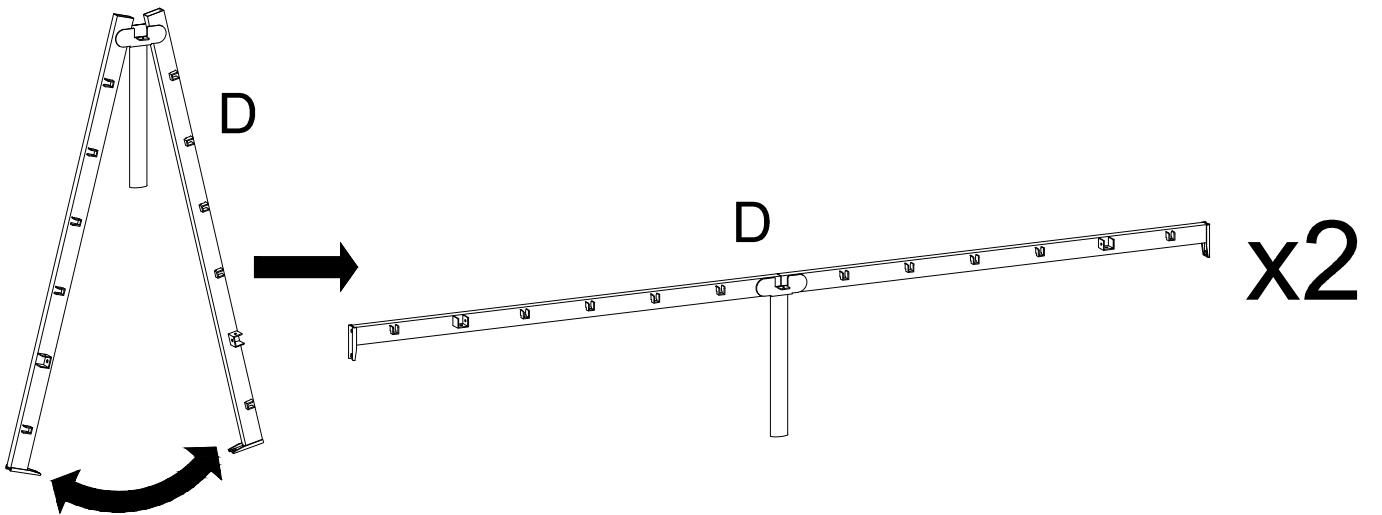
<p>A</p>  <p>2PCS</p>	<p>G</p>  <p>1PC</p>	aa	 M8x55	4			
		bb	 M6x55	19			
		cc	 M6x35	4			
		dd	 M6x30	6			
		ee	 M6x12	12			
<p>B</p>	<p>N</p>	ff		24			
 <p>2PCS</p>	 <p>4PCS</p>	gg		4			
<p>C</p>	<p>O</p>	hh		2			
 <p>2PCS</p>	 <p>4PCS</p>						
<p>D</p>	<p>P</p>	ii		1			
 <p>2PCS</p>	 <p>2PCS</p>						
<p>E</p>	<p>Q</p>	<p>SPARE</p>					
 <p>10PCS</p>	 <p>2PCS</p>				aa		1
					bb		1
					cc		1
					dd		1
					ee		1
					ff		1
<p>F</p>	<p>R</p>	gg		1			
 <p>3PCS</p>	 <p>2PCS</p>						
<p style="text-align: right;">2/7</p>							

Step 1

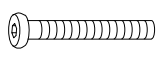
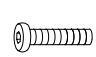

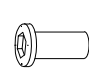
bb		M6x55	8
ff			8
hh			1

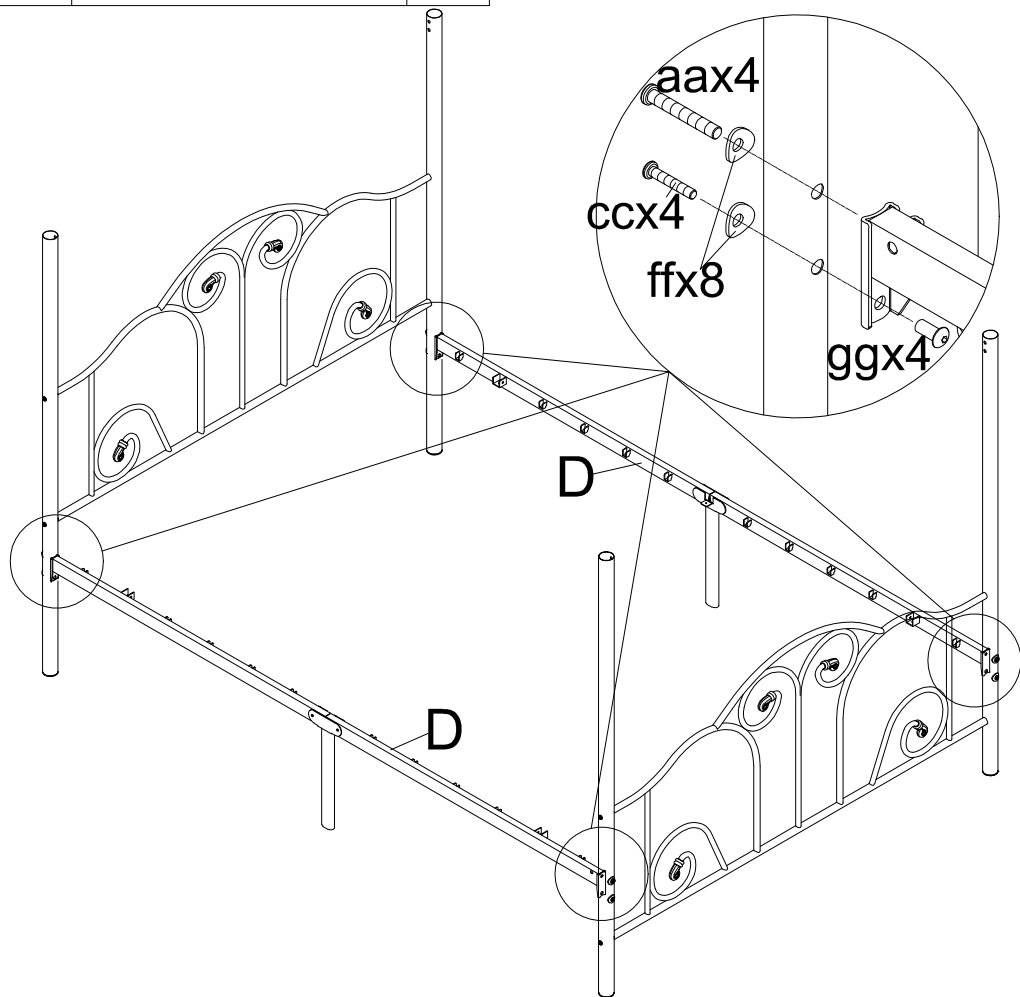


Step 2

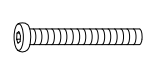



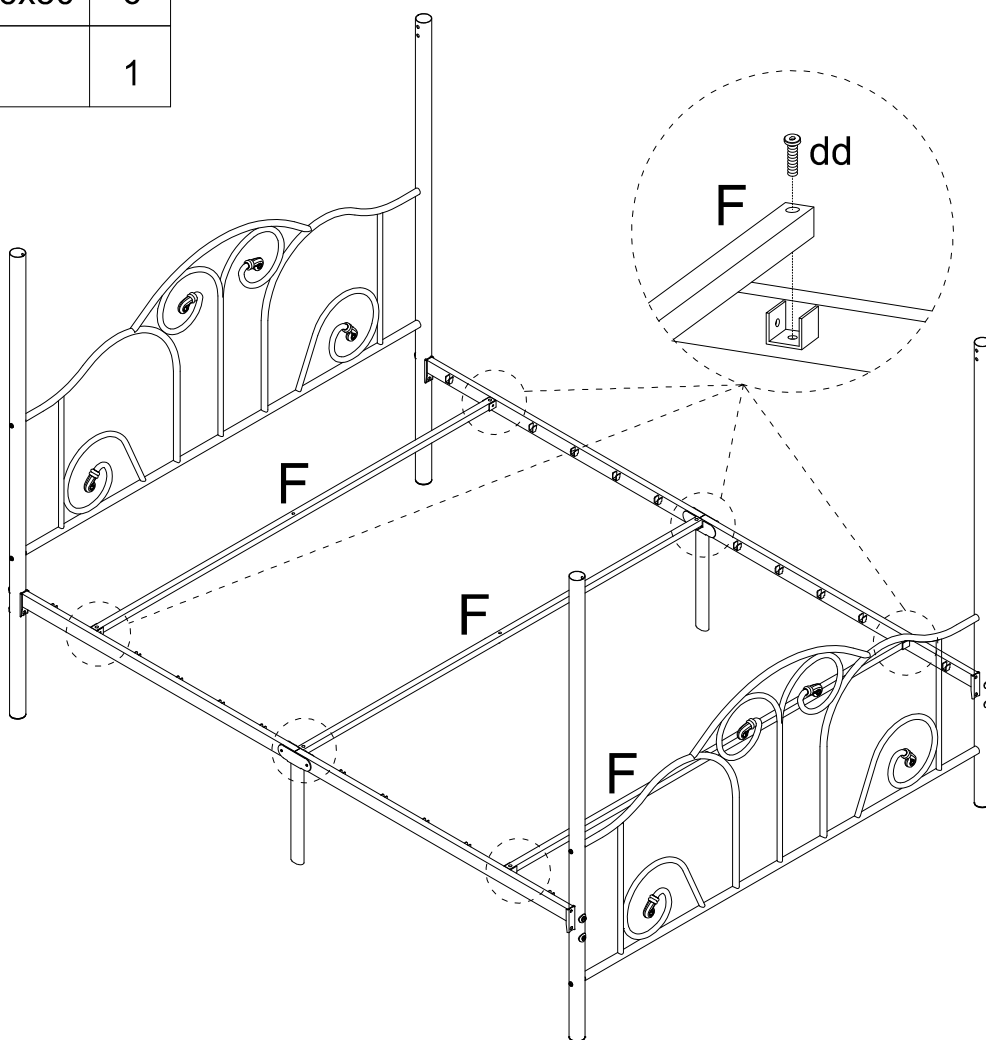
Step 3

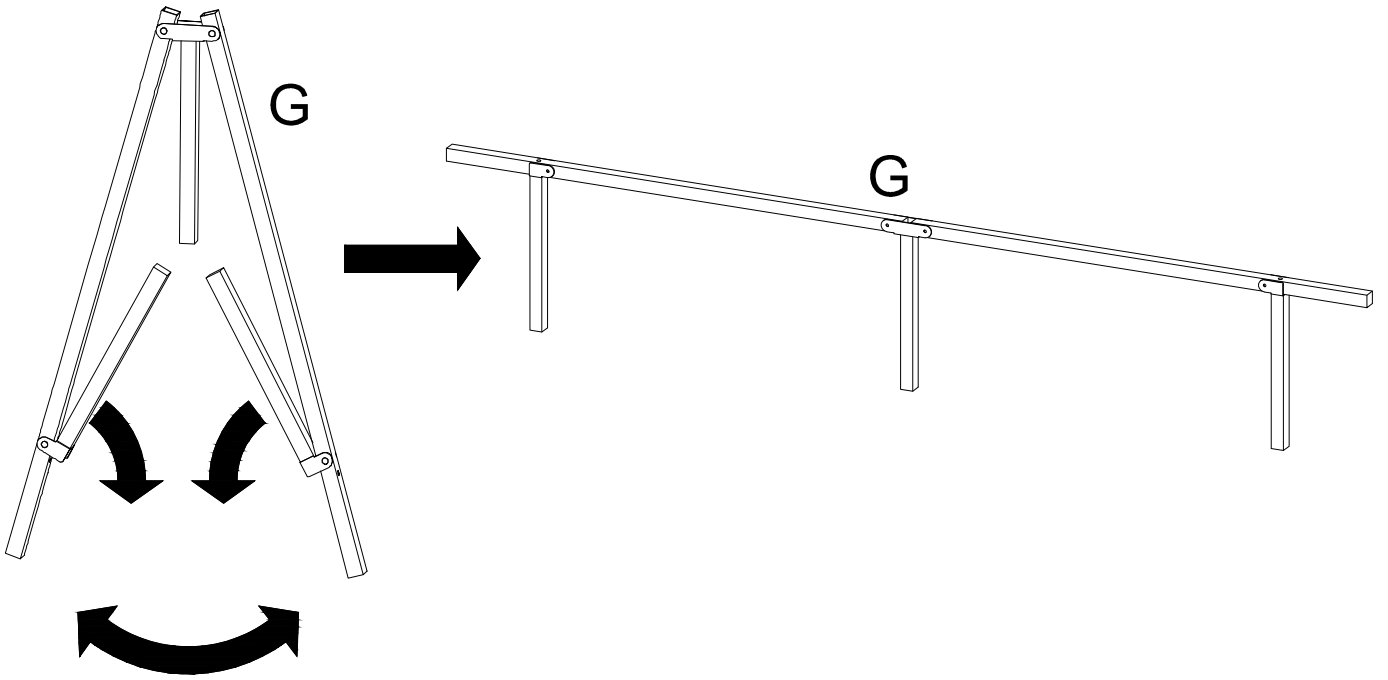
aa		M8x55	4
cc		M6x35	4
ff			8
gg			4

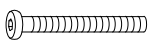

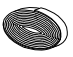


Step 4

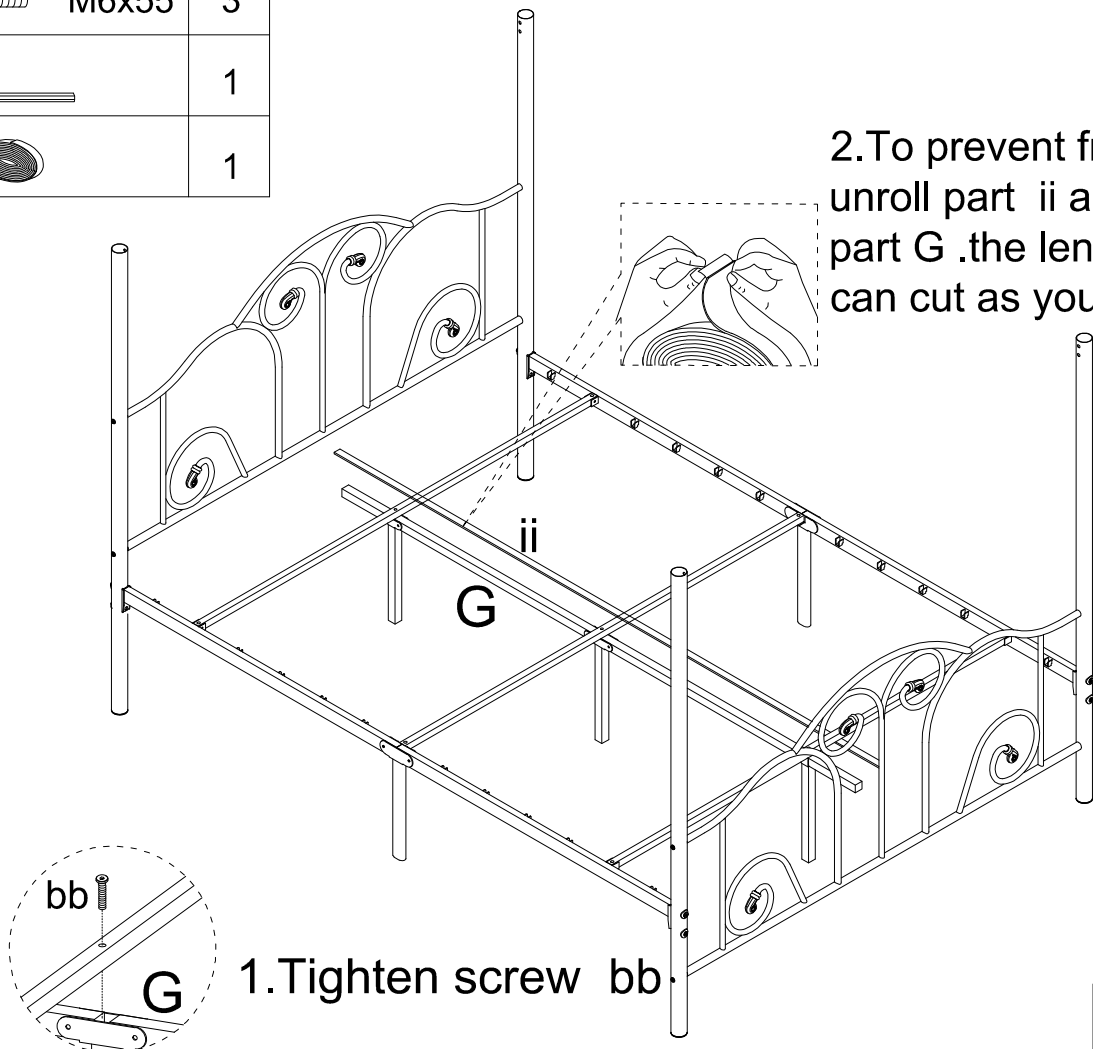
dd		M6x30	6
hh			1



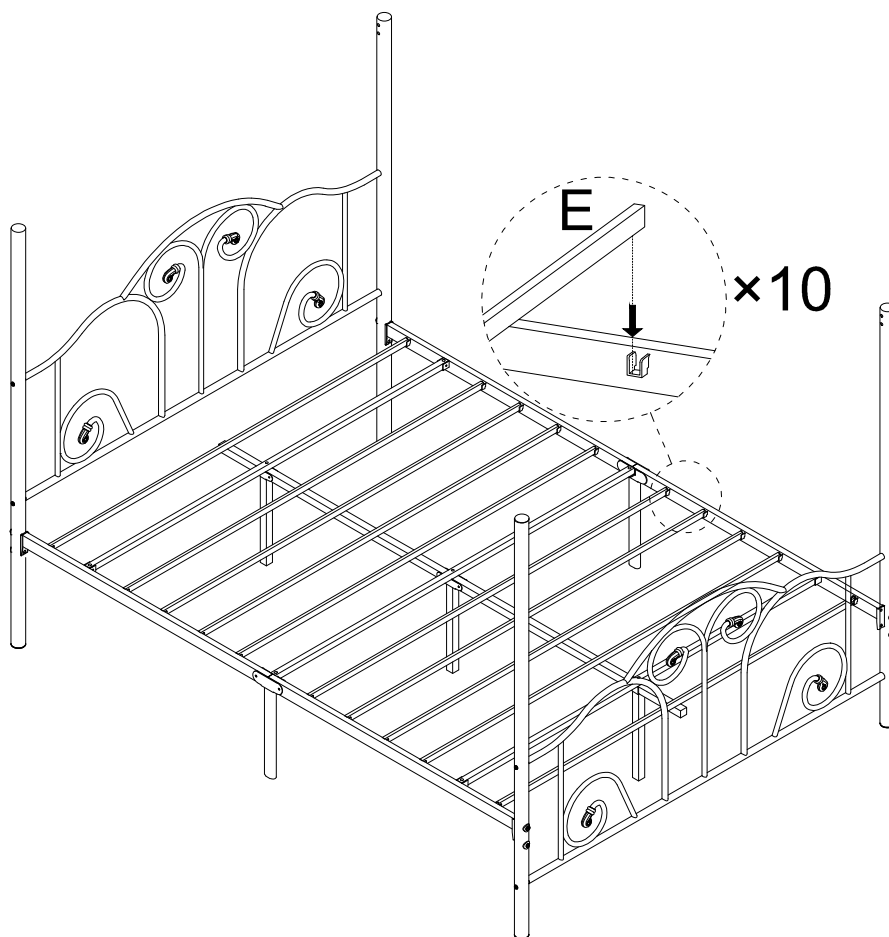


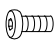

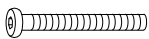

bb		M6x55	3
hh			1
ii			1

2.To prevent friction noise, unroll part ii and fit it on part G .the length of part ii can cut as you will.



1.Tighten screw bb.



ee		M6x12	12	ff		8
bb		M6x55	8			
hh			1			

