

# ASSEMBLY INSTRUCTIONS

## Bookshelf

ASSEMBLY

1.5 Hours

2 -Person Assembly

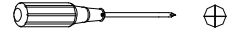
Tools Required (Not Provided):

REQUIREMENTS

Assembly Time



Phillips Screwdriver



(Approximate)

Flat Head Screwdriver



### Thank you for purchasing our product!

Please refer and use this assembly instruction to assemble the product.  
Contact our customer service department in case there are any missing or damage parts or hardware.  
Replacement parts are normally shipped within 2 or 3 days.

Within 30 days from delivery date

We appreciate your business!

**PRODUCTS PURCHASED THROUGH OUR AUTHORIZED VENDORS ONLY ARE ELIGIBLE FOR REPLACEMENT PARTS.**

**THIS PRODUCT IS FOR INDOOR AND HOUSEHOLD USE ONLY - NOT FOR COMMERCIAL USE.**

### ASSEMBLY PREPARATION

1. Remove all packaging materials, staples and packing straps from the carton.
2. Refer to Parts List and Hardware List and ensure they are correct before assembly.  
Contact customer service for missing parts.
3. Place all wooden parts on a clean, flat and soft surface (e.g. carpet or rug) to prevent parts from getting scratched.

### SAFETY PRECAUTION

1. KEEP ALL HARDWARE PARTS OUT OF REACH OF CHILDREN.
2. DISPOSE PLASTIC PACKAGING MATERIAL IMMEDIATELY TO AVOID ANY RISK OF SUFFOCATION TO CHILDREN AND ANIMALS.

### TIPS FOR ASSEMBLY

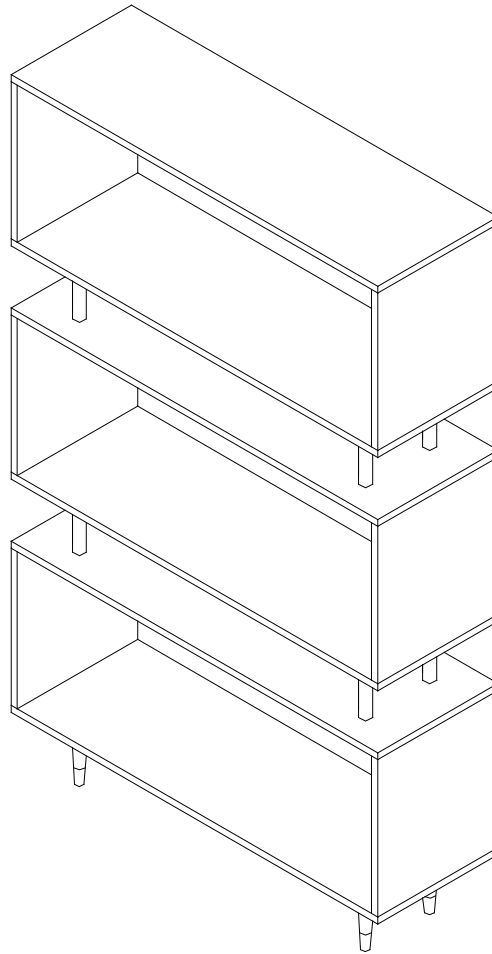
1. Allow ample room for assembly and in close proximity to where product will be placed.
2. Assemble the product on a surface that does not scratch or damage the exterior gloss and finish of the furniture.
3. Identify all of the parts, hardware and quantities required for each step.
4. During assembly, do not over-tighten any fittings as this may cause damage.
5. DO NOT USE POWER TOOLS TO ASSEMBLE THIS PRODUCT.
6. Always place the product on a flat, level surface.
7. Do not sit or stand on the partially assembled product; only use the product for which it is intended.

### CARE AND MAINTENANCE






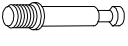
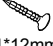



1. Wipe clean with a soft, dry cloth; avoid the use of harsh chemicals or household cleaners as they may damage the exterior finish of the furniture.
2. Hardware may loosen over time. Periodically, check that all connections are tight; re-tighten as necessary.
3. Solid wood is impacted by heat and humidity fluctuations which may cause small joint separations or hairline cracks; place the furniture away from direct sunlight and air conditioning vents, heating vents or units to protect the furniture.?

# ASSEMBLY INSTRUCTIONS

## Bookshelf



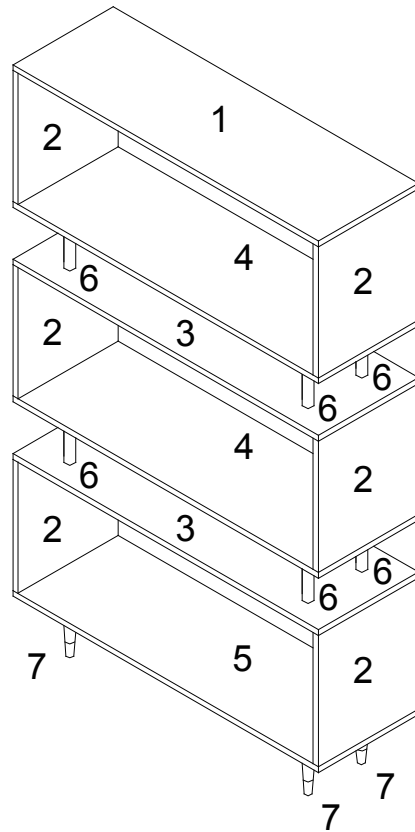
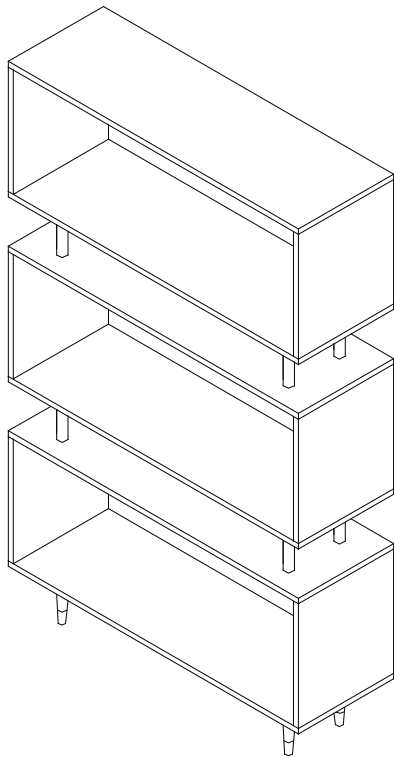
### Hardware List

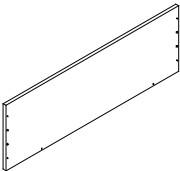
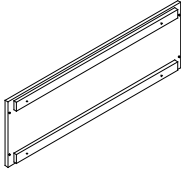
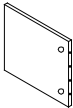

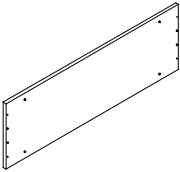

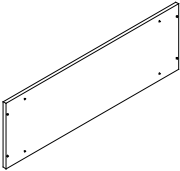
ITEM	DESCRIPTION	PART	QTY	ITEM	DESCRIPTION	PART	QTY
A	Allan Head Bolt	 7*40mm	20 pcs	F	Plasctic Anchor		2 pcs
B	Wooden Dowel	 8*30mm	24 pcs	G	Allen Wrench		1 pc
C	Bracket		10 pcs	H	Cam Bolt 6X35mm		12 pcs
D	Screw	 4*12mm	18 pcs	I	Cam Lock 15X12mm		12 pcs
E	Screw	 4*40mm	2 pcs	J	Glue		3 pcs

# ASSEMBLY INSTRUCTIONS

## Bookshelf

### ASSEMBLY OVERVIEW

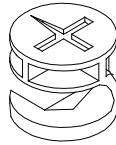


ITEM	DESCRIPTION	PART	QTY	ITEM	DESCRIPTION	PART	QTY
<b>1</b>	Top Panel		1 pc	<b>5</b>	Bottom Panel		1 pc
<b>2</b>	Side Panel		6 pcs	<b>6</b>	Leg		8 pcs
<b>3</b>	2nd and 4th shelf		2 pcs	<b>7</b>	Leg		4 pcs
<b>4</b>	1st and 3rd Shelf		2 pcs				

# INSTRUCTIONS FOR CAM-BOLT AND CAM-LOCK

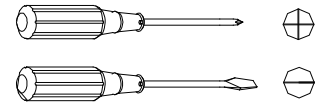


CAM-BOLT

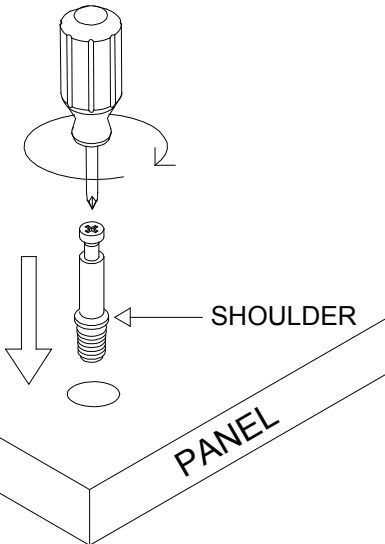


CAM-LOCK

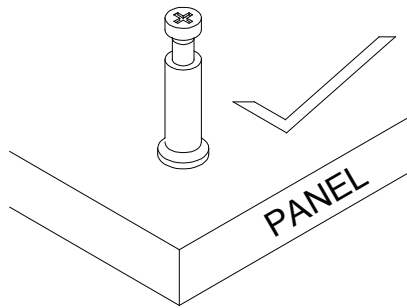
## Tools Required



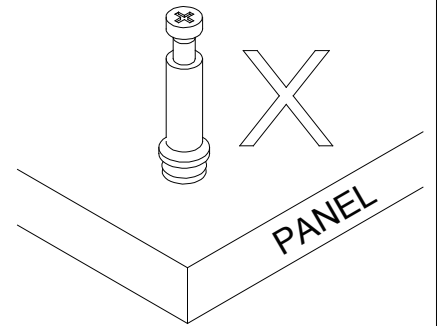
## INSERTING AND TIGHTENING CAM-BOLT



Place Cam-bolt on pre-drilled hole and screw in vertically.



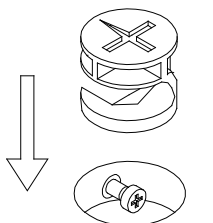
Shoulder is flushed (on the same level) with the panel.



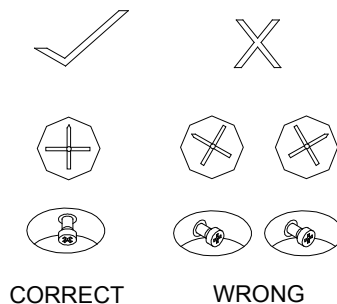
Shoulder is above the panel.

Place Cam-bolt to the designated pre-drilled holes on the panel. Use a Phillips Screwdriver to tighten Cam-bolt vertically until shoulder is flushed (on the same level) with panel. Do not over-tighten or under-tighten.

## INSERTING CAM-LOCK



Insert Cam-lock with arrow align to Cam-bolt head.

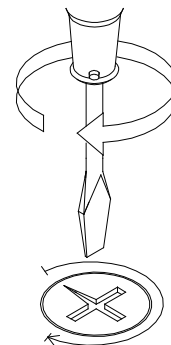


CORRECT

WRONG


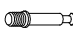

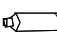

Align the arrow on the Cam-lock to the Cam-bolt head and insert the Cam-lock. Ensure Cam-lock is fully inserted.

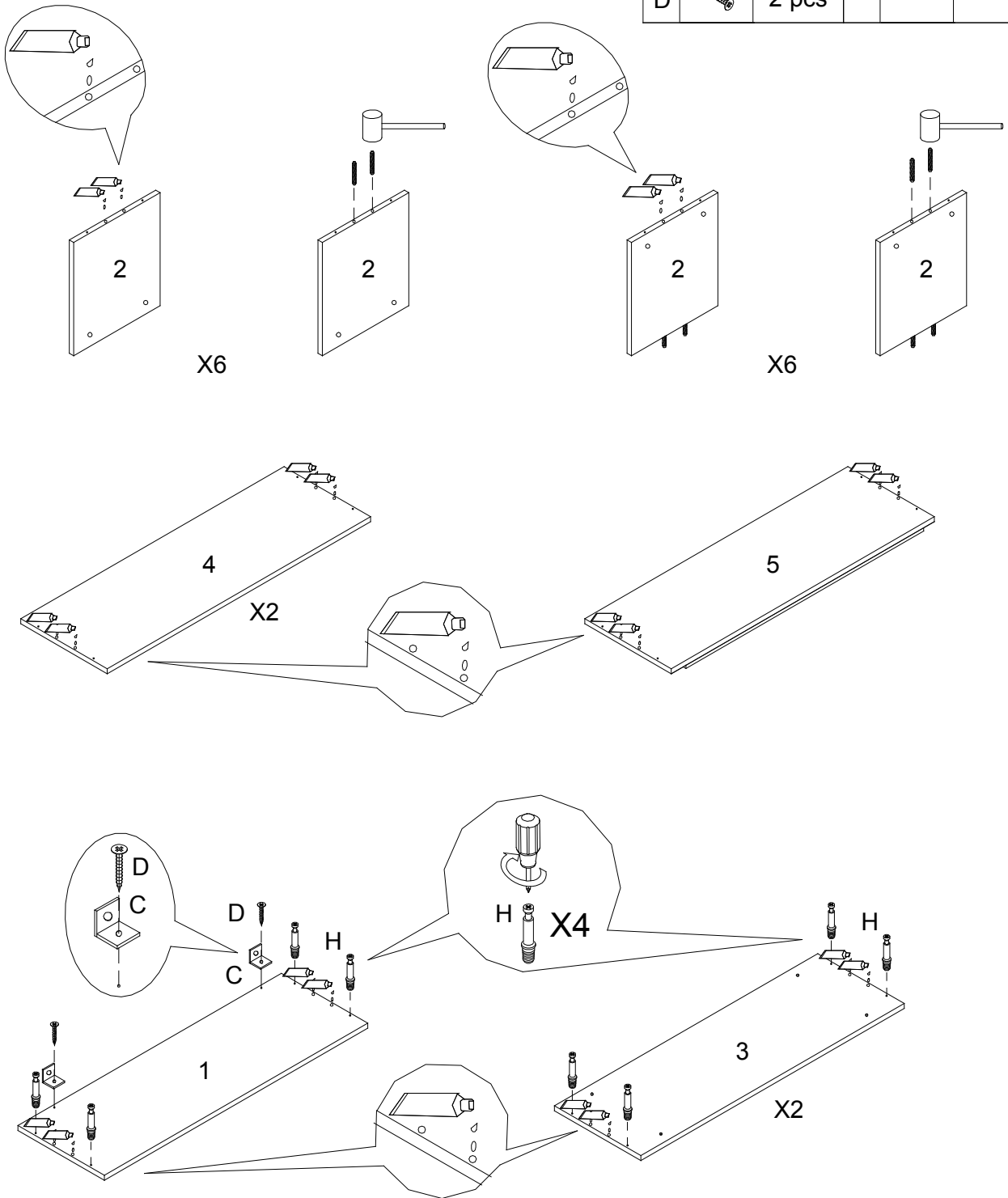
## TIGHTENING CAM-LOCK



Use a Flat-head Screwdriver to turn Cam-lock clockwise so it locks onto the head of the Cam-bolt. Turn until it is snug (about 3/4ths of a turn) -- over-tightening could damage Cam-lock or/and Cam-bolt.

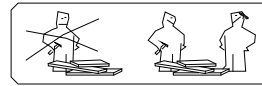
# STEP 1

B		24 pcs	H		12 pcs
C		2 pcs	J		3 pcs
D		2 pcs			

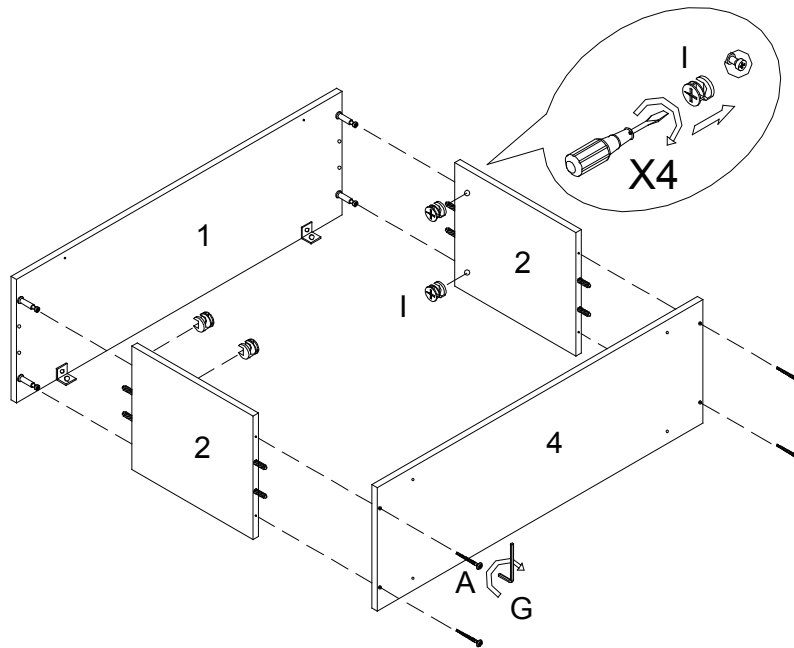


1. Add glue to the wooden dowel holes on side panel (2), then insert wooden dowel (B) by using hammer as shown.
2. Add glue to the wooden dowel holes on 1st & 3rd shelf (4) and bottom panel (5).
3. Tighten cam bolt (H) to top panel (1) and 2nd & 4th shelf (3).
4. Attach bracket (C) to top panel (1) by using screw (D).
5. Add glue to the wooden dowel holes on top panel (1) and 2nd & 4th shelf (3).

## STEP 2

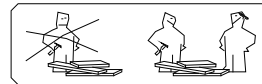


A		4 pcs
G		1 pc
I		4 pcs

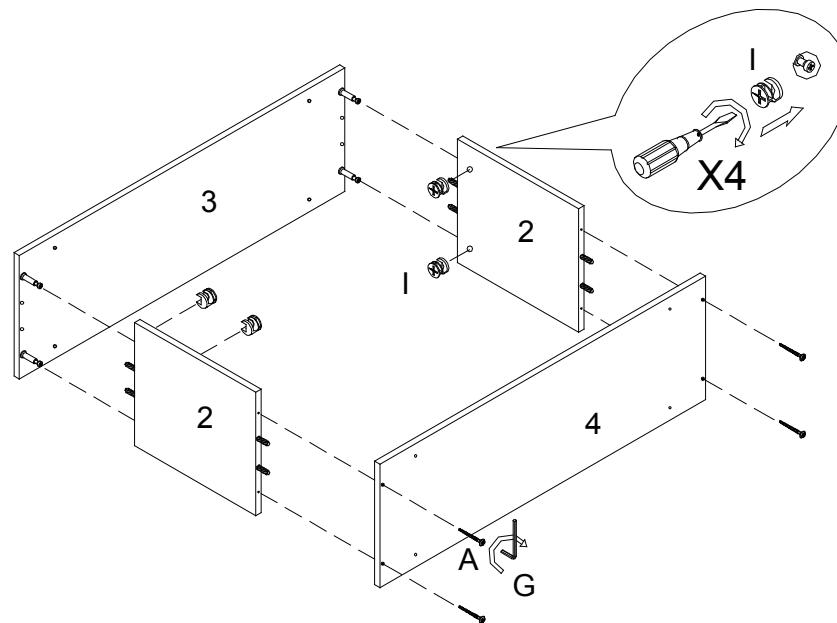


1. Assemble top panel (1), side panel (2) and 1st shelf (4) together by using screw (A).
2. Insert cam lock (I) then rotate clockwise to secure cam bolt in place.

## STEP 3



A		4 pcs
G		1 pc
I		4 pcs

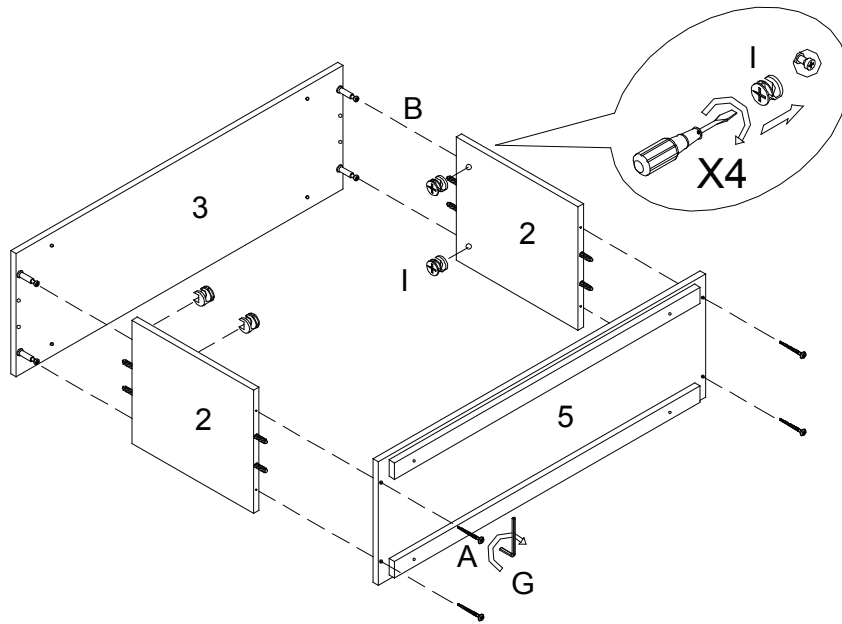


1. Assemble 2nd shelf (3), side panel (2) and 3rd shelf (4) together by using screw (A).
2. Insert cam lock (I) then rotate clockwise to secure cam bolt in place.

## STEP 4



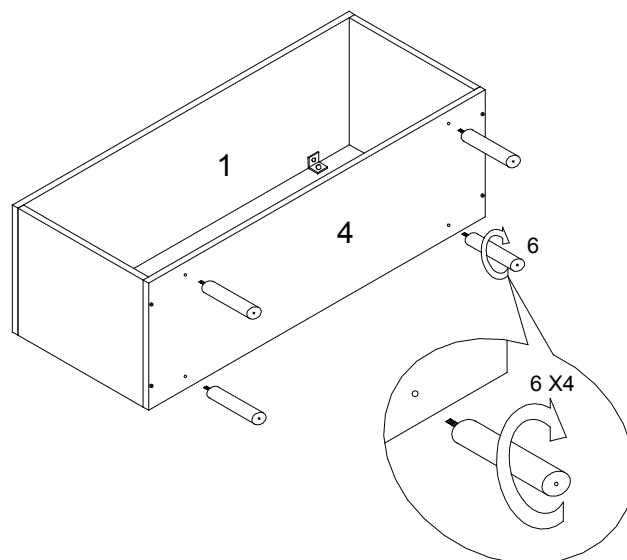
A		4 pcs
G		1 pc
I		4 pcs



1. Assemble 4th shelf (3), side panel (2) and bottom panel (5) together by using screw (A).
2. Insert cam lock (I) then rotate clockwise to secure cam bolt in place.

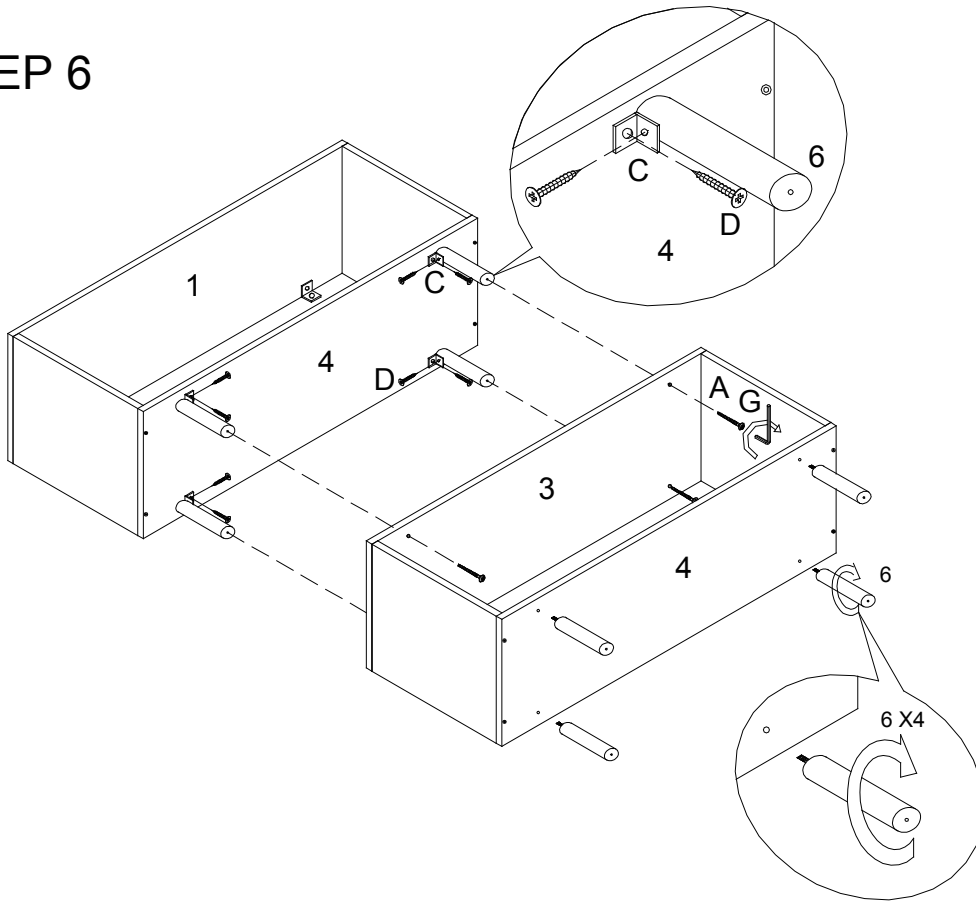
## STEP 5





C		4 pcs
D		4 pcs



1. Attach legs (6) to 1st shelf (4).

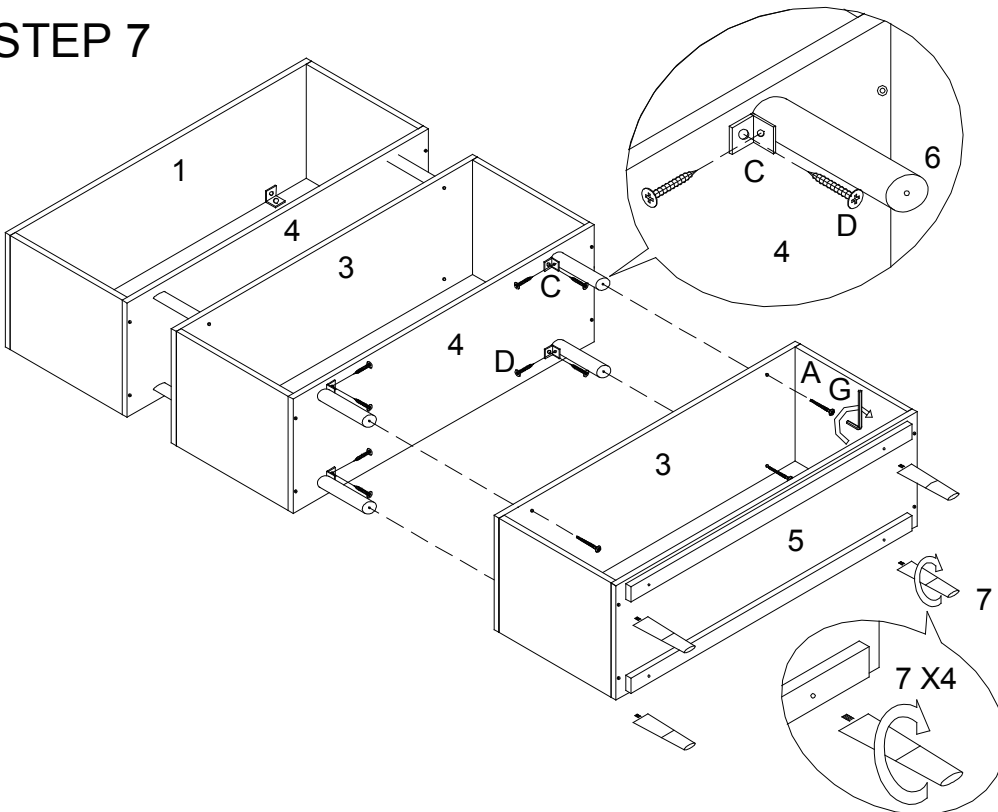
## STEP 6

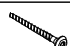
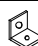




A		4 pcs
C		4 pcs
D		4 pcs
G		1 pc

1. Attach Bracket (C) to 1st Shelf (4) and Leg (6) with scrw (D) as shown.
2. Attach the unit from step 3 to the unit from step 5 by using screw (A) as shown.
3. Attach legs (6) to 3rd shelf (4).

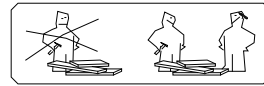
## STEP 7





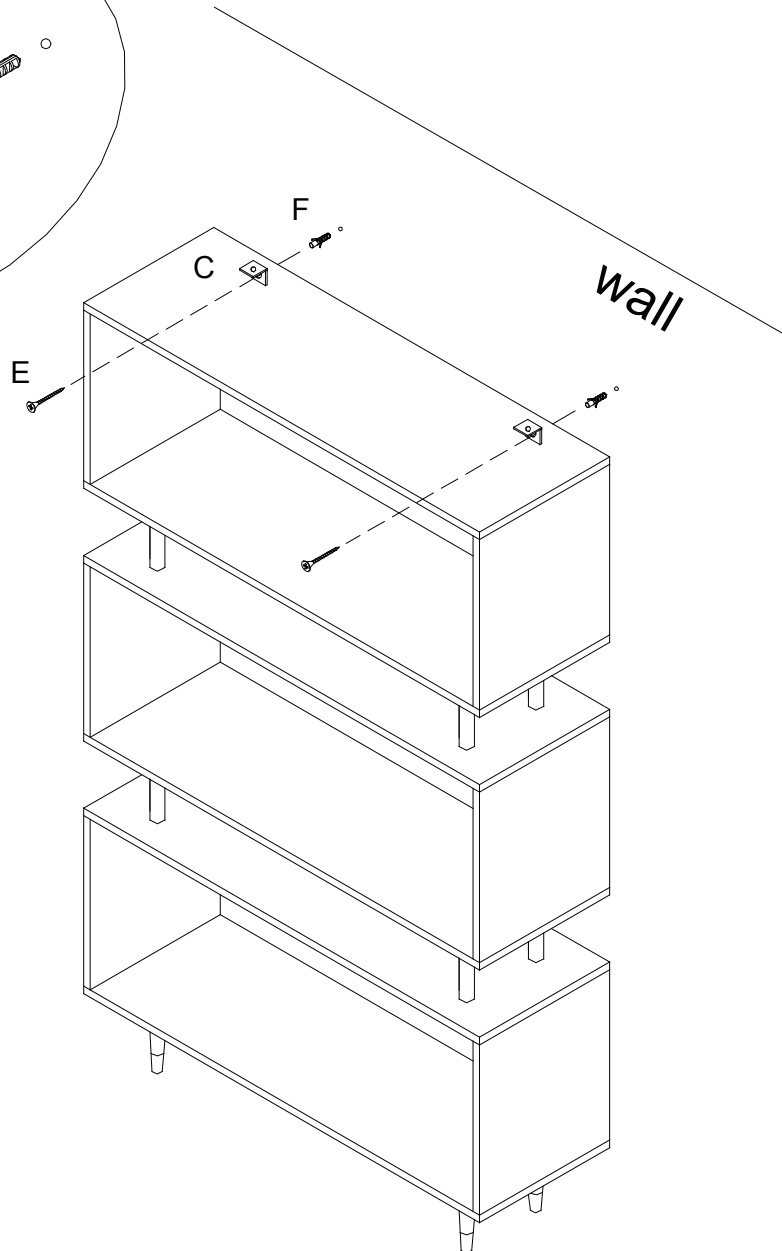
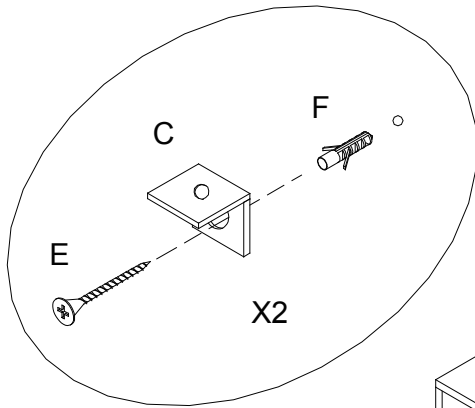
A		4 pcs
C		4 pcs
D		4 pcs
G		1 pc

1. Attach Bracket (C) to 3rd Shelf (4) and Leg (6) with scrw (D) as shown.
2. Attach the unit from step 4 to the unit from step 6 by using screw (A) as shown.
3. Attach legs (7) to bottom panel (5).

# STEP 8



E		2 pcs
F		2 pcs



1. Drill a 7/32" hole in the dry wall. Press the plastic wall anchor (F) to the drywall. Ensure that the anchor fits securely in the wall.
2. Rotate the product and fix it on the wall by using screw (E).