



Parts and Damage Replacement Procedure

1. Please inspect your purchase immediately.
2. This procedure covers product purchased from an authorized Roundhill Reseller and was received in its originally sealed carton.
3. If you find a part missing or damaged, you have a 30-day window in which to order a replacement part from the date on your purchase receipt.
4. You have 3 ways to do this. You will need a copy of your purchase receipt.
 - a. By Fax: Fax the parts order form below and along with your receipt to 614-878-7918
 - b. By Email: Email the order form and along with your receipt to: parts@roundhillfurniture.com
 - c. By Mail: Fill out the parts order form below and along with a copy of your receipt send it to Roundhill furniture parts department 3640 Zane Trace Drive, Columbus OH 43228
5. Once this order is sent in, you will be notified if the part(s) you are requesting can or cannot be shipped within 7-10 business days.

**A COPY OF YOUR PURCHASE RECEIPT OR INVOICE MUST BE ATTACHED TO THIS ORDER FORM.
NO ORDERS WILL BE PROCESSED WITHOUT PROOF OF PURCHASE.**

NAME: _____

ADDRESS: _____ (No Post Office Boxes)

CITY: _____ STATE: _____ ZIP: _____

PHONE: _____ FAX: _____

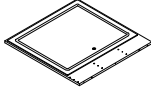
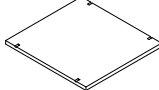
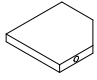
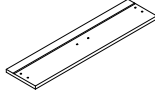
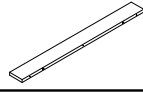
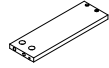
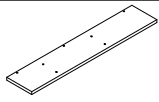
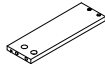
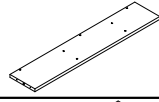

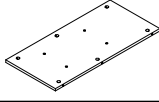
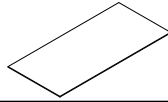
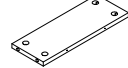
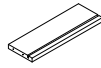
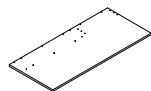
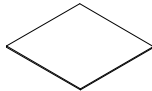
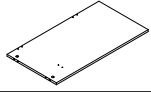
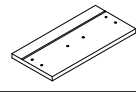
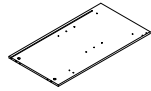
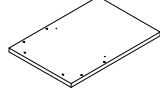
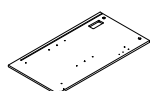
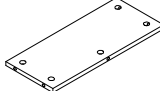
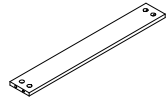
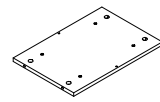
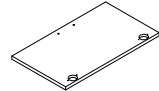
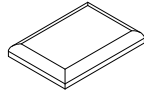
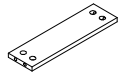

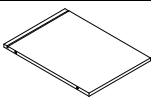
EMAIL: _____


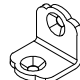
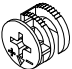

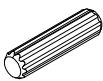







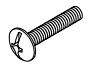
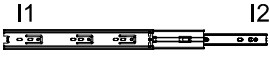
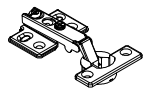
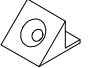

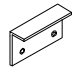

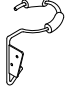
REASON FOR REPLACEMENT/PLEASE CHECK APPROPRIATE BOX.

- Damaged /scratched, cracked, broken, crushed, etc.
- Mechanical malfunction/ drawer glides, swivel mechanisms, lid stays, etc.
- Missing pieces
- Unfinished surface
- Wrong color
- Other

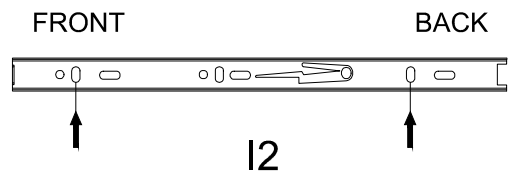
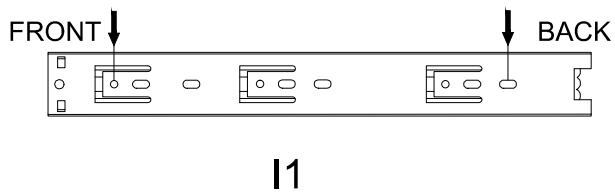
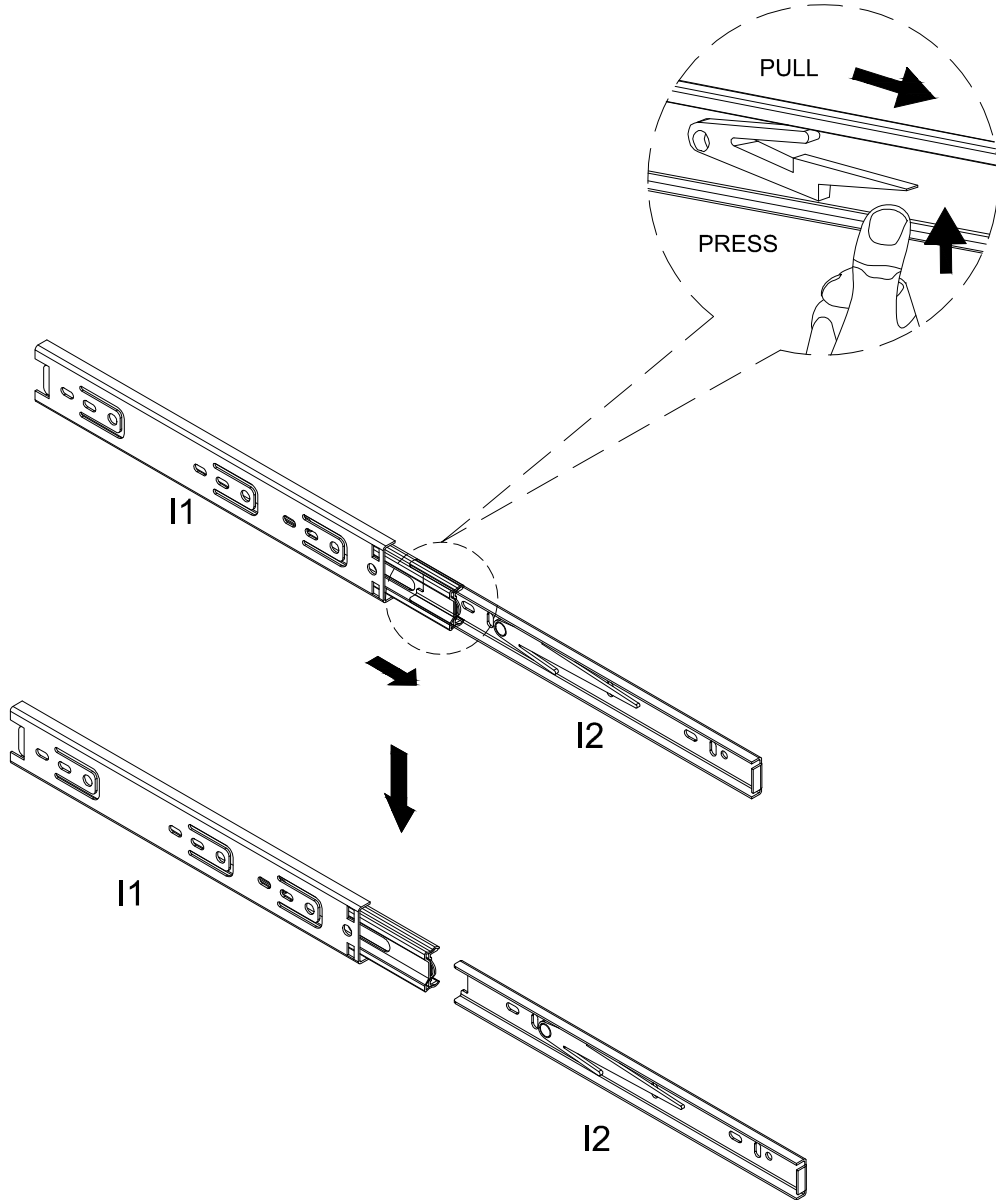
IF MORE THAN ONE MODEL NUMBER IS LISTED ABOVE, PLEASE SPECIFY THE EXACT MODEL NUMBER OF YOUR ITEM IN THE SPACE PROVIDED BELOW.

Model Number	Part Letter Code	Quantity

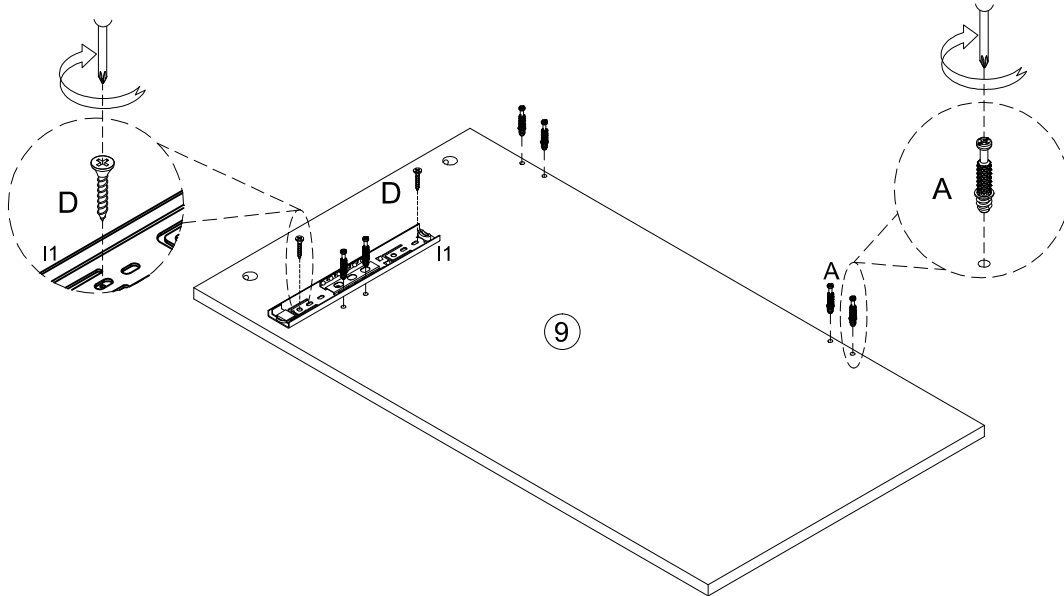
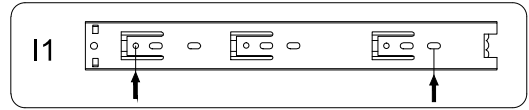
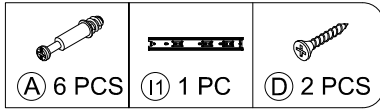
PRODUCTSLIST			PRODUCTSLIST		
NO.	PART	Q'TY	NO.	PART	Q'TY
1		1PC	16		1PC
2		3PCS	17		1PC
3		1PC	18		2PCS
4		1PC	19		2PCS
5		1PC	20		1PC
6		1PC	21		1PC
7		2PCS	22		1PC
8		1PC	23		1PC
9		1PC	24		1PC
10		1PC	25		2PCS
11		1PC	26		2PCS
12		3PCS	27		1PC
13		1PC	28		1PC
14		2PCS	29		1PC
15		1PC			

PRODUCTSLIST			PRODUCTSLIST		
NO.	PART	Q'TY	NO.	PART	Q'TY
A	 Ø6x33mm	73+2 PCS	P	 19x19x18x2mm	4PCS
B	 Ø15x9.5mm	73+2 PCS	Q	 Ø5*15mm	4PCS
C	 Ø6x30mm	21+1 PCS	R		1PC
D	 Ø3.5x12mm	48+2 PCS	S	 5/32x18mm	2PCS
E	 Ø4x30mm	27+1 PCS	T	 75*30*5mm	1PC
F	 Ø4x22mm	4PCS			
G	 110*19*8mm	3PCS			
H	 5/32x16mm	4PCS			
I	 250mm	2SET			
J	 Ø35mm	2PCS			
K	 15*14*10mm	6PCS			
L		1PC			
M	 42*20*1mm	1PC			
N		1PC			
O		1PC			

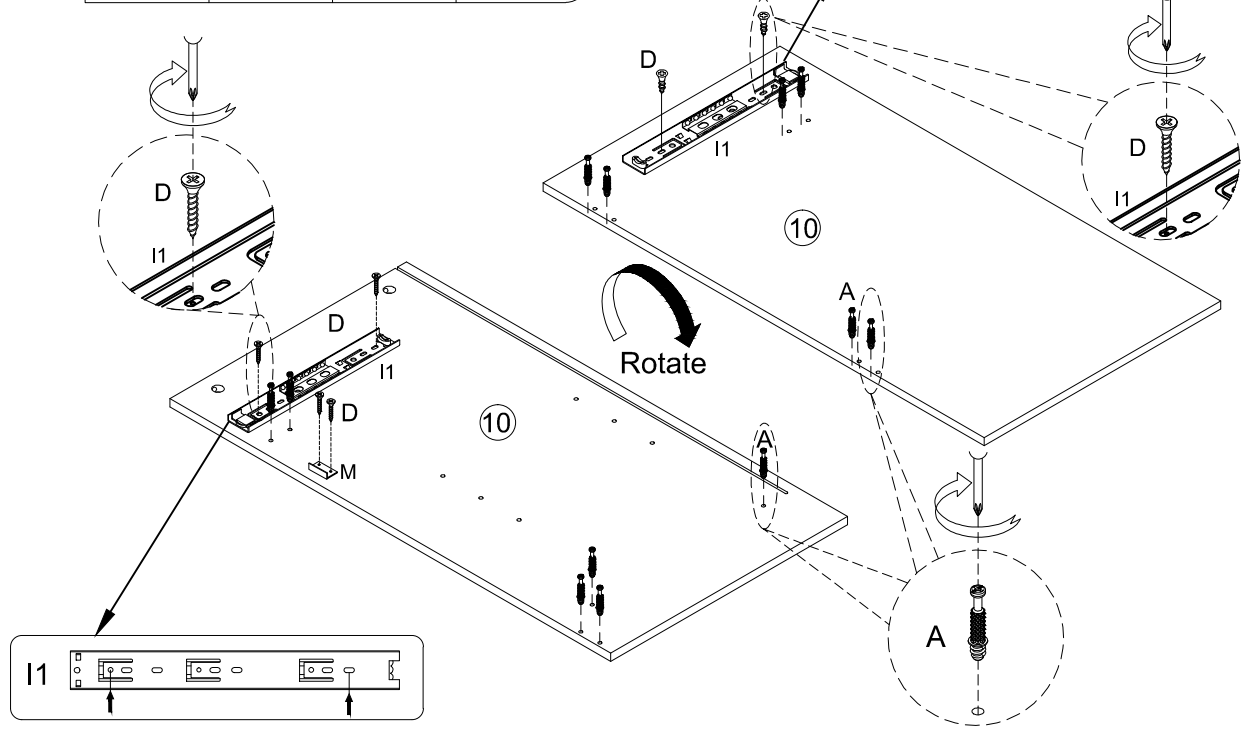
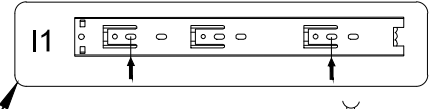
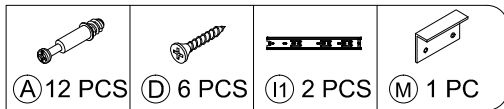
1



2

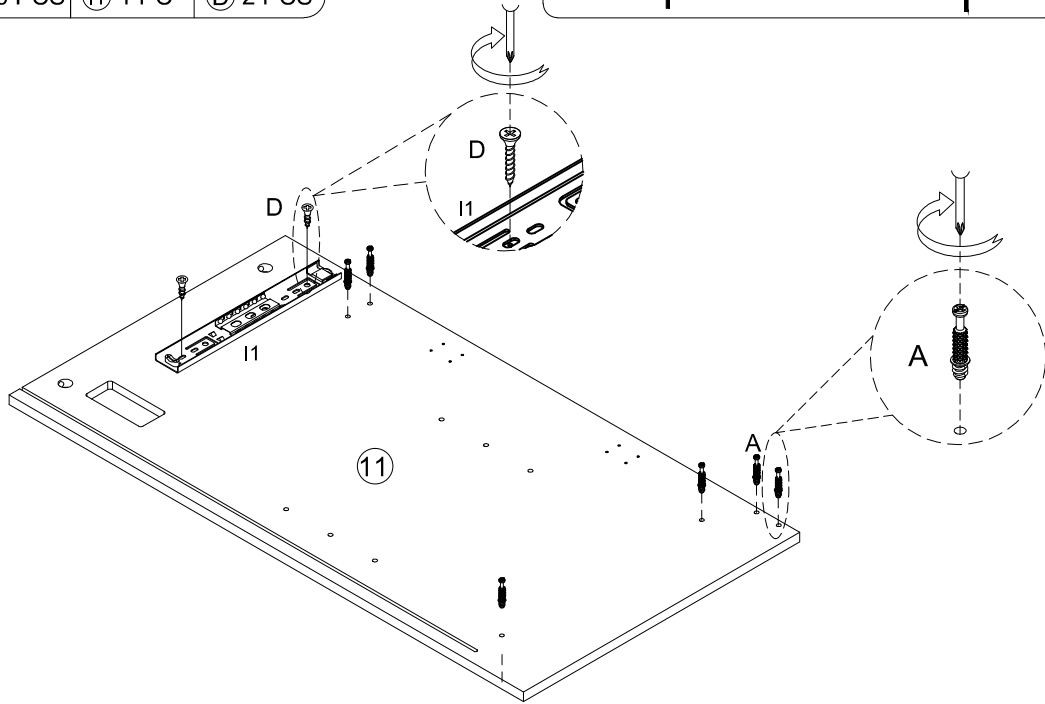
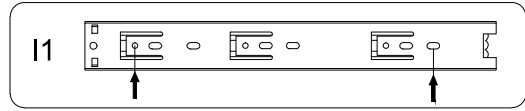


3



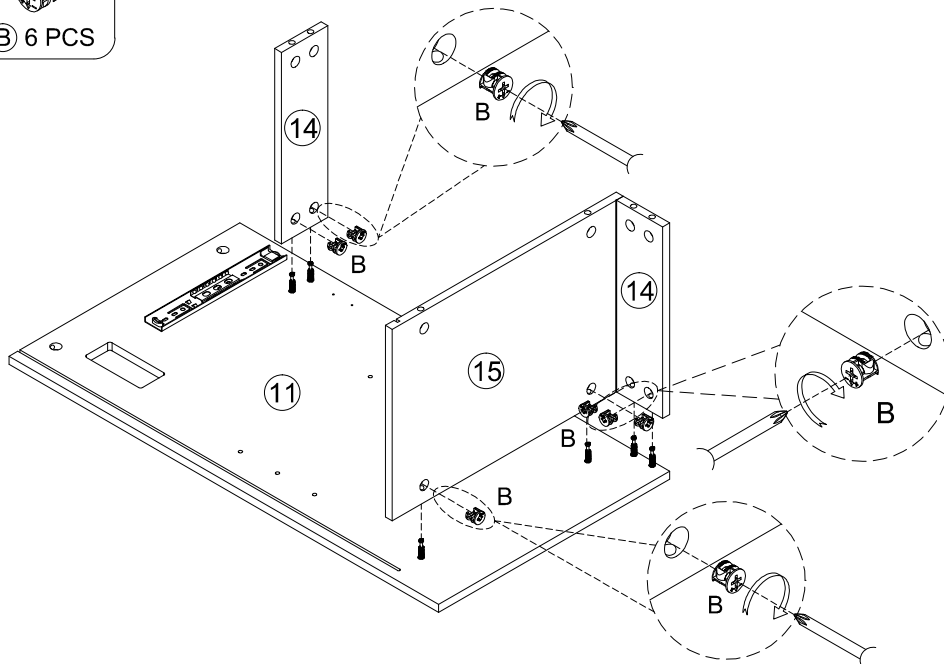
4

- (A) 6 PCS
- (11) 1 PC
- (D) 2 PCS

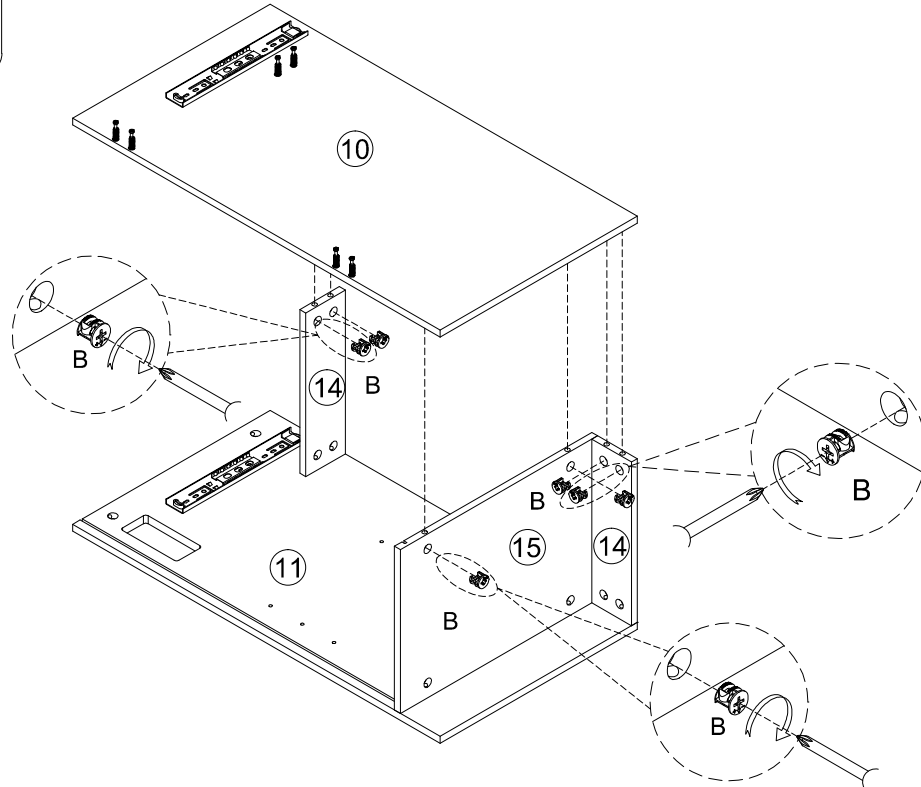
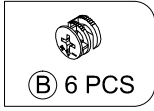


5

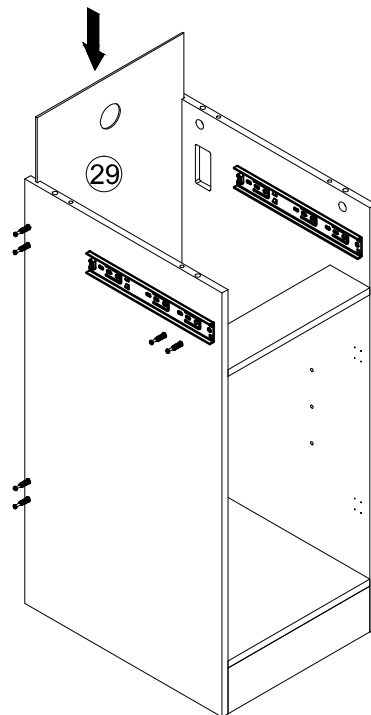
- (B) 6 PCS



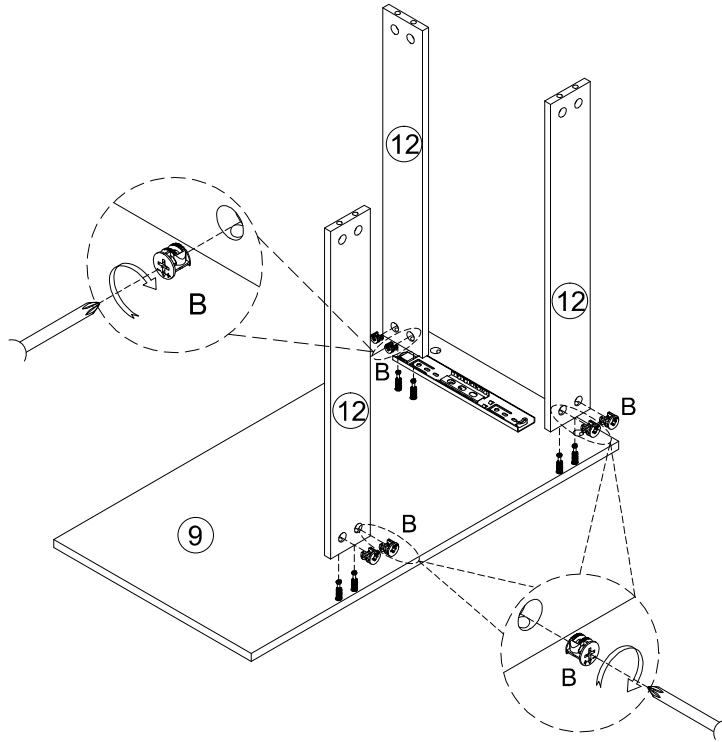
6



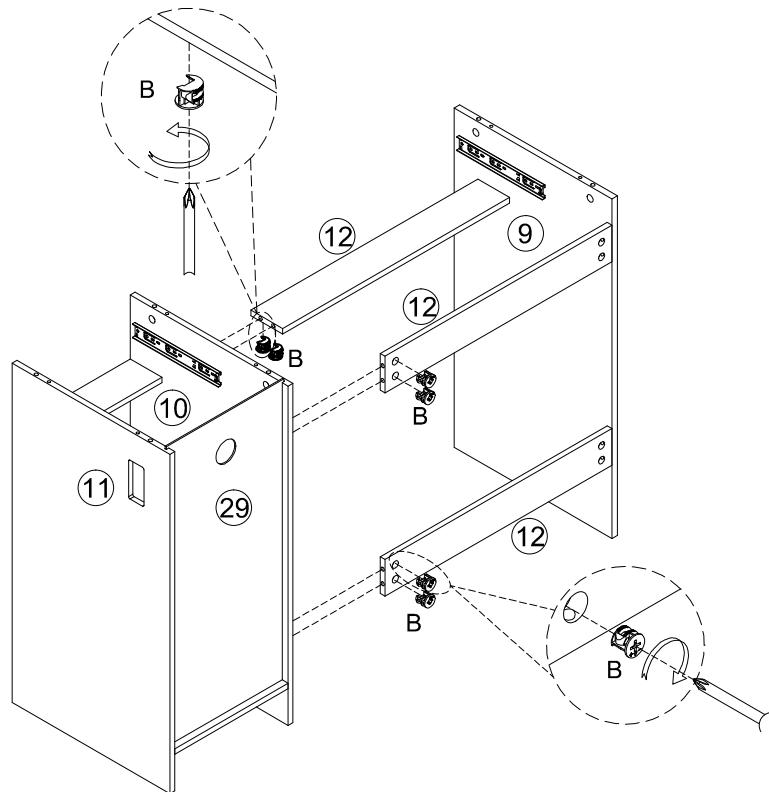
7



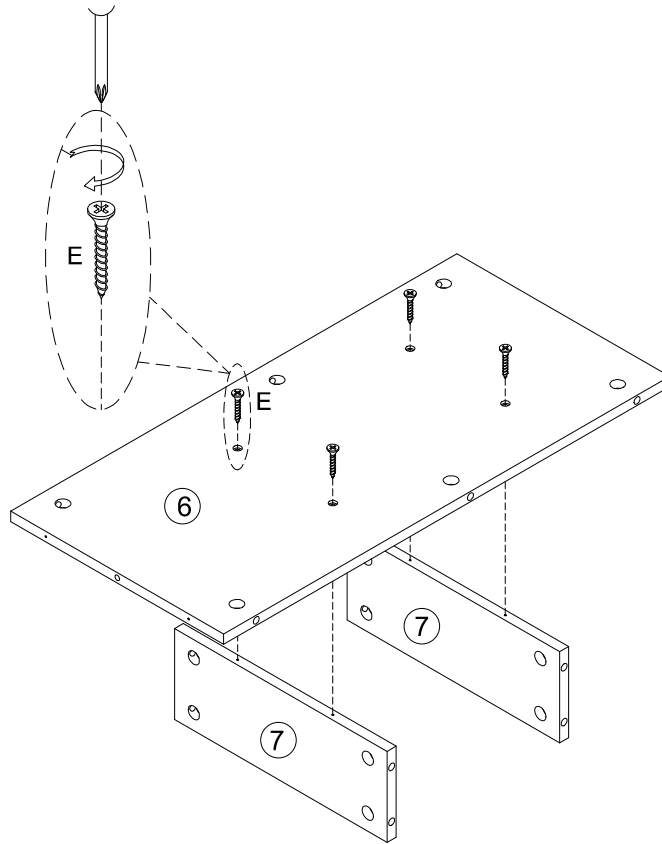
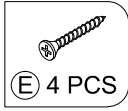
8



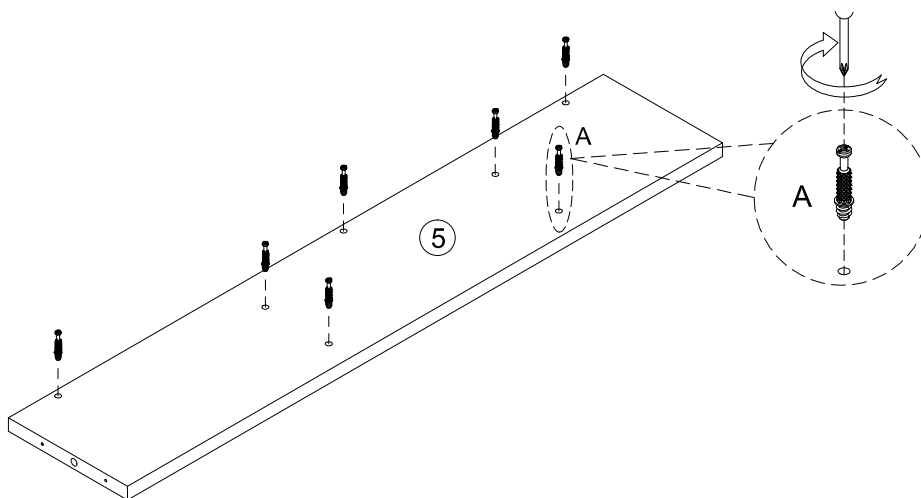
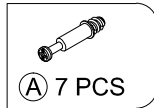
9



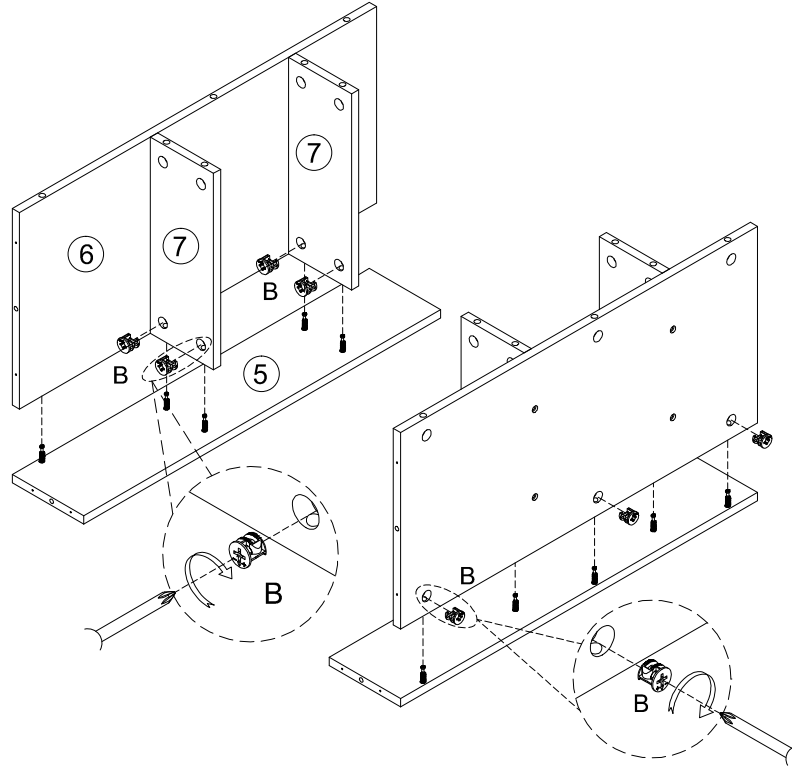
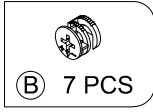
10



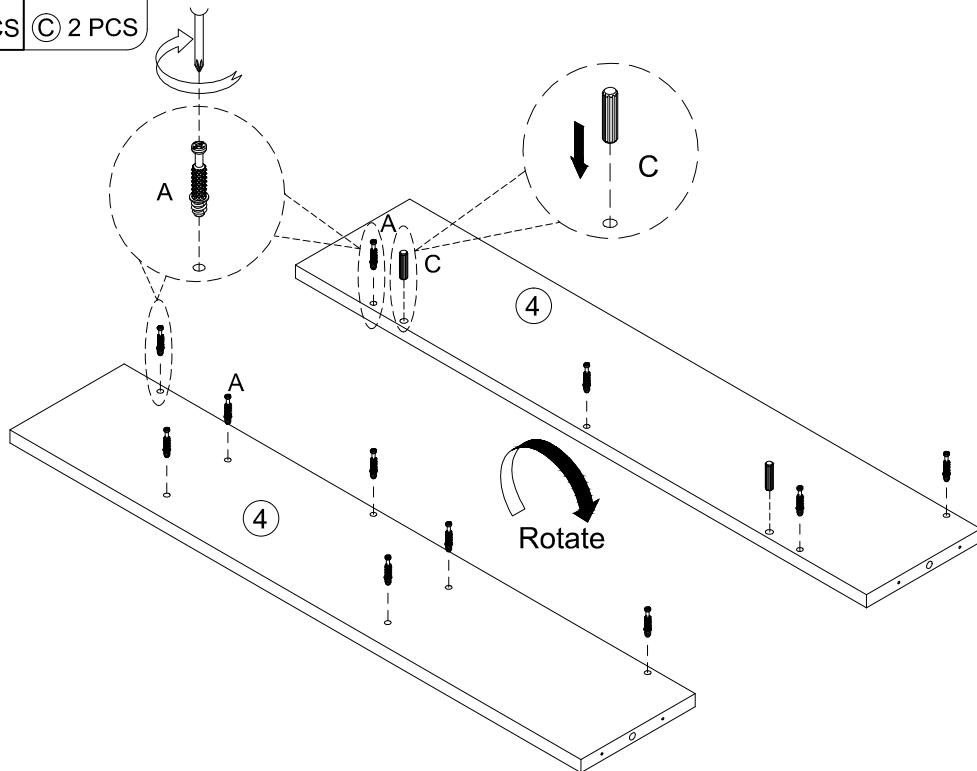
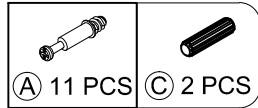
11



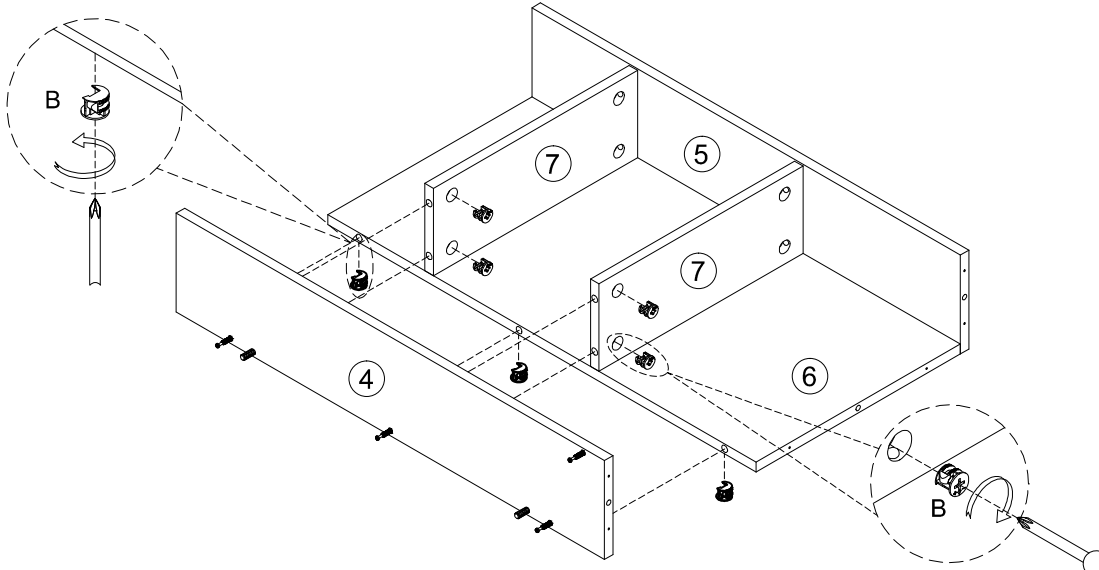
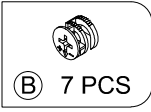
12



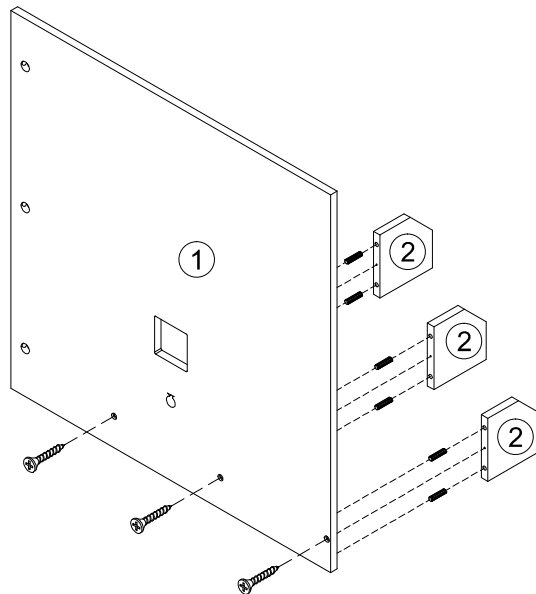
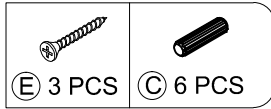
13



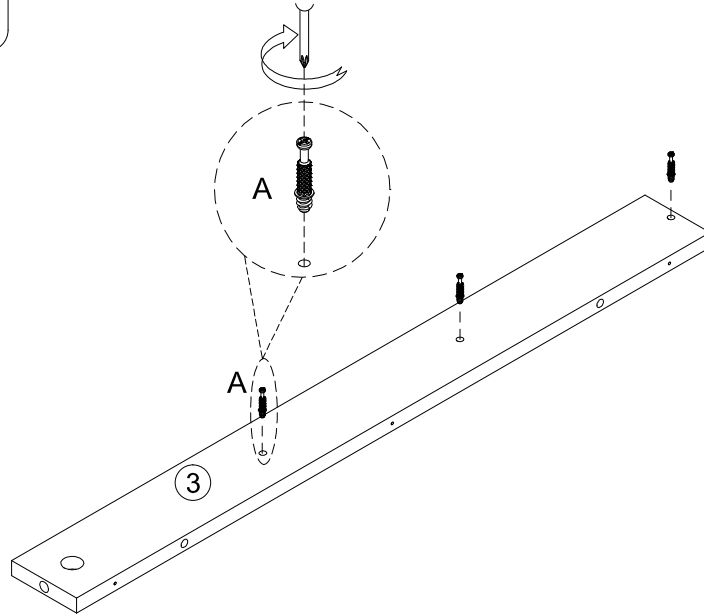
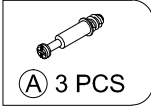
14



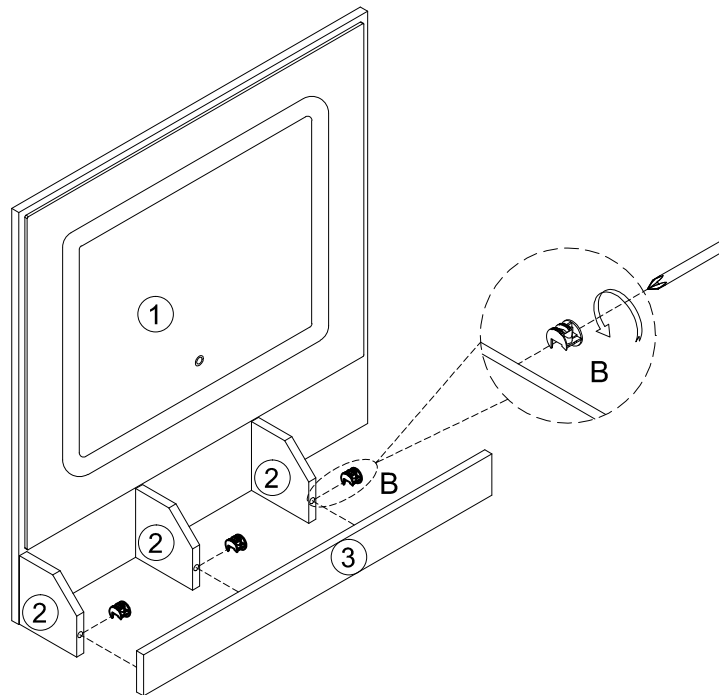
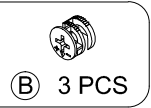
15



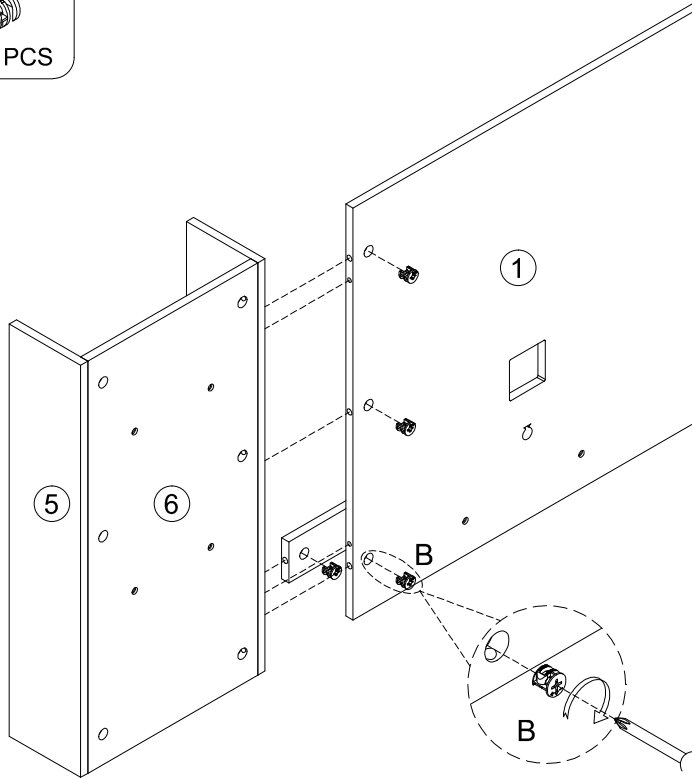
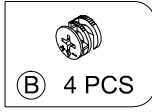
16



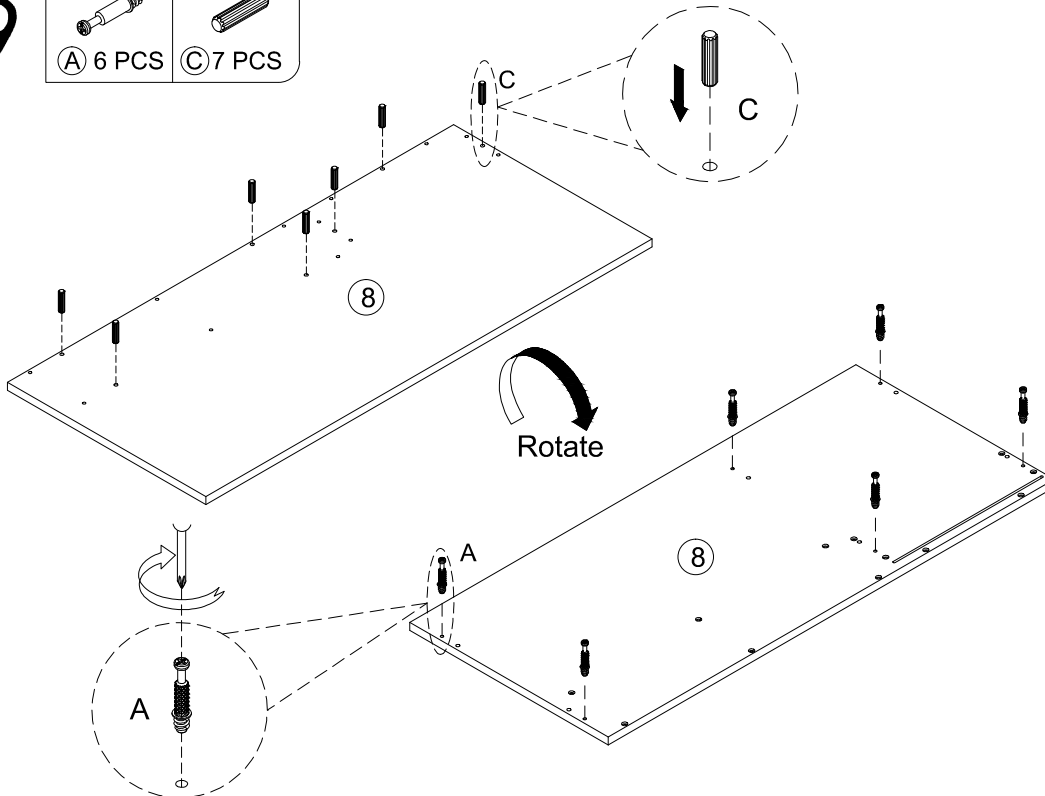
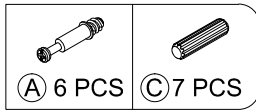
17



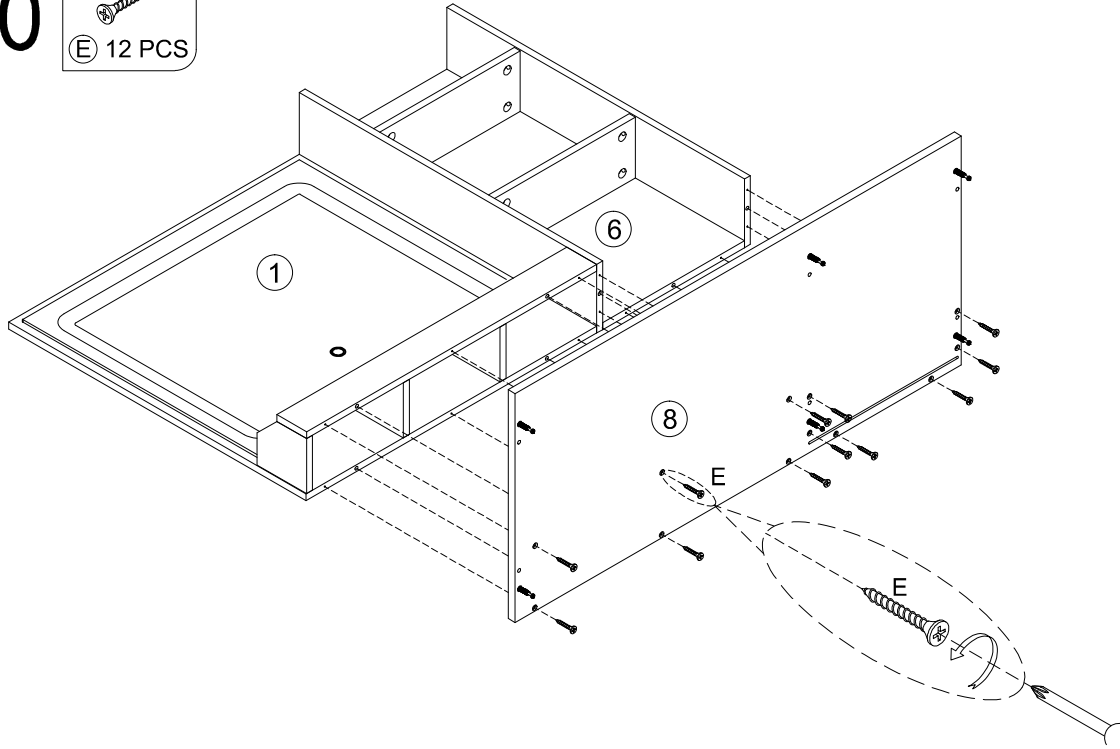
18



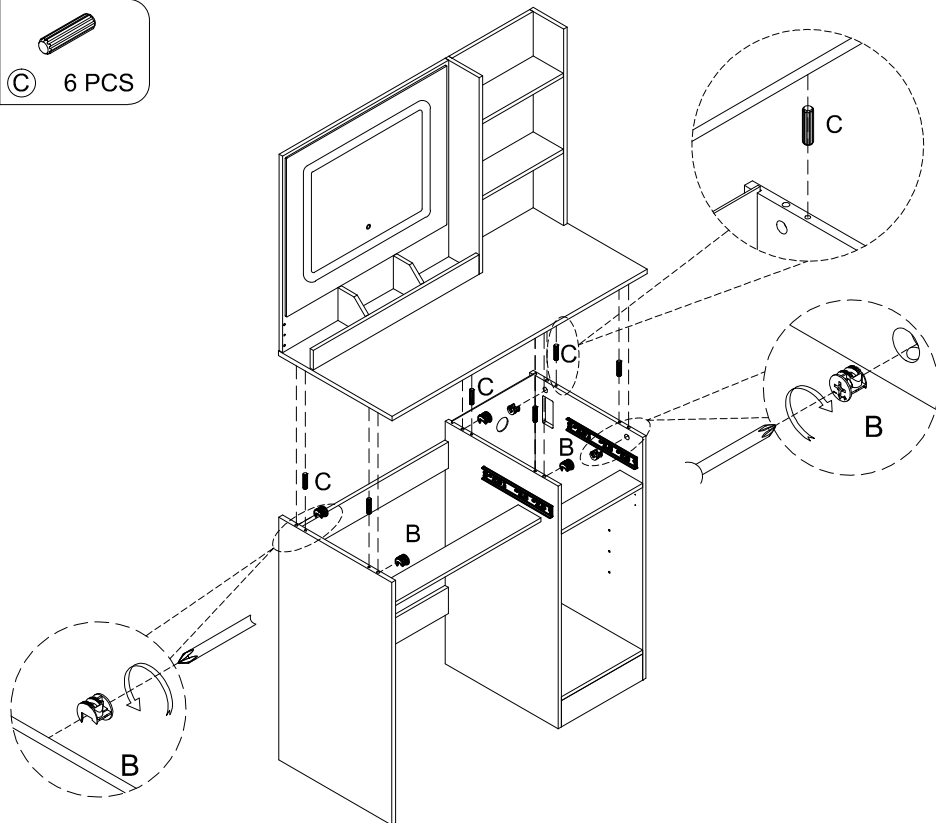
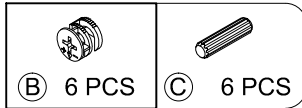
19



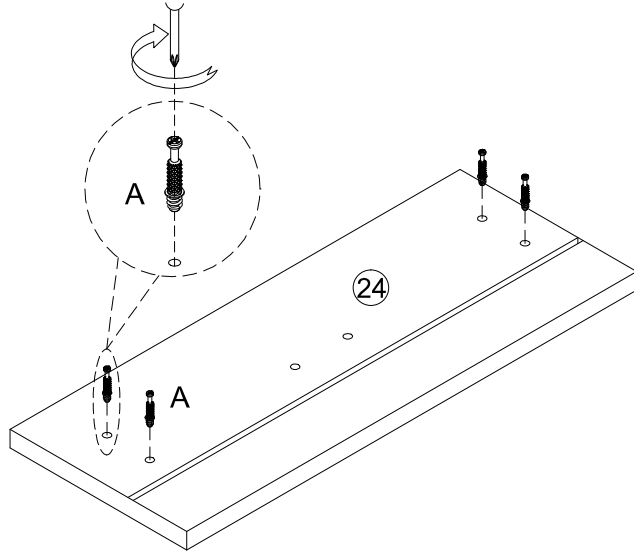
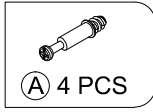
20



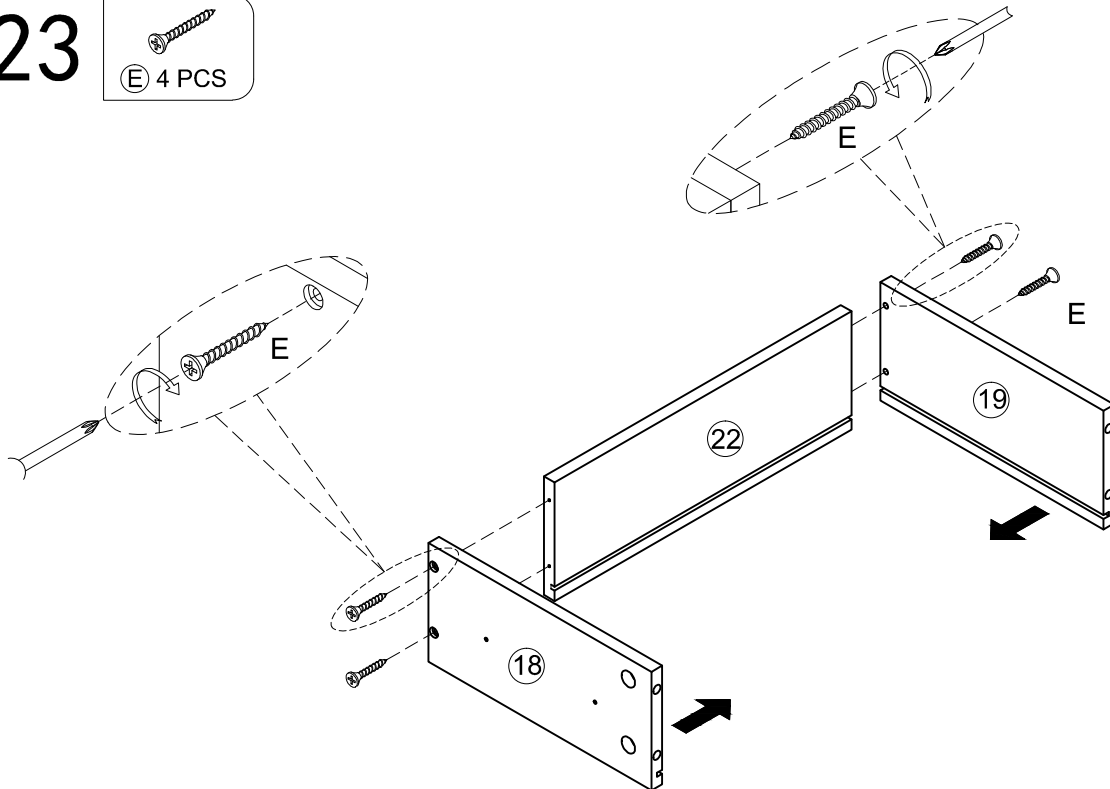
21



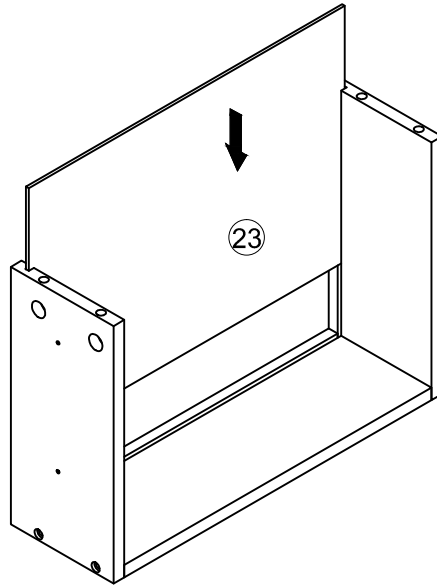
22



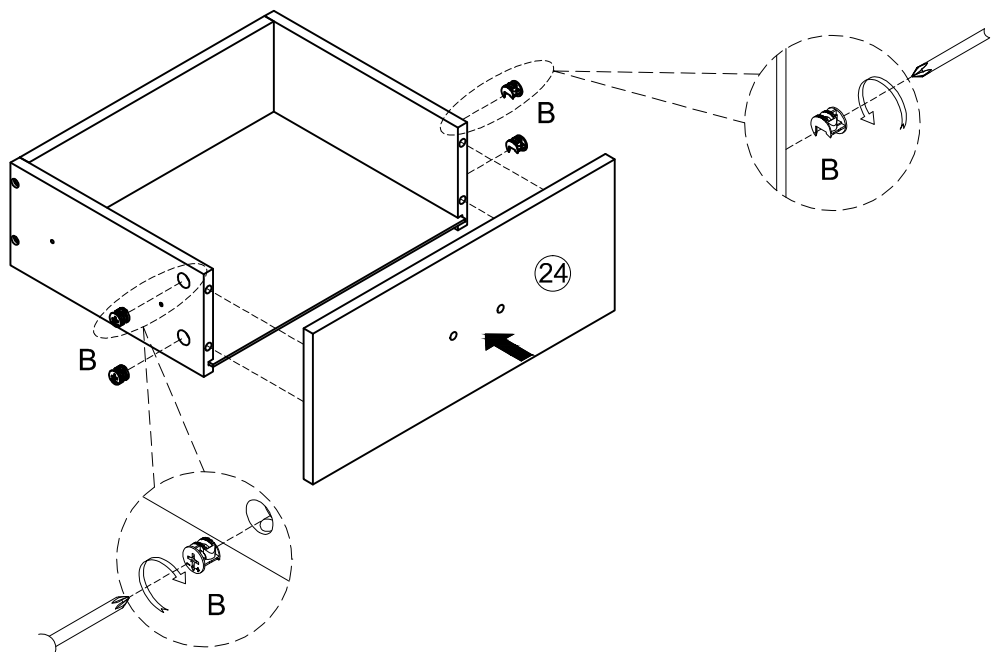
23



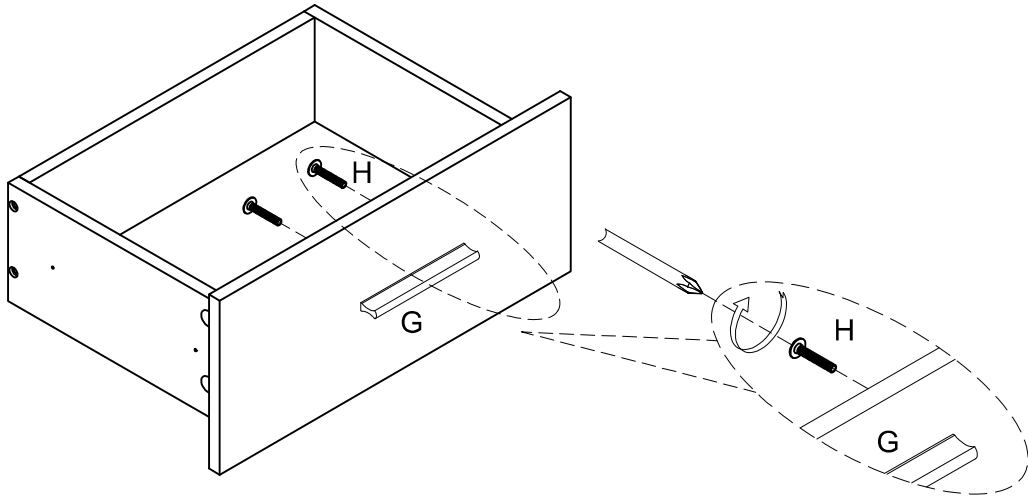
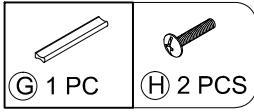
24



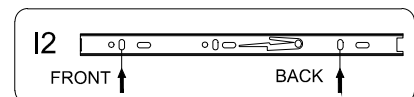
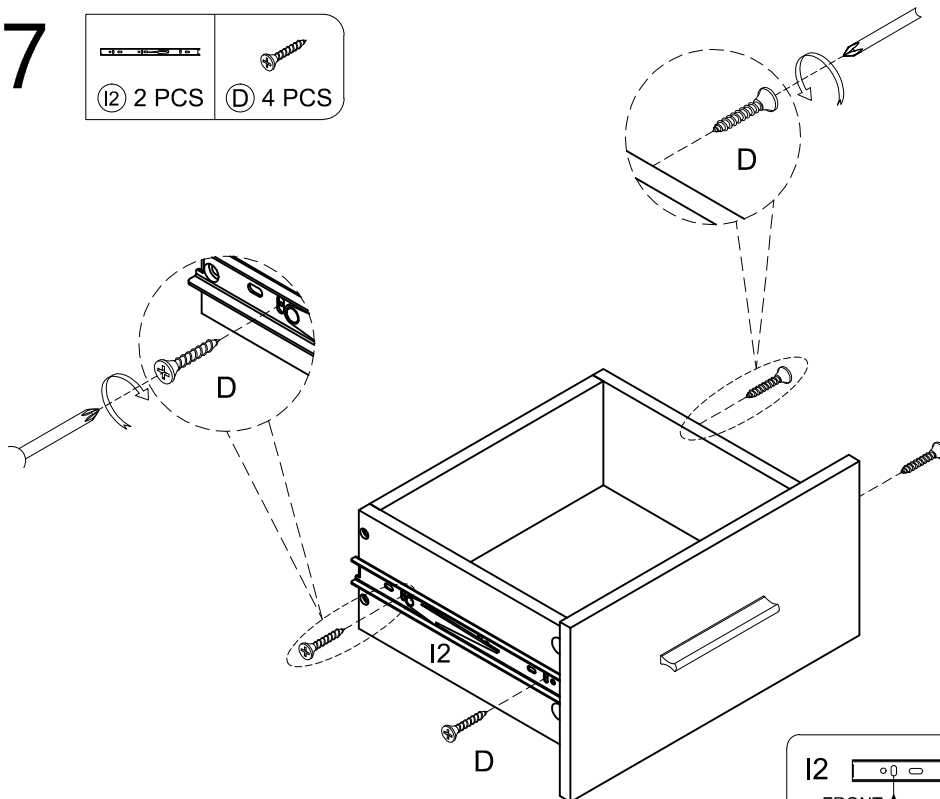
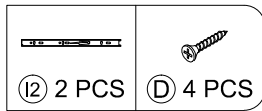
25



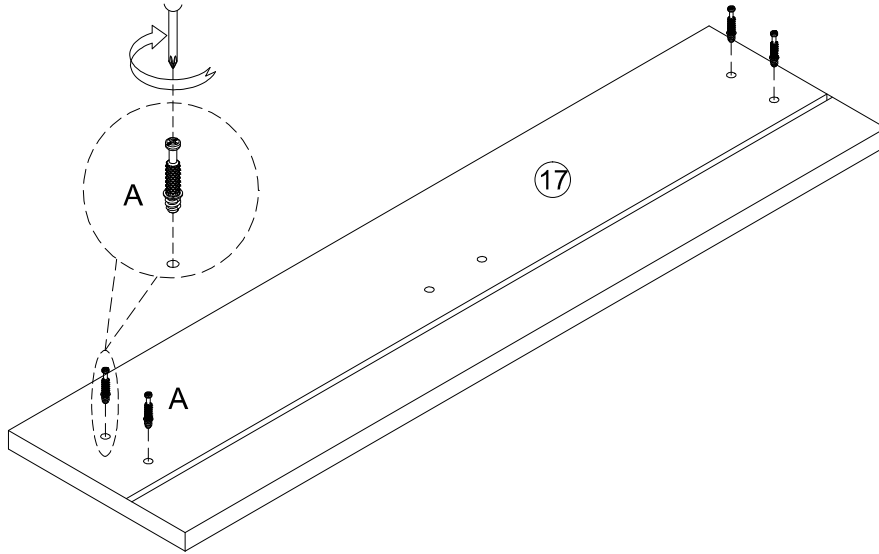
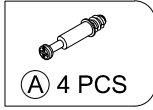
26



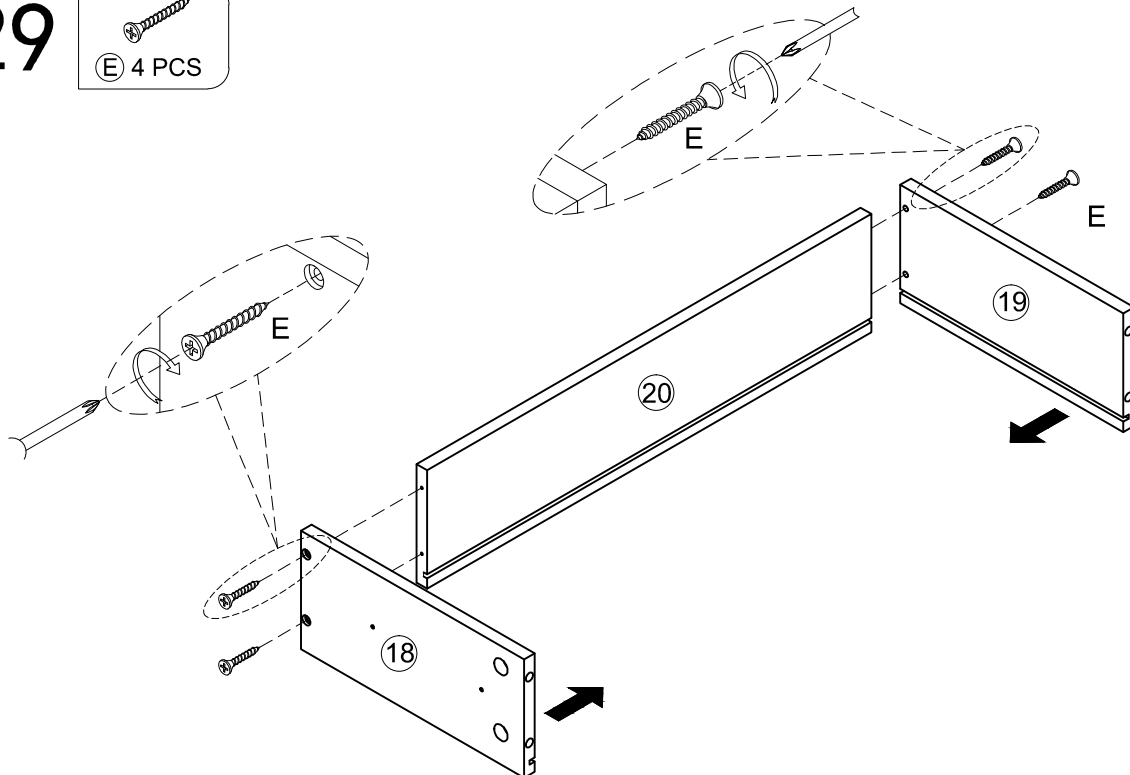
27



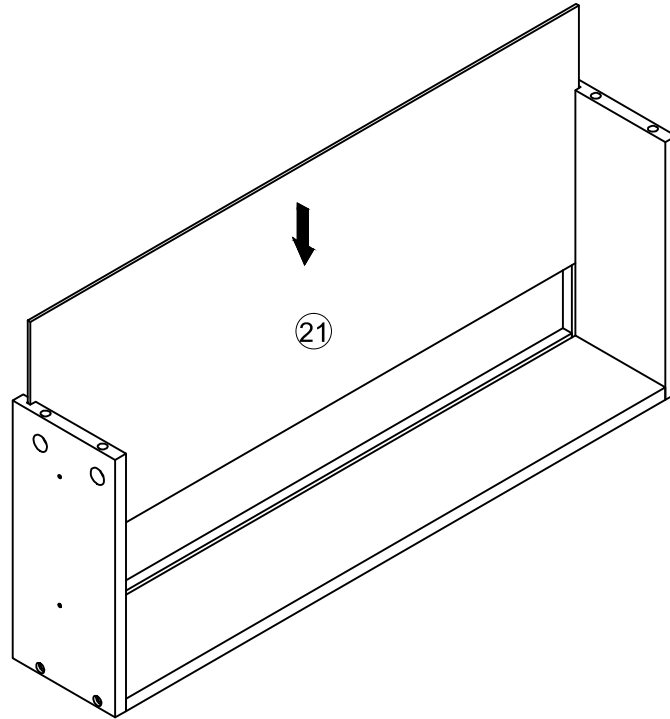
28



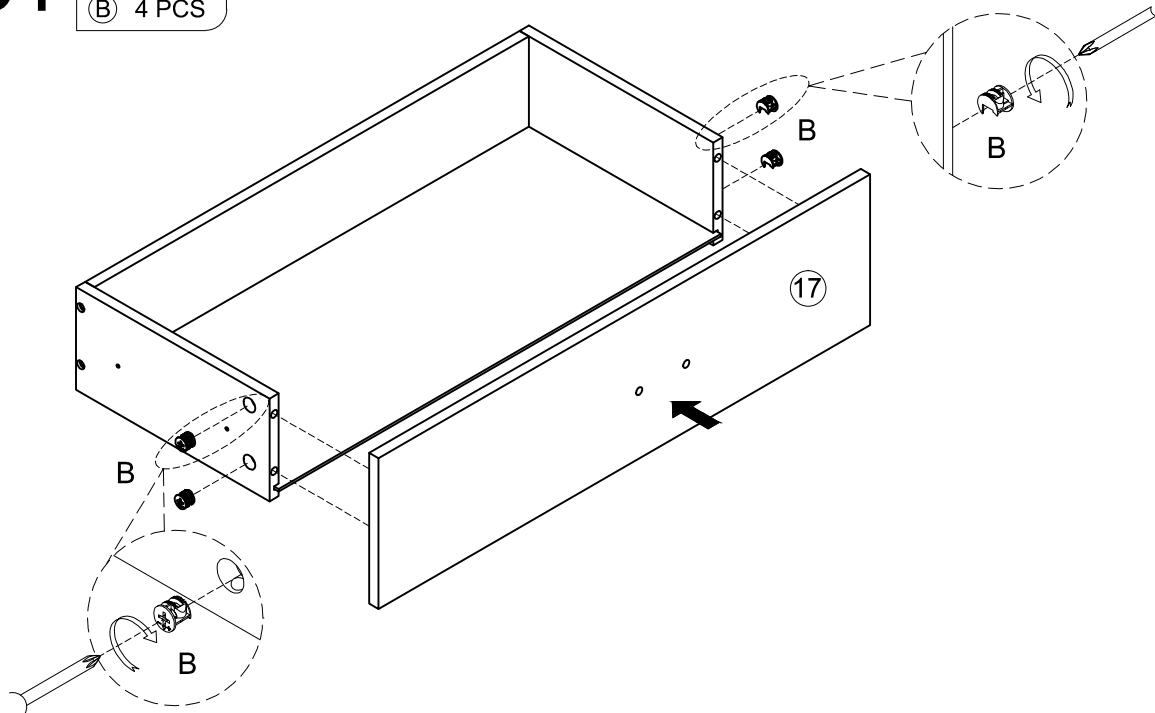
29



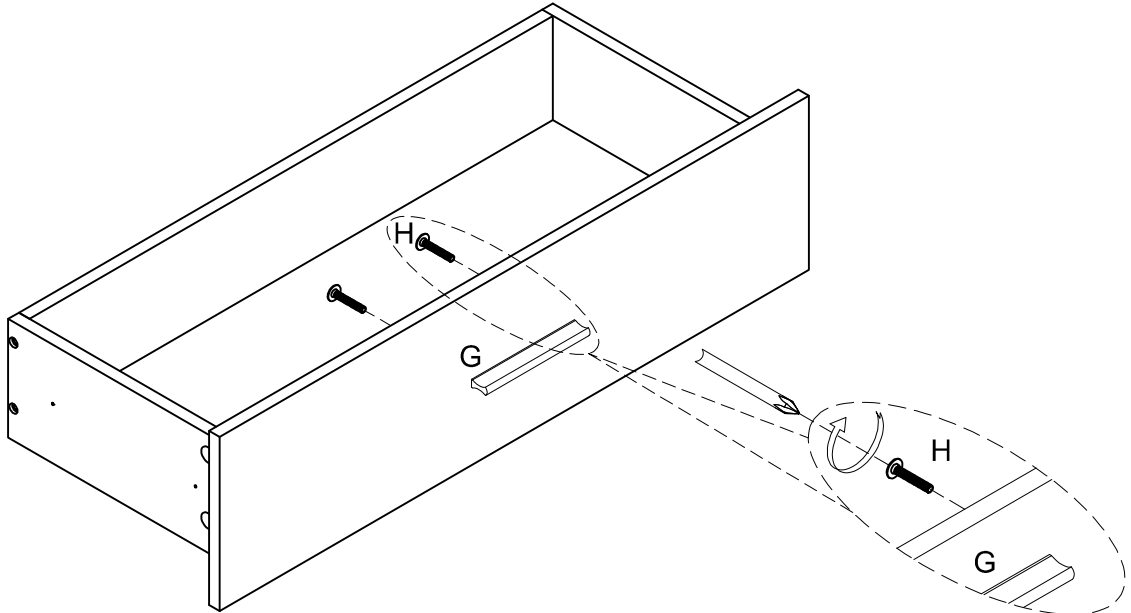
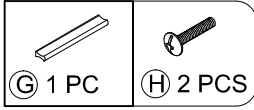
30



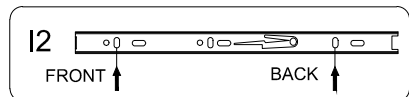
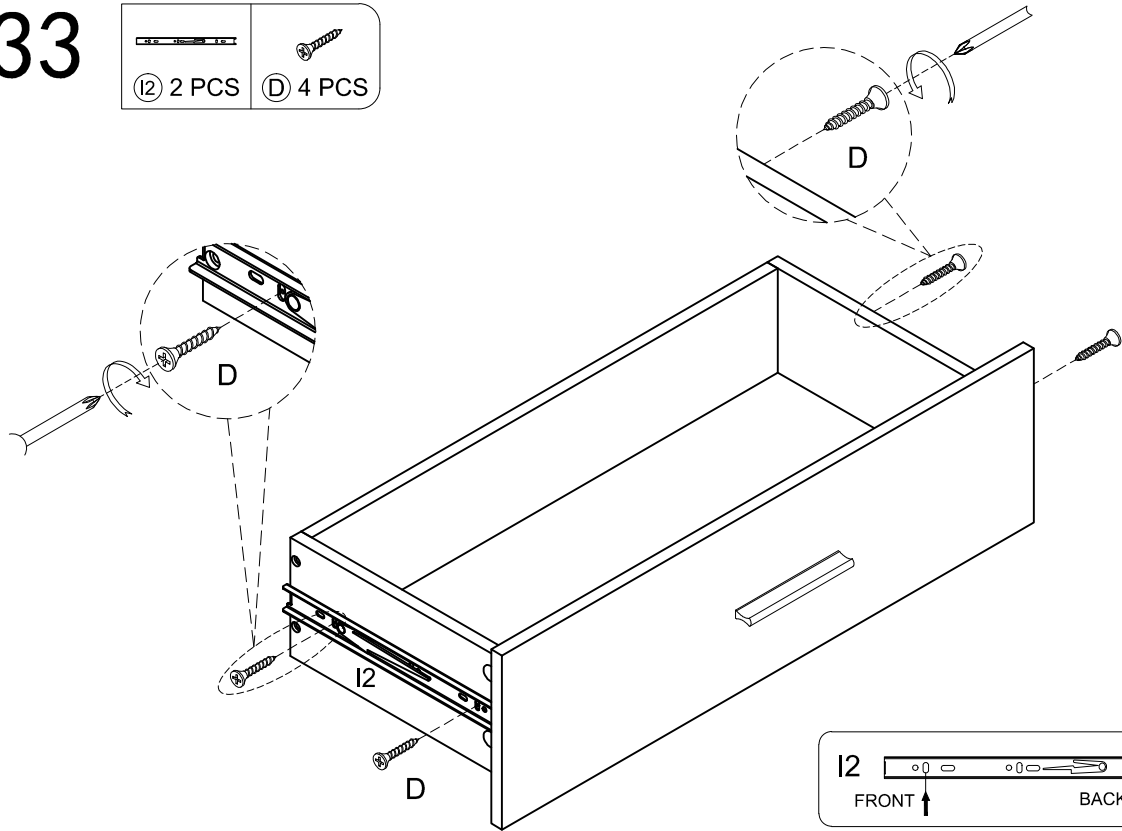
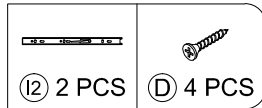
31



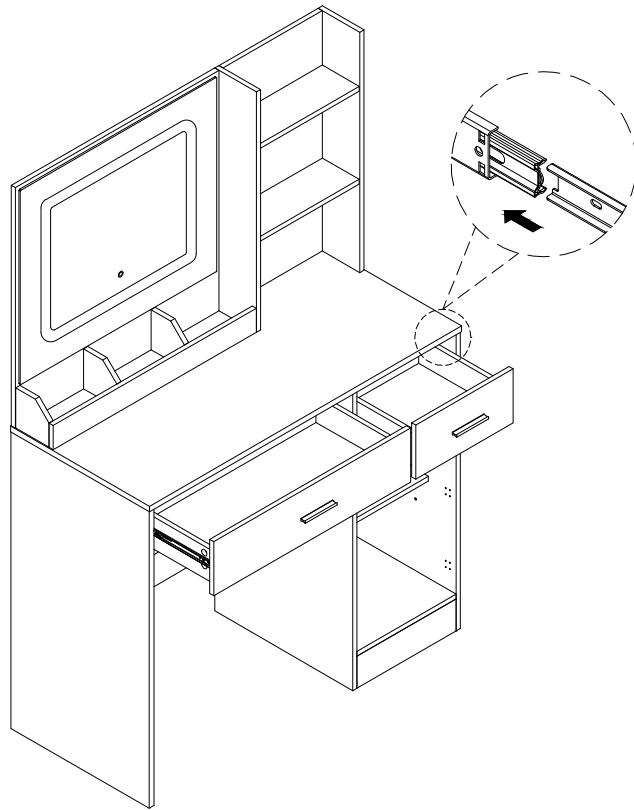
32



33

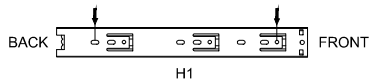


34

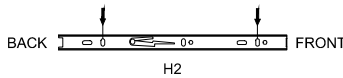


You inner and outer drawer runner are ready to be fixed to panels.

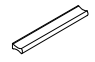



⚠ When installing the outer guide rail, please use the guide rail notch to assemble towards the inner direction of the drawer. Please fix the screws according to the marked position. If the installed position is changed, adjust it side-to-side at the marked position.

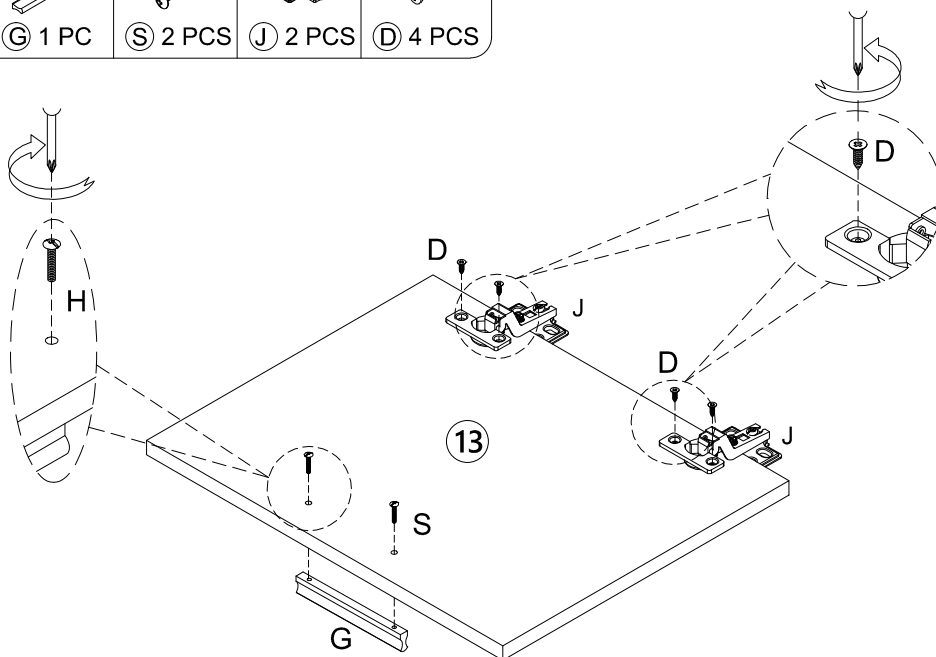


⚠ When installing the inner guide rail, please use the guide rail notch to assemble towards the inner direction of the drawer. Please fix the screws according to the marked position. If the installed position is changed, adjust it up and down at the marked position.

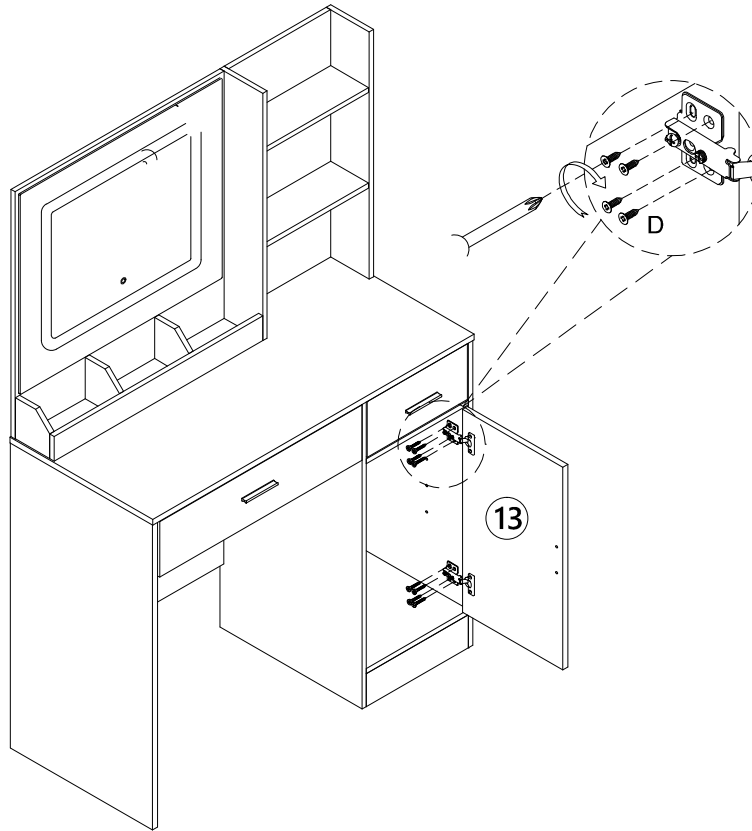


35

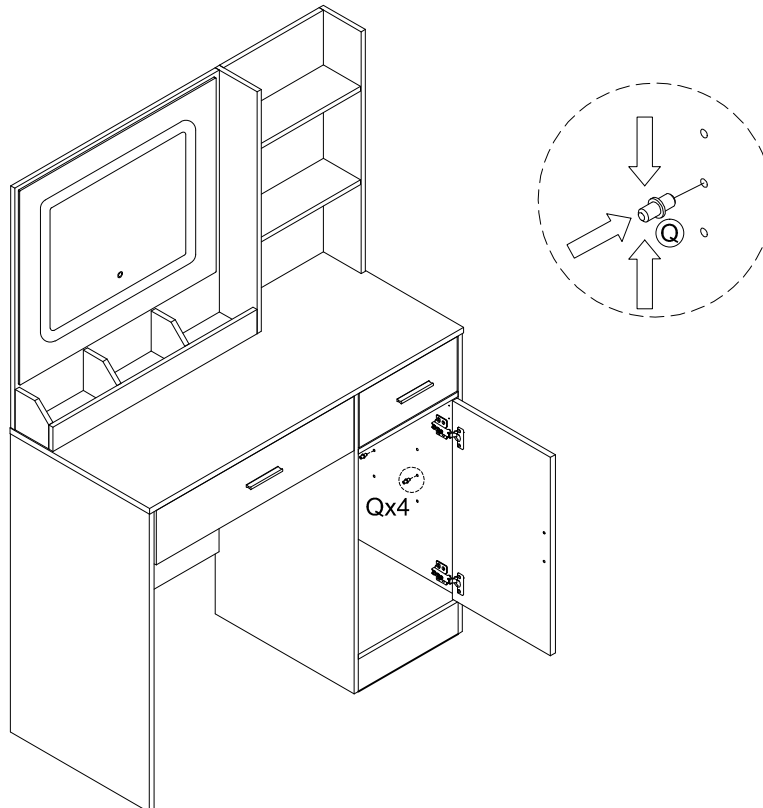
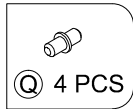
- 
G 1 PC
- 
S 2 PCS
- 
J 2 PCS
- 
D 4 PCS



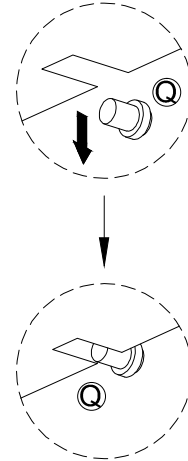
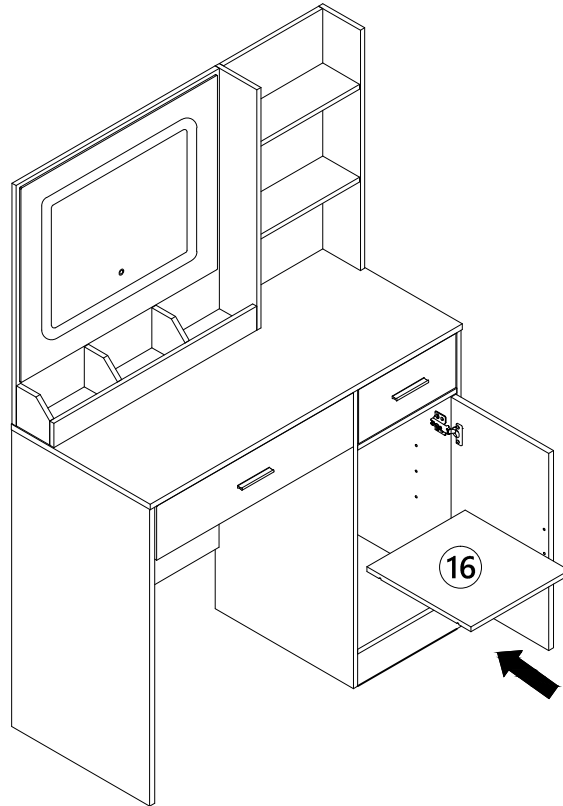
36








37

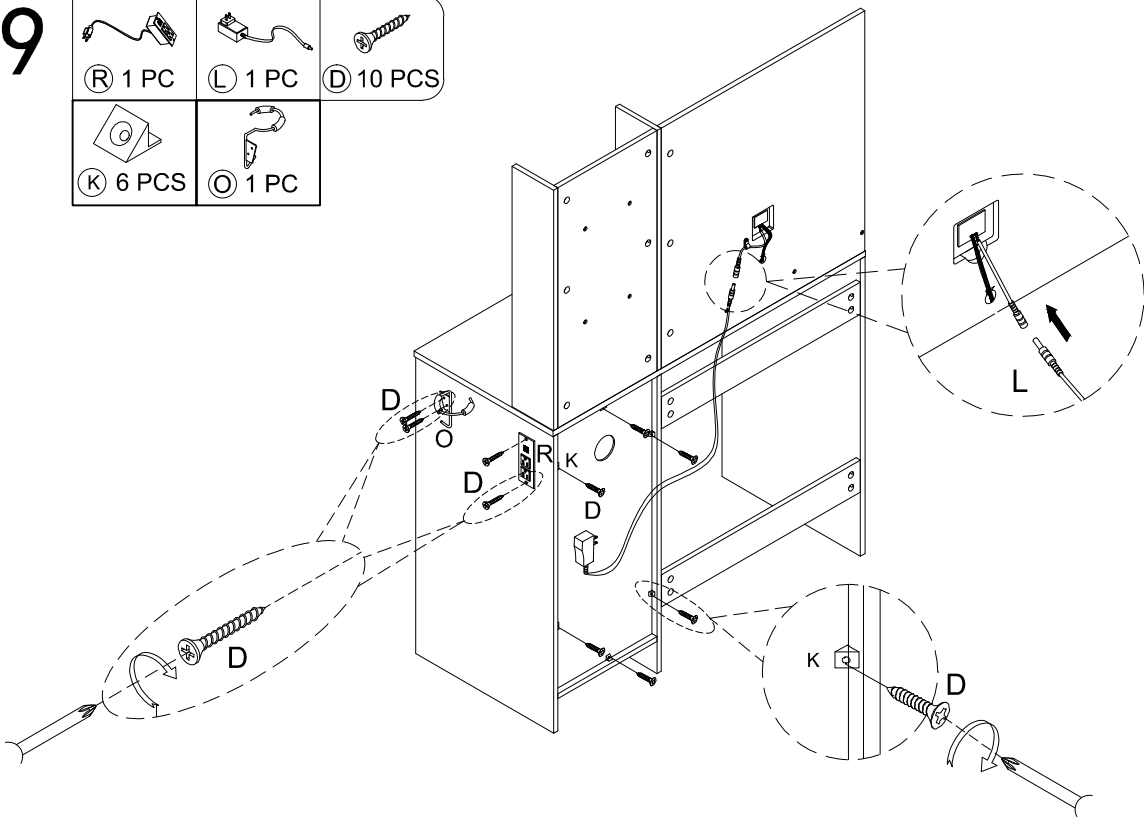


38

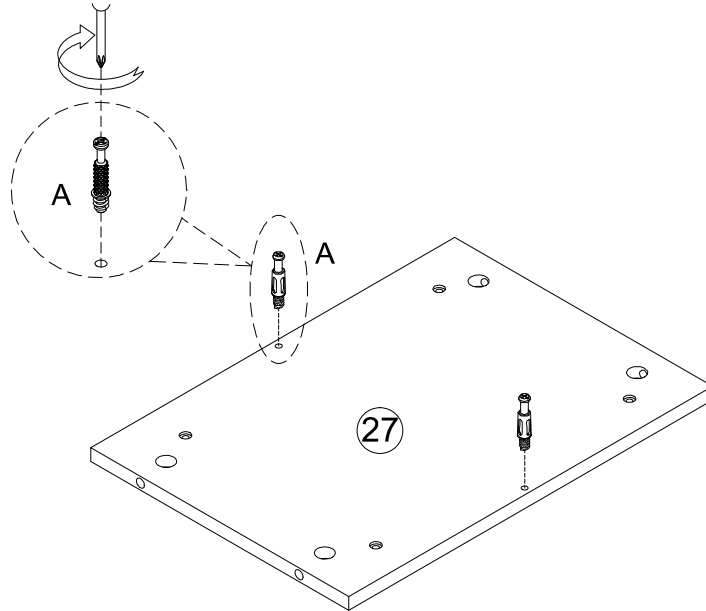
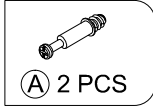


39

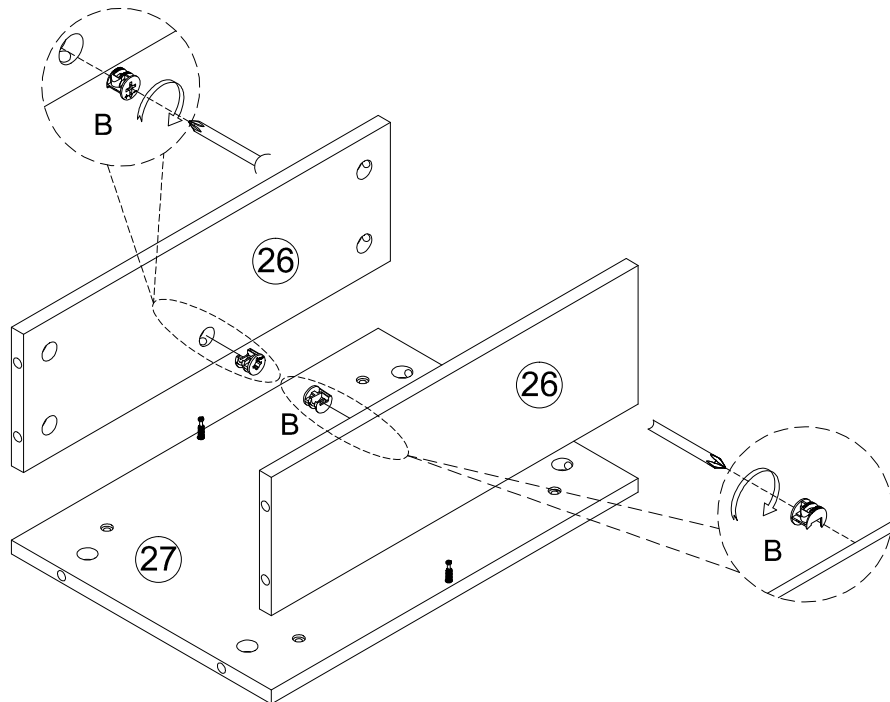
 R 1 PC	 L 1 PC	 D 10 PCS
 K 6 PCS	 O 1 PC	



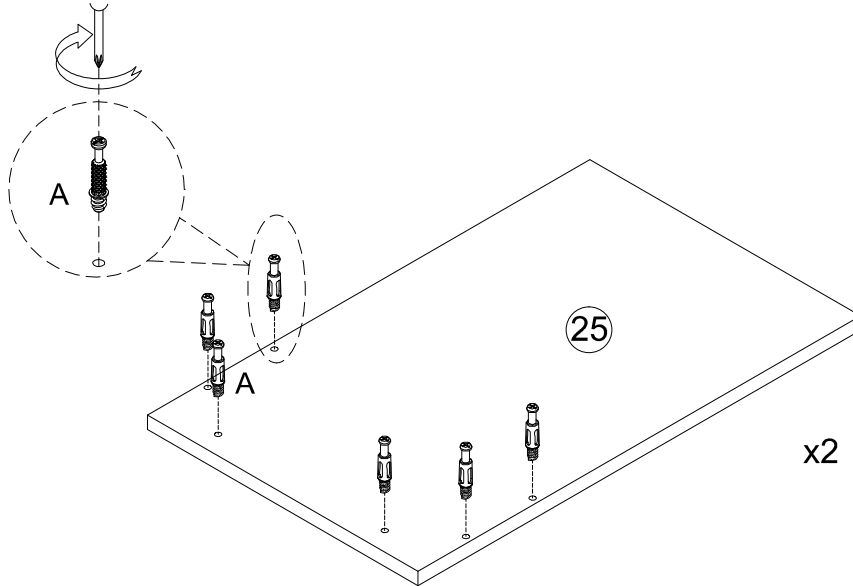
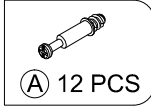
40



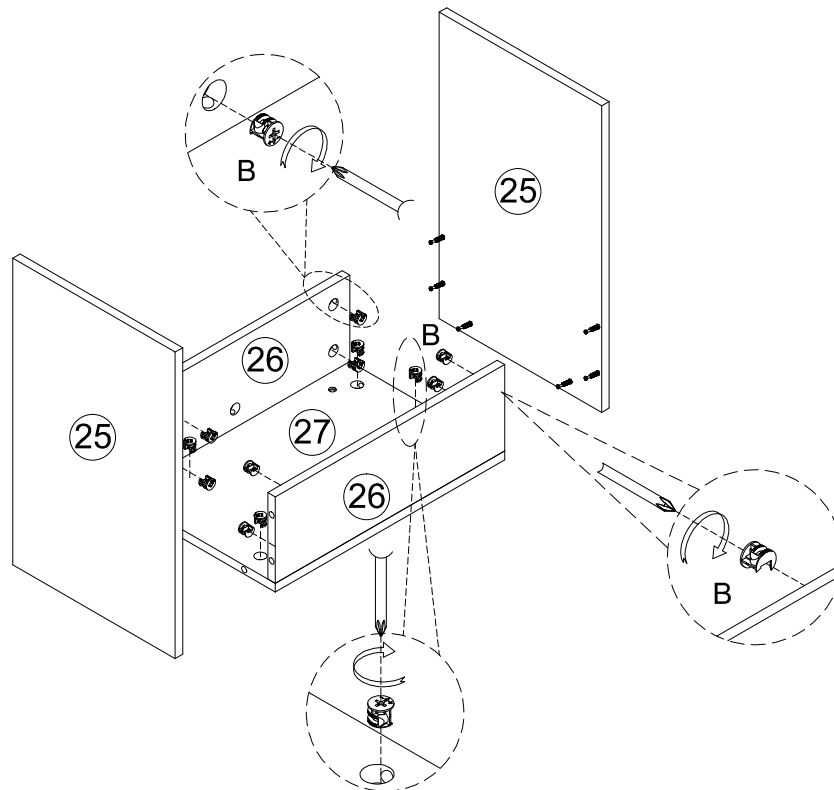
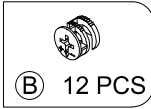
41



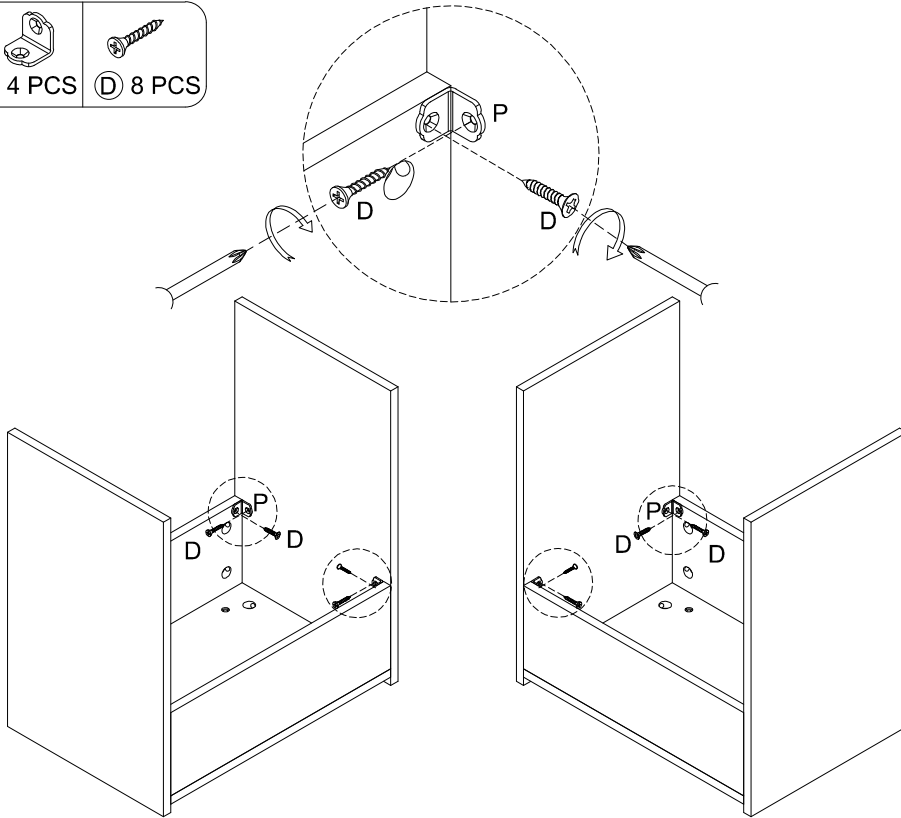
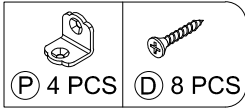
42



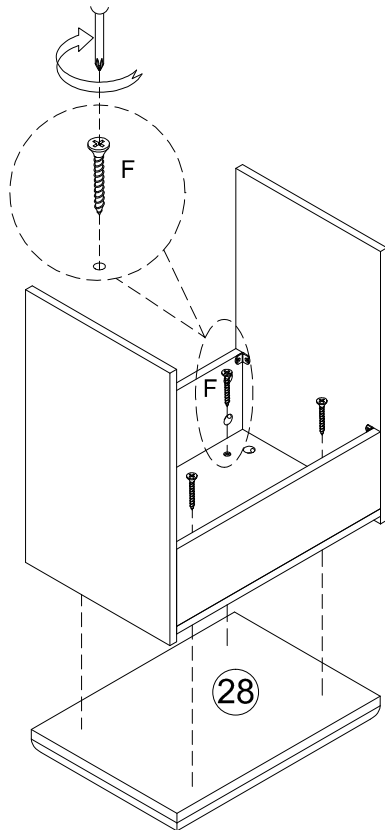
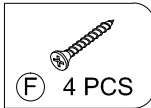
43



44

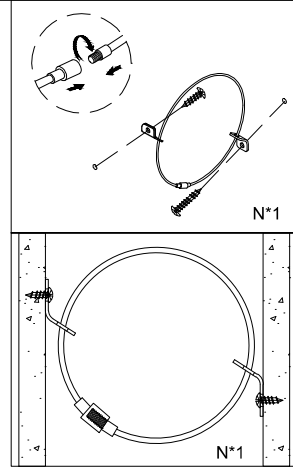
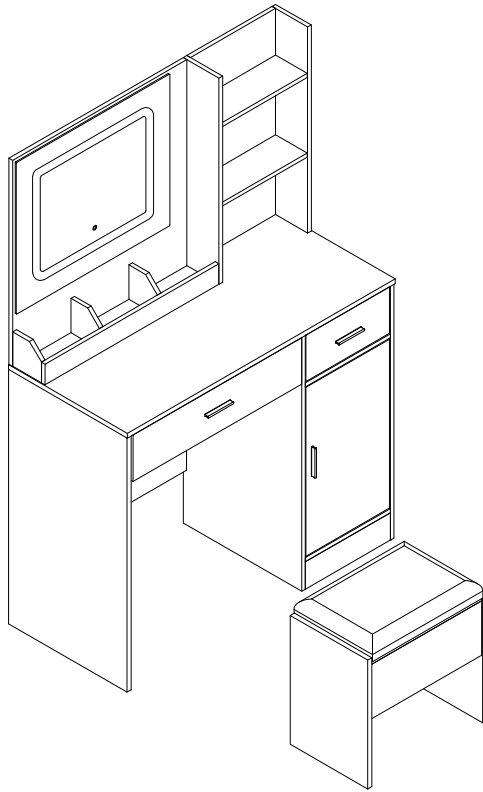


45



28

46



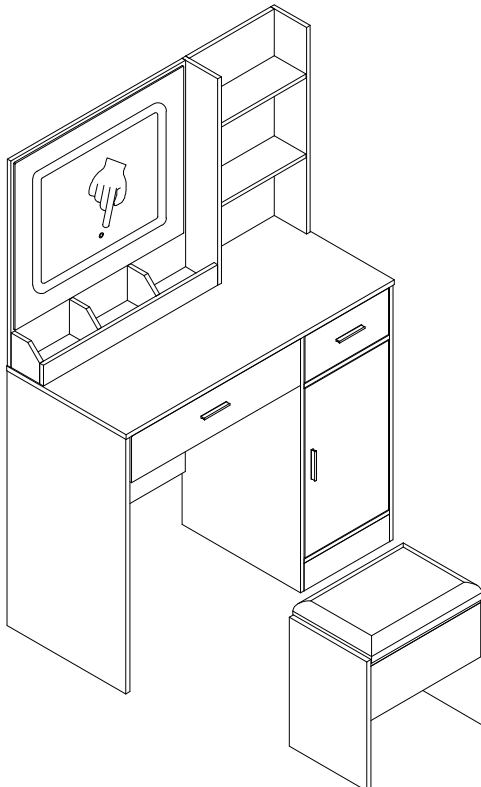
WARNING



Children have died from furniture tipover. To reduce the risk of furniture tipover:

- . ALWAYS install tipover restraint provided.
- . NEVER allow children to stand, climb or hang on drawers, doors, or shelves.
- . Place heaviest items in the lowest drawers.
- . When using power supply, pay attention to the safety of electricity

47



This vanity mirror has a smart LED Light (Cold, Natural, Warm) that can be adjusted in 3 colors, a short press to change the color and a long press to adjust the brightness.