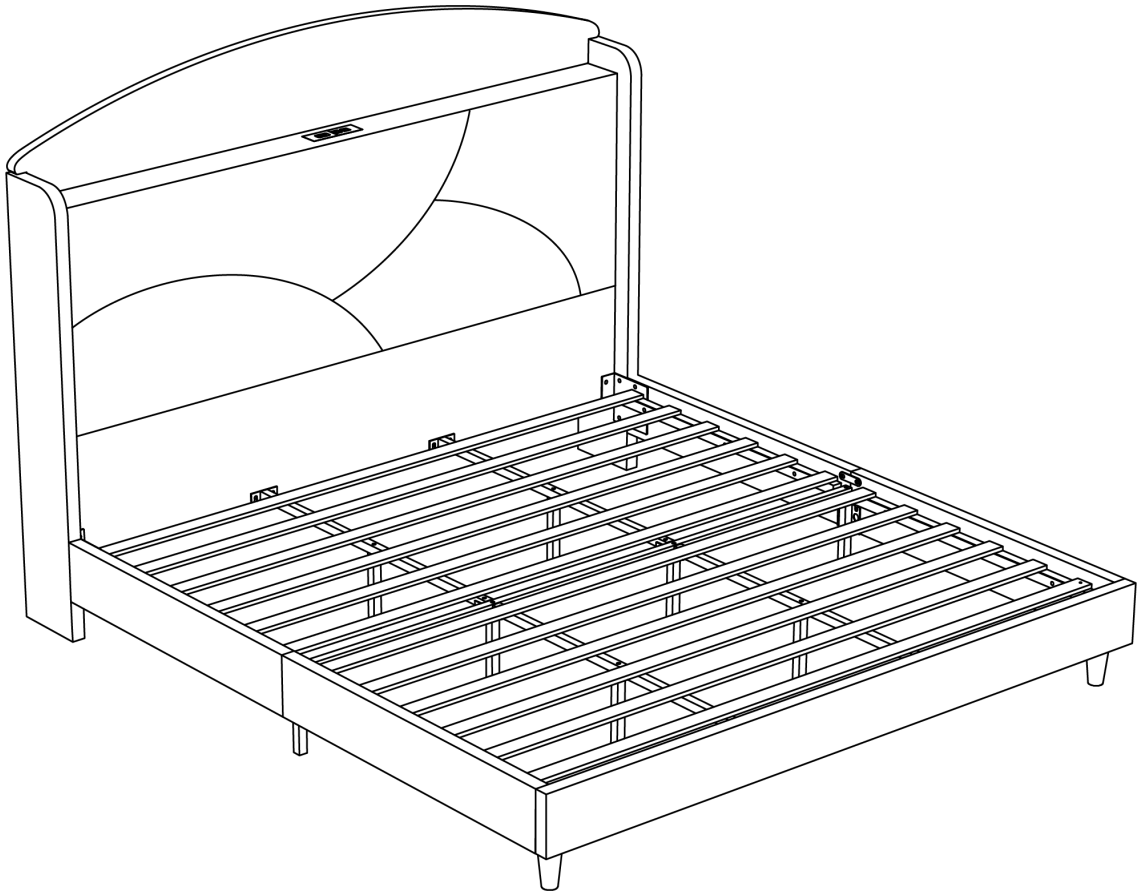


Bookcase Bed



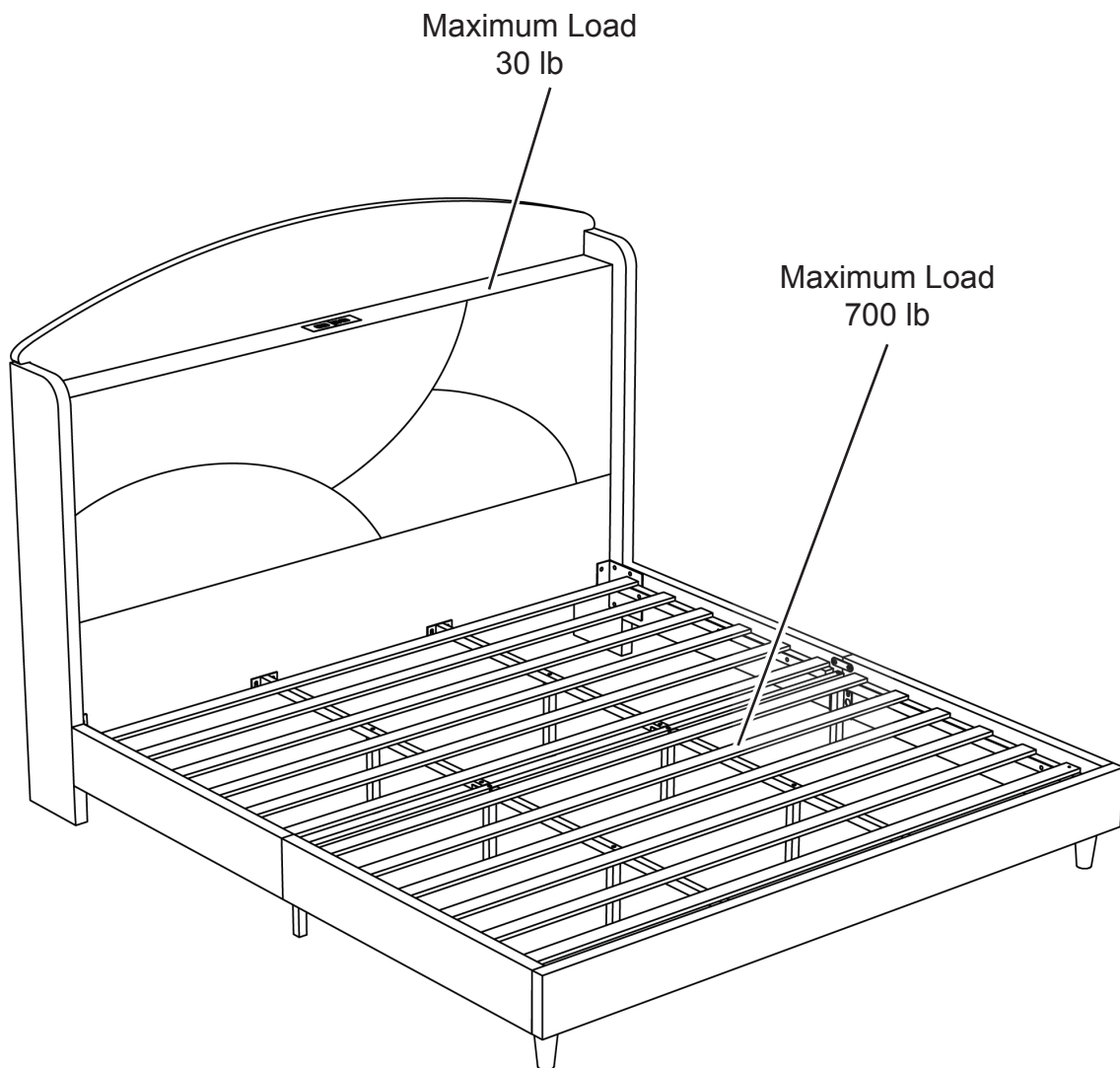


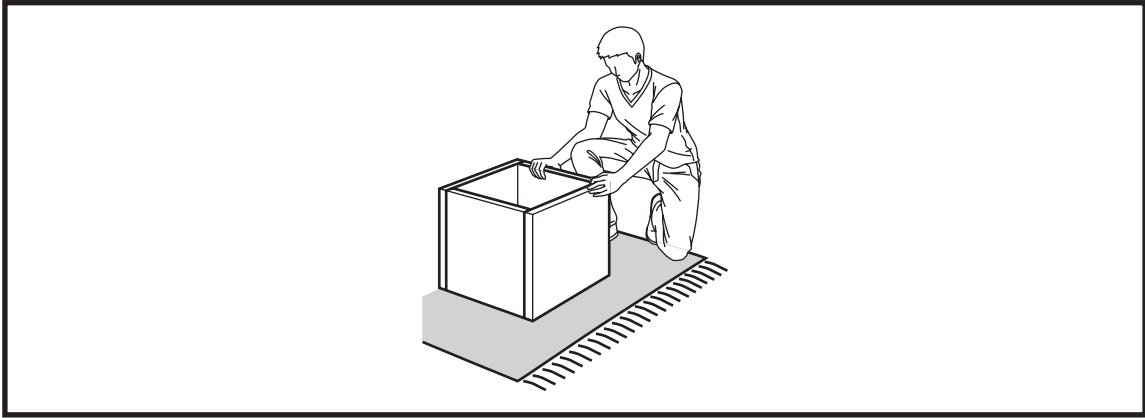
Estimated time for assembly:

70 mins



Weight limitations are as follows:

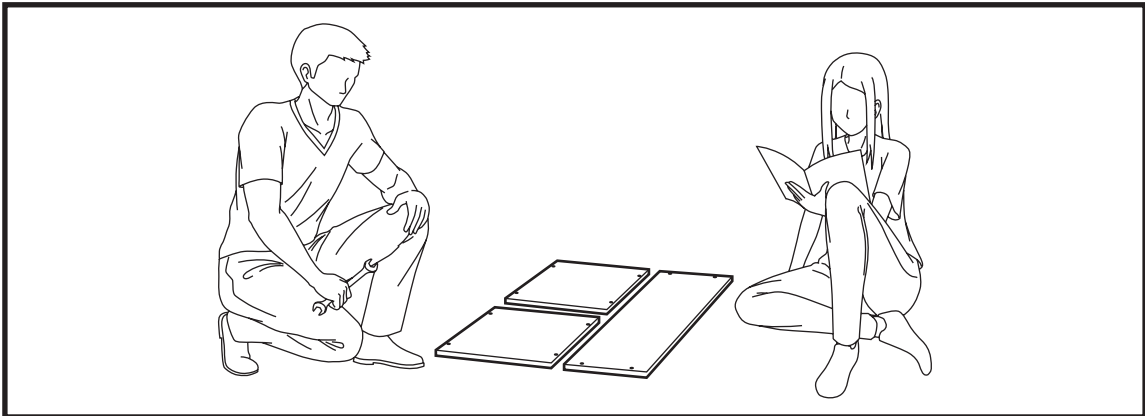




Assemble the furniture on an empty carton, carpet, or rug to prevent scratches or damage.

For safety, please keep pets and children away from the assembly area.

Ensure the product is fully assembled before use. If you are missing any hardware or products, do not use it until you have restored the missing parts.



This furniture requires 2 people for assembly.

Read this instruction manual prior to assembly to familiarize yourself with the various steps.

Lay out all components and hardware separately on a flat surface and make sure that no parts are missing or damaged before assembly. Do not destroy or discard any packaging until you are certain that you have all the necessary parts for assembly.

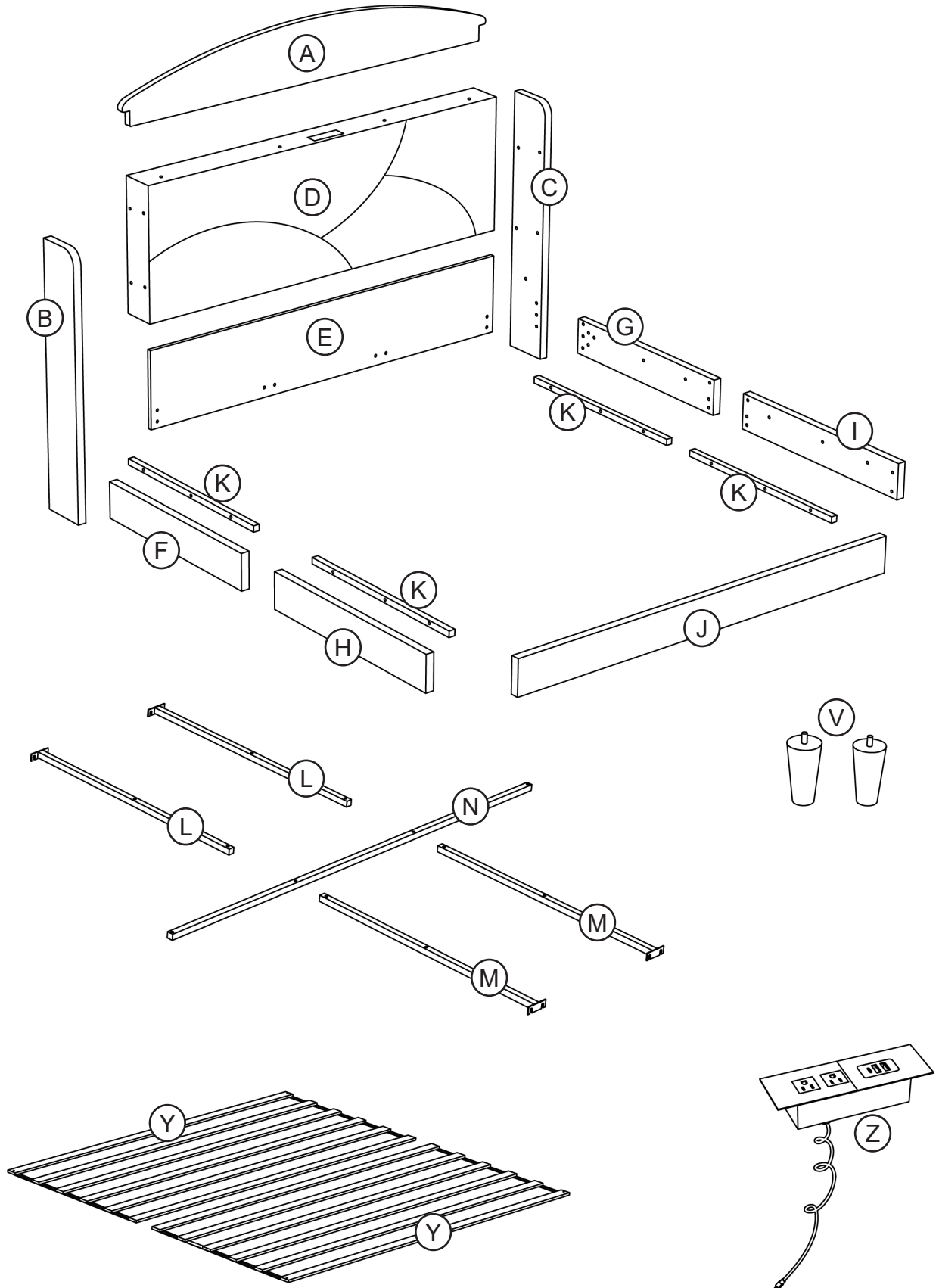
Hand tight all hardware and careful not to over tighten to avoid damaging the product.

CAUTION

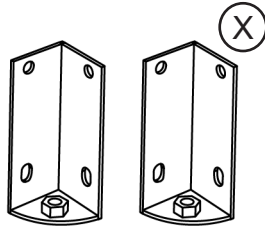
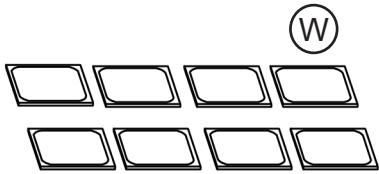
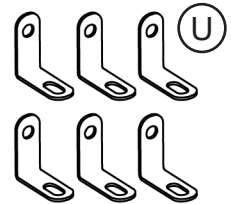
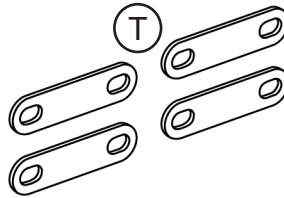
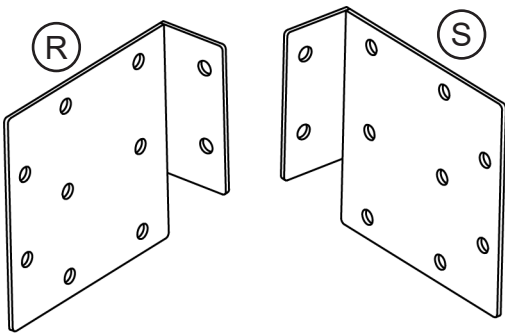
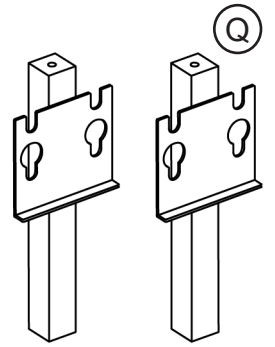
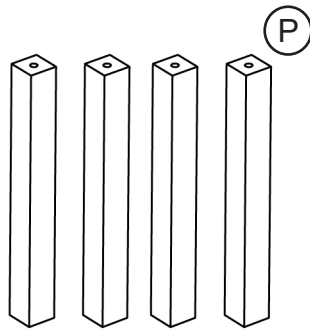
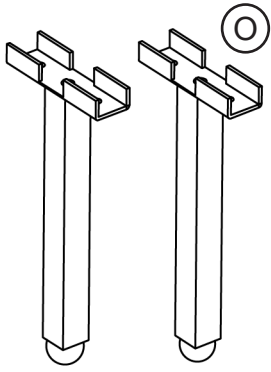
There are small components used in the construction of this product. Loose items should be kept away from pets and children to avoid a choking hazard.

Keep all plastic bags and packaging film away from pets and children to avoid suffocation.

PACKAGE CONTENTS



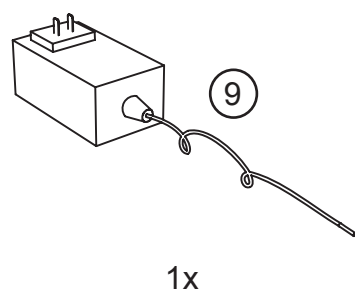
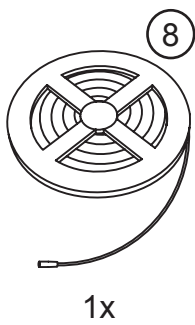
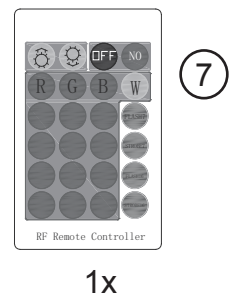
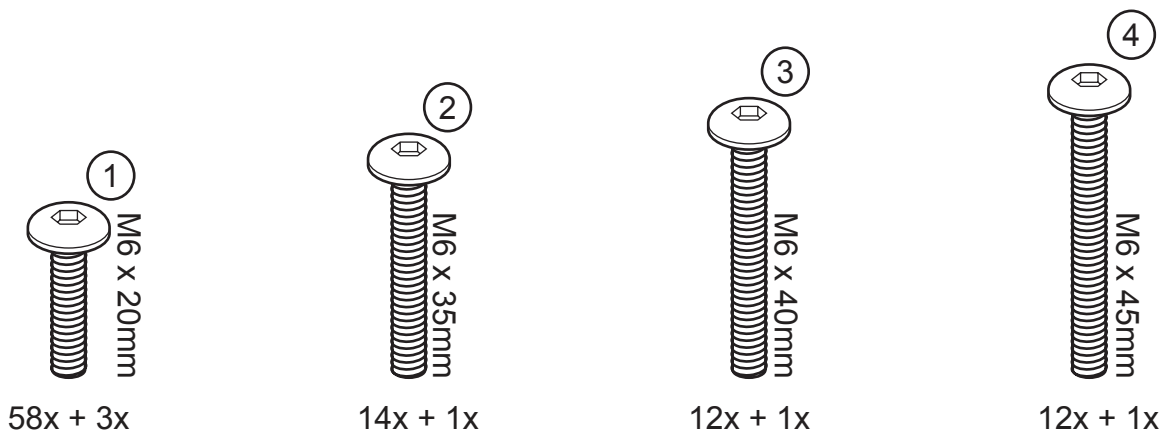
PACKAGE CONTENTS



PACKAGE CONTENTS

CODE	DESCRIPTION	QTY
A	Top Panel	1
B	Right Headboard Leg	1
C	Left Headboard Leg	1
D	Headboard	1
E	Bottom Headboard Panel	1
F	Side Panel	1
G	Side Panel	1
H	Side Panel	1
I	Side Panel	1
J	Footboard	1
K	Side Rail	4
L	Support Beam	2
M	Support Beam	2
N	Support Crossbar	1
O	Center Support Leg	2
P	Support Leg	4
Q	Side Support Leg	2
R	Right Headboard Connection Plate	1
S	Left Headboard Connection Plate	1
T	Straight Connection Plate	4
U	L-Shaped Connection Plate	6
V	Footboard Leg	2
W	Leg Protection Pads	8
X	Footboard Leg Bracket	2
Y	Slat	2
Z	Power Hub	1

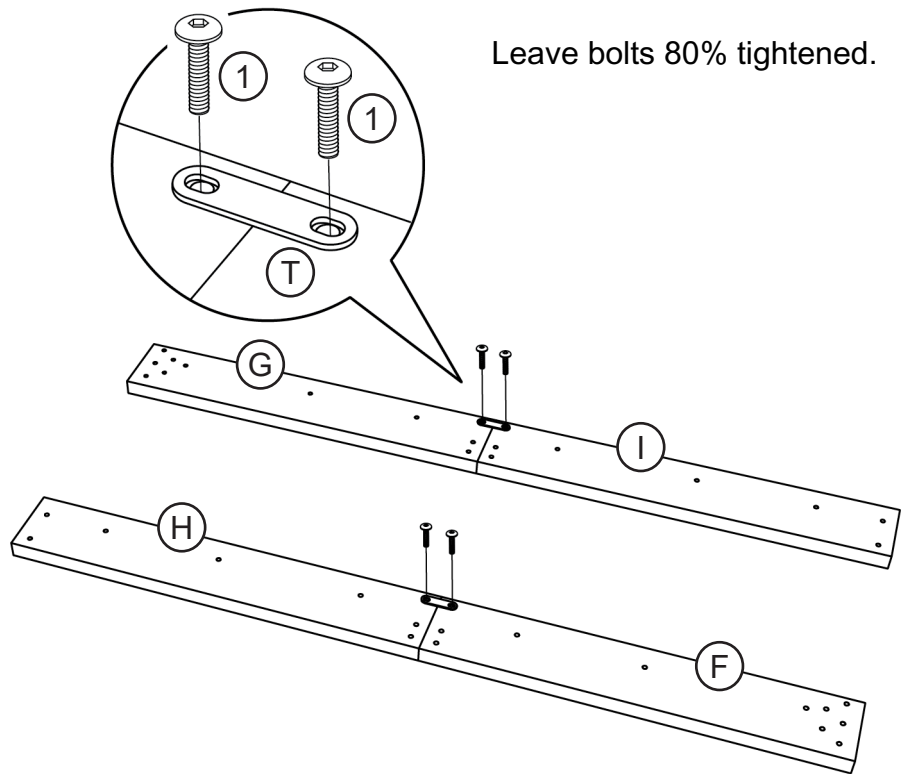
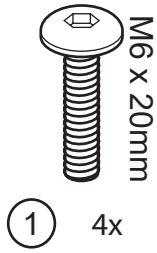
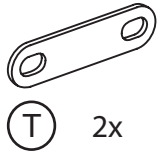
PACKAGE CONTENTS



Install all hardware perpendicular to the opening.

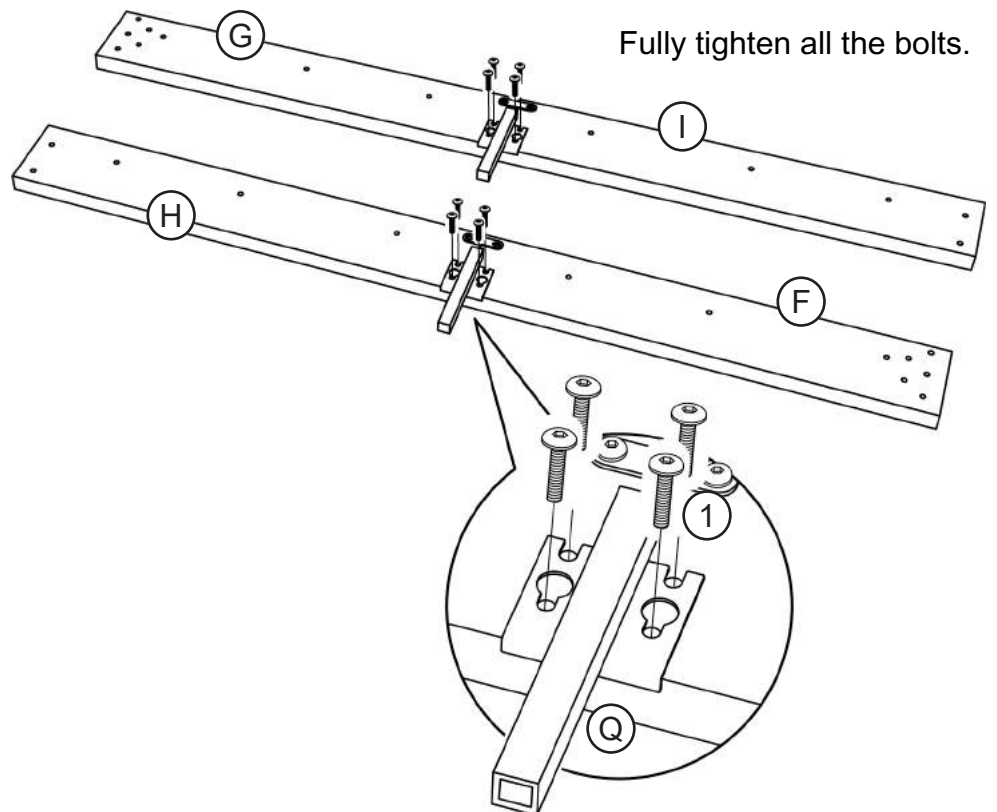
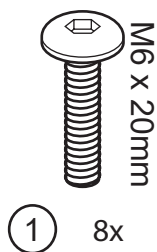
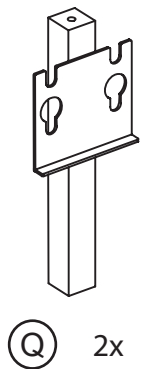
1

Connect the side panels (G, I) (H, F).



2

Attach side support legs (Q) to the side panels.

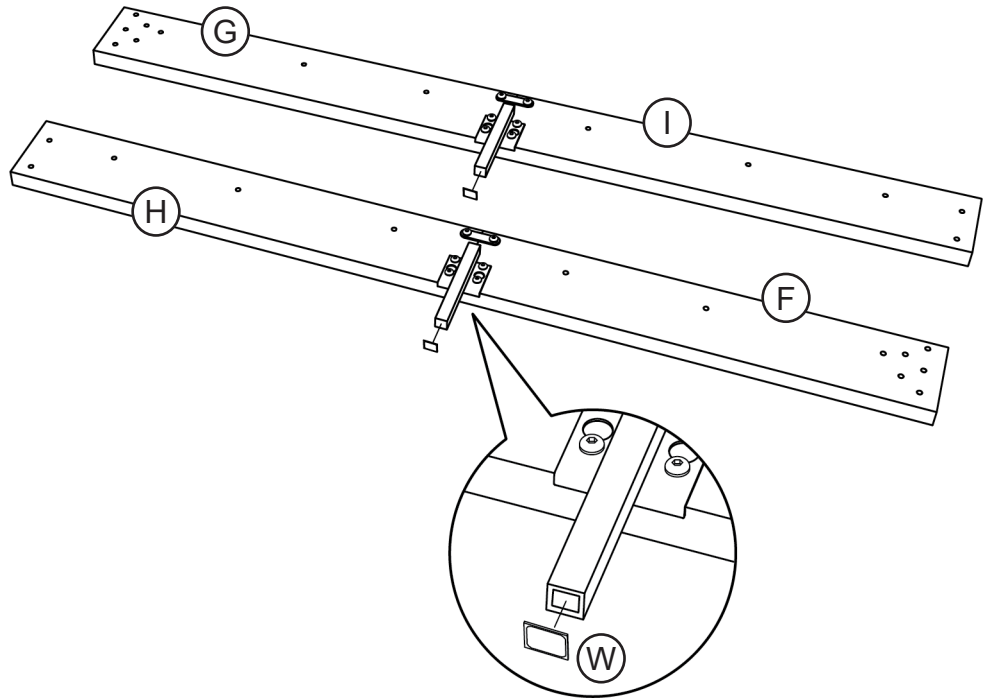


3

Attach leg protection pads under the side support legs.



(W) 2x

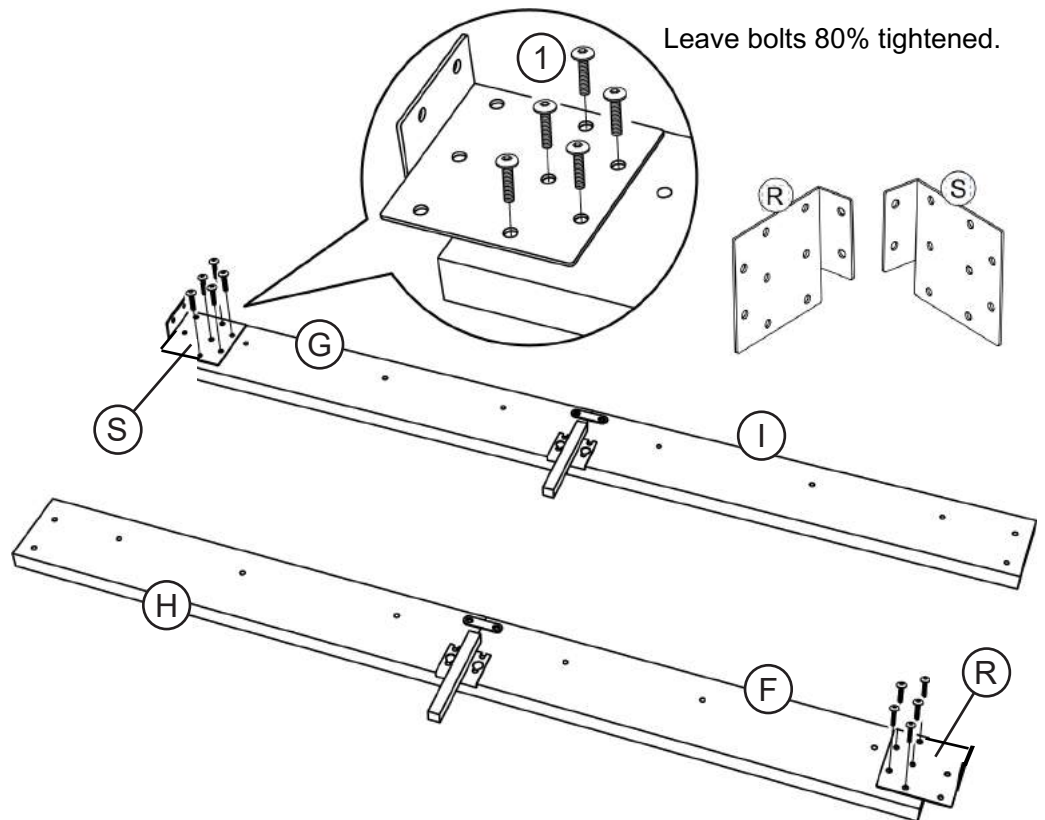


4

Attach headboard connection plate (R, S) to the side panel.



(1) 10x

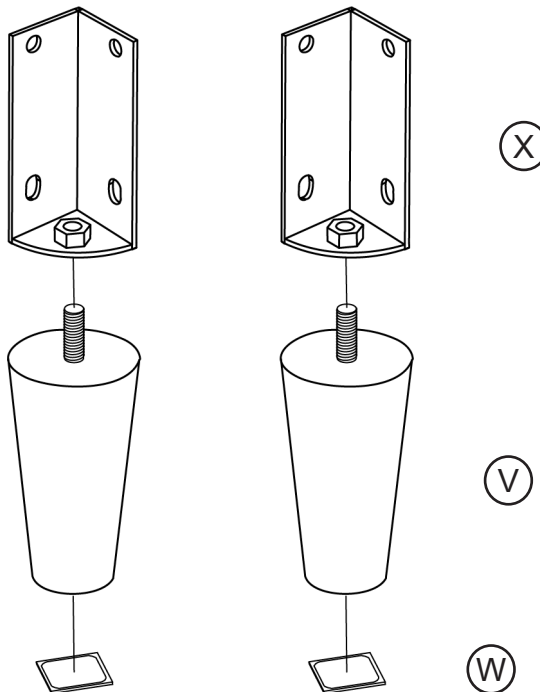


5

Attach leg protection pads (W) to the footboard legs (V) and then screw the leg to the leg brackets (X).



(W) 2x

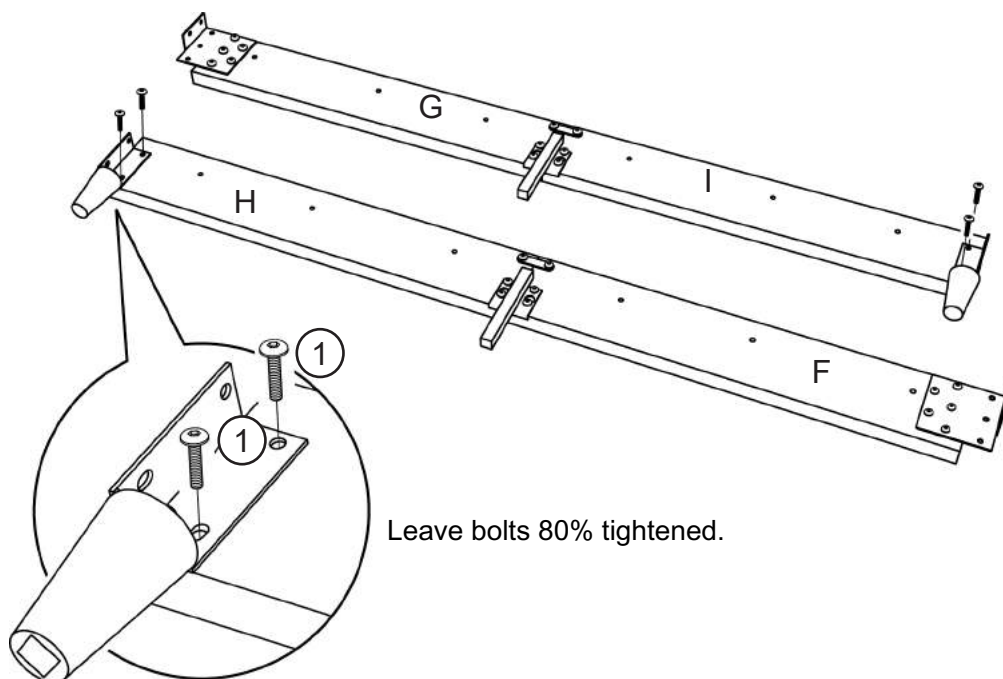


6

Attach the footboard leg bracket to the side panel (H, I)

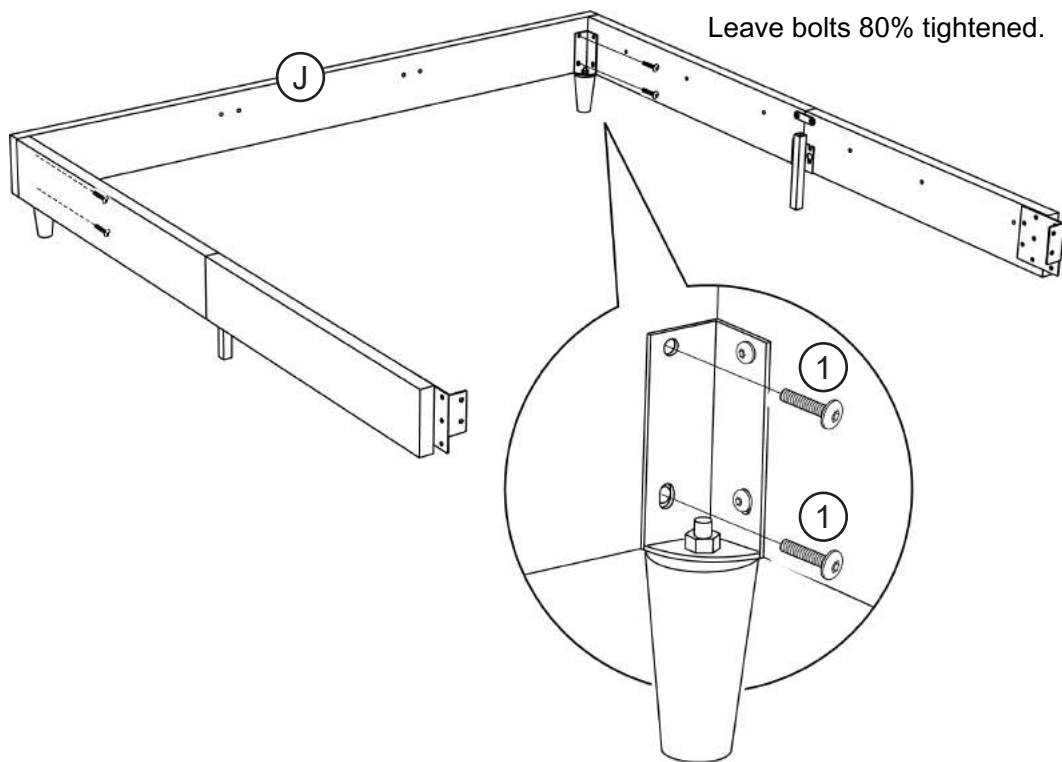
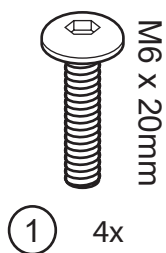


(1) 4x



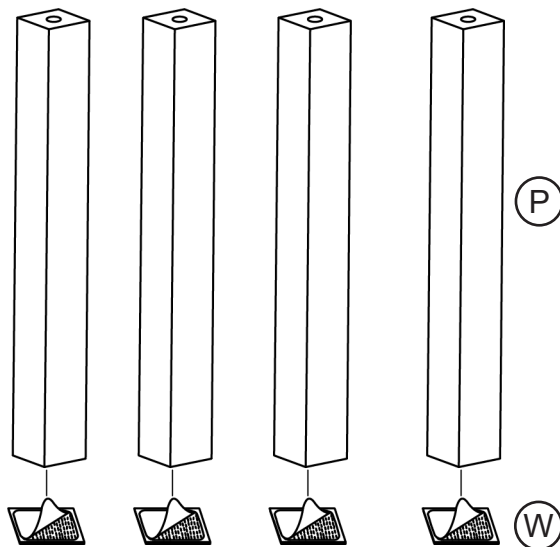
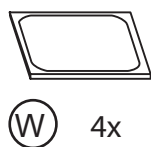
7

Assemble the footboard (J) to the leg brackets.



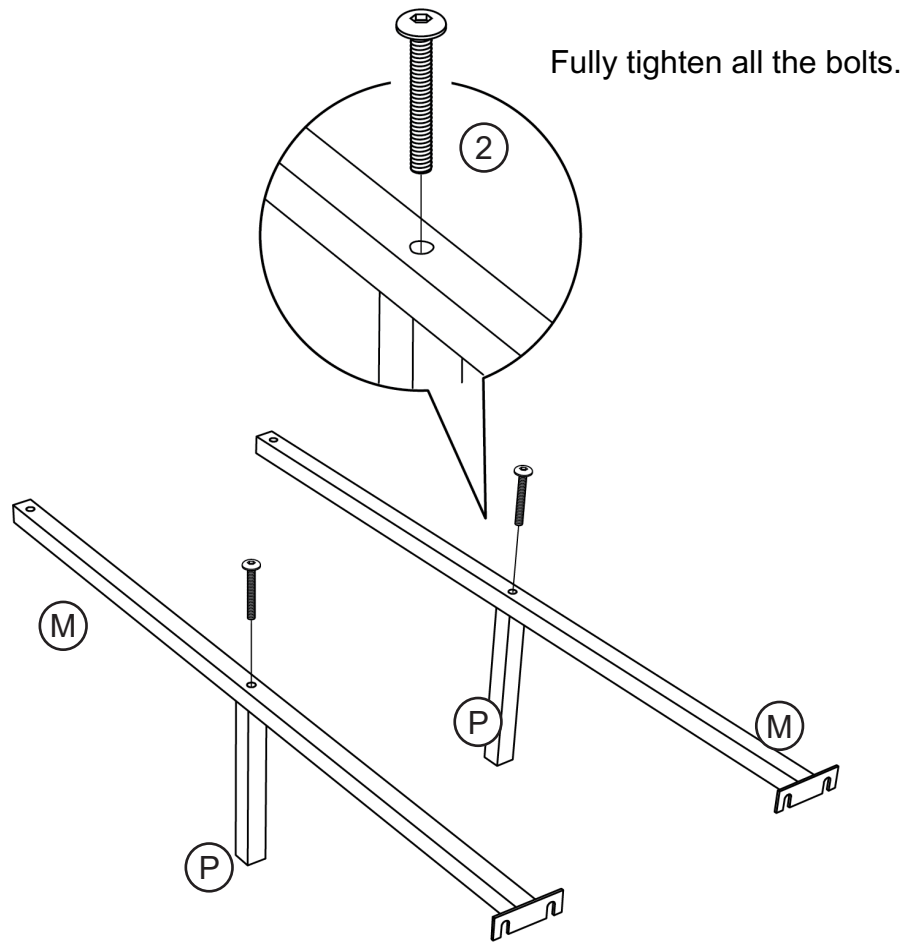
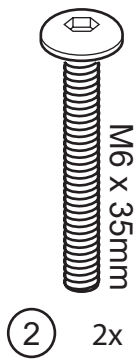
8

Attach protection pads (W) under support legs (P).



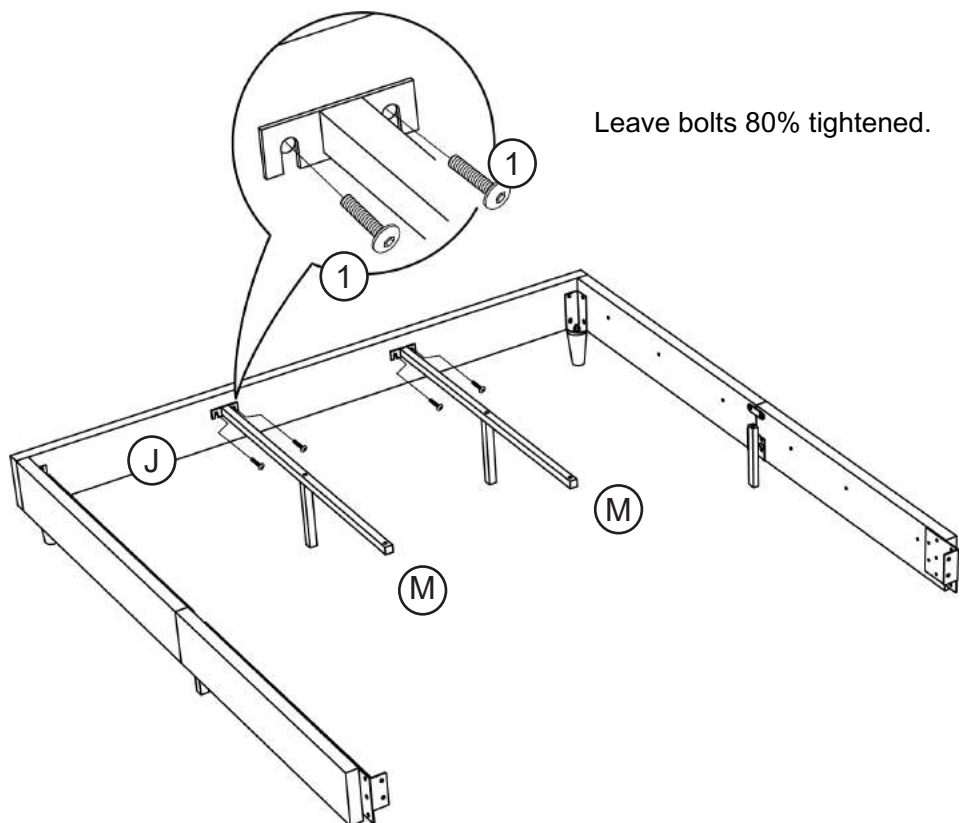
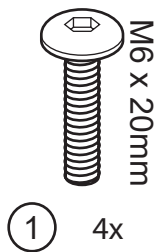
9

Assemble the support leg (P) to the support beam (M).



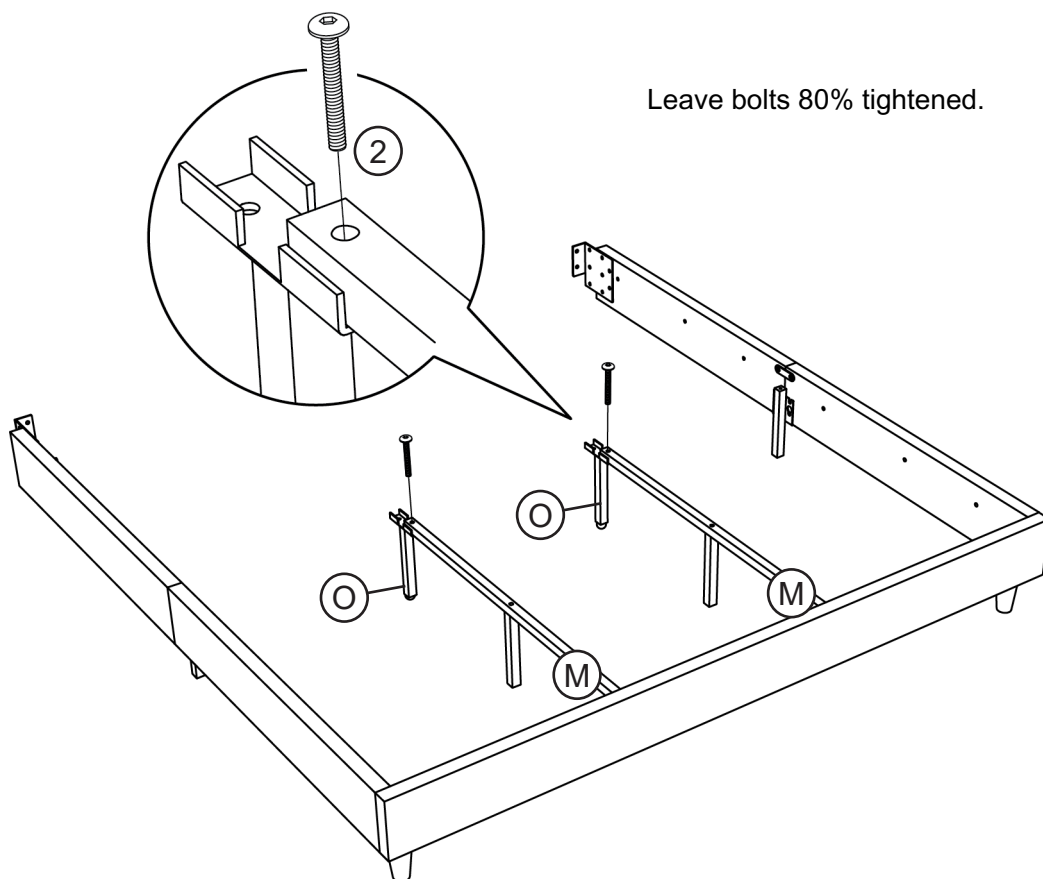
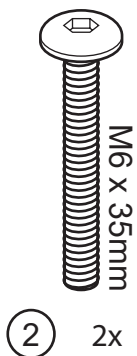
10

Assemble the support beams (M) to the footboard (J).



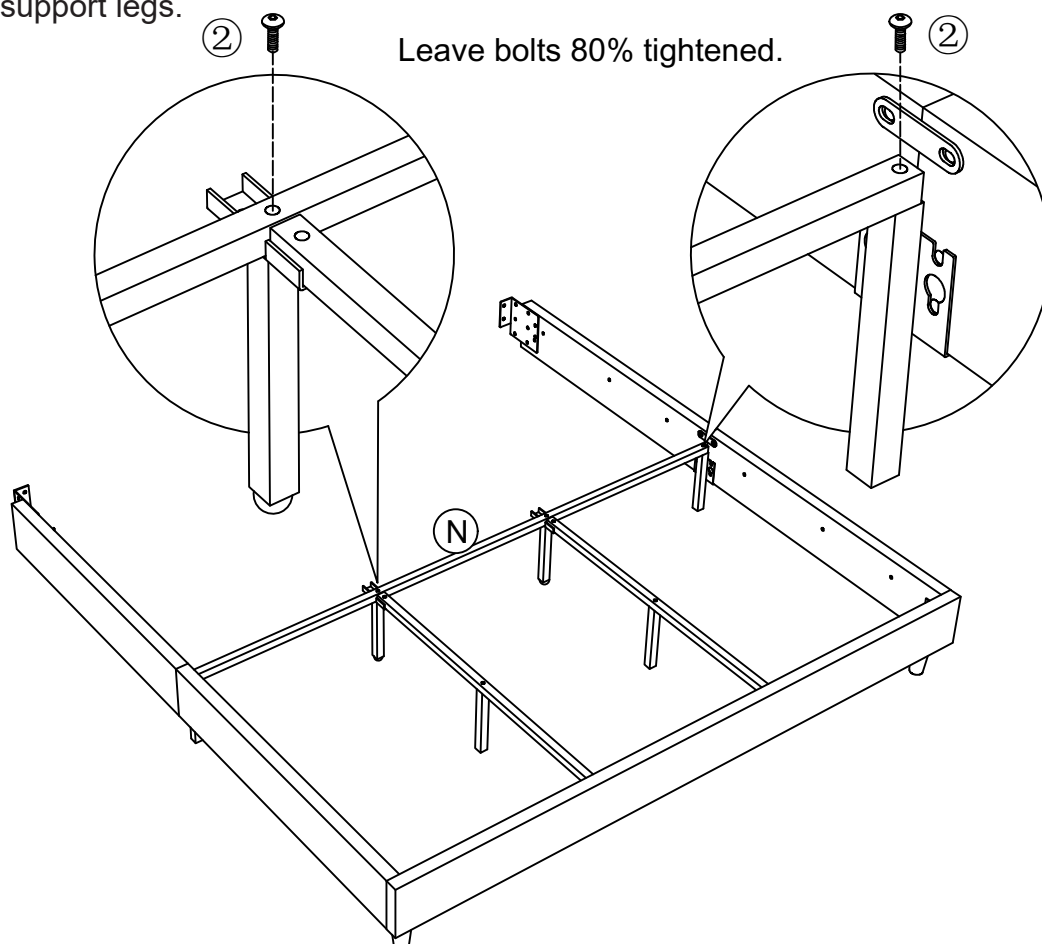
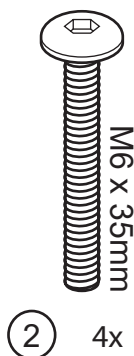
11

Attach center support leg (O) to the support beam (M).



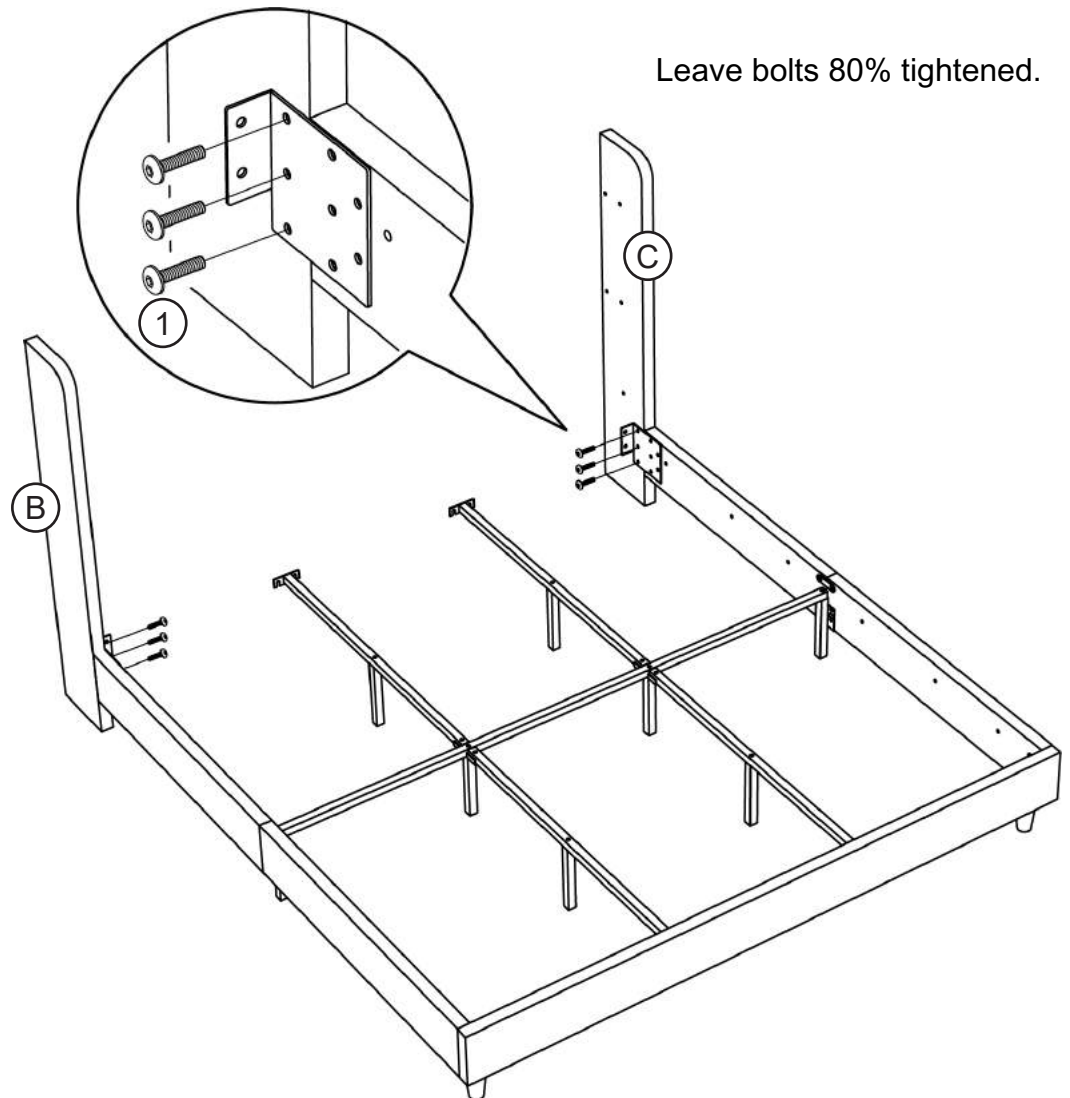
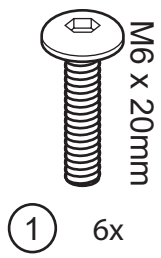
12

Assemble the support crossbar (N) to the center support legs and side support legs.



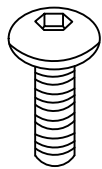
15

Assemble headboard legs (B, C) to the headboard connection plates on the side panels.



16

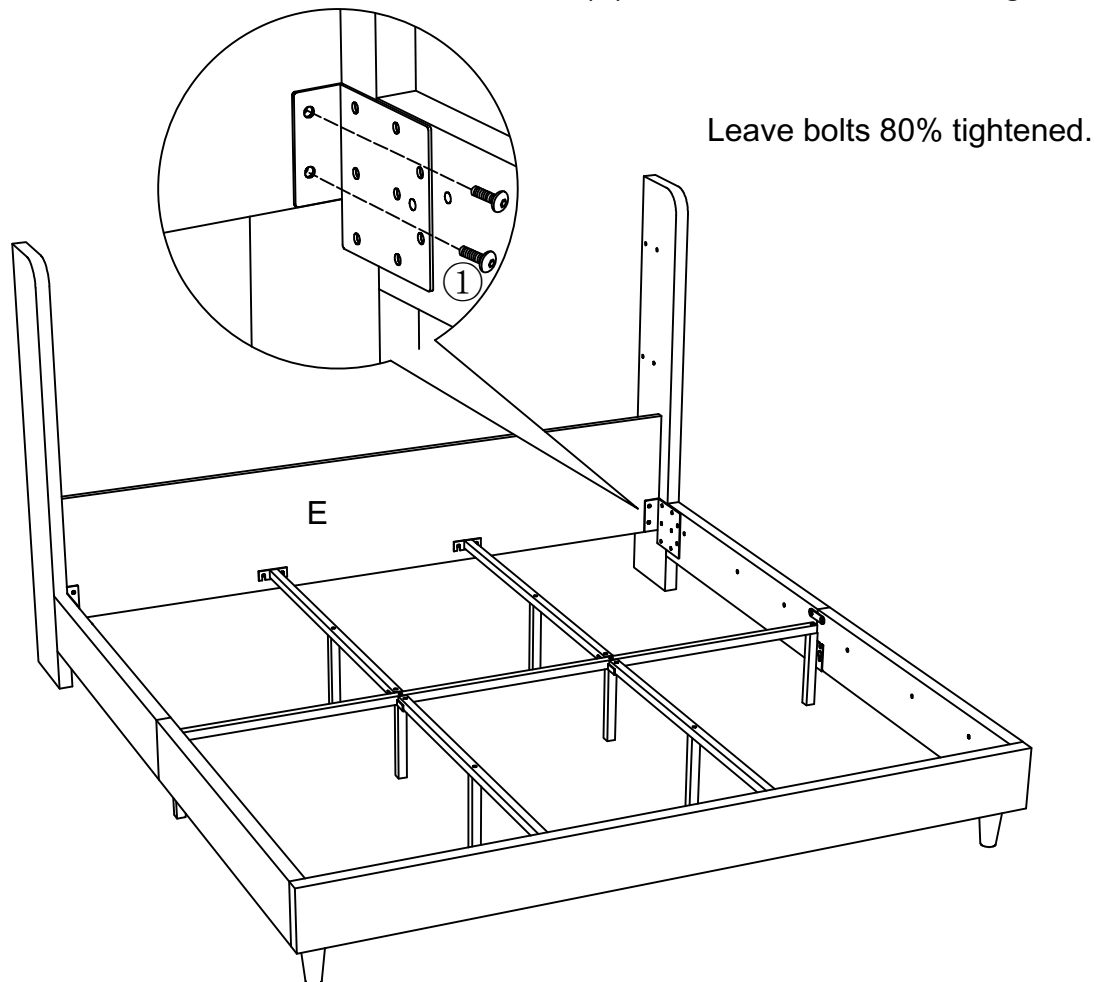
Assemble the Bottom Headboard Panel (E) between the headboard legs.



M6 x 20mm

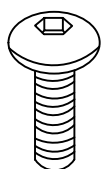
①

4x



17

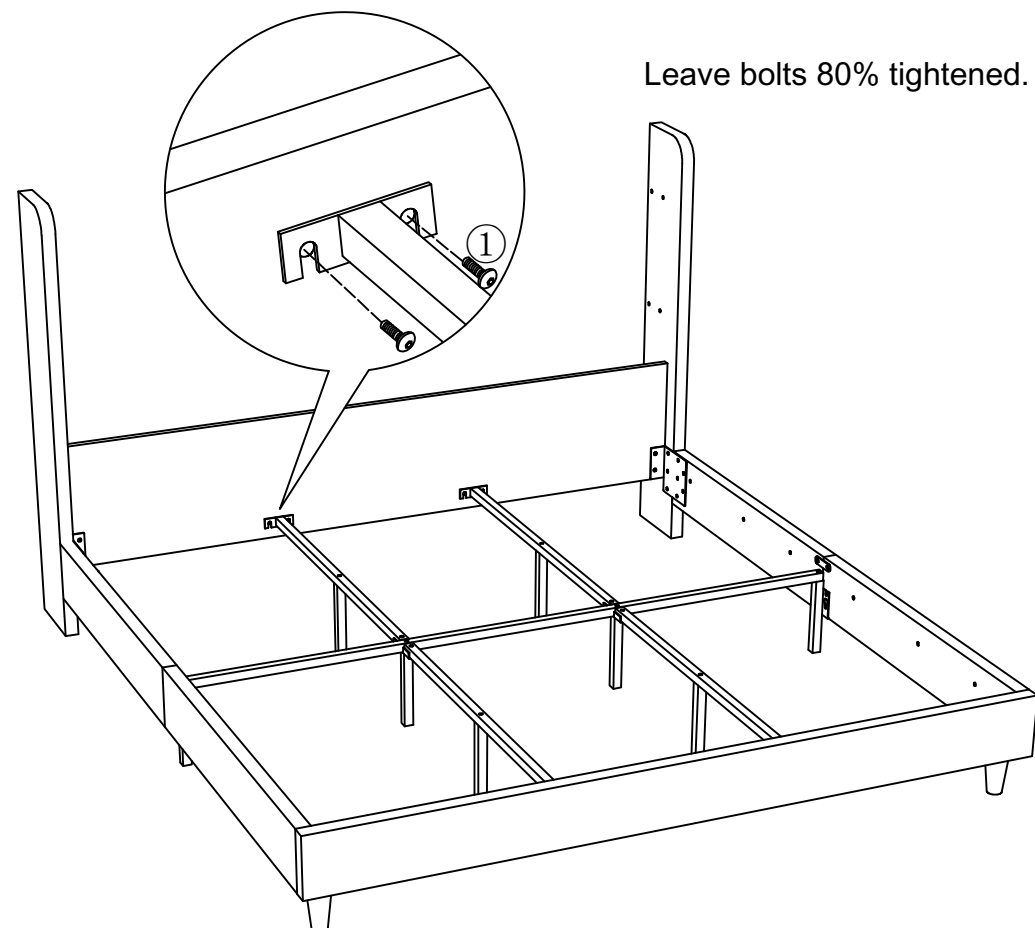
Assemble the support beams (L) to the Bottom Headboard Panel (E).



M6 x 20mm

①

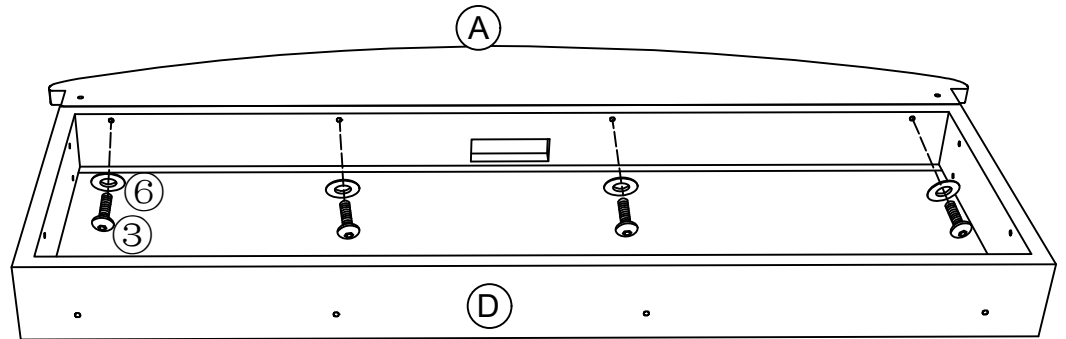
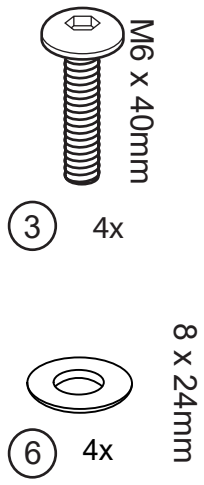
4x



18

Assemble the Top Panel(A) to the headboard (D).

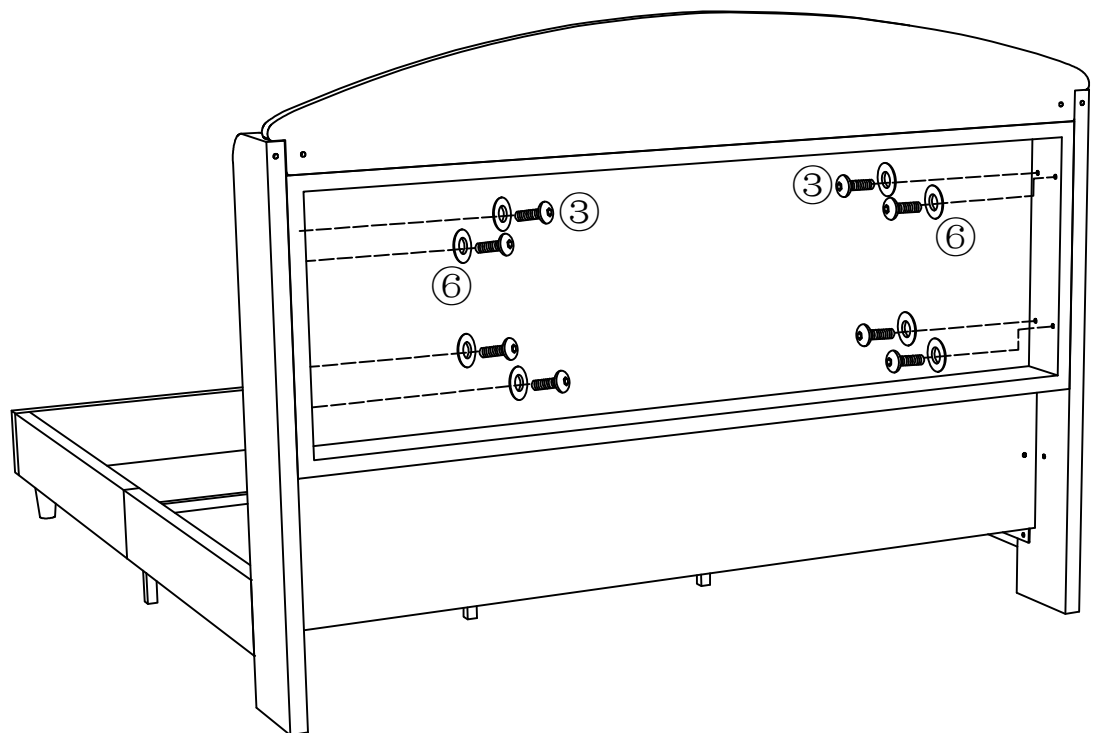
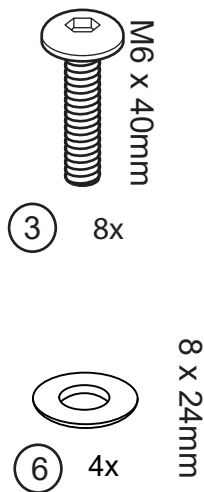
Leave bolts 80% tightened.



19

Assemble the headboard (D) between the headboard legs.

Leave bolts 80% tightened.



20

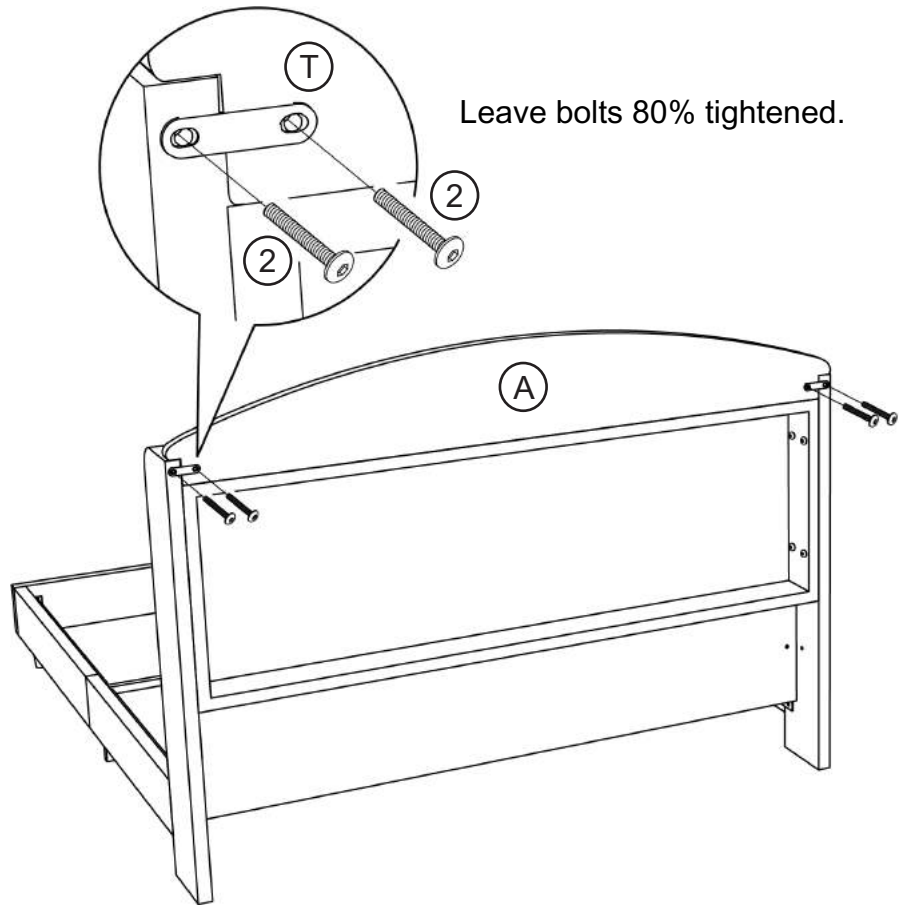
Assemble the top panel (A) between the headboard legs.



Ⓣ 2x



Ⓜ 4x



21

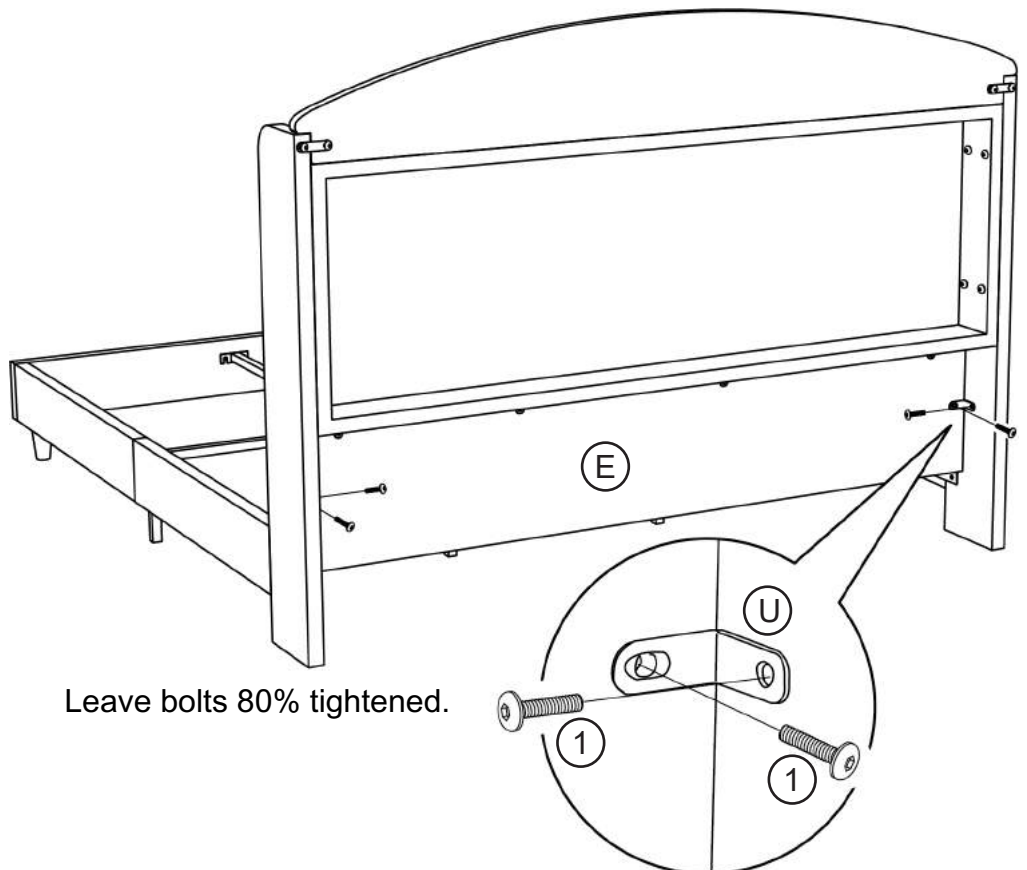
Secure the bottom headboard panel (E) between the headboard legs.



Ⓤ 2x

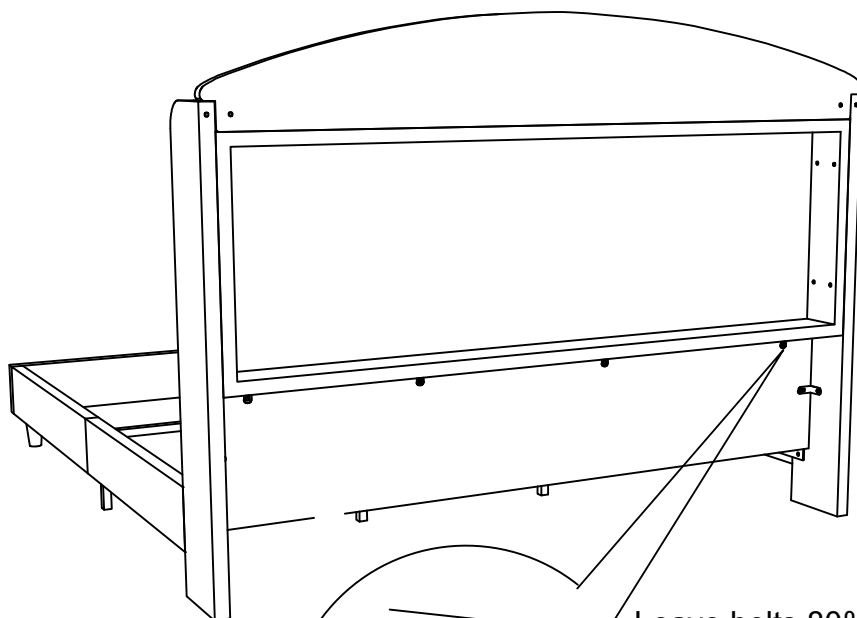


Ⓛ 4x

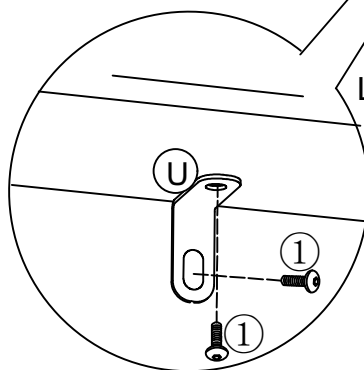


22

Assemble the bottom headboard panel (E) to the headboard (D).

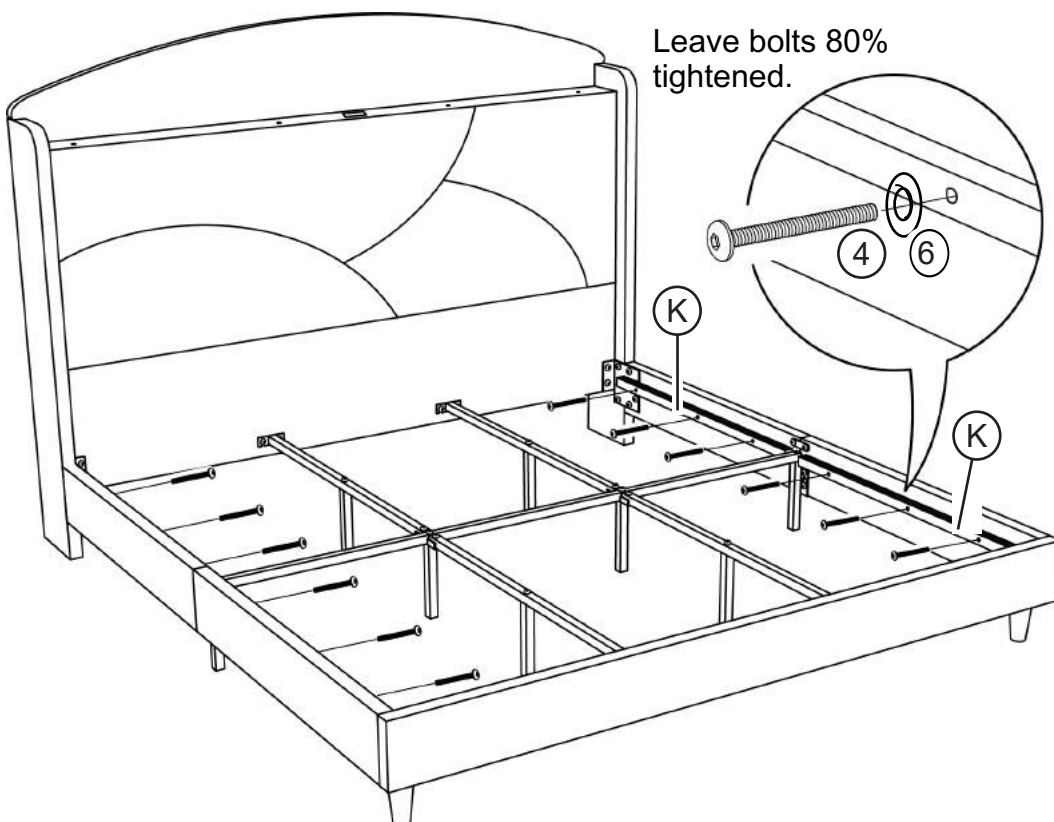
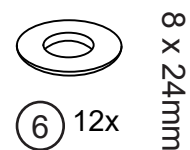
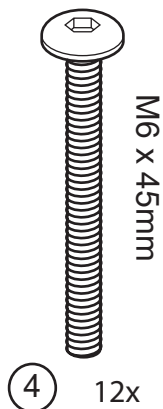


Leave bolts 80% tightened.



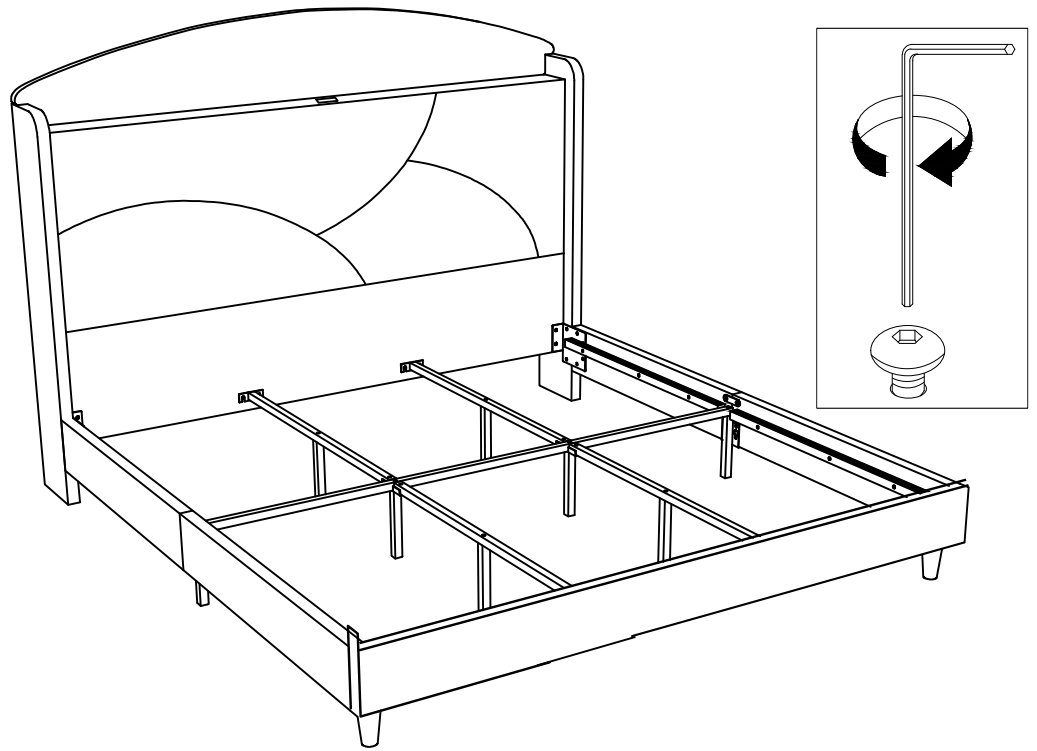
23

Attach side rails (K) to the side panels.



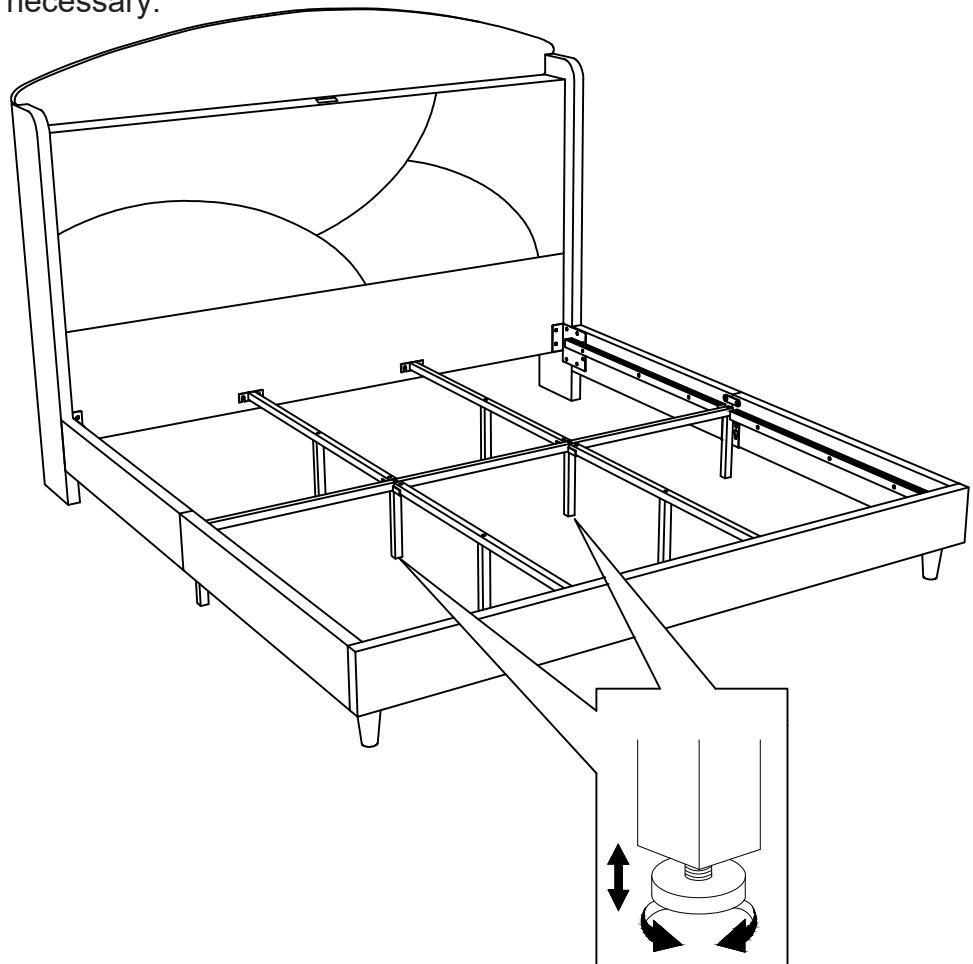
24

Fully tighten all the bolts.



25

Level the bed on the ground, adjust the foot levelers if necessary.

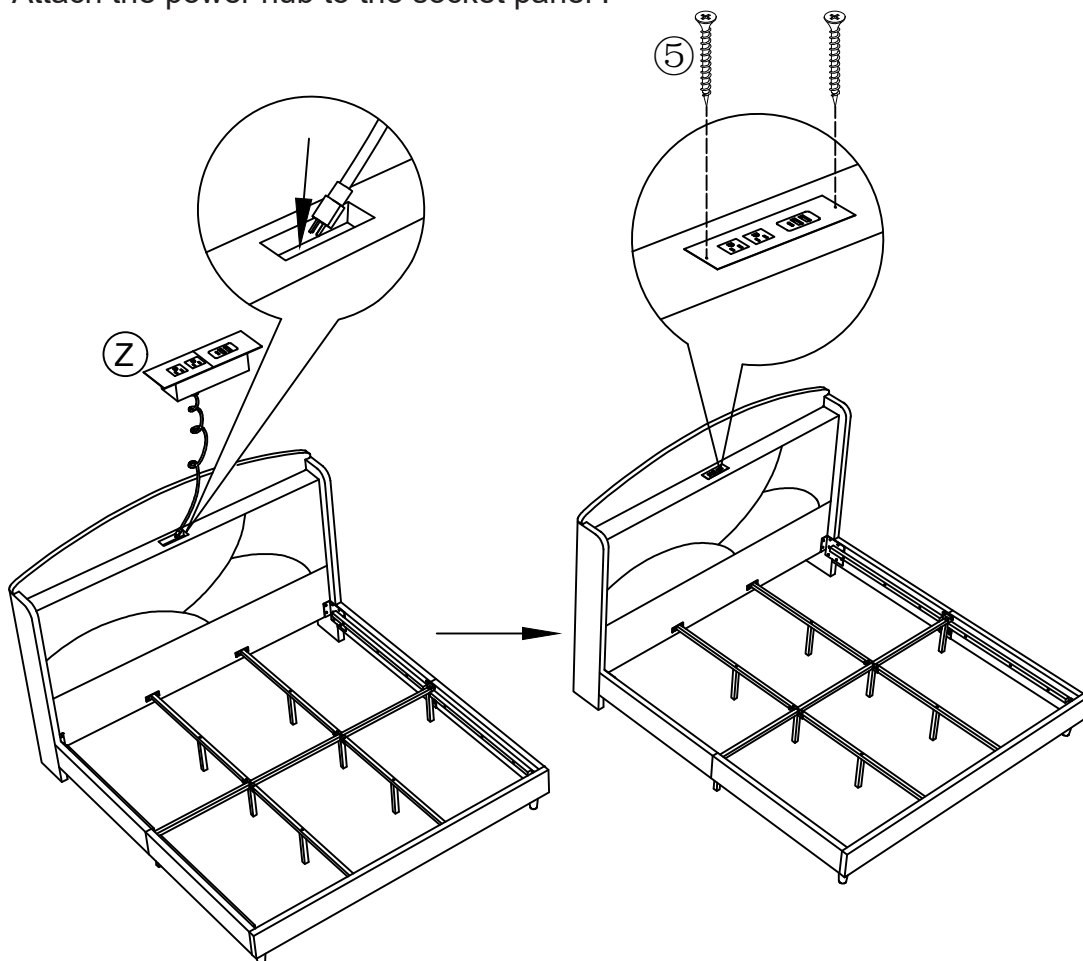


Attach the power hub to the socket panel .

26

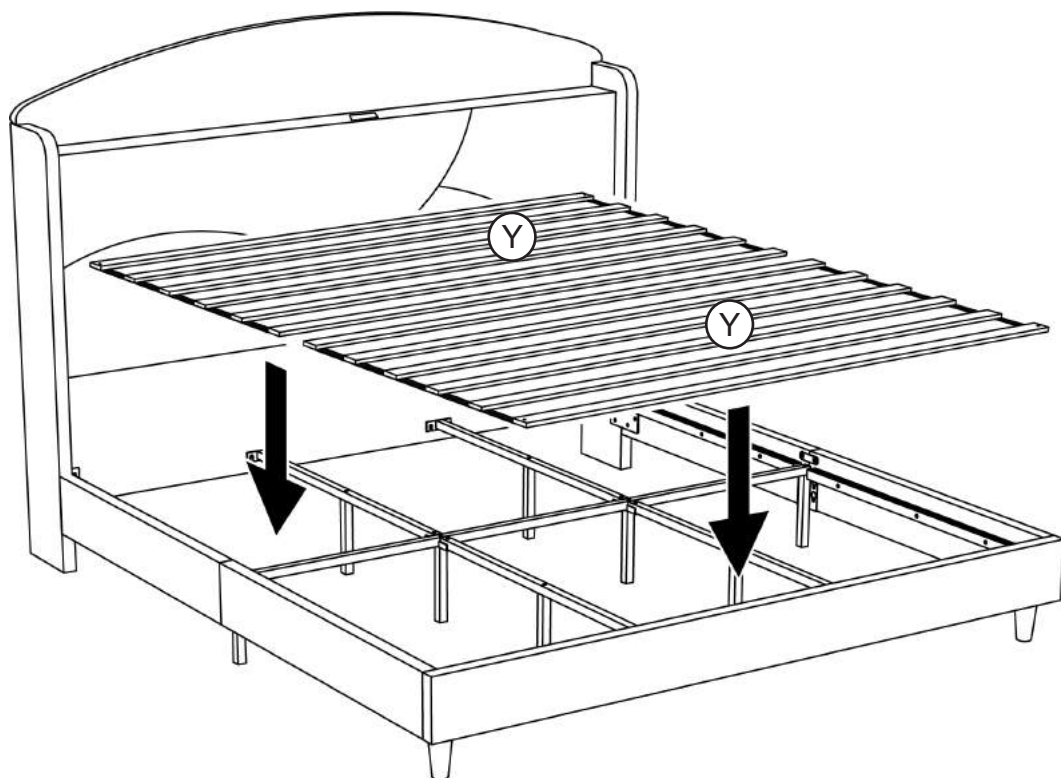
M4 x 20mm
⑤ 2x

② 1x



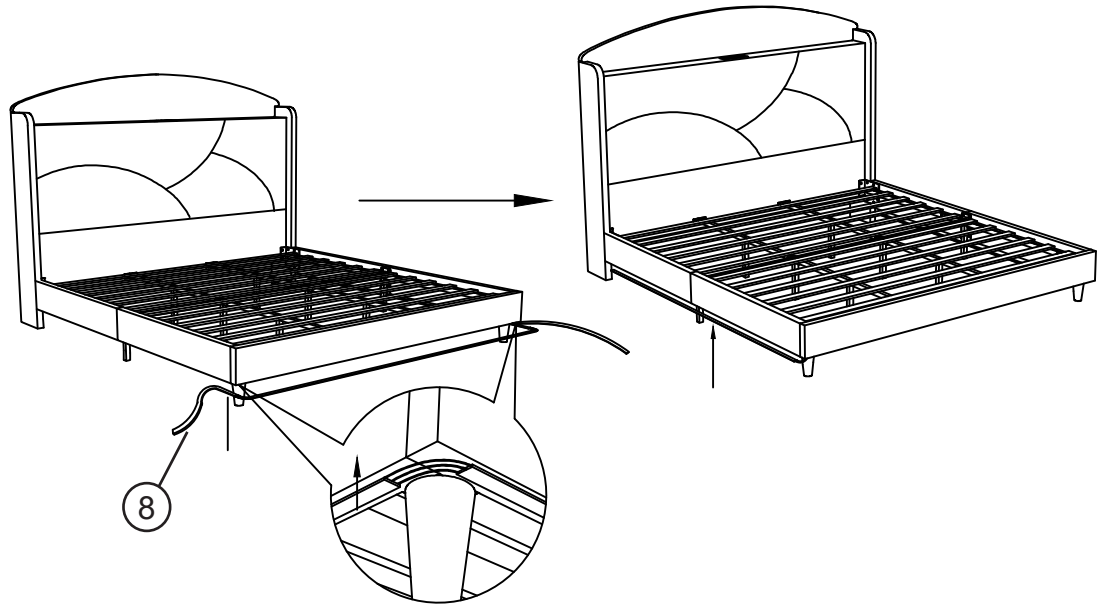
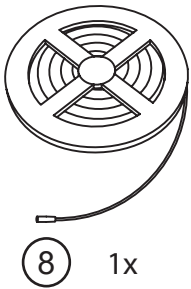
27

Place the slats (Y) on top of the side rails.



28

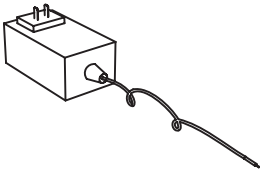
Attach the LED light strip under the bed frame.



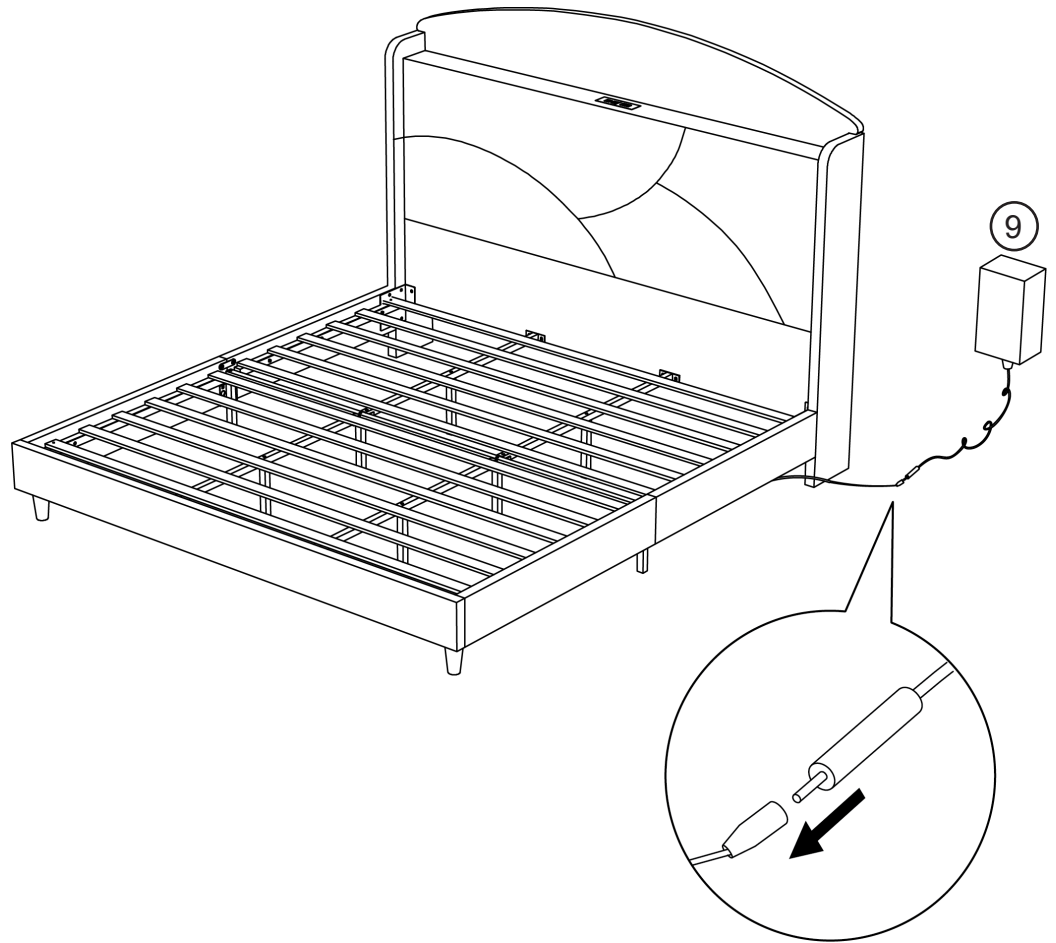
First attach the LED at the end of the bed, and then attach it to both sides of the bed. The interface connecting the adapter should be pre-placed on the side with the socket.

29

Connect the LED light strip to the power cable and then plug the power cable to a wall outlet.



9 1x



YOU'RE FINISHED!

FURNITURE CARE AND MAINTENANCE

Thank you for your purchase. We want your item to last as long as possible. To ensure the product gives you years of longevity, please follow the recommendations in this care and maintenance guide.



MAINTENANCE

- Tighten all bolts and screws again within the first 2 weeks of assembly.
- Check the tightness of all bolts every 2 months and tighten them if necessary.



CLEANING

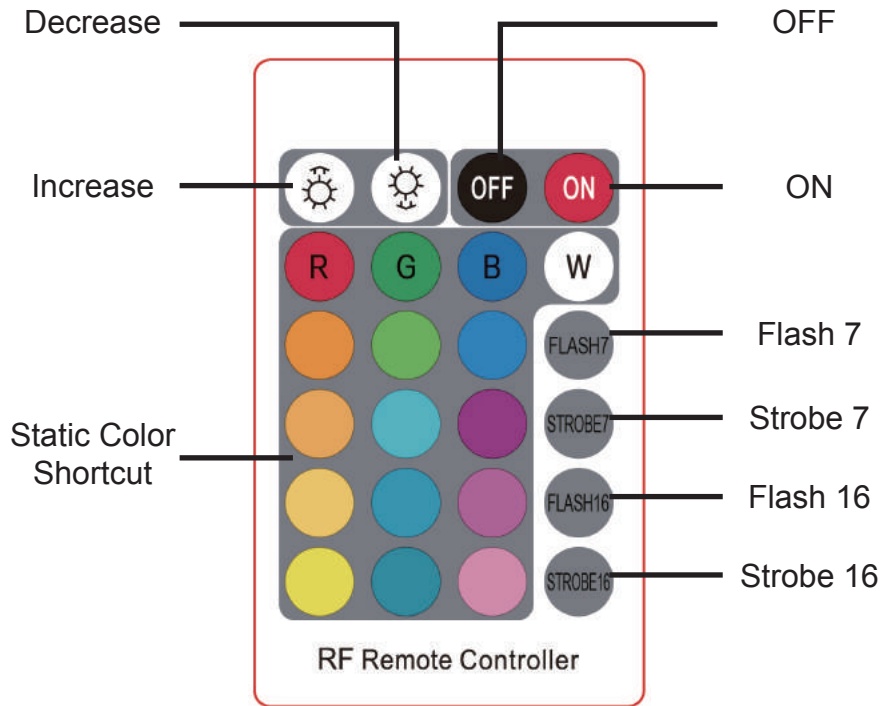
- Clean the furniture surface with a lightly dampened cloth or soft brush.
- Regularly clean the cloth surface with a vacuum cleaner.
- Dry the surface immediately after cleaning.

⚠ DO NOT use bleach or alcohol to clean the surface.

⚠ WARNING

The manufacturer and seller are not responsible for any and all liability relating to personal injury, property damage or losses, whether direct, indirect, or incidental, resulting from the incorrect attachment, improper use, inadequate maintenance, unapproved modification or neglect of this product.

USER INSTRUCTION (REMOTE CONTROL)



ON

Press the ON button to turn on the light.

OFF

Press the OFF button to turn off the light.

Static Color Shortcut

Each button is assign to a color, press the button to select your desire color.

Increase

Press the increase button to increase brightness in static color mode.
Press the increase button to increase effect speed in light effect mode.

Decrease

Press the increase button to decrease brightness in static color mode.
Press the increase button to decrease effect speed in light effect mode.

Flash 7

Press the button to enable spectrun cycle mode.
The colors will cycle between red, green blue, orange, cyan, violet, and white.

Strobe 7

Press the button to enable color breathing mode.
The colors will cycle between red, green blue, orange, cyan, violet, and white.

Flash 16

Press the button to enable spectrun cycle mode.
The colors will cycle between all 16 colors.

Strobe 16

Press the button to enable color breathing mode.
The colors will cycle between all 16 colors.

USER INSTRUCTION (LED LIGHT REMOTE CONTROL)

Technical Parameters:

Working temperature: -20°C - 60°C / -4°F - 140°F

Power Supply Voltage: DC5 - 24v

Output: 3 Loops

Remote Control Distance: 8m - 15m

CAUTION / WARNING

Dispose old / used battery at a suitable recycling point or according to local regulations.
DO NOT ingest battery. If accidentally swallowed, seek medical help immediately.

WARRANTY

Products come with a 1-year warranty from the date of delivery. **Register your product on our website to enjoy our limited lifetime warranty!**

AFTER-SALE SERVICE



Encounter any difficulties or missing parts?



Contact us



We will send you replacement.



Hassle free!
No need to worry about repackaging and sending your item back.