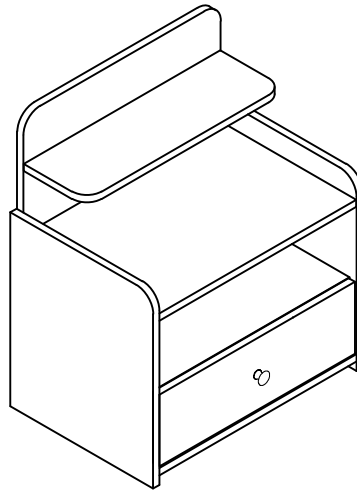


# Assembly Instructions

---



Thank you for your purchase.

Please follow the instructions below for correct assembly.

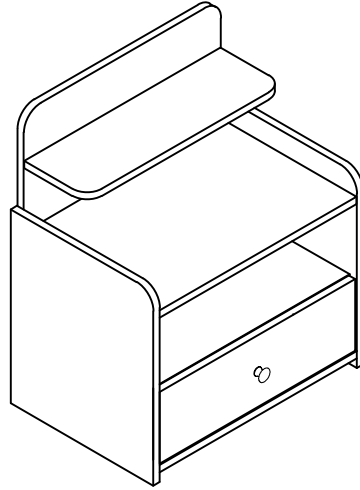
▲ For higher efficiency, we recommend to use a power drill; the power drill should be set on the low speed to avoid screw stripping.

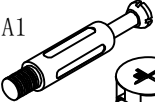



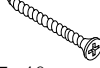



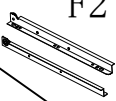
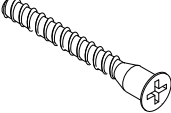
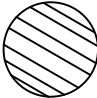
## CAUTION

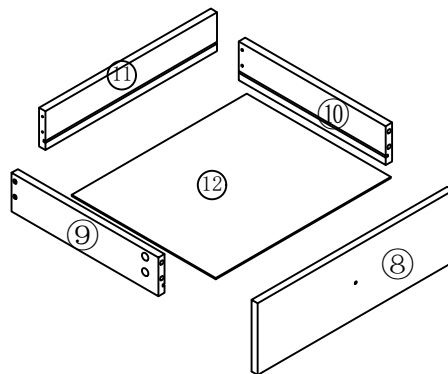
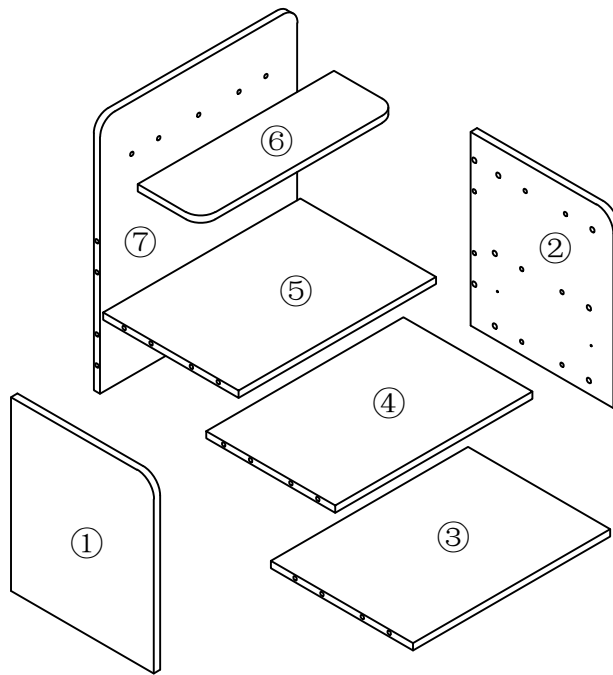
This package contains small parts and hardware; keep it from children to avoid accidental swallowing.



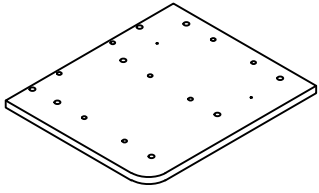
**WARNING:** Any furniture that is not anchored to a wall has the risk of tipping over in certain circumstances, i.e. when a child attempts to climb up on the furniture or in the event of an earthquake. Accordingly, we recommend that all furniture is anchored to a wall. We supply a free safety wall anchor with all furniture sold and we recommend these are used to prevent your product from tipping over. See our blog here or more info on using wall anchors.



 	 $\Phi 8*30$	 $\Phi 3.5*14$	 $\Phi 3.5*40$	  $\Phi 4*18$
$A \times 20$	$B \times 18$	$C \times 8$	$D \times 4$	$E \times 1$
 	 $\Phi 7*50$			
$F \times 1$	$G \times 3$	$H \times 19$		

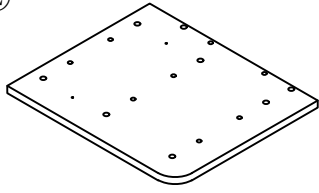


①



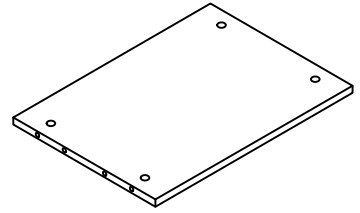
1 PC

②



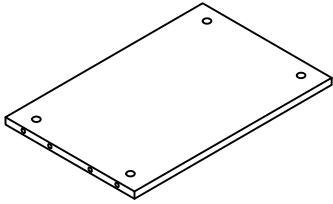
1 PC

③



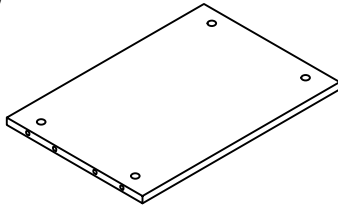
1 PC

④



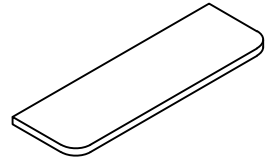
1 PC

⑤



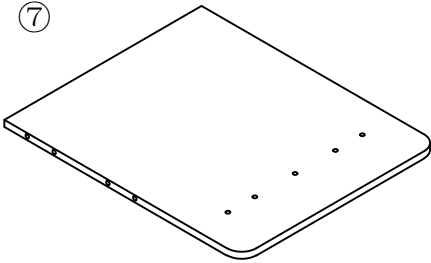
1 PC

⑥



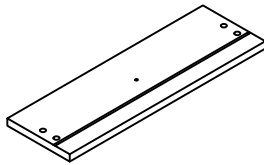
1 PC

⑦



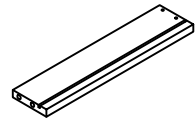
1 PC

⑧



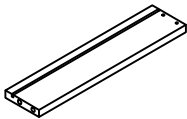
1 PC

⑨



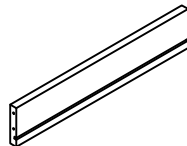
1 PC

⑩



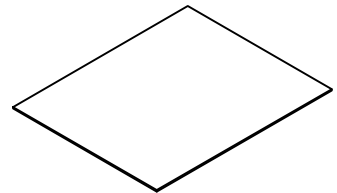
1 PC

⑪



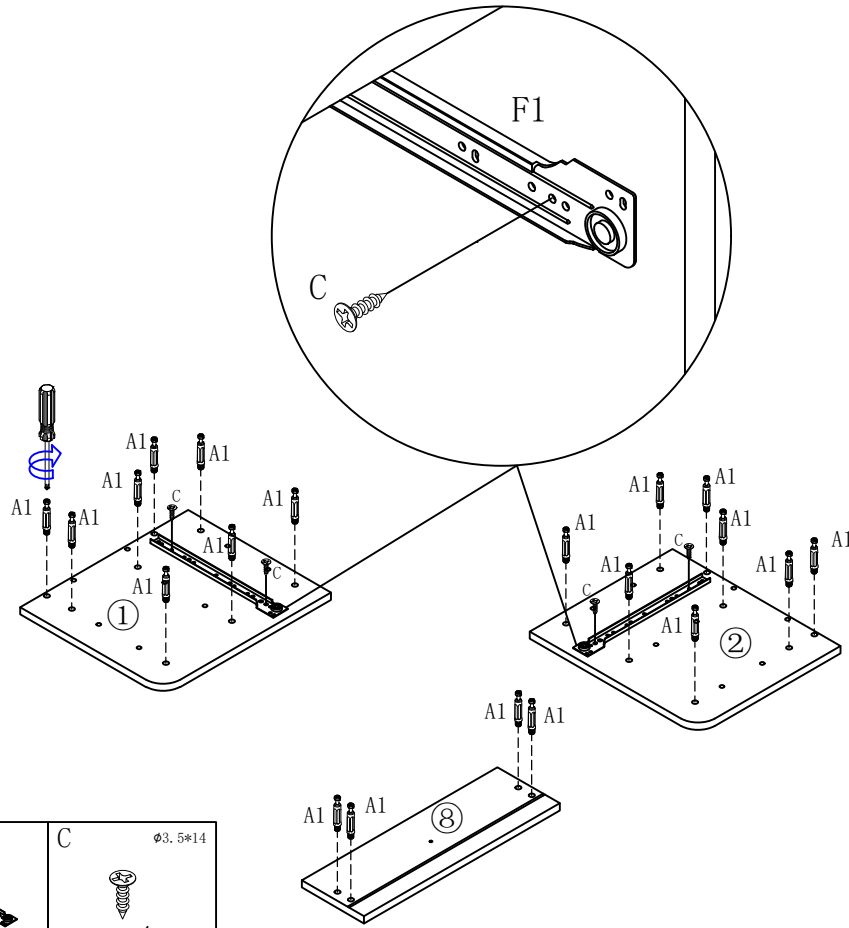
1 PC




⑫



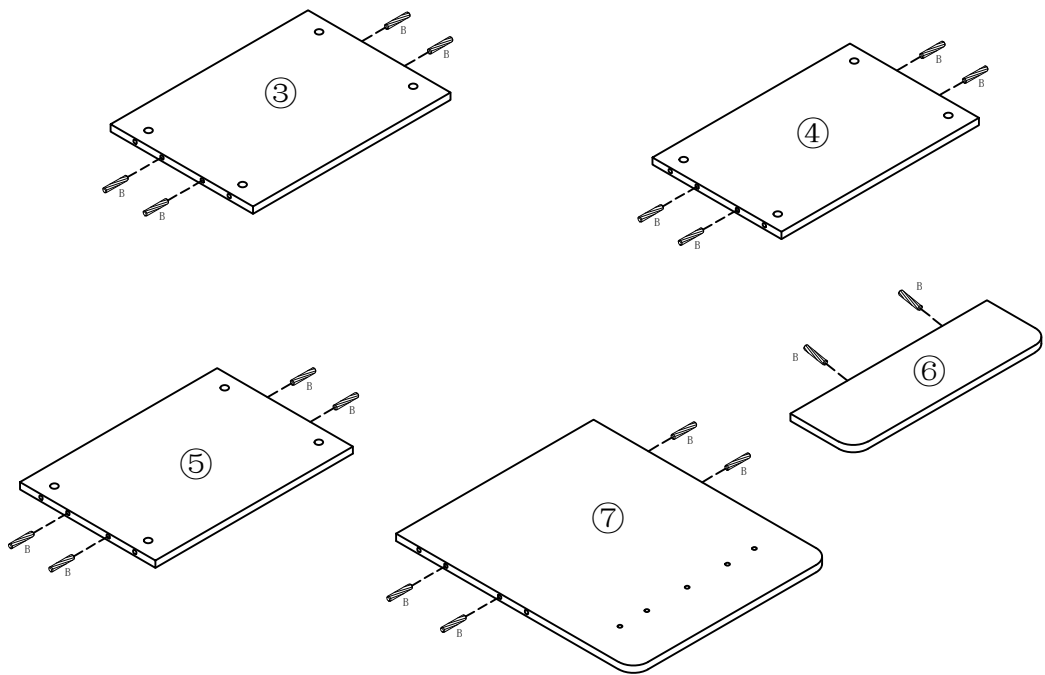
1 PC

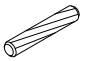
# 1



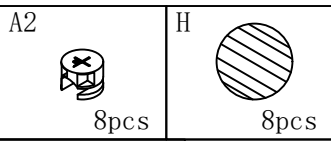
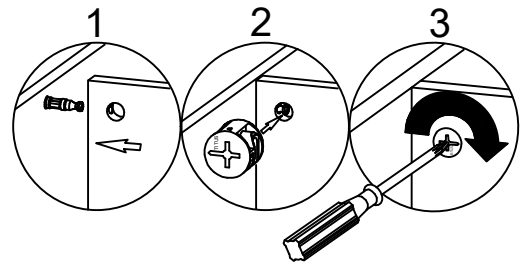
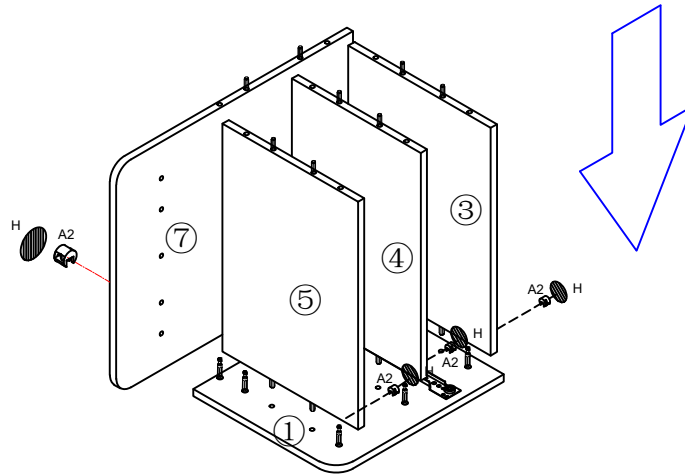
A1	F1	C $\phi 3.5 \times 14$
		
20pcs	2pcs	4pcs

# 2

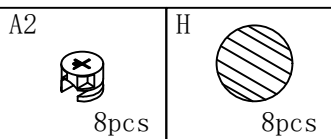
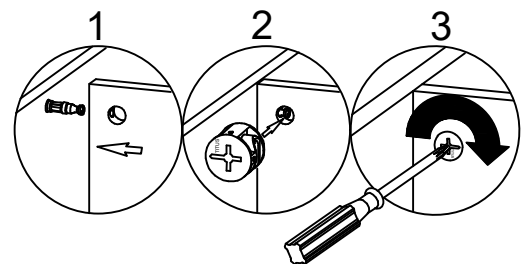
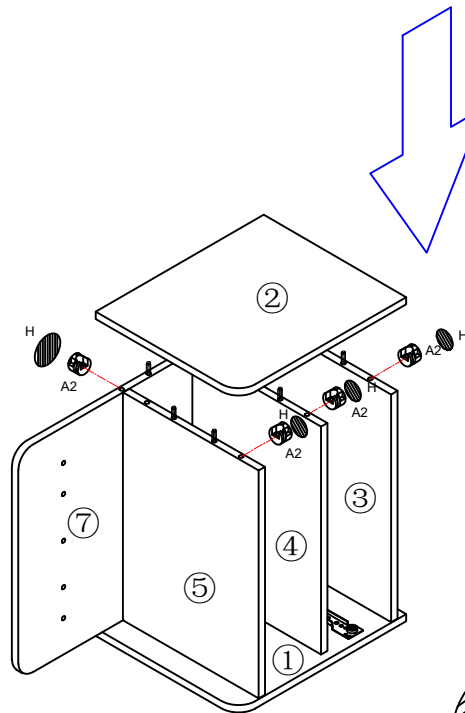


B $\phi 8 \times 30$

18pcs

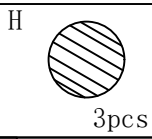
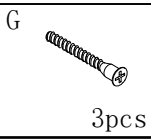
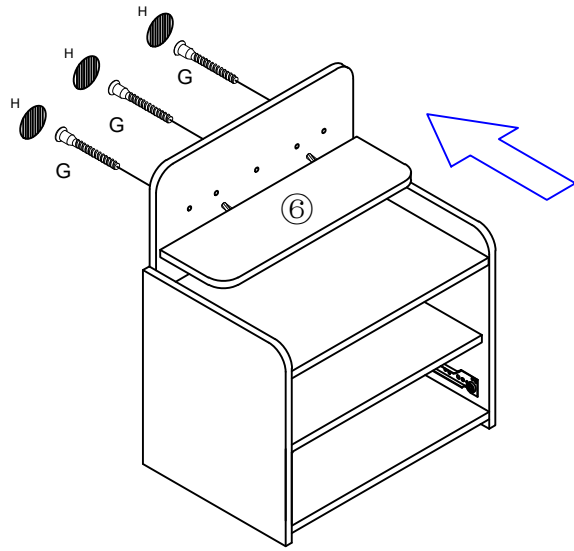
# 3



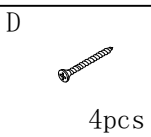
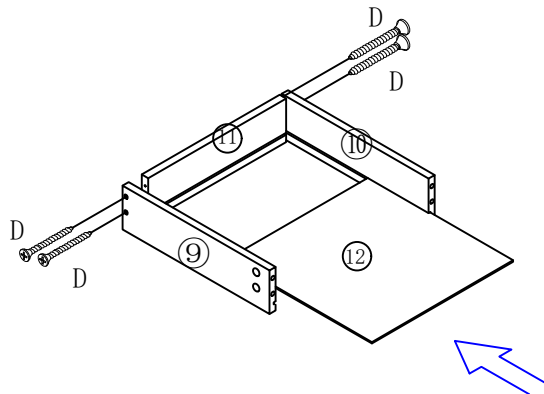
# 4



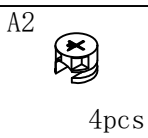
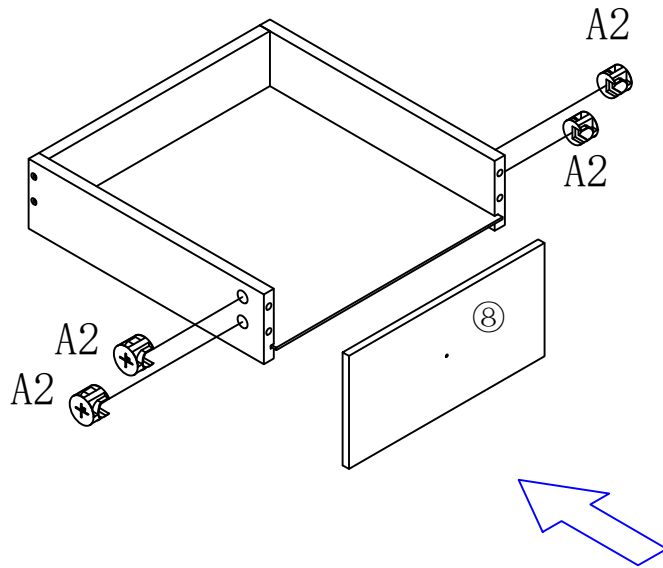
5



6

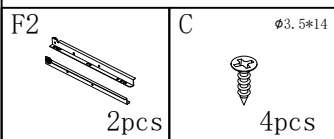
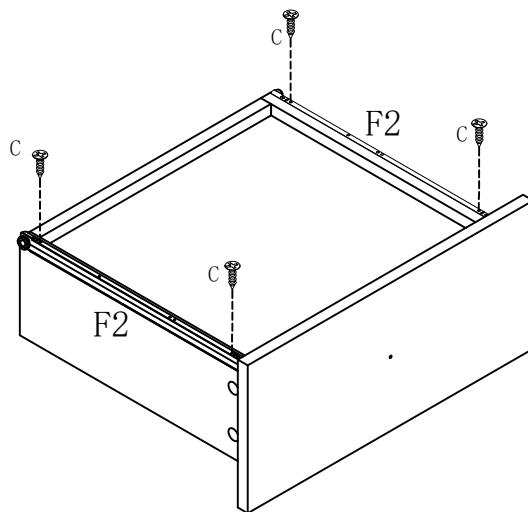


7

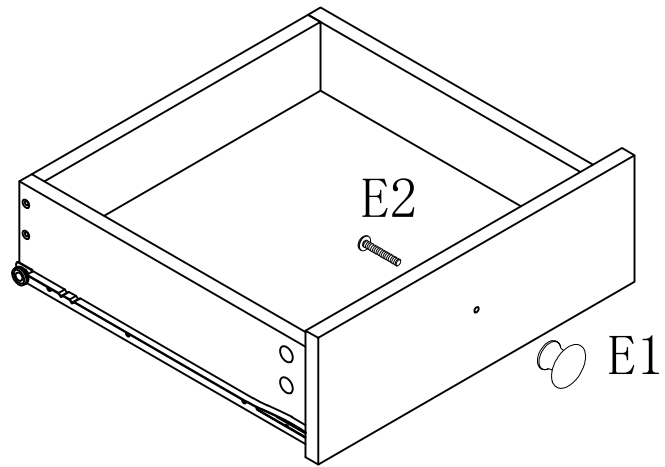




8

The installation of rail F2: rollers facing outward.



9



E1  1pc	E2  1pc
--	--

10

