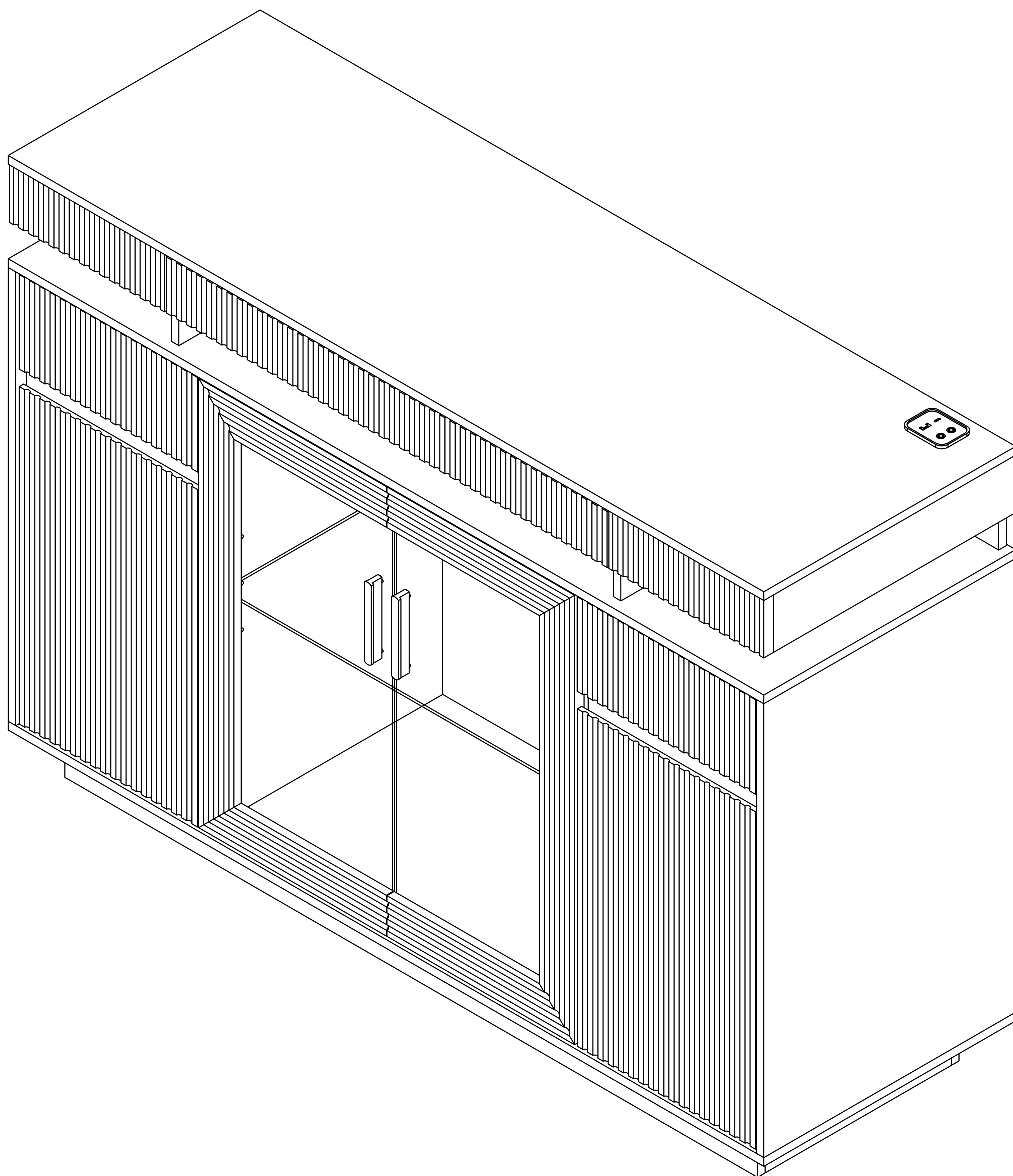
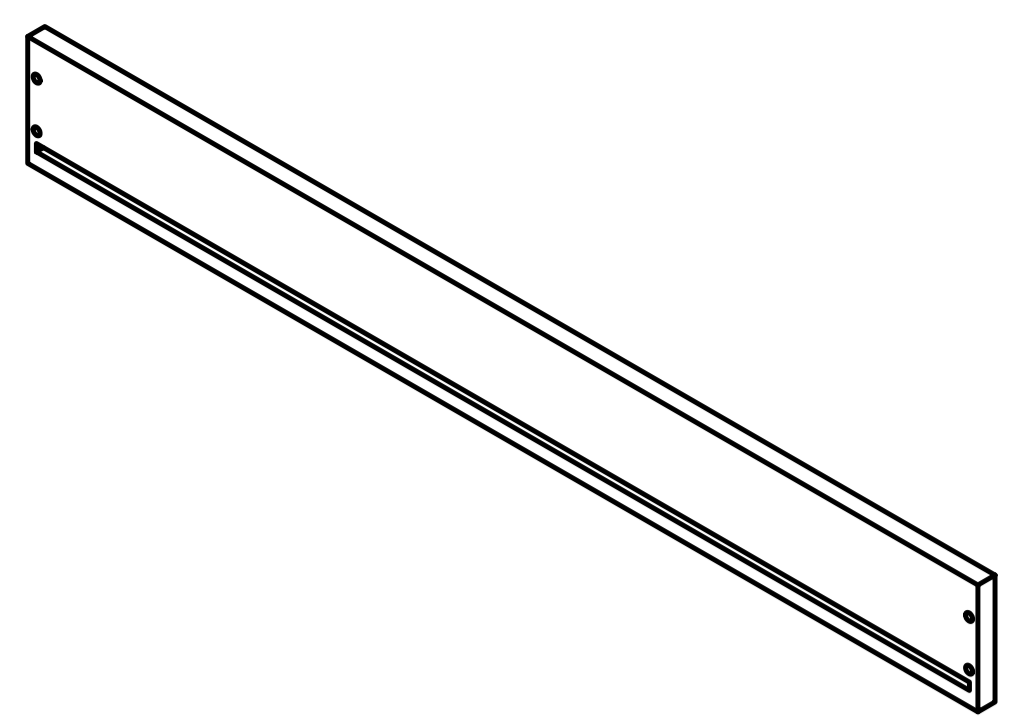
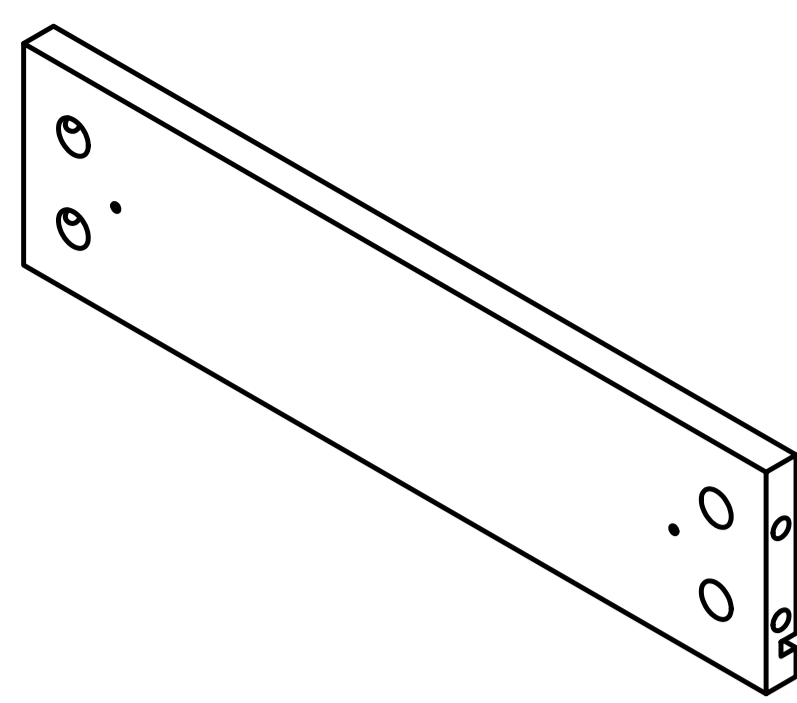


Product Installation Instructions

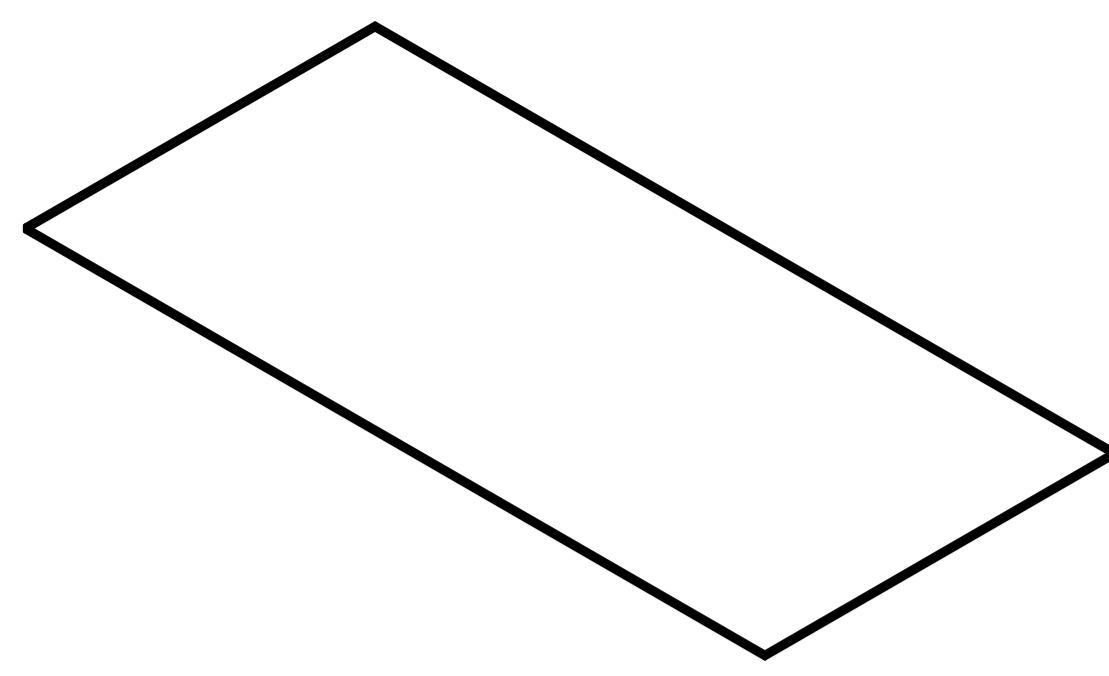




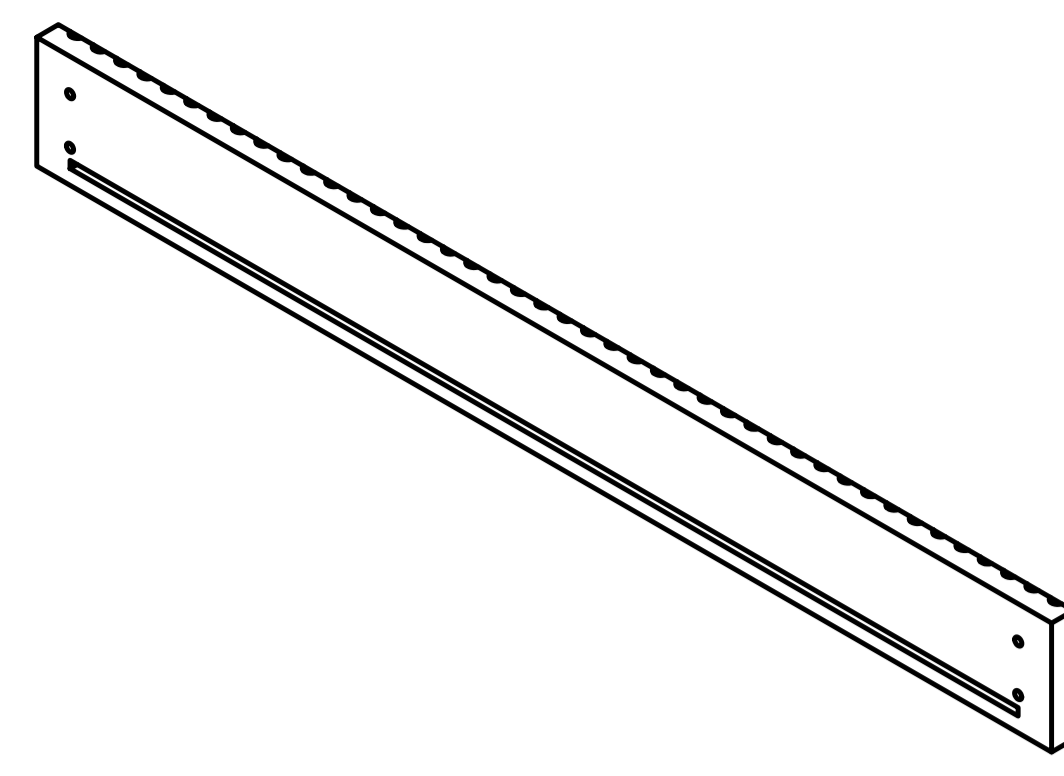
1 x1



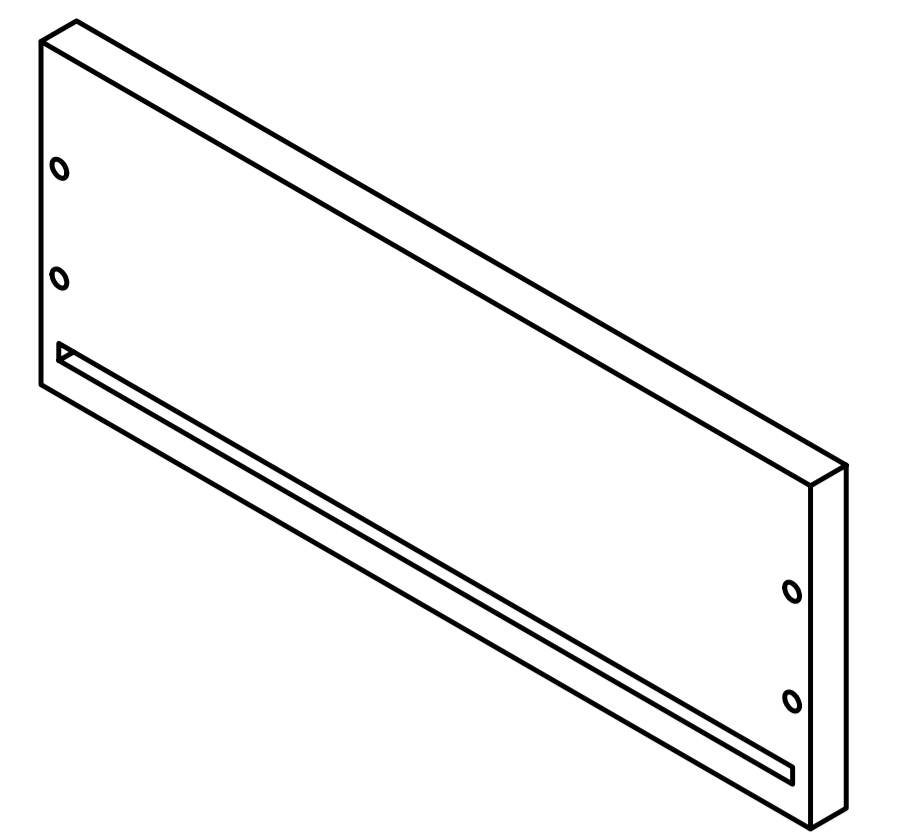
2 x2



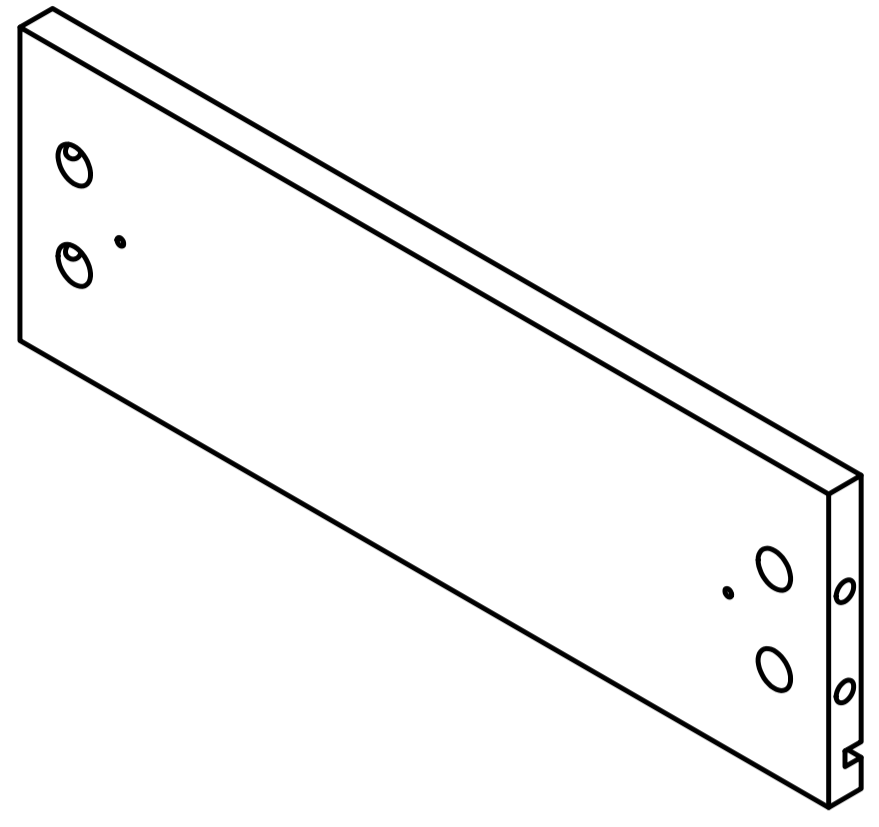
3 x1



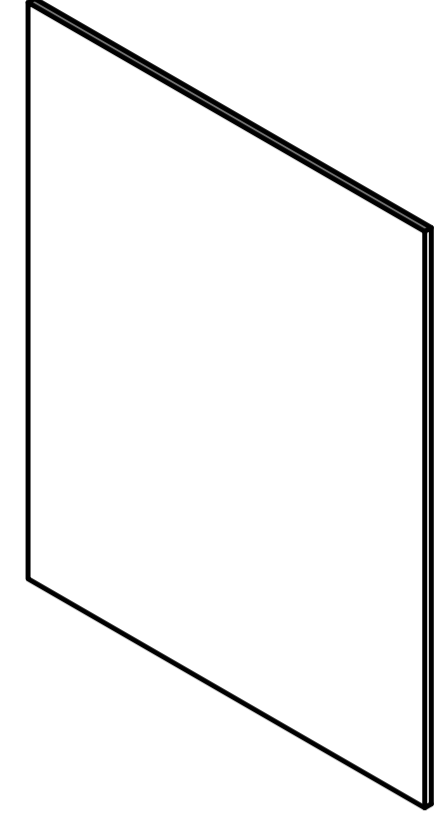
4 x1



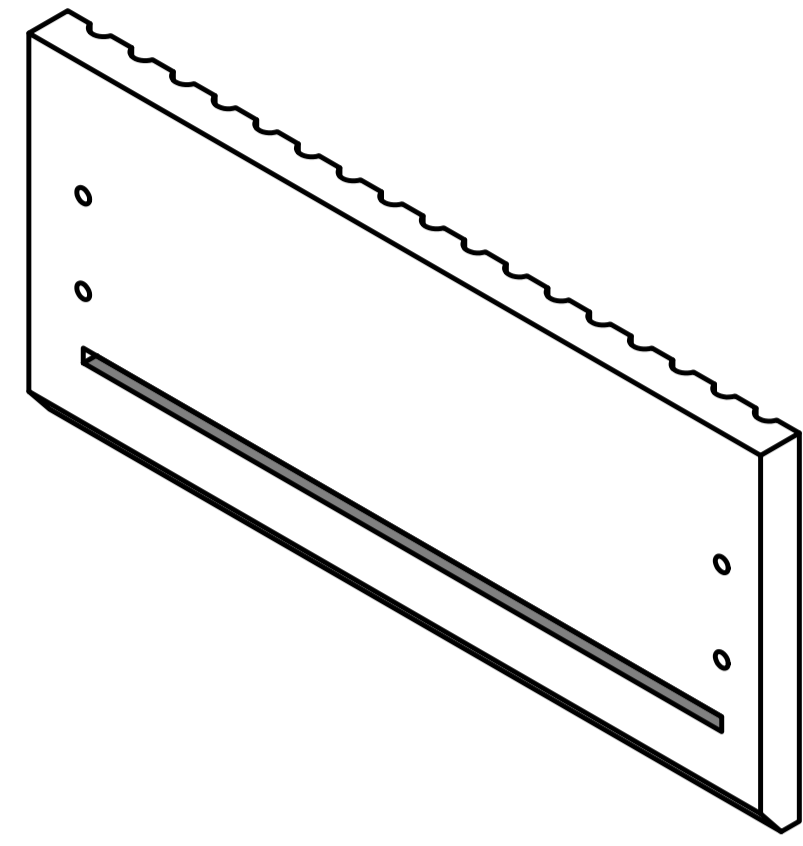
5 x2



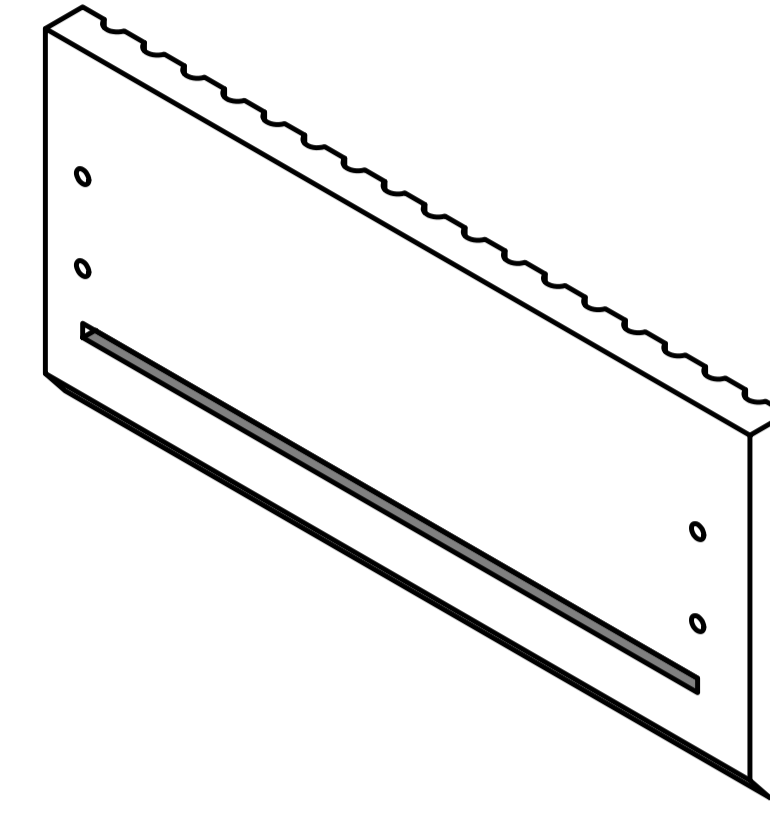
6 x4



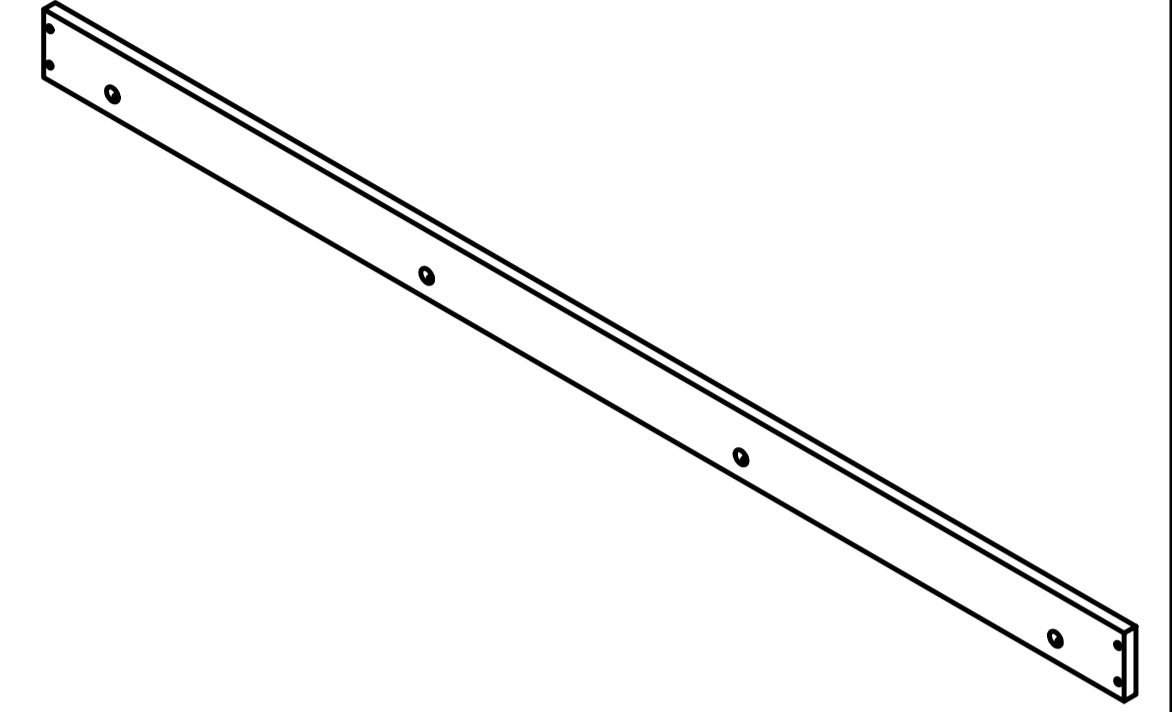
7 x2



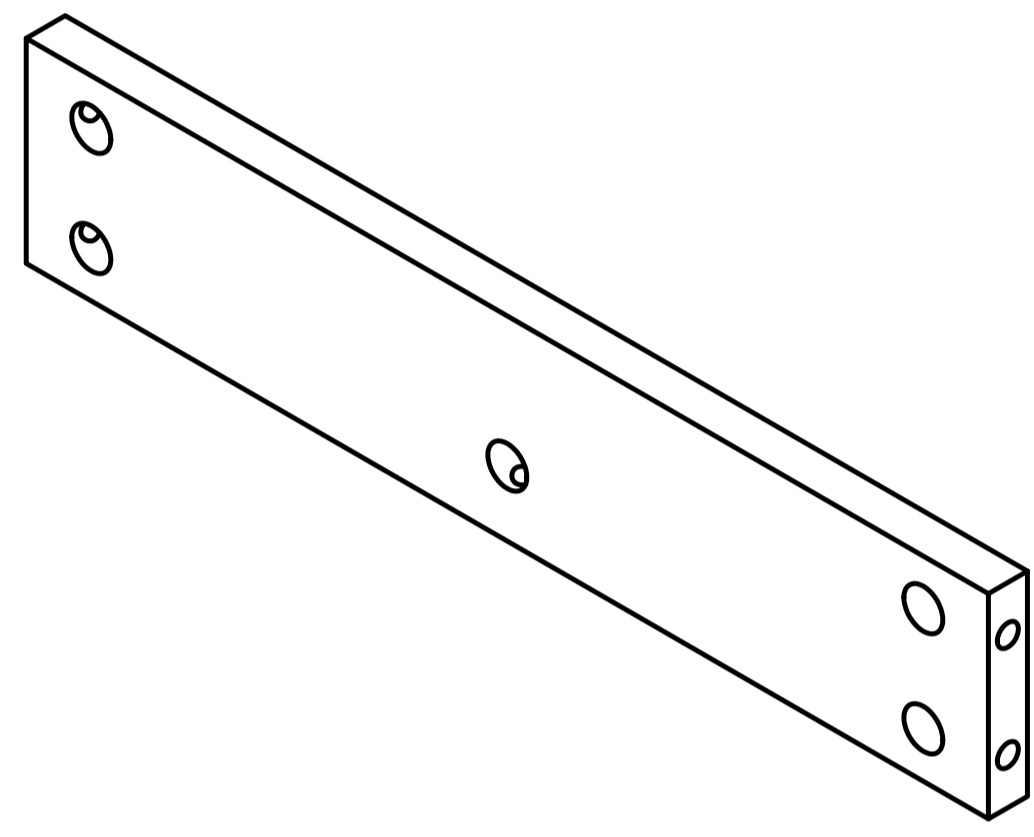
8 x1



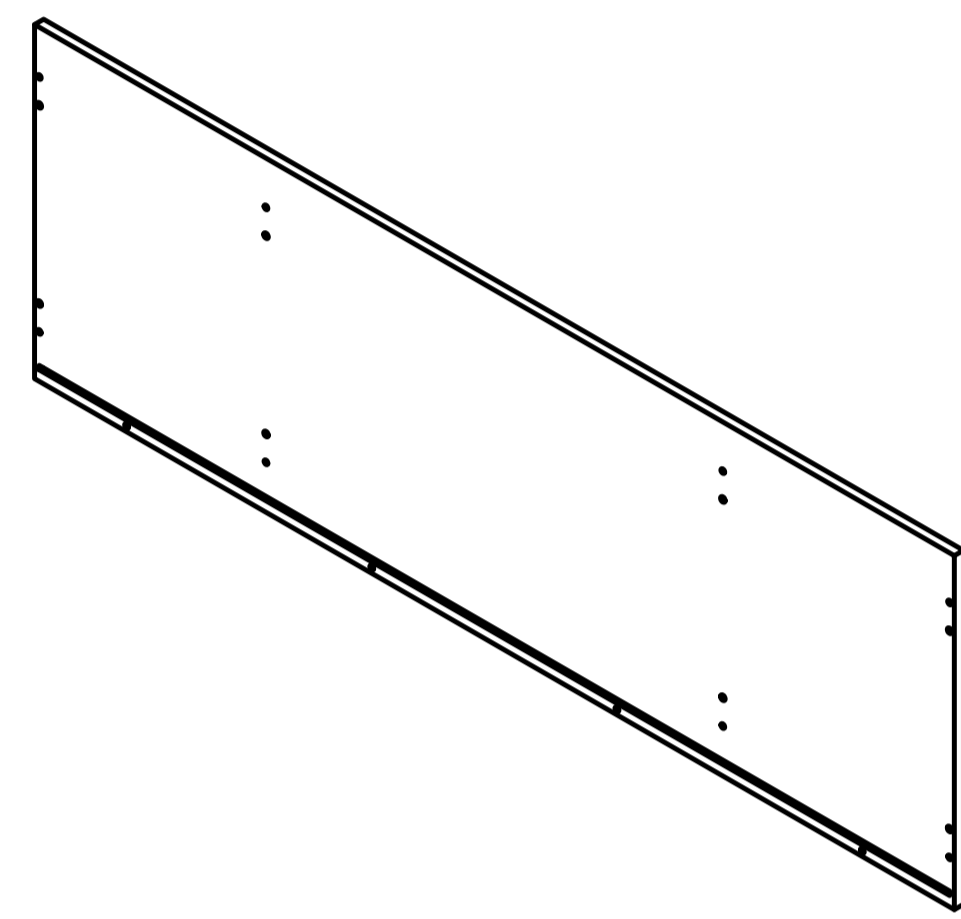
9 x1



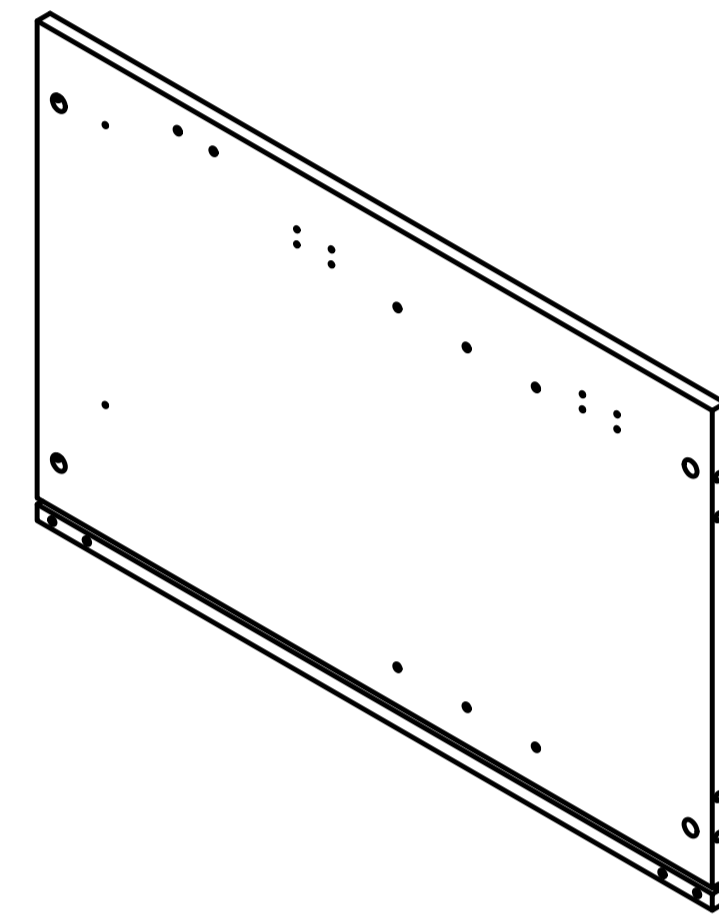
10 x2



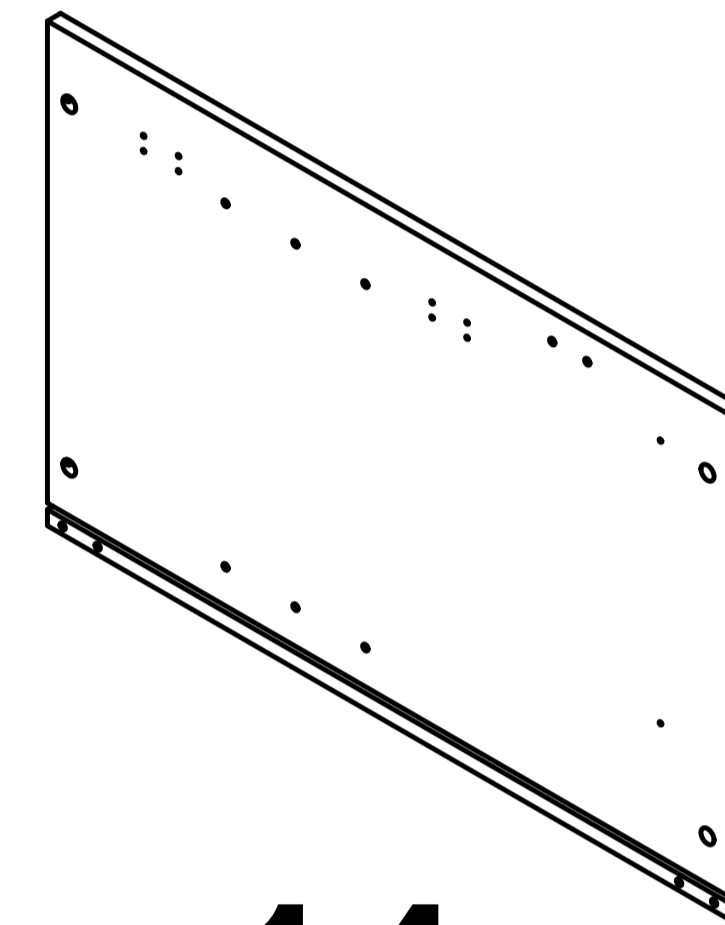
11 x2



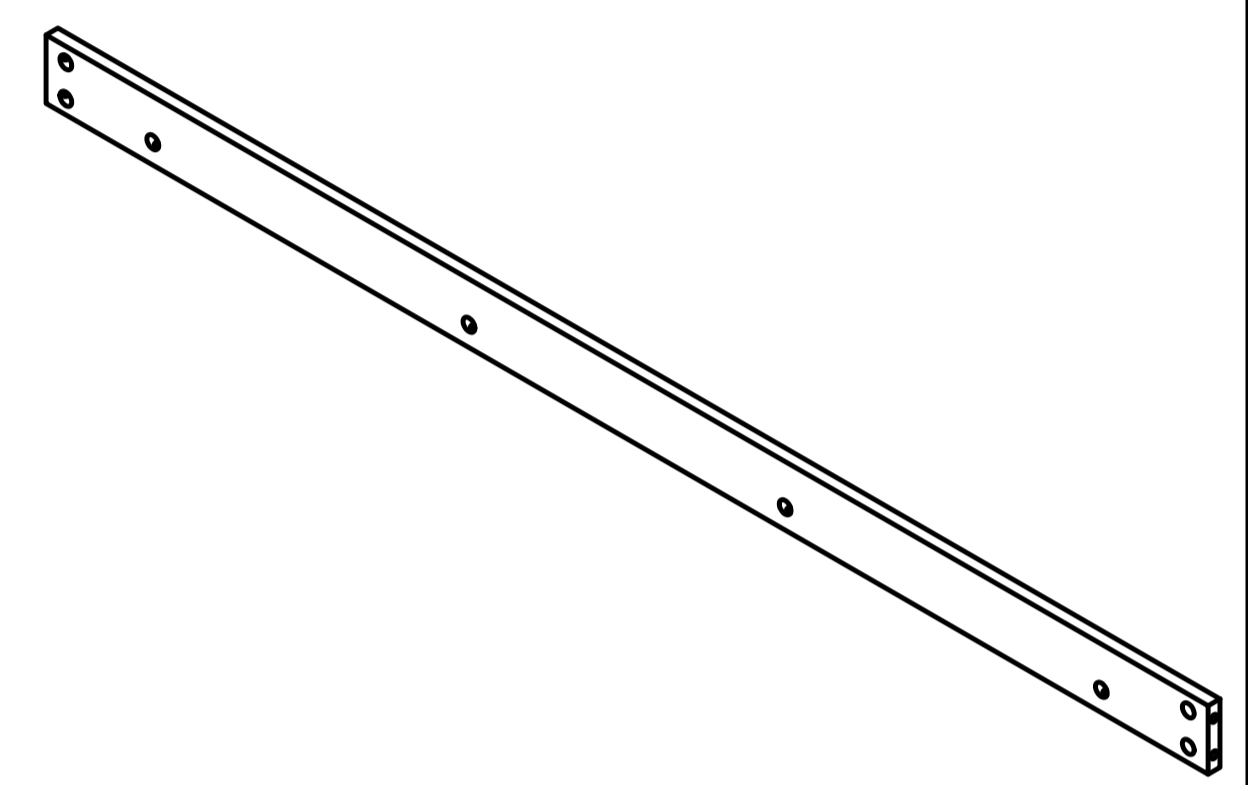
12 x1



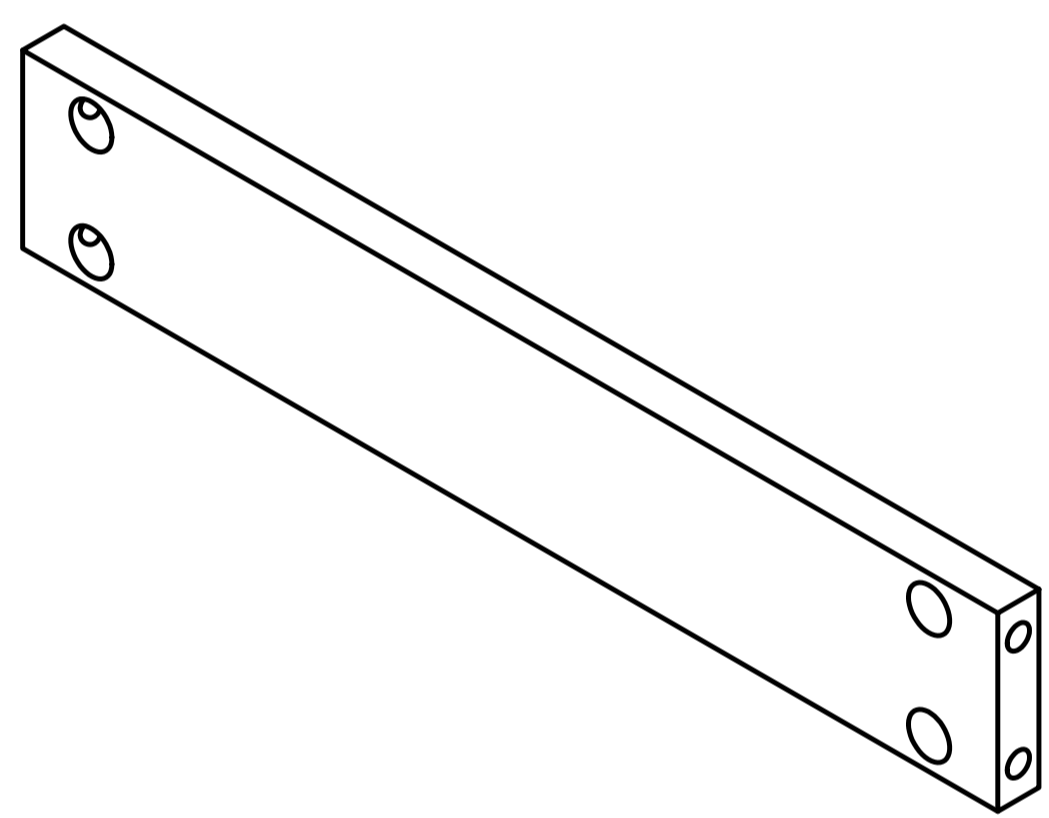
13 x1



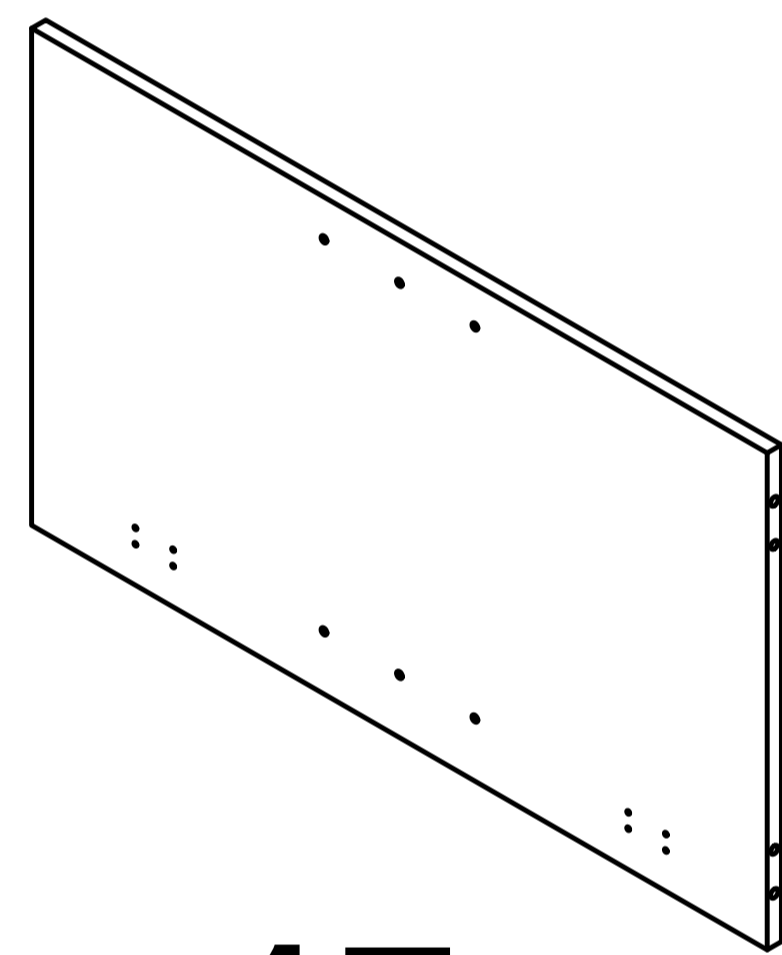
14 x1



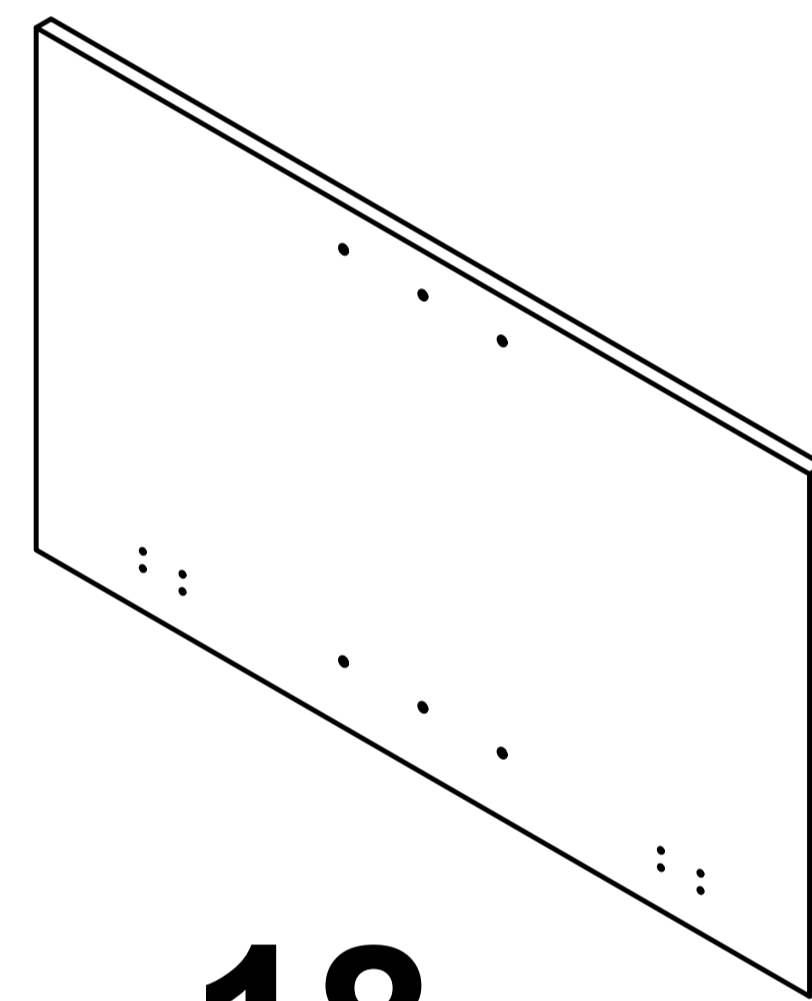
15 x2



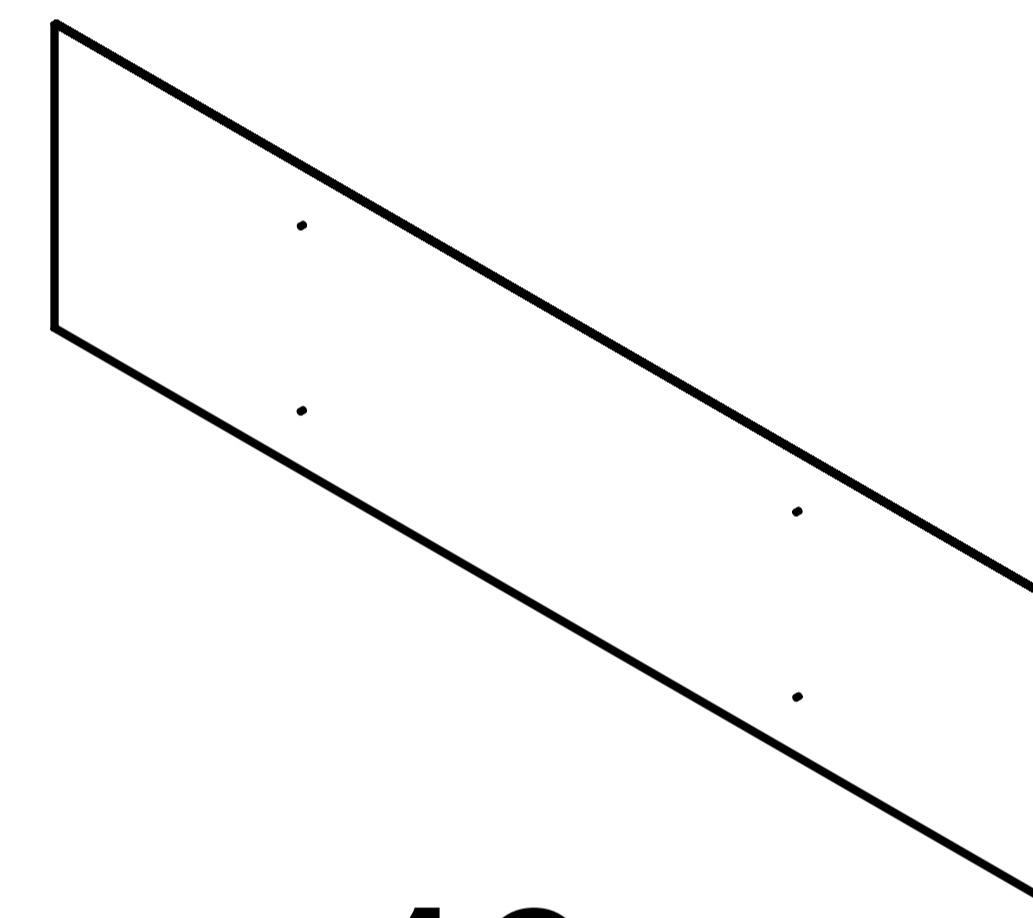
16 x2



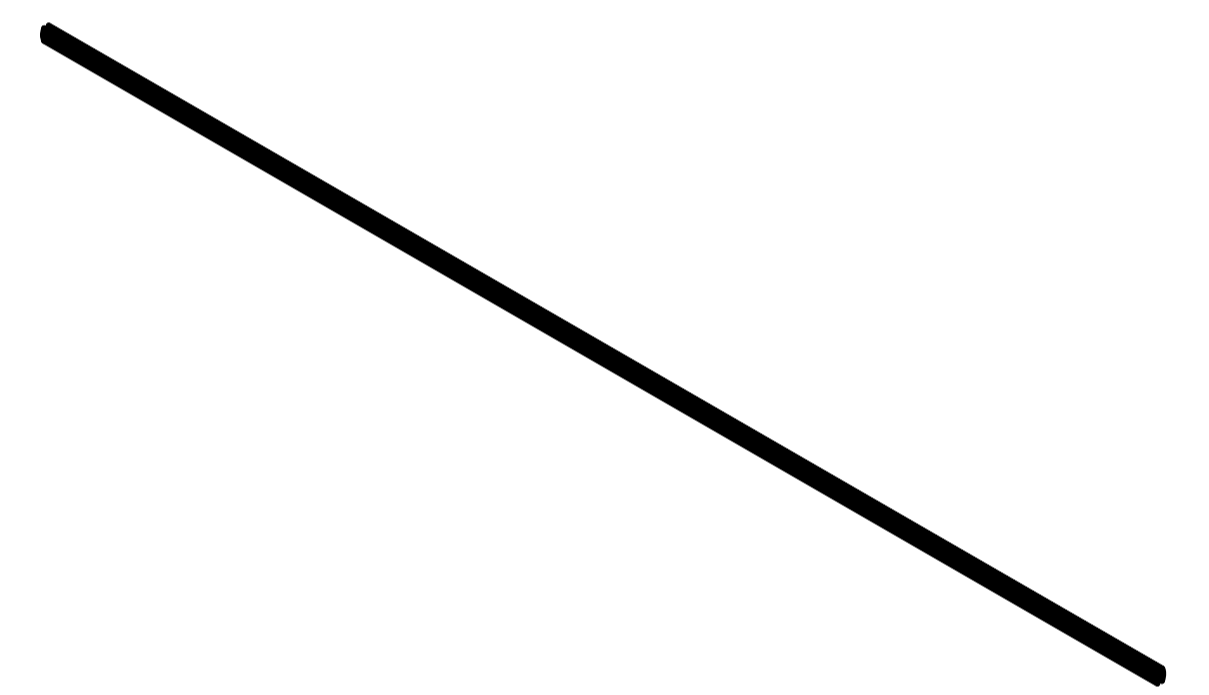
17 x1



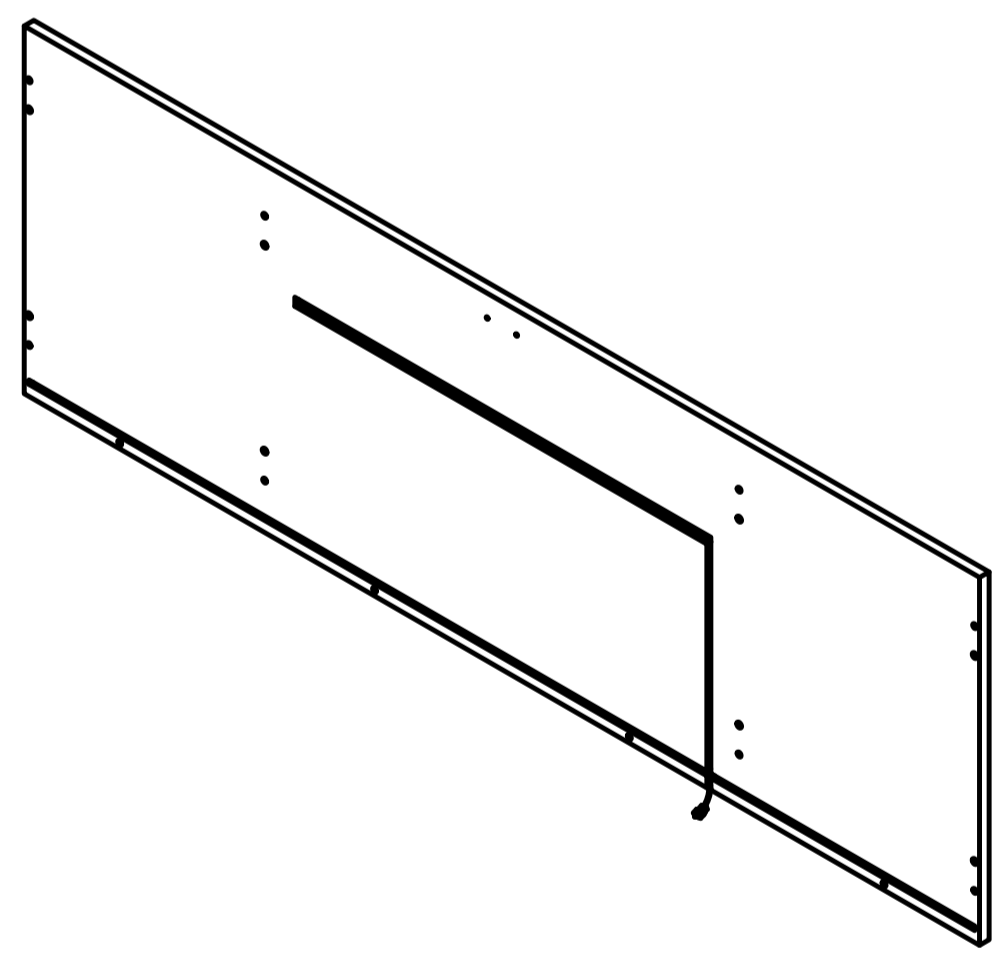
18 x1



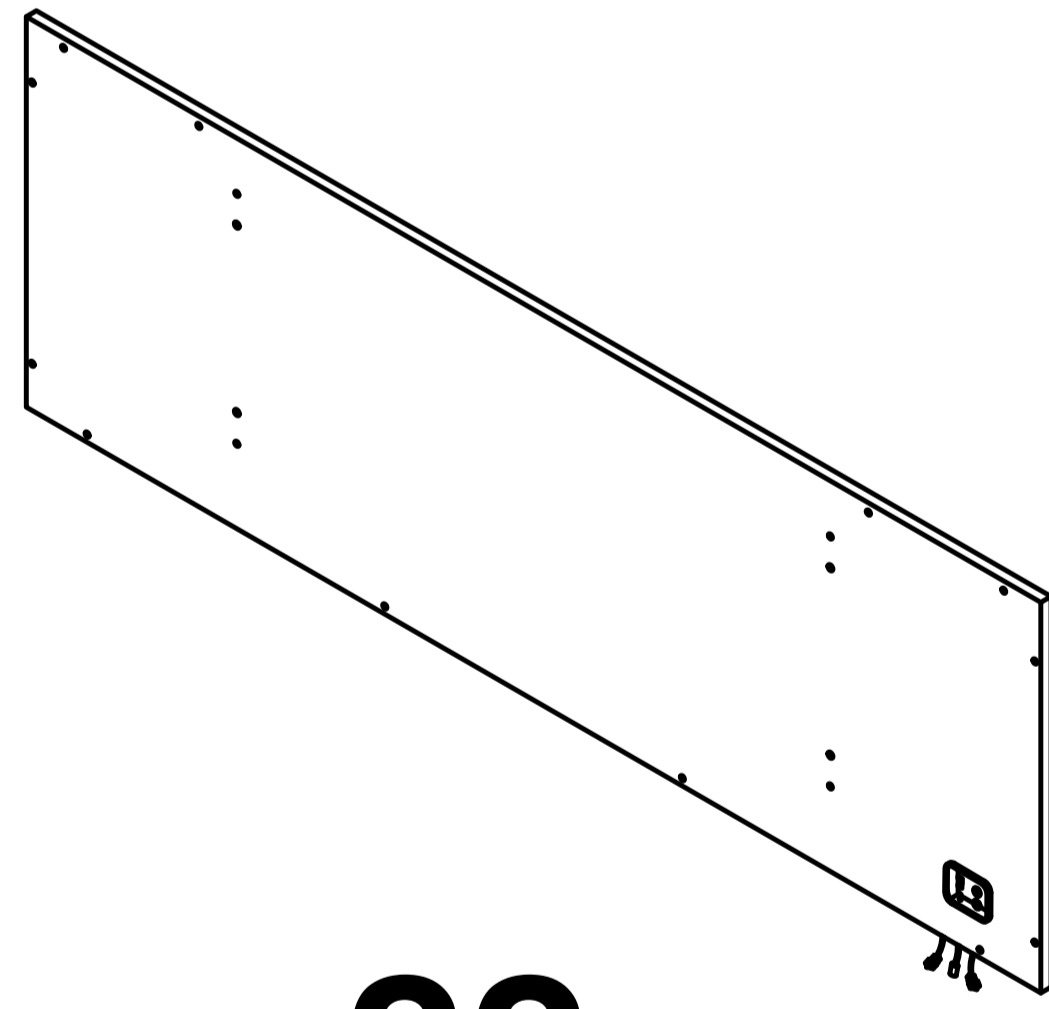
19 x2



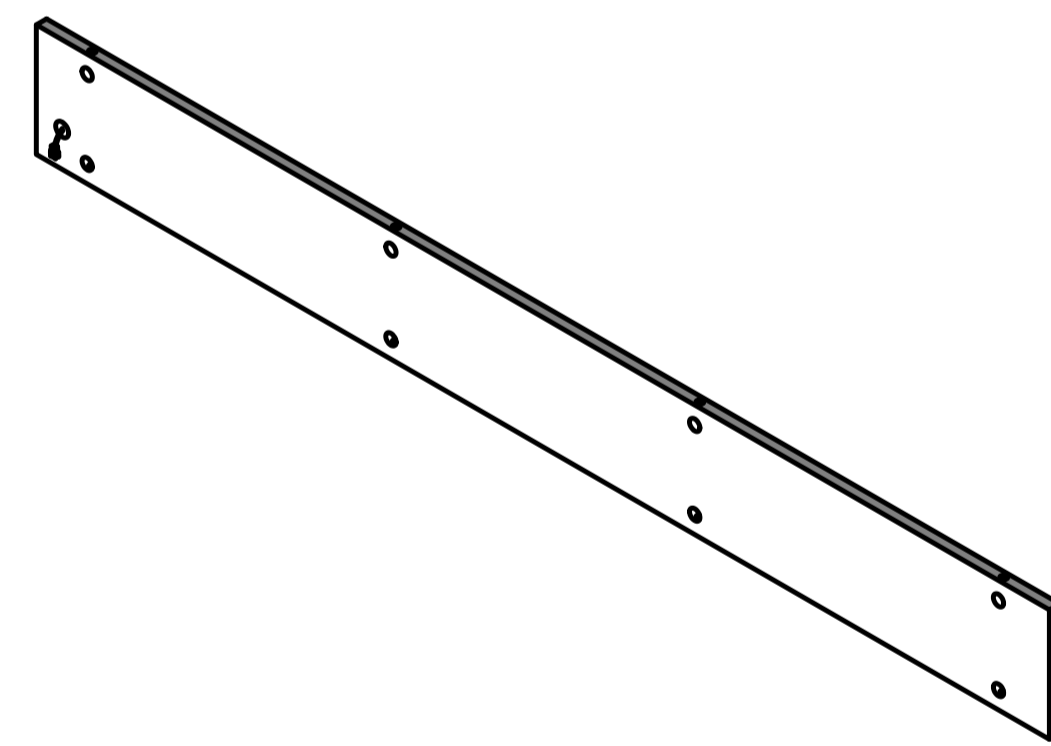
20 x1



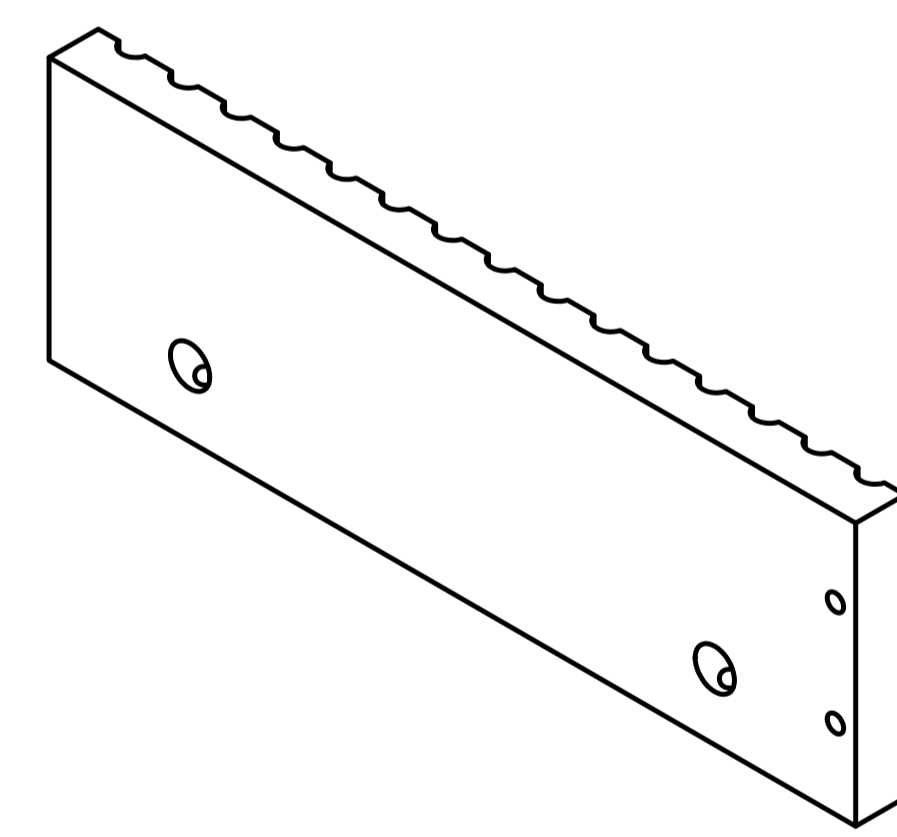
21 x1



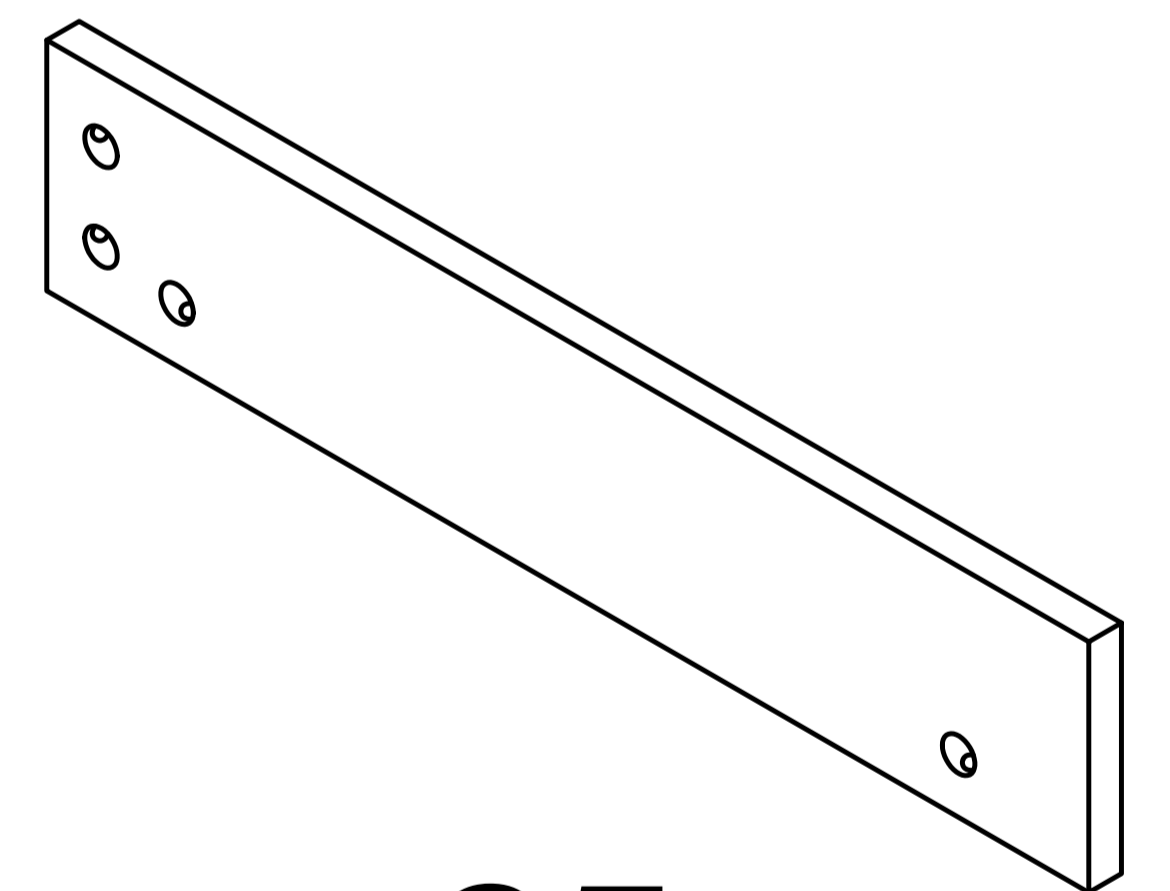
22 x1



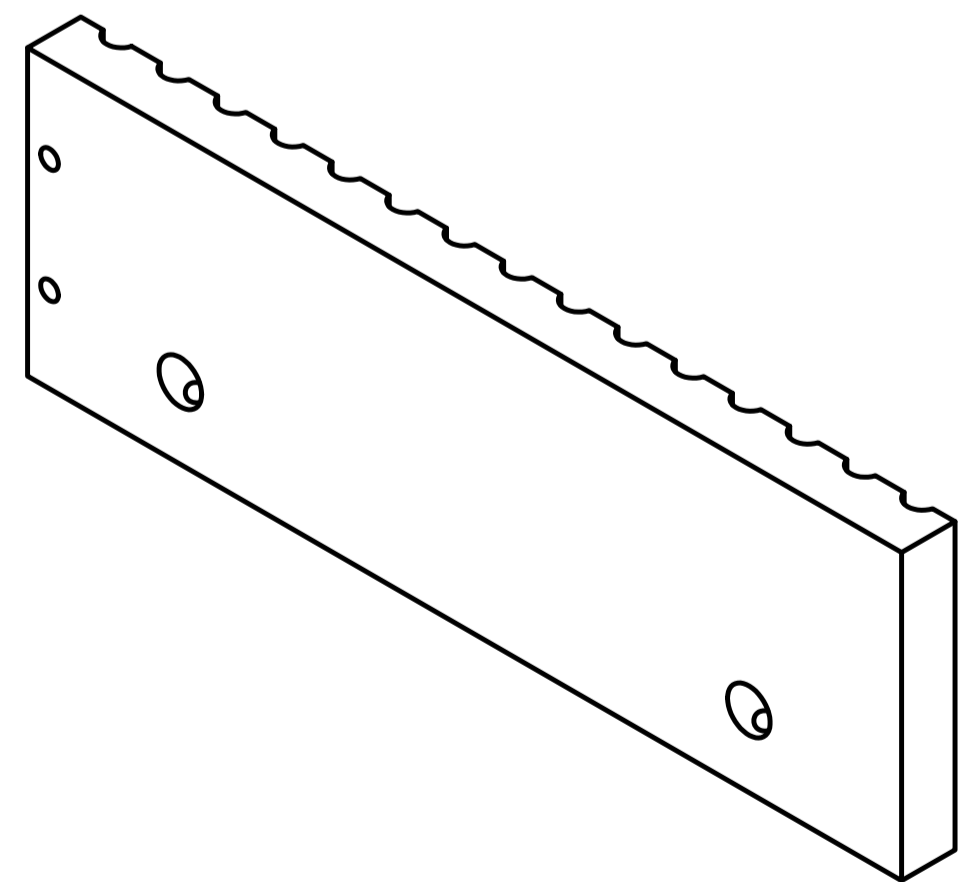
23 x1



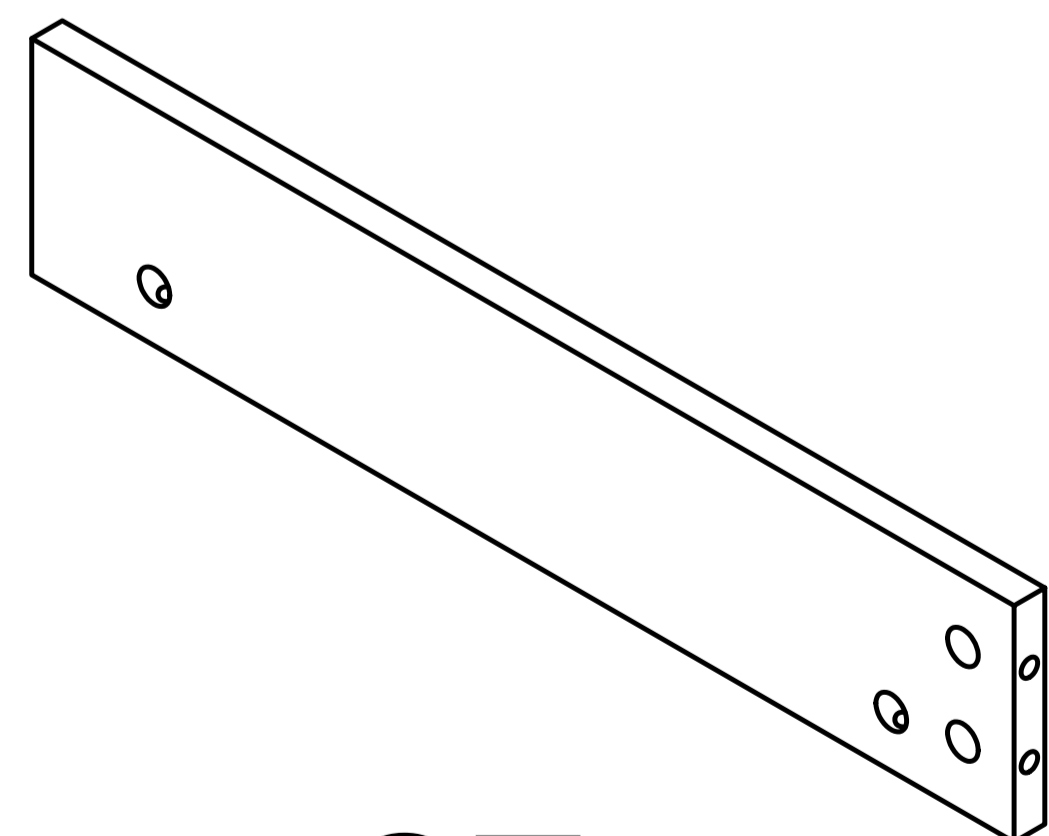
24 x1



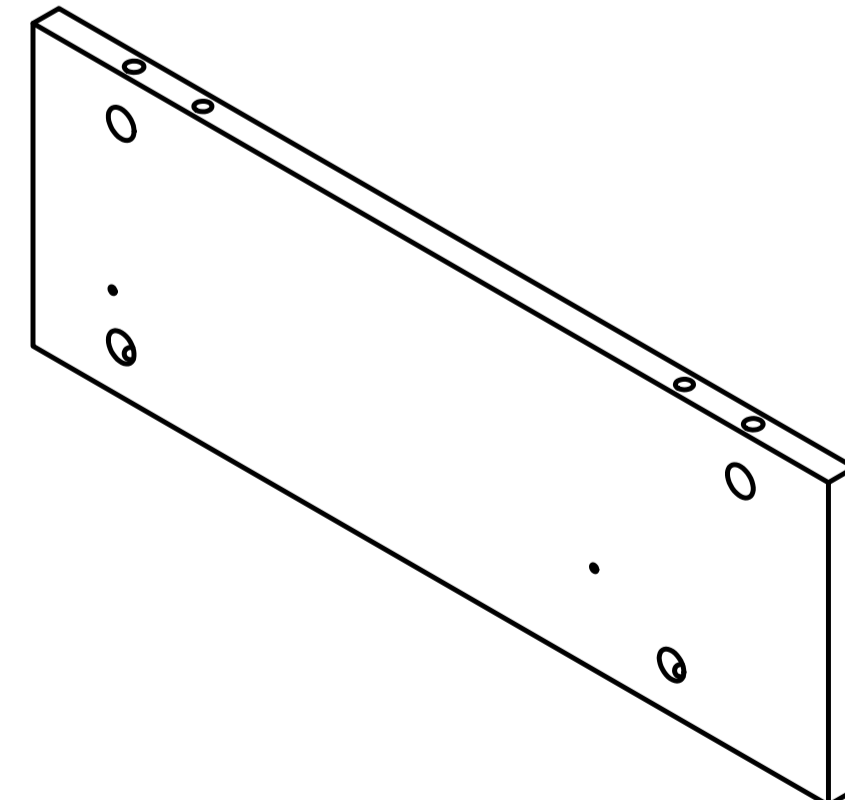
25 x1



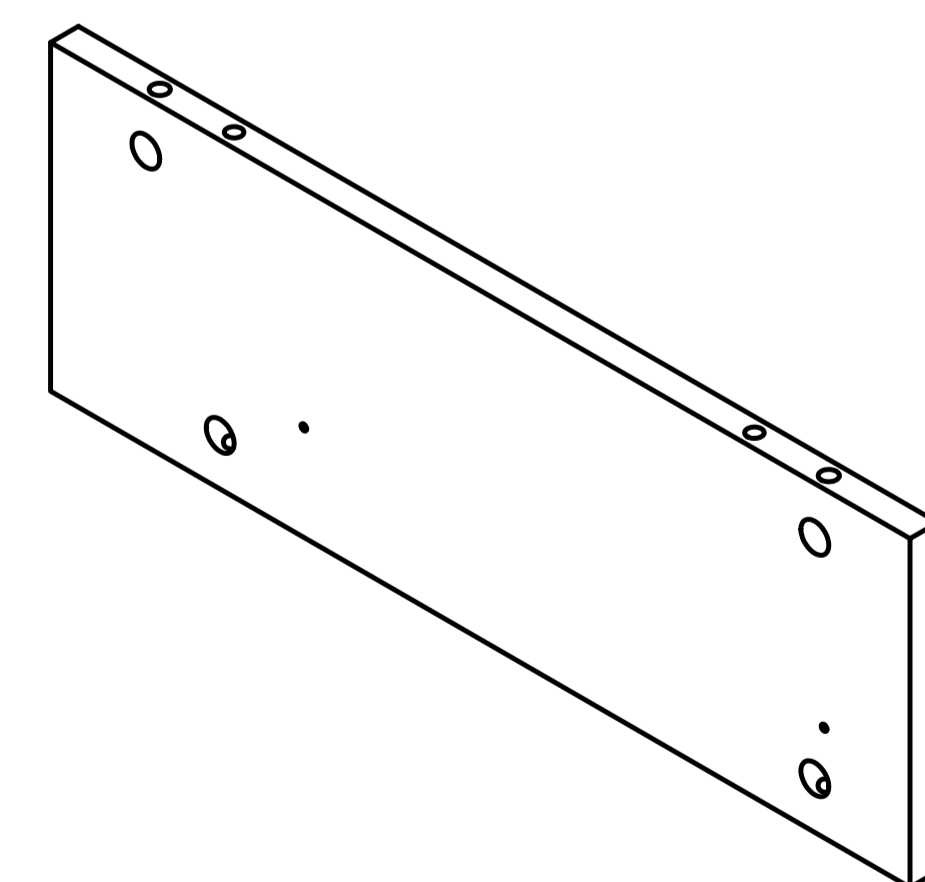
26 x1



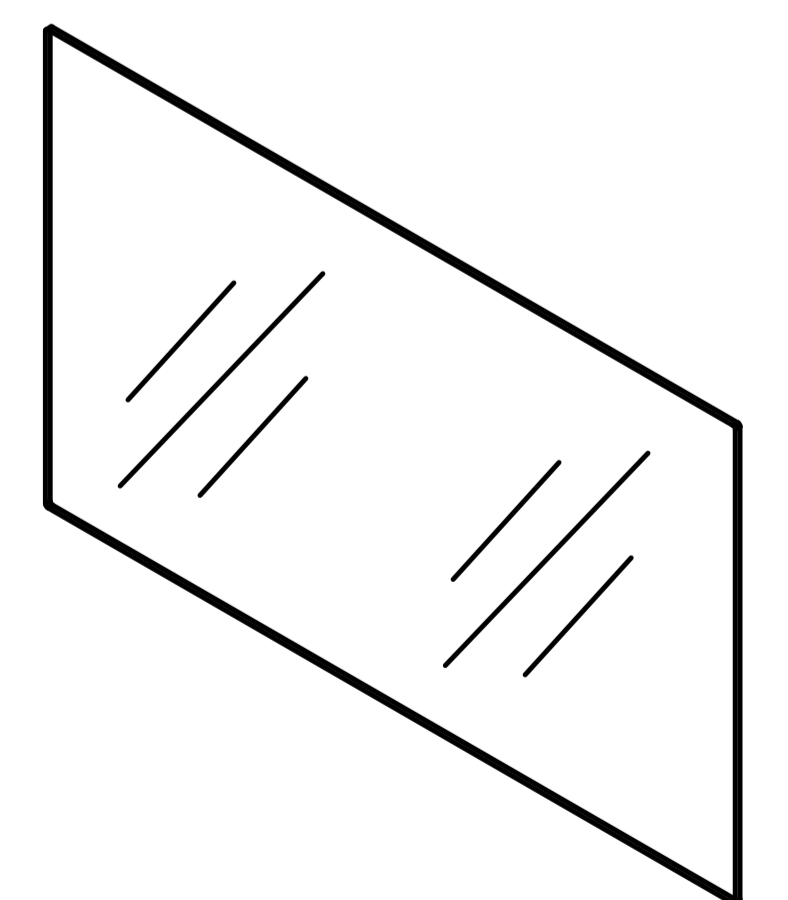
27 x1



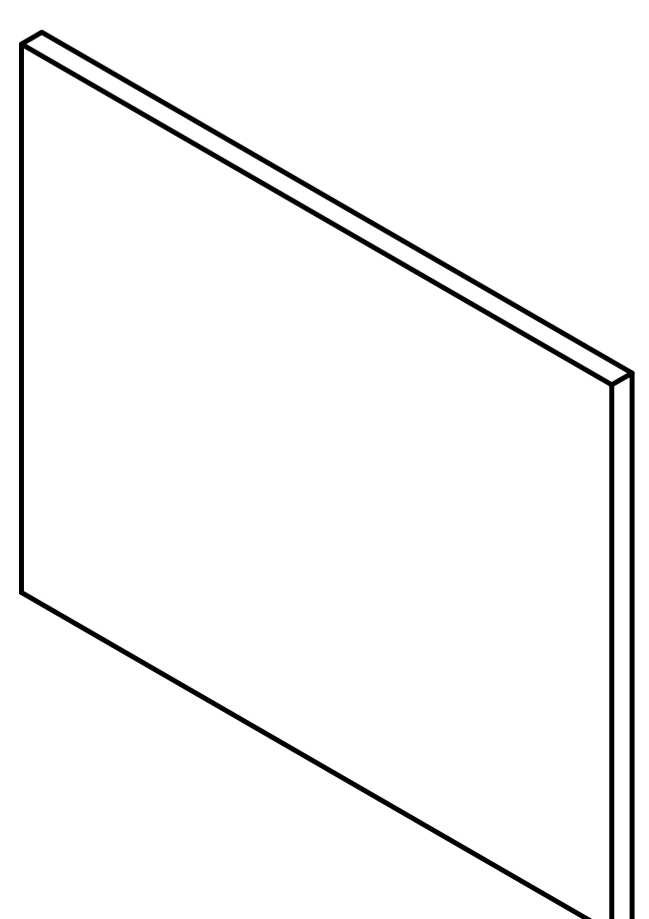
28 x1



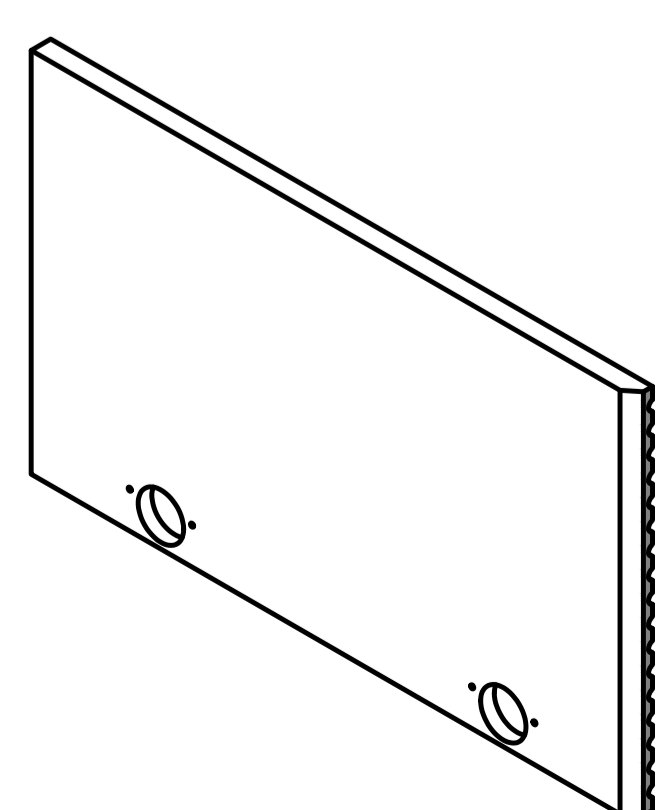
29 x1



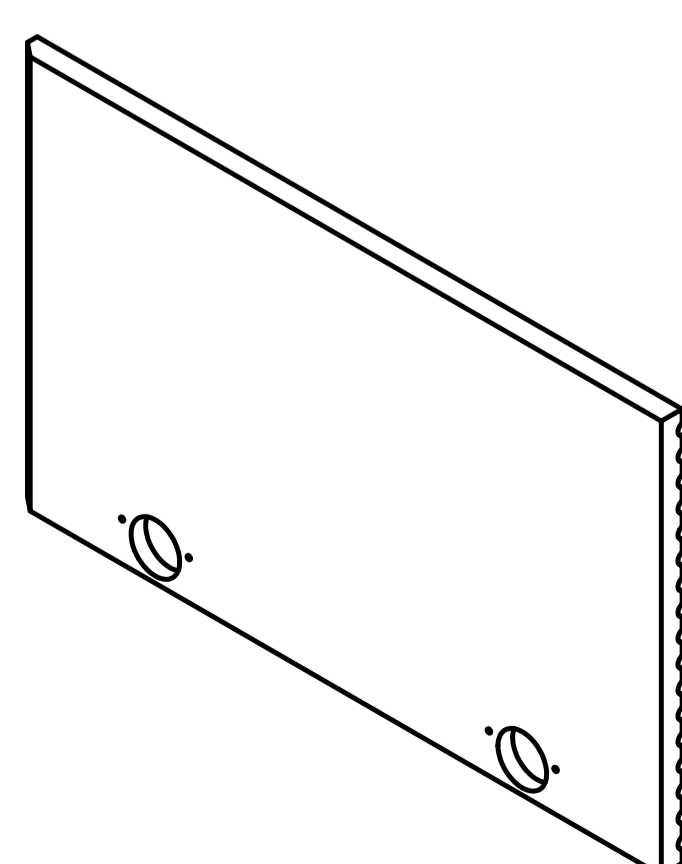
30 x1



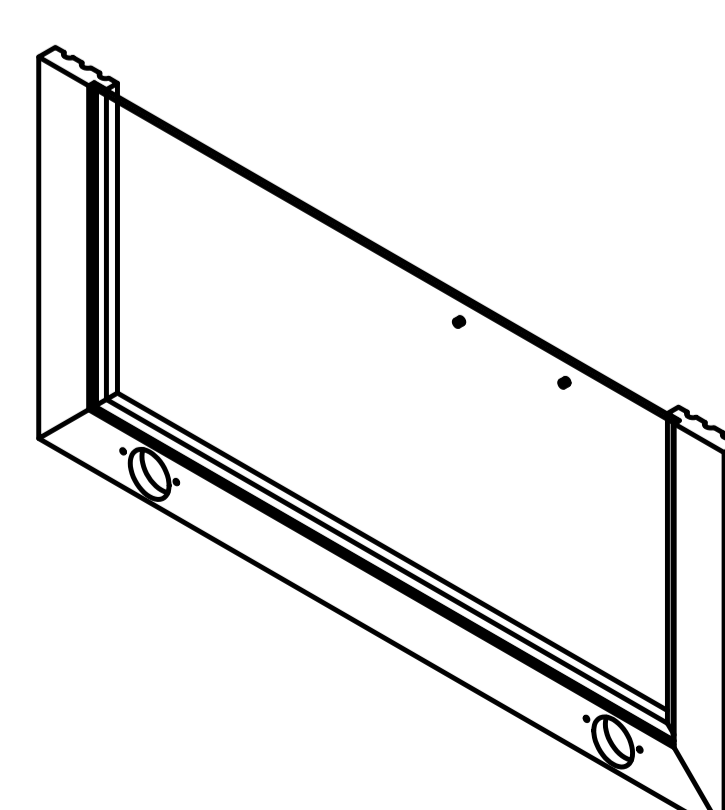
31 x2



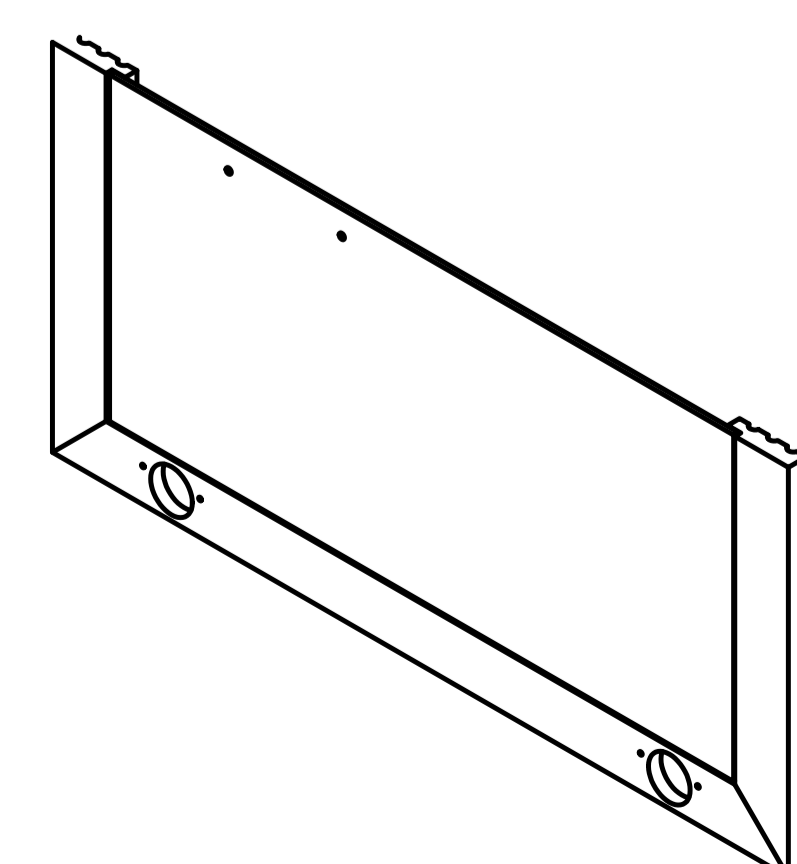
32 x1



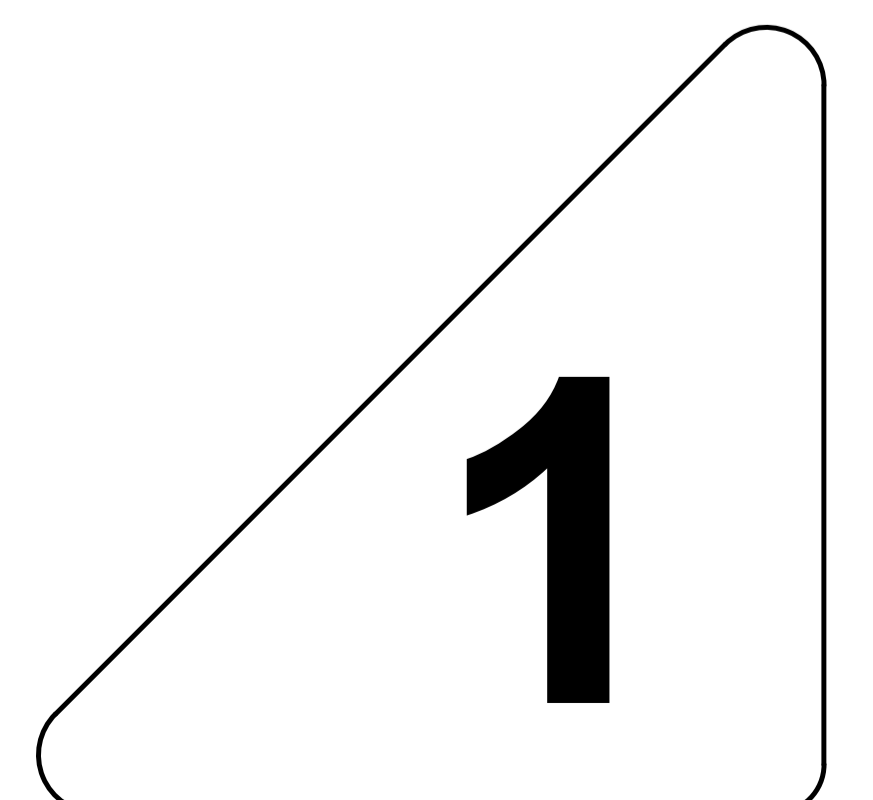
33 x1



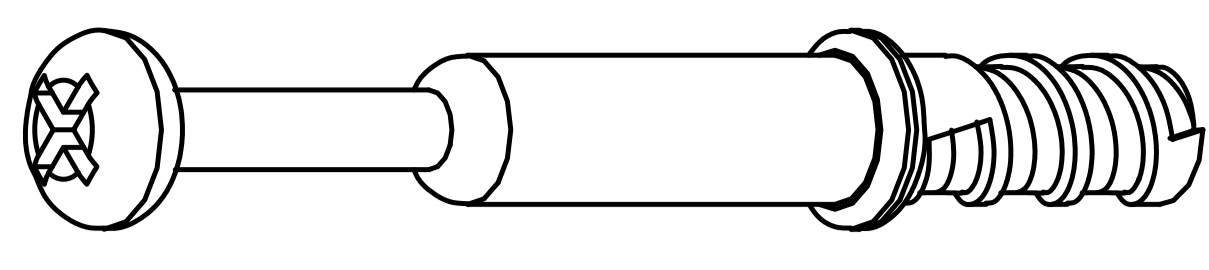
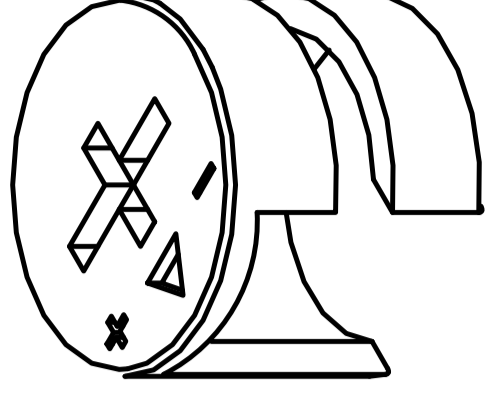
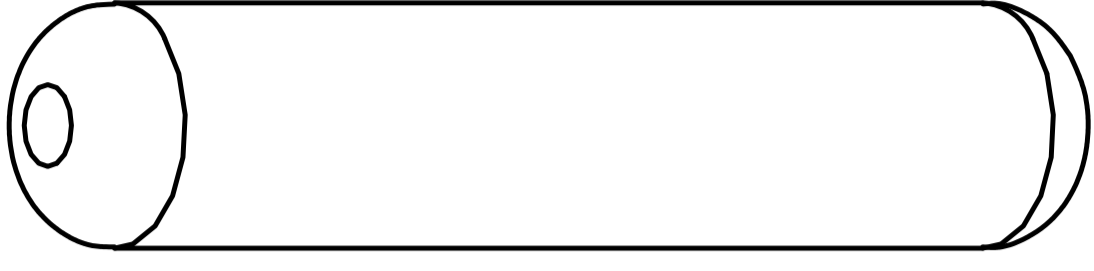
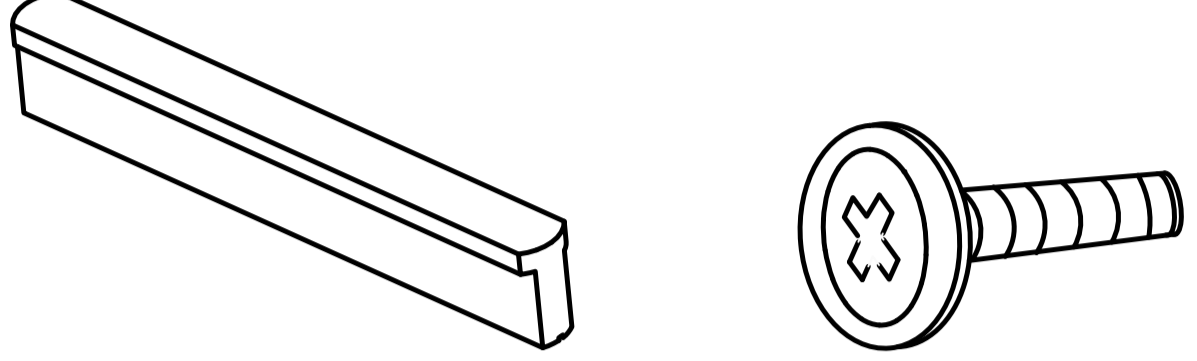
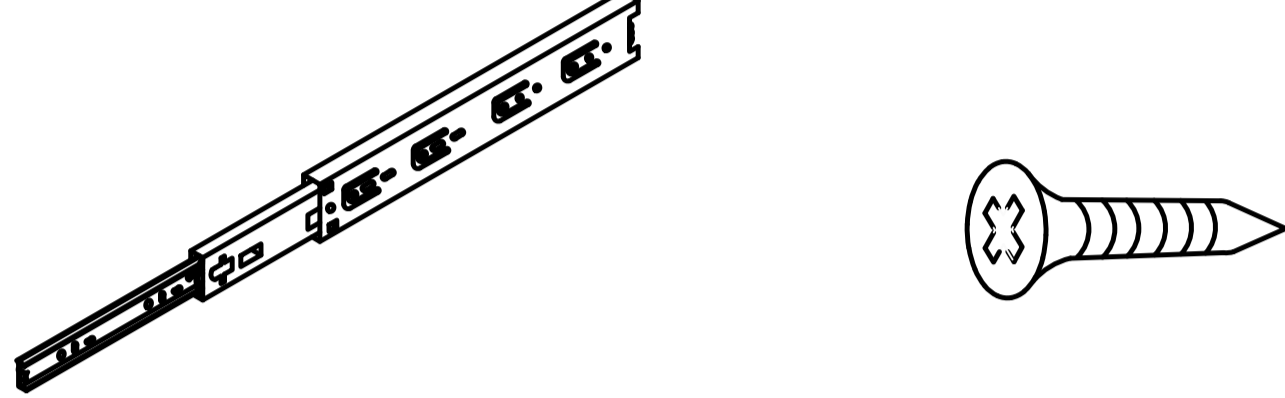
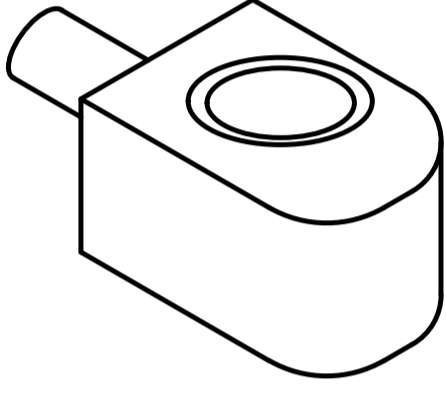
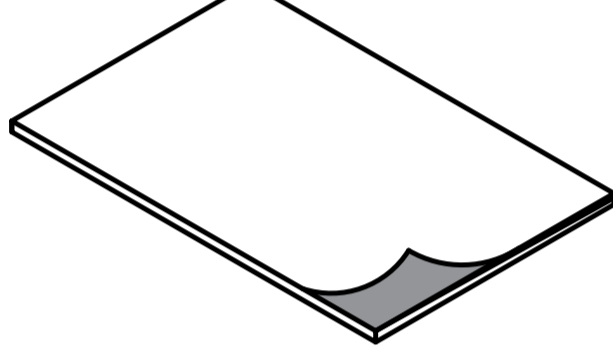
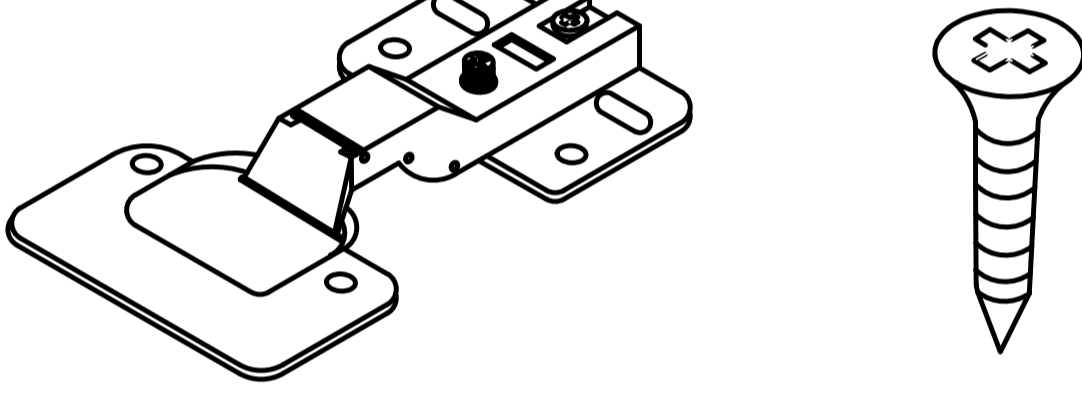
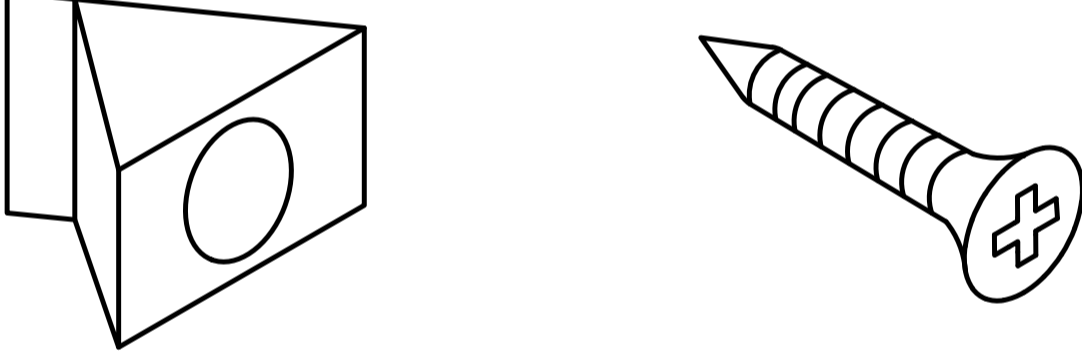
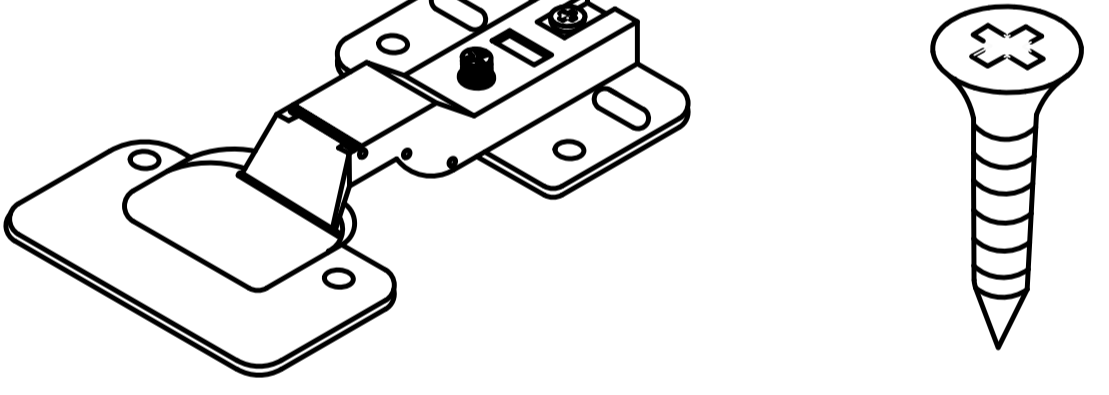
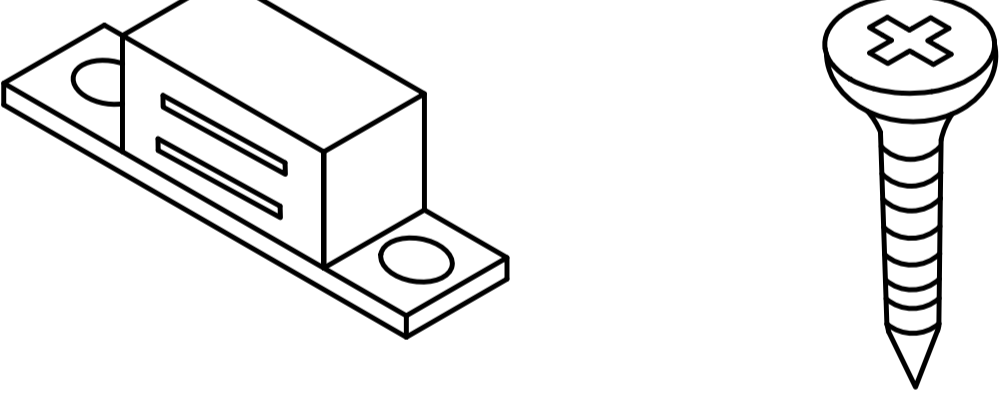
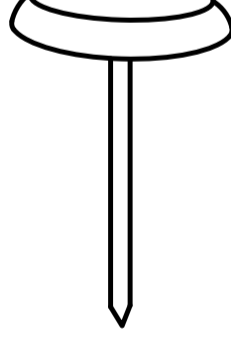
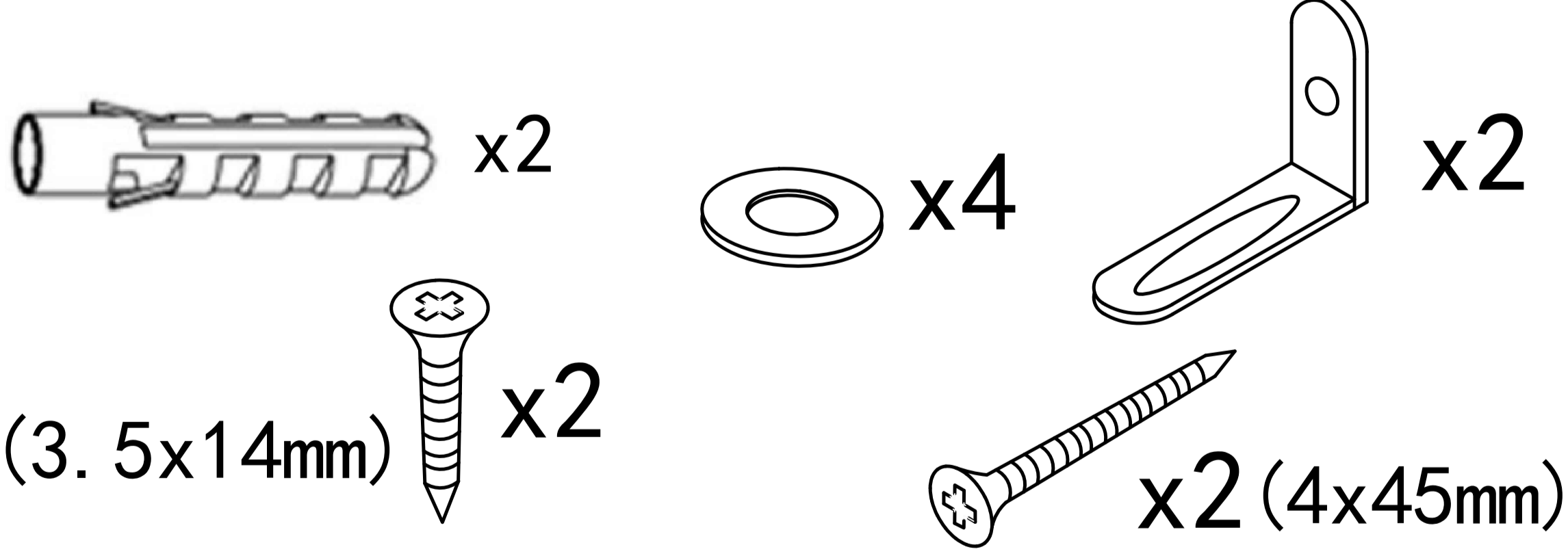
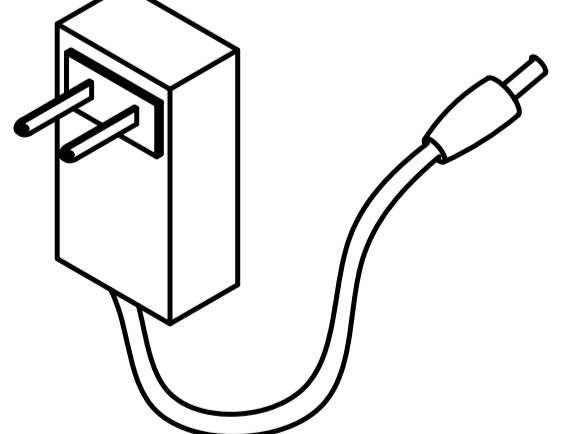
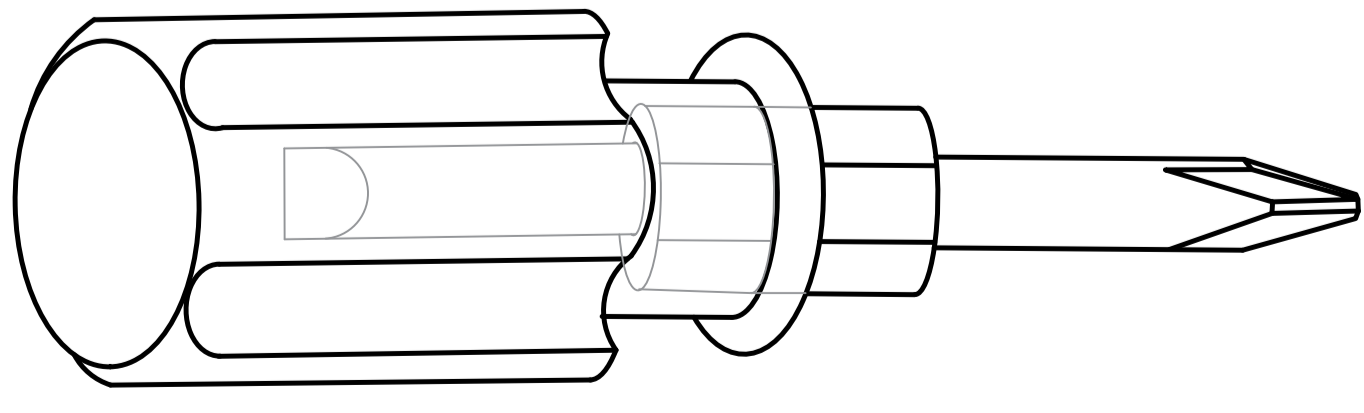
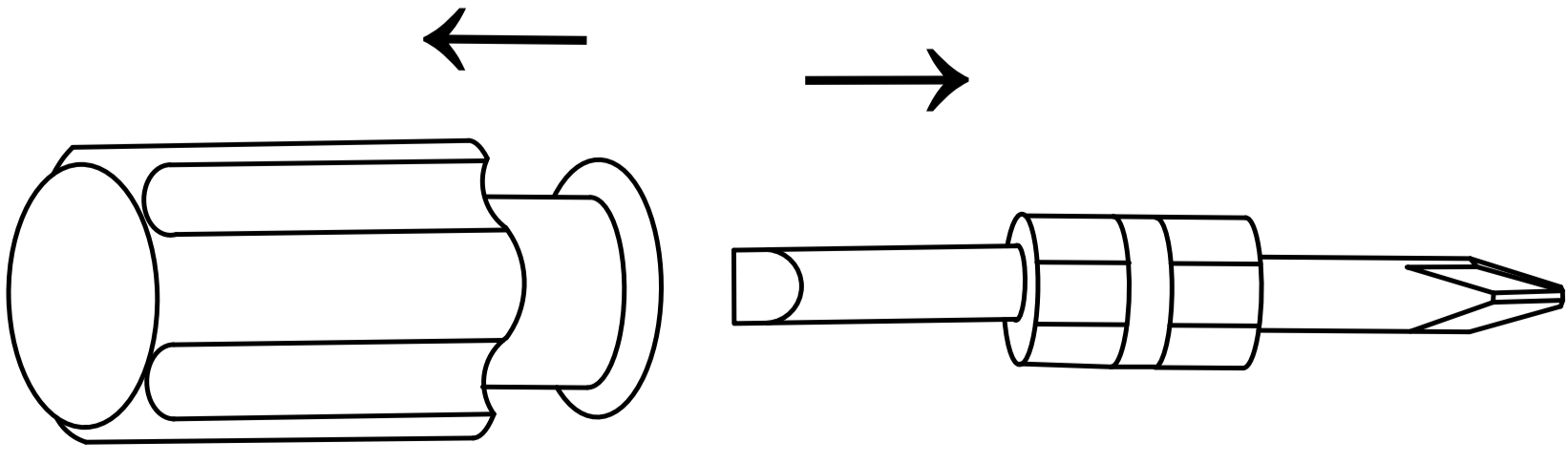

34 x1



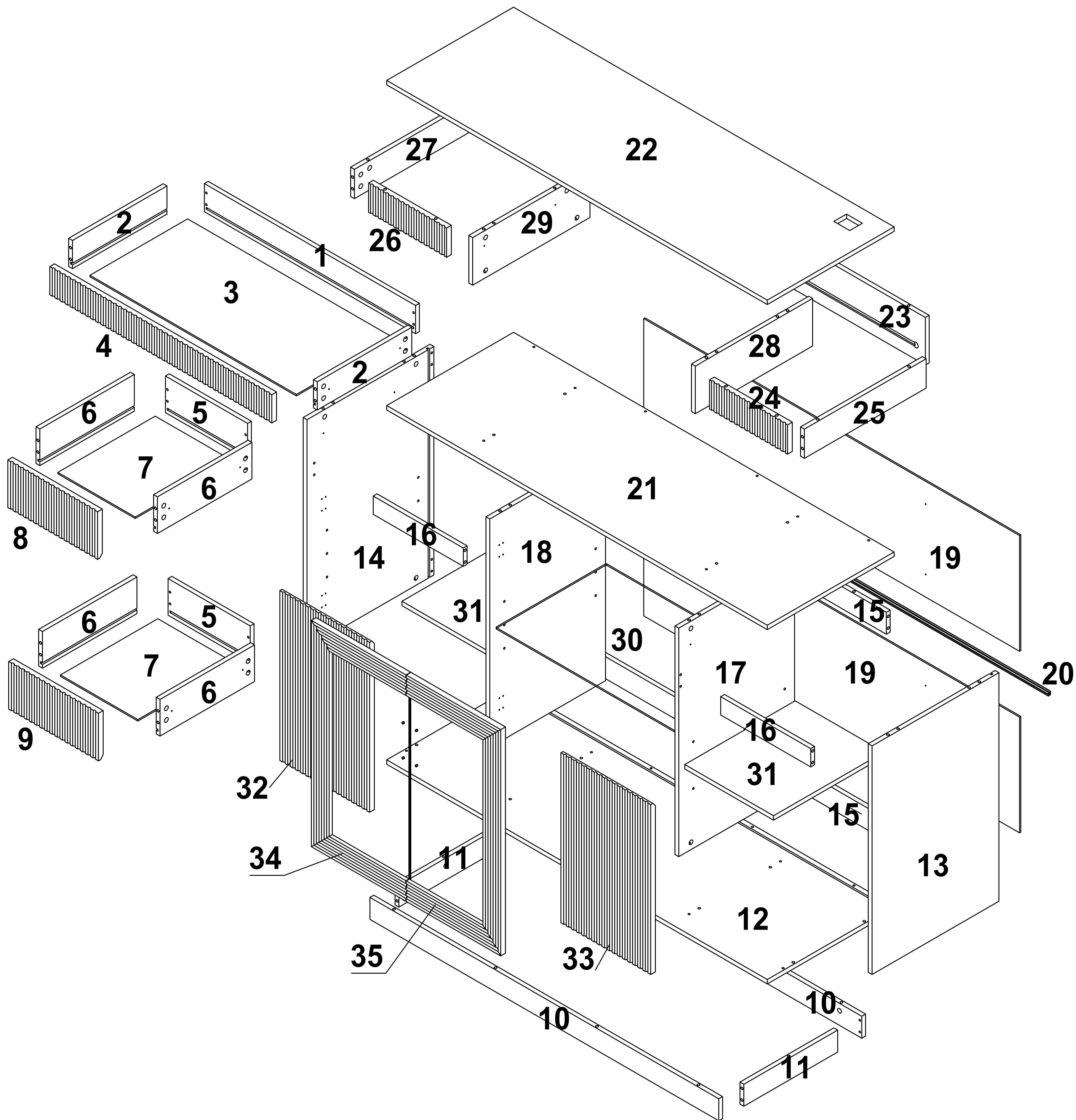
35 x1



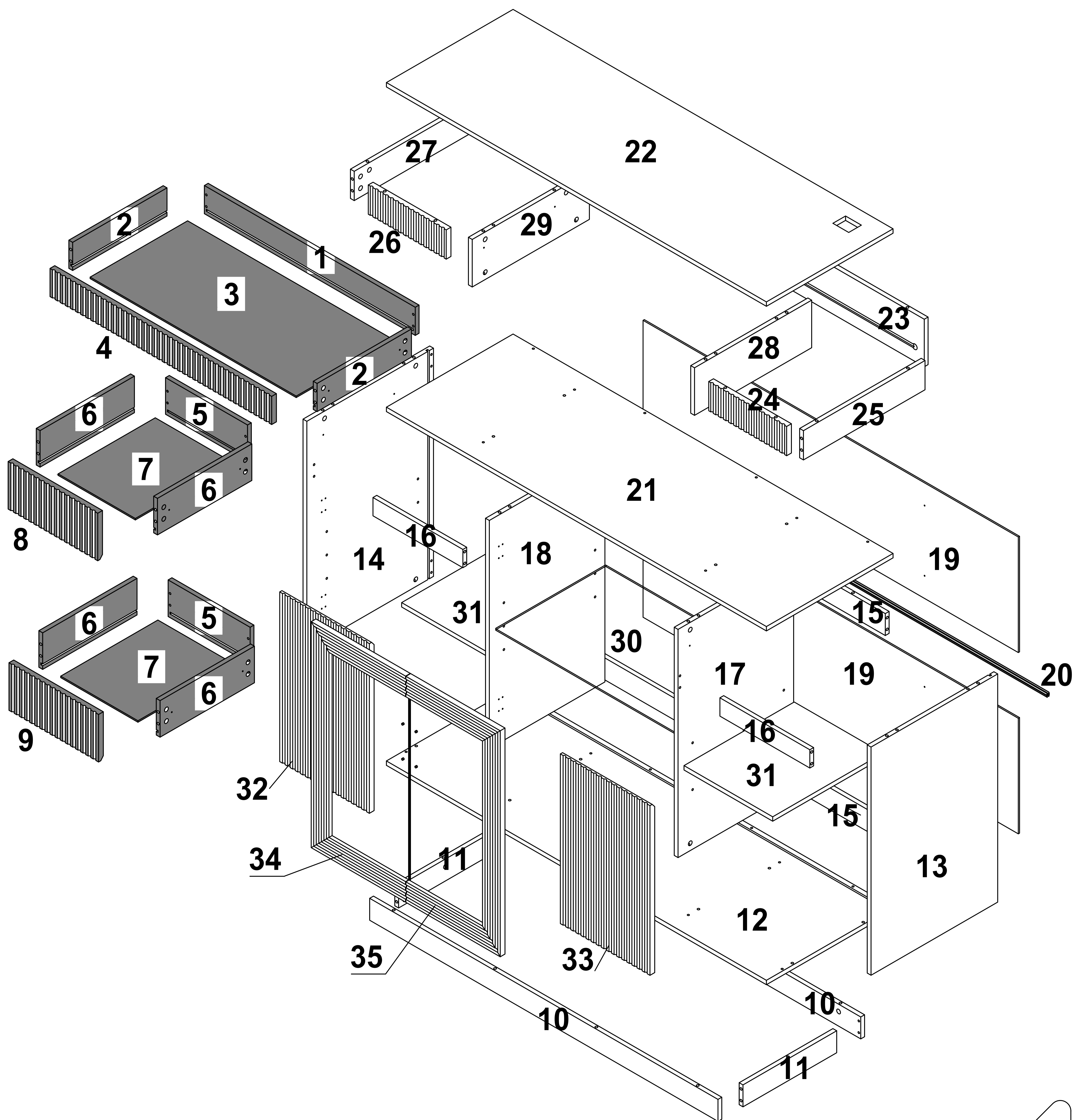
1

| | | | |
|---|--|---|---|
| A |  | Two In One Screw (6x28mm) | 110pcs +11pcs |
| B |  | Two In One Nut (10x12mm) | 110pcs +11pcs |
| C |  | Wood Chipping (6x30mm) | 24pcs +2pcs |
| D |  | Handle & Screw (4x8mm) | 4pcs +1pcs 2pcs |
| E |  | Screw & Guide (3x12mm) | 30pcs +6pcs 6pcs |
| F |  | Laminate Support Nail | 12pcs +2pcs |
| G |  | Non-slip pads (50x10mm) | 6pcs +2pcs |
| H |  | Hinge & Screw (3.5x12mm) | 24pcs +3pcs 4pcs |
| I |  | Fixing clip & screw (3x16mm) | 8pcs +2pcs |
| J |  | Hinge & Screw (3.5x12mm) | 24pcs +3pcs 4pcs |
| K |  | Door Magnet & Screw (3x14mm) | 2pcs +1pcs 1pcs |
| L |  | Foot nail | 8pcs +2pcs |
| M |  | Anti Fall Hardware | 1pcs |
| |  | AC/DC Adapter (12V=2.0A) | 1pcs |
| |  1pcs |  Double-head screwdriver, use as required |  2 |

Product structure decomposition

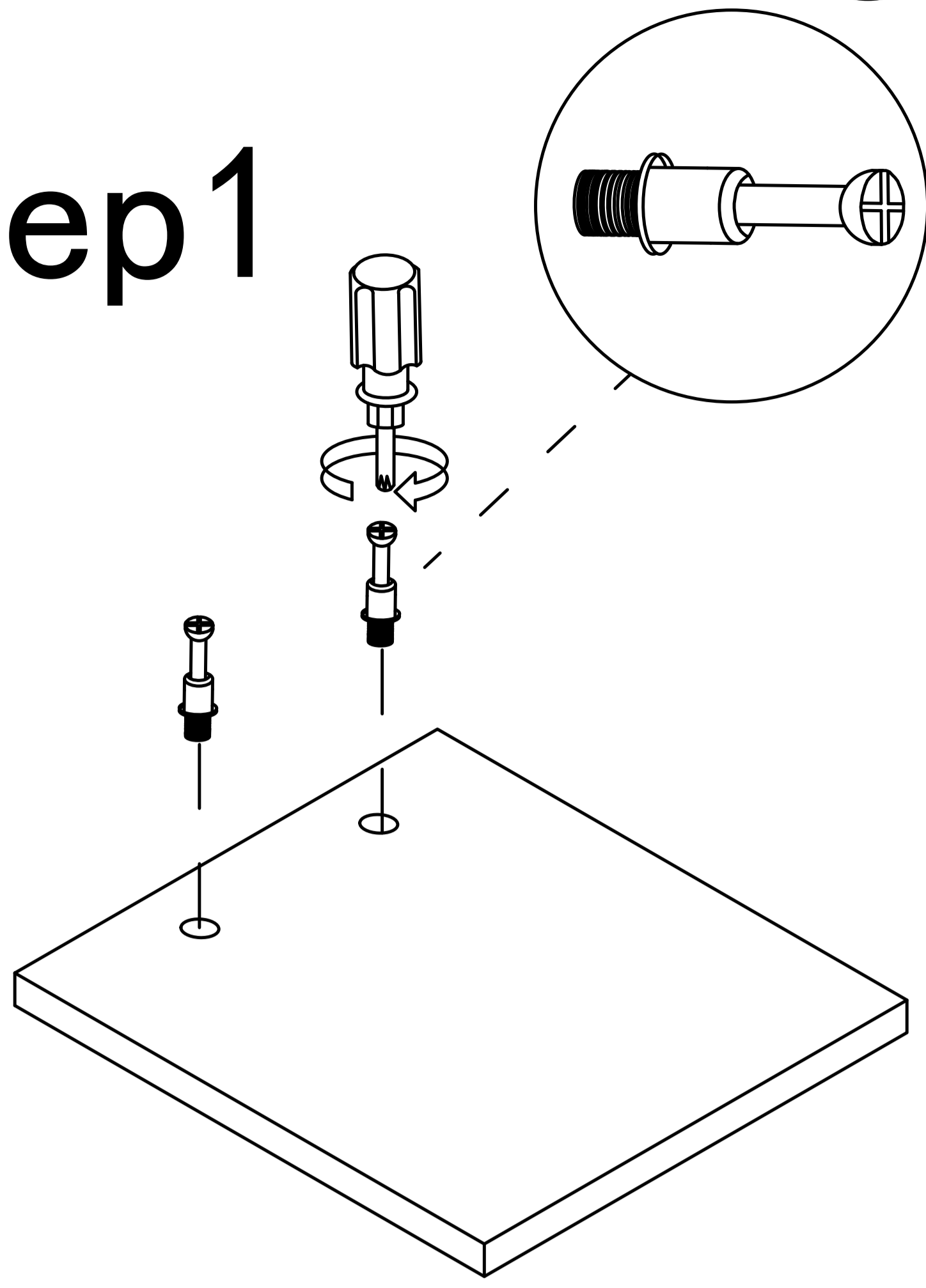


Product structure decomposition

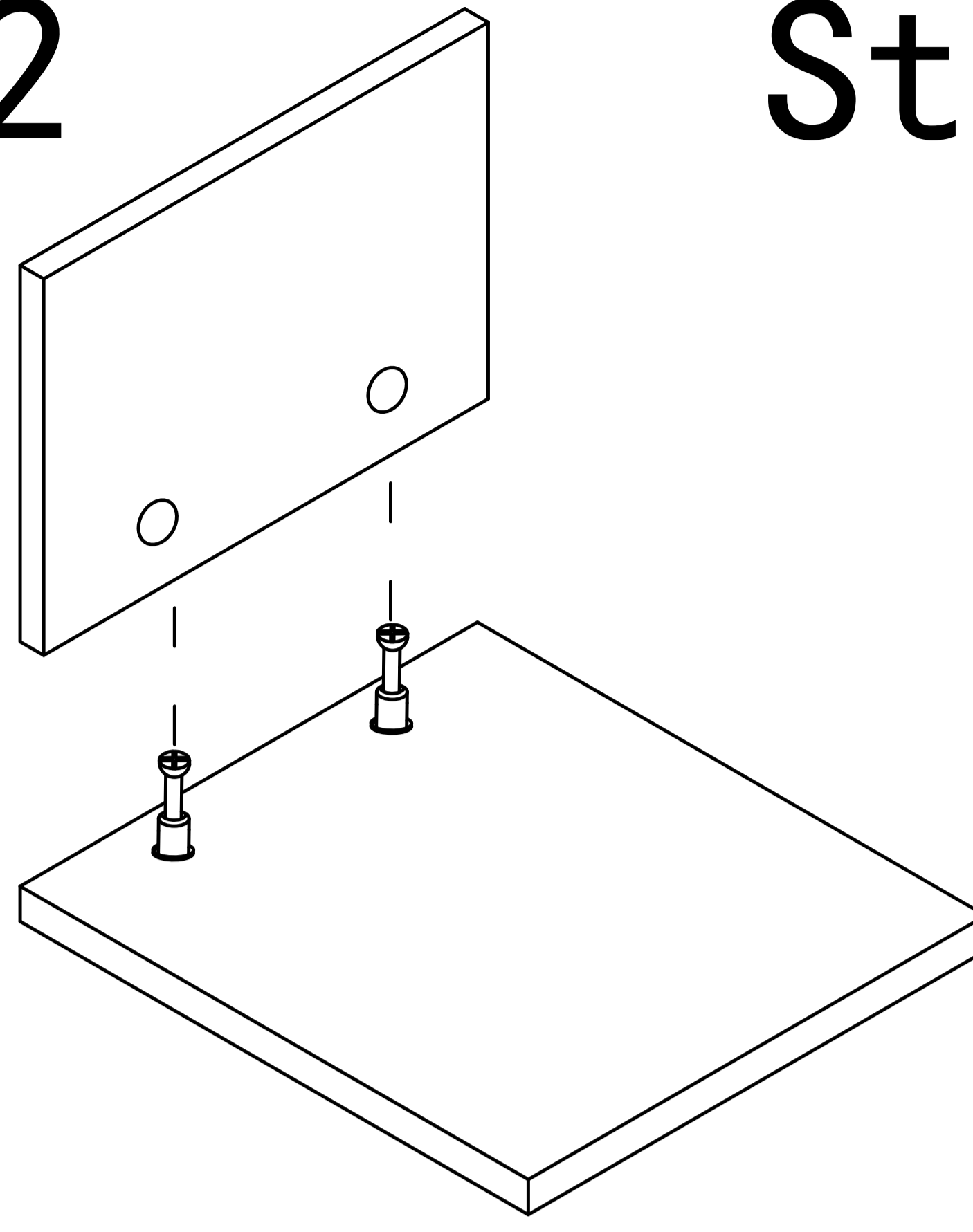


Use parts A and B

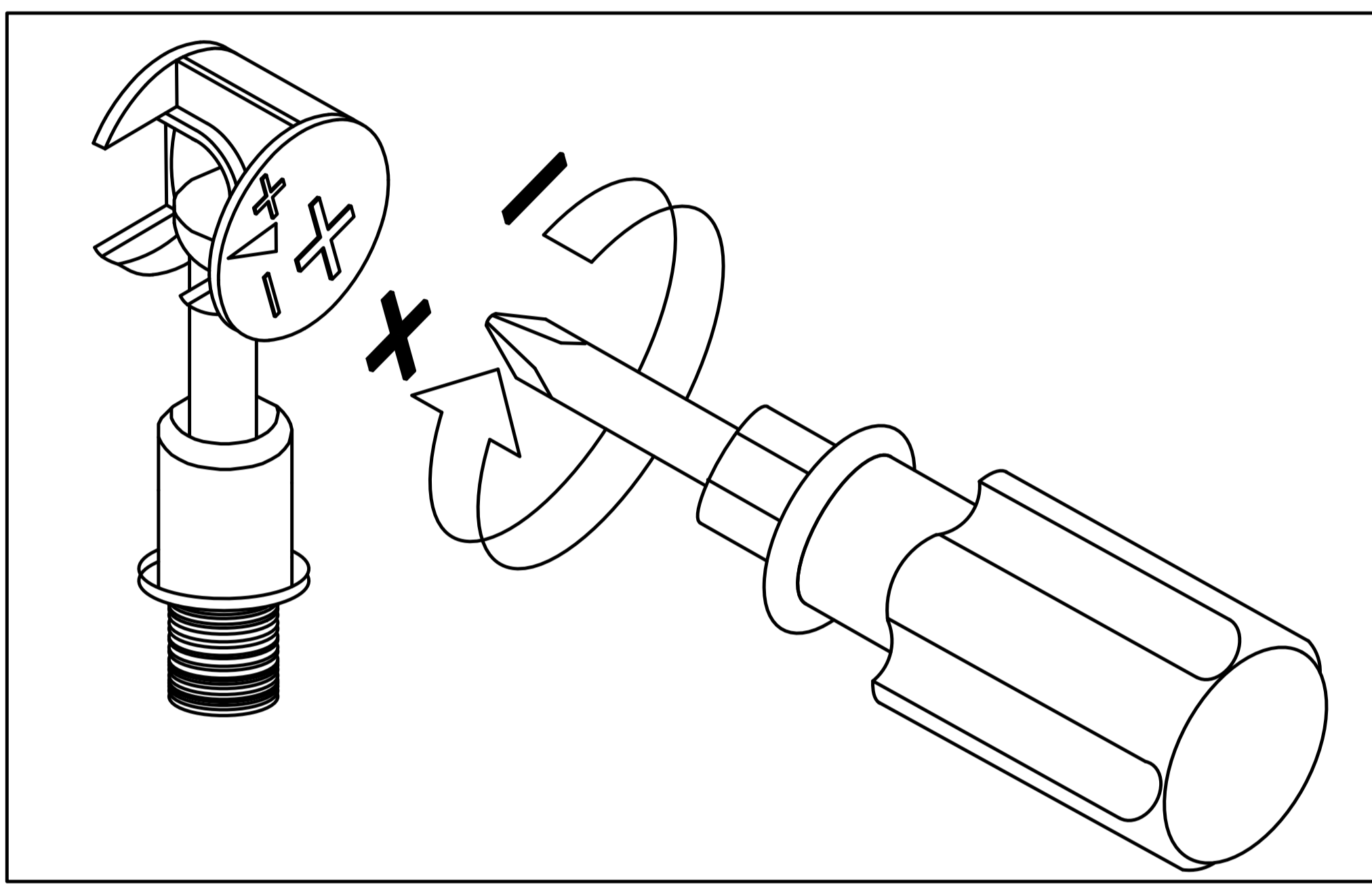
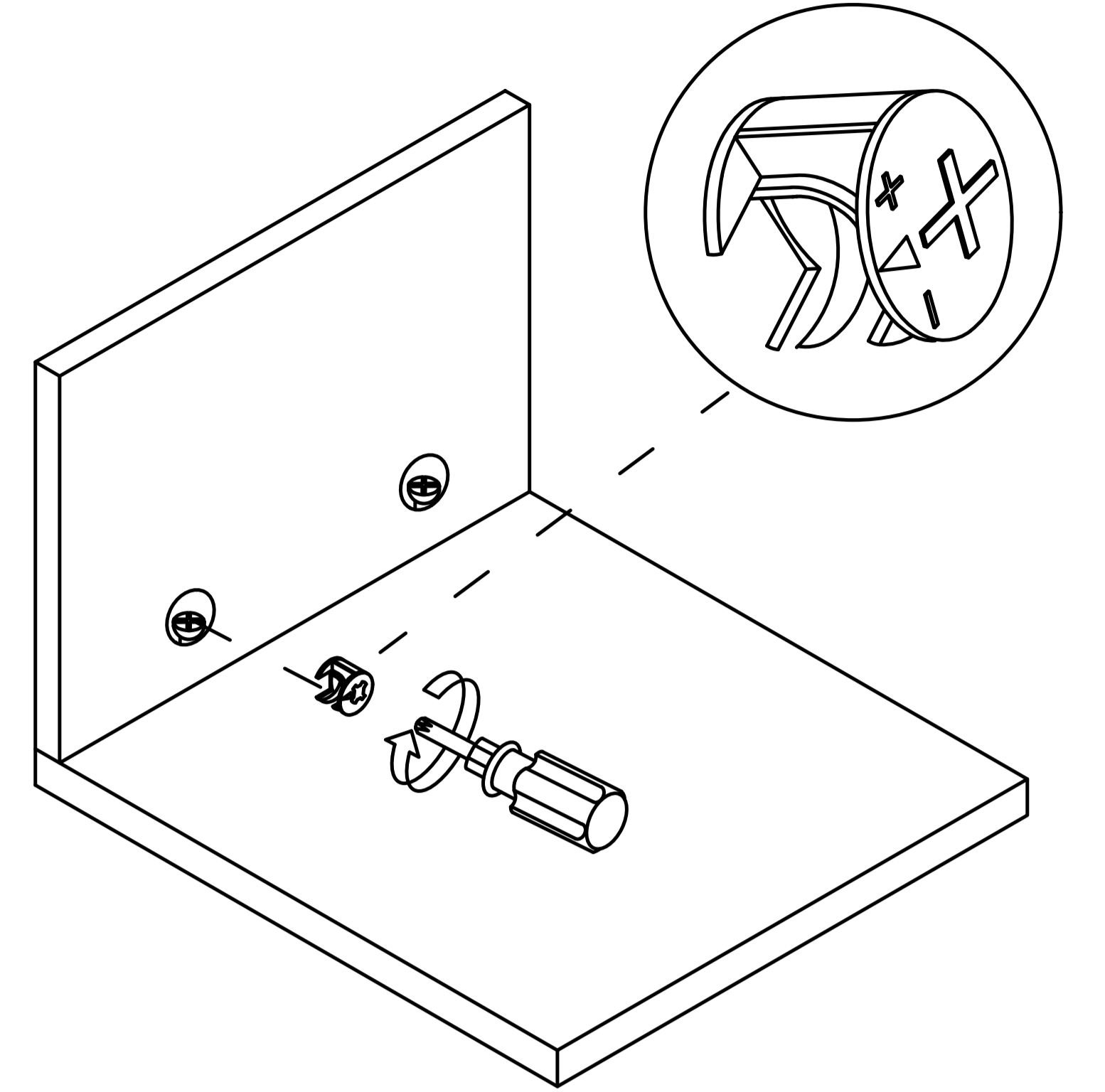
Step 1



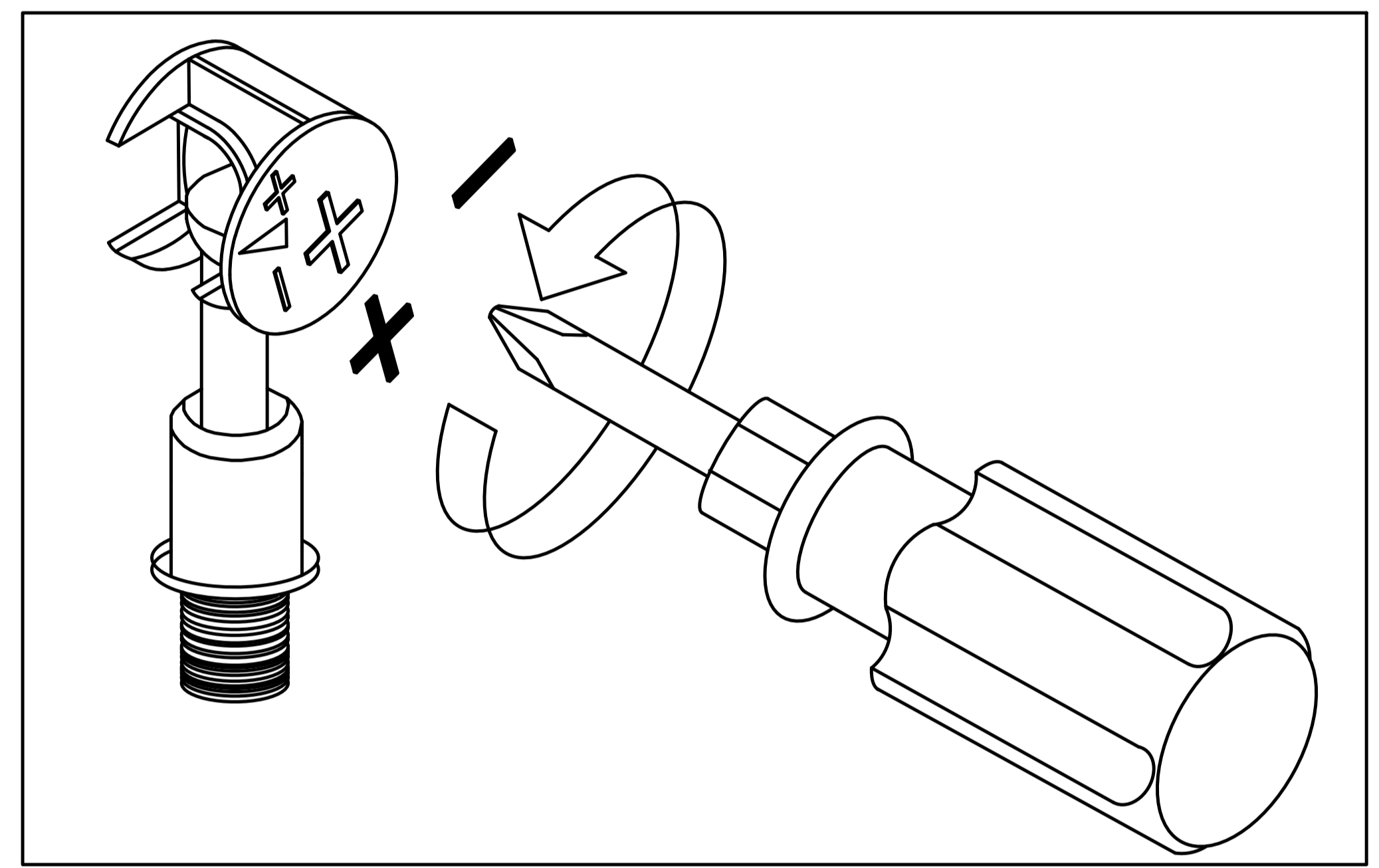
Step 2



Step 3

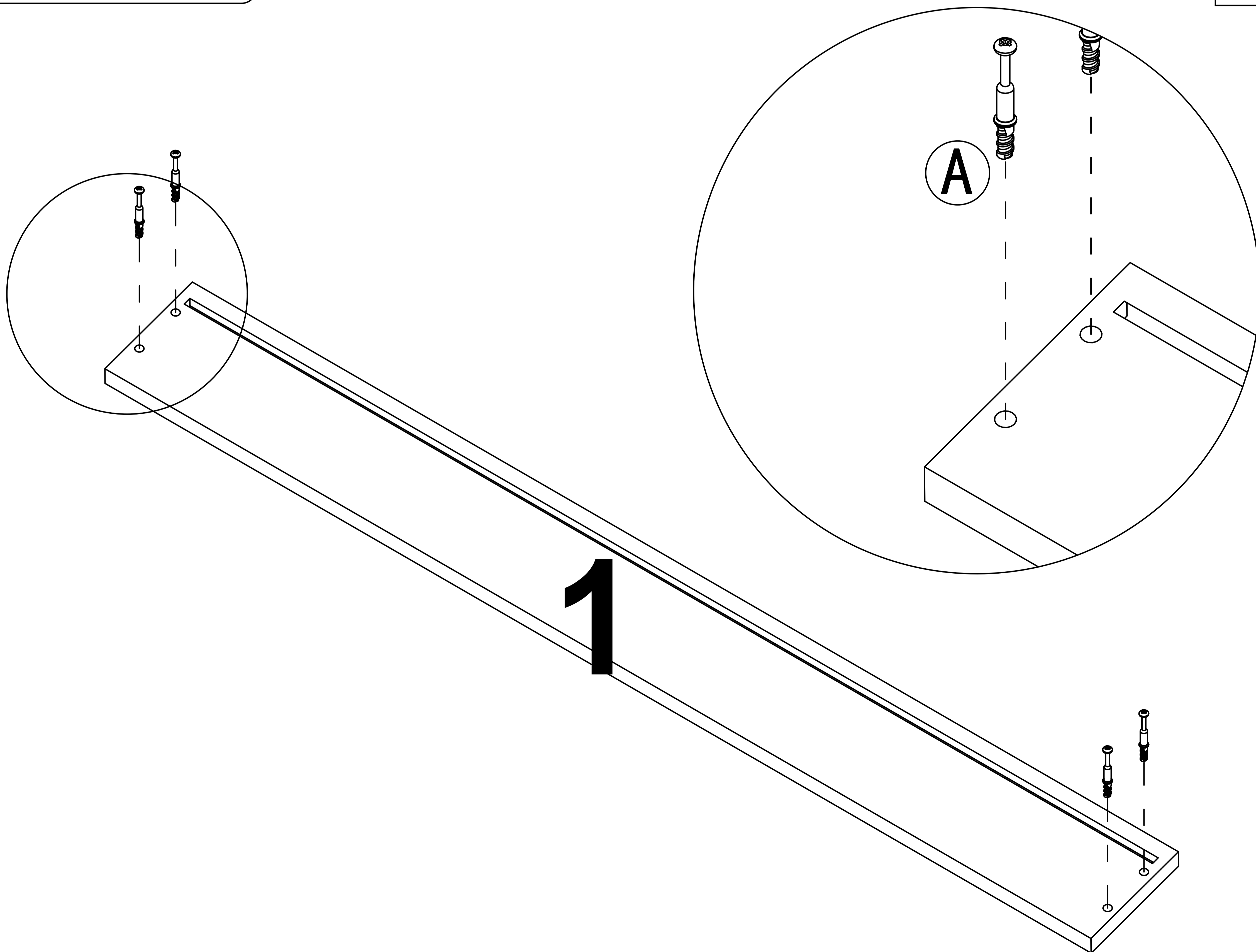
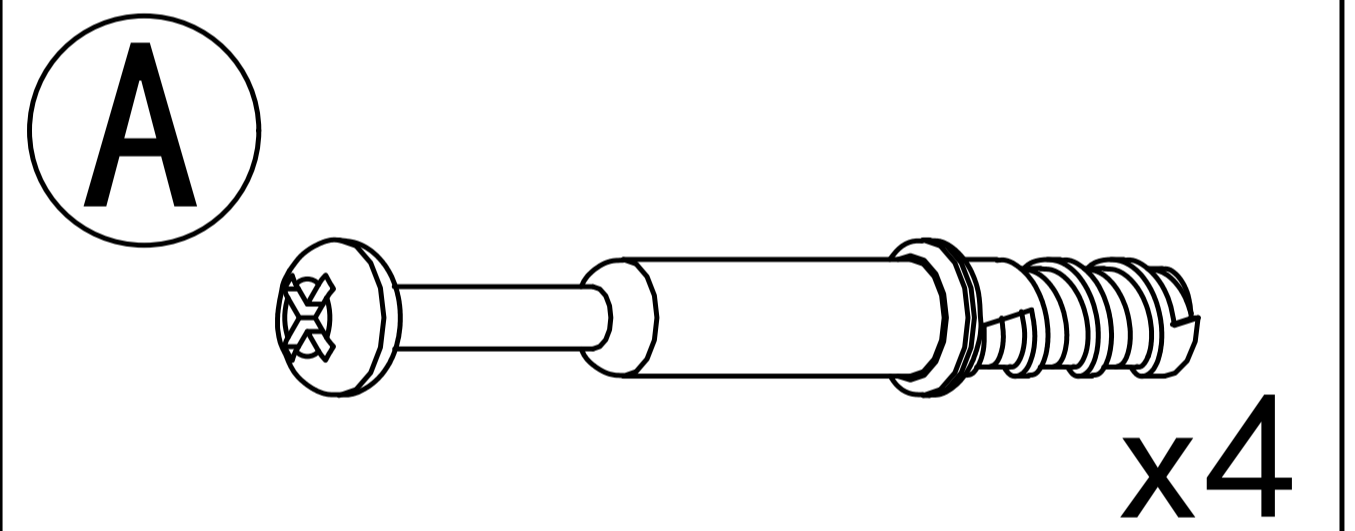


Use a screwdriver to lock in the direction of the "+" sign

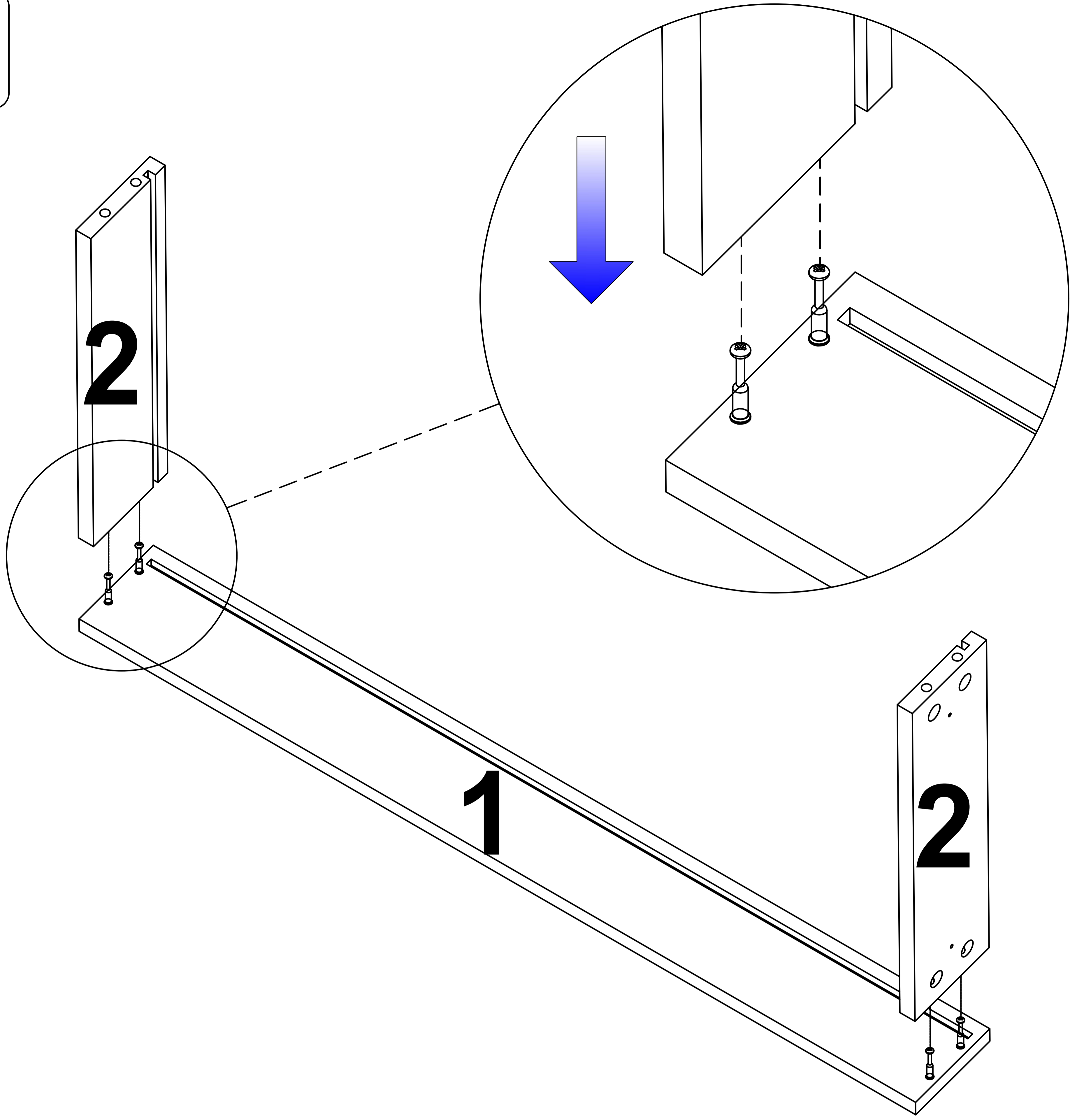


Disassemble along the direction of "-" sign

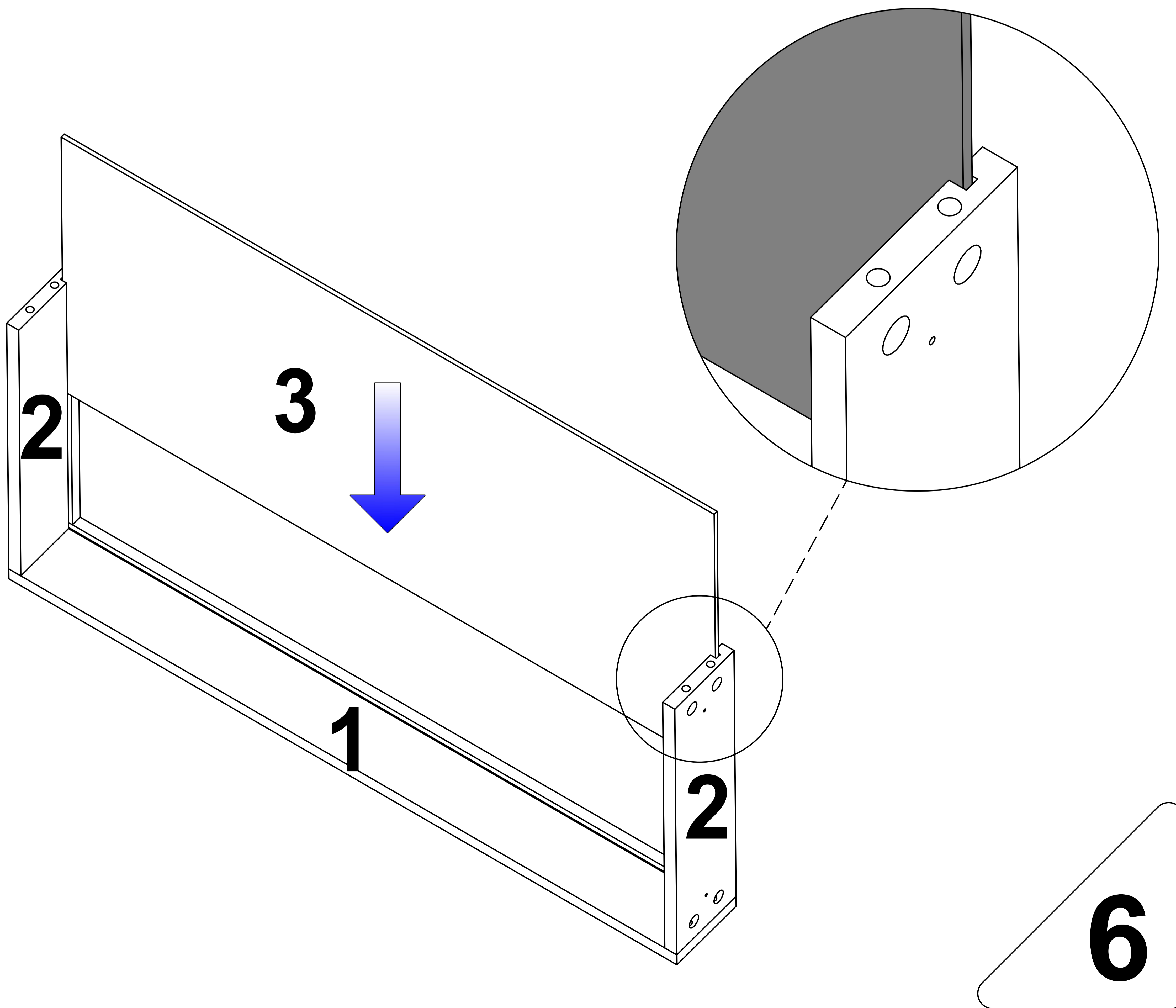
Step 1



Step 2

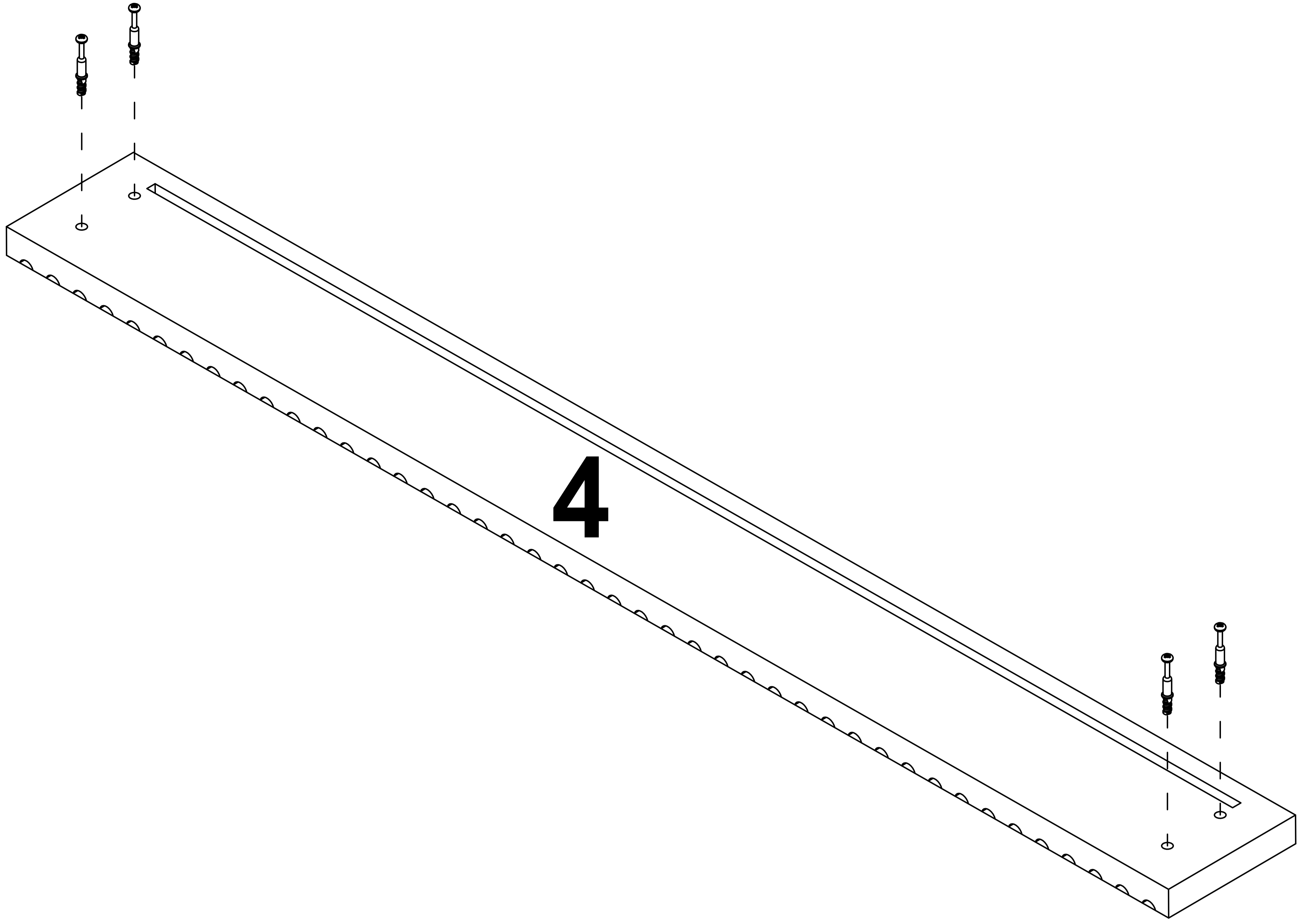
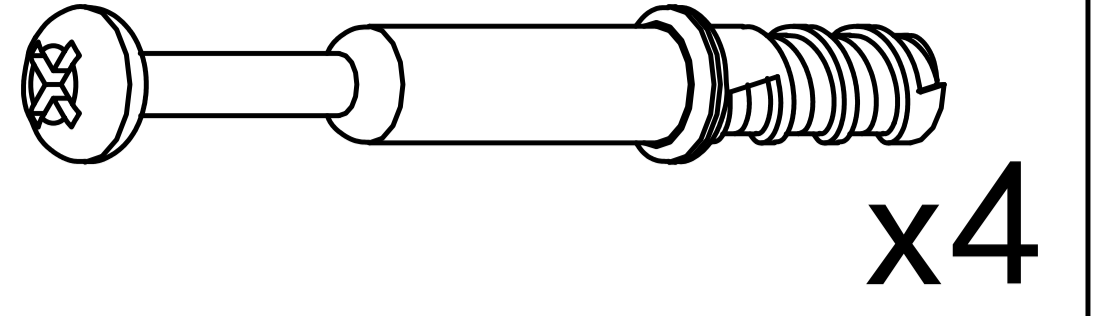


Step 3



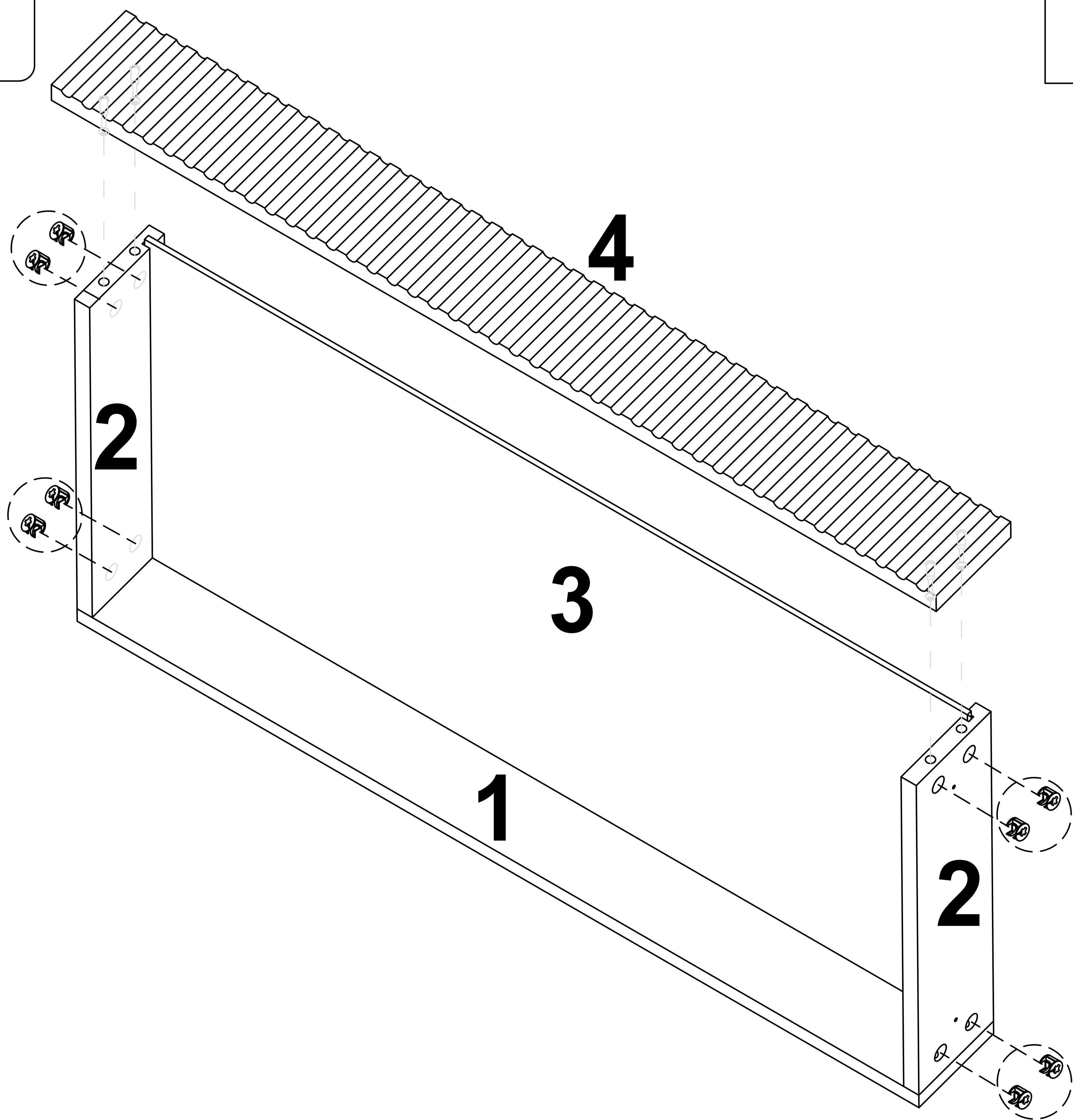
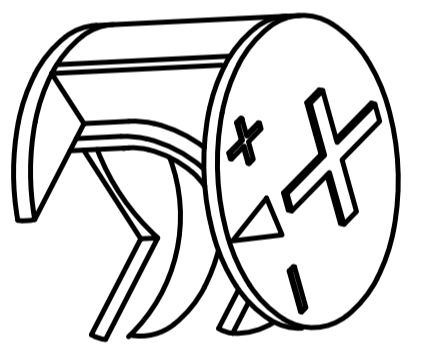
Step 4

A



Step 5

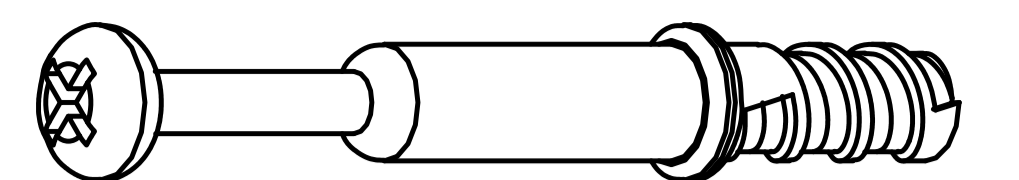
B



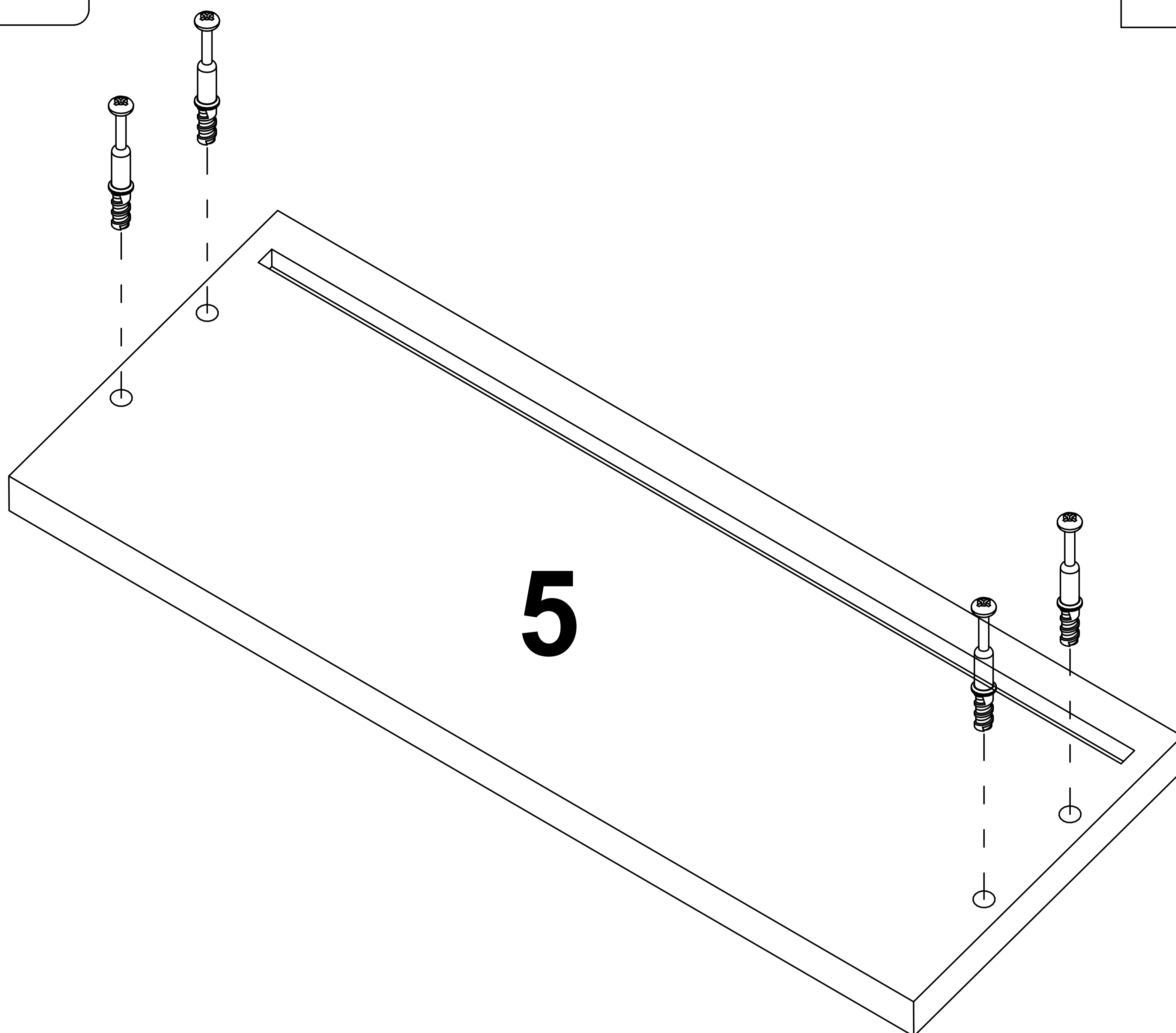
7

Step 6

A

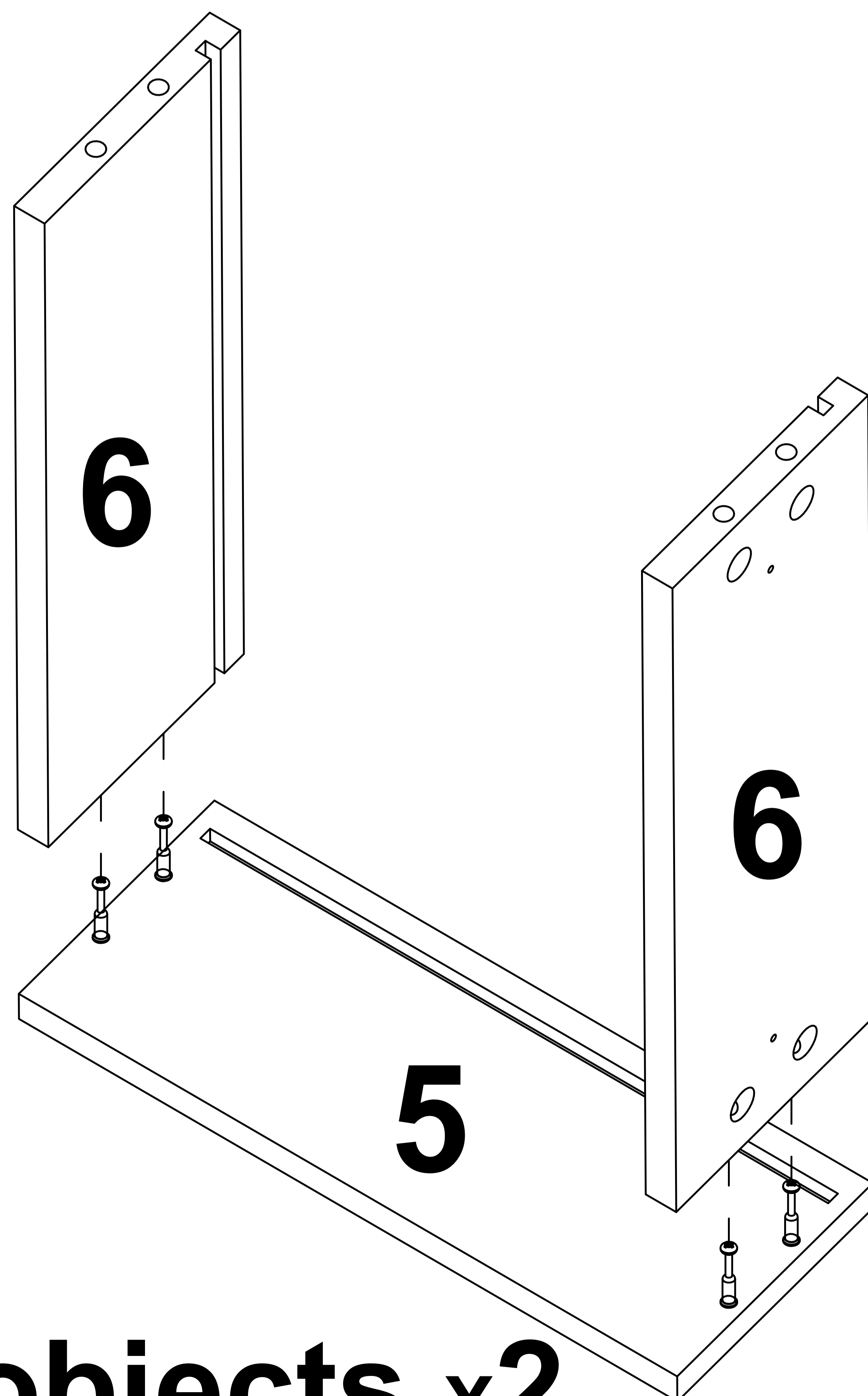


x8



Steps and objects x2

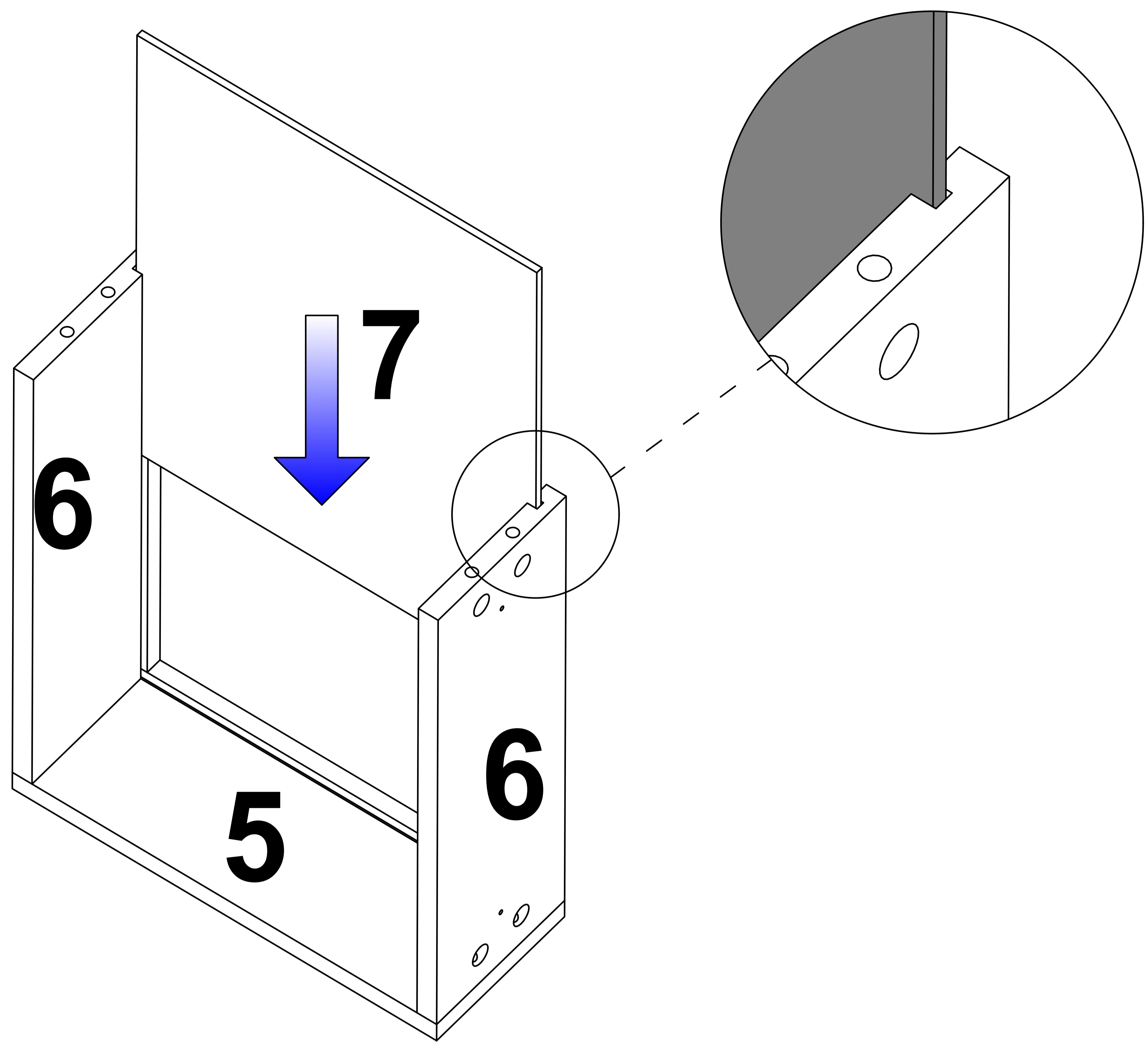
Step 7



Steps and objects x2

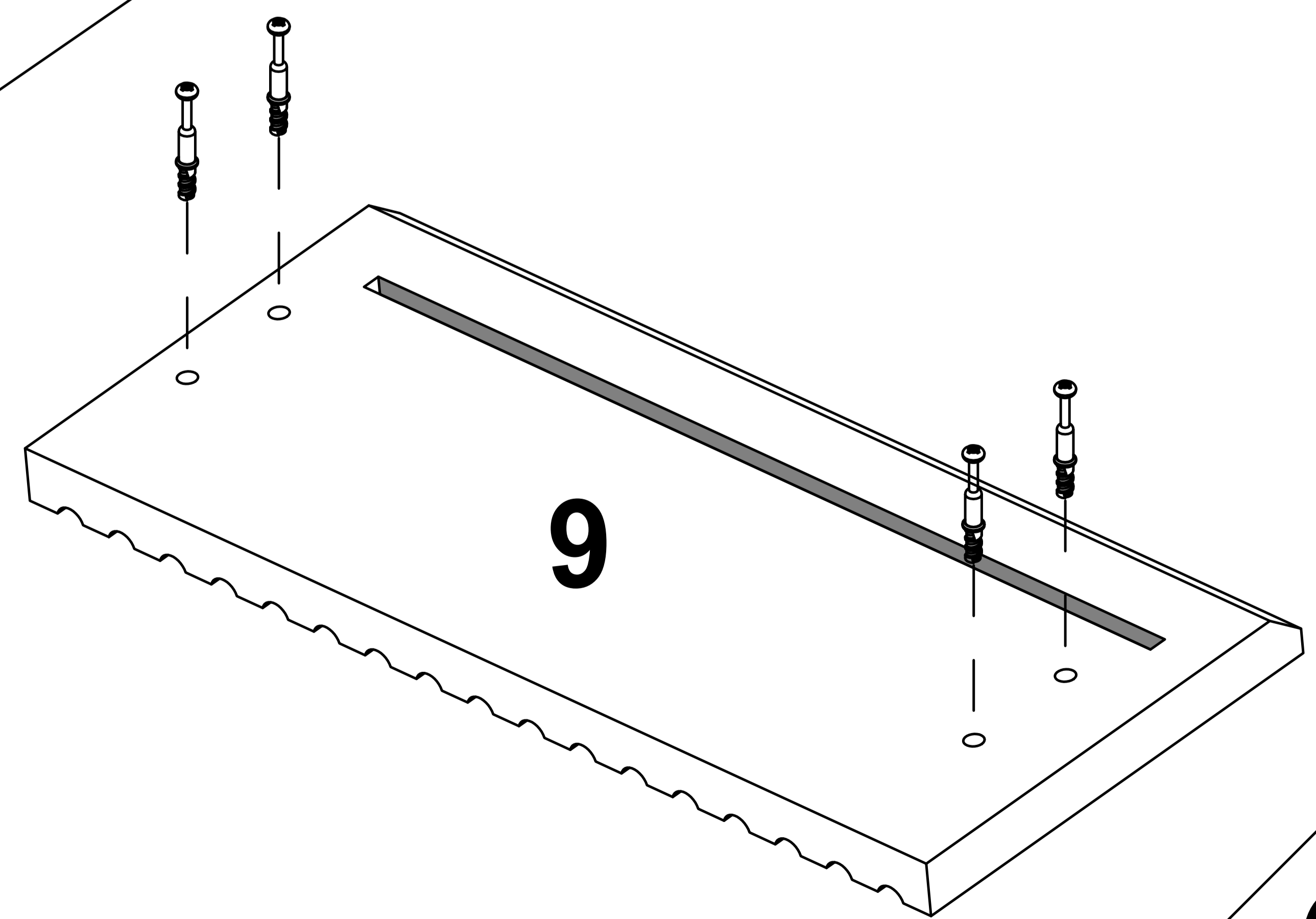
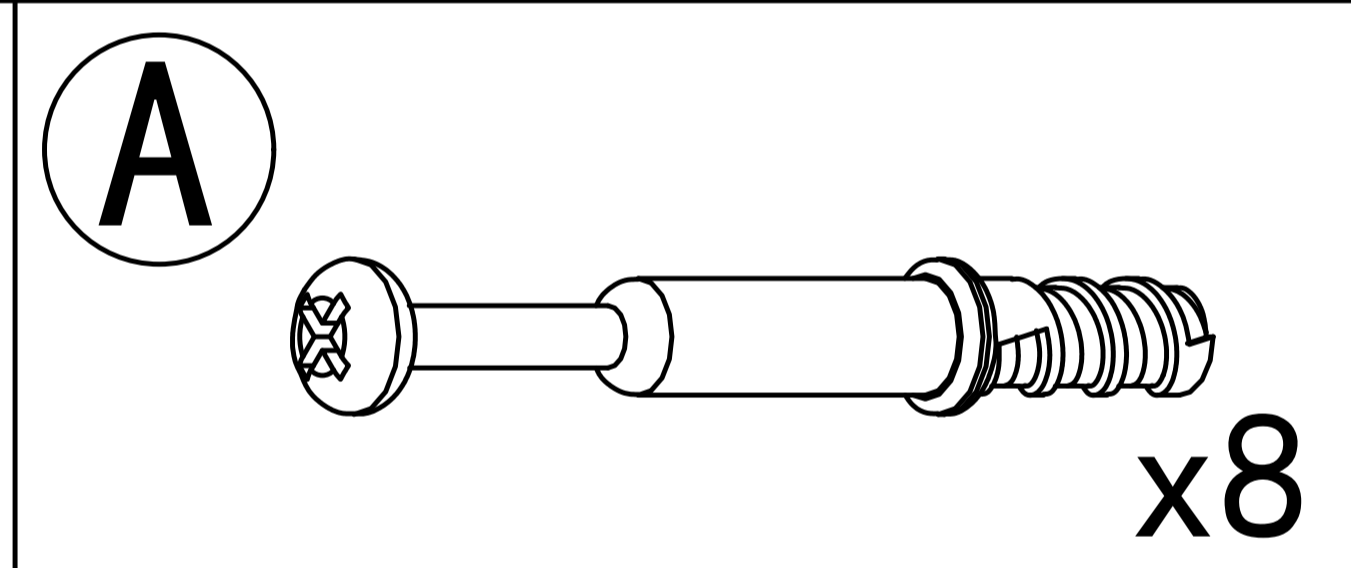
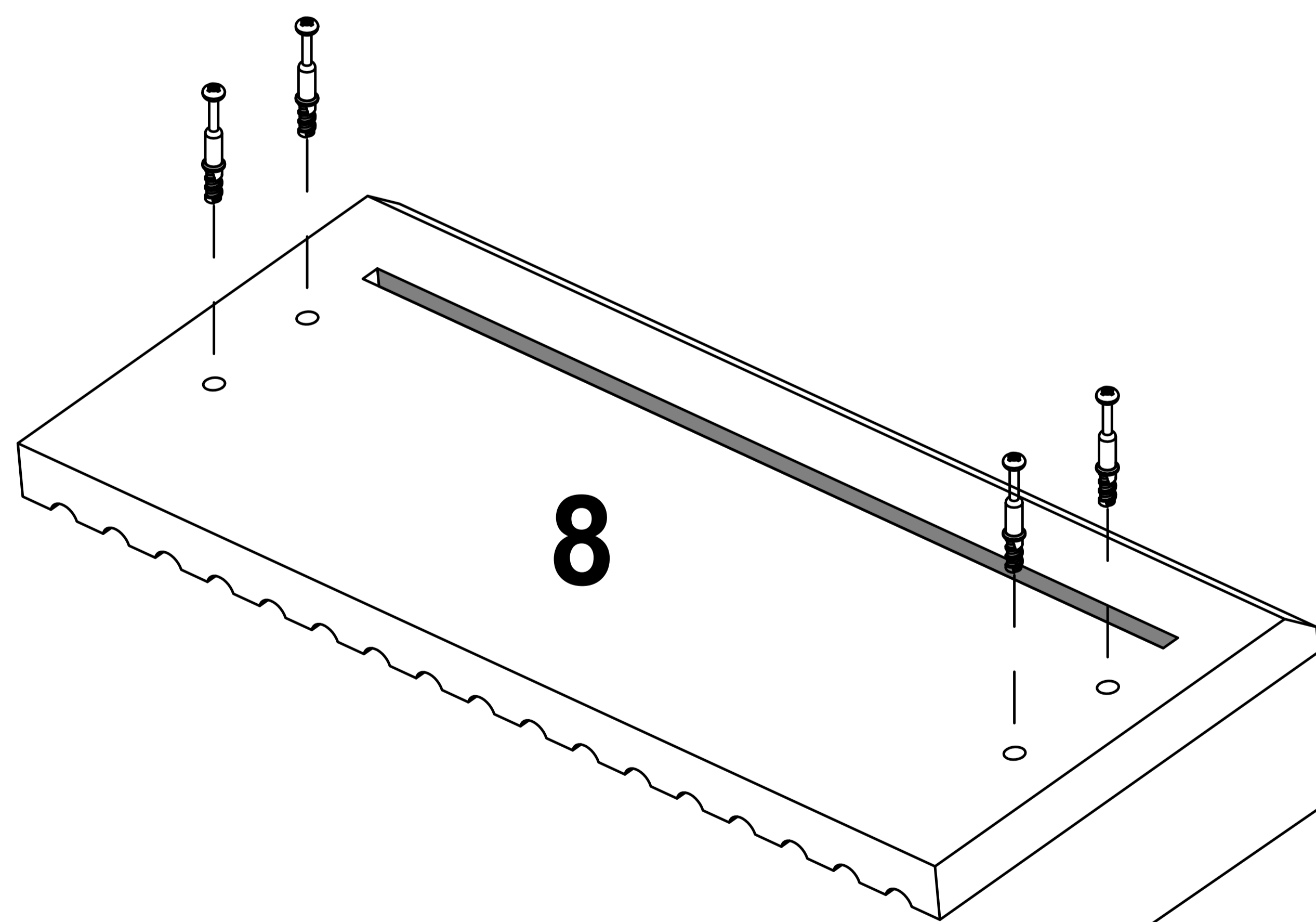
8

Step 8

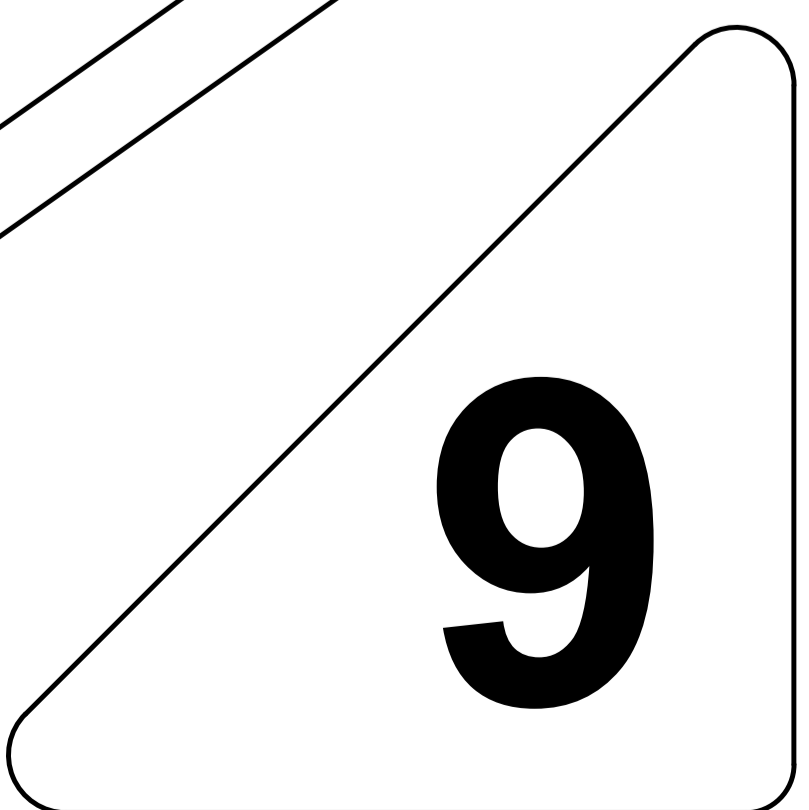


Steps and objects x2

Step 9

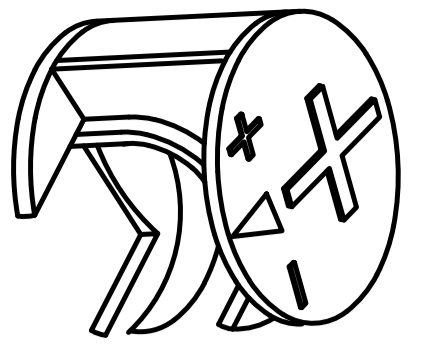


Step 10

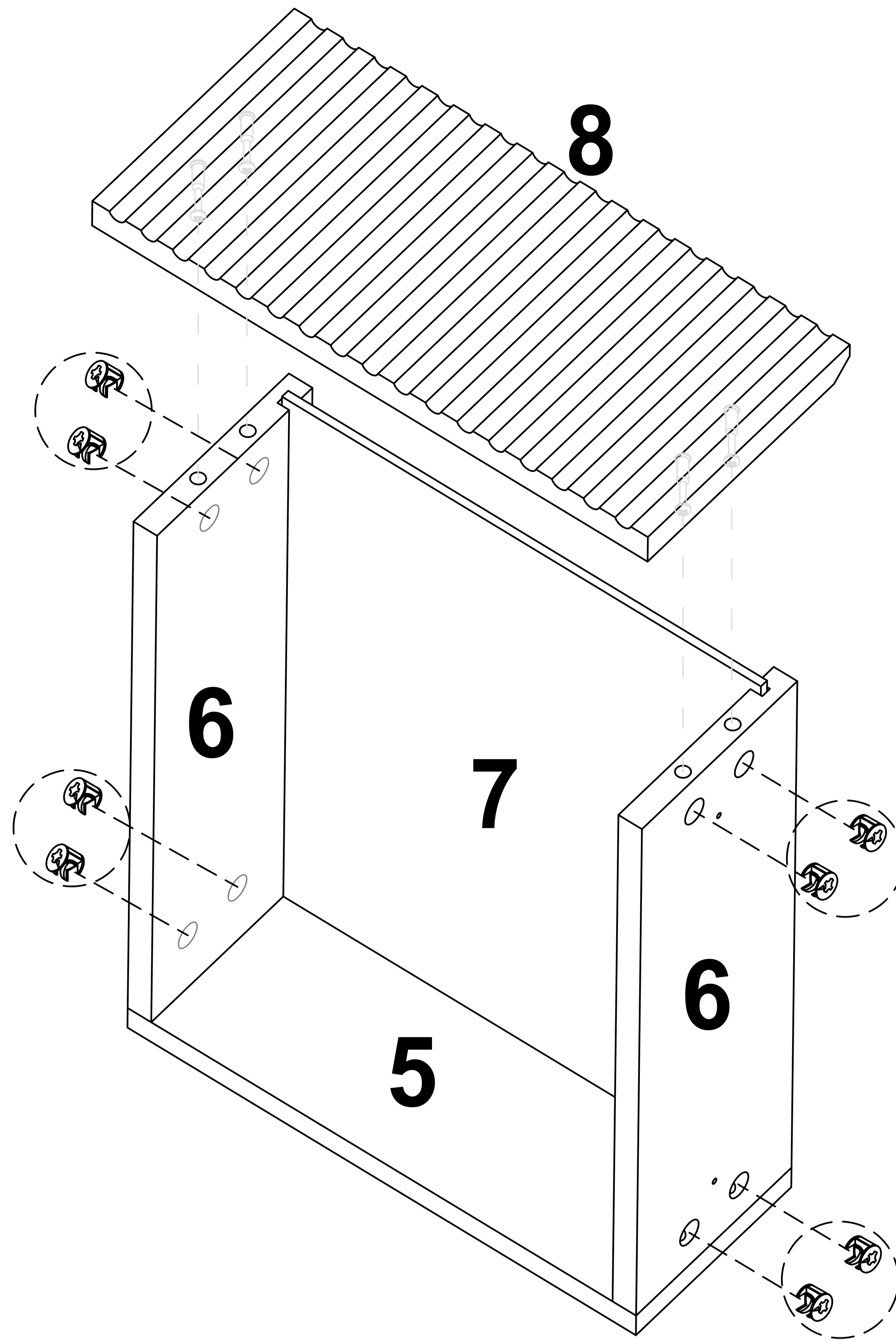


Step 11

B

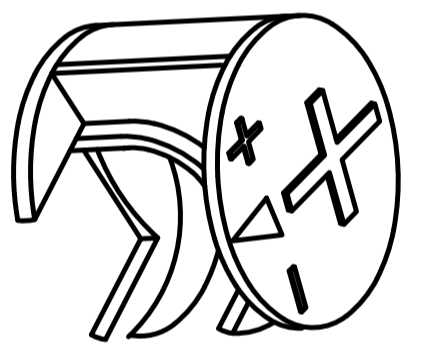


x8

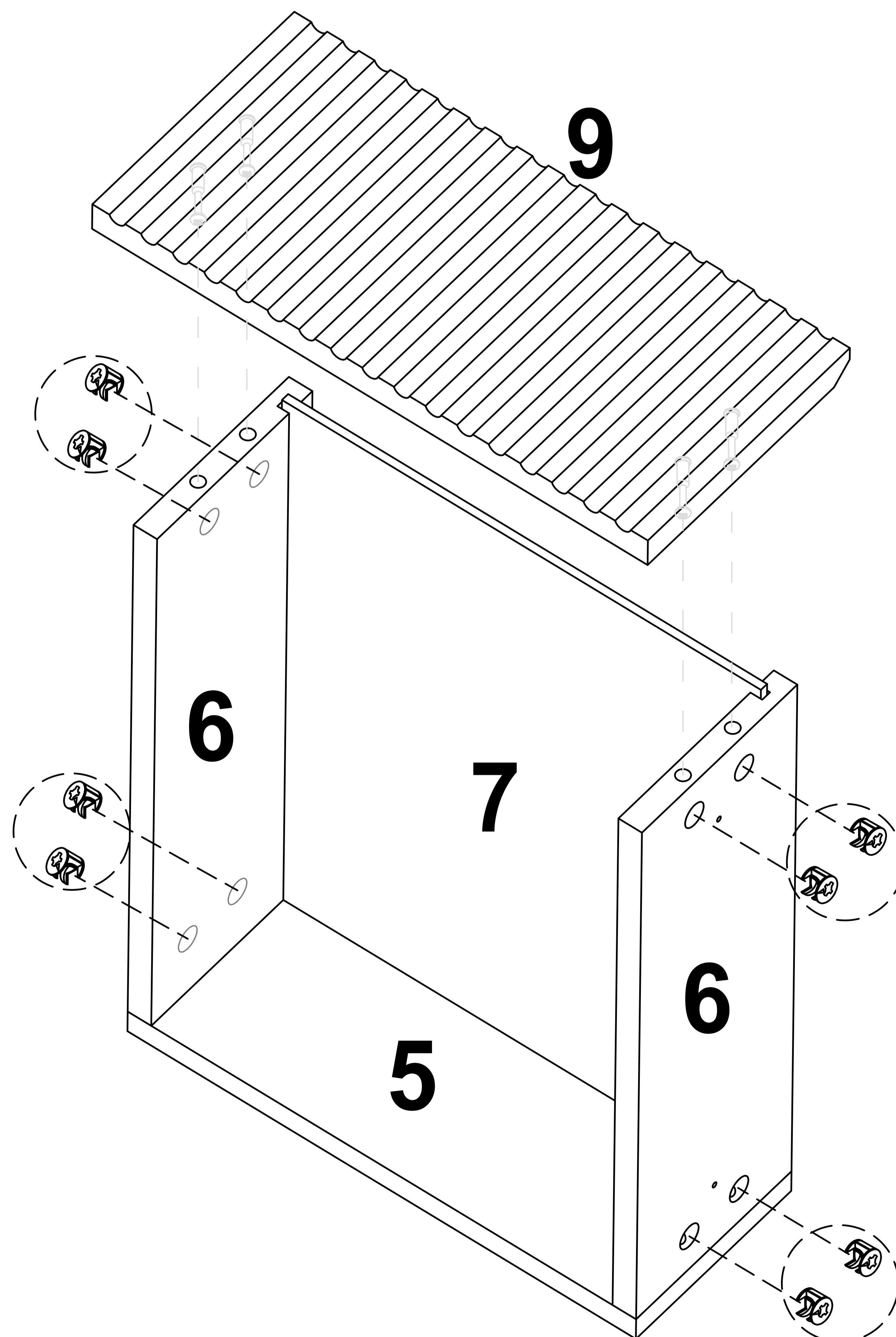


Step 12

B

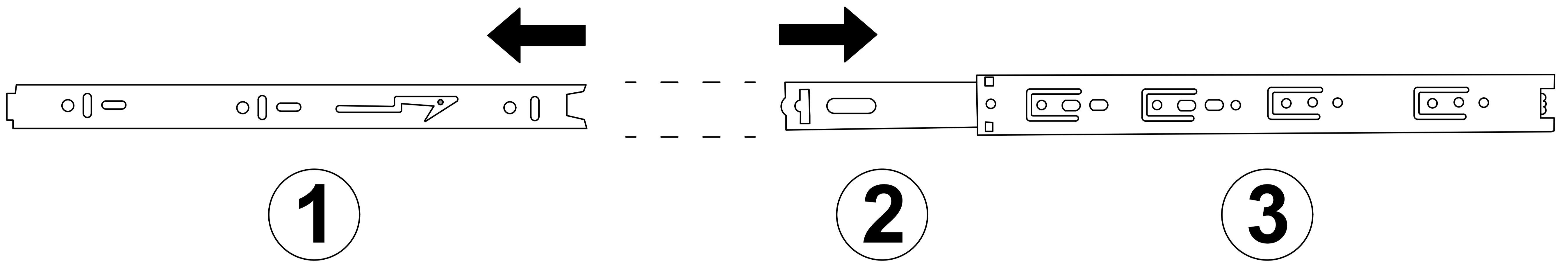


x8



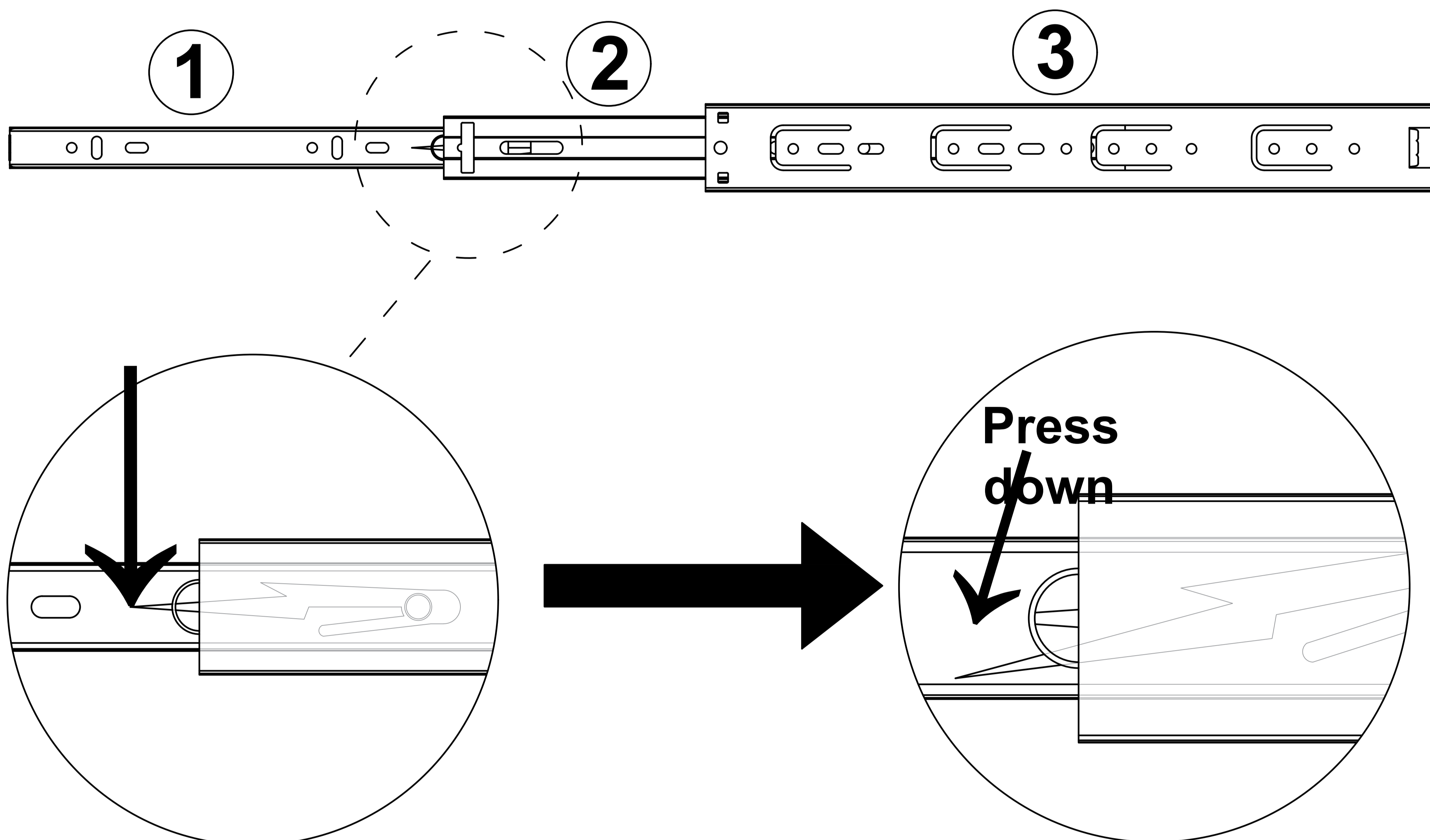
10

Drawer rail breakdown diagram



① Dismantle the schematic diagram

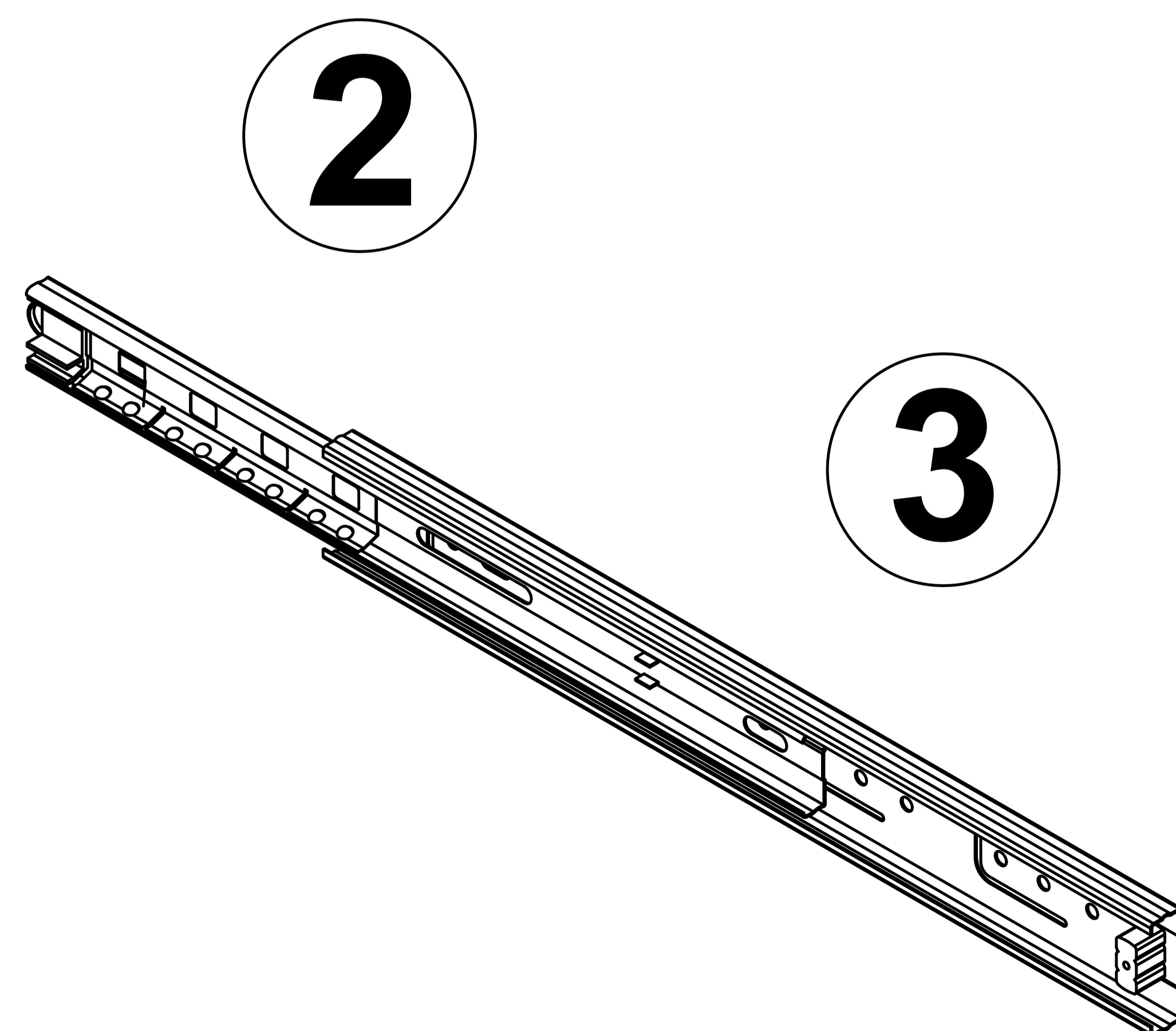
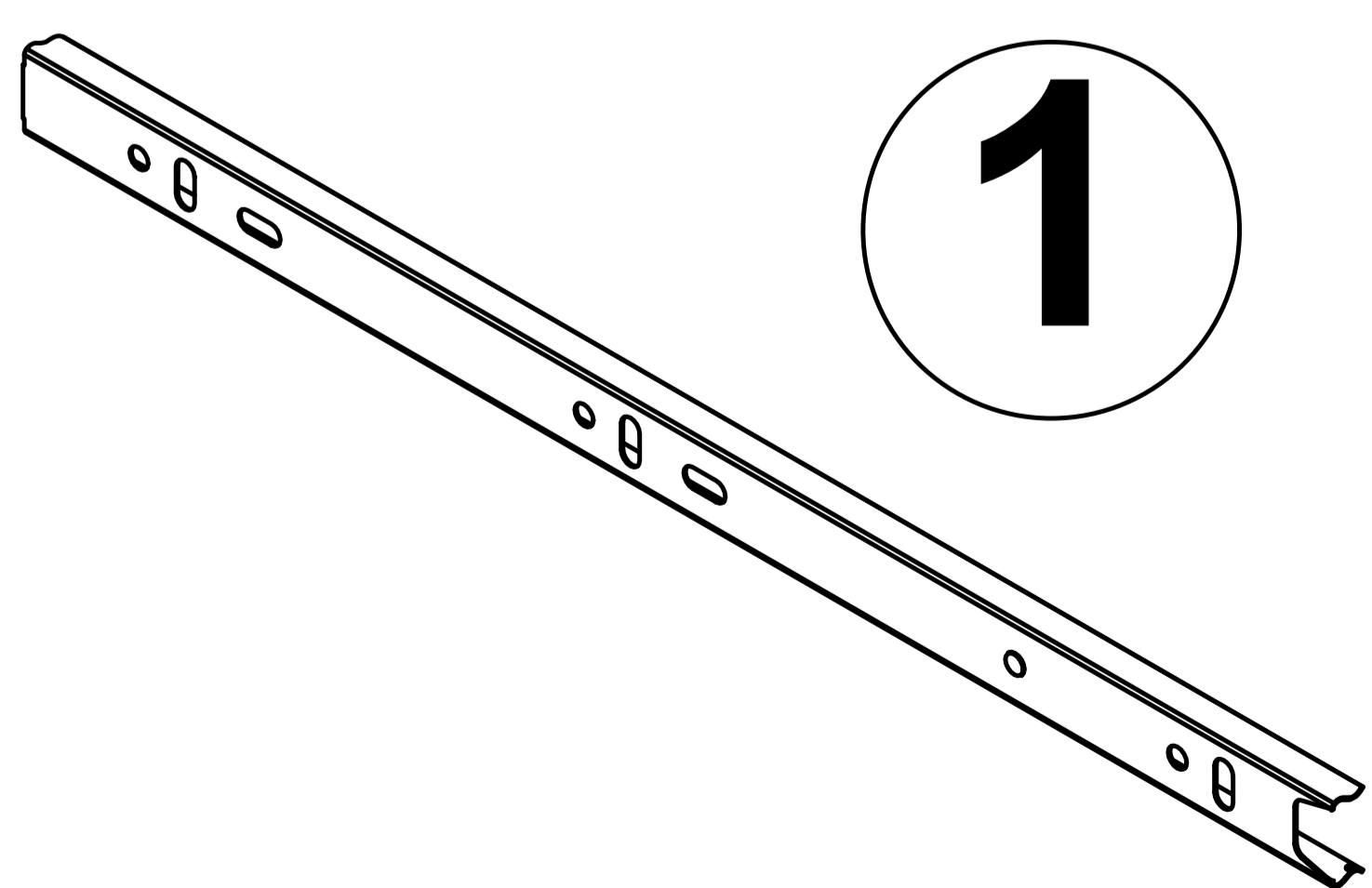
Step 1 : Pull the rails apart



Step 2 : Press the nylon button and pull out

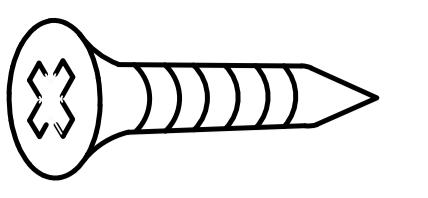
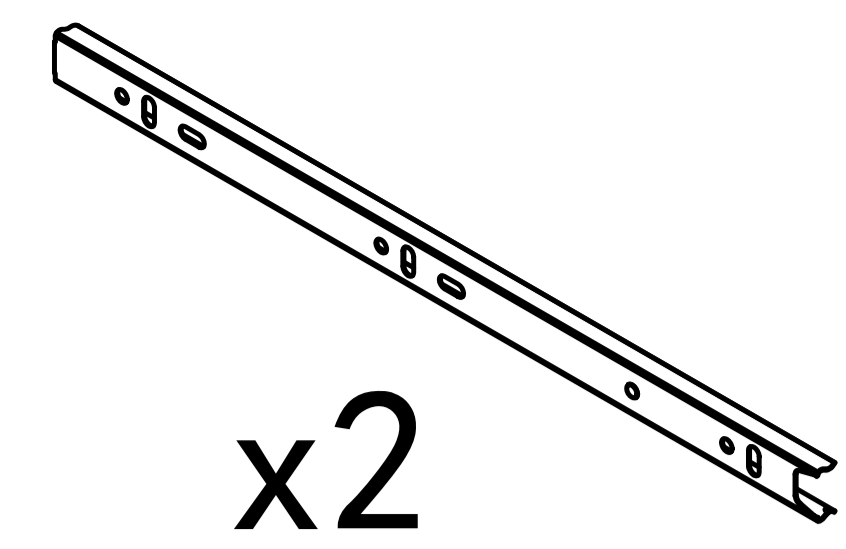
①.

Drawer rail decomposition completed schematic diagram



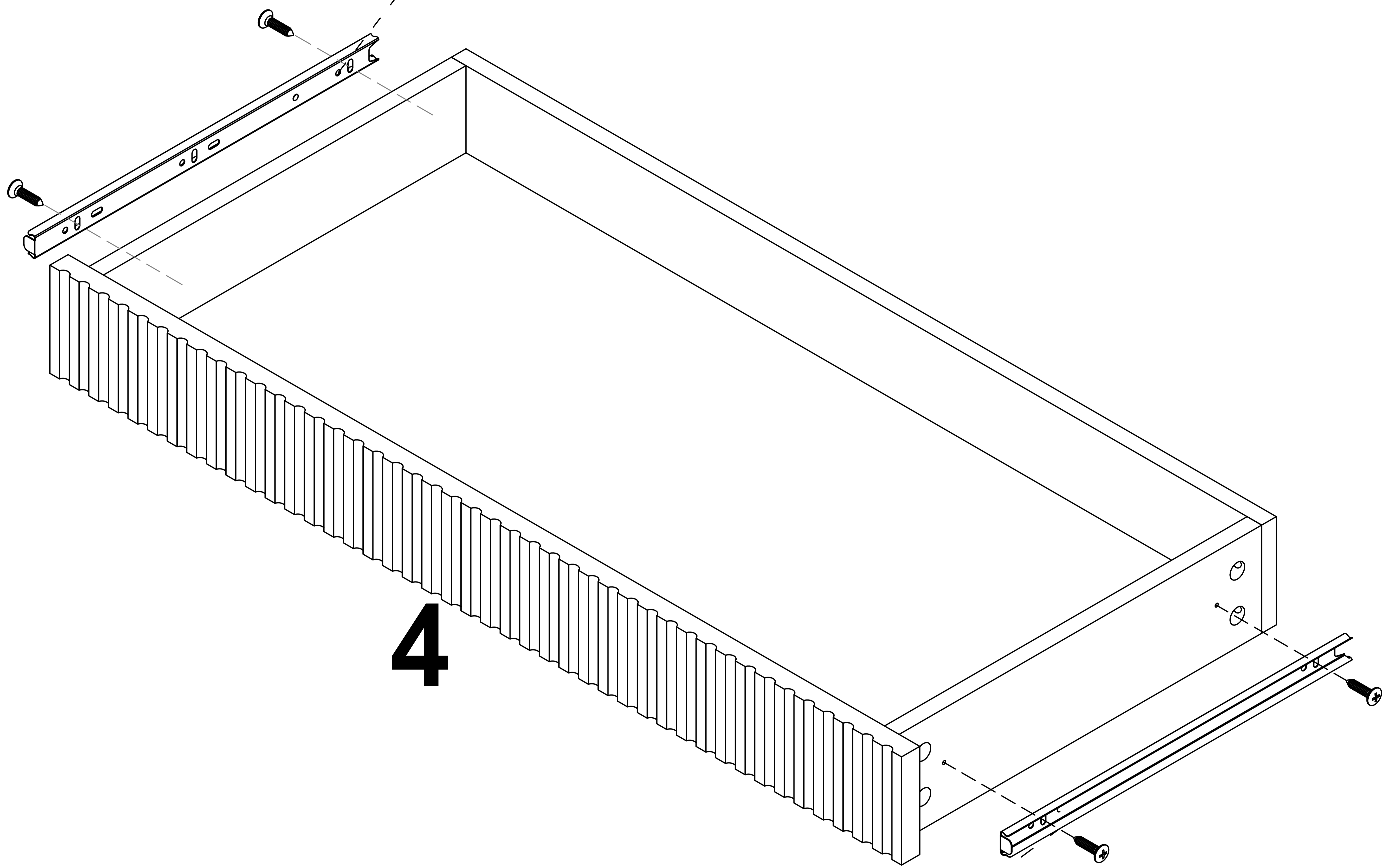
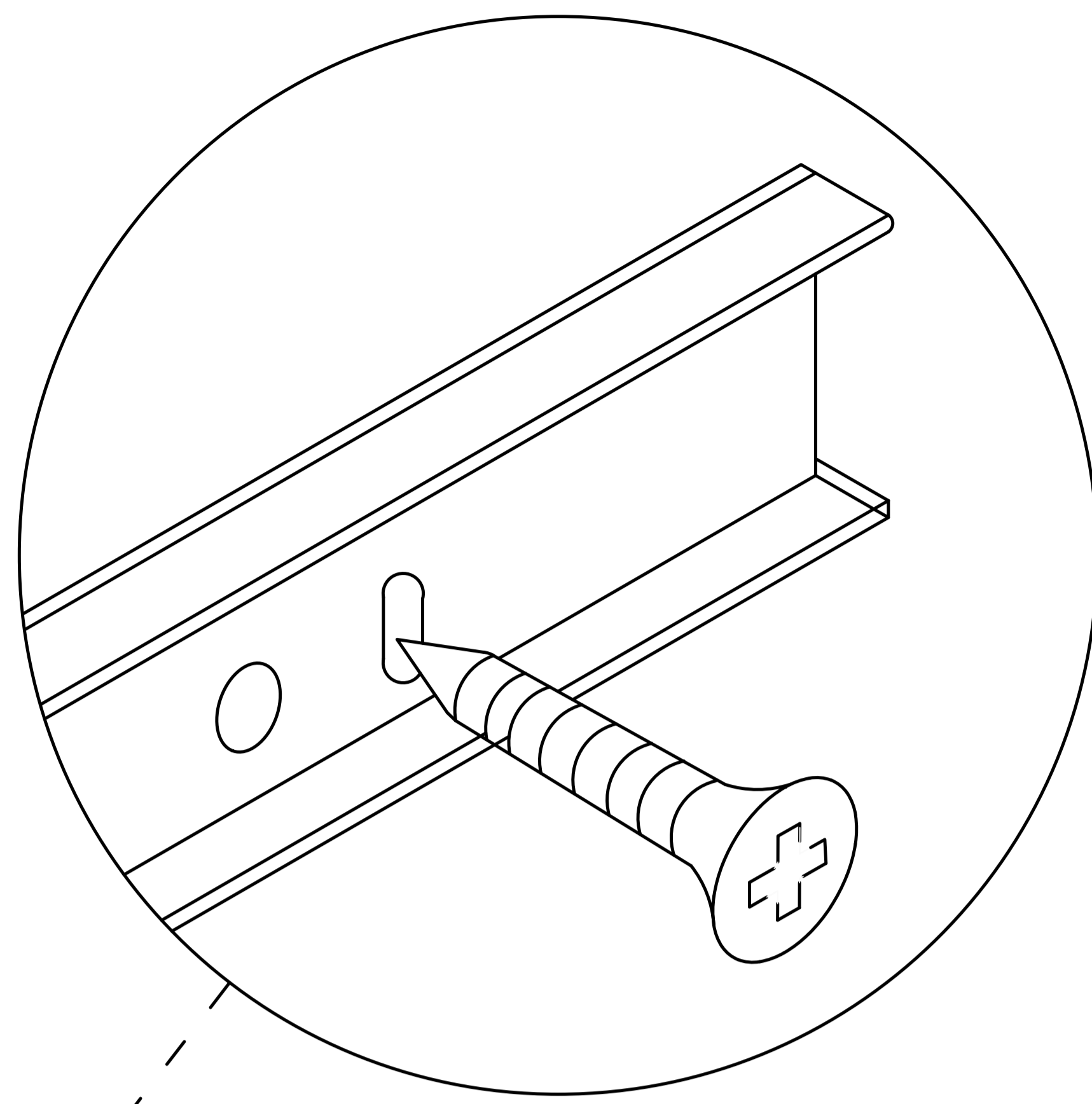
Step 13

E

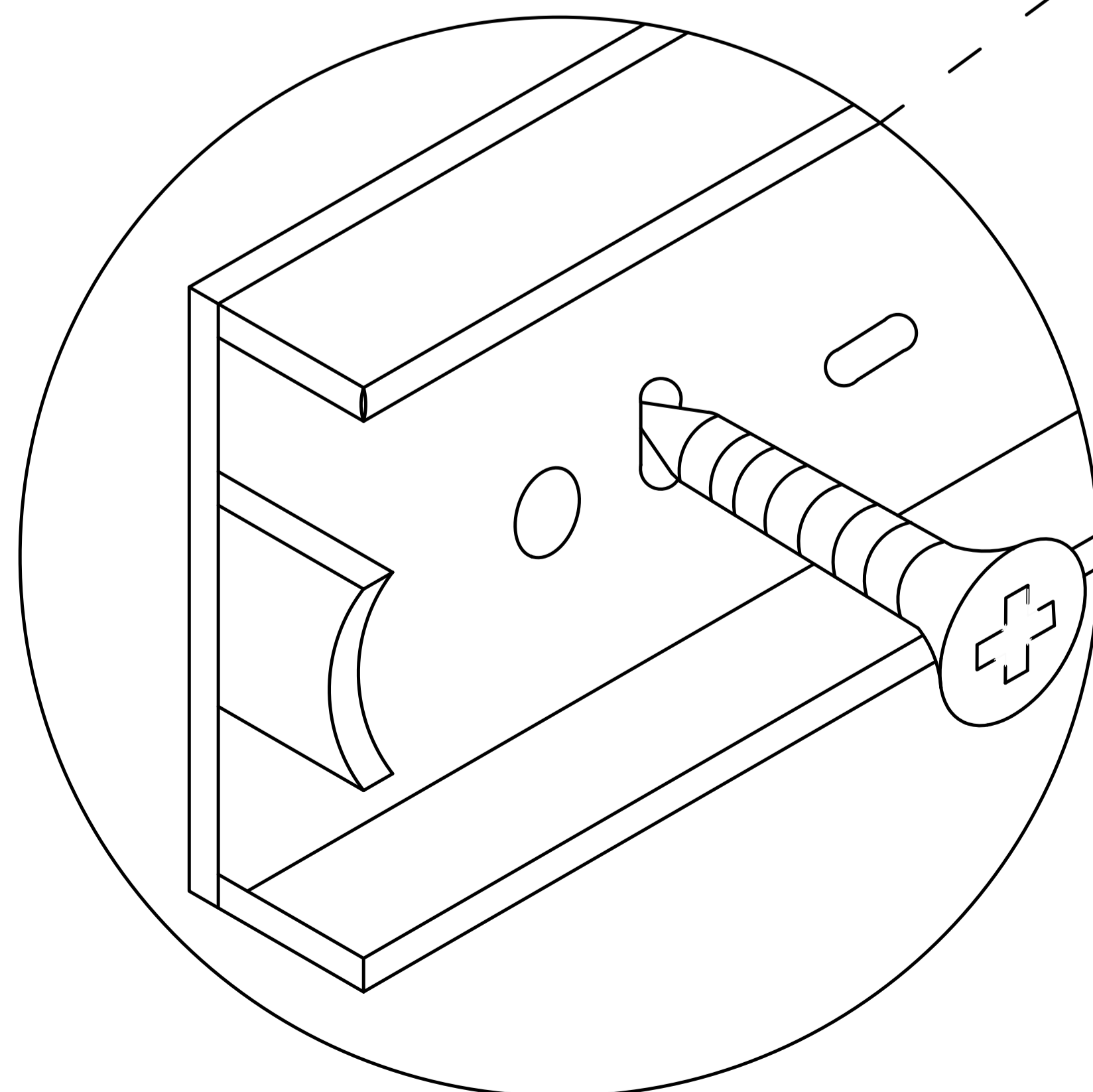


x2

x4



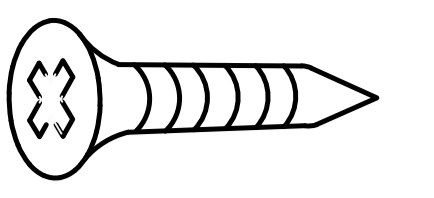
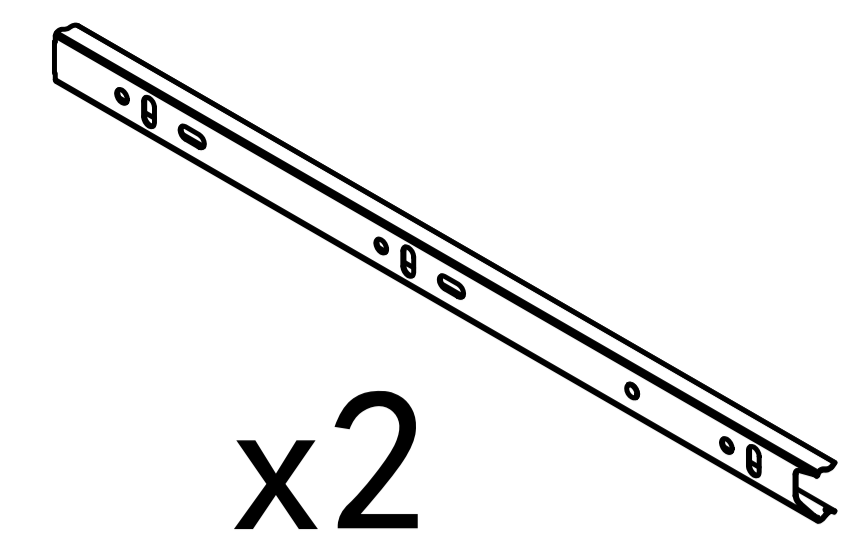
4



12

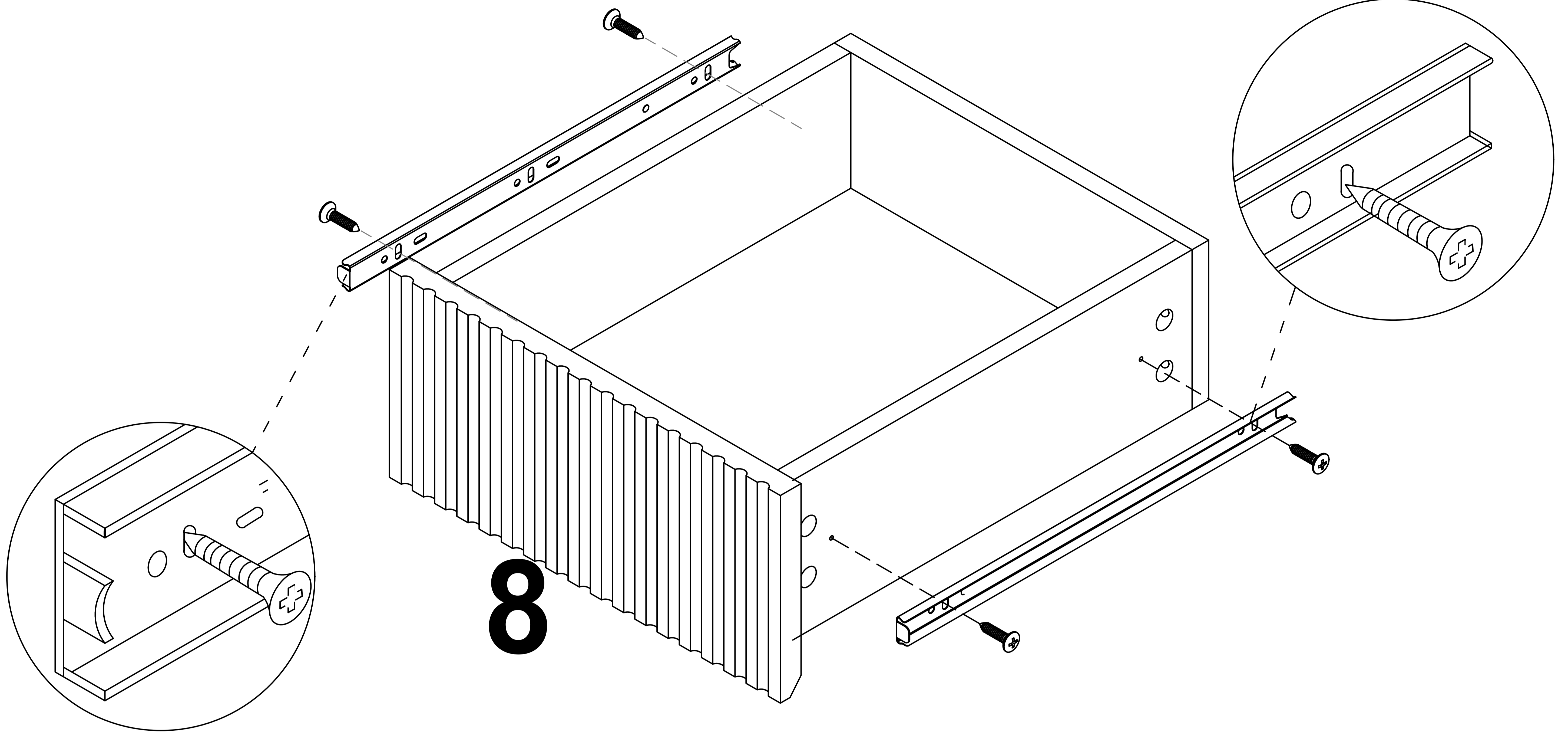
Step 14

E



x2

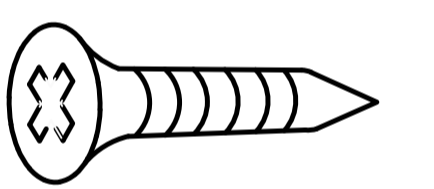
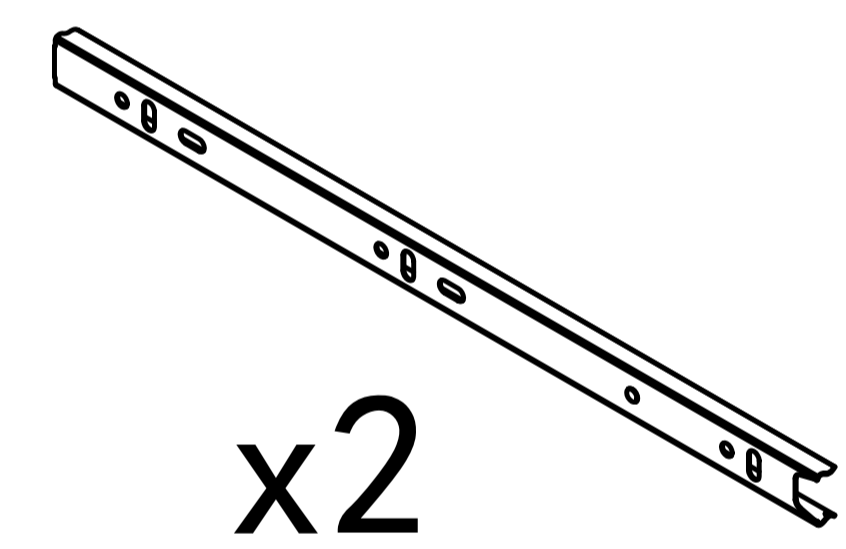
x4



8

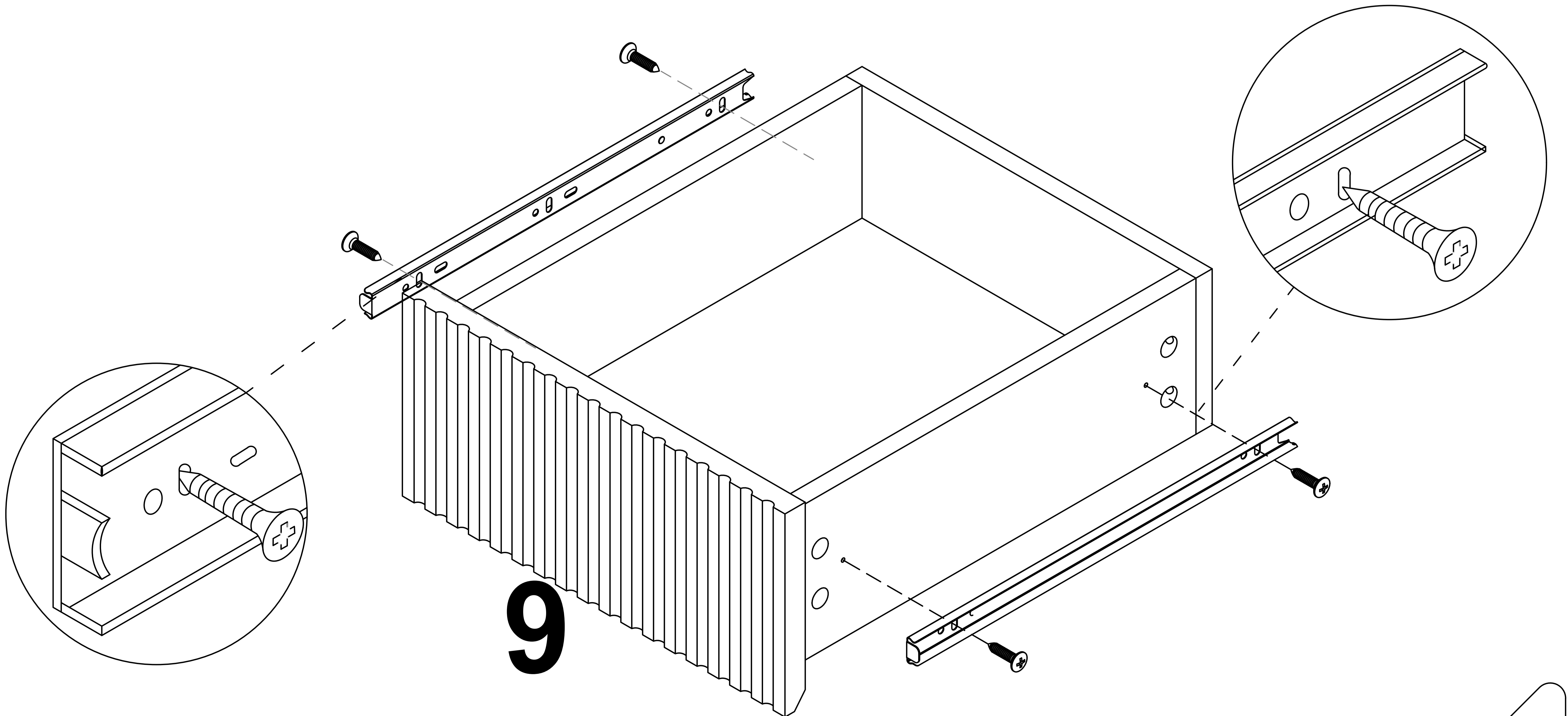
Step 15

E



x2

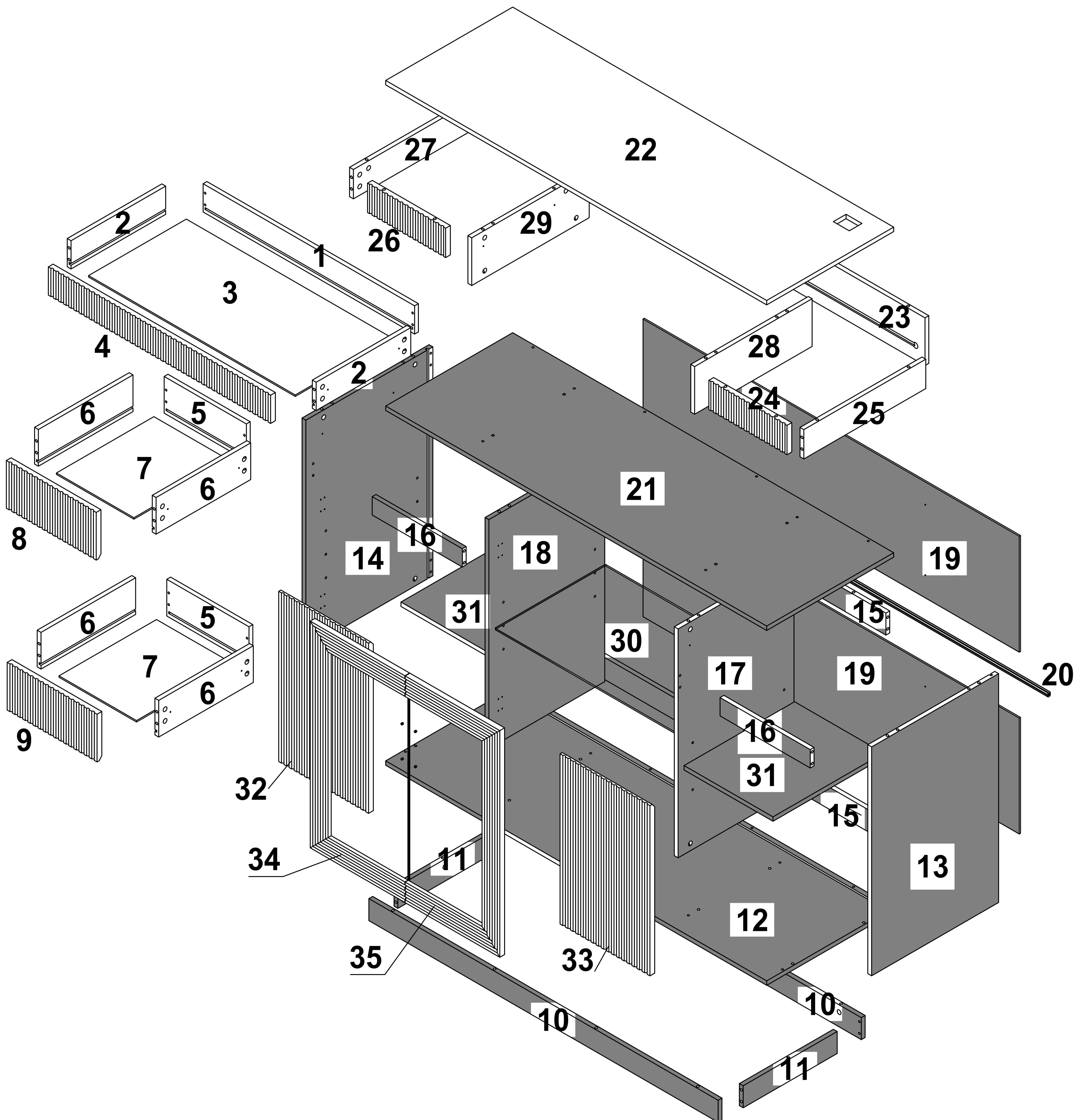
x4



9

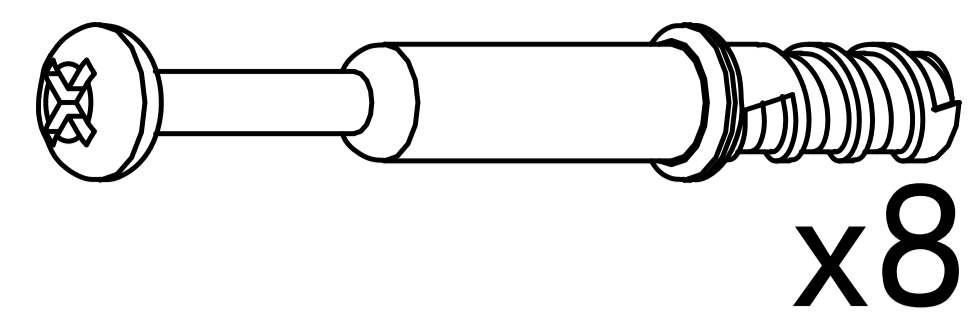
13

Product structure decomposition

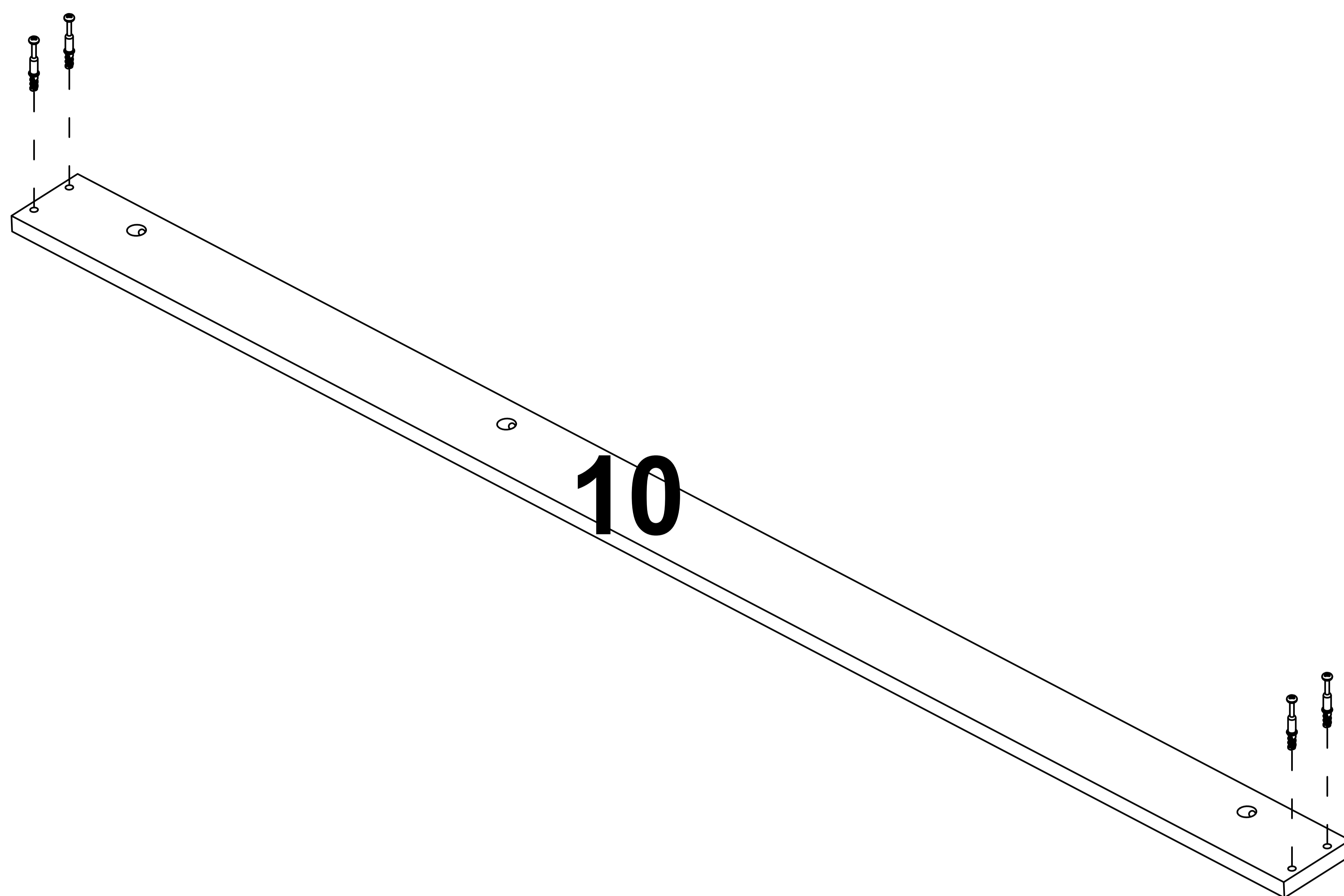


Step 16

A



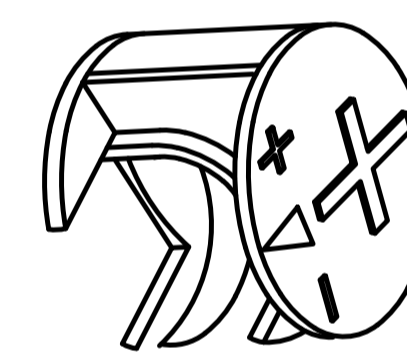
x8



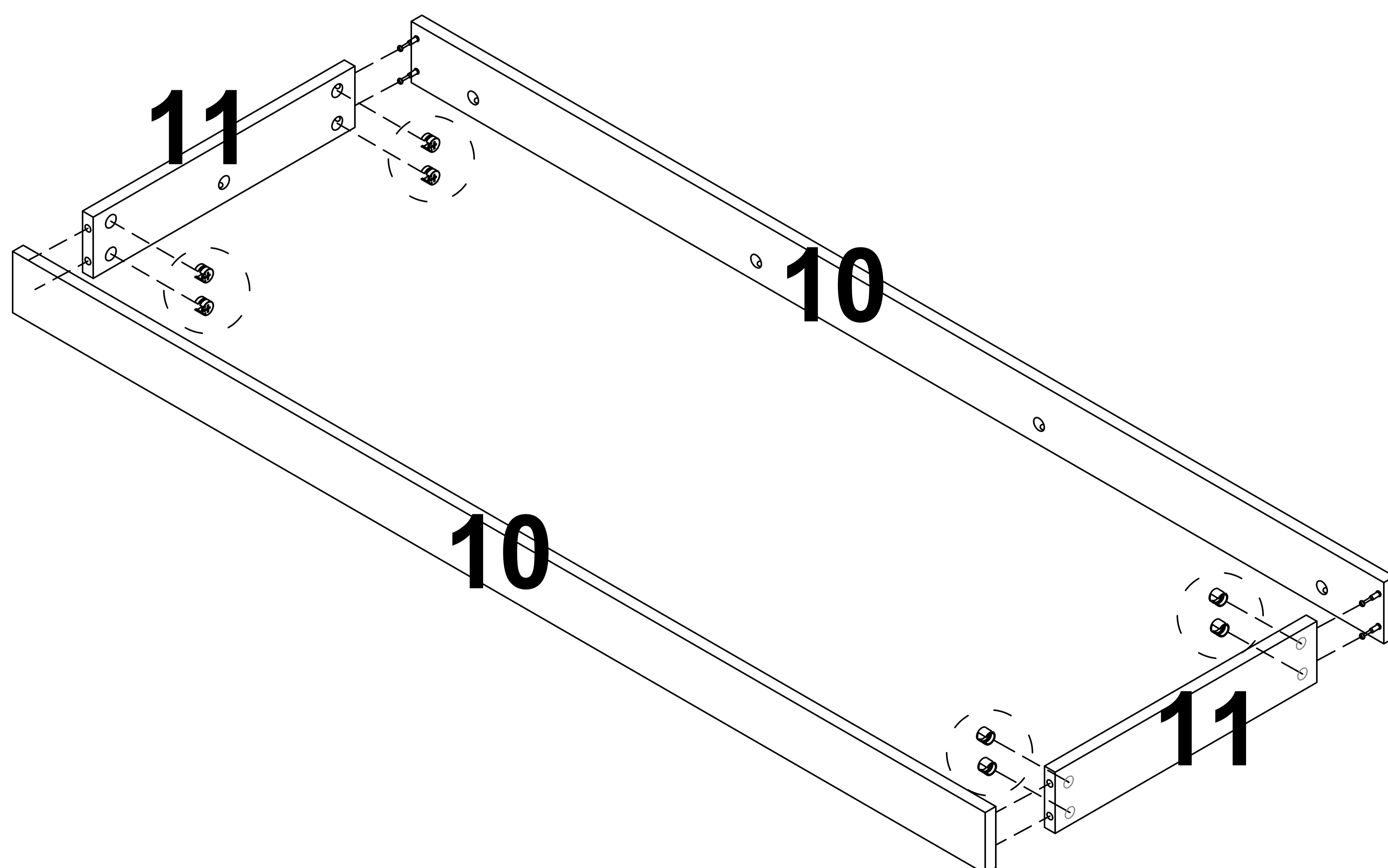
Steps and objects x2

Step 17

B



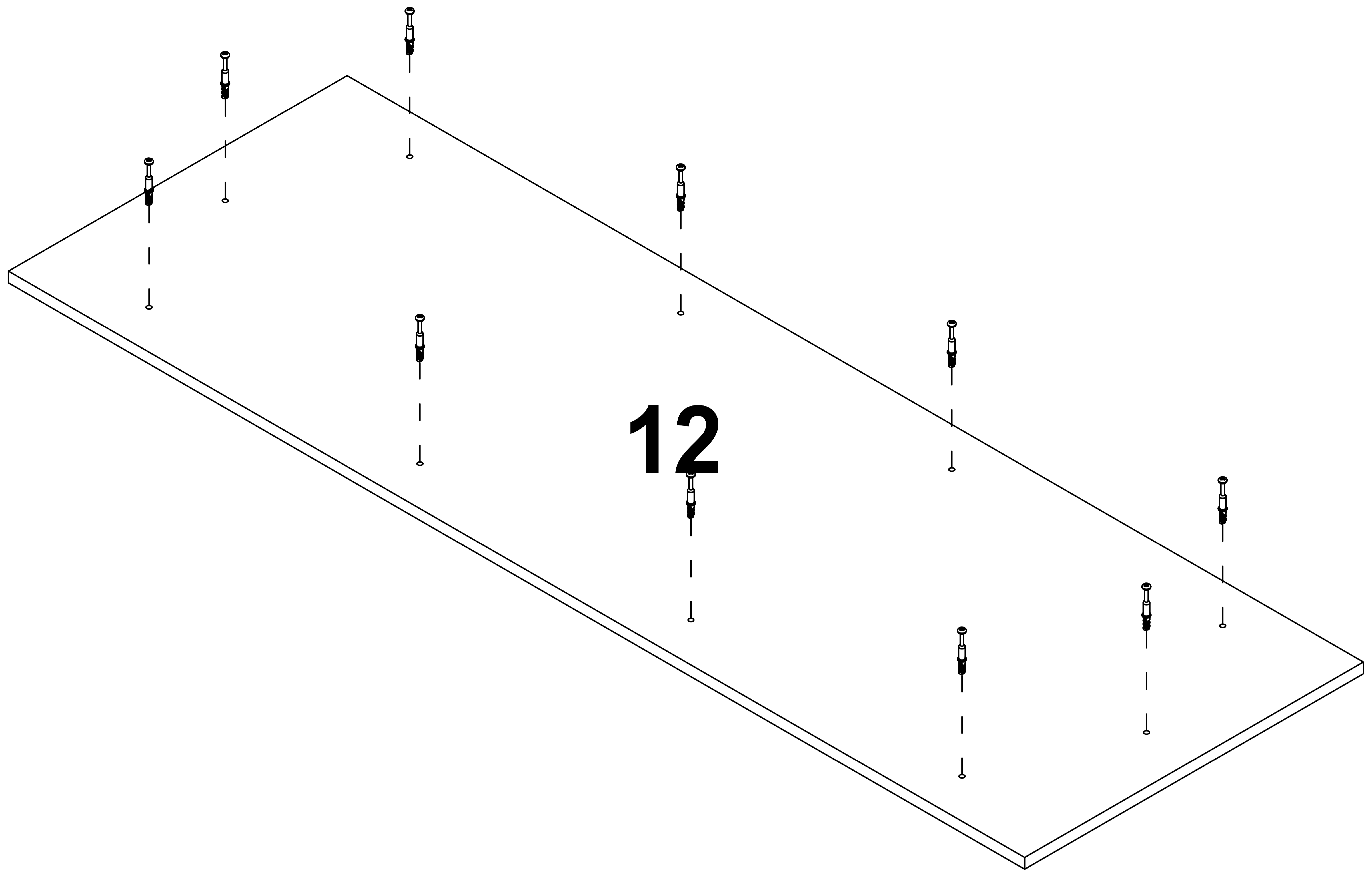
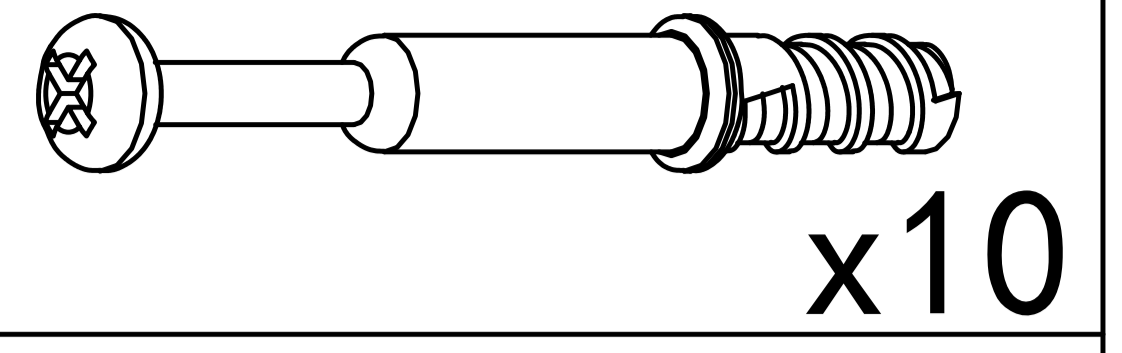
x8



15

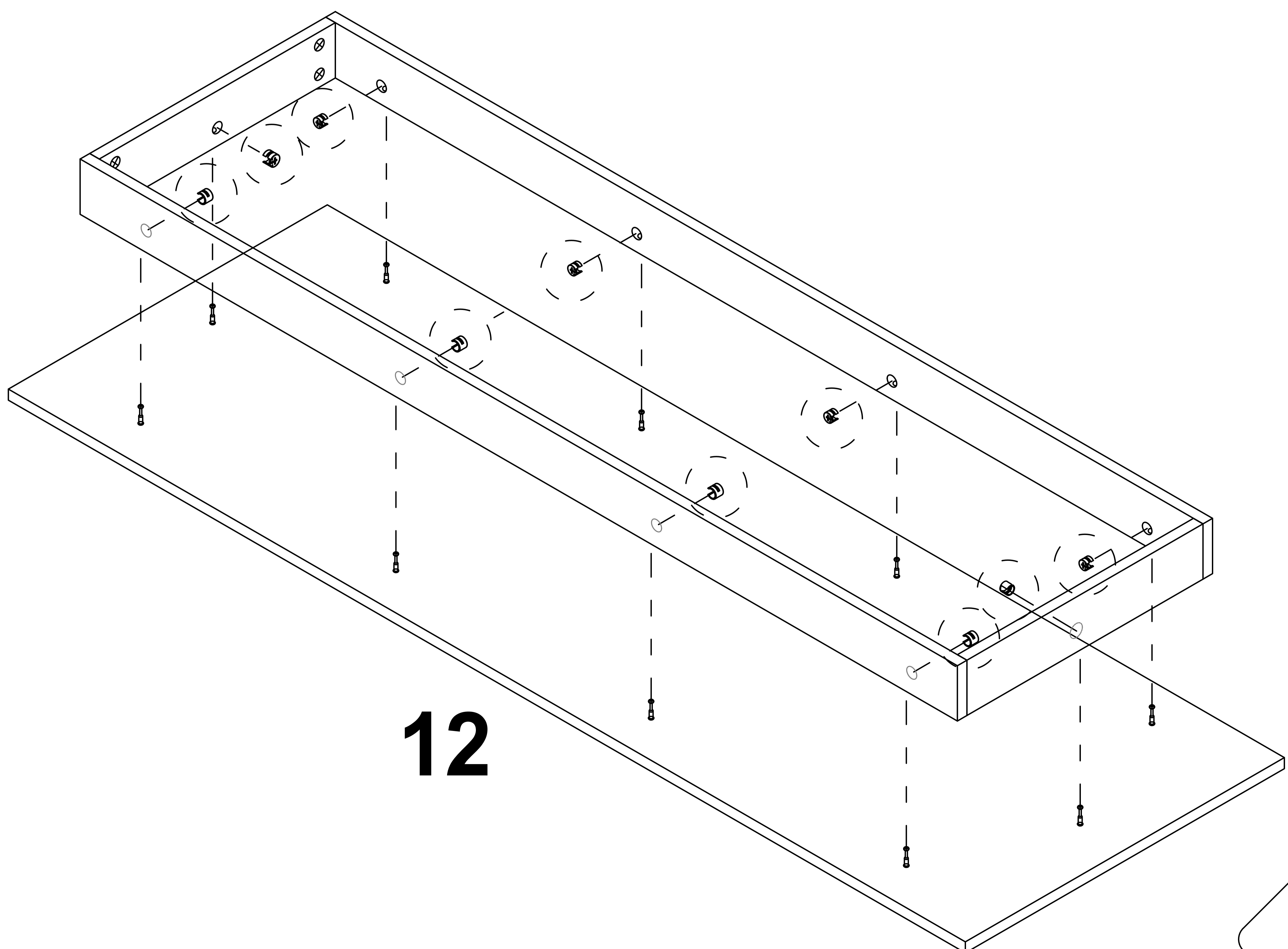
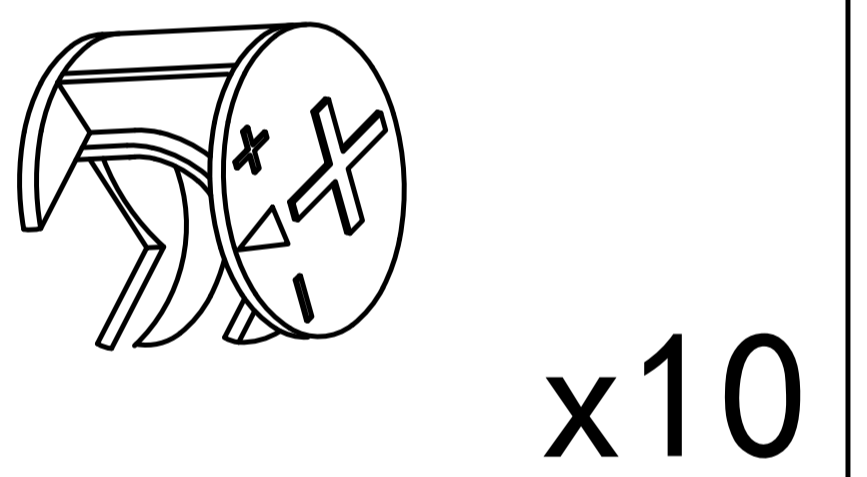
Step 18

A



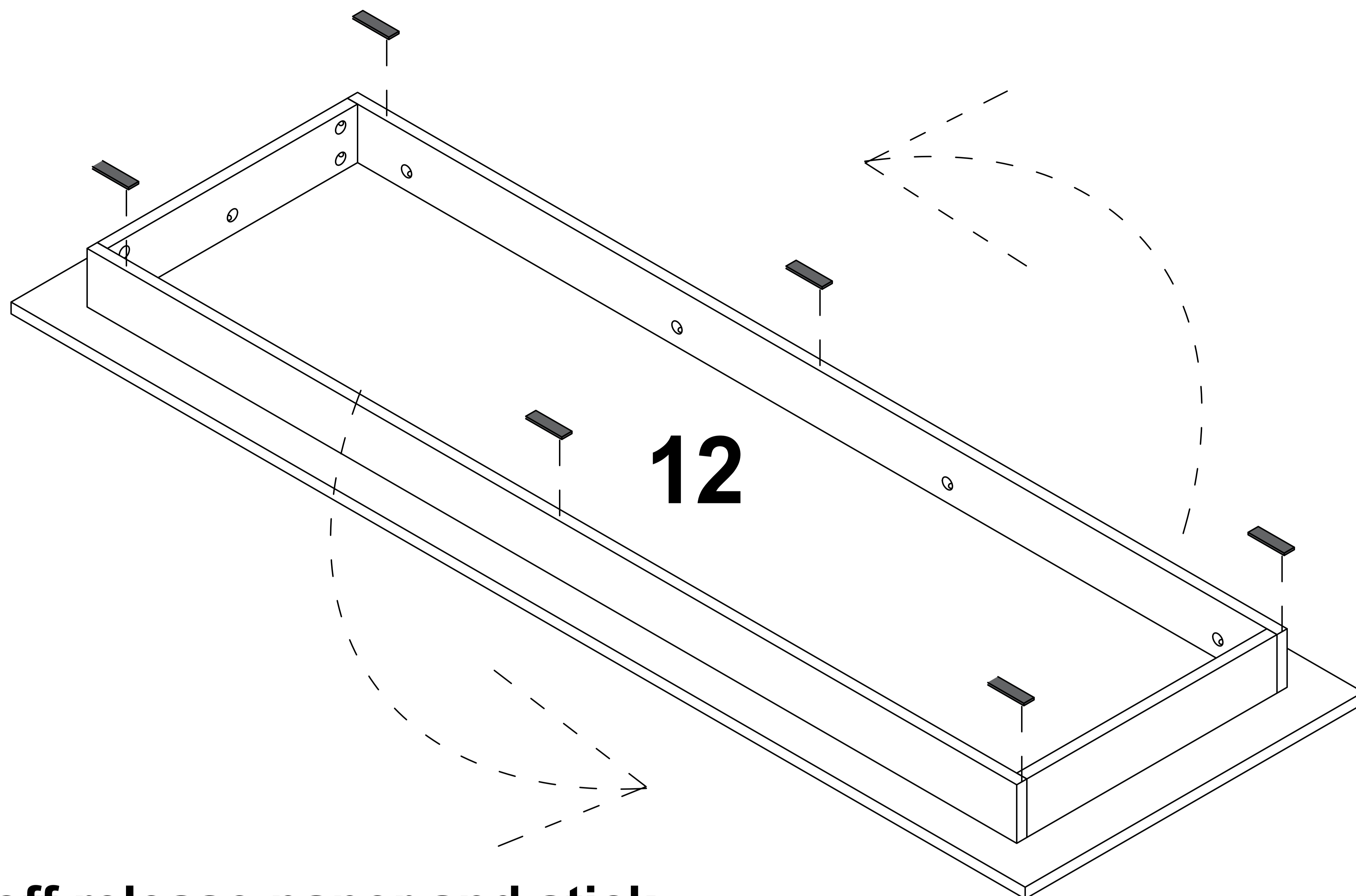
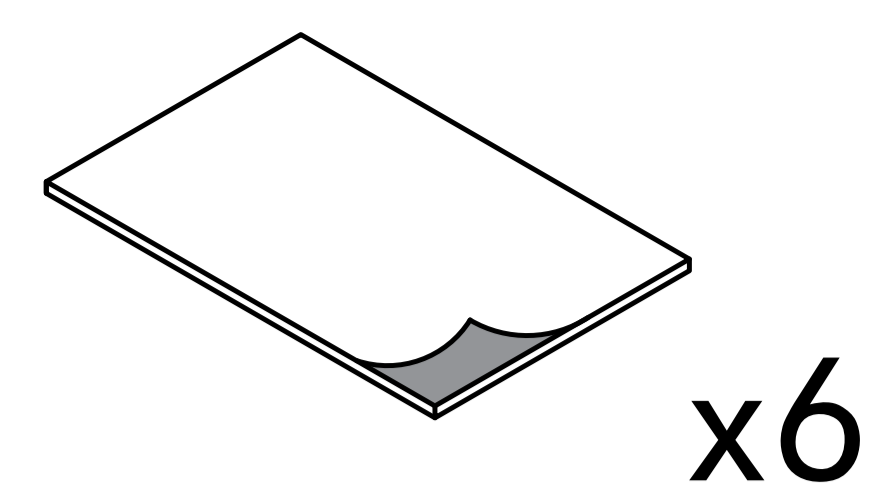
Step 19

B



Step 20

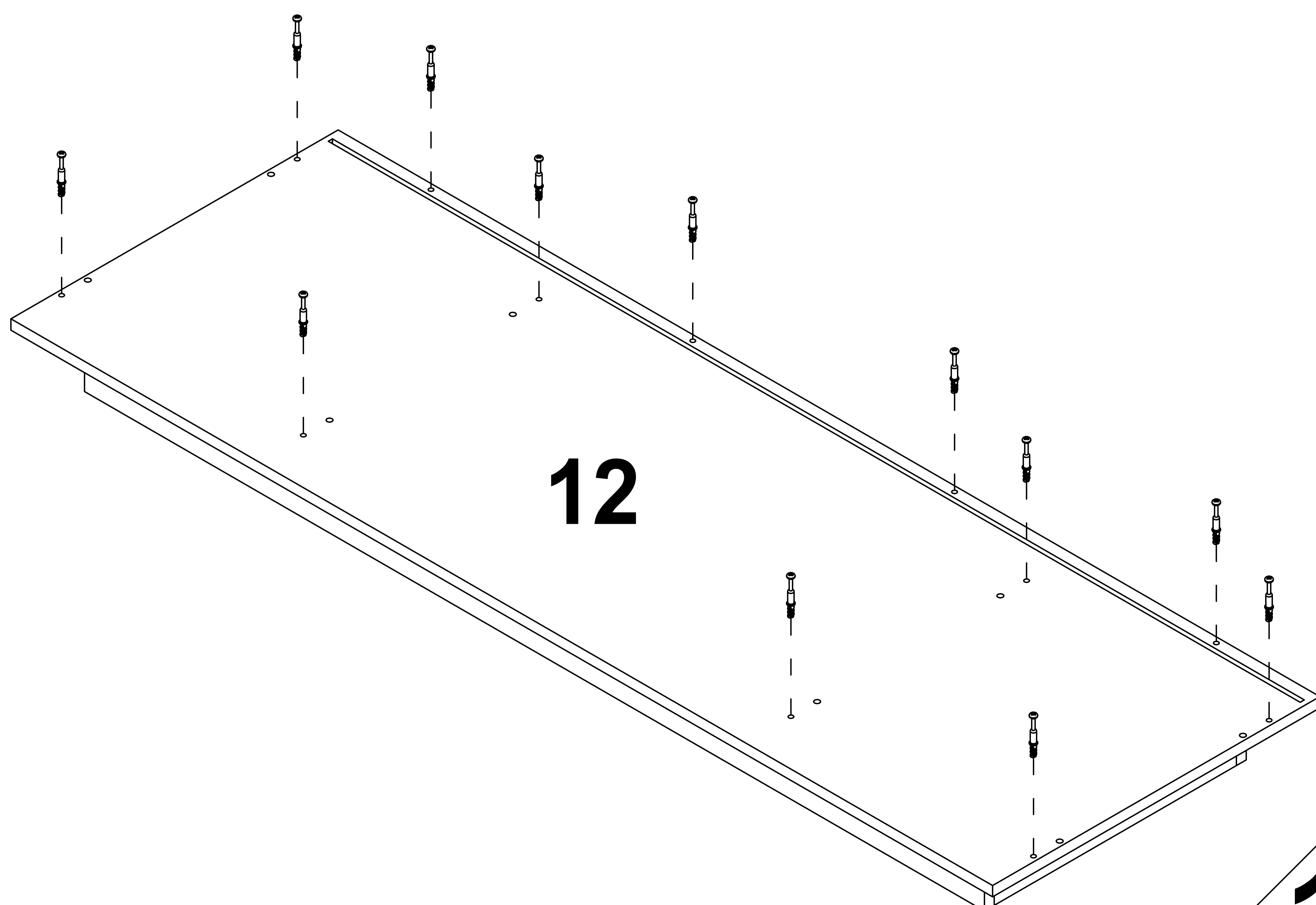
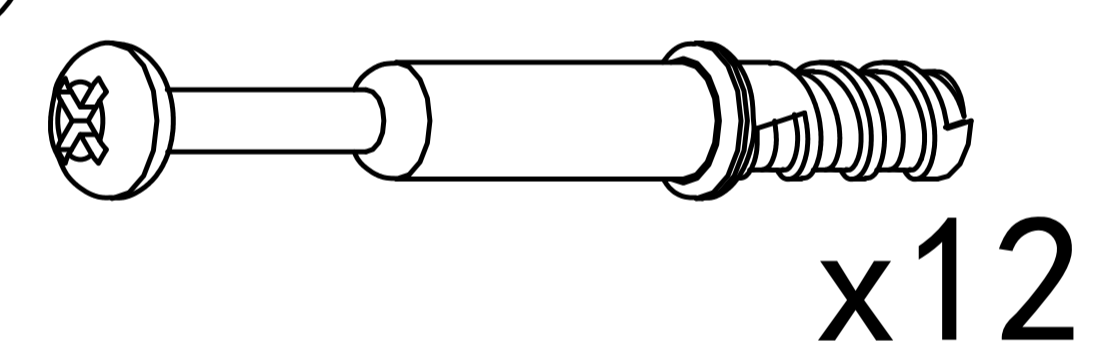
G



Tear off release paper and stick the black foot pad on the board

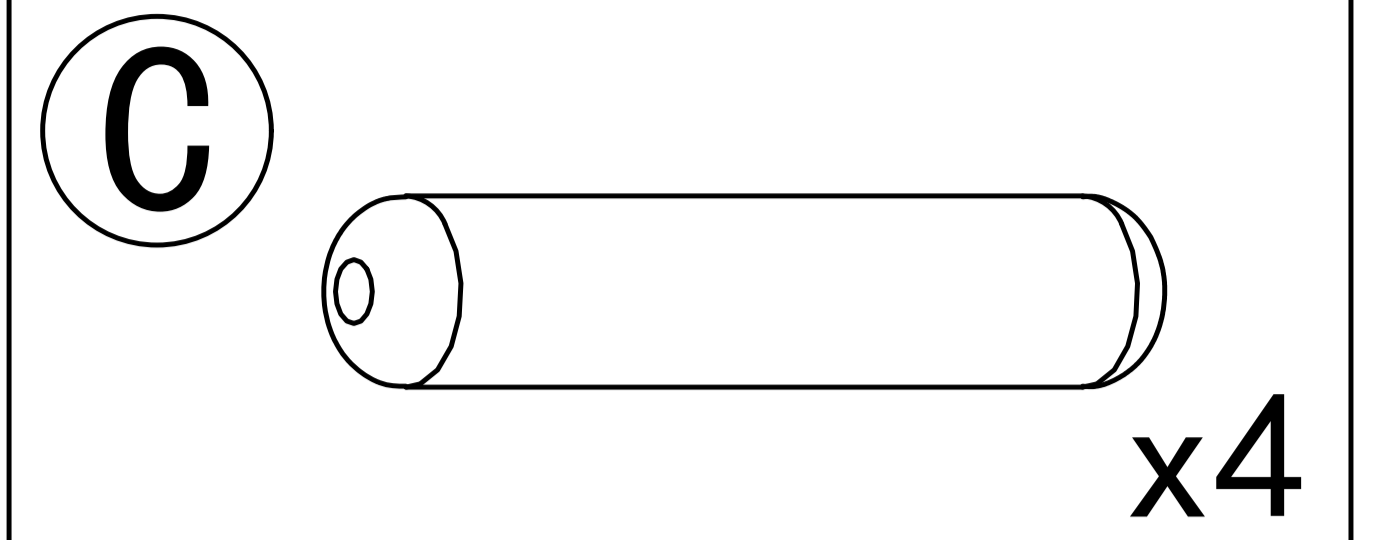
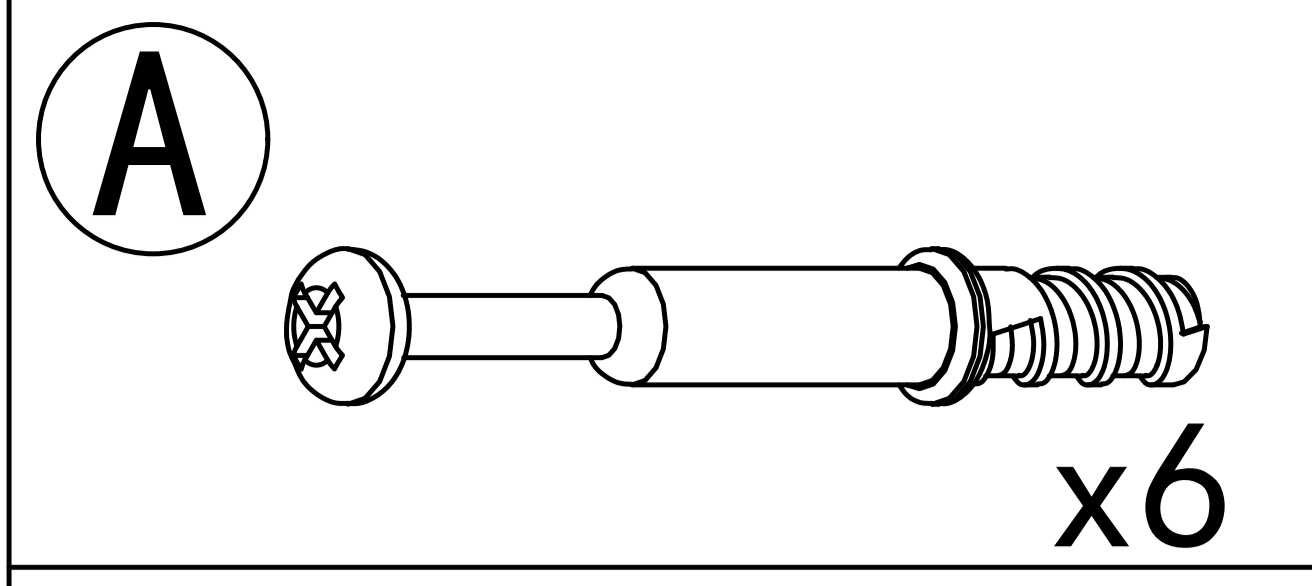
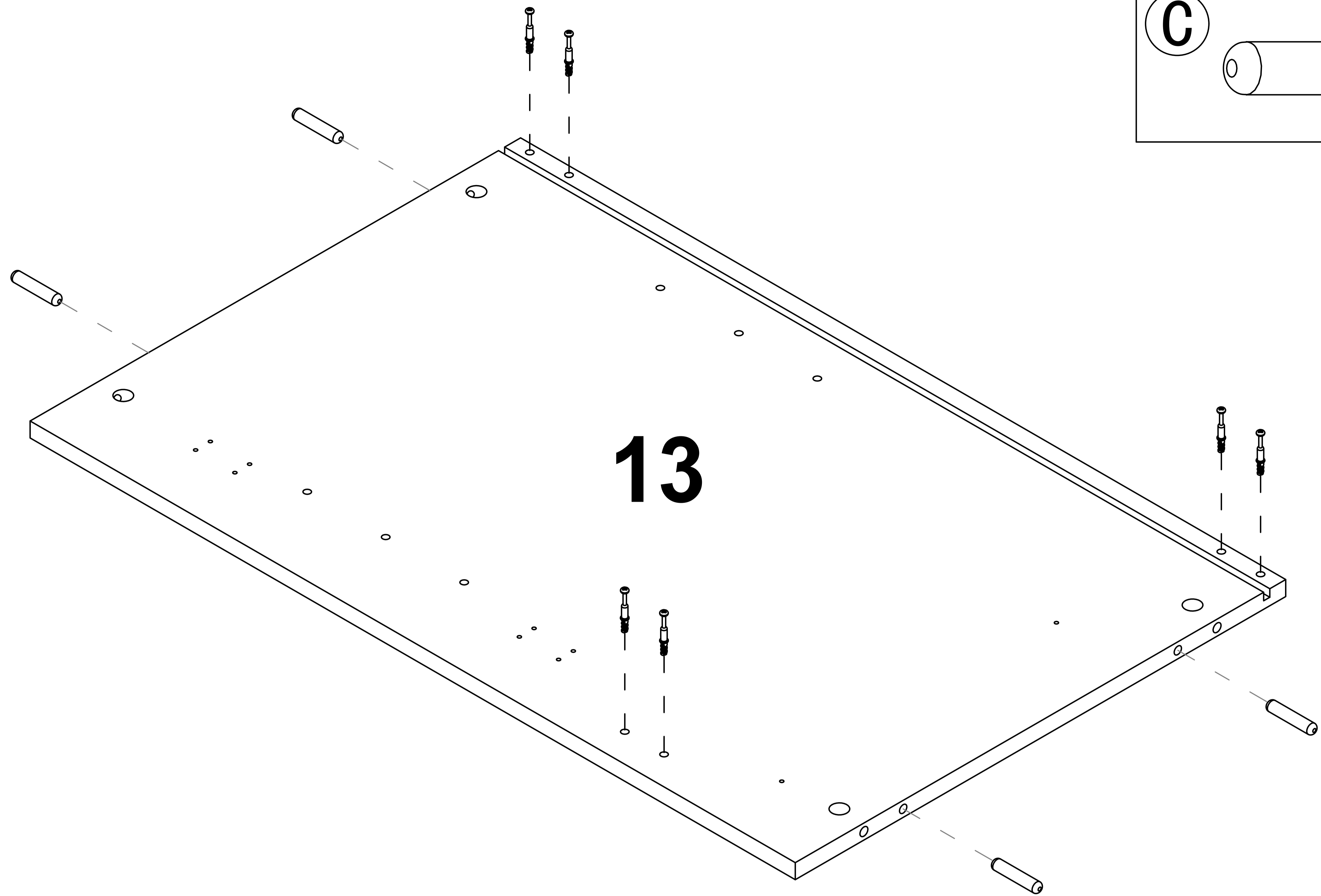
Step 21

A

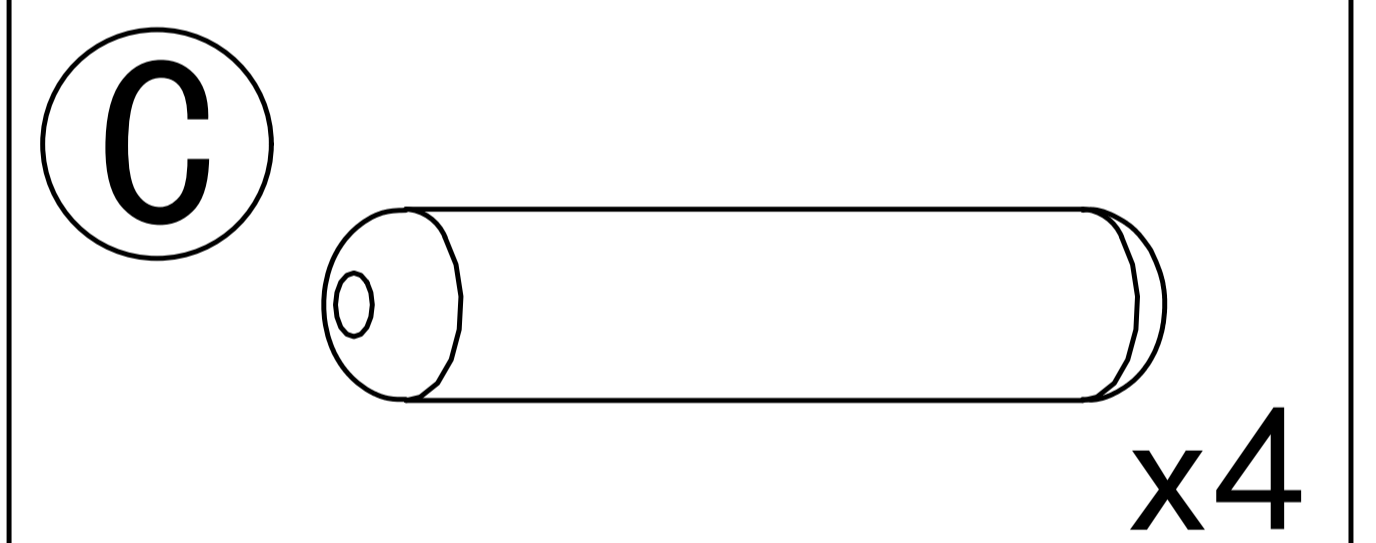
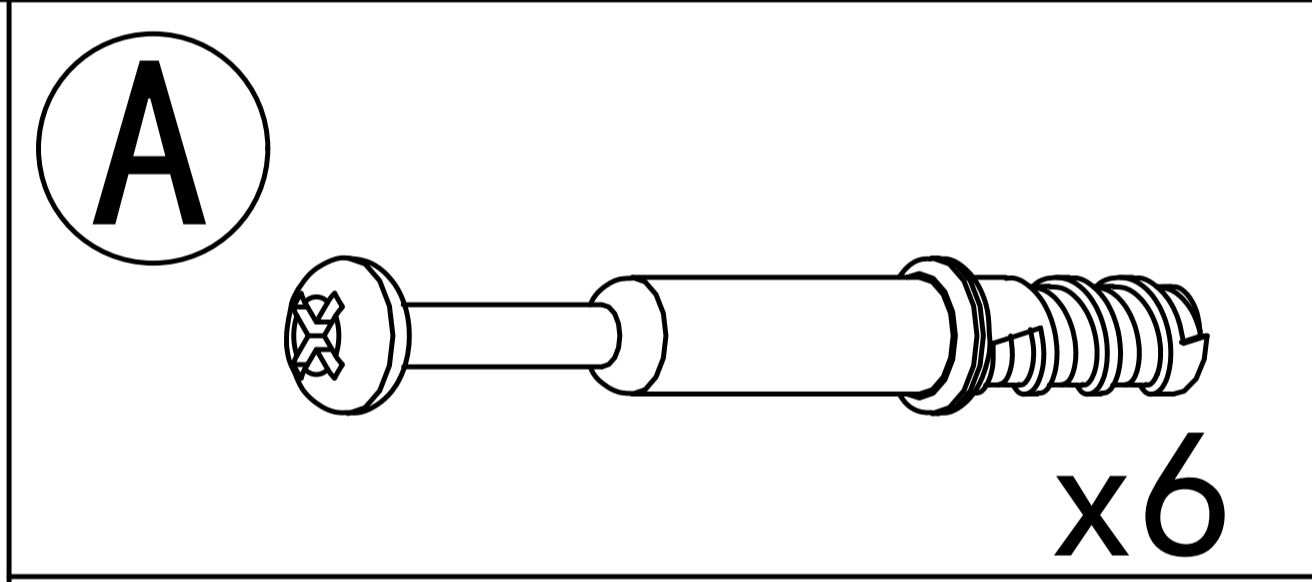
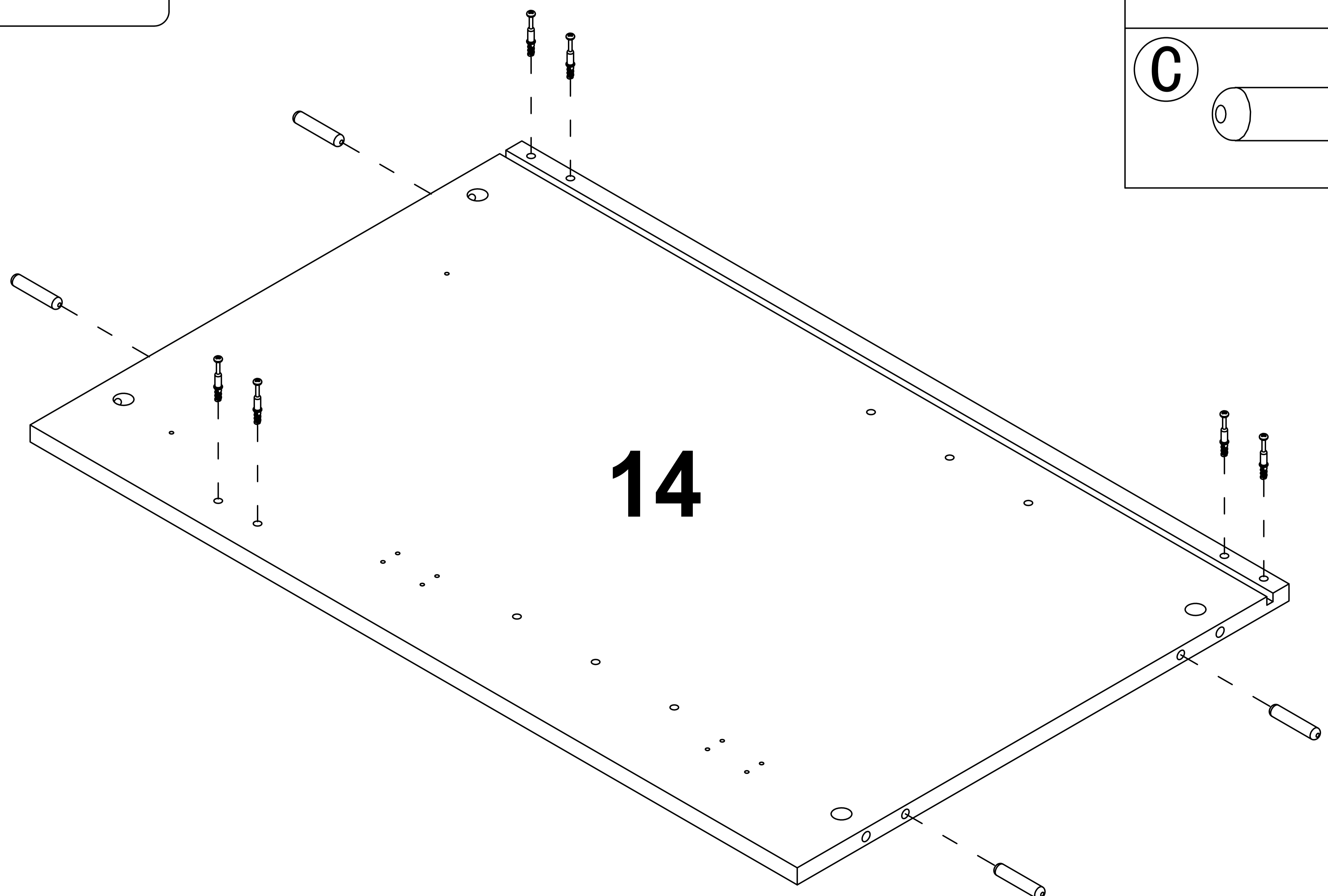


17

Step 22

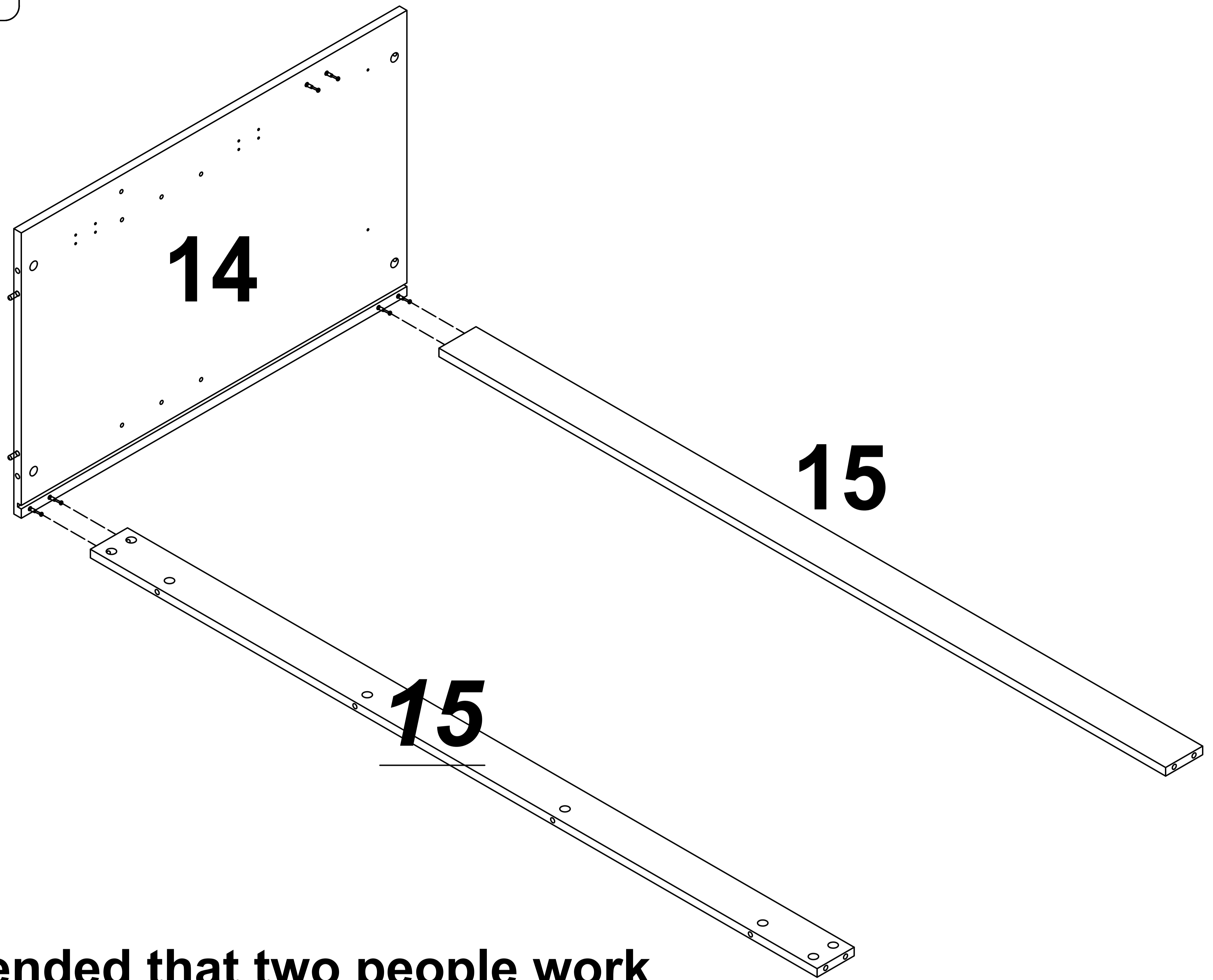


Step 23



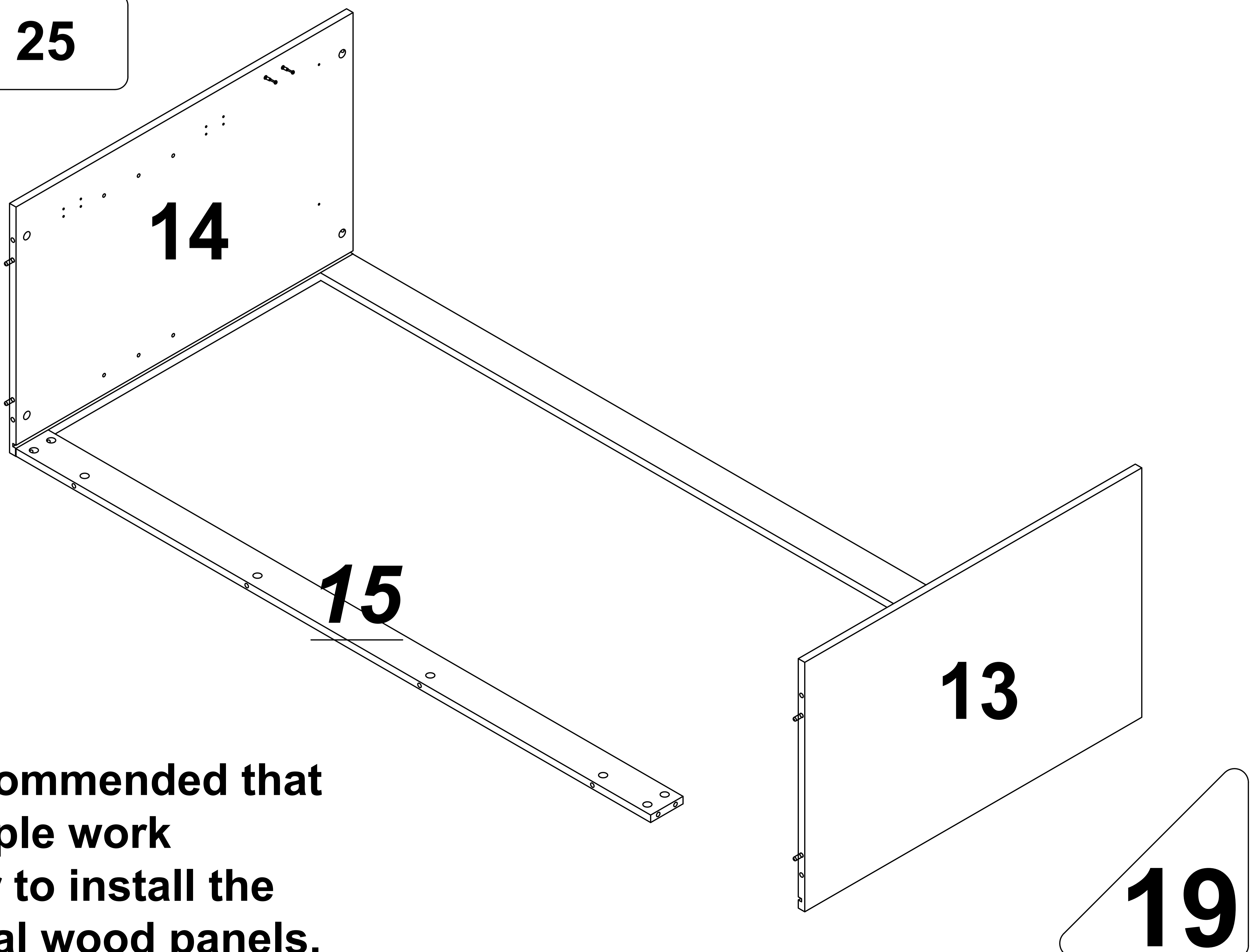
Watch out for the direction of "15"

Step 24



It is recommended that two people work together to install the structural wood panels.

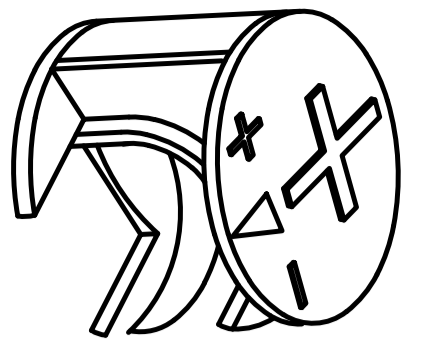
Step 25



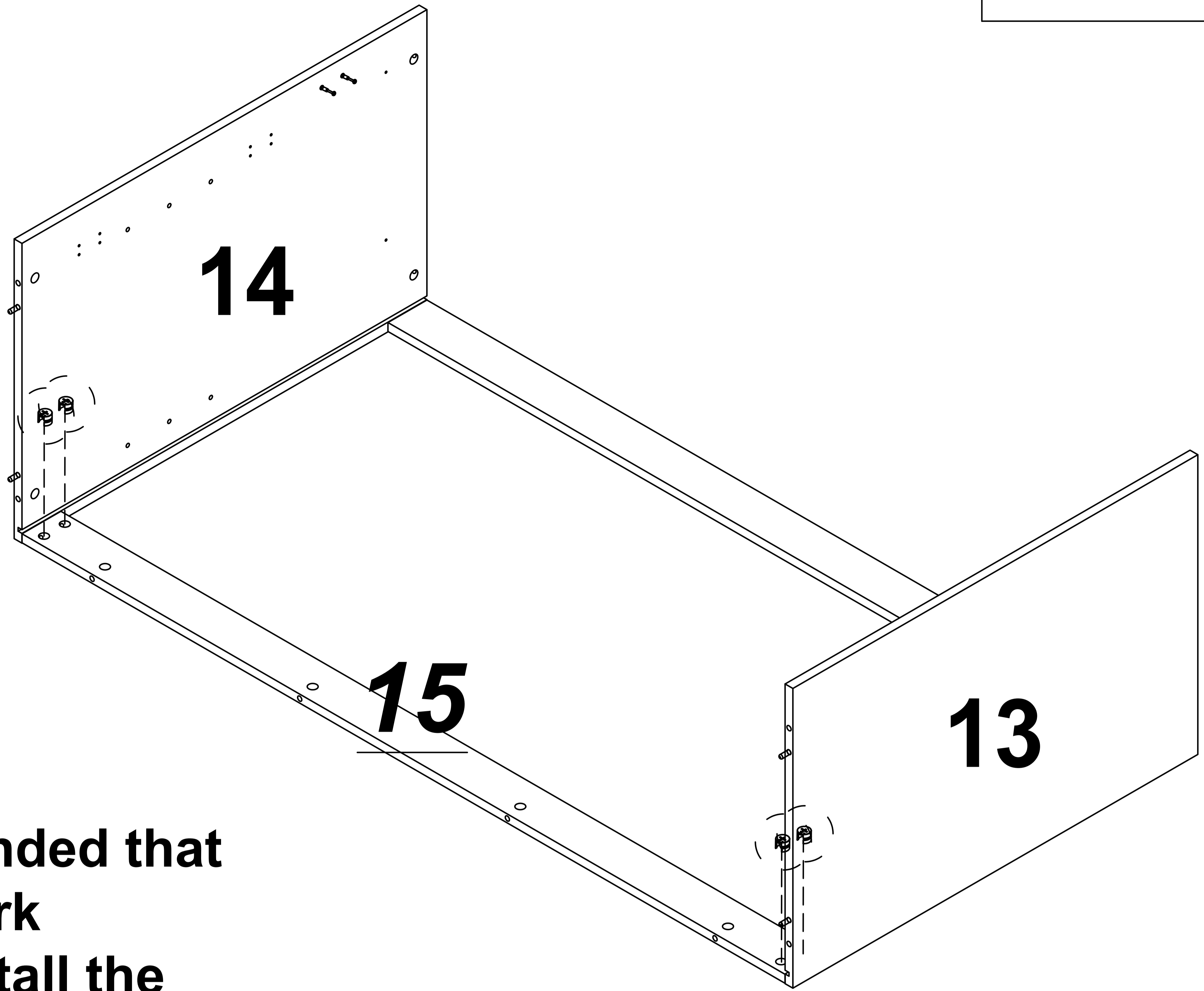
It is recommended that two people work together to install the structural wood panels.

Step 26

(B)



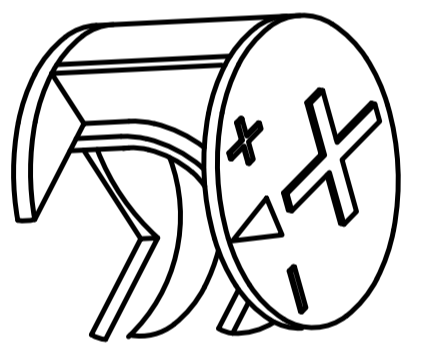
x4



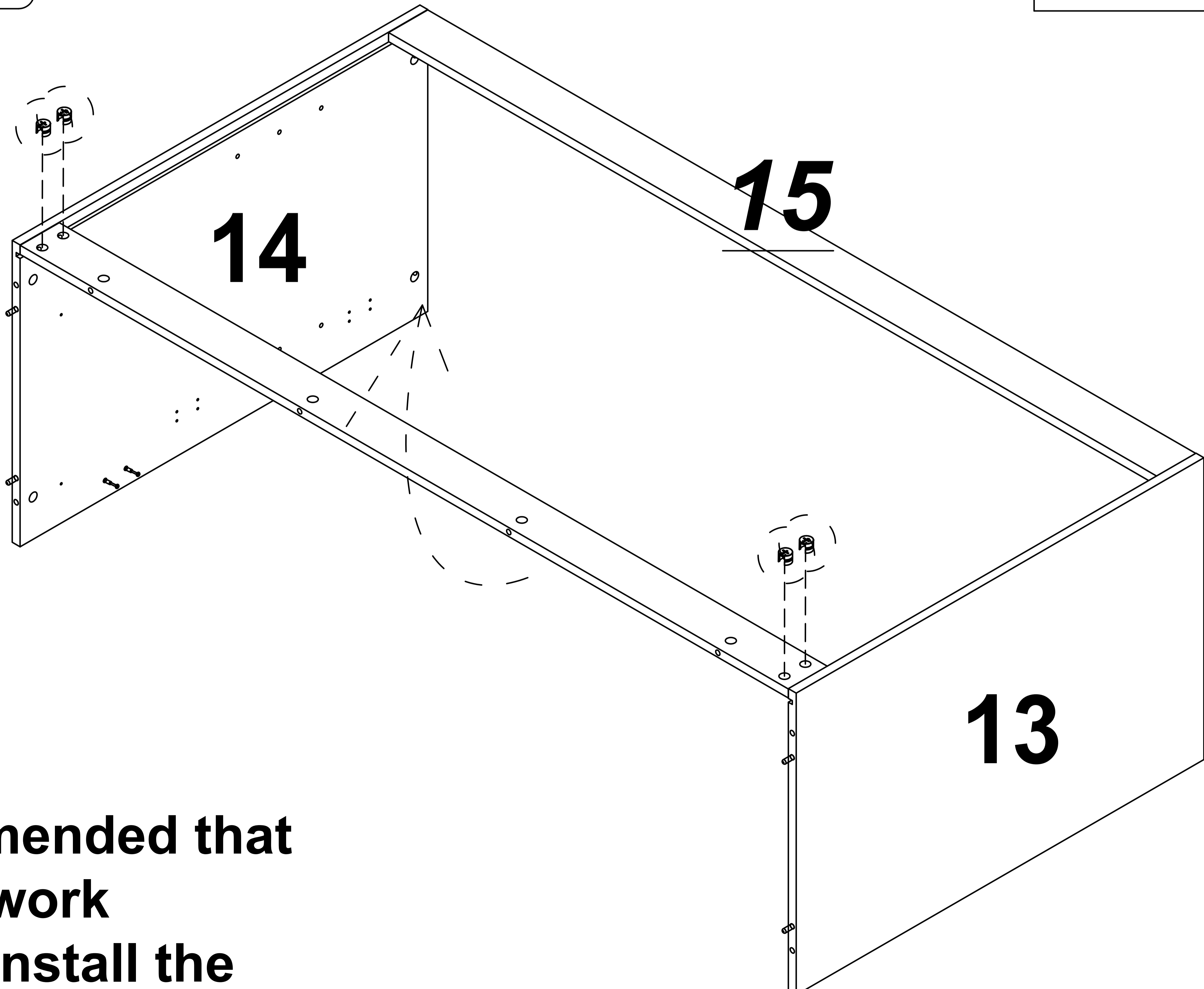
It is recommended that two people work together to install the structural wood panels.

Step 27

(B)



x4

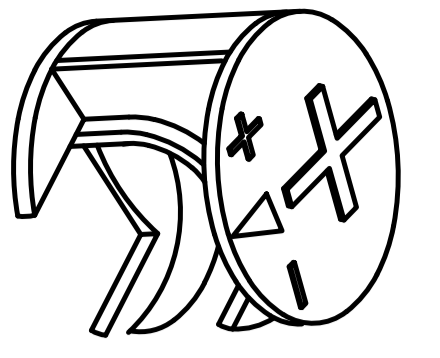


It is recommended that two people work together to install the structural wood panels.

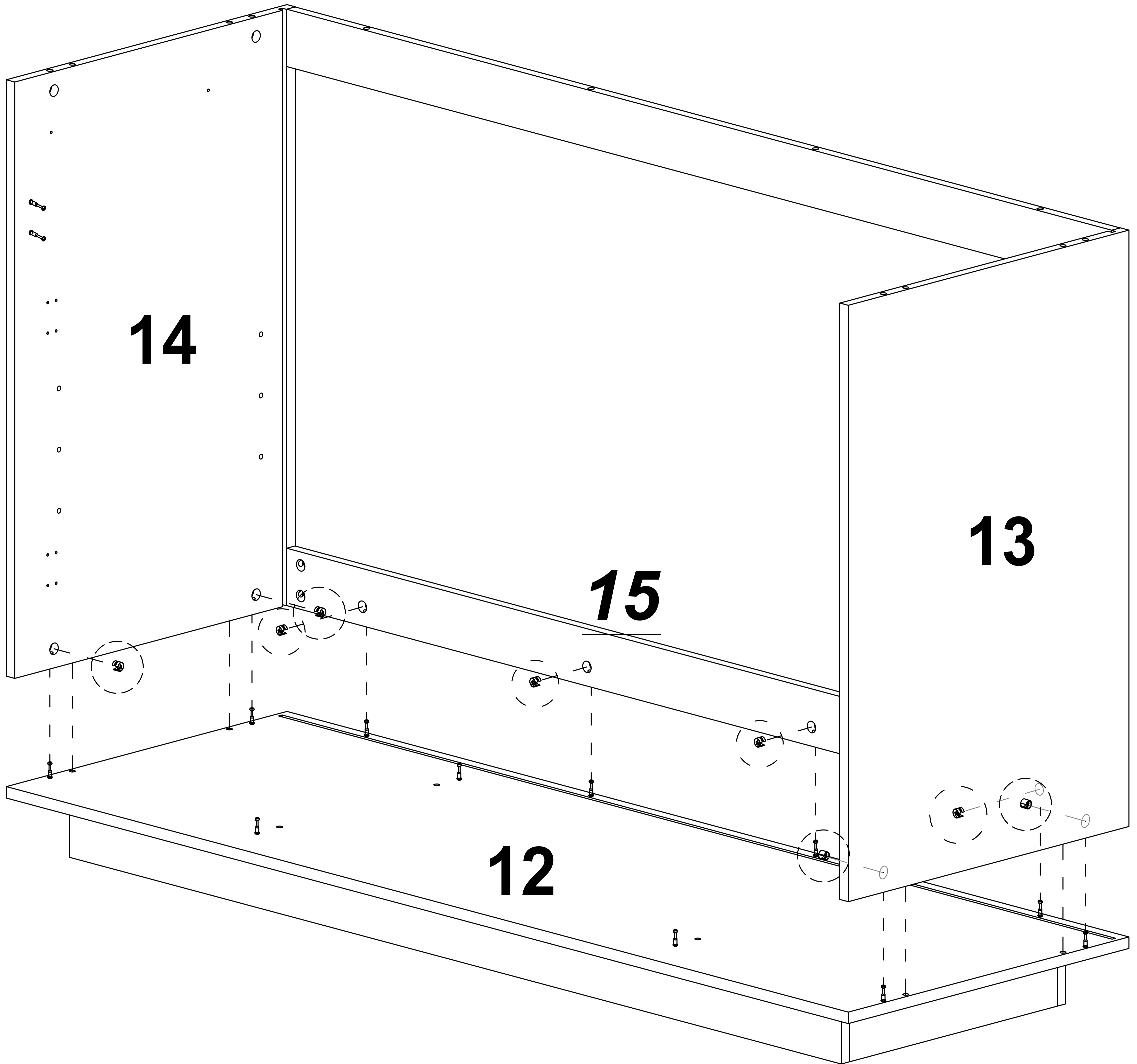
20

Step 28

B



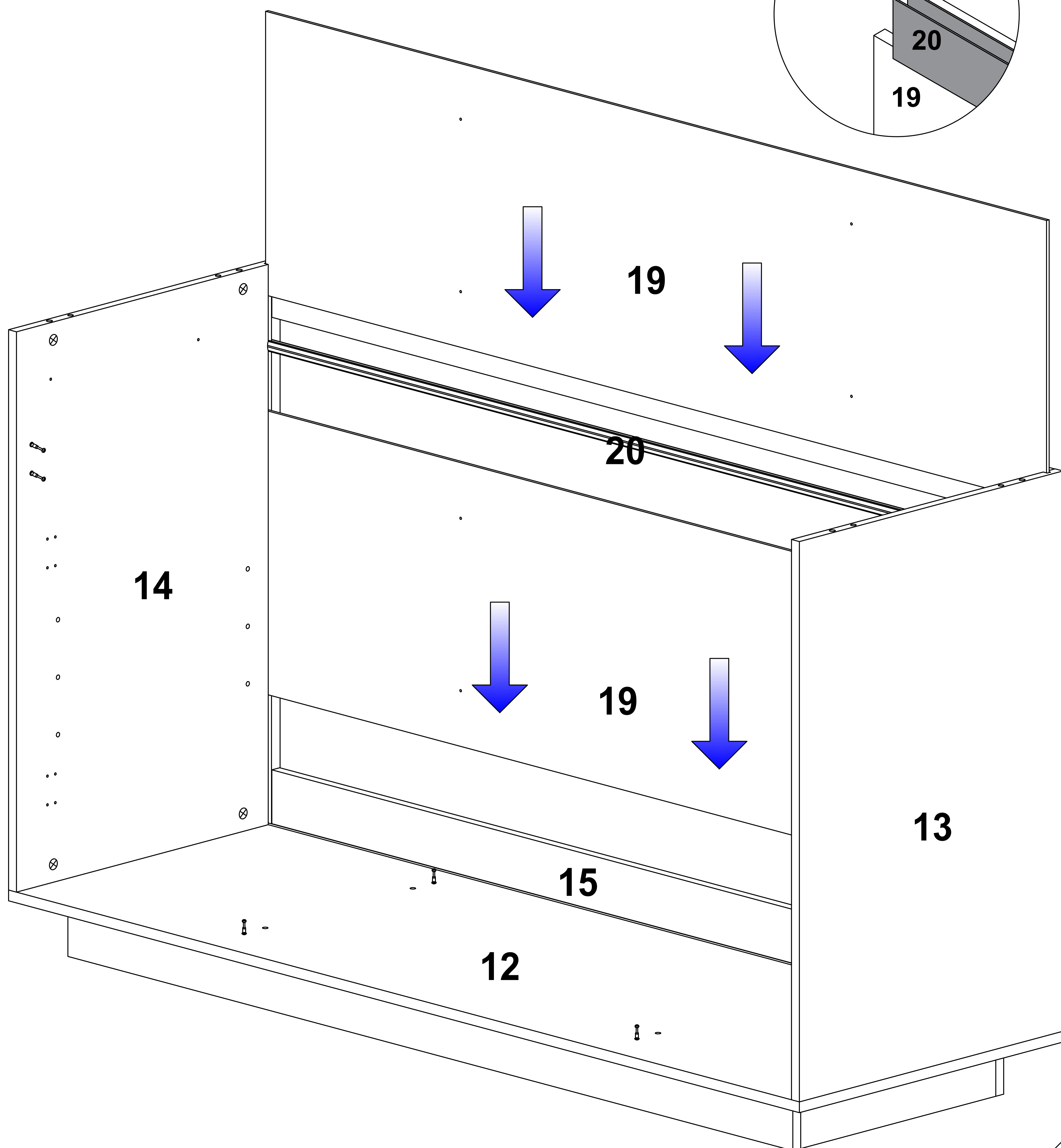
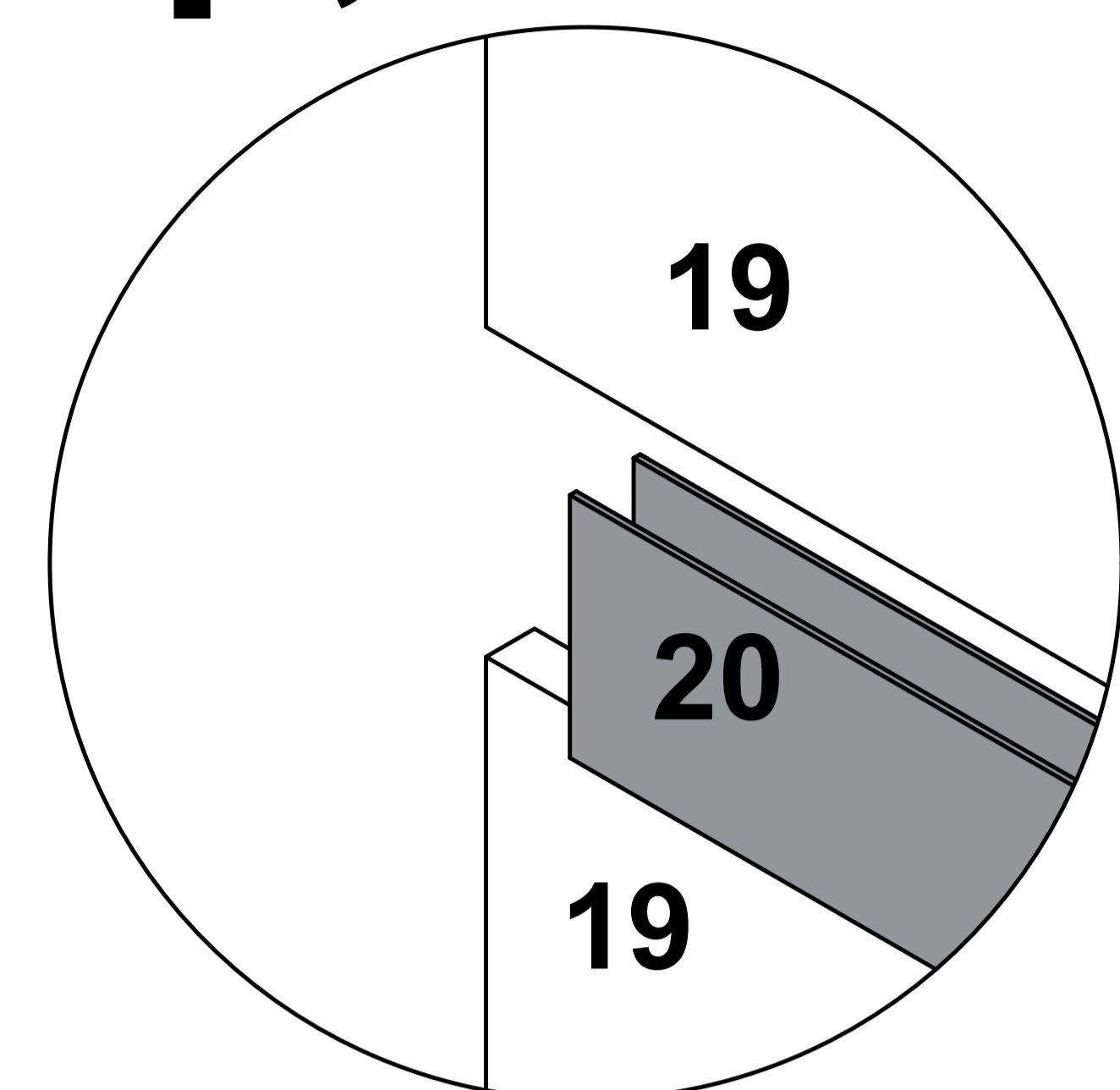
x8



It is recommended that two people work together to install the structural wood panels.

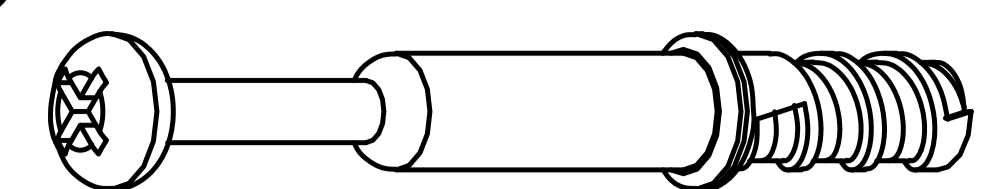
Step 29

Place the "19" board,
"20" Backboard card strip, and
"19" board in order



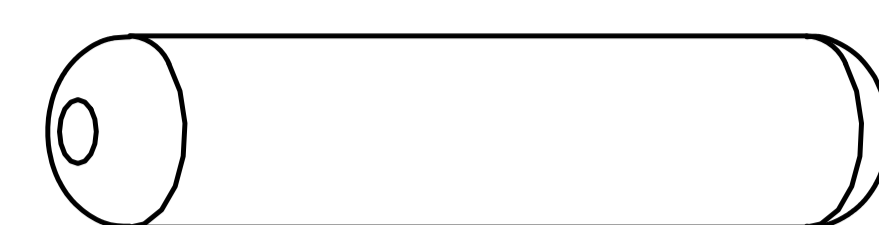
Step 30

A

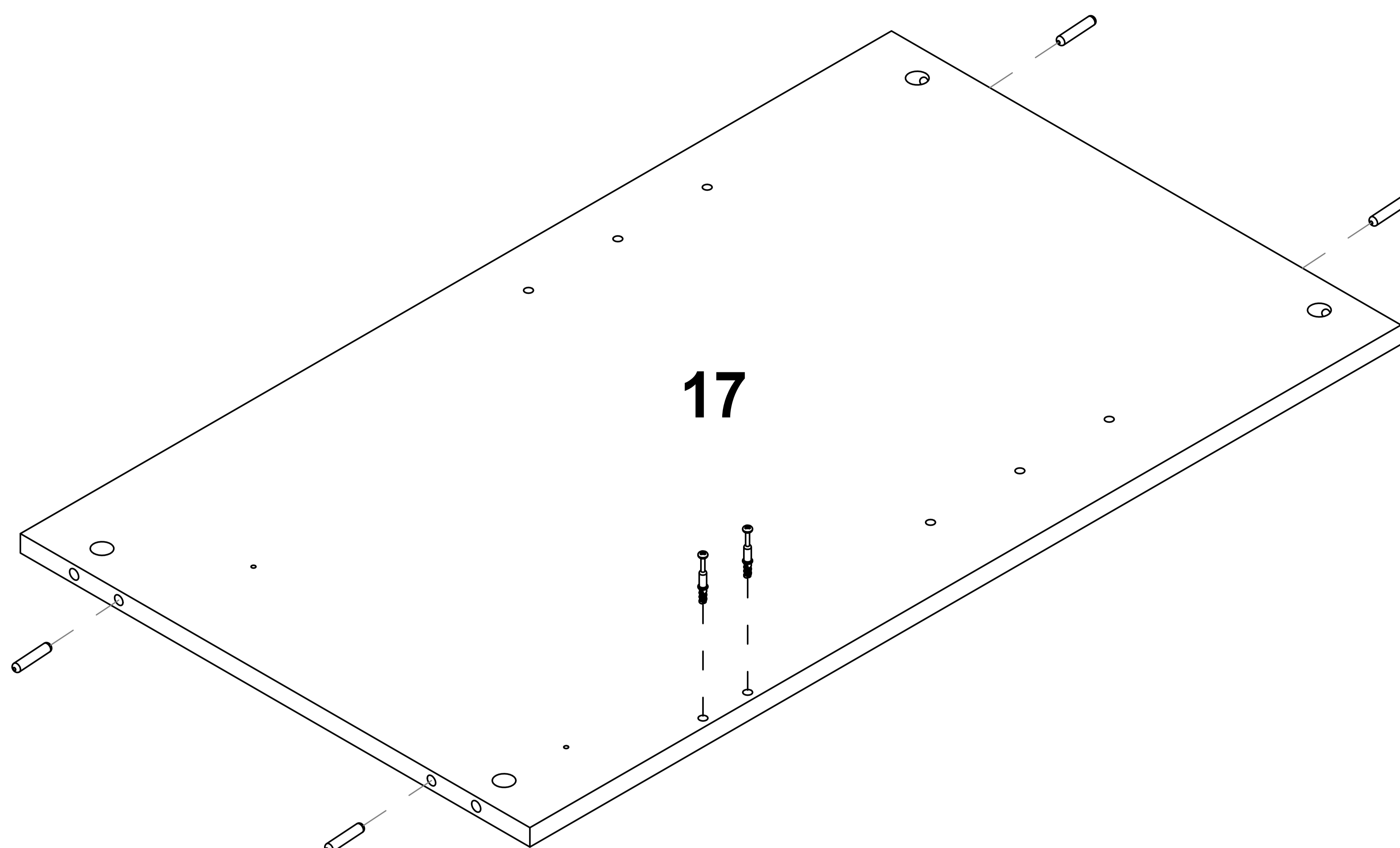


x2

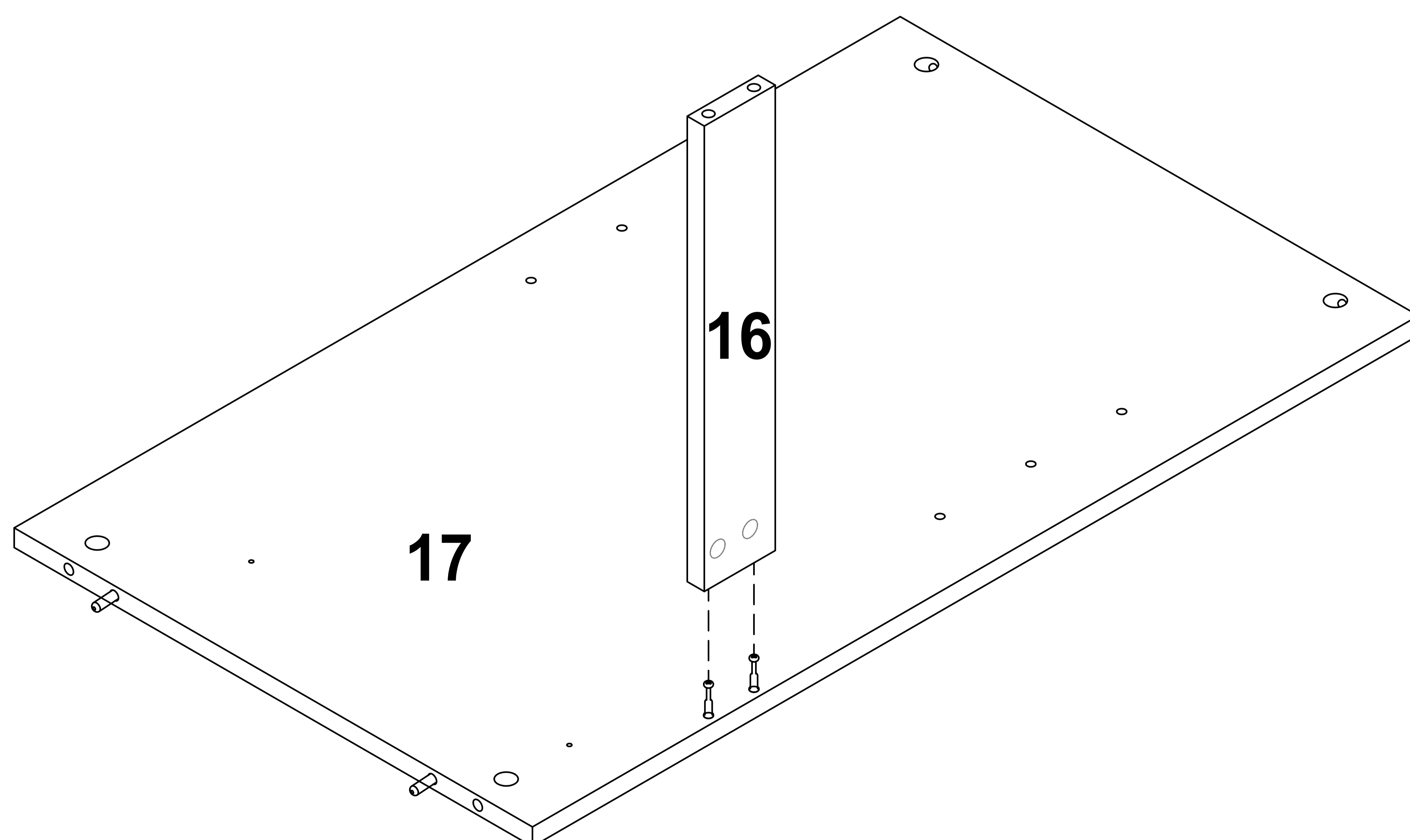
C



x4

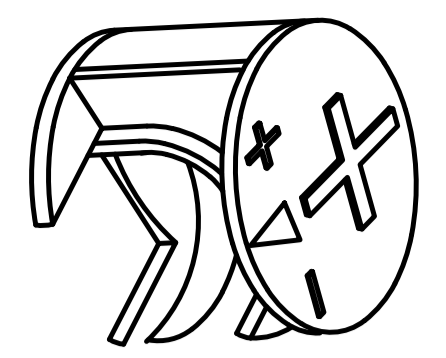


Step 31



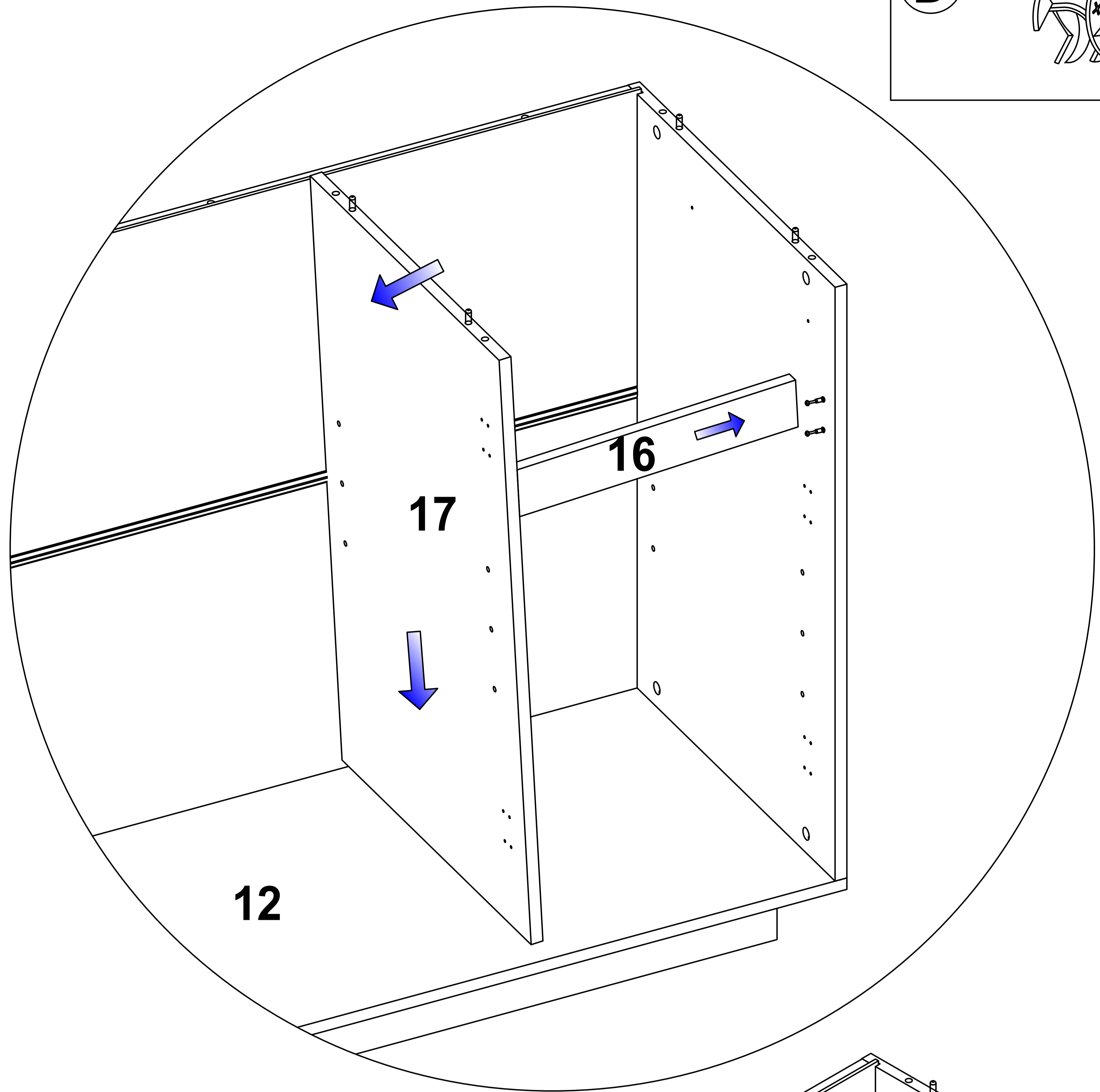
Step 32

B

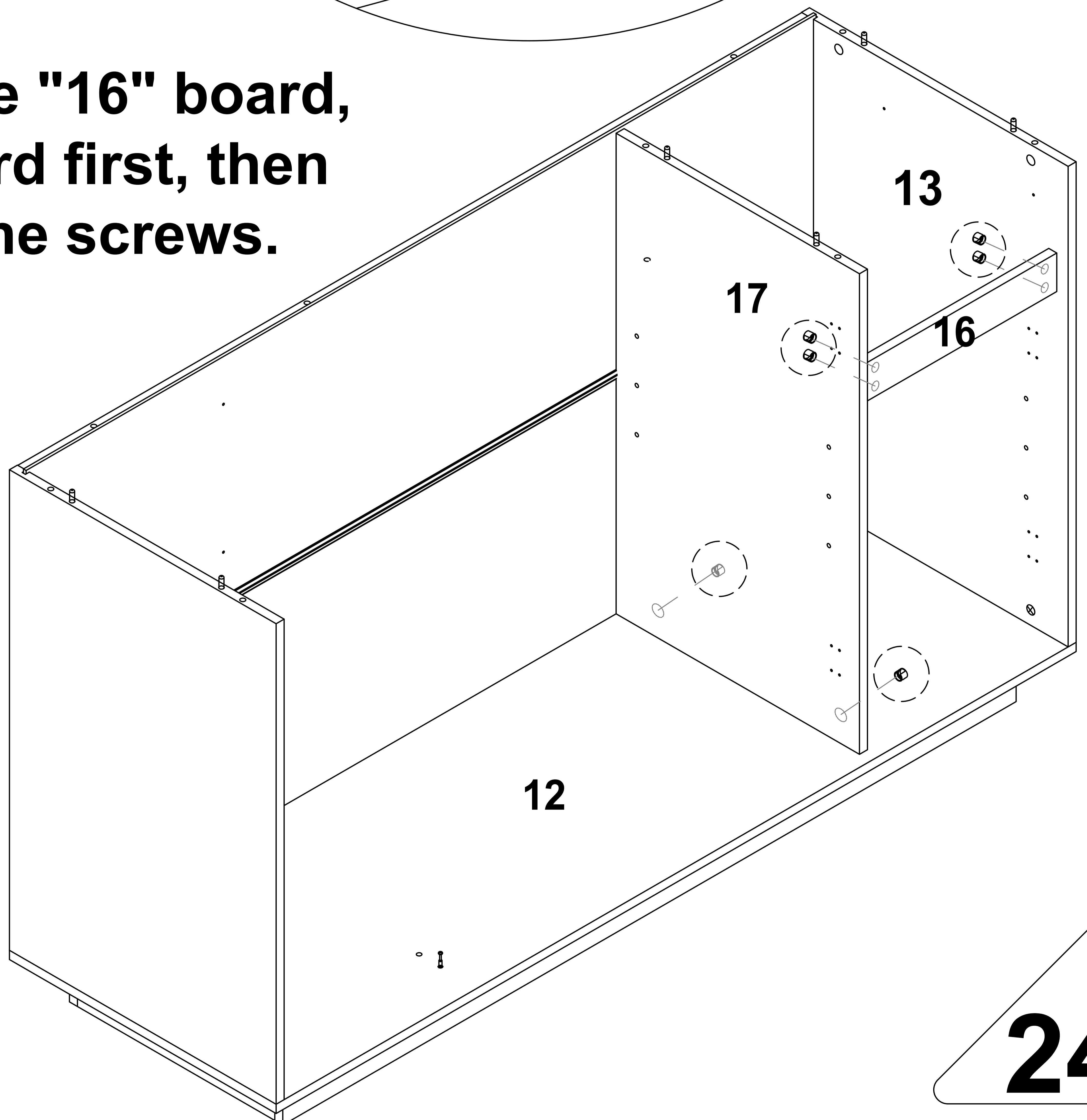


x6

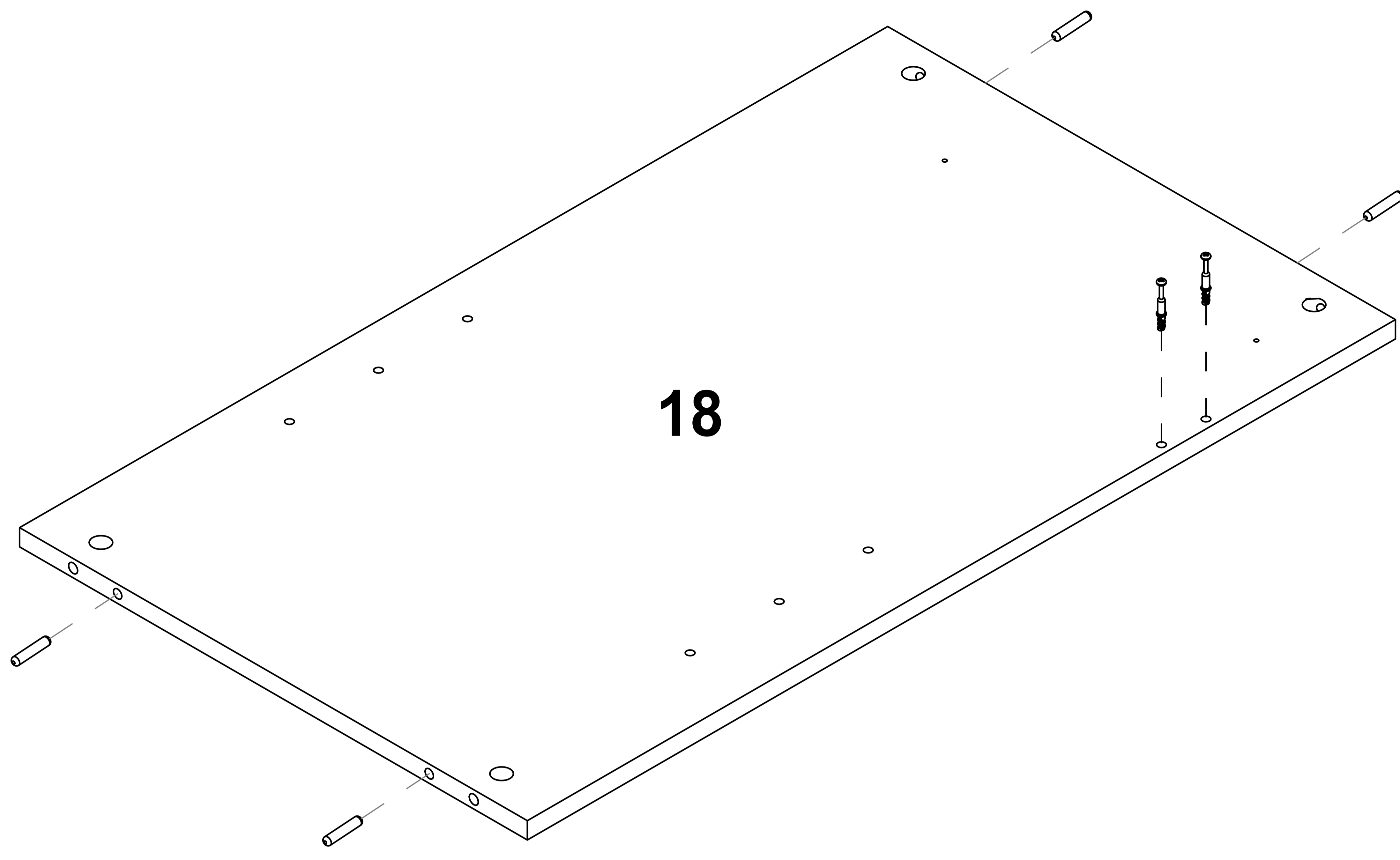
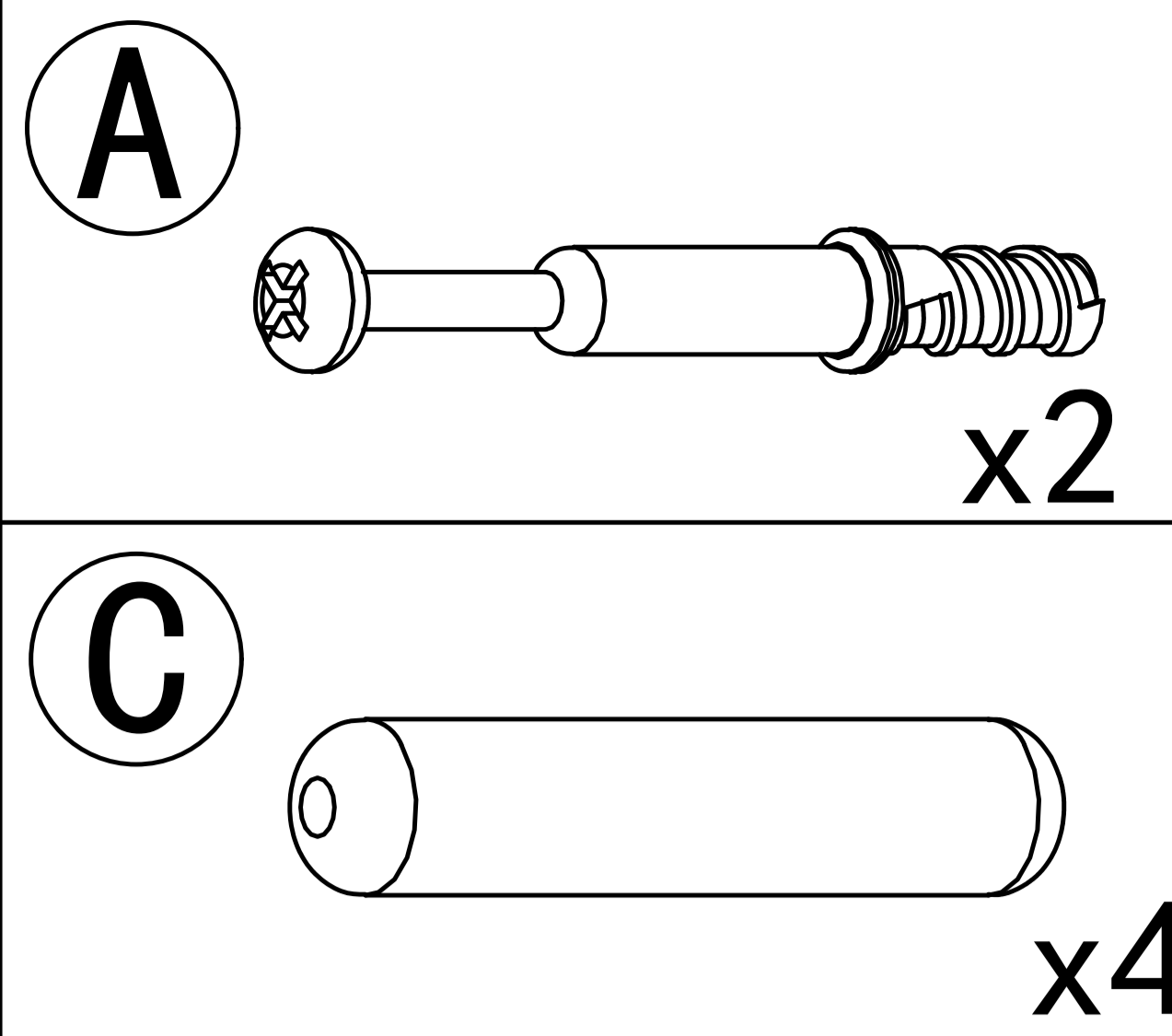
Insert at an angle, align with the holes, and tighten the connector.



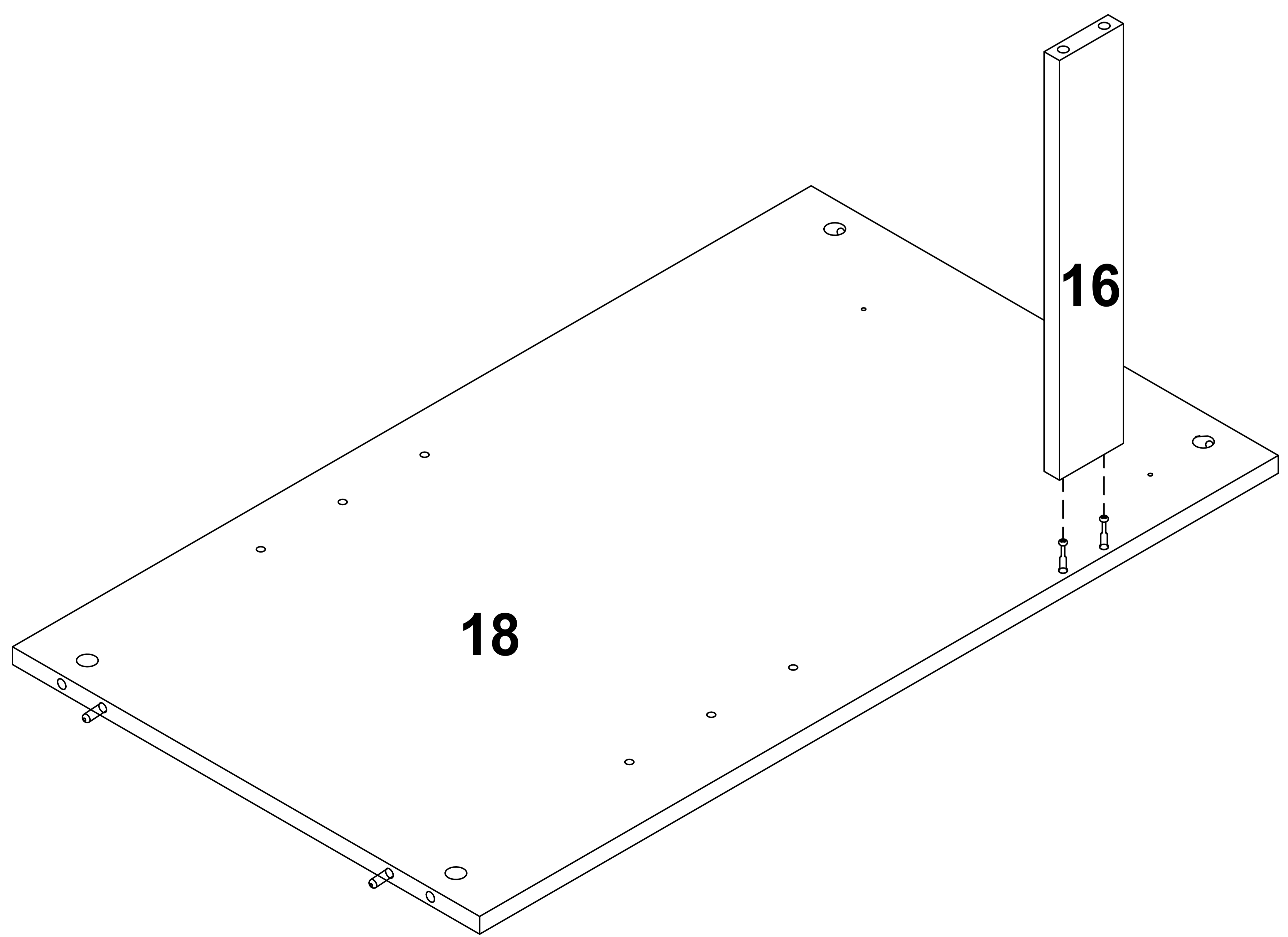
Install the "16" board, "17" board first, then tighten the screws.



Step 33

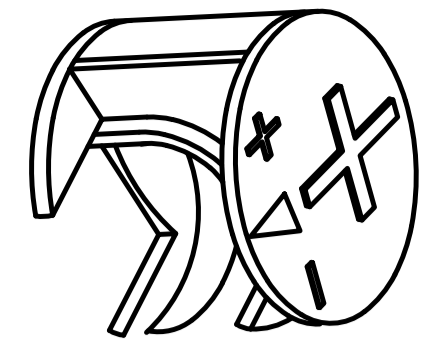


Step 34



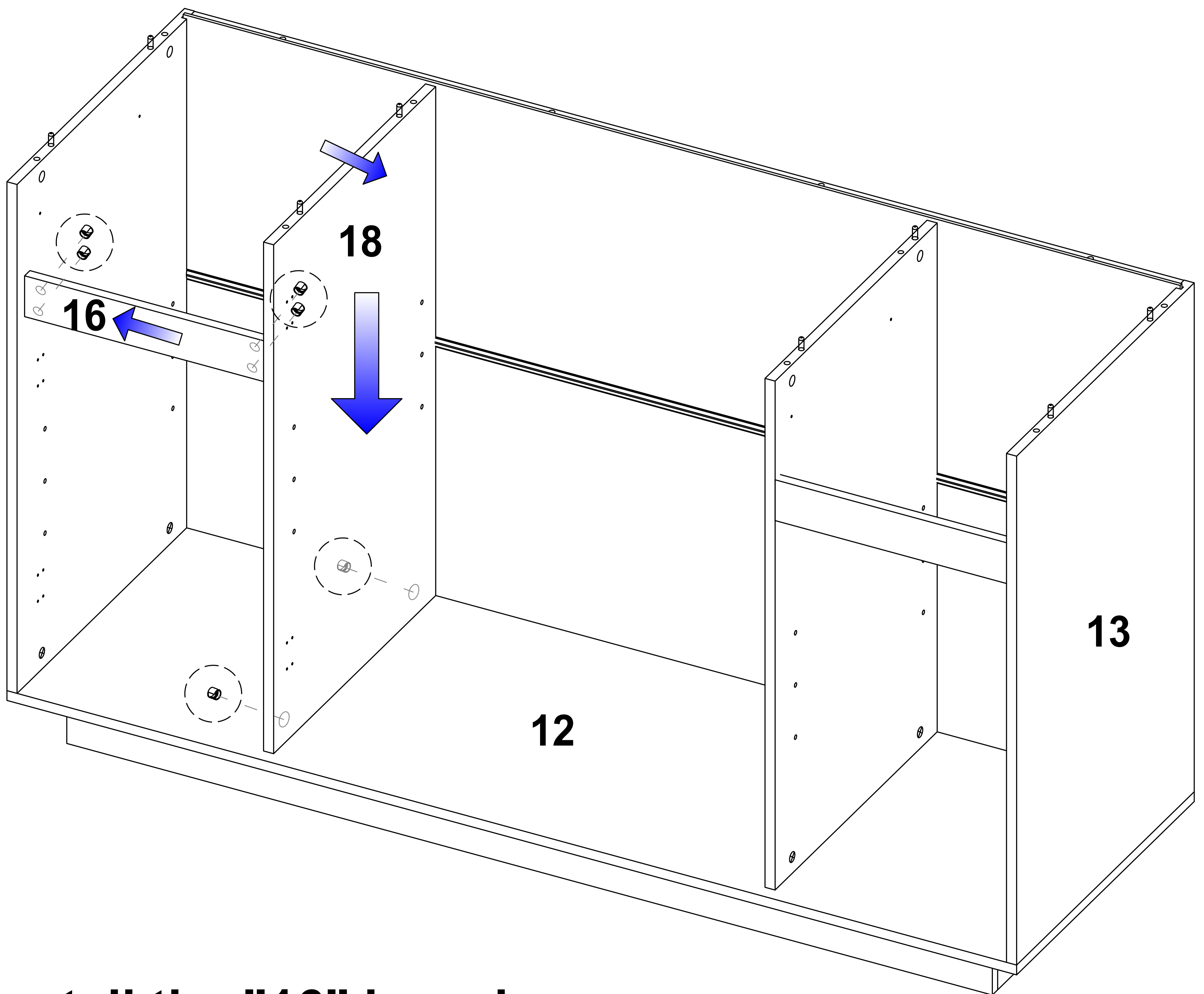
Step 35

B



x6

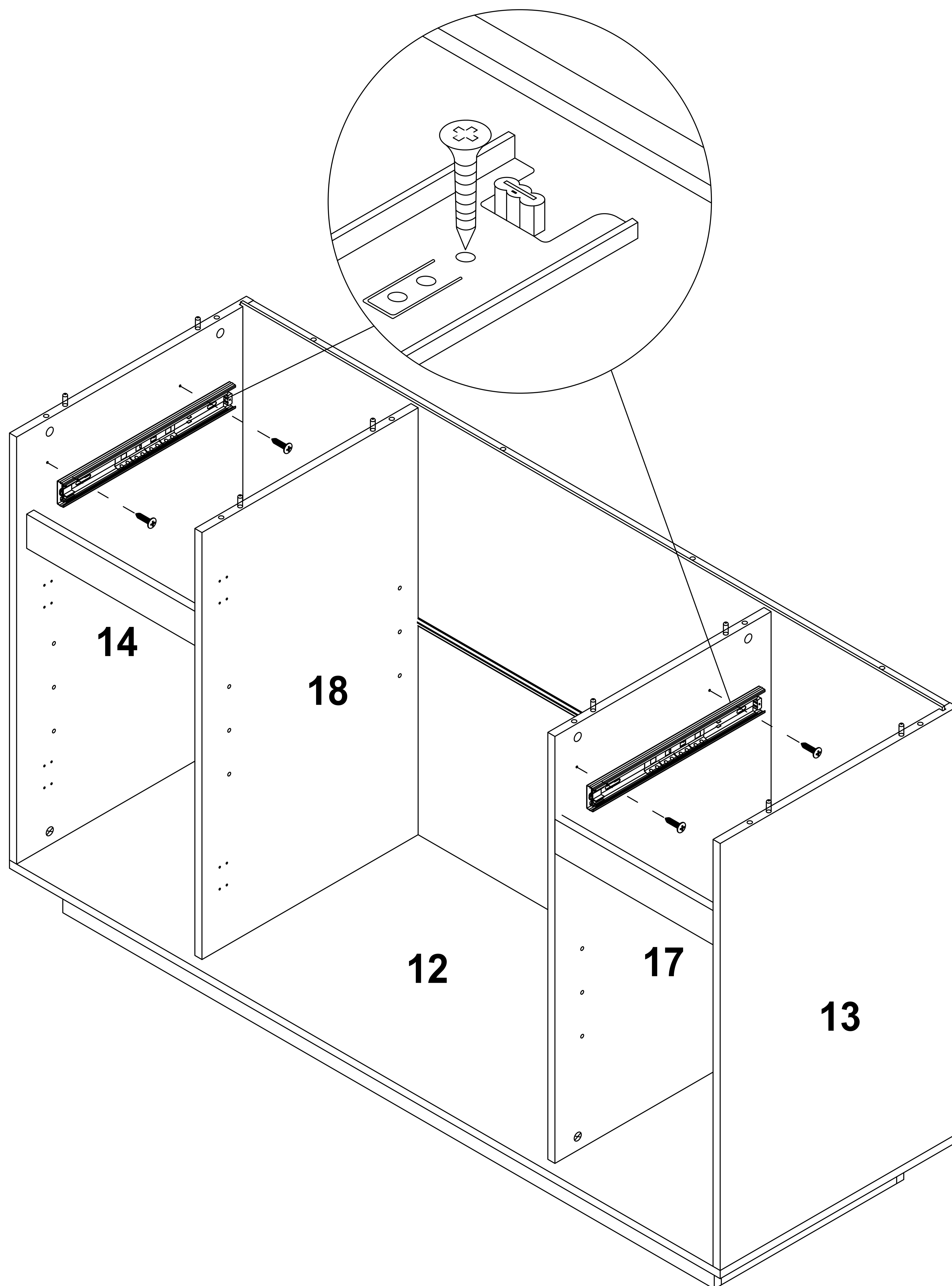
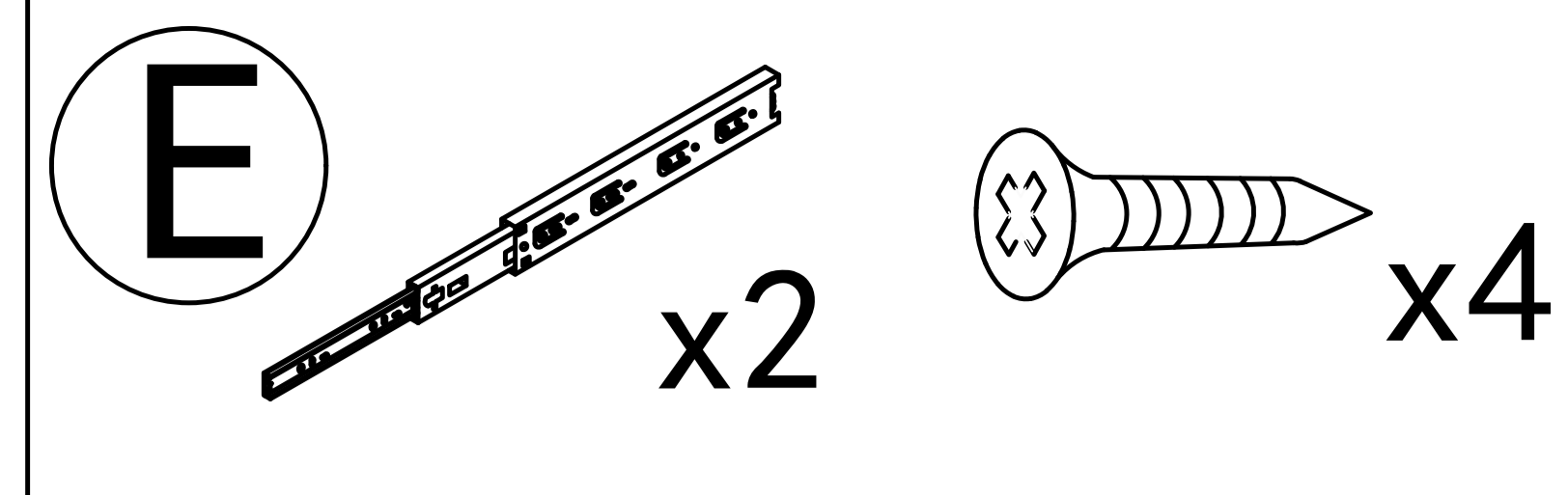
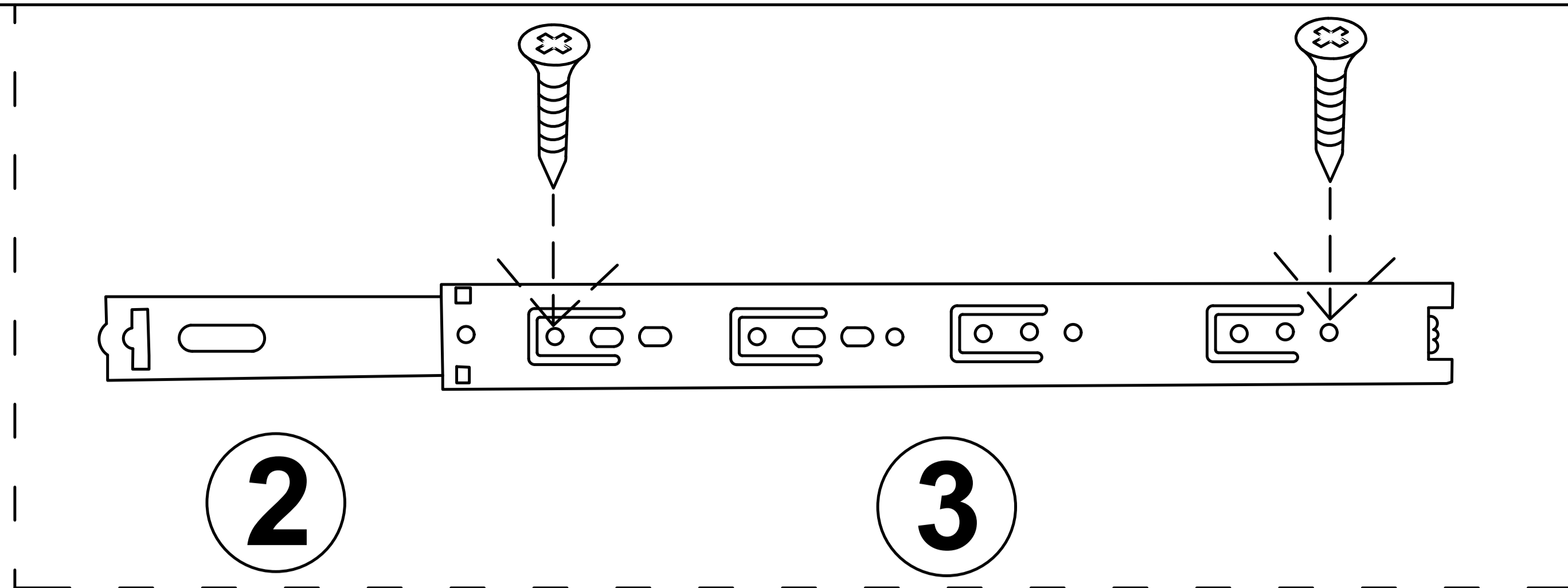
Insert at an angle, align with the holes, and tighten the connector.



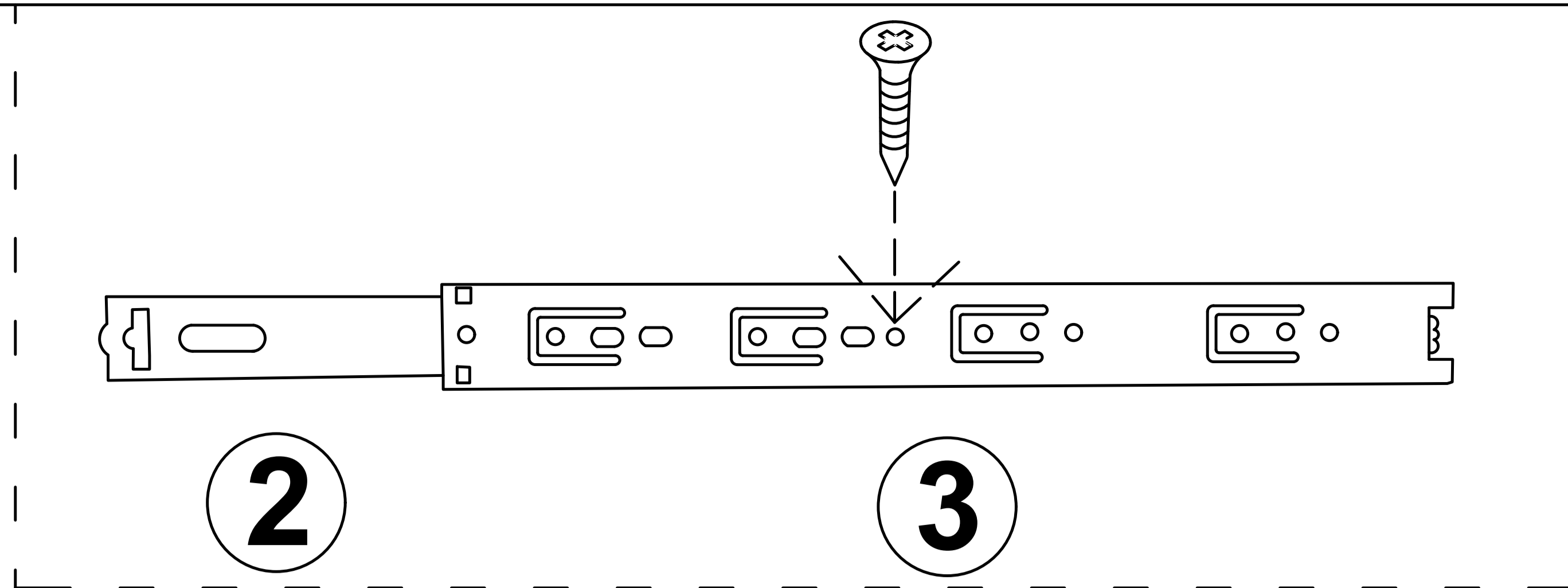
Install the "16" board, "18" board first, then tighten the screws.

26

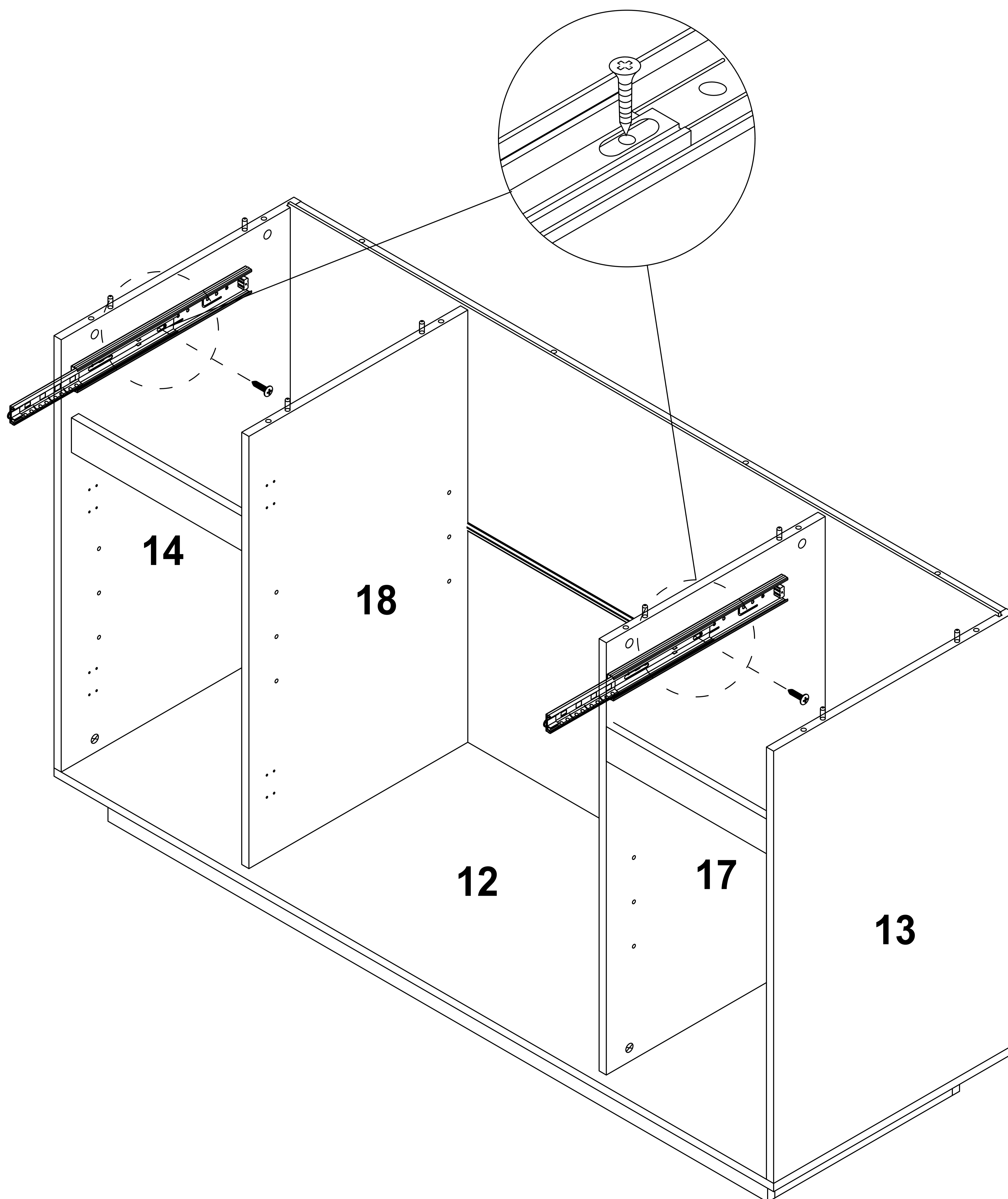
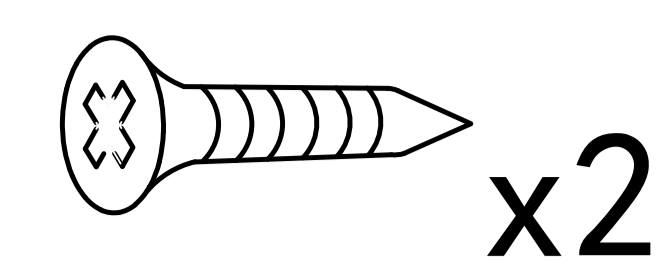
Step 36



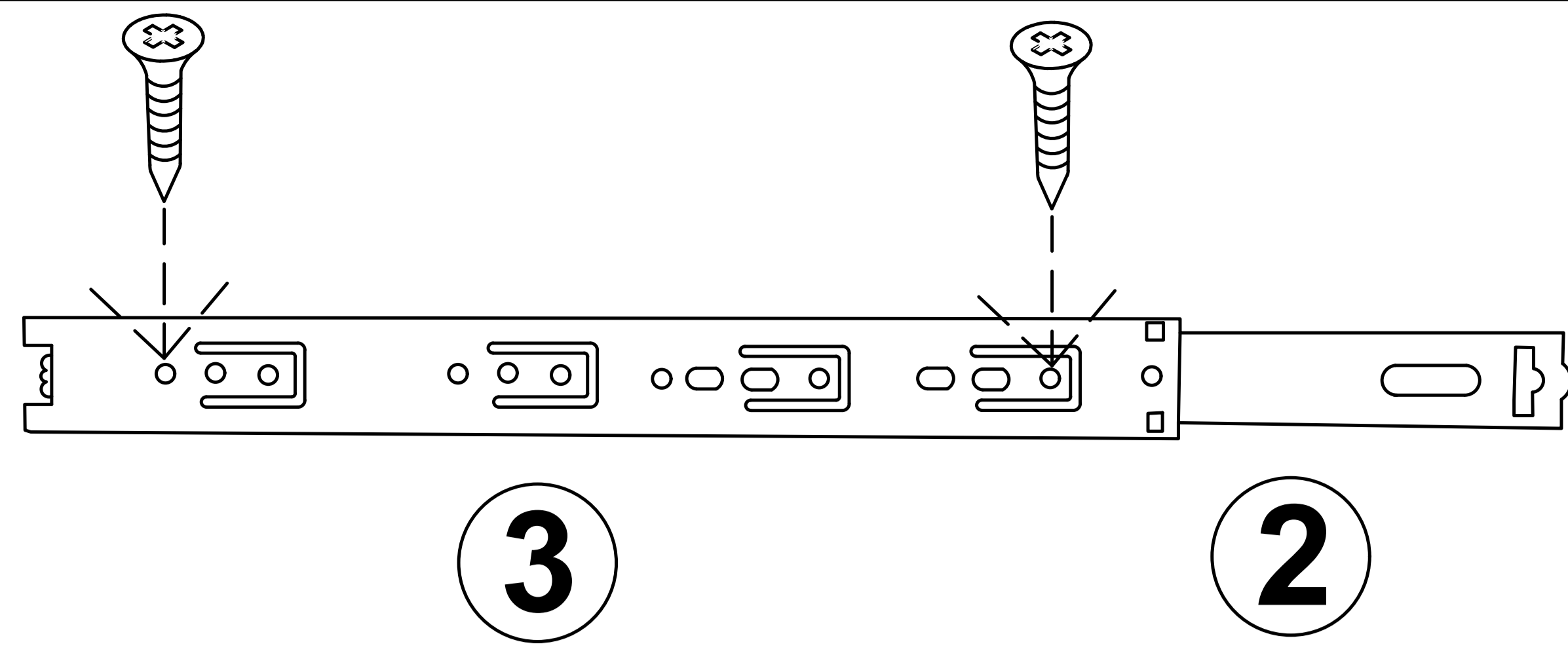
Step 37



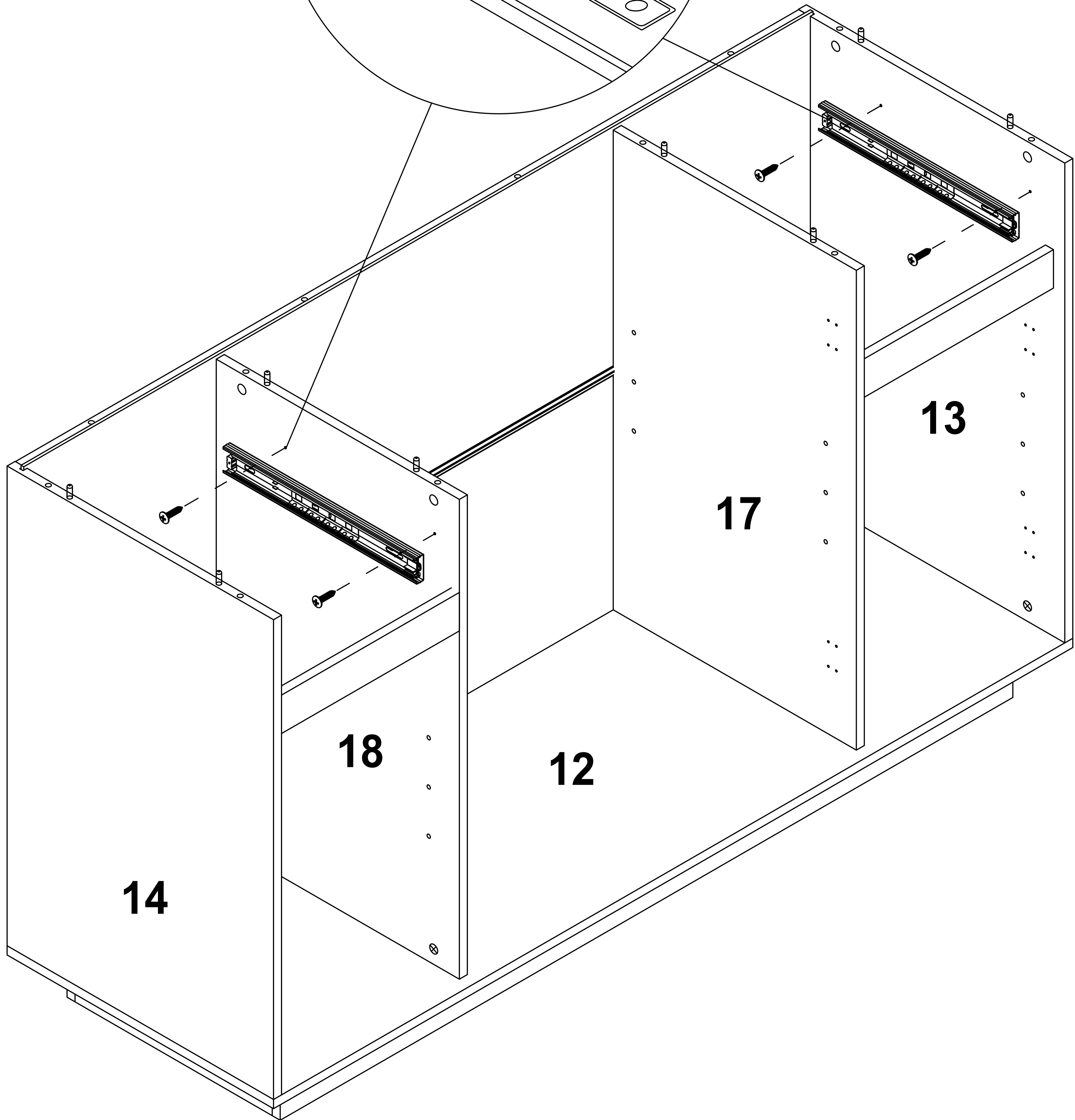
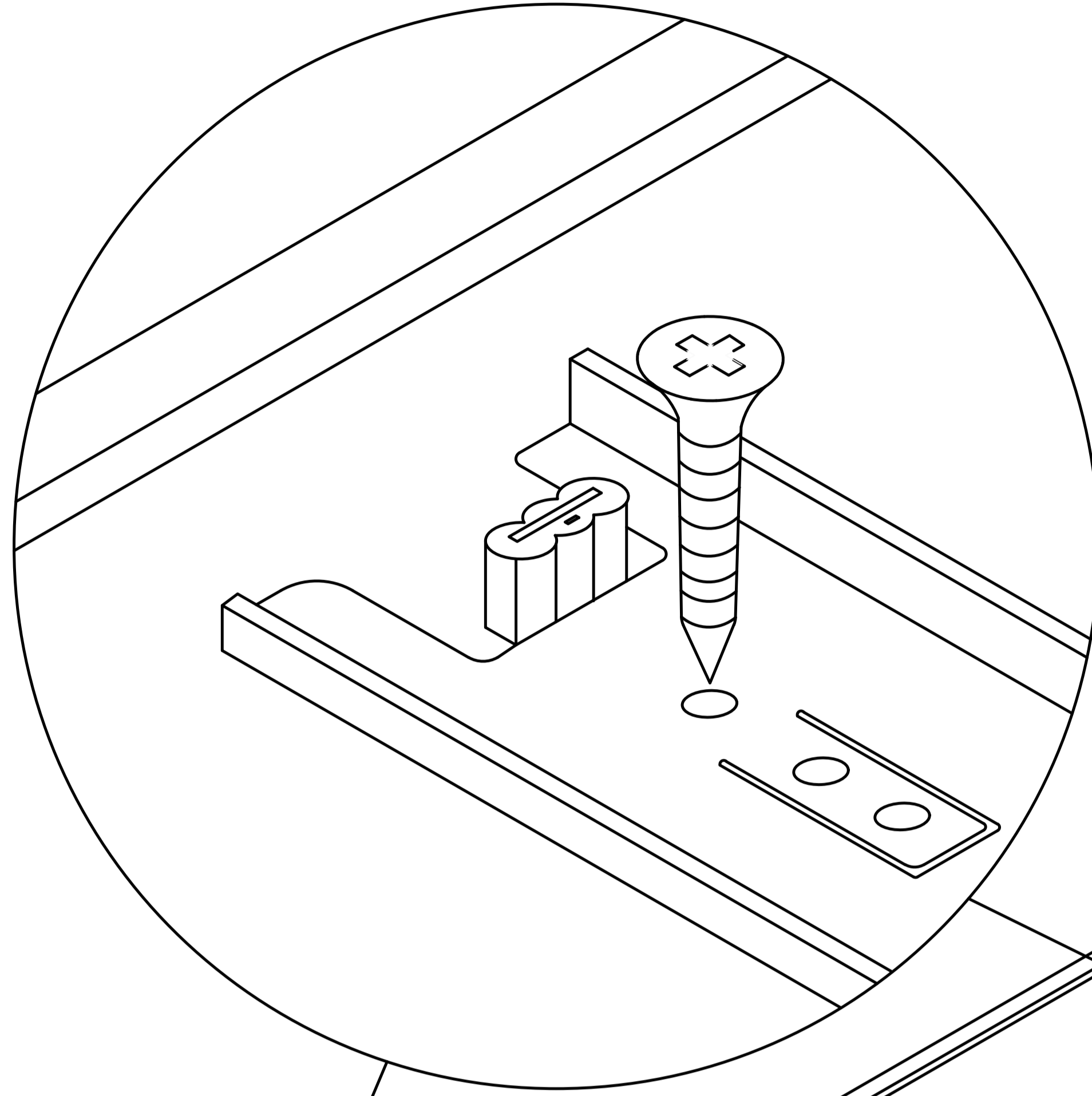
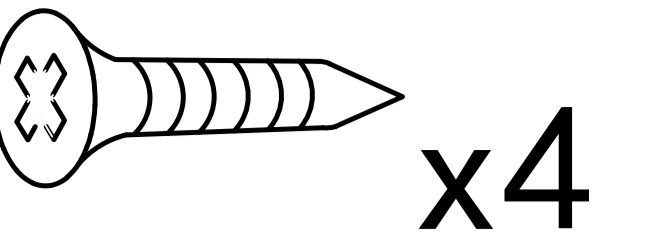
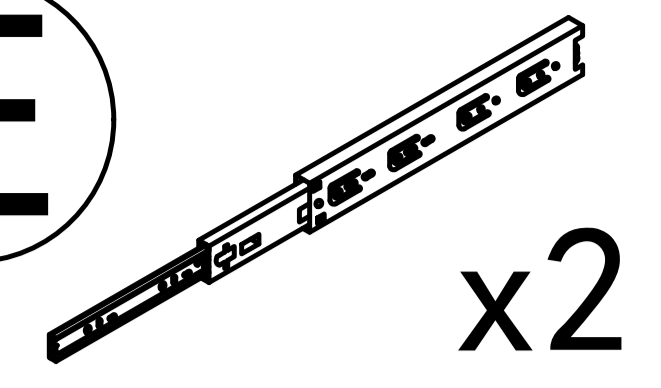
E



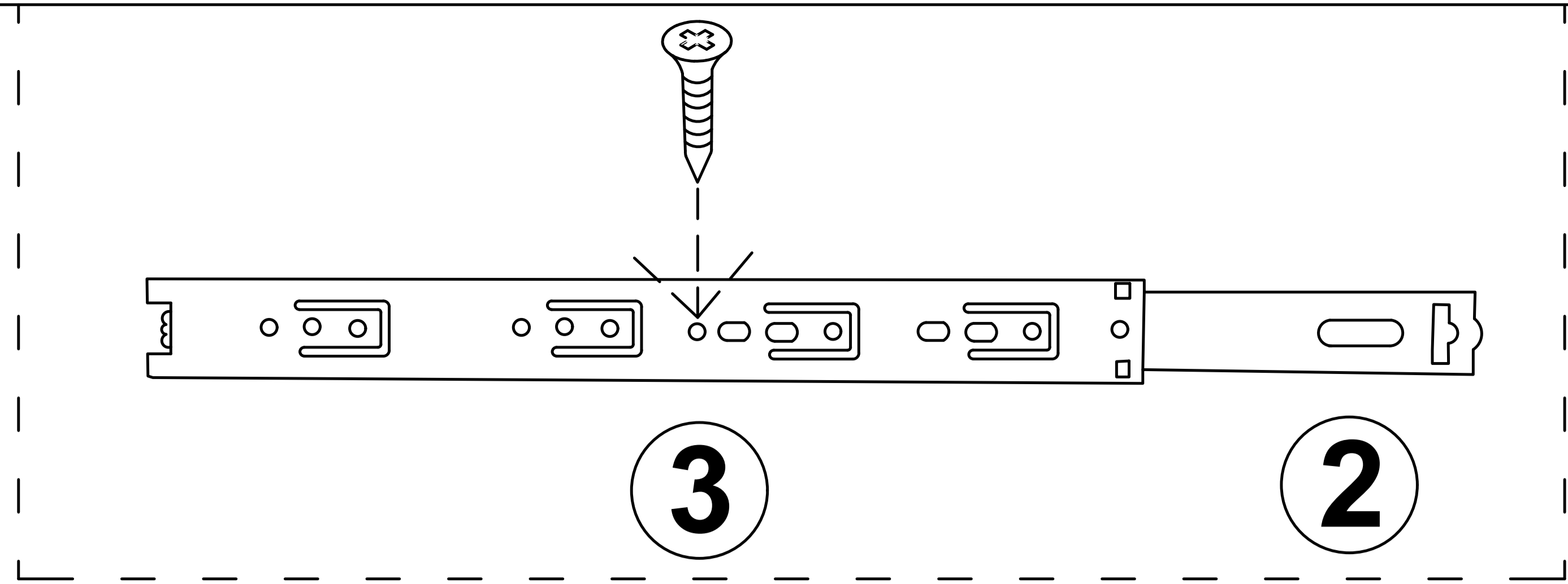
Step 38



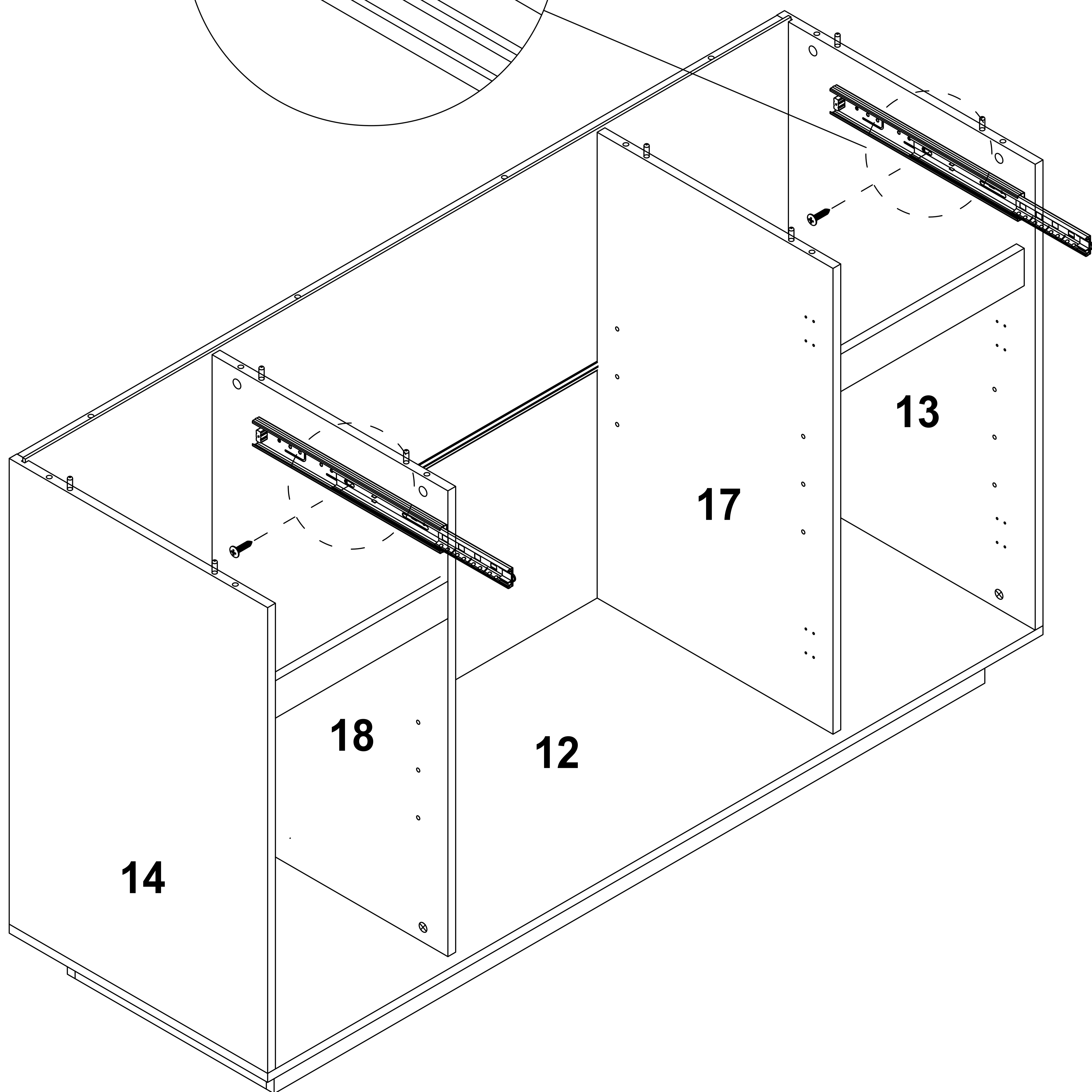
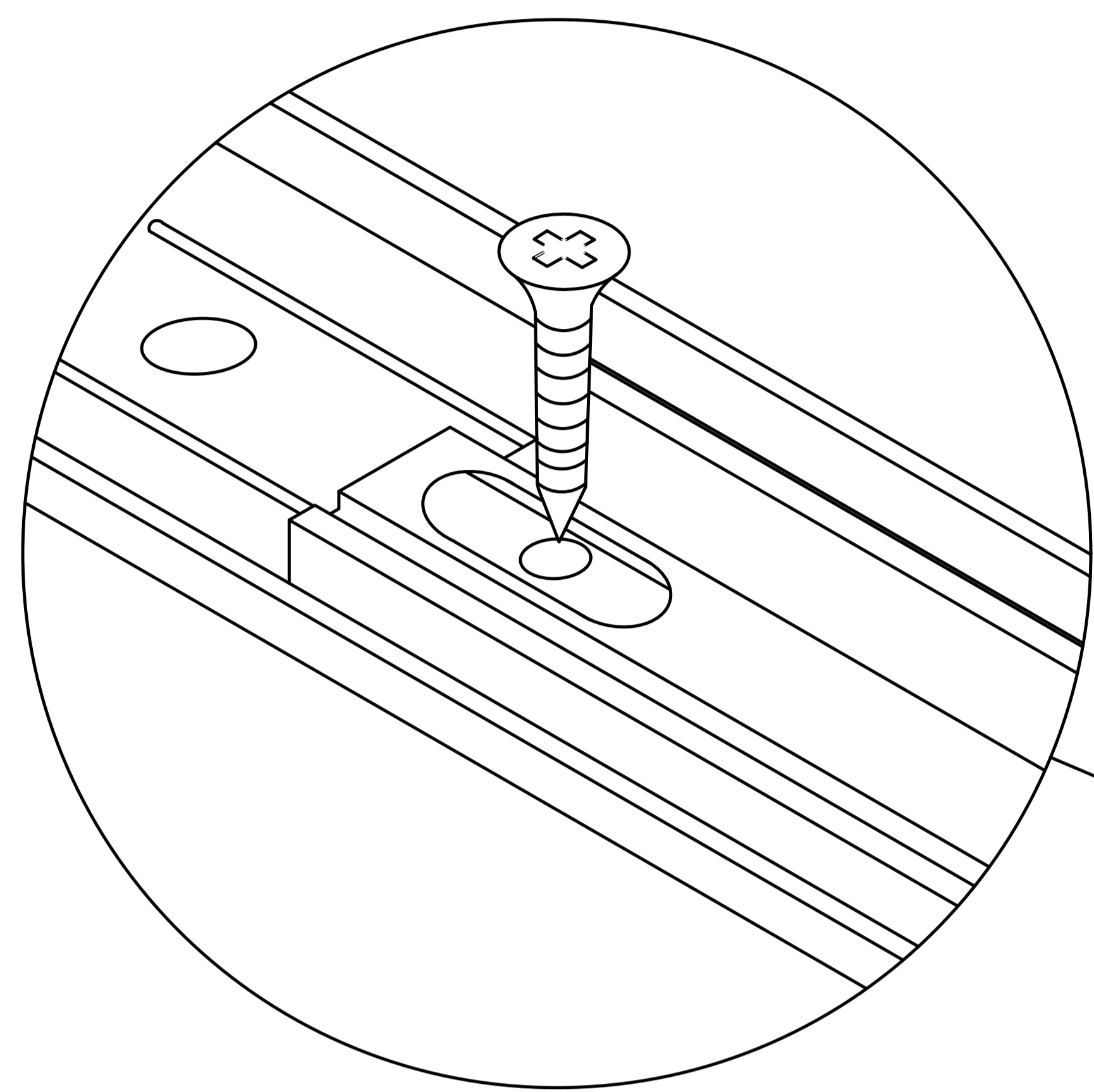
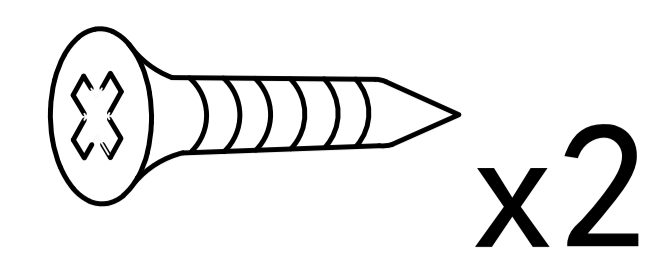
E



Step 39

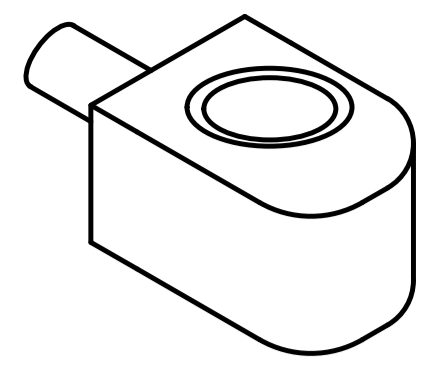


E

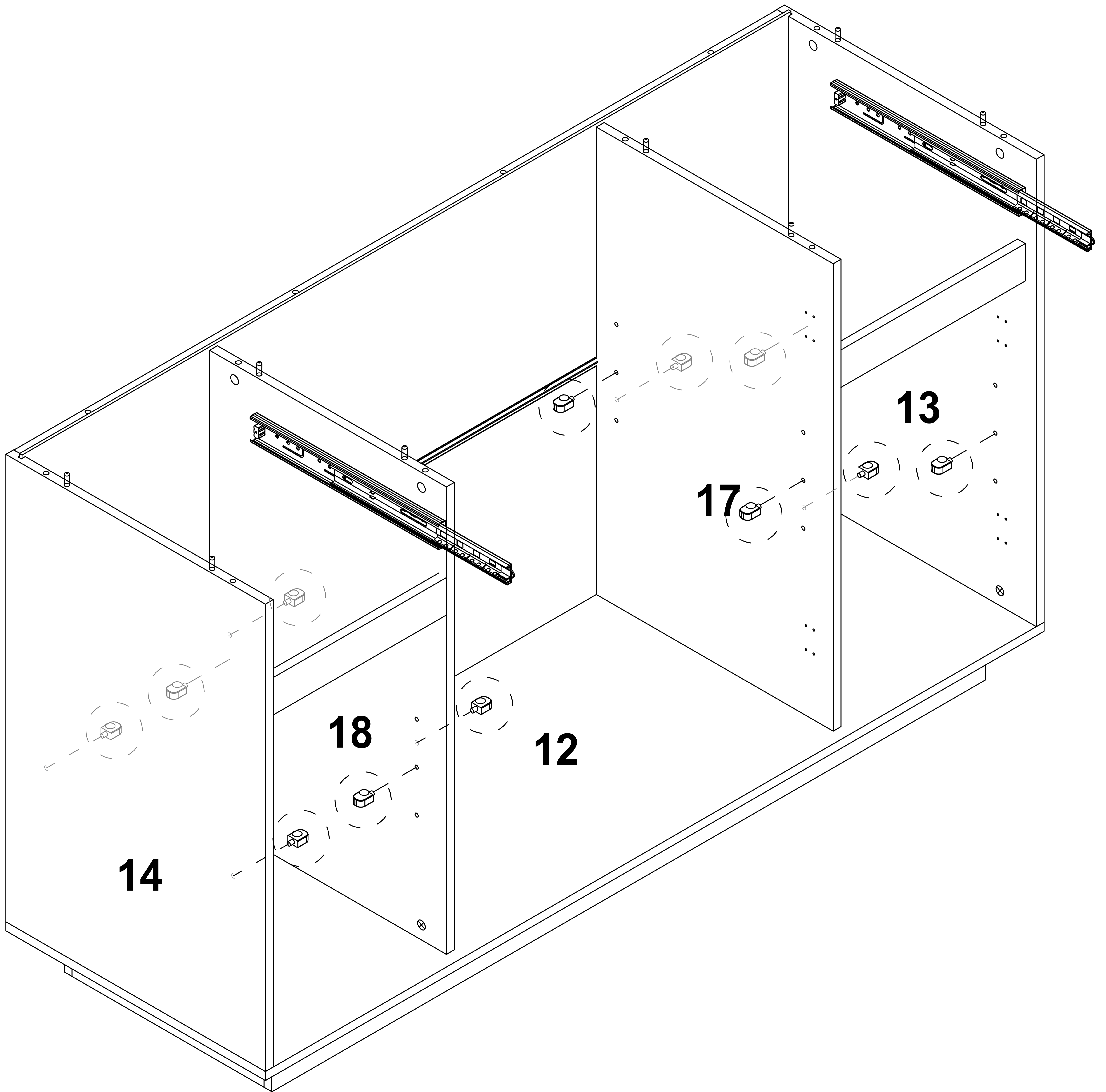


Step 40

F

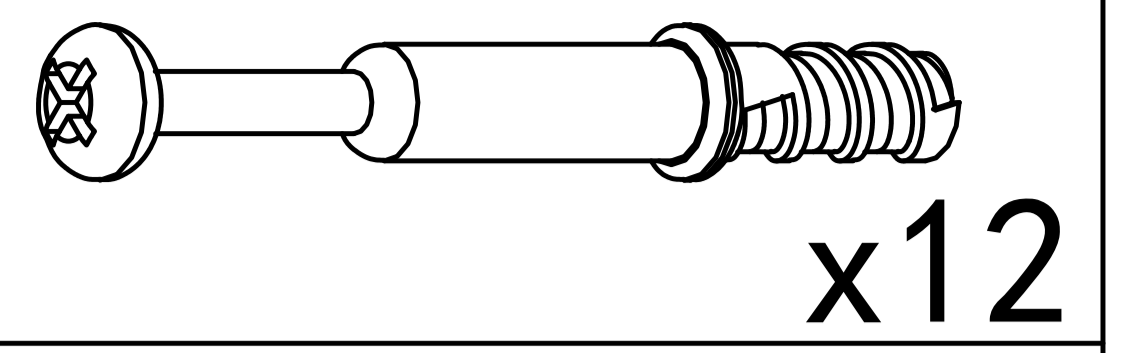


x12

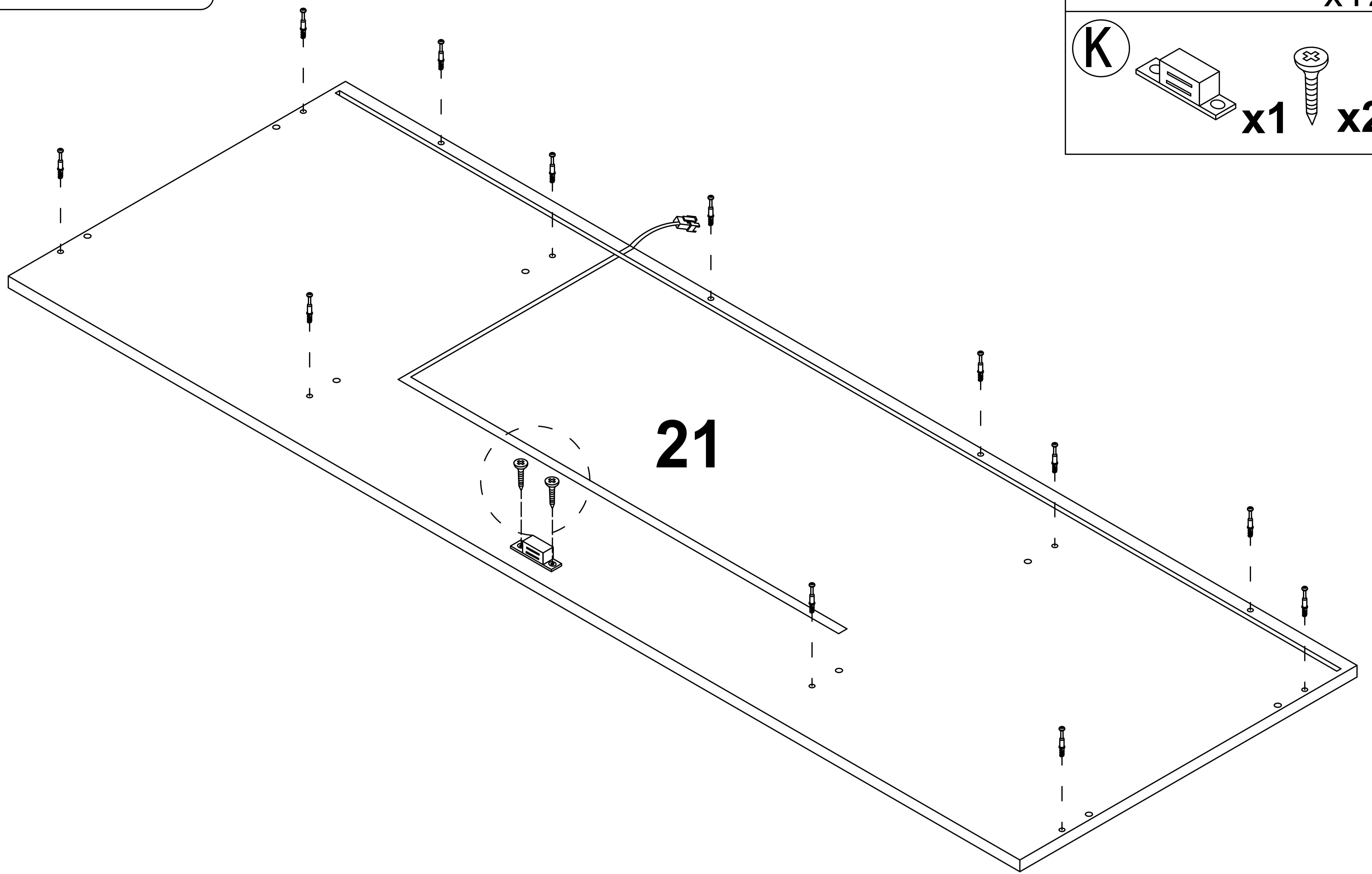
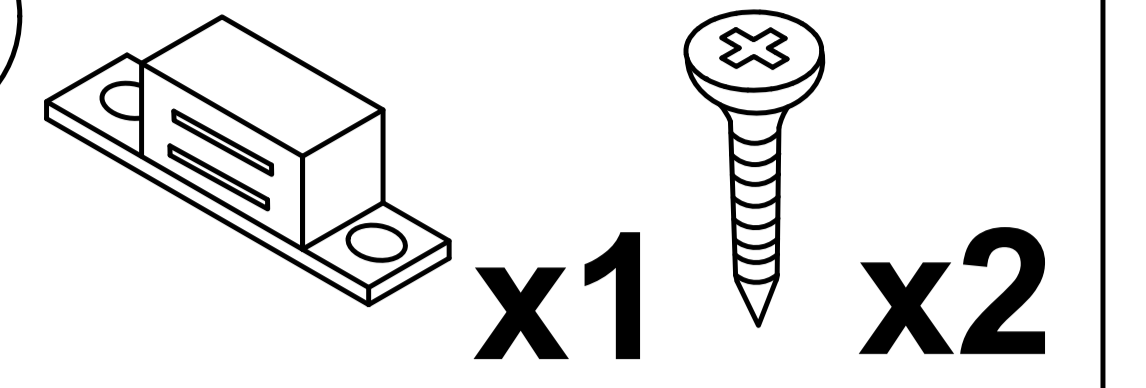


Step 41

A

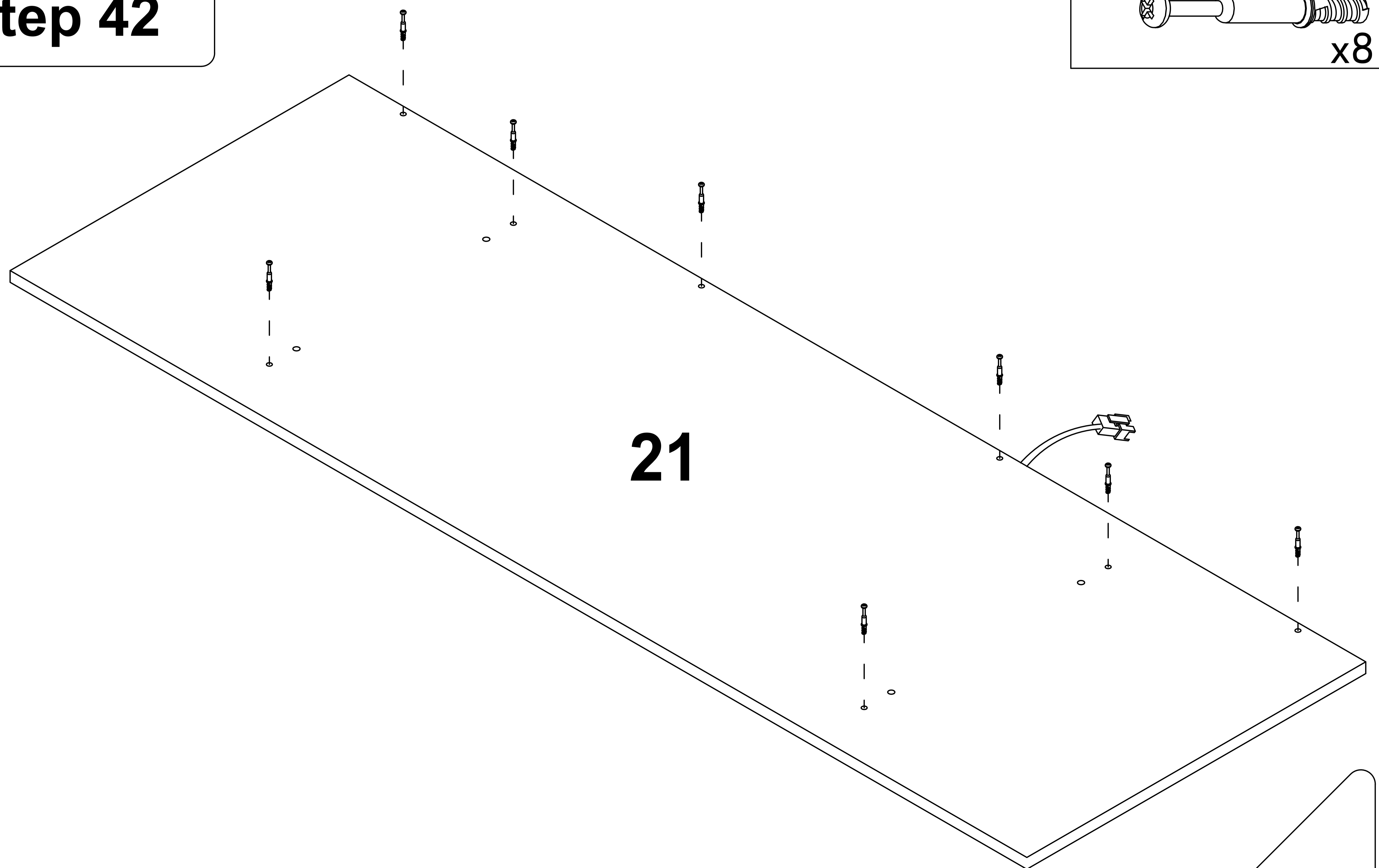
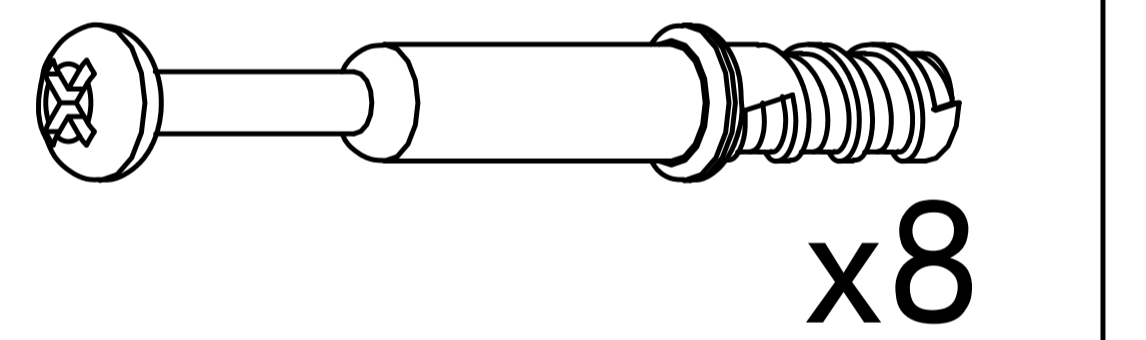


K



Step 42

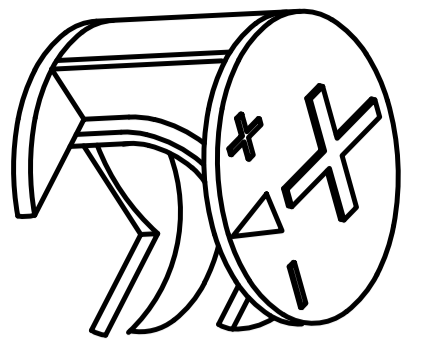
A



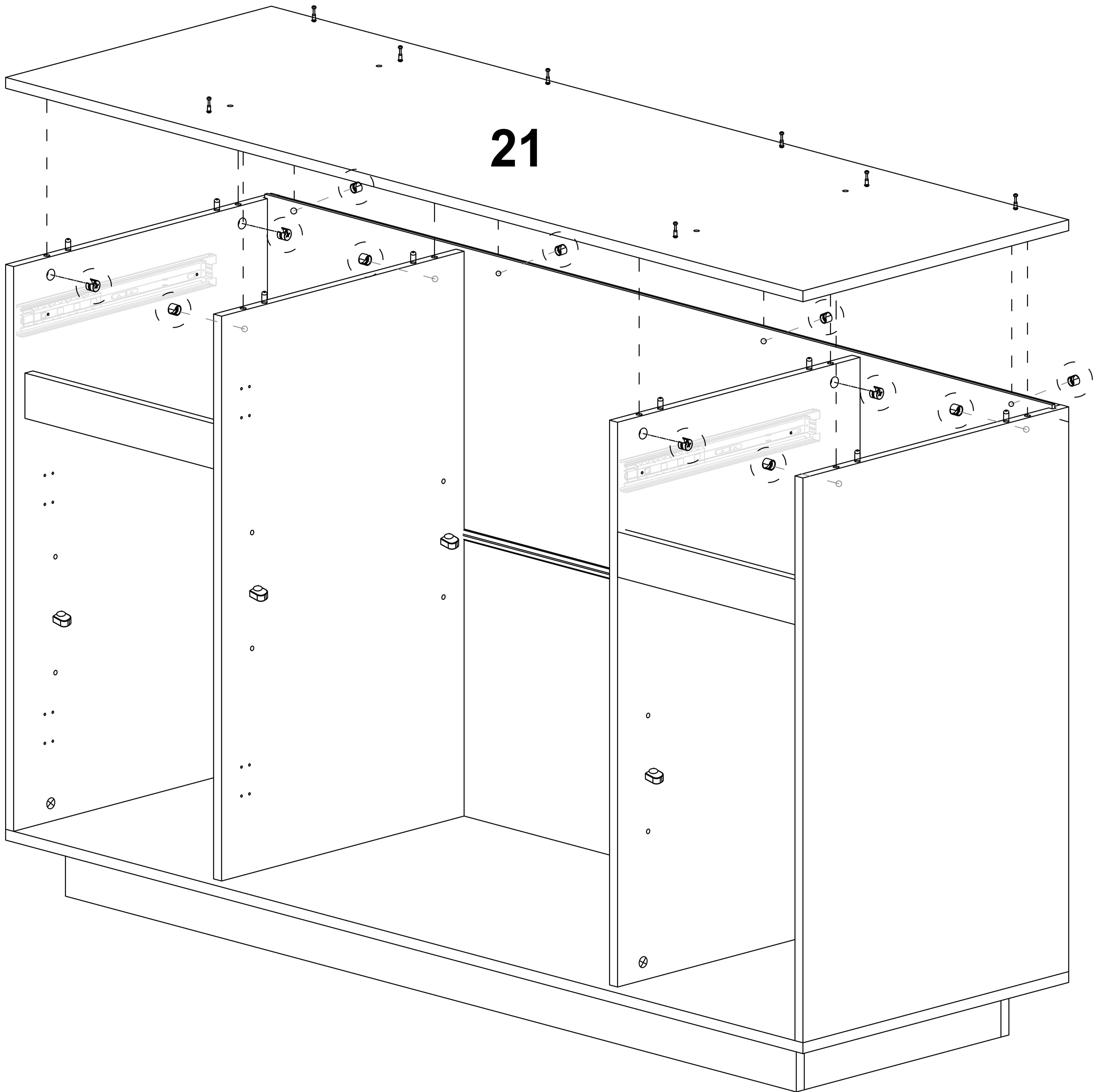
32

Step 43

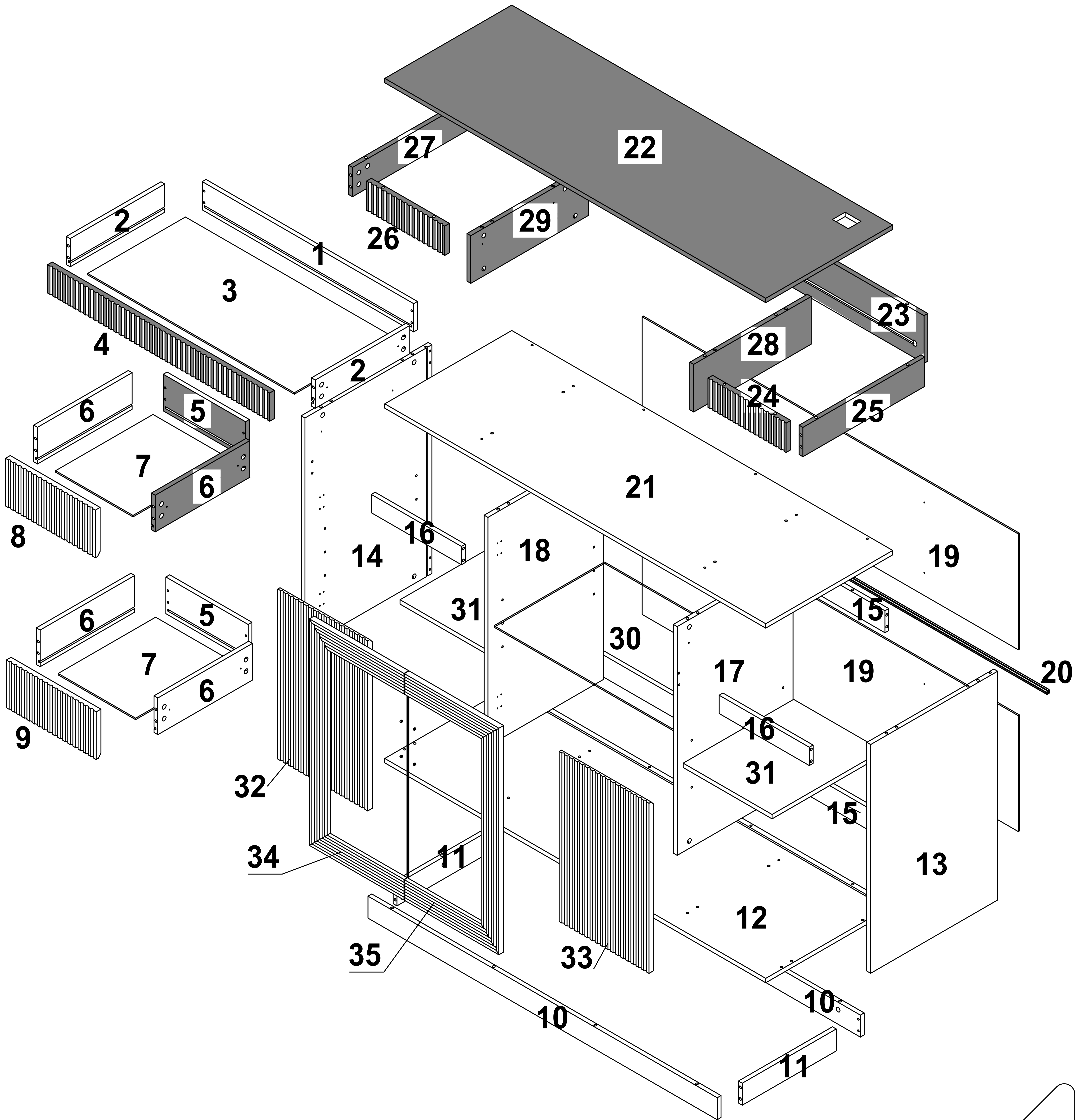
B



x12

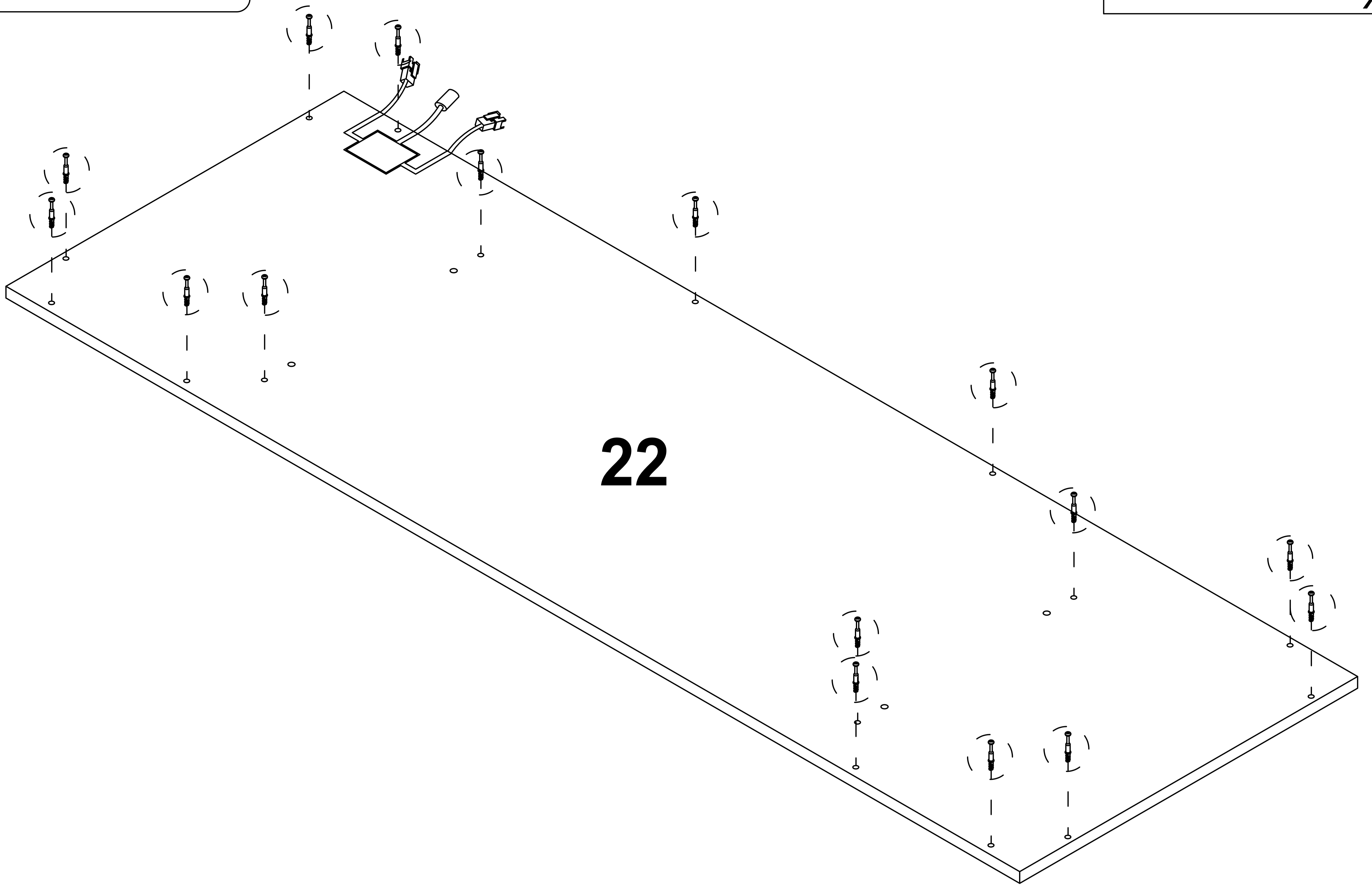
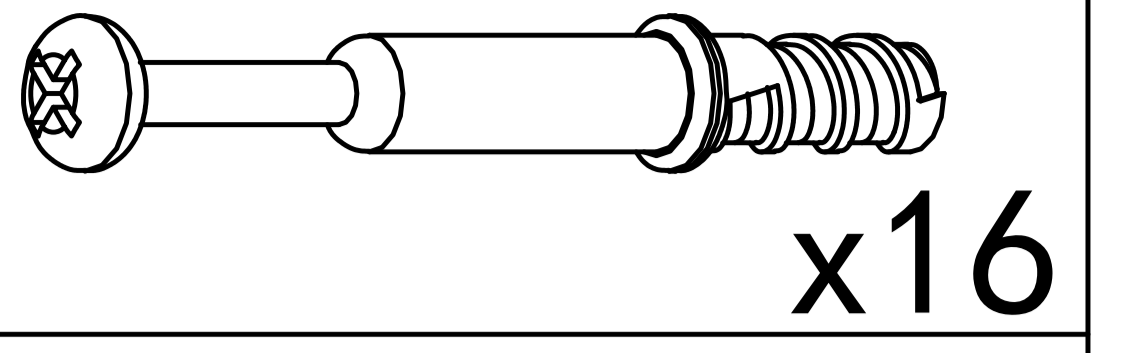


Product structure decomposition



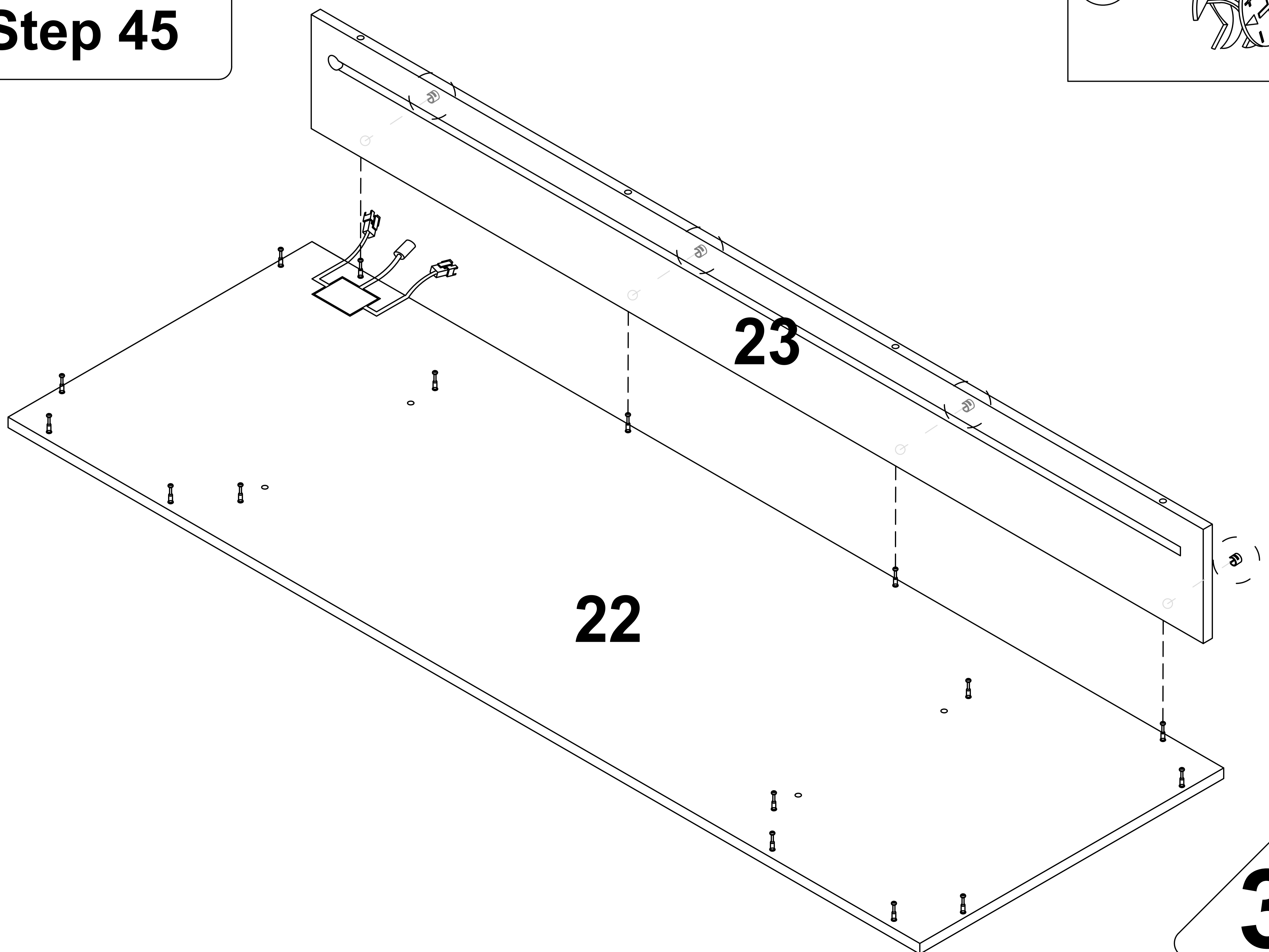
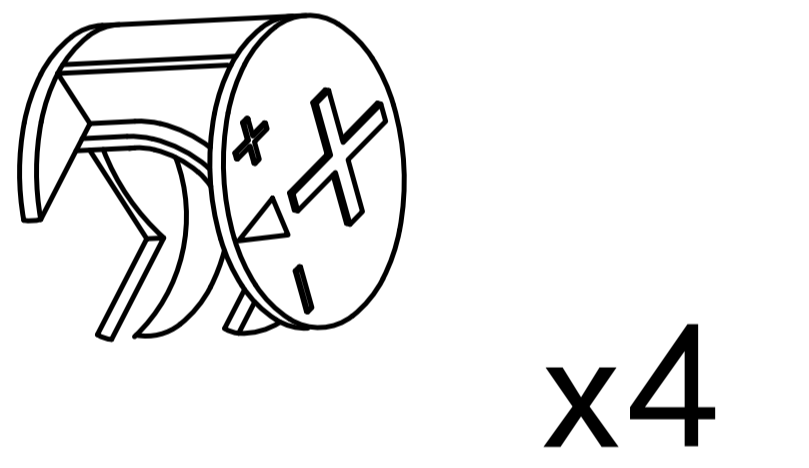
Step 44

A



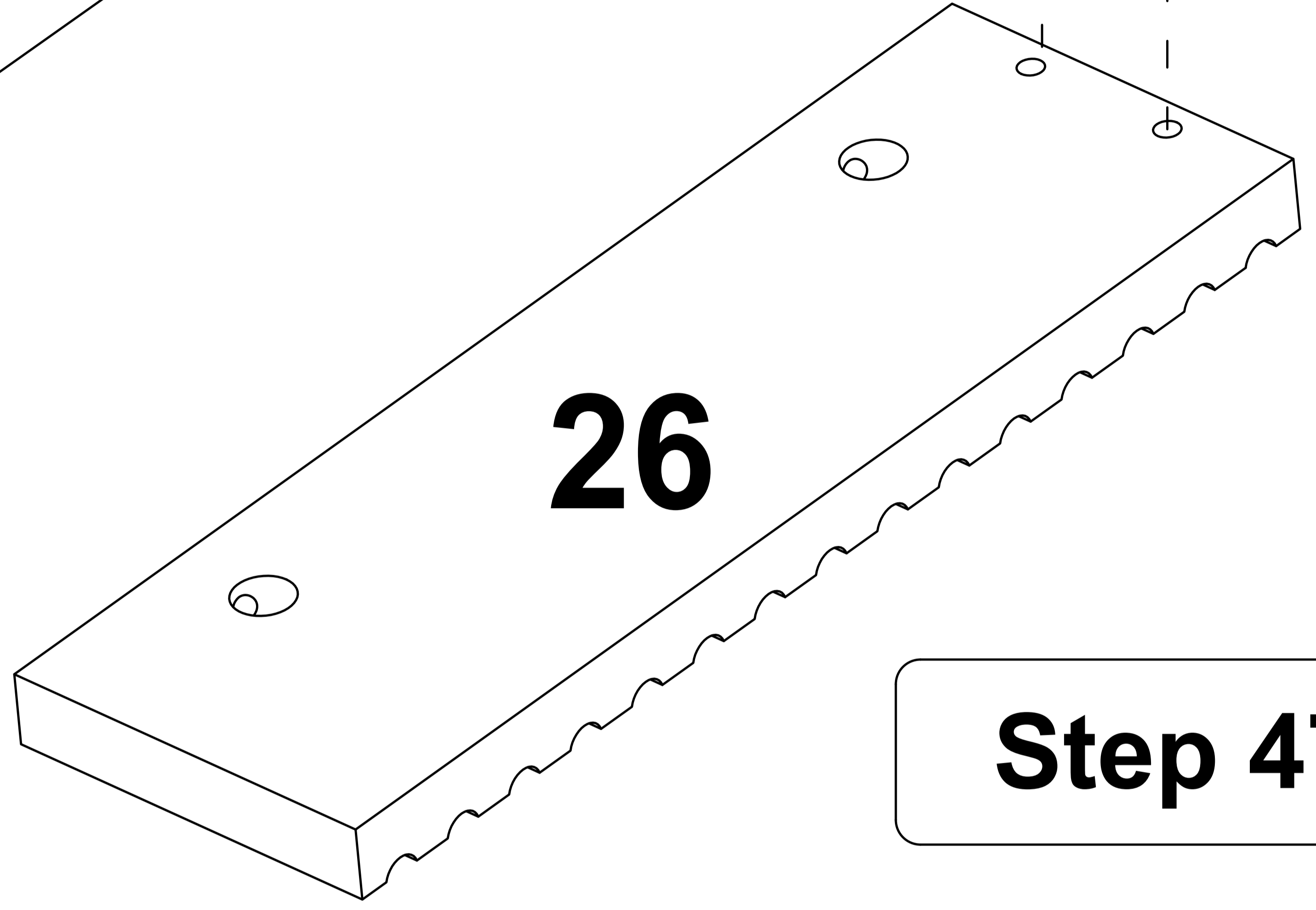
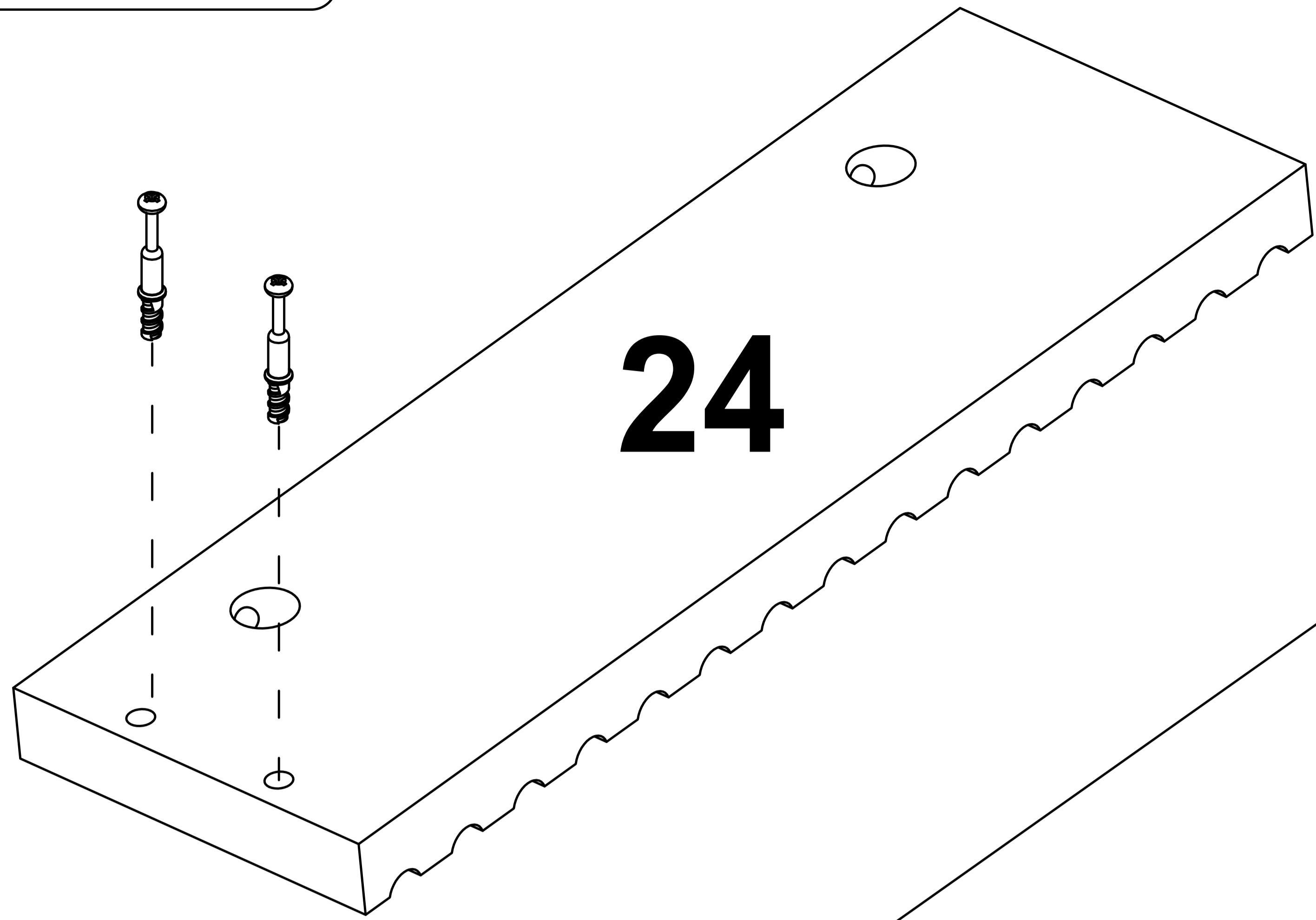
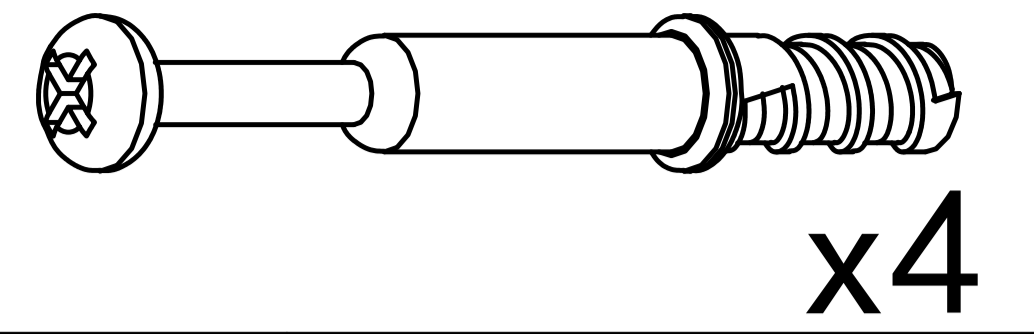
Step 45

B



Step 46

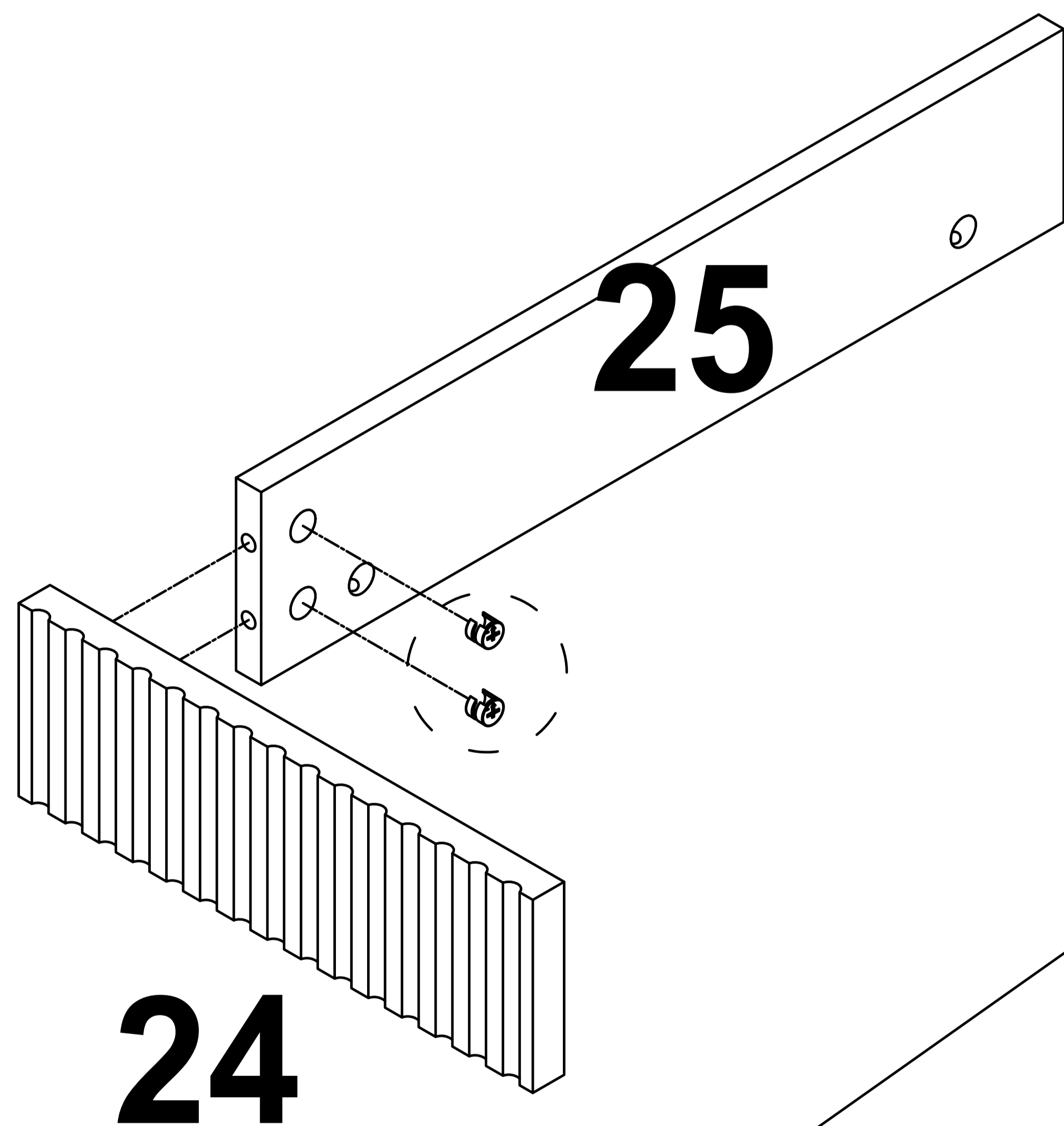
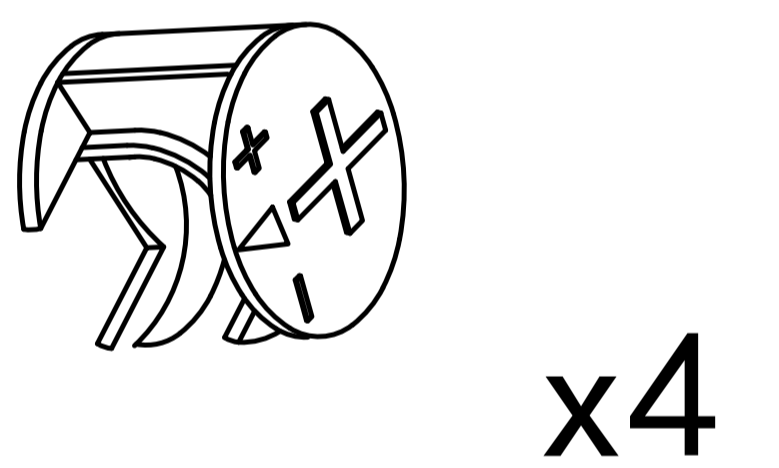
A



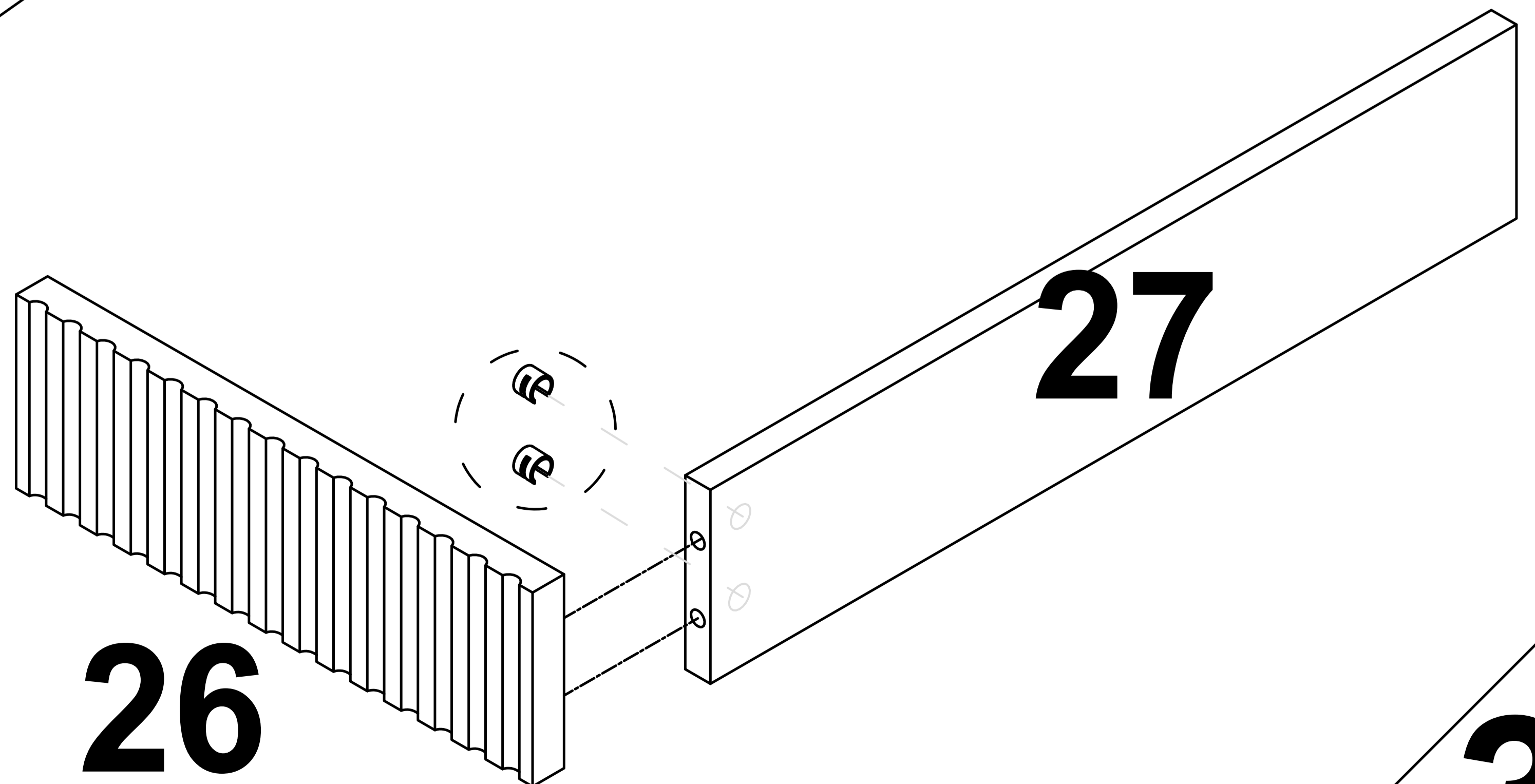
Step 47

Step 48

B



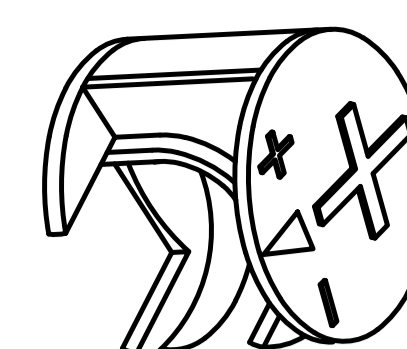
Step 49



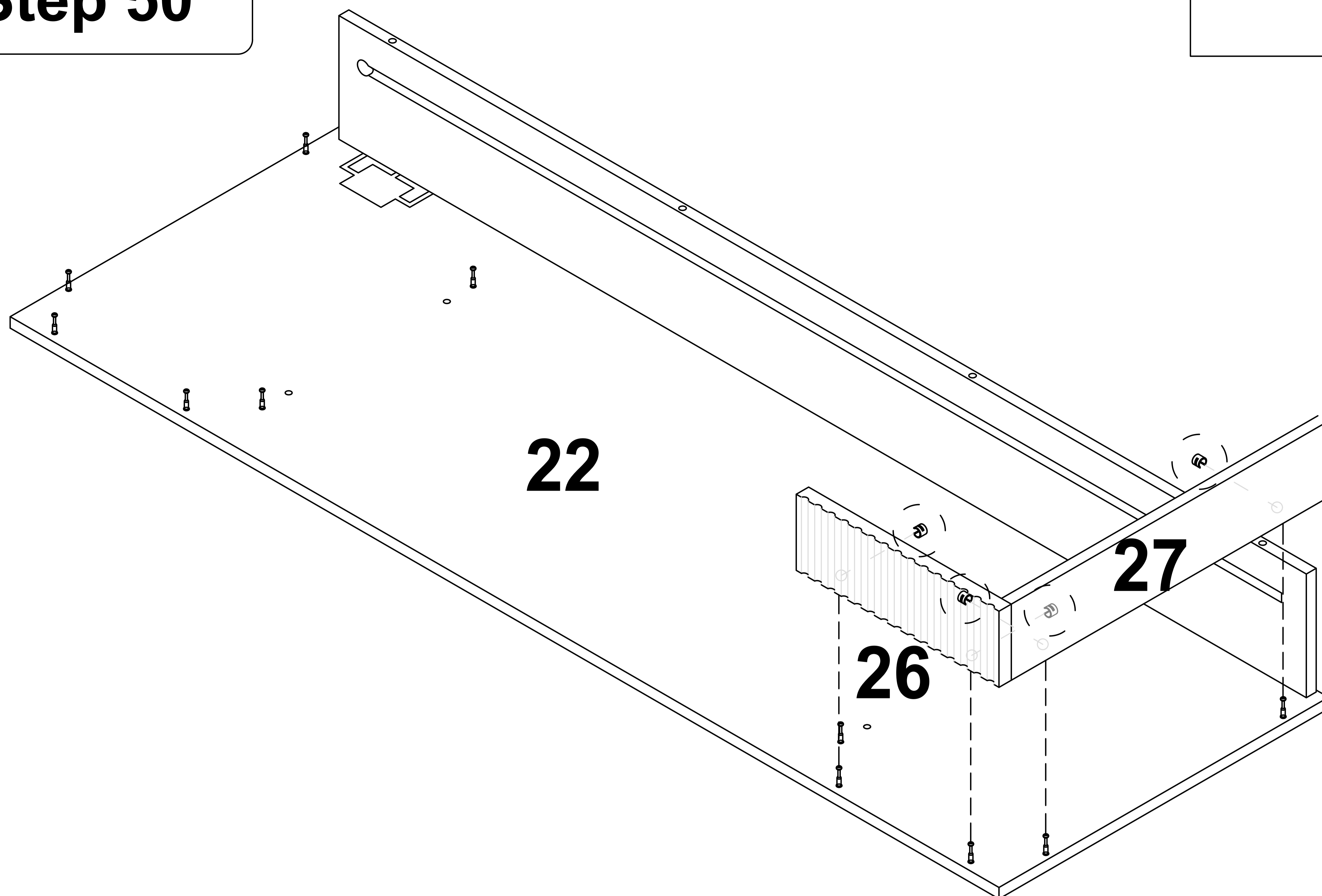
36

Step 50

B

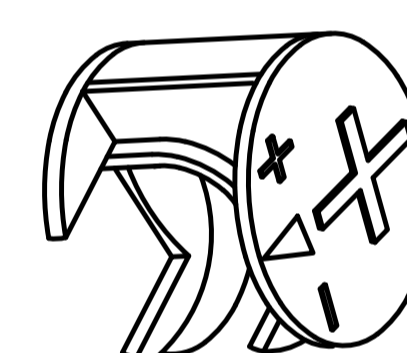


x4

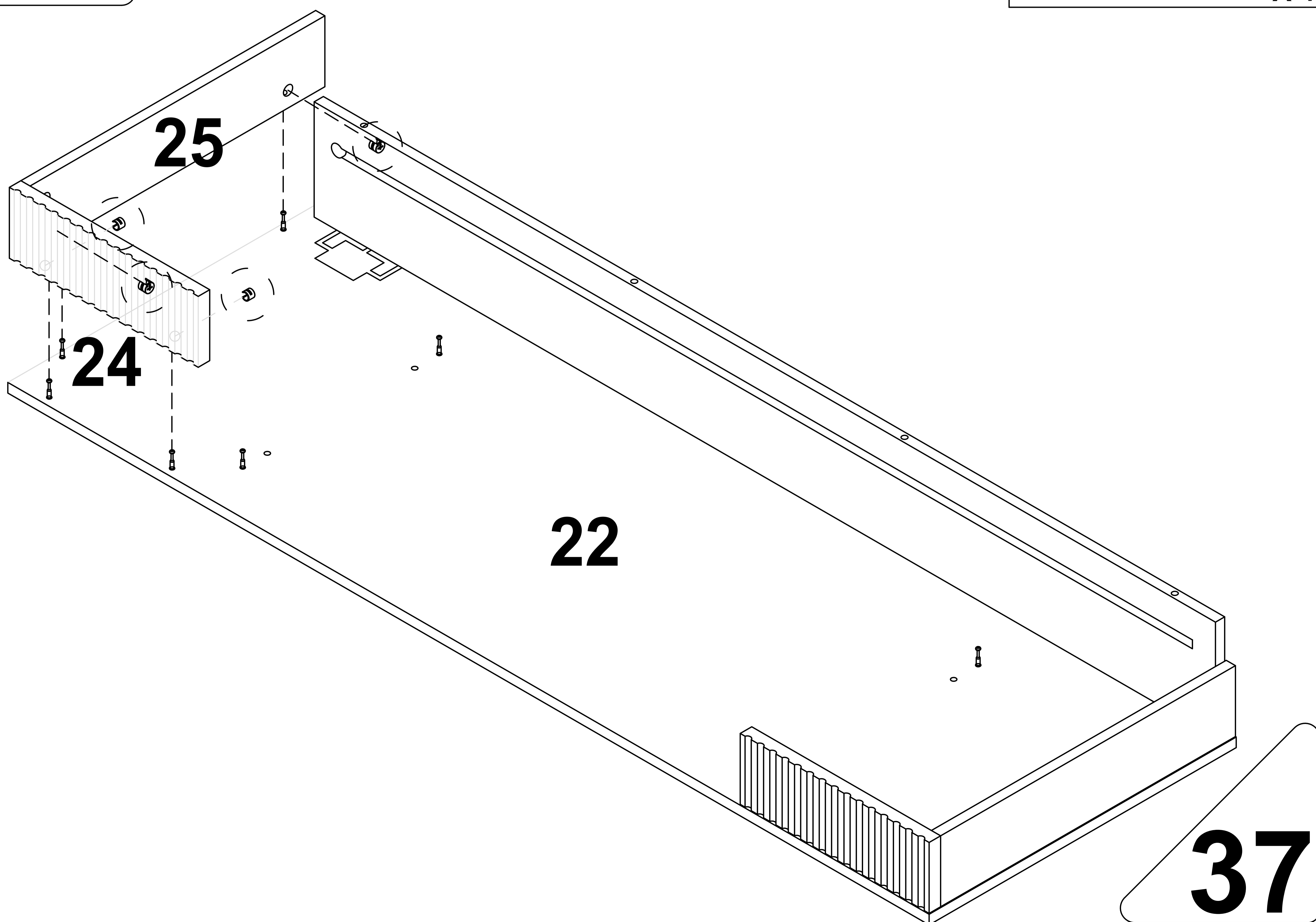


Step 51

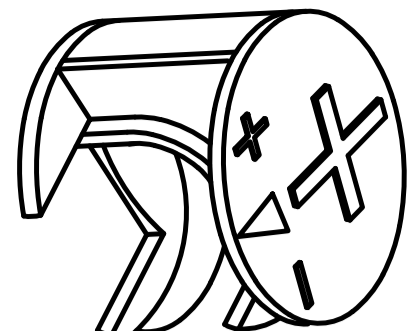

B

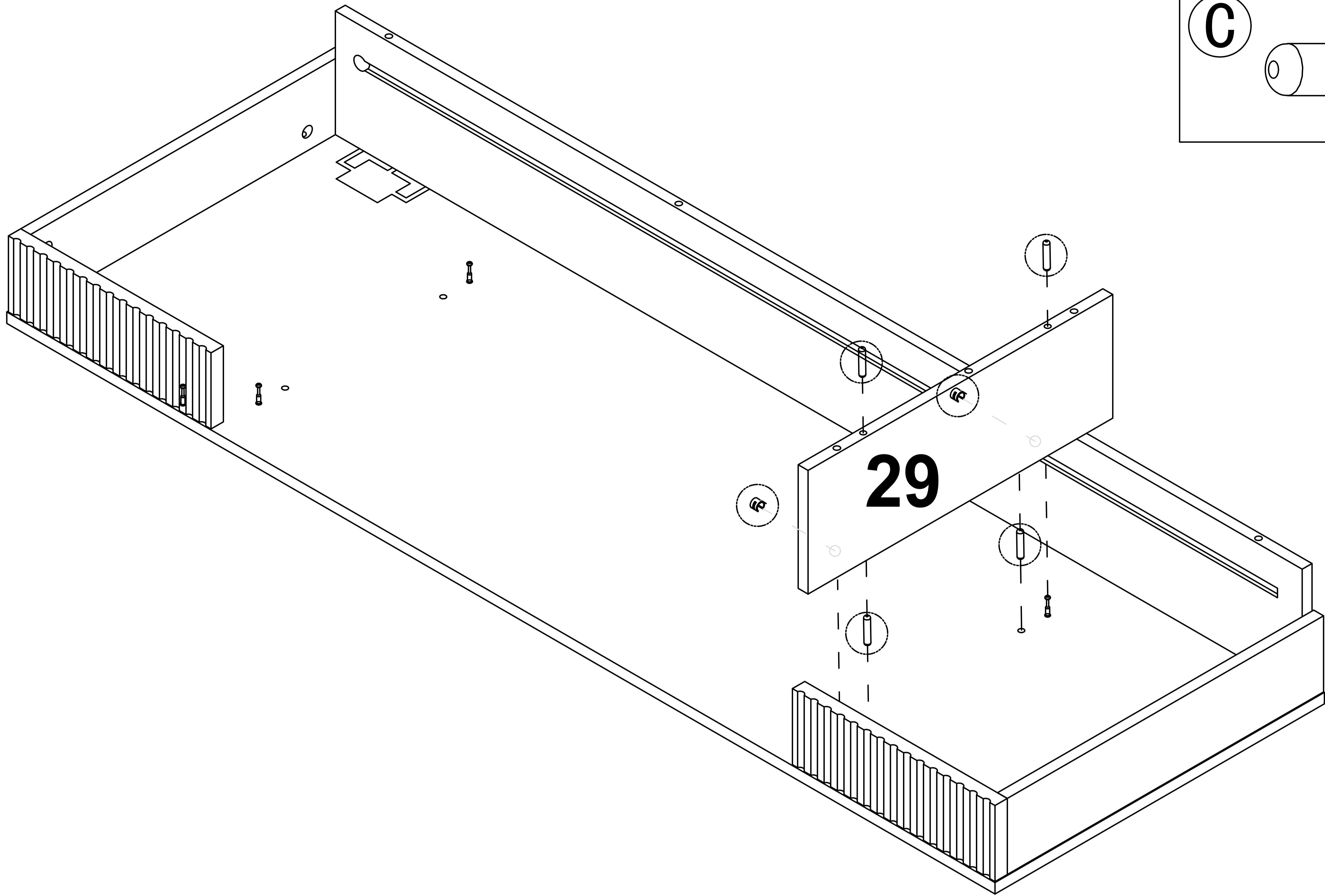


x4

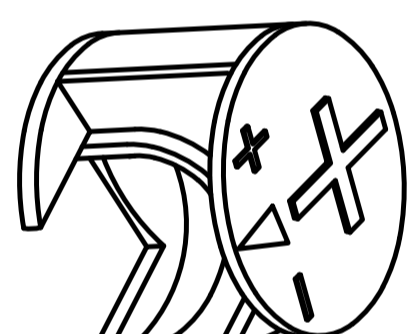
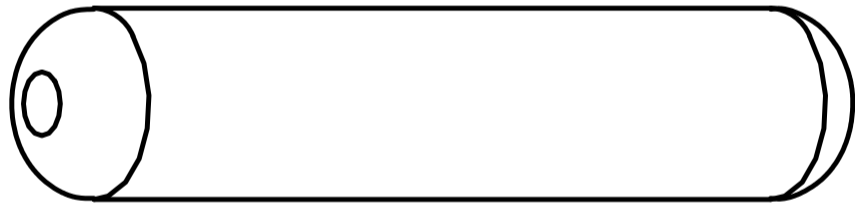


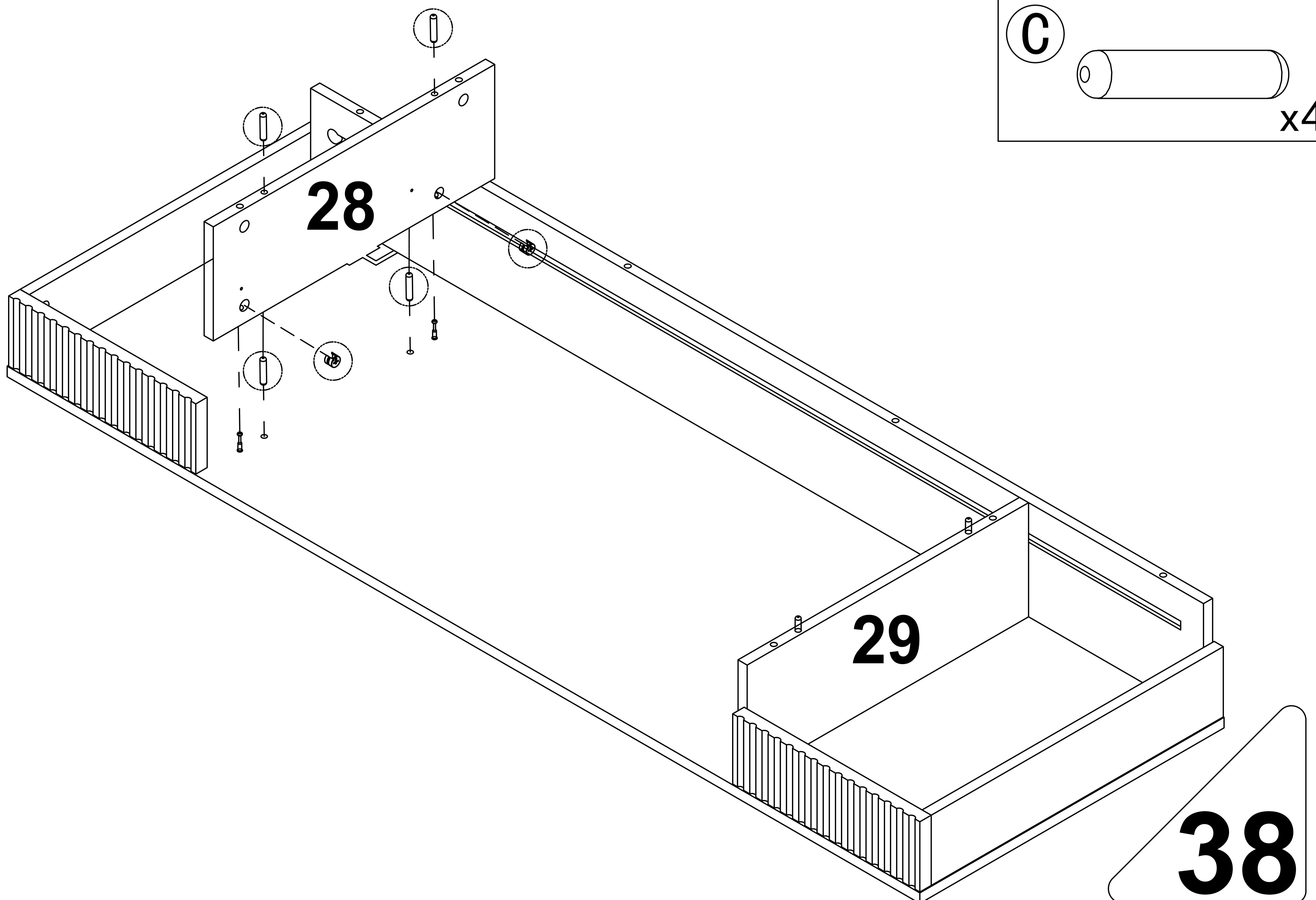
Step 52

- B**  x2
- C**  x4

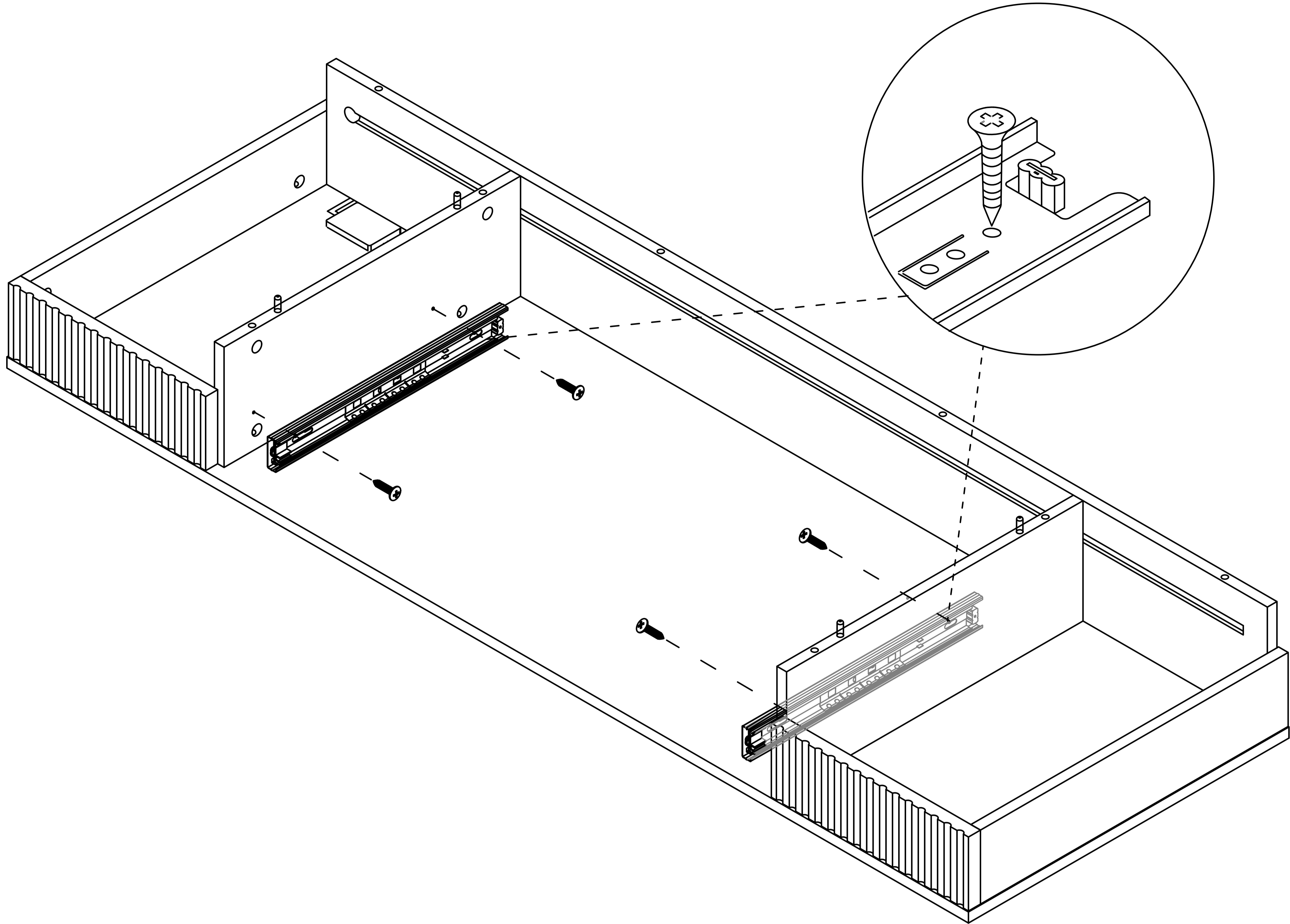
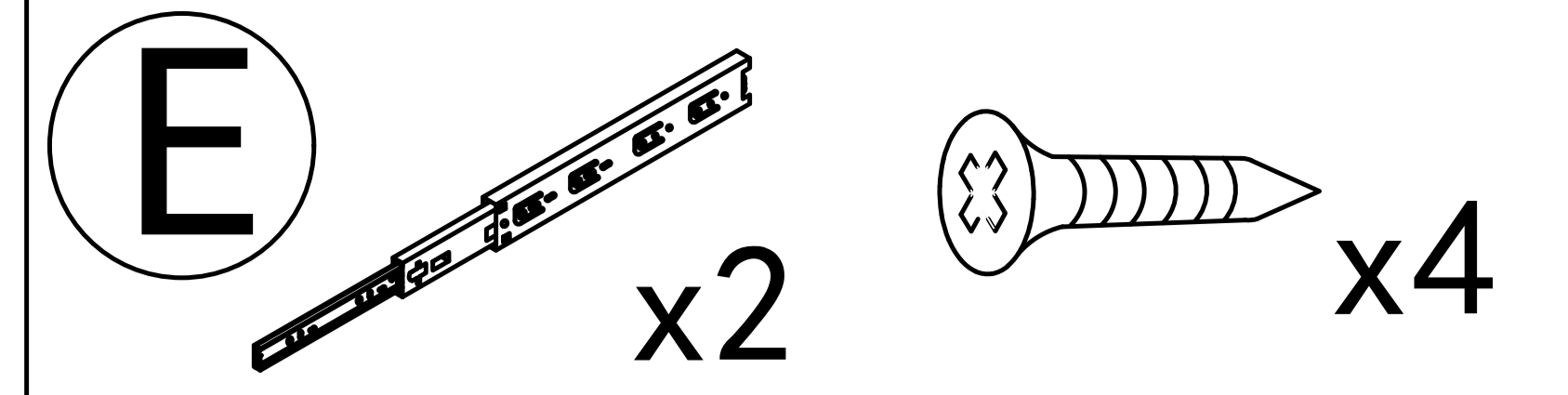
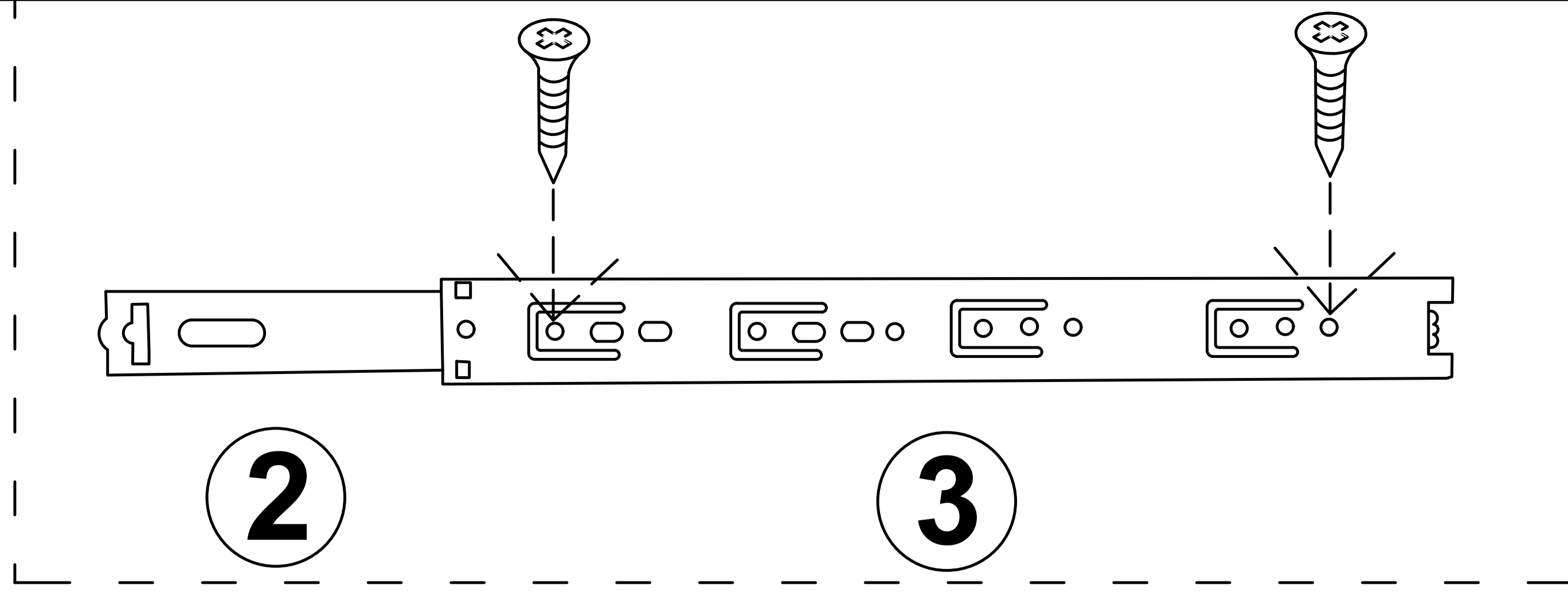


Step 53

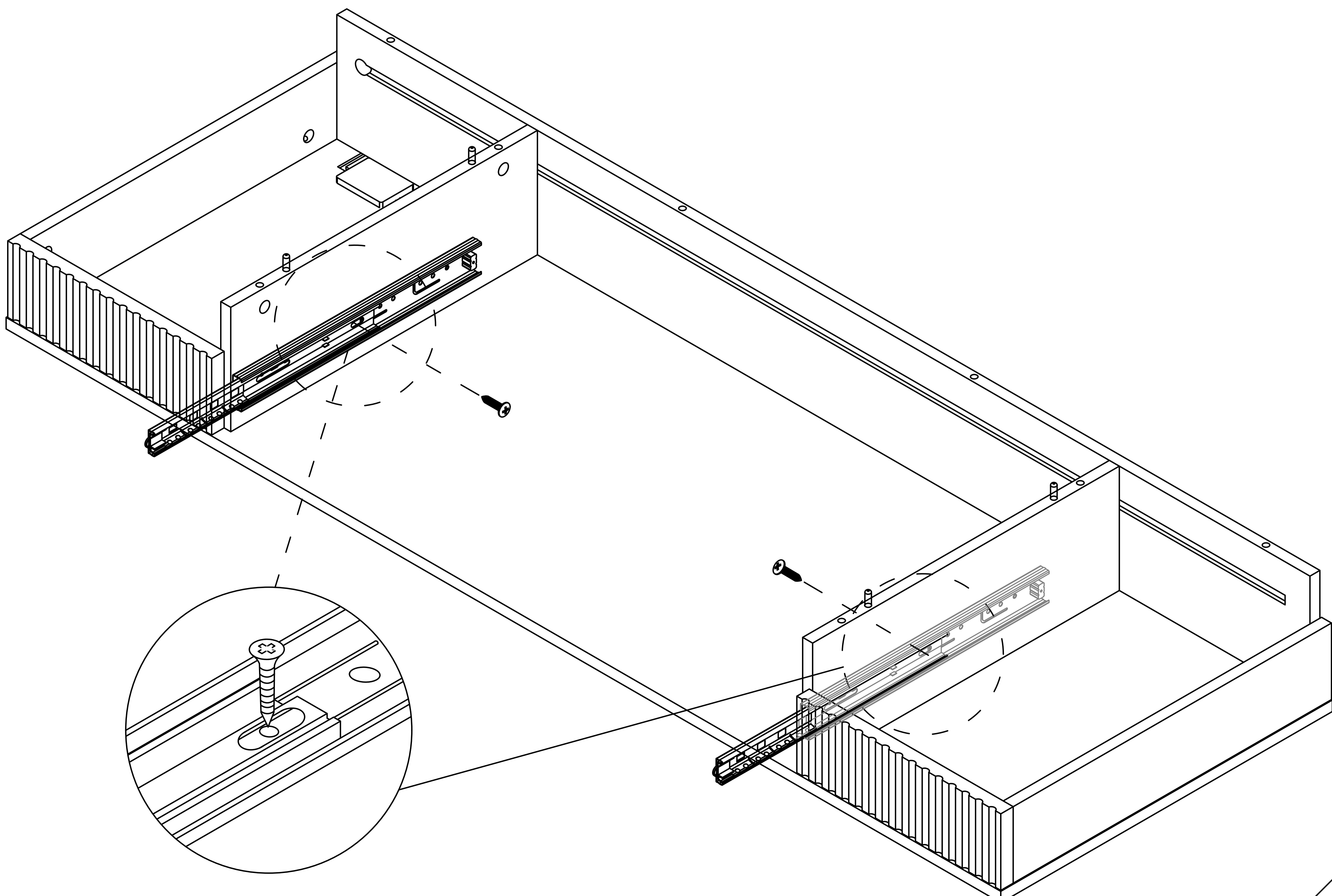
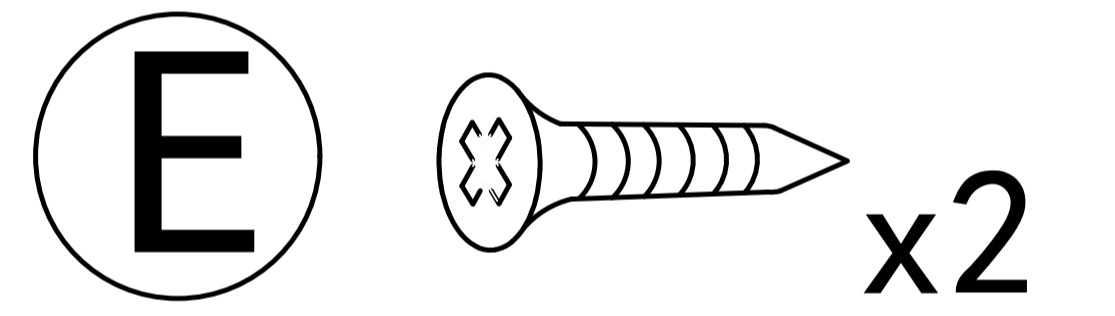
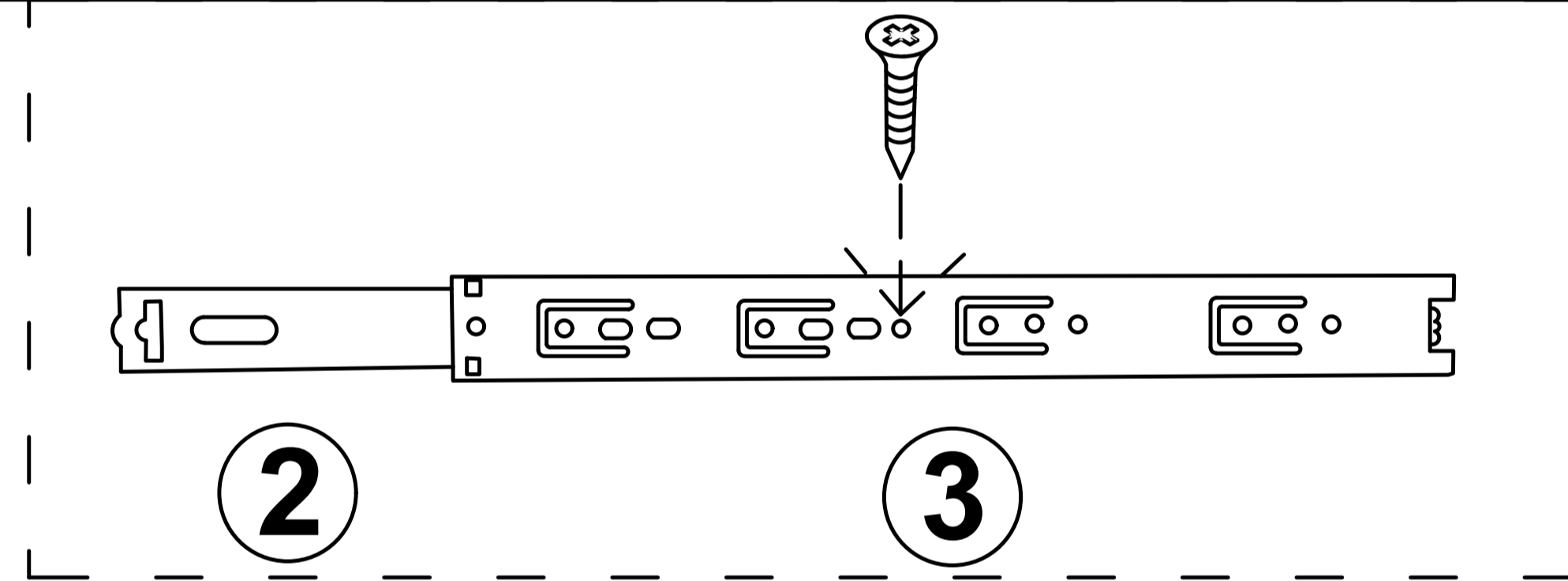
- B**  x2
- C**  x4



Step 54

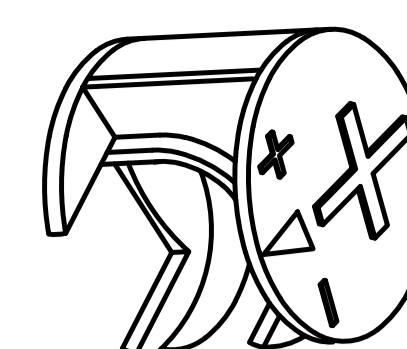


Step 55



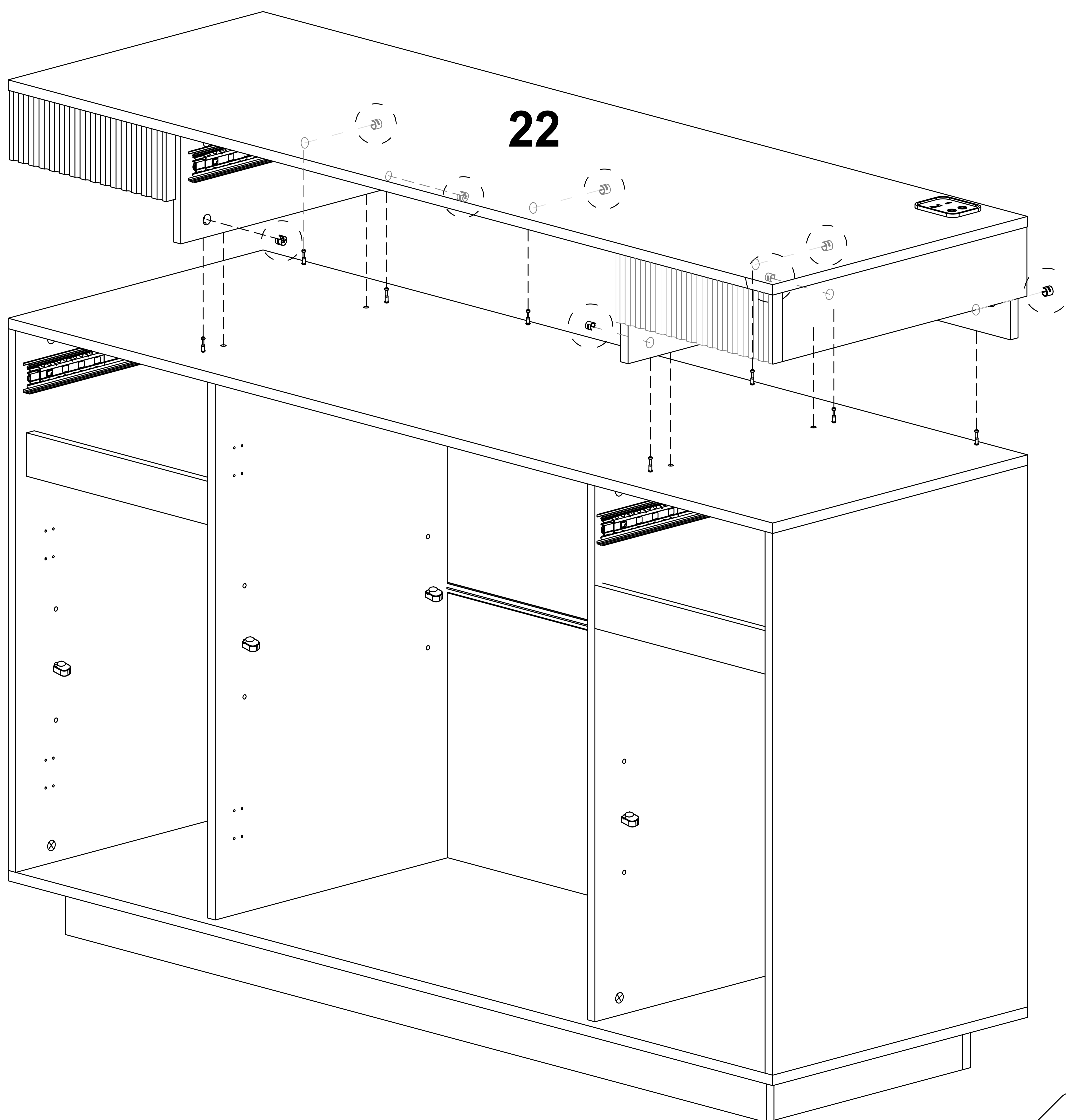
Step 56

B

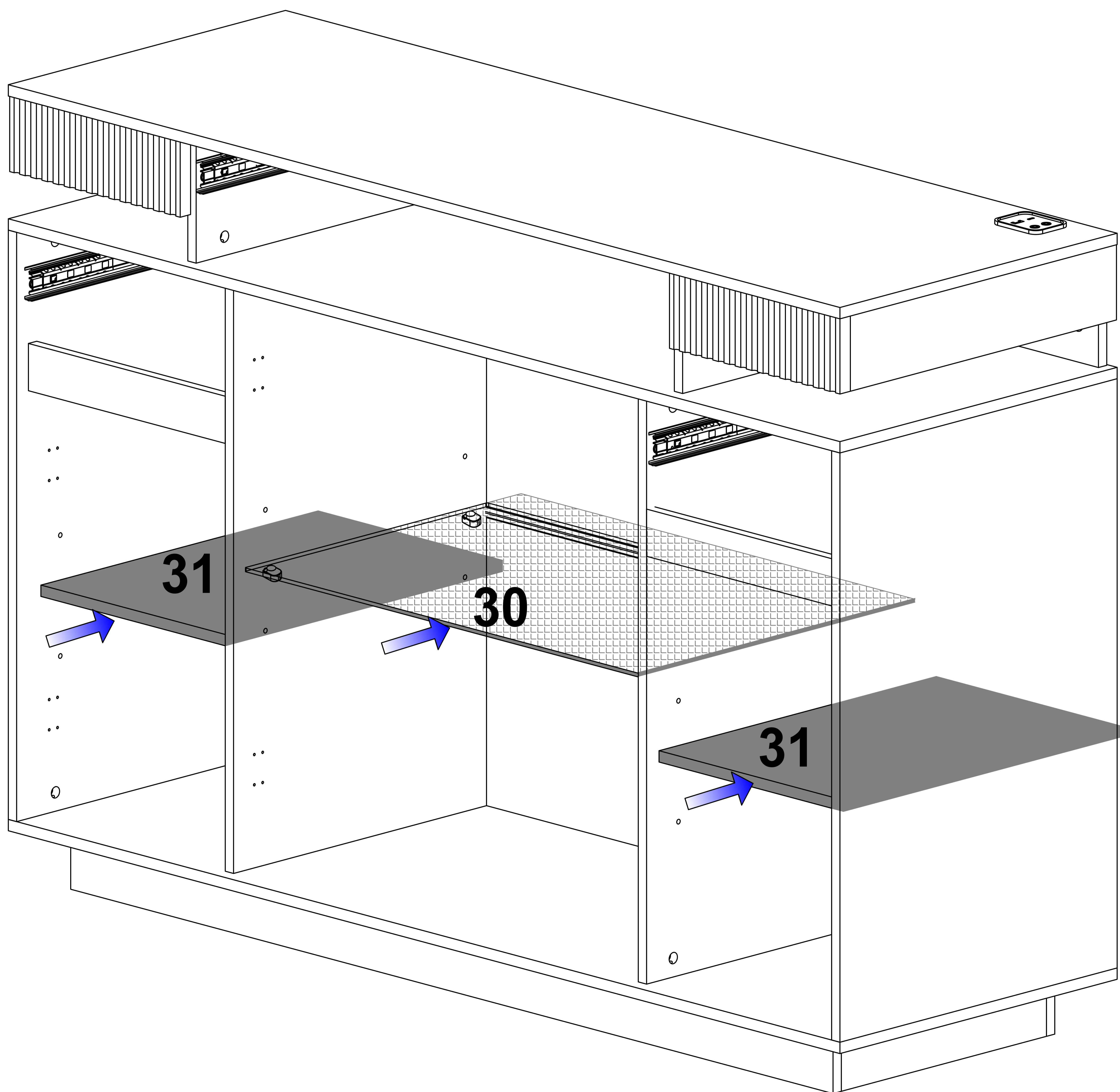


x8

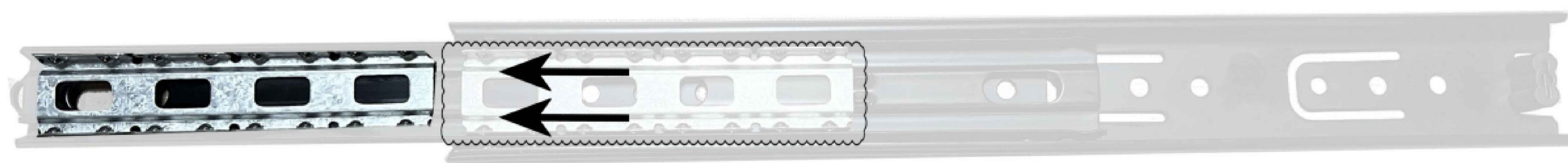
It is recommended that two people work together to install the structural wood panels.



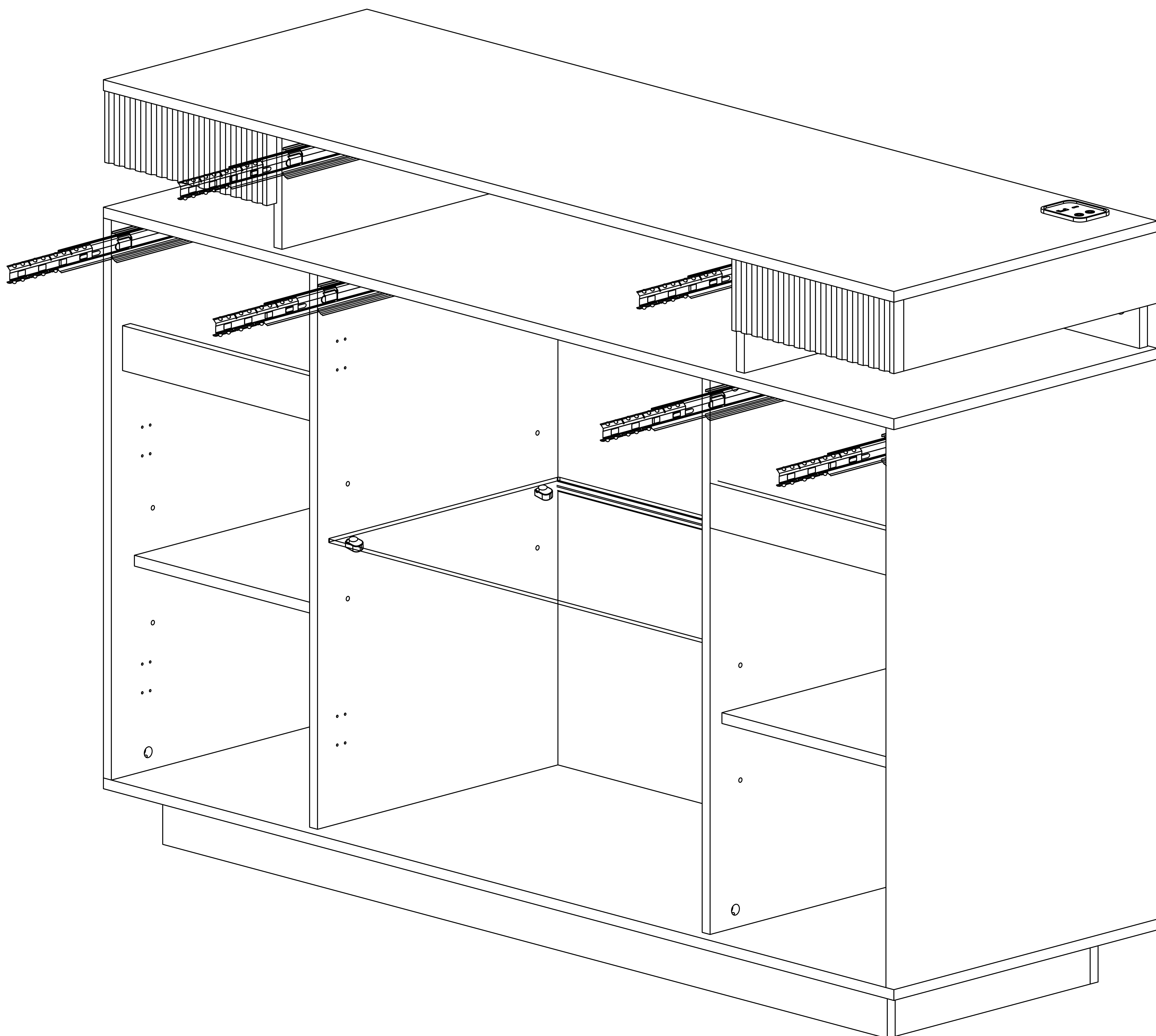
Step 57



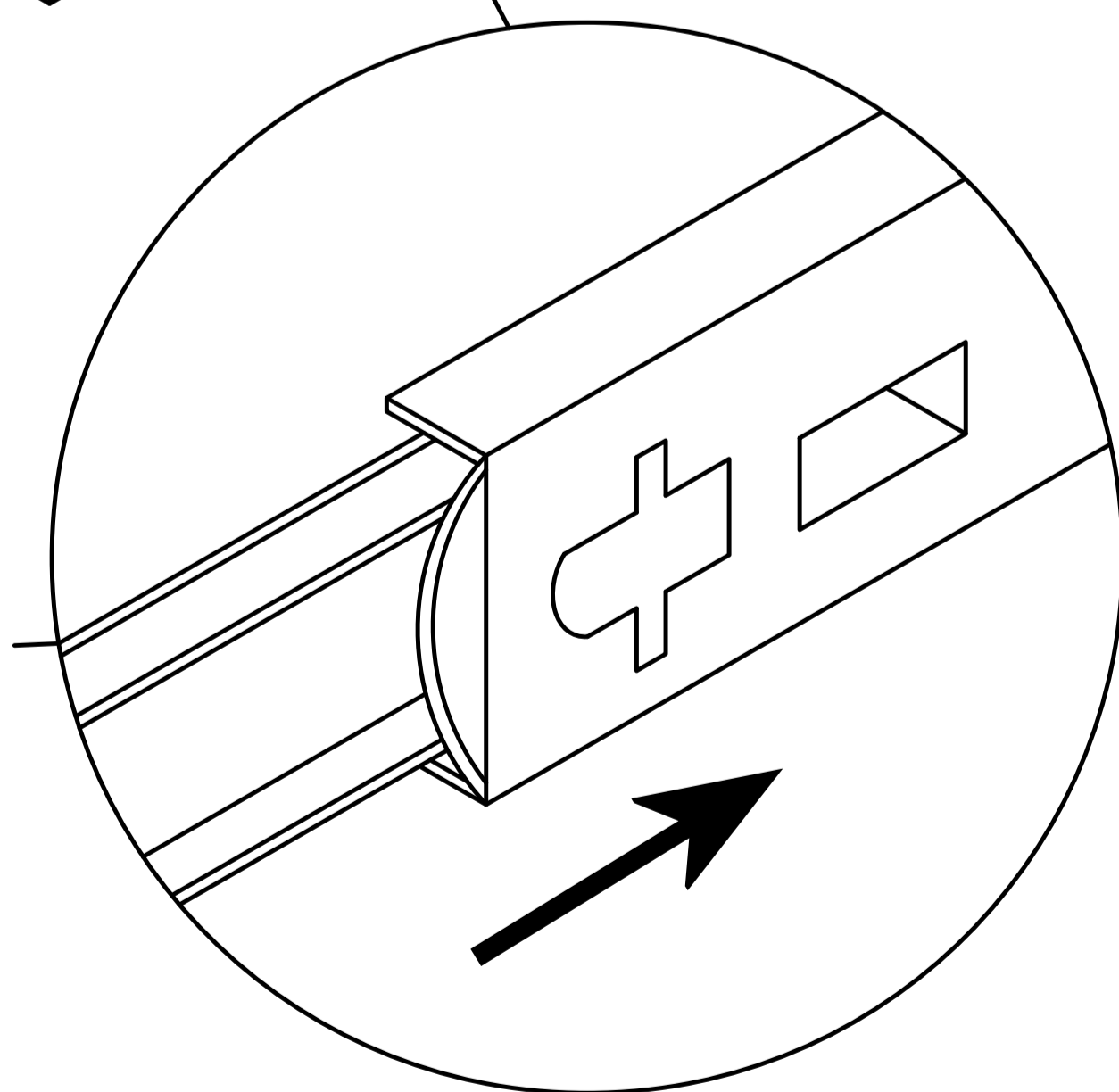
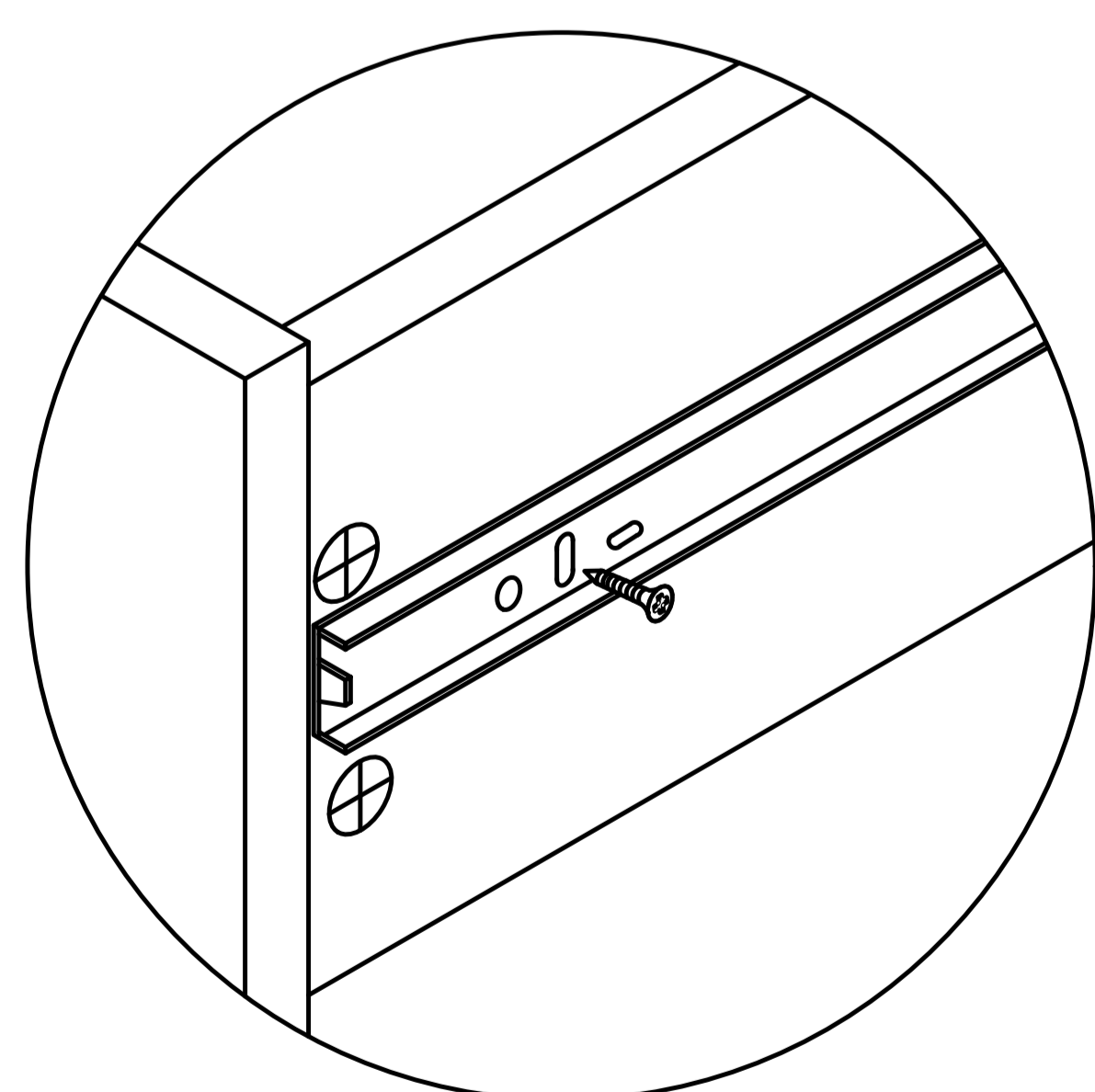
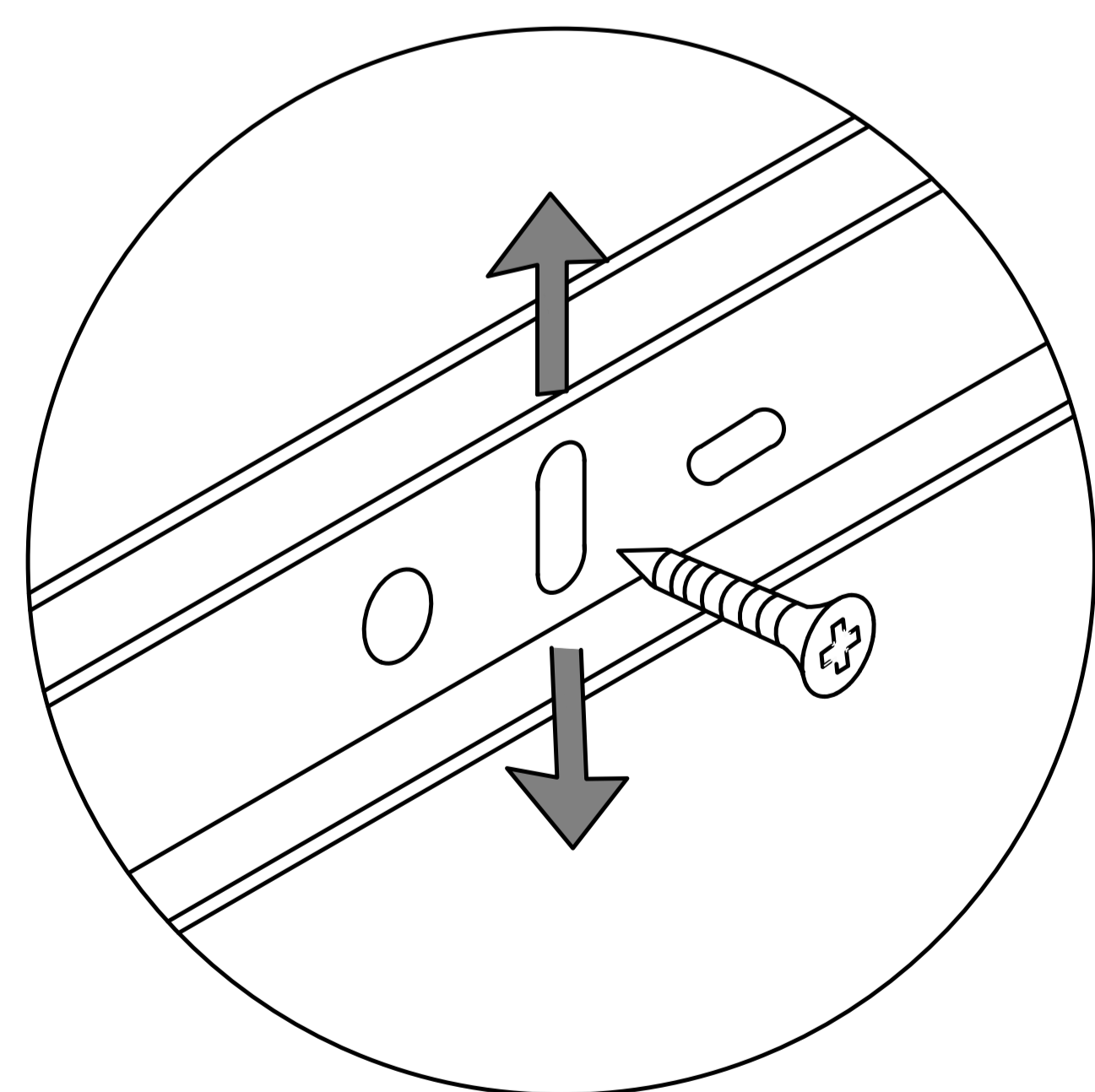
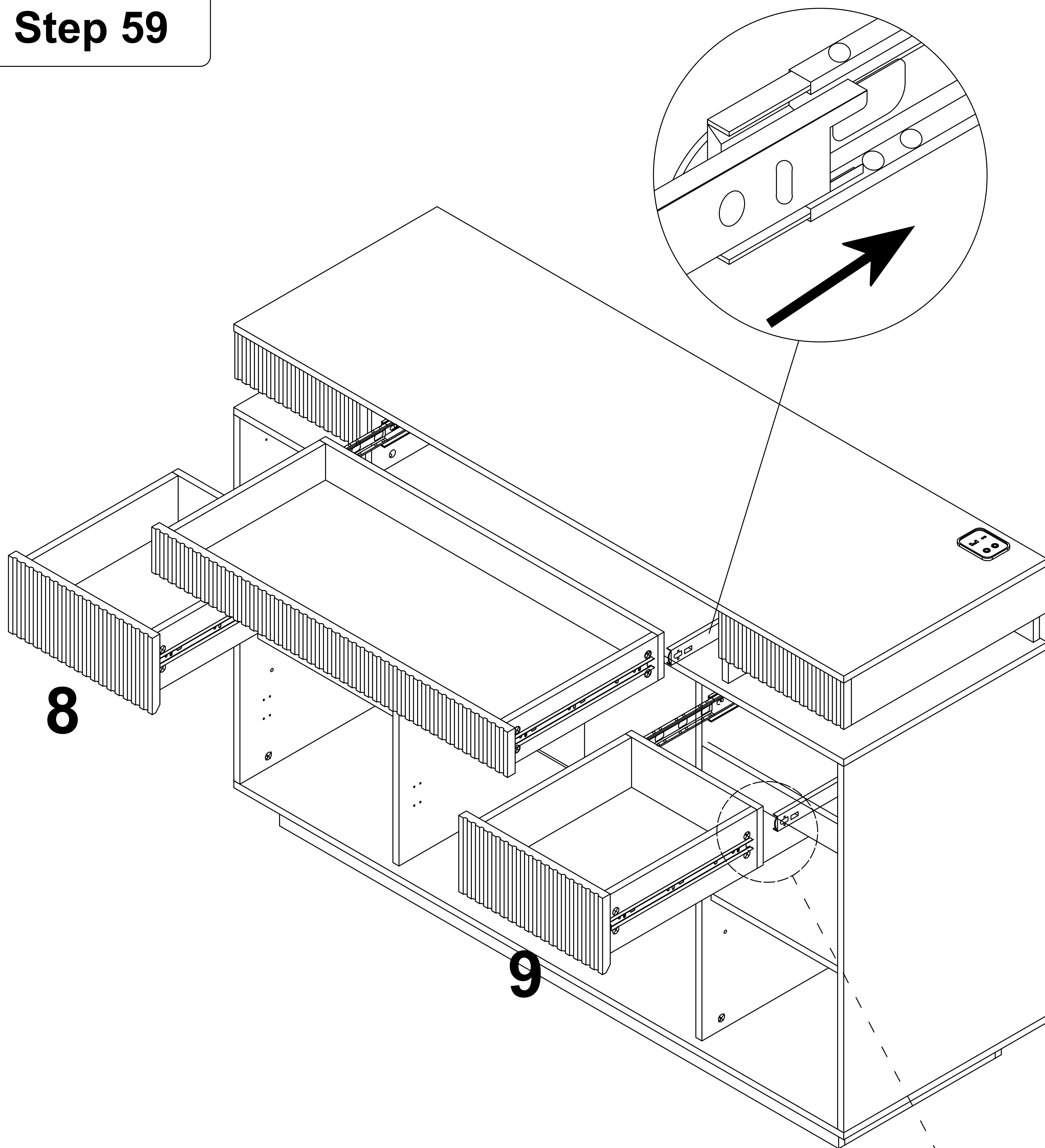
Step 58



As shown, When installing the drawer, pull the guide rail out first, Slide beads are also pulled out.

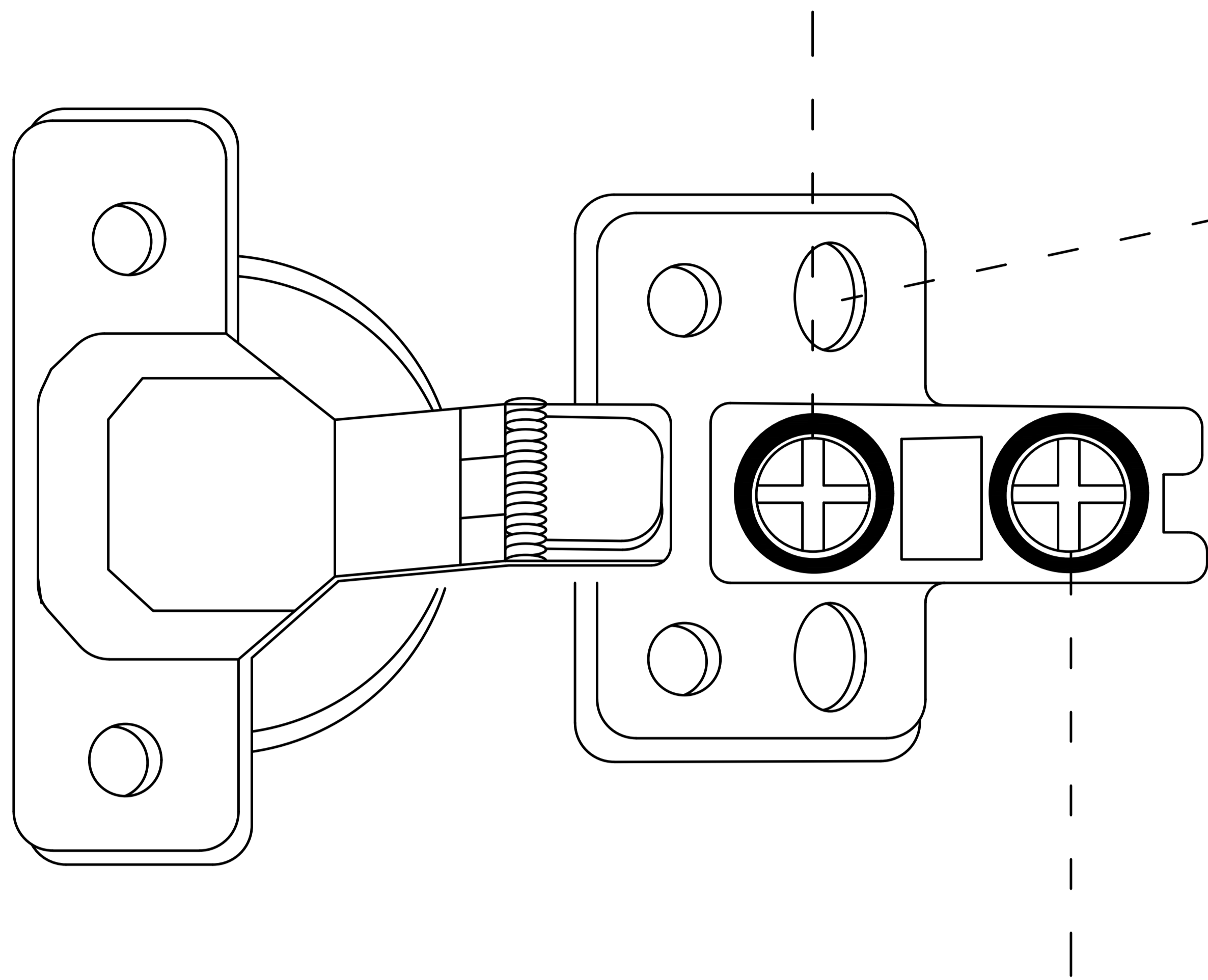


Step 59



If a large gap is found after installing the drawer the slide rail can be moved up and down to adjust the gap

Turning this screw can effectively adjust the size of the door gap.

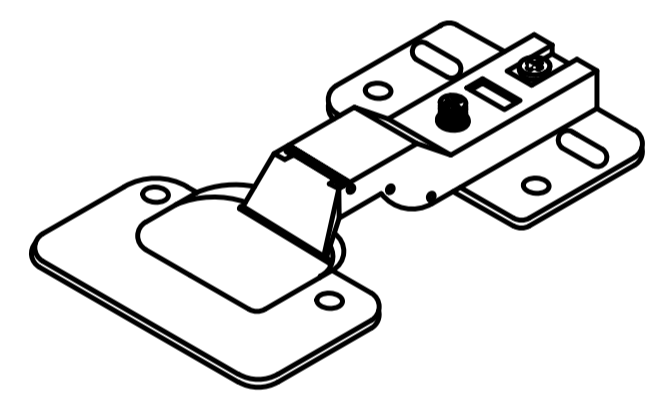


Adjust hole control the up and down height of the door

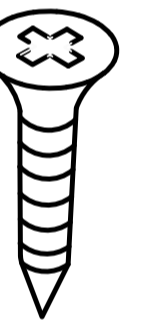
Turn this screw to adjust the door panel to be flat with the side panel.

Step 60

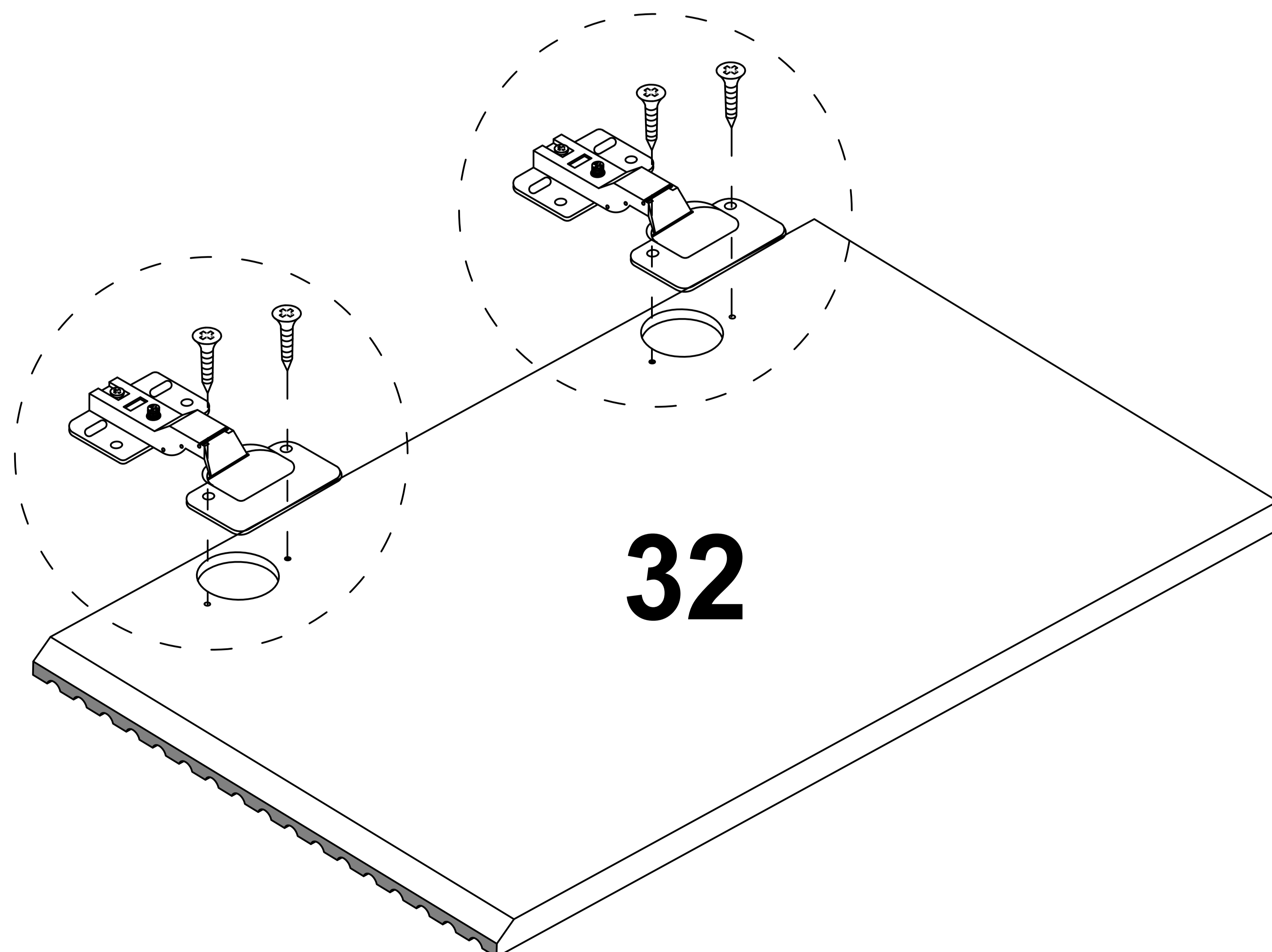
H



x2



x4

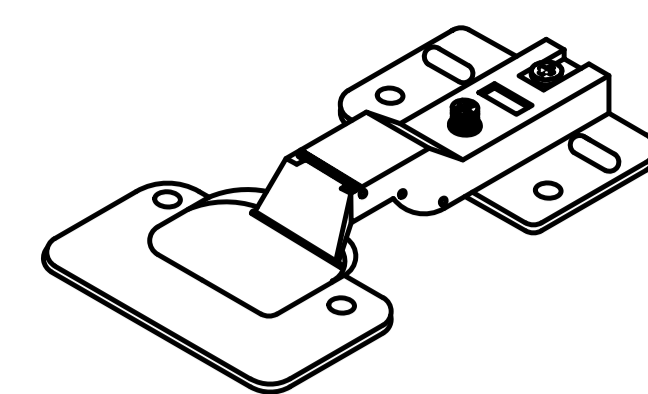


32

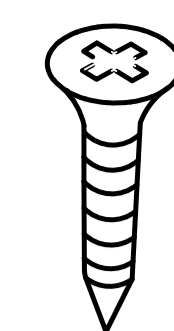
44

Step 61

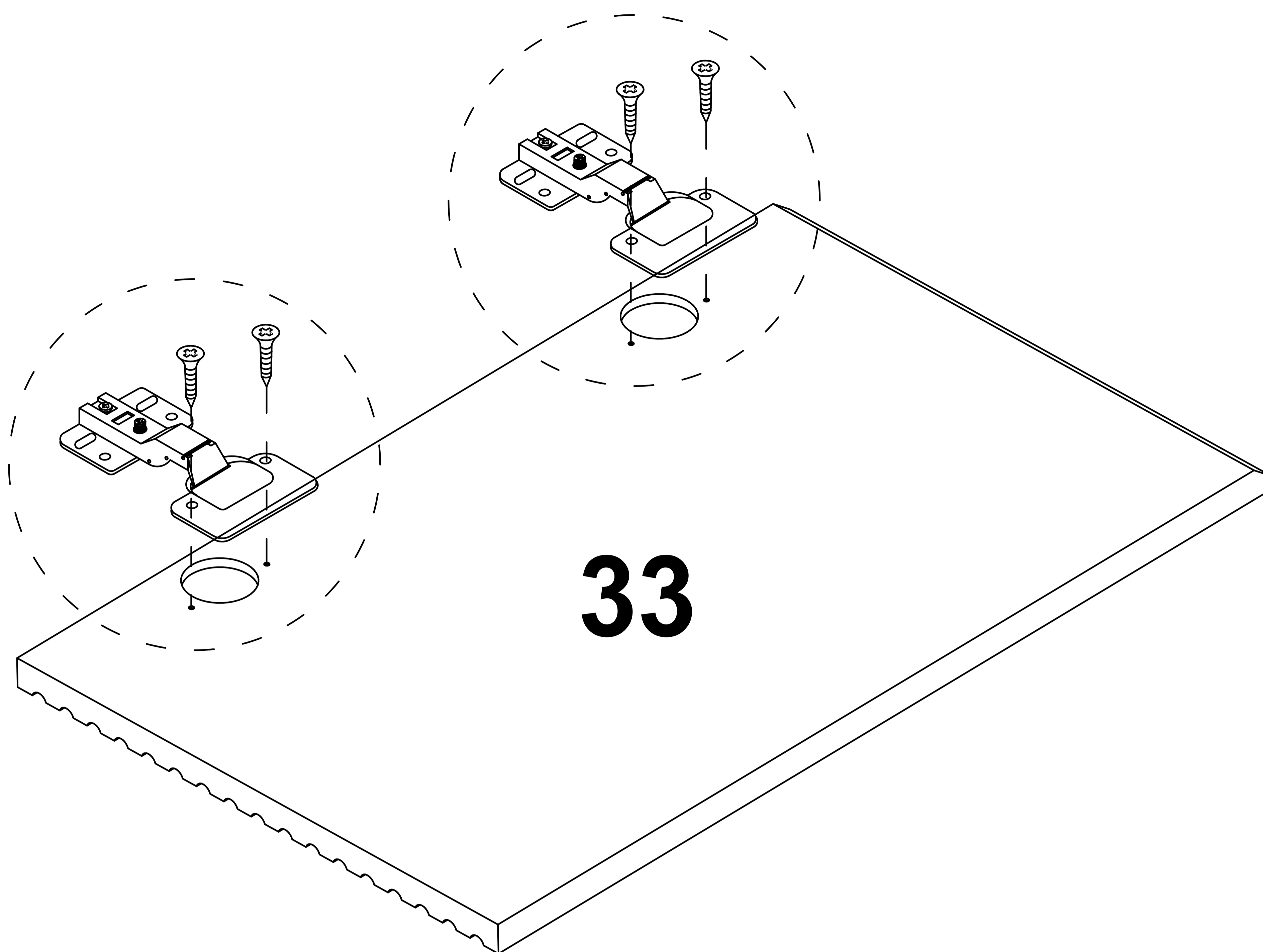
H



x2



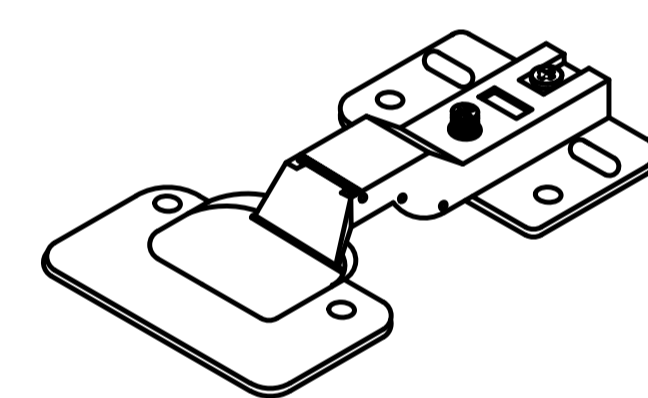
x4



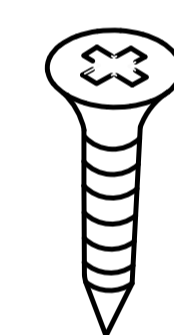
33

Step 62

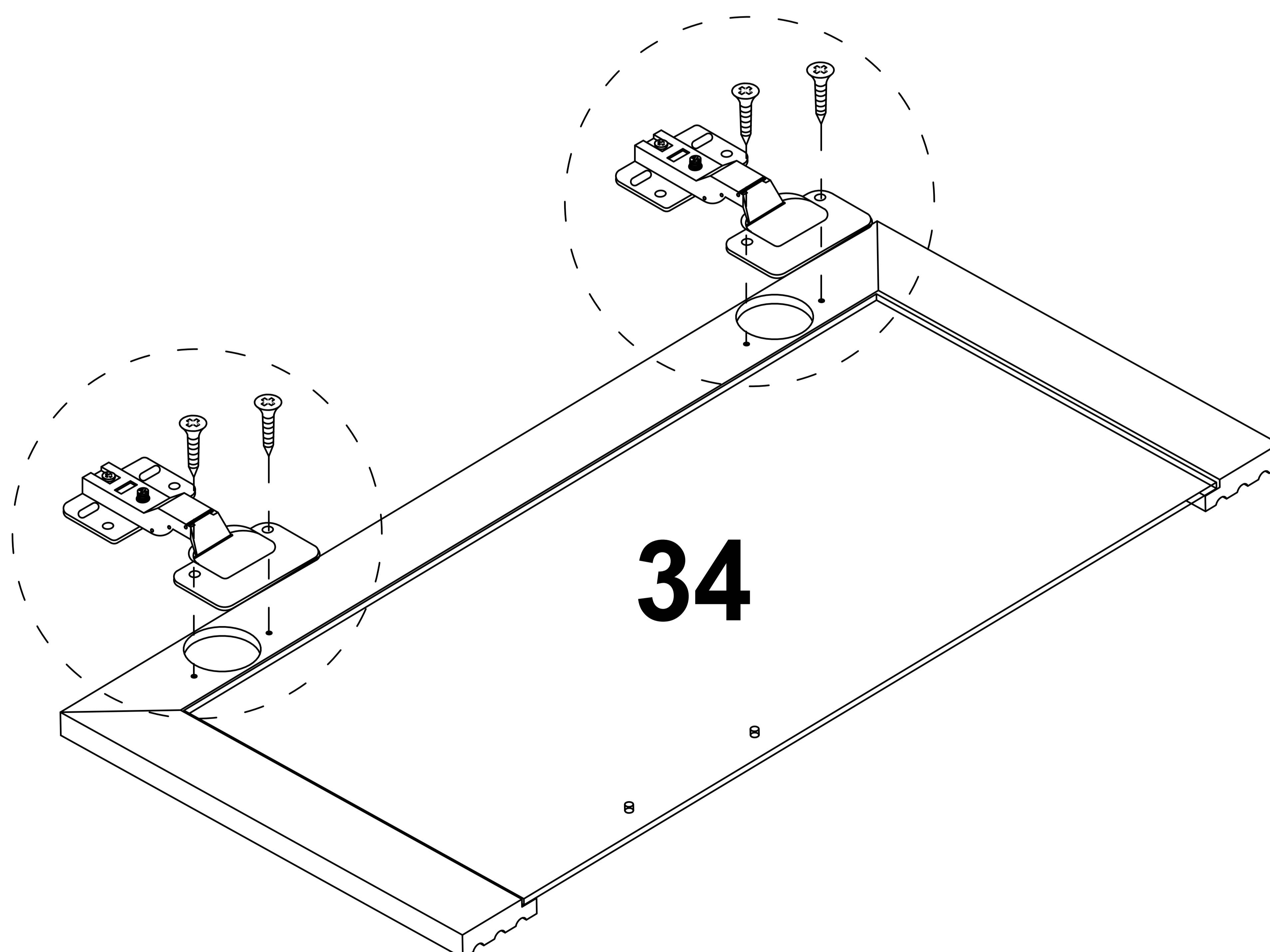
J



x2



x4

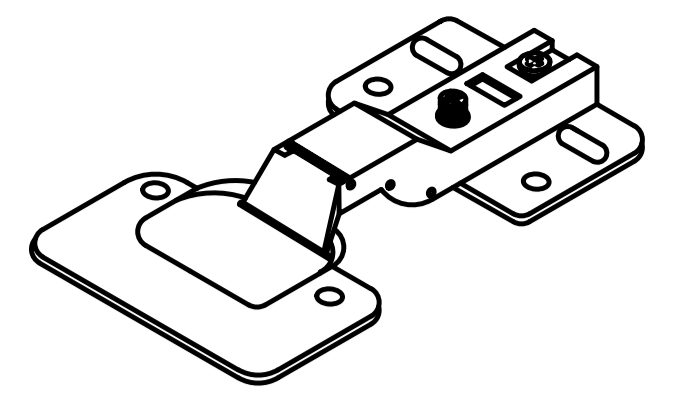


34

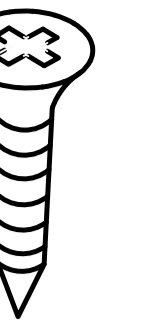
45

Step 63

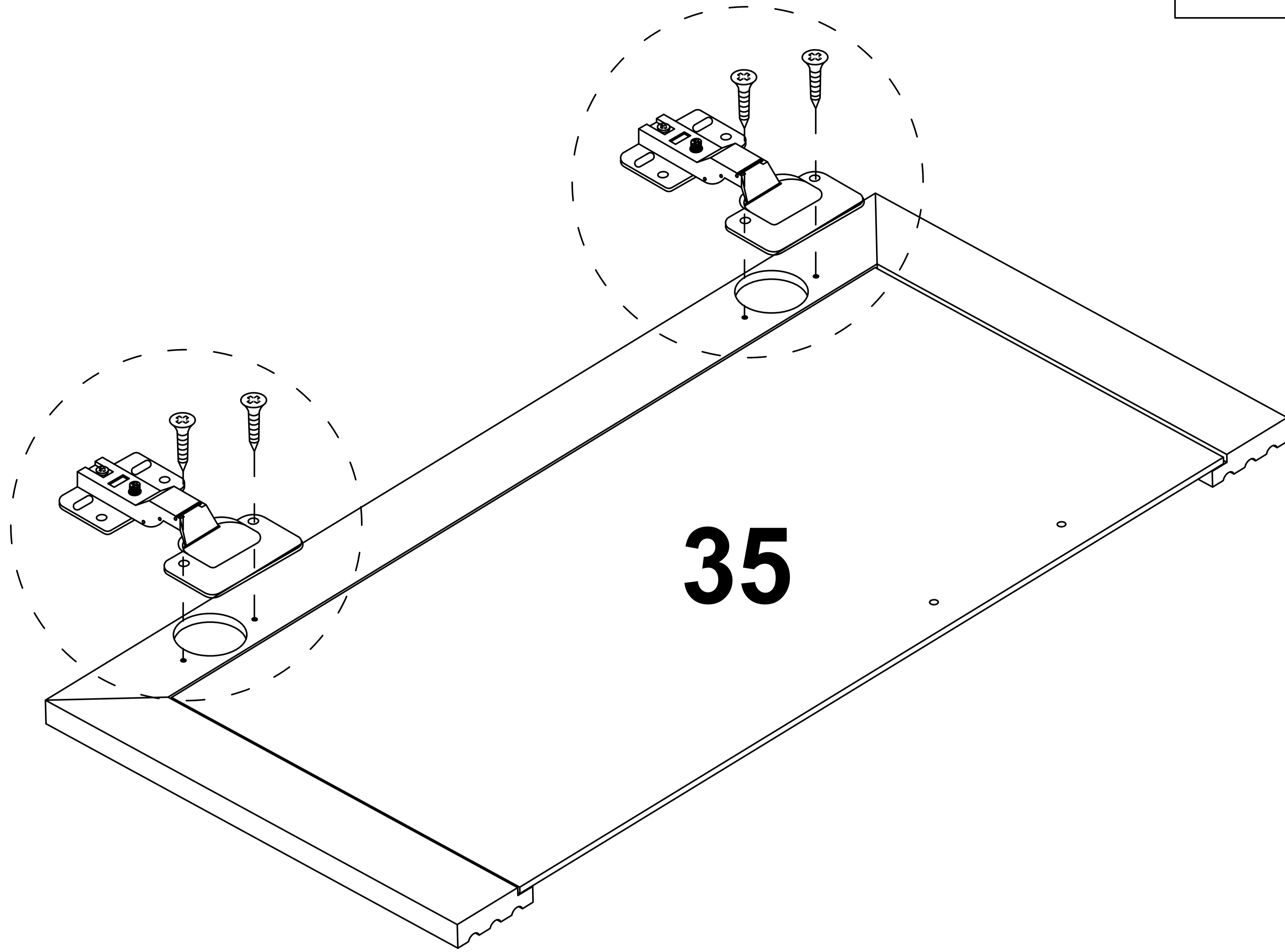
J



x2



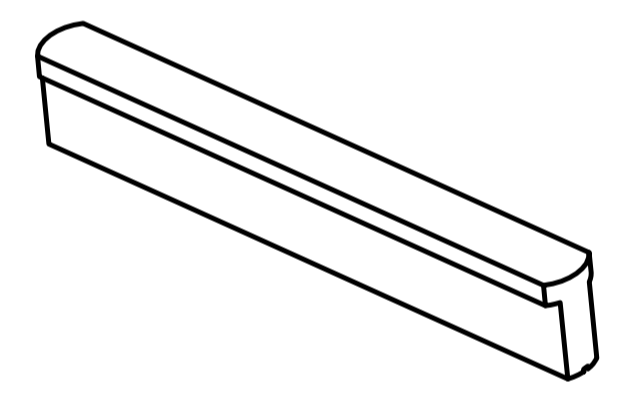
x4



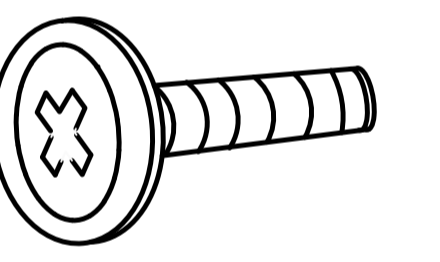
35

Step 64

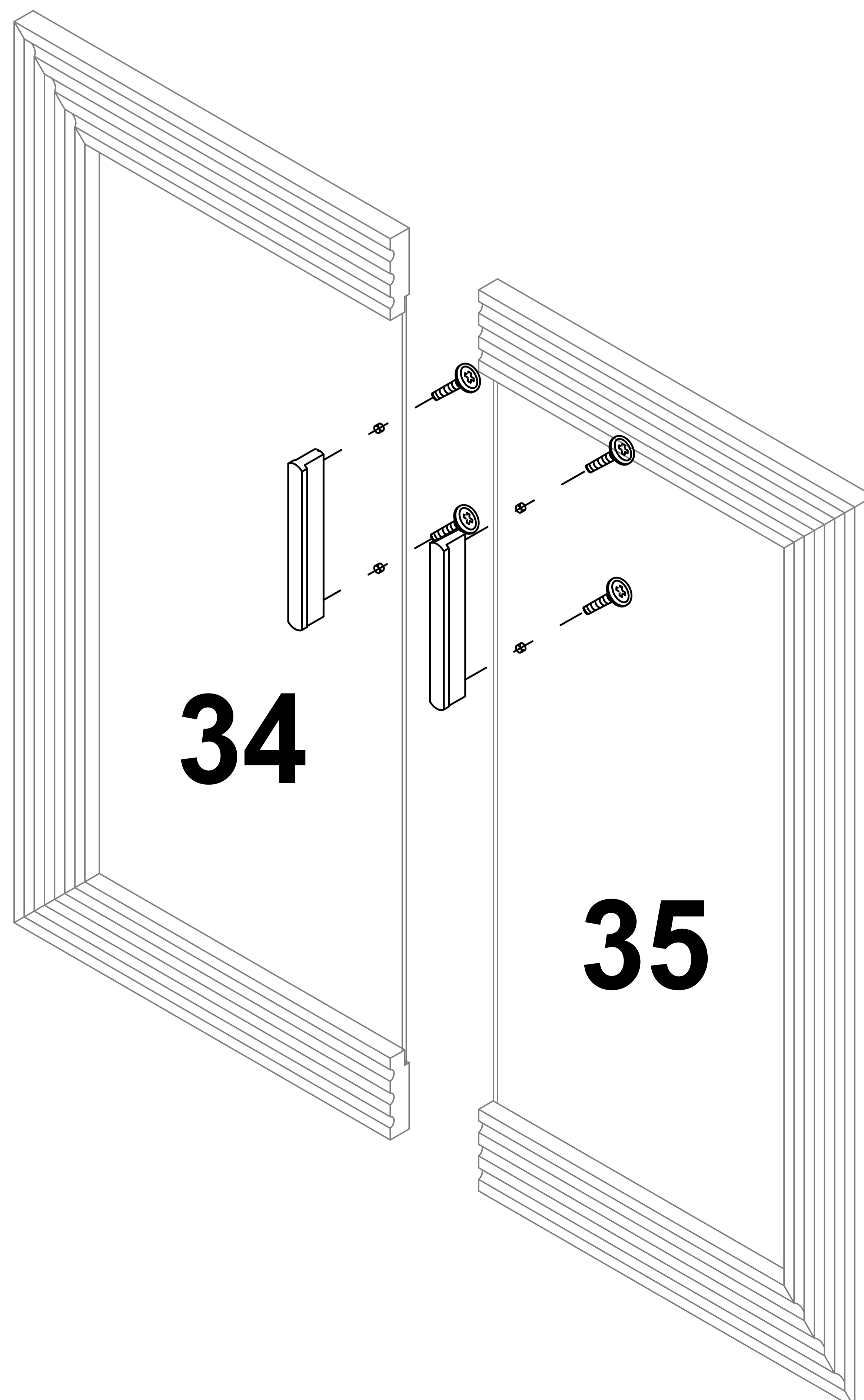
D



x4



x4

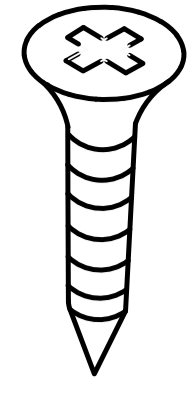
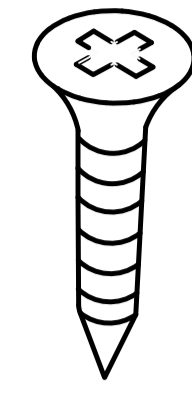


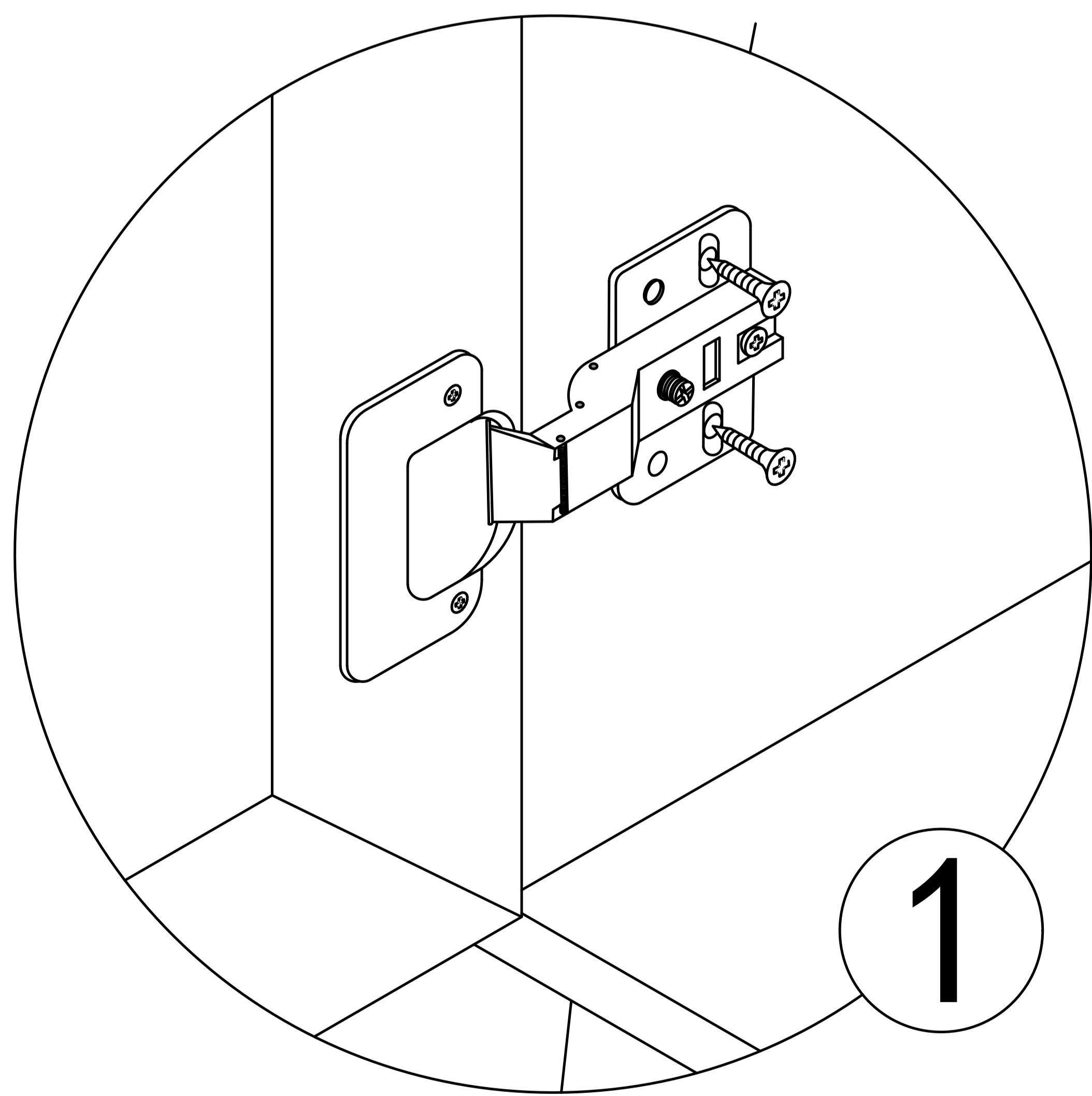
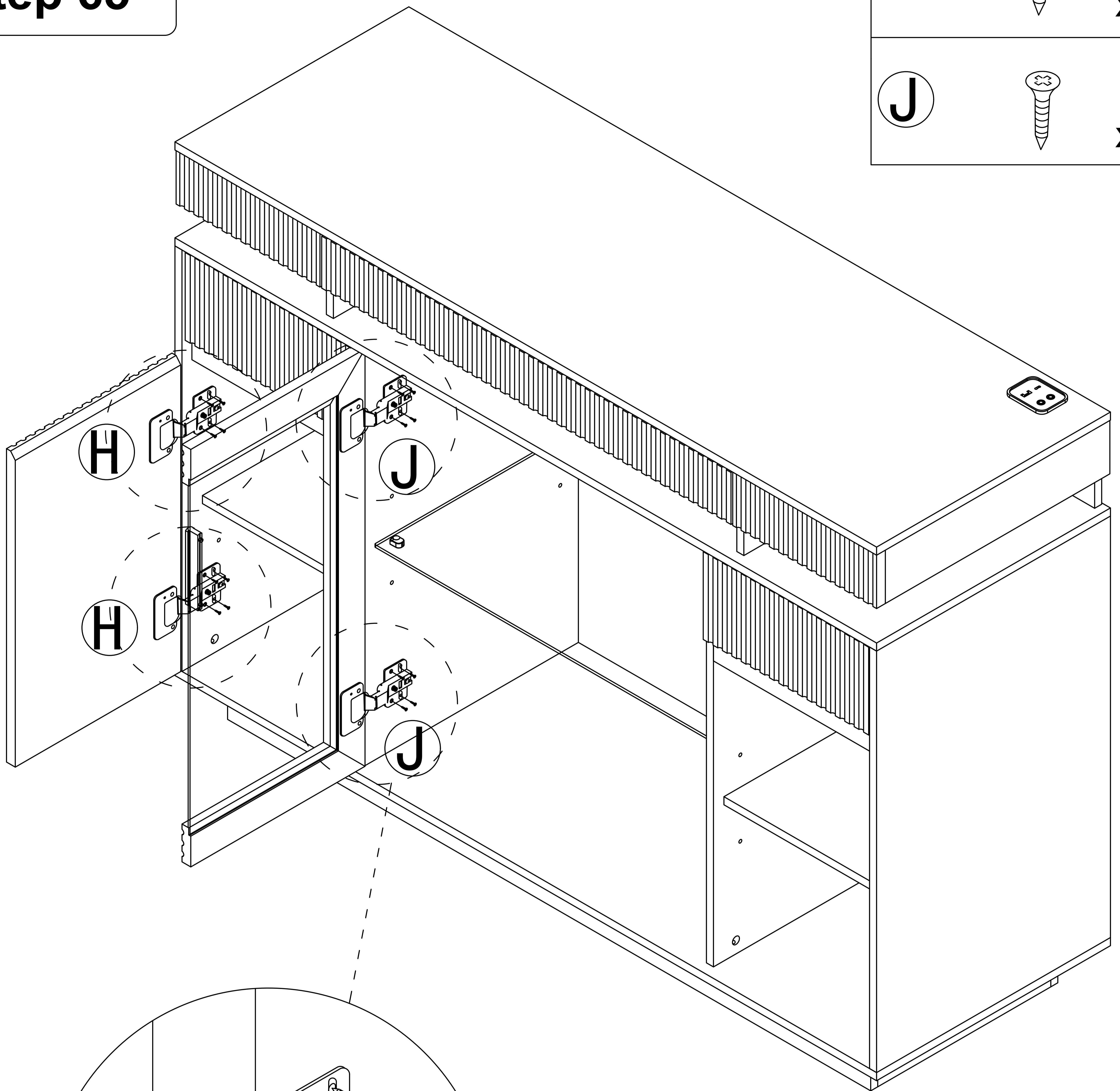
34

35

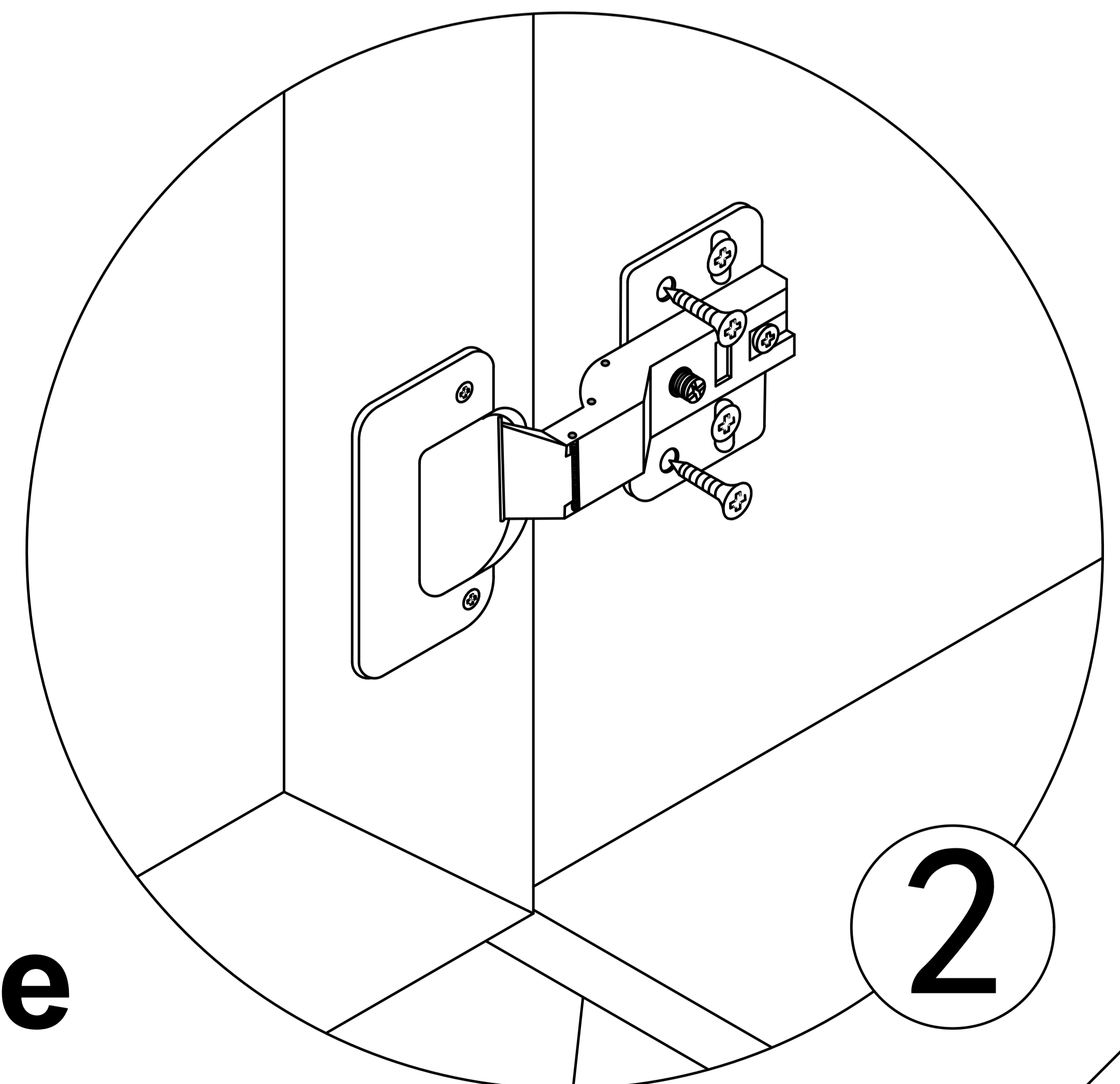
46

Step 65

| | | |
|----------|---|----|
| H |  | x8 |
| J |  | x8 |



1

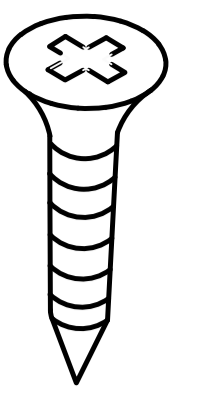


2

**First lock the elliptical hole
then lock the fixed hole**

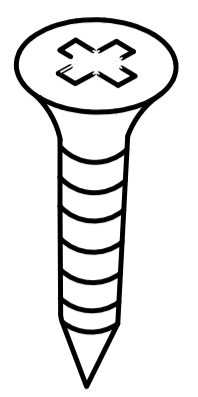
Step 66

H

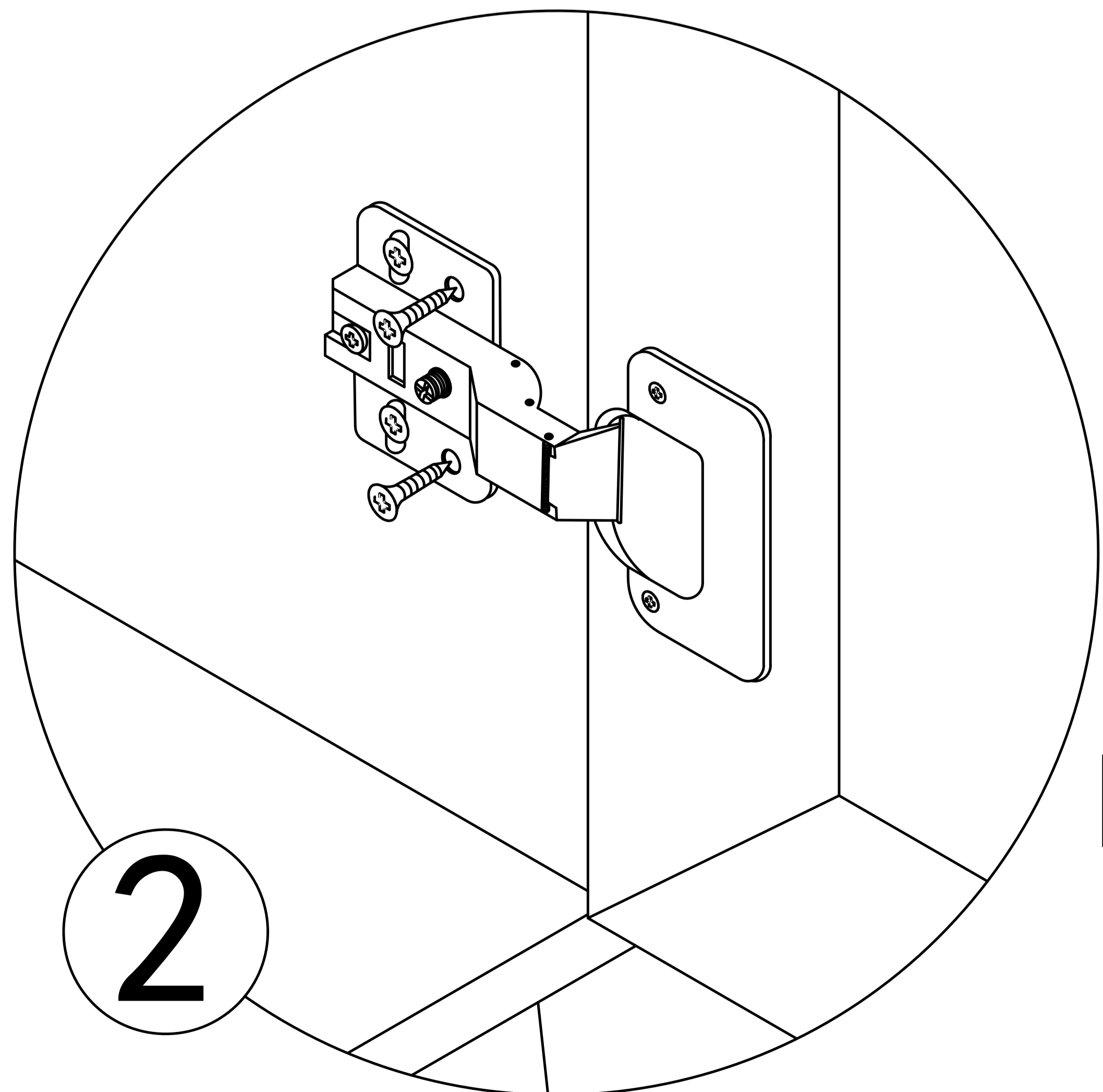
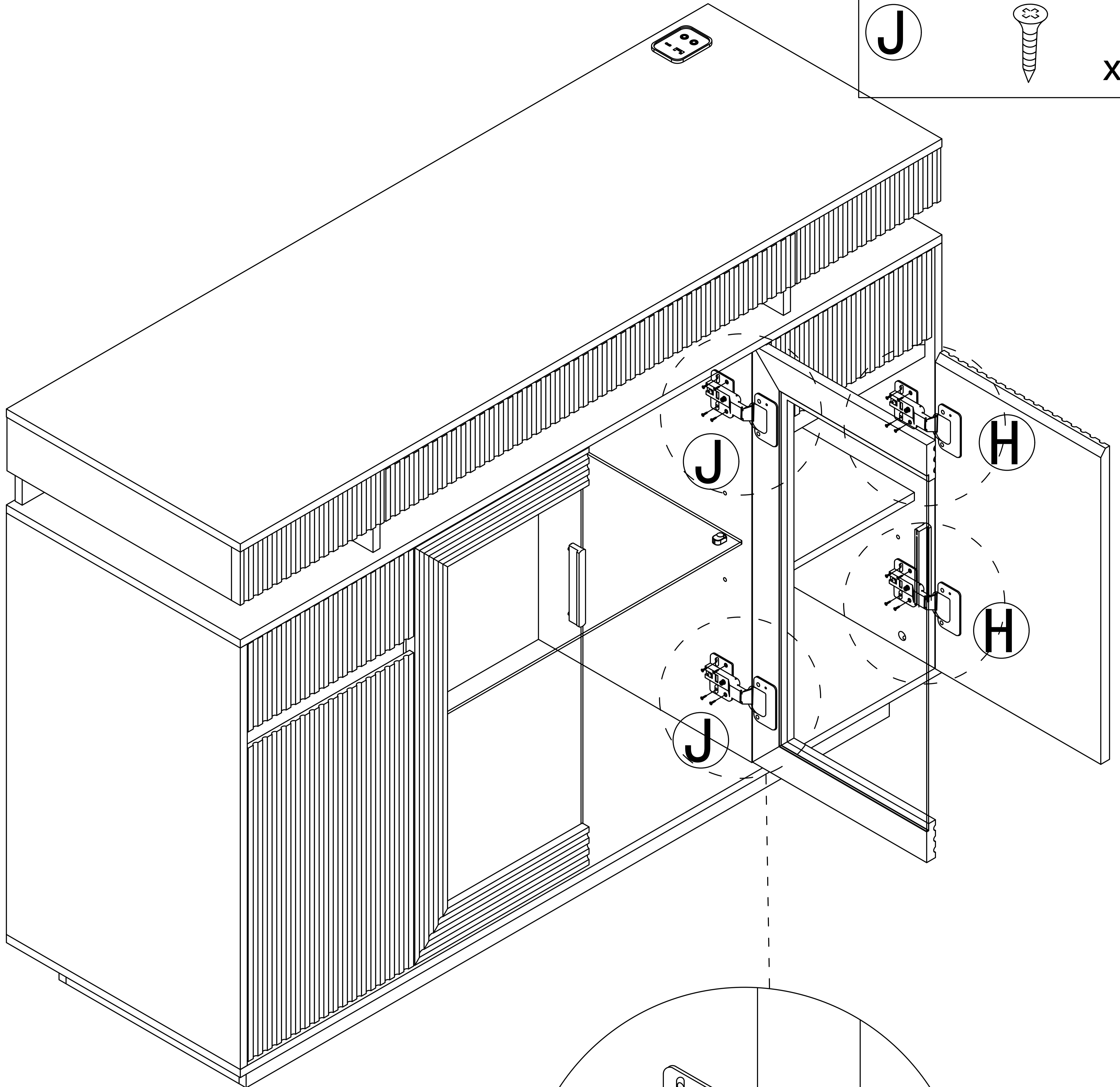


x8

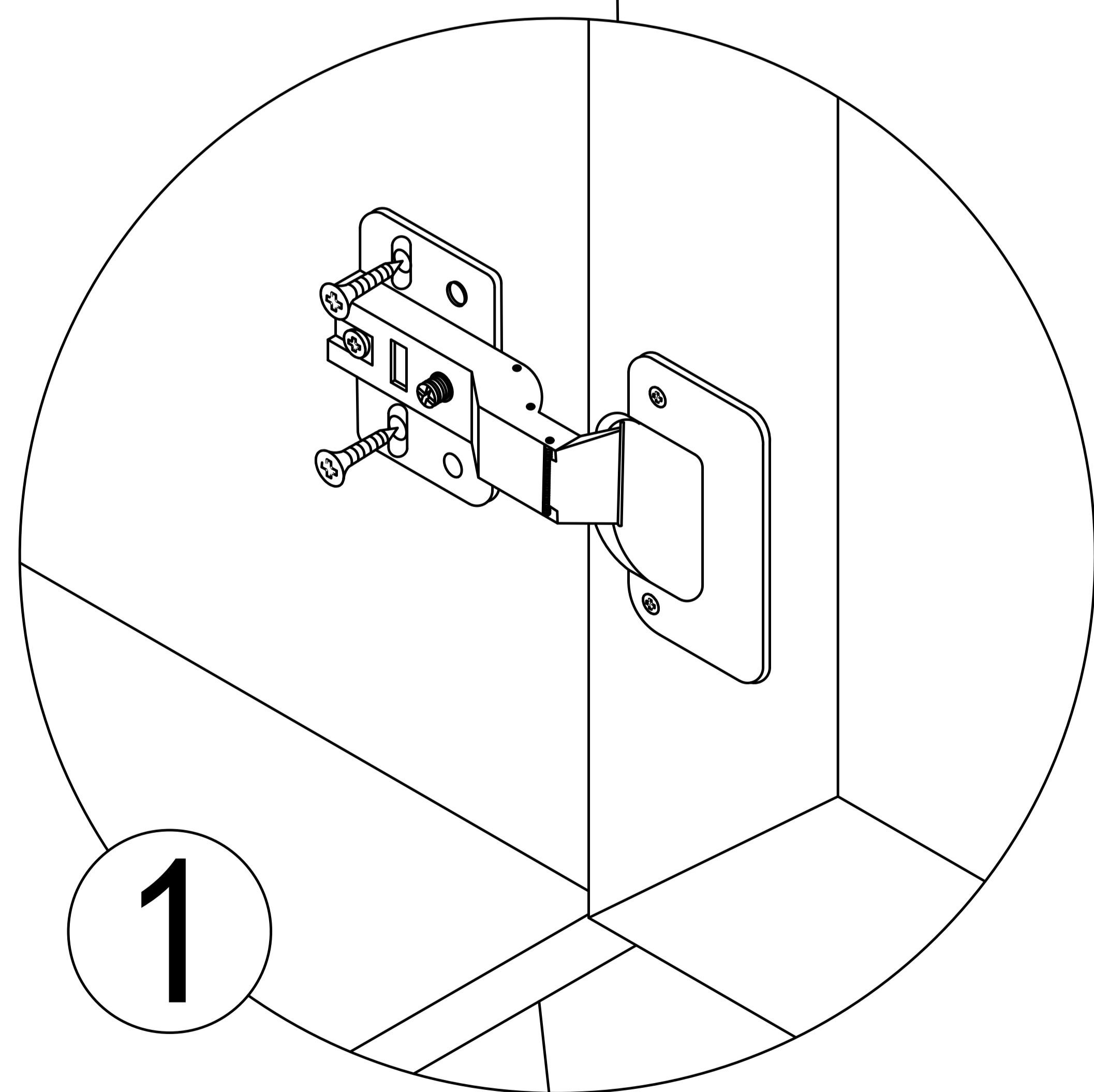
J



x8



2

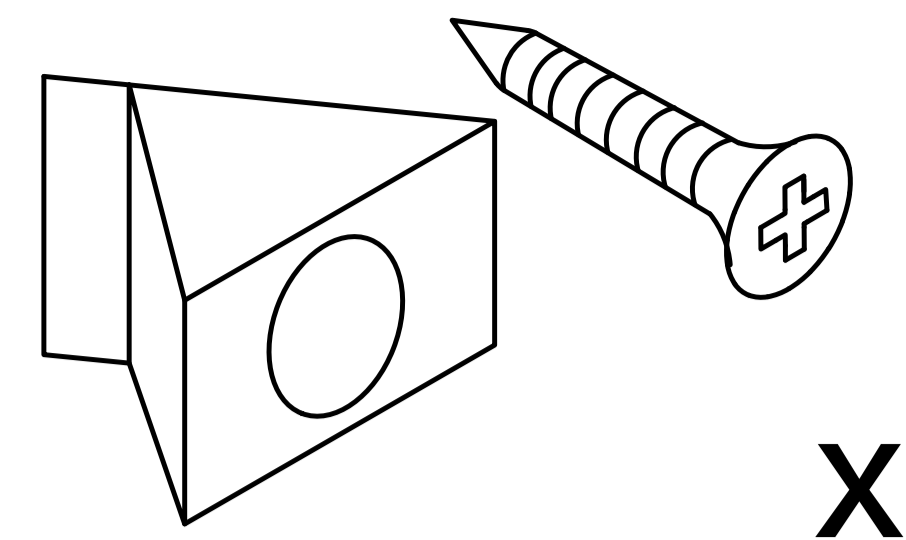


1

**First lock the elliptical hole
then lock the fixed hole**

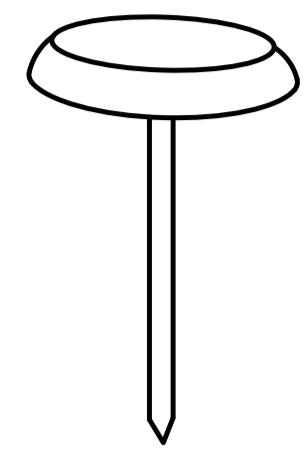
Step 67

I

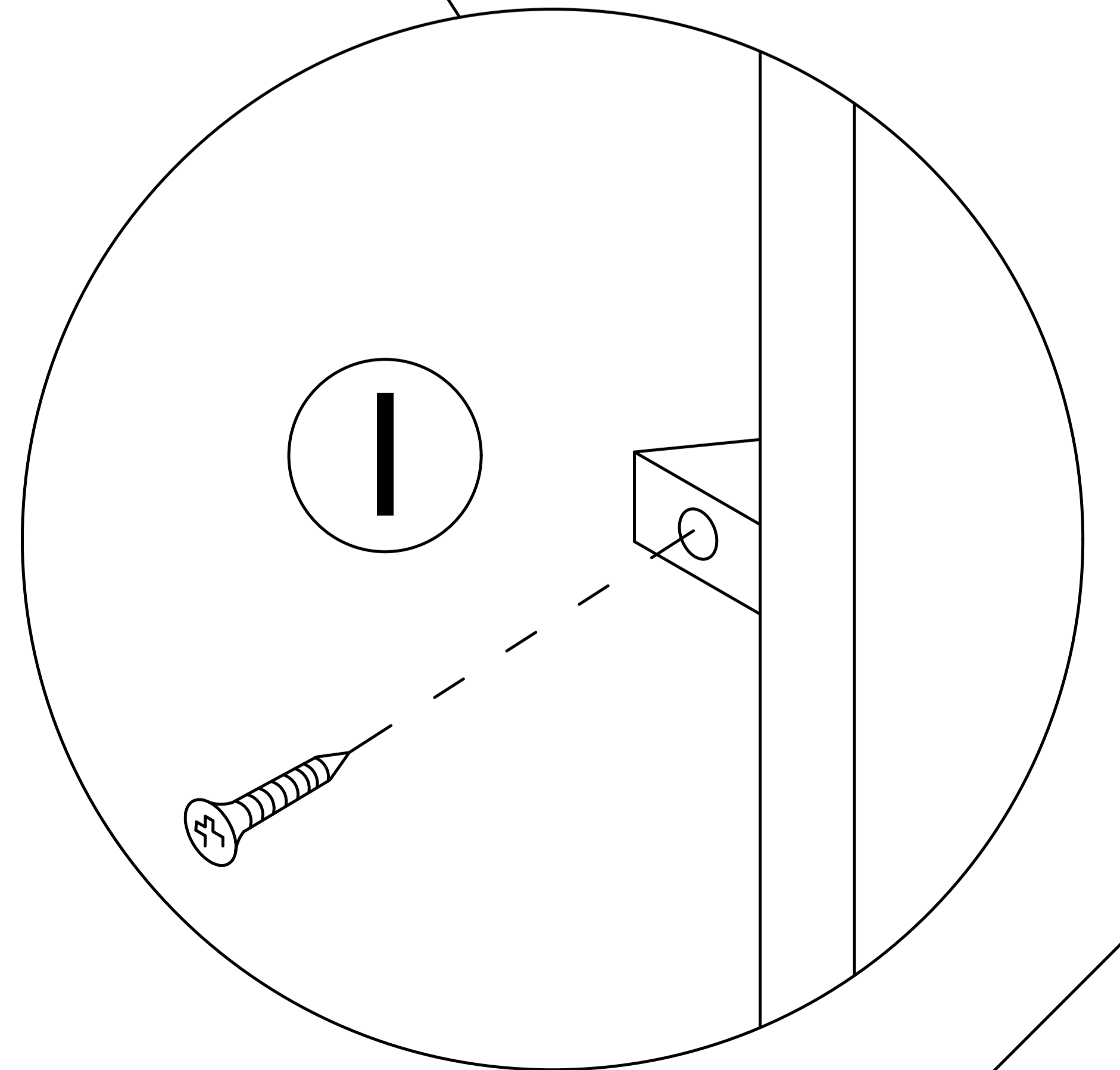
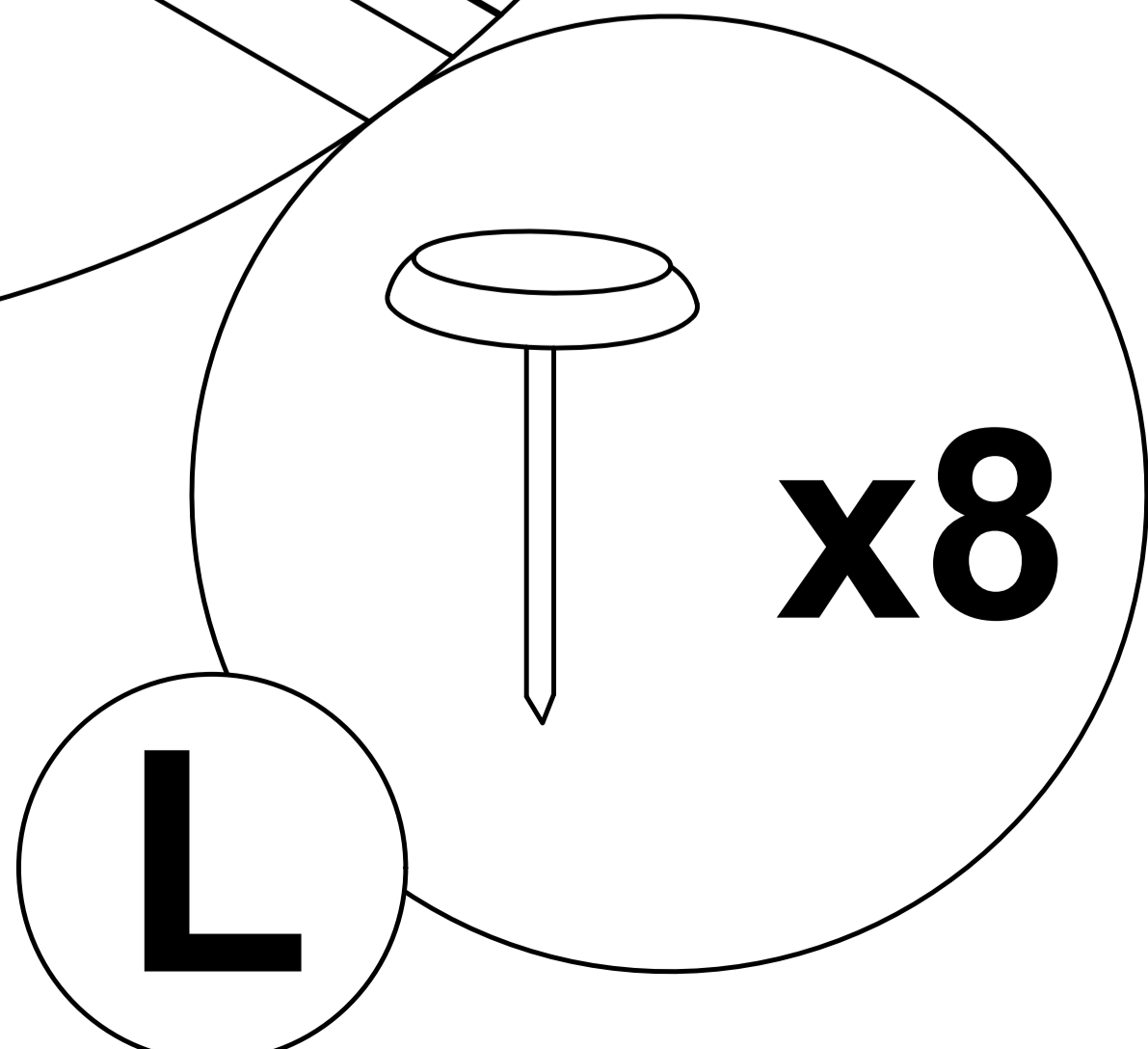
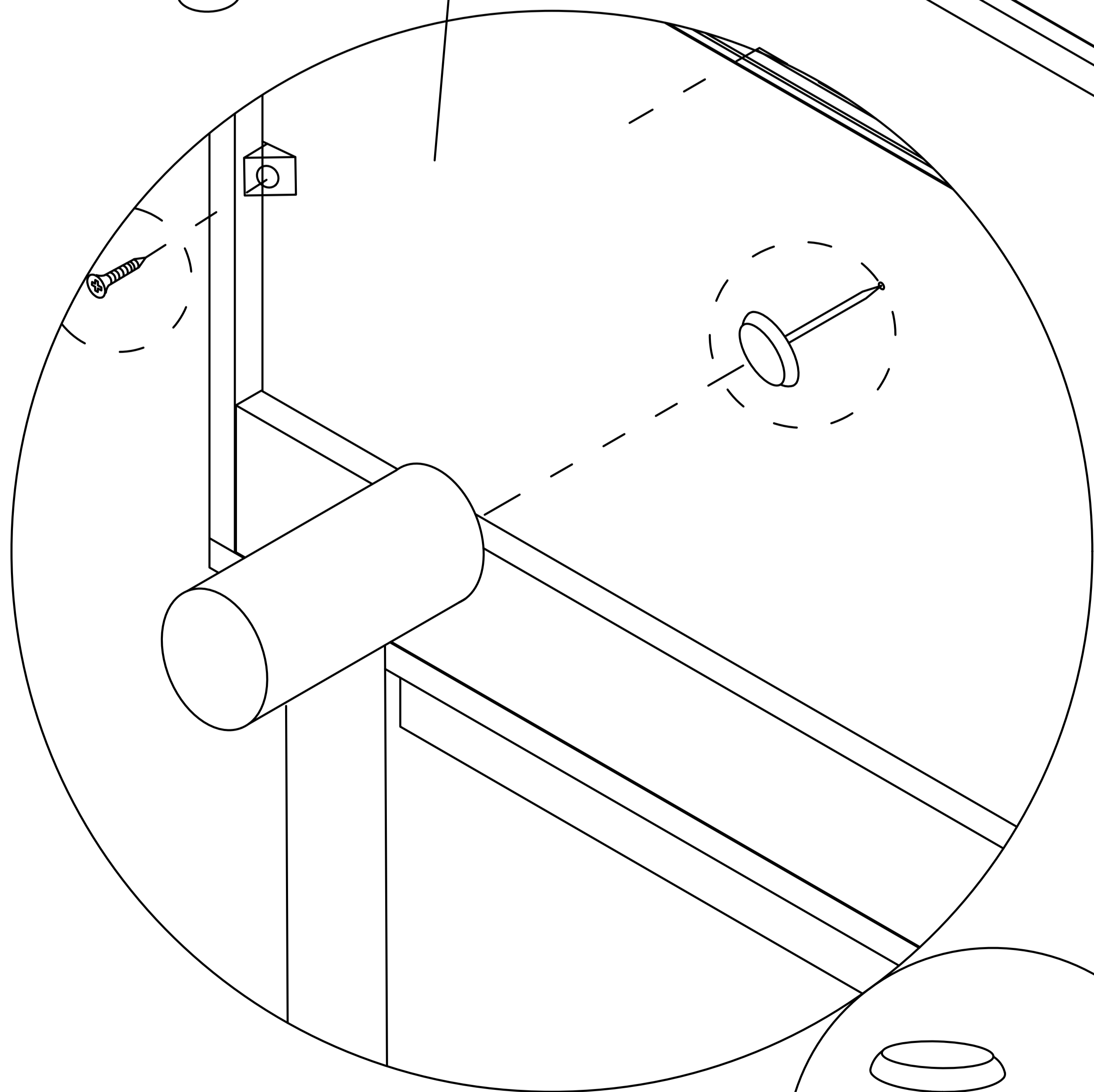
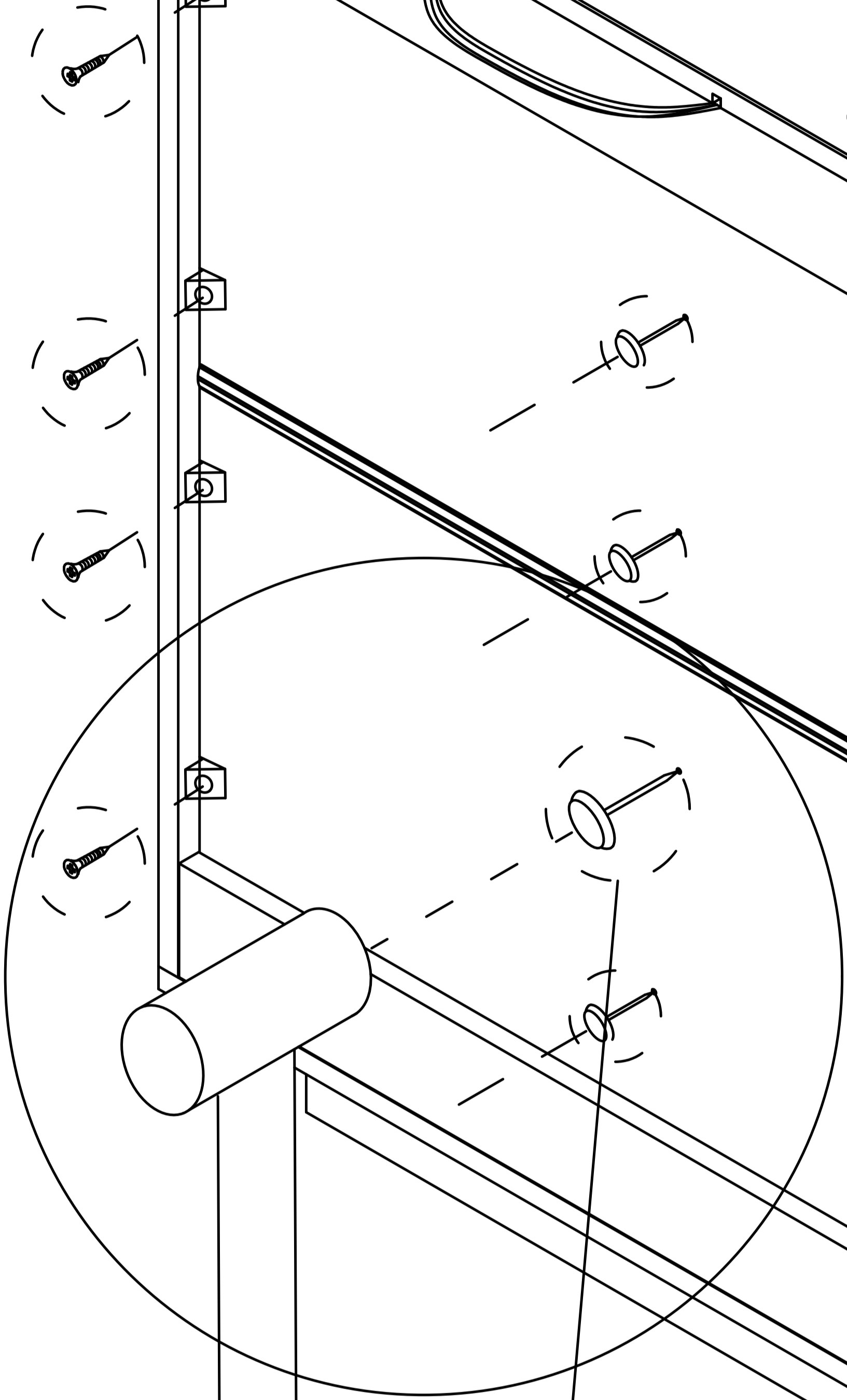
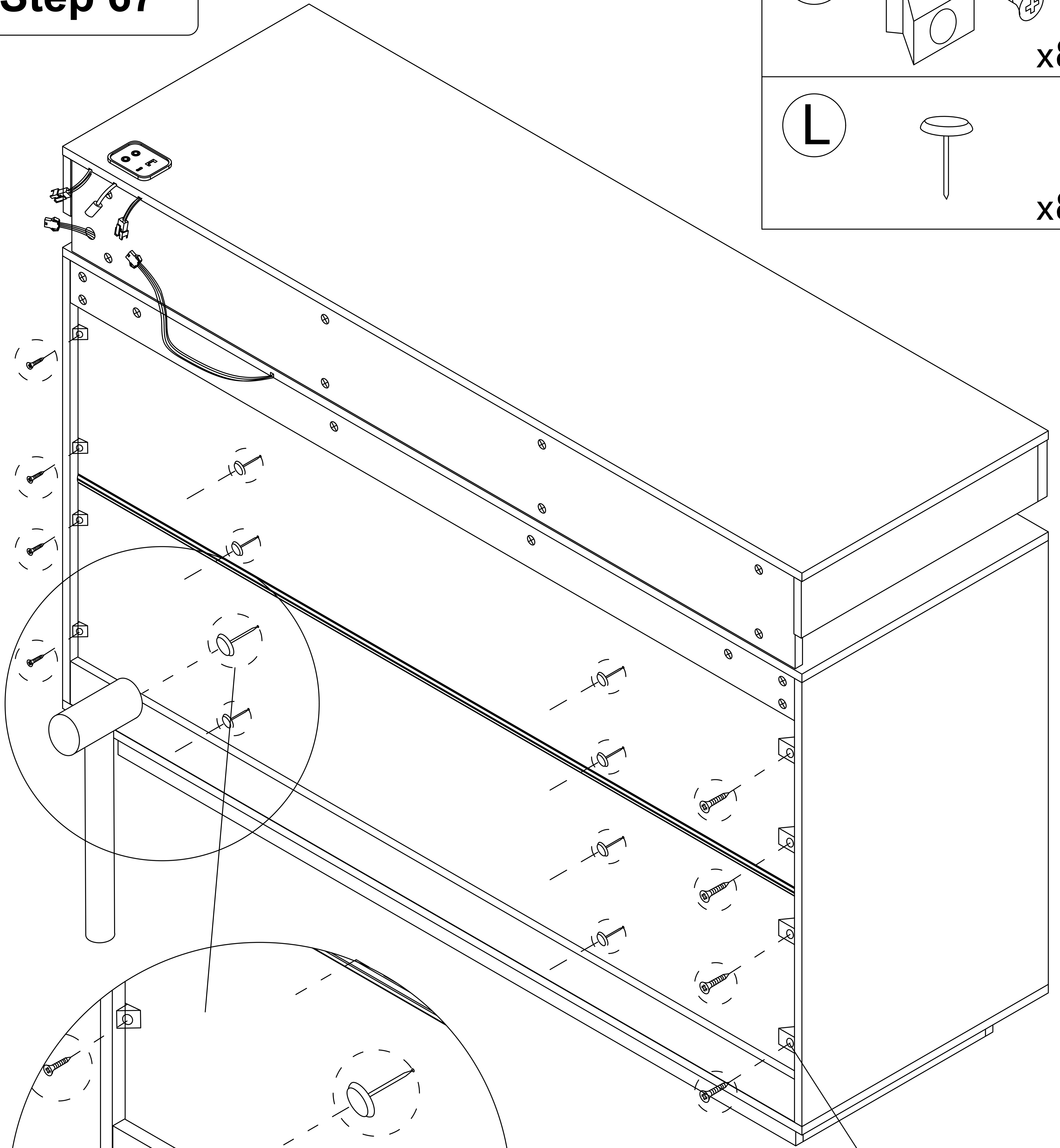


x8

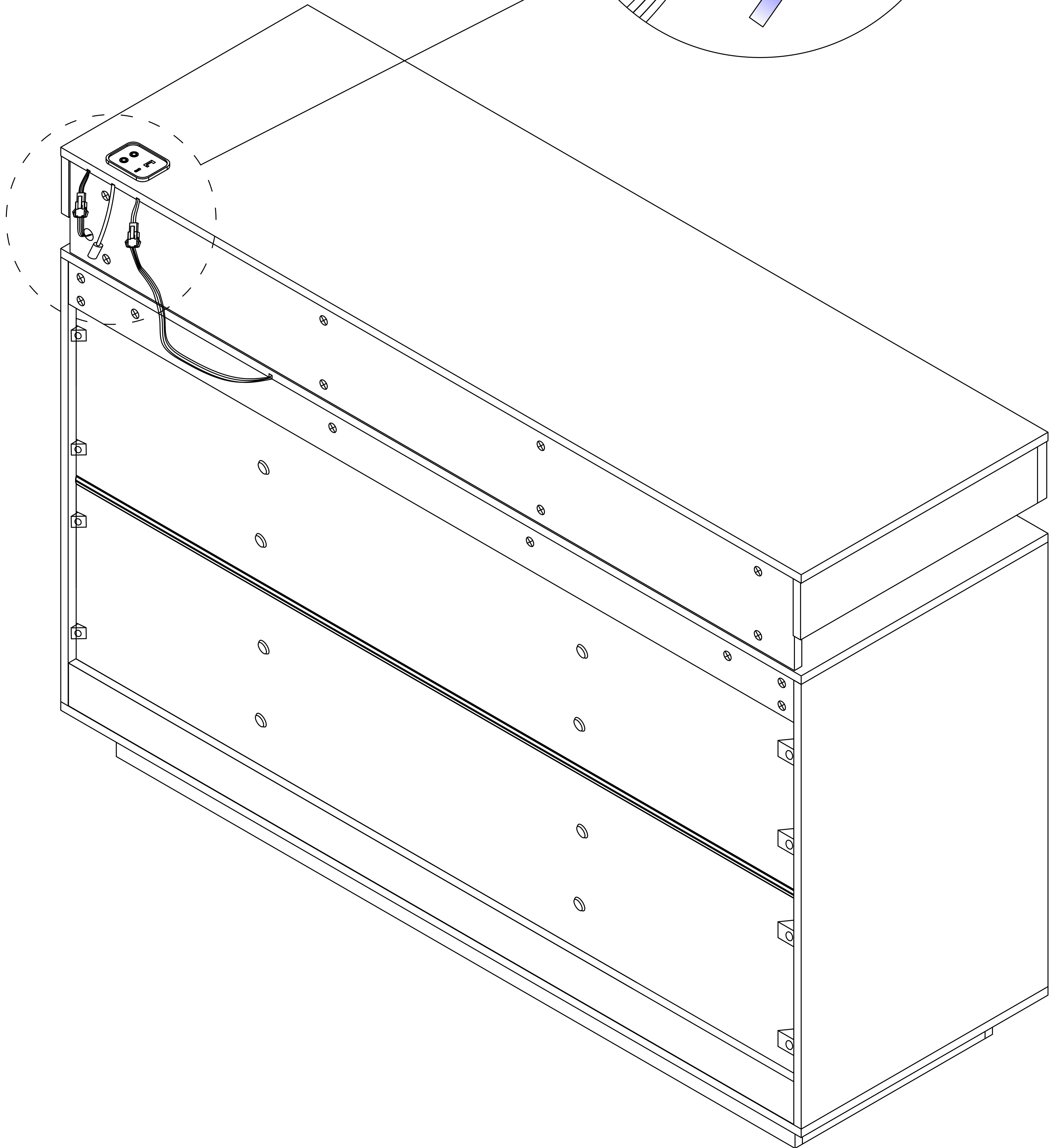
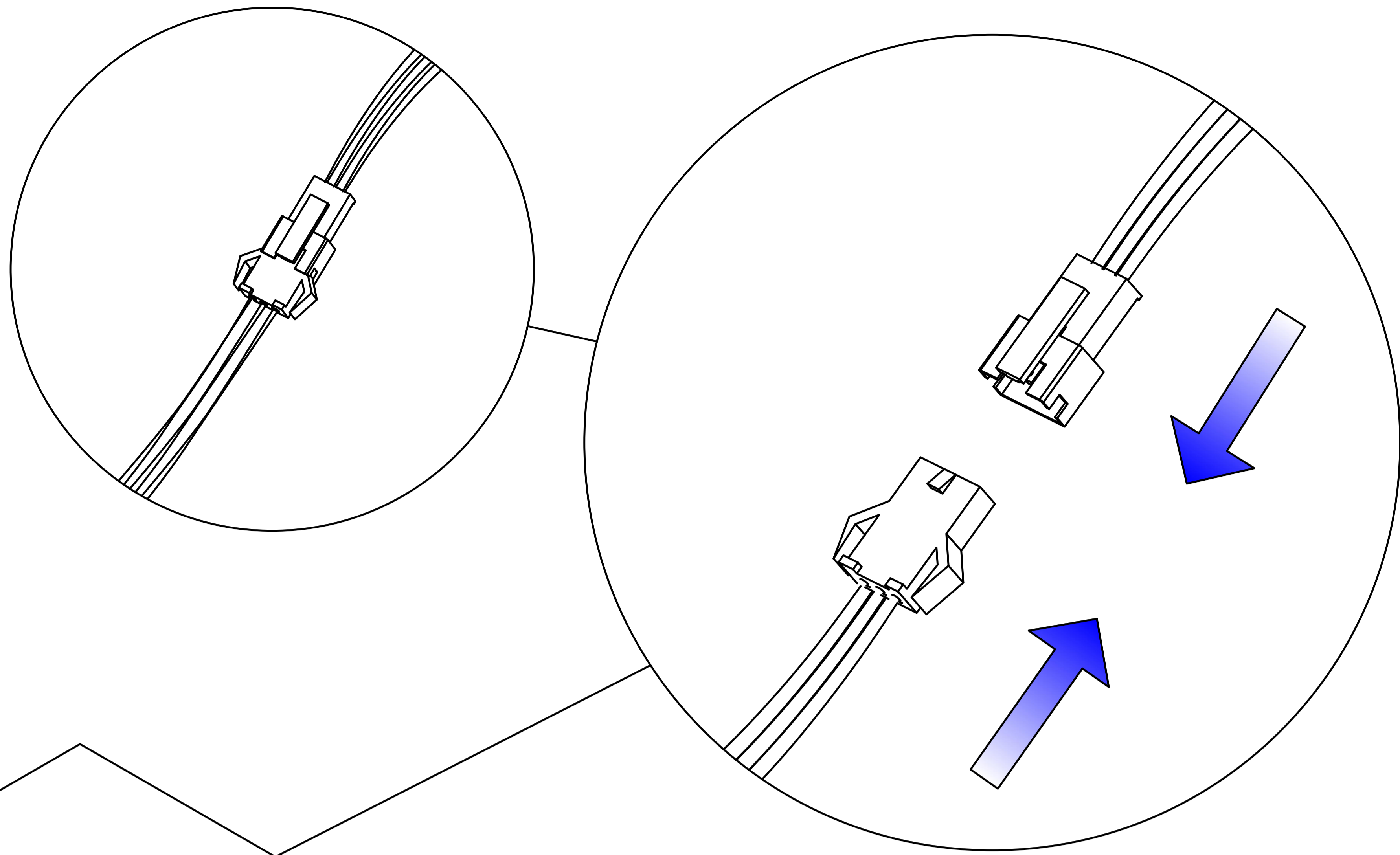
L



x8

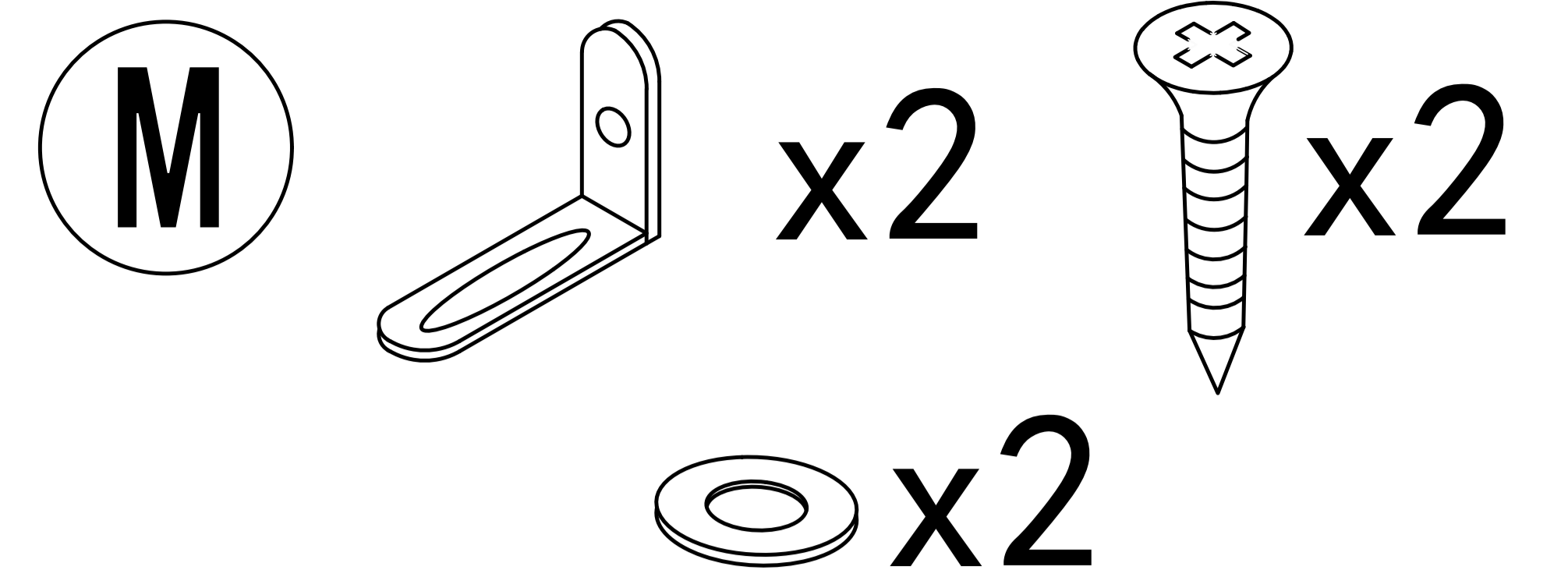


Step 68

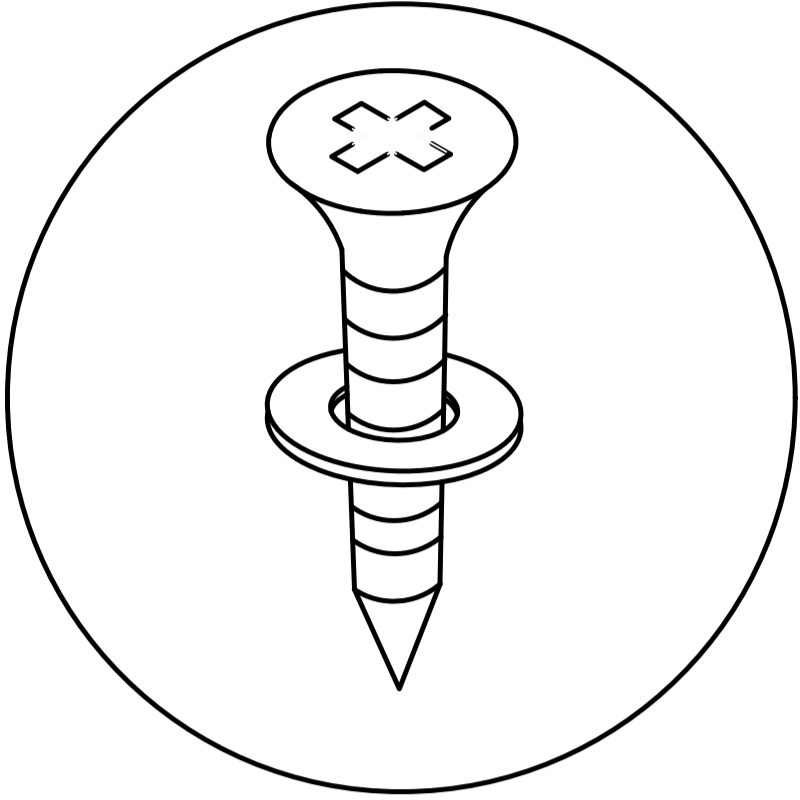


Step 69

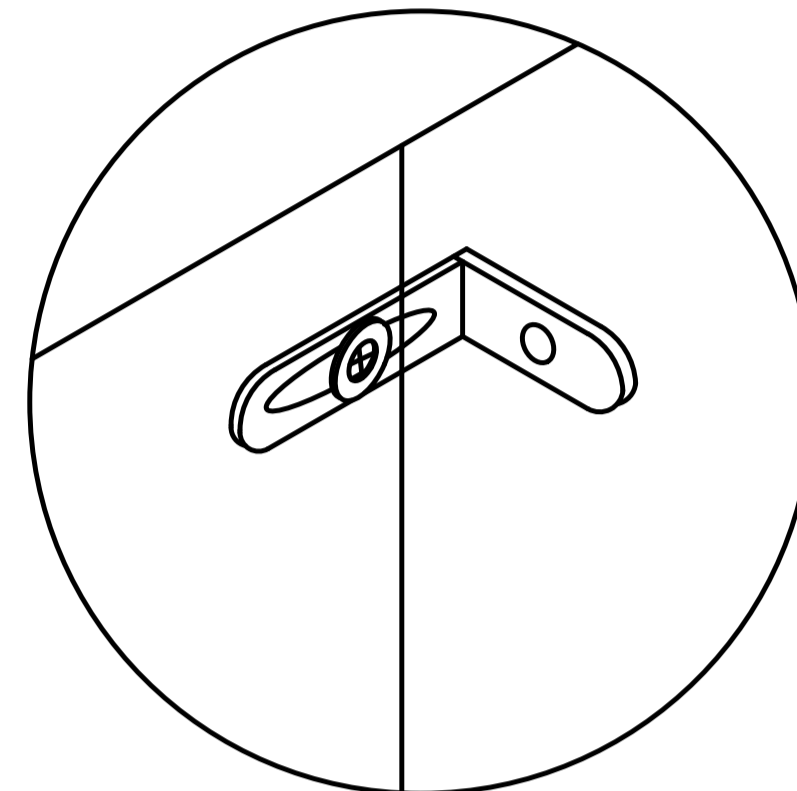
Install as required



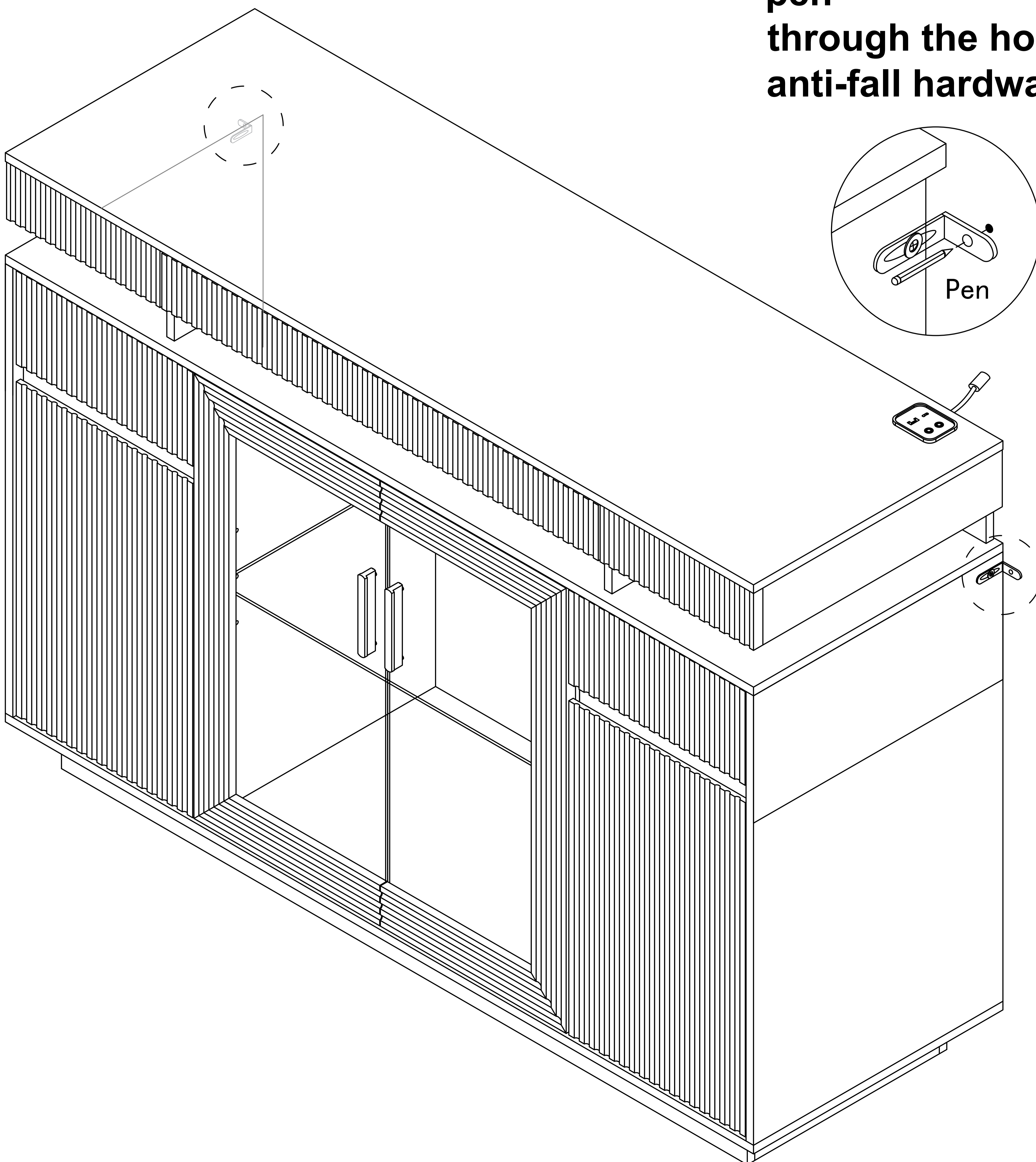
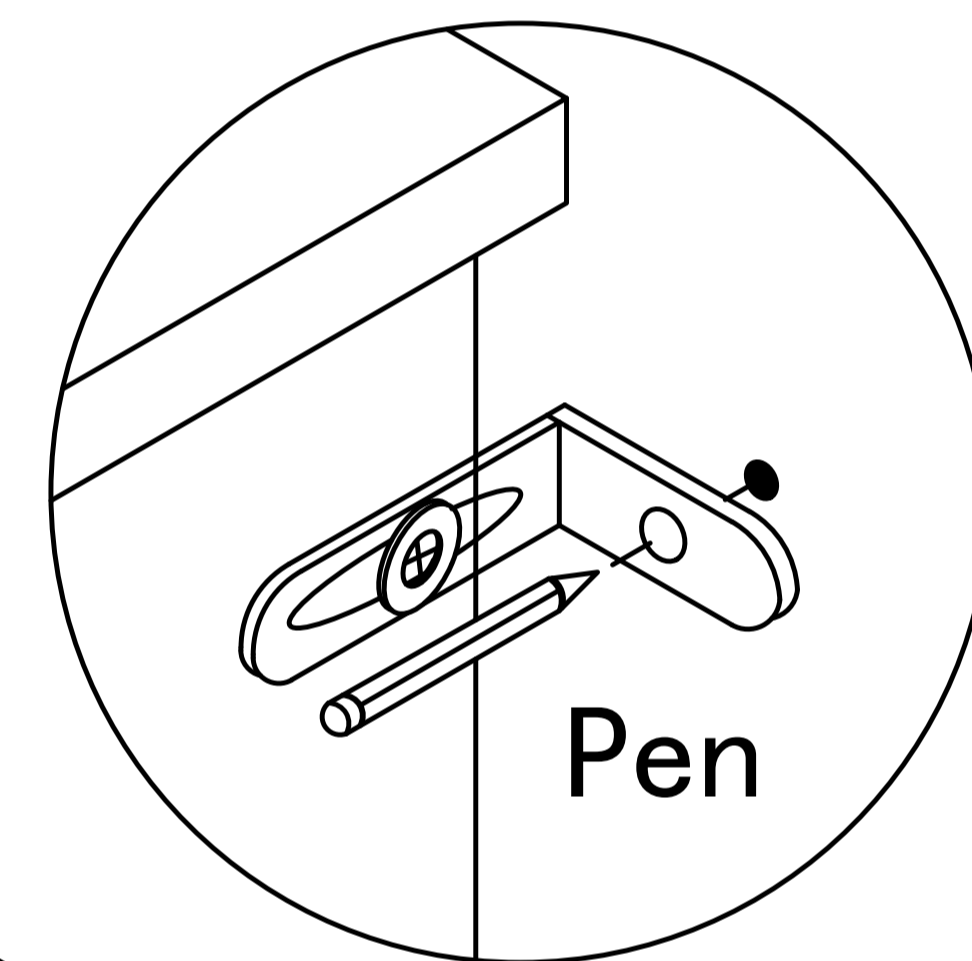
3.5x14mm



Install the anti fall hardware on the cabinet as shown in the picture first



Then mark the wall with a pen through the holes in the anti-fall hardware



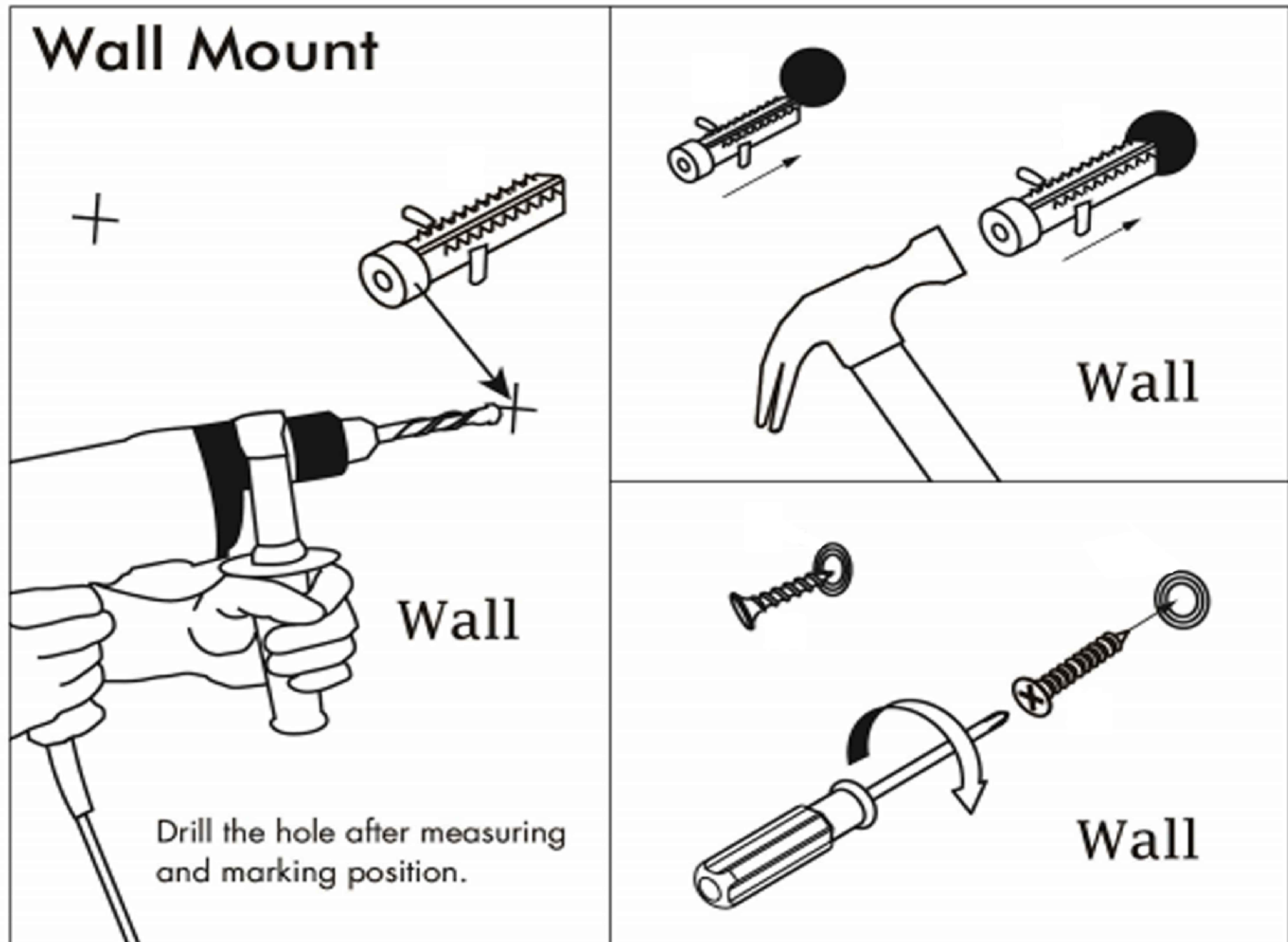
Step 70

M

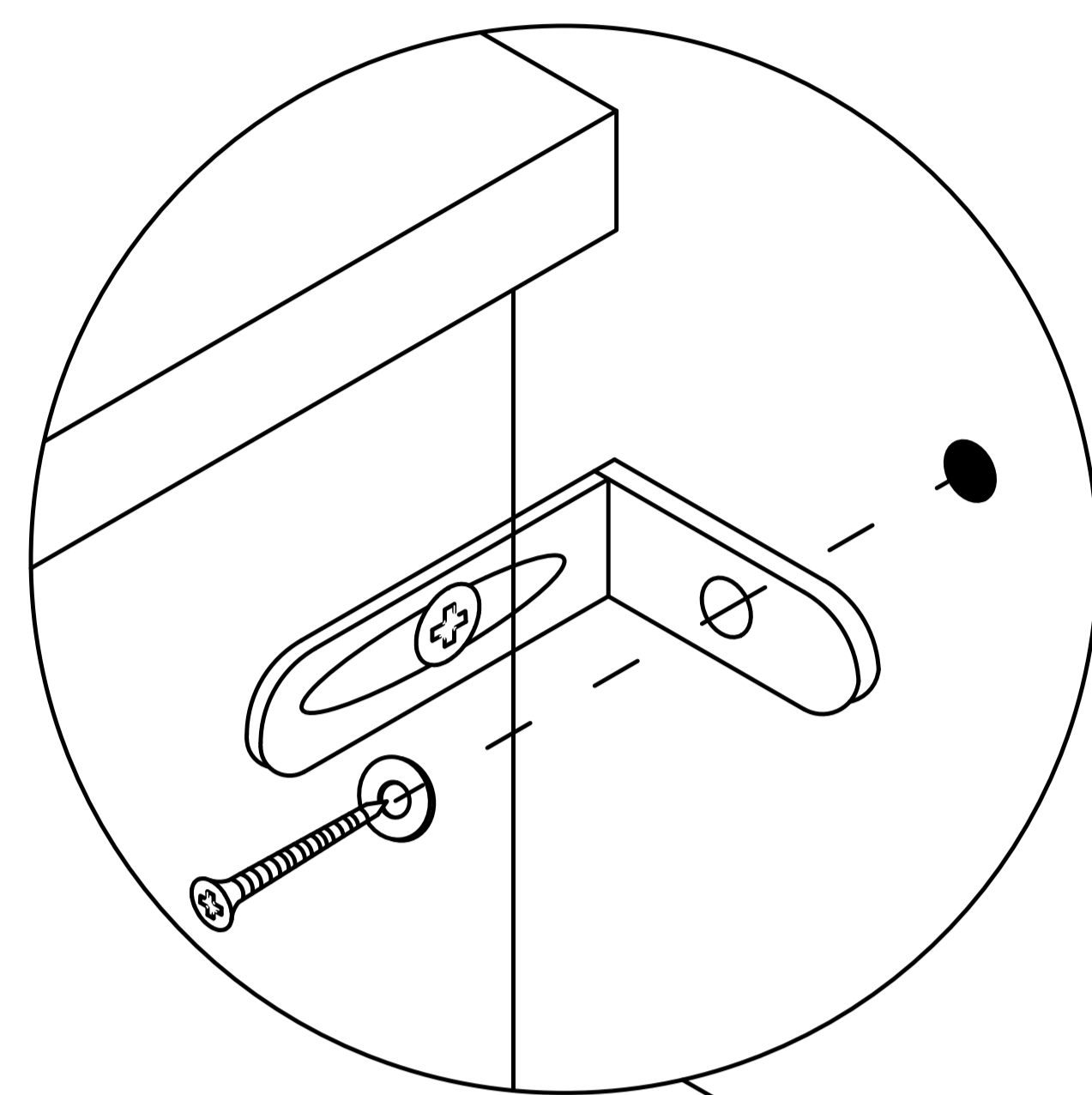
x2

x2

x2

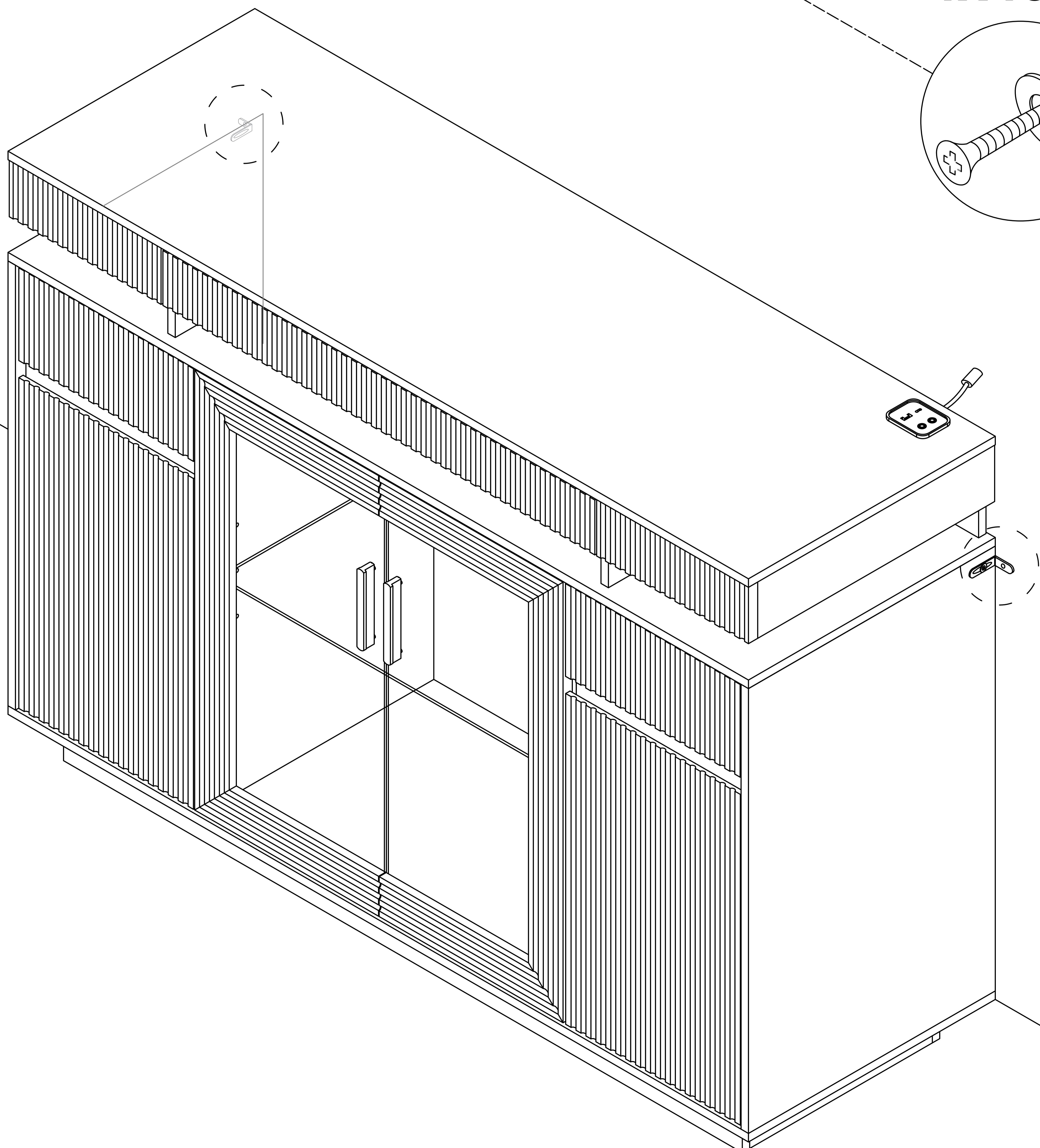
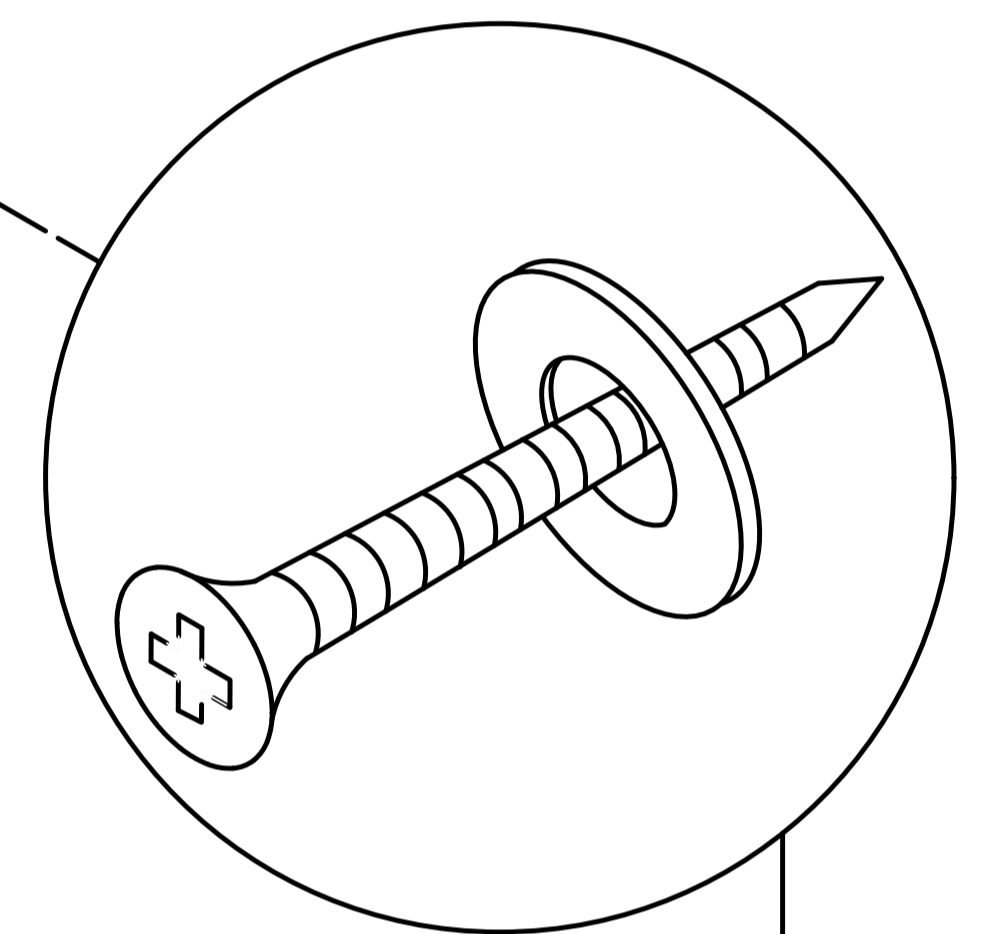


Drill the hole with an electric drill and punch in the colloidal particles

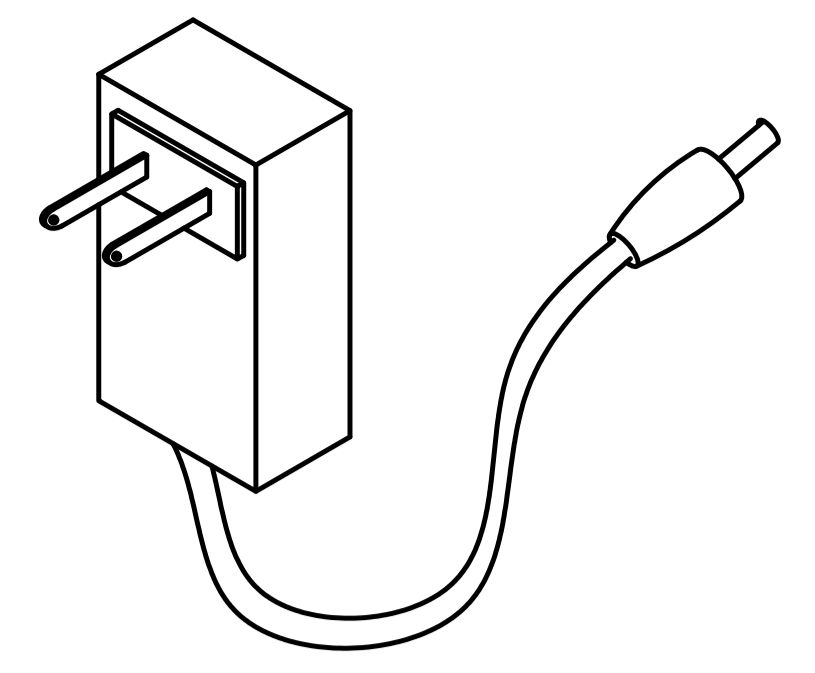


Fix the table to the wall

4x45mm



Step 71



x1

The bedside table supports wireless charging ,
It can be charged by placing a mobile phone
that supports wireless charging

